

GENERAC[®]
Portable Products

by



2700 PSI



Pressure Washer Owner's Manual

Questions? Help is just a moment away!

Call: **Generac Pressure Washer Helpline - 1-800-270-1408** M-F 8-5 CT

Web: www.generac-portables.com or www.briggsandstratton.com


Model No. 1676-0,2 (2700 PSI Pressure Washer) Manual No. 190193GS Revision 6 (12/03/2002)



TABLE OF CONTENTS


Safety Rules 2-3
 Know Your Pressure Washer 4
 Assembly 5-8
 Operation 8-11
 Product Specifications 12
 Maintenance 12-14
 Storage 14
 Troubleshooting 15
 Replacement Parts 16-19
 Warranty Last Page


EQUIPMENT DESCRIPTION

 **Read this manual carefully and become familiar with your pressure washer. Know its applications, its limitations and any hazards involved.**

Every effort has been made to ensure that information in this manual is accurate and current. However, Generac reserves the right to change, alter or otherwise improve the product and this document at any time without prior notice.

SAFETY RULES


 **This is the safety alert symbol. It is used to alert you to potential personal injury hazards. Obey all safety messages that follow this symbol to avoid possible injury or death.**


The safety alert symbol () is used with a signal word (DANGER, CAUTION, WARNING), a pictorial and/or a safety message to alert you to hazards. **DANGER** indicates a hazard which, if not avoided, *will* result in death or serious injury. **WARNING** indicates a hazard which, if not avoided, *could* result in death or serious injury. **CAUTION** indicates a hazard which, if not avoided, *might* result in minor or moderate injury. **CAUTION**, when used **without** the alert symbol, indicates a situation that could result in equipment damage. Follow safety messages to avoid or reduce the risk of injury or death.

In the State of California a spark arrester is required by law (Section 4442 of the California Public Resources Code). Other states may have similar laws. Federal laws apply on federal lands. If you equip the muffler with a spark arrester, it must be maintained in effective working order.

 **WARNING**

The engine exhaust from this product contains chemicals known to the State of California to cause cancer, birth defects, or other reproductive harm.


 **DANGER**


 Running engine gives off carbon monoxide, an odorless, colorless, poison gas.

Some chemicals or detergents may be harmful if inhaled or ingested, causing severe nausea, fainting or poisoning.


Breathing carbon monoxide will cause nausea, fainting or death.


- Operate pressure washer **ONLY** outdoors.
- Use a respirator or mask whenever there is a chance that vapors may be inhaled.
- Read all instructions with mask so you are certain the mask will provide the necessary protection against inhaling harmful vapors.


 **WARNING**

 Spray contact with electrical wiring can result in electrocution.

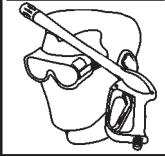
- Keep water spray away from electric wiring or fatal electric shock may result.

 **WARNING**

 Use of pressure washer can create puddles and slippery surfaces.

 High pressure spray could cause you to fall if you are too close to the cleaning surface.

- Keep spray nozzle between 8 to 24 inches away from cleaning surface.
- Operate this unit on a stable surface.
- The cleaning area should have adequate slopes and drainage to reduce the possibility of a fall due to slippery surfaces.
- Be extremely careful if you must use the pressure washer from a ladder, scaffolding or any other relatively unstable location.
- Firmly grasp spray gun with both hands when using high pressure spray to avoid injury if gun kicks back.

SAFETY RULES

Generac 2700 PSI Pressure Washer

GENERAC
Portable Productsby **Briggs & Stratton**
POWER PRODUCTS**! WARNING**

Fuel and its vapors are extremely flammable and explosive.



Fire or explosion can cause severe burns or death.

WHEN ADDING FUEL

- Turn pressure washer OFF and let it cool at least 2 minutes before removing gas cap.
- Fill fuel tank outdoors.
- DO NOT overfill tank. Allow space for fuel expansion.
- Keep fuel away from sparks, open flames, pilot lights, heat, and other ignition sources.
- DO NOT light a cigarette or smoke.

WHEN OPERATING EQUIPMENT

- DO NOT tip engine or equipment at angle which causes fuel to spill.
- DO NOT spray flammable liquids.

WHEN TRANSPORTING OR REPAIRING EQUIPMENT

- Transport/repair with fuel tank EMPTY or with fuel shutoff valve OFF.

WHEN STORING FUEL OR EQUIPMENT WITH FUEL IN TANK

- Store away from furnaces, stoves, water heaters, clothes dryers or other appliances that have pilot light or other ignition source because they can ignite fuel vapors.

! WARNING

The high pressure stream of water that this equipment produces can pierce skin and its underlying tissues, leading to serious injury and possible amputation.

- NEVER aim the spray gun at people, animals or plants.
- DO NOT allow CHILDREN to operate the pressure washer.
- NEVER repair high pressure hose. Replace it.

! WARNING

Running engines produce heat. Temperature of muffler and nearby areas can reach or exceed 150°F (65°C).

Severe burns can occur on contact.

- DO NOT touch hot surfaces.
- Allow equipment to cool before touching.

! WARNING

Starter and other rotating parts can entangle hands, hair, clothing, or accessories.

- DO NOT wear loose clothing, jewelry or anything that may be caught in the starter or other rotating parts.
- Tie up long hair and remove jewelry.

! WARNING

High pressure spray can cause paint chips or other particles to become airborne.

- Always wear eye protection when you use this equipment or when you are in the vicinity where the equipment is in use.

! WARNING

Unintentional sparking can result in fire or electric shock.

**WHEN ADJUSTING OR MAKING REPAIRS TO YOUR PRESSURE WASHER**

- Disconnect the spark plug wire from the spark plug and place the wire where it cannot contact spark plug.

! CAUTION

Excessively high or low operating speeds increase risk of injury and damage to pressure washer.

- DO NOT tamper with governed speed.
- DO NOT operate the pressure washer above the rated pressure.

CAUTION

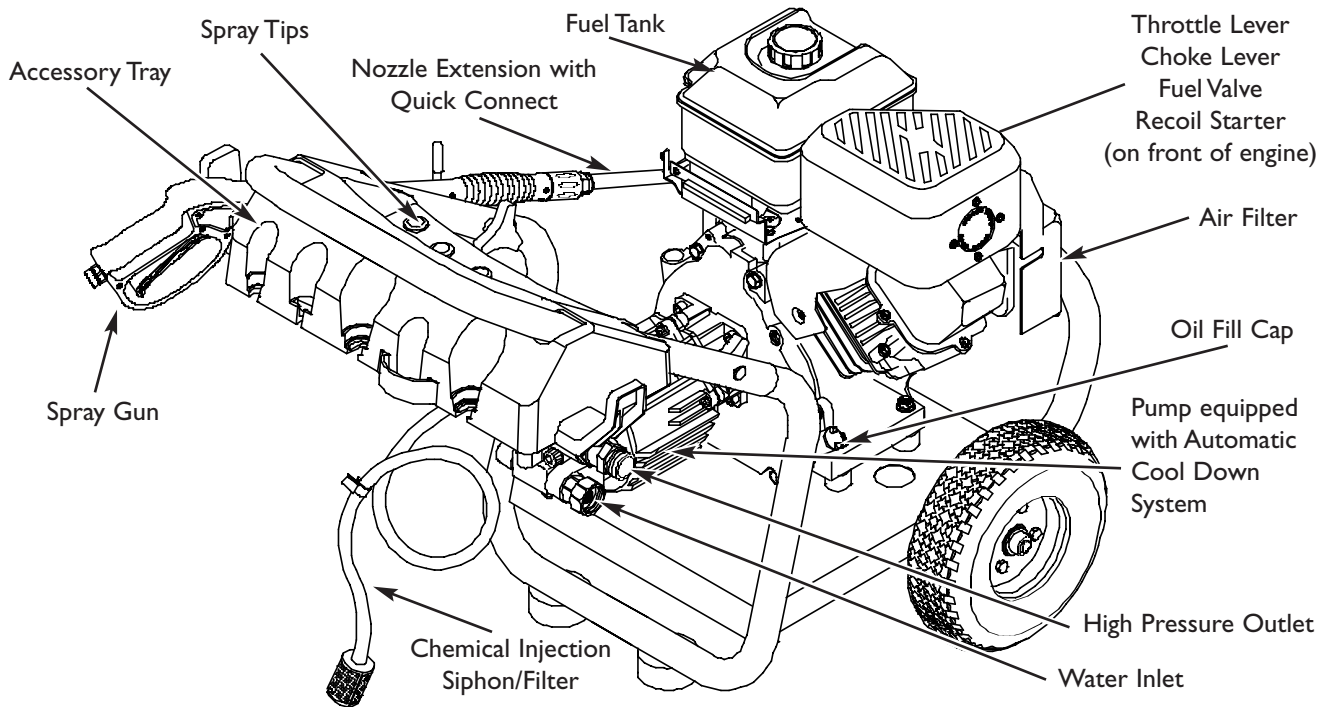
High pressure spray may damage fragile items including glass.

- DO NOT point spray gun at glass when in the jet spray mode.
- NEVER aim the spray gun at plants.

KNOW YOUR PRESSURE WASHER

Read this owner's manual and safety rules before operating your high pressure washer.

Compare the illustrations with your high pressure washer to familiarize yourself with the locations of various controls and adjustments. Save this manual for future reference.



Accessory Tray — Provides convenient storage for standard and optional accessories, such as brushes, turbo wands, ect.

Air Filter — Protects engine by filtering dust and debris out of intake air.

Automatic Cool Down System — Cycles water through pump when water reaches 125°-155°F. Warm water will discharge from pump onto ground. This system prevents internal pump damage.

Chemical Injection Siphon/Filter — Use to siphon detergent or other pressure washer chemicals into the low pressure stream.

Choke Lever — Prepares a cold engine for starting.

Fuel Tank — Fill tank with regular unleaded gasoline. Always leave room for fuel expansion.

Fuel Valve — Used to turn fuel on and off to engine.

High Pressure Hose (not shown) — Connect one end to the water pump and the other end to the spray gun.

High Pressure Outlet — To connect high pressure hose.

Nozzle Extension with Quick Connect — Allows you to switch between four different spray nozzles.

Oil Fill Cap — Fill engine with oil here.

Pump — Develops high pressure.

Recoil Starter — Use for starting the engine manually.

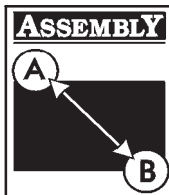
Safety Goggles (not shown) — Always use the enclosed goggles or other eye protection when running your pressure washer.

Spray Gun — Controls the application of water onto cleaning surface with trigger device. Includes safety latch.

Spray Tips — Chemical injection, 0°, 15°, 25°, and 40°: for various high pressure cleaning applications.

Throttle Lever — Sets engine in starting mode for recoil starter and stops a running engine.

Water Inlet — Connect garden hose here.



IMPORTANT: Read entire owner's manual before you attempt to assemble or operate your new pressure washer.

REMOVE PRESSURE WASHER FROM CARTON

- Remove the parts bag packed with pressure washer.
- Slice two corners at the end of carton from top to bottom so the panel can be folded down flat, then remove all packing material.
- Roll pressure washer out of carton.

Carton Contents

Items in the carton include:

- Main Unit
- Safety Goggles
- Handle
- Plastic Accessory Tray
- High Pressure Hose
- Spray Gun
- Nozzle Extension with Quick Connect Fitting
- Oil Bottle
- Parts Bag (which includes the following):
 - Owner's Manual
 - Engine Manual
 - Owner's Registration Card
 - Bag containing 5 multi-colored Quick Connect Spray Tips
 - Maintenance Kit
 - Handle Fastening Hardware Kit (which includes):
 - Carriage Bolt
 - "L" Bolt
 - Plastic Knobs (2)
 - "J" Hook
 - Chemical Hose Clip
 - Self Tapping Screws (5)

If any of the above parts are missing or damaged, call the pressure washer helpline at **1-800-270-1408**.

PREPARING PRESSURE WASHER FOR USE

If you have any problems with the assembly of your pressure washer or if parts are missing or damaged, call the pressure washer helpline at **1-800-270-1408**.

To prepare your pressure washer for operation, you will need to perform these tasks:

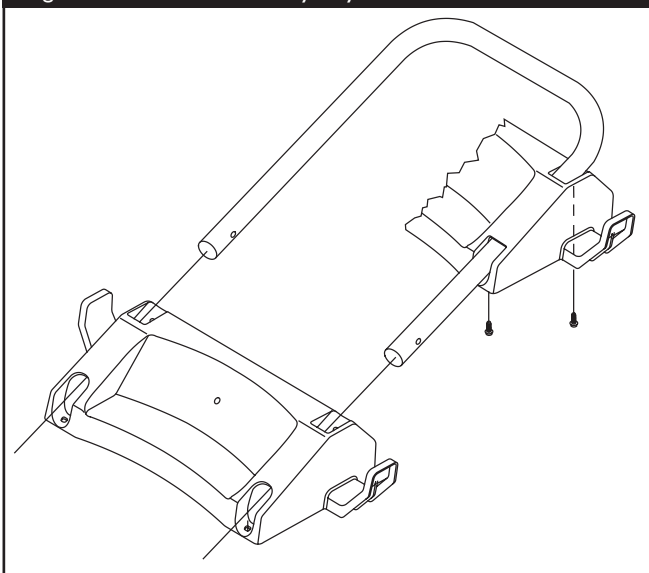
- Fill out and send in registration card.
- Attach accessory tray to handle, then attach handle to main unit.
- Add oil to engine crankcase.
- Add fuel to fuel tank.
- Connect high pressure hose to spray gun and pump.
- Connect water supply to pump.
- Attach nozzle extension to spray gun.
- Select/attach quick connect spray tip to nozzle extension.

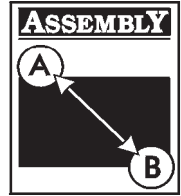
Attach Handle and Accessory Tray

NOTE: All assembly operations given in this section will be described from the perspective of assembling the pressure washer from the rear.

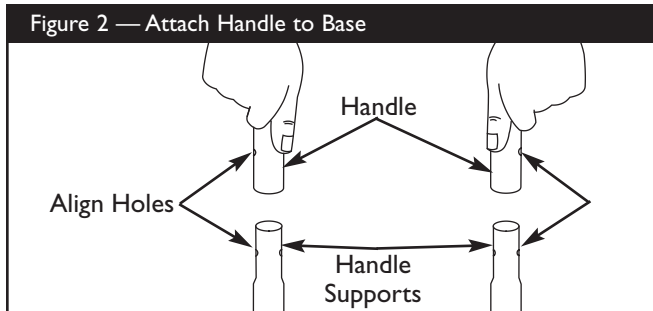
- Slide the plastic accessory tray onto the handle and align the holes in the accessory tray with the holes on the handle (Figure 1).

Figure 1 — Attach Accessory Tray



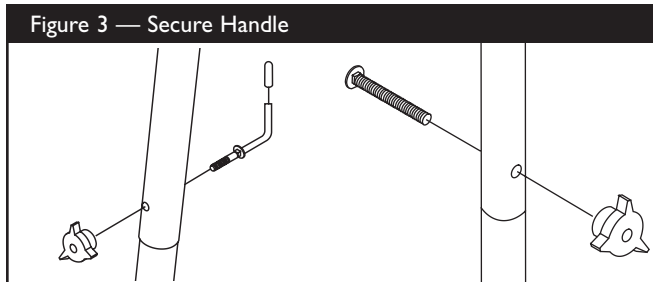


- Secure tray to handle with self tapping screws using a #2 phillips screwdriver. Ensure screws are tight but not crushing the plastic accessory tray.
- Place the handle assembly onto the handle supports connected to the main unit. Make sure the holes in the handle align with the holes on the handle supports (Figure 2).

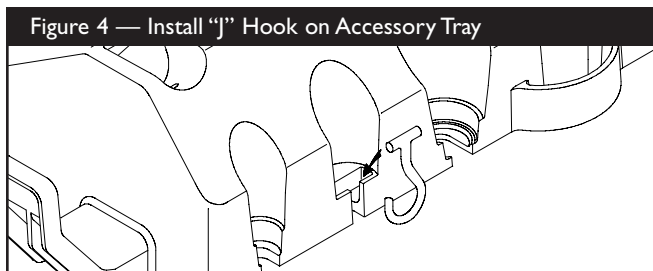


NOTE: It may be necessary to move the handle supports from side to side in order to align the handle so it will slide over the handle supports.

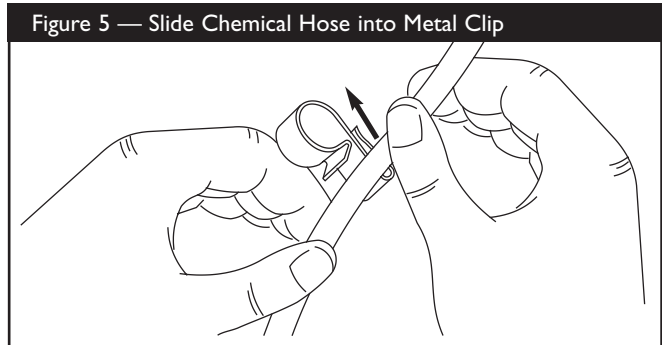
- Insert the “L” bolt through the hole on the left side of the handle (viewing from handle side of unit) and attach the plastic knob. Tighten the knob by hand (Figure 3).



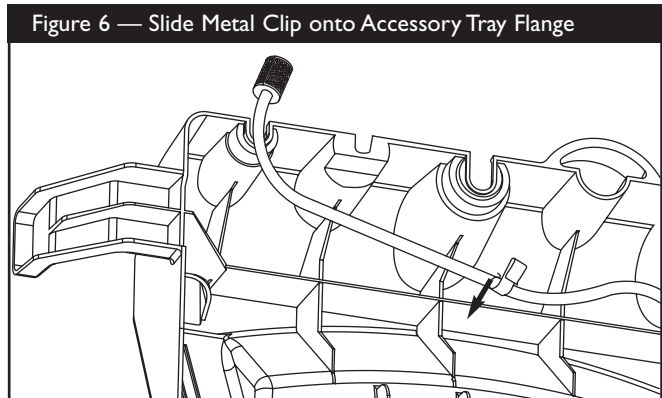
- Insert the carriage bolt through the right side hole from the outside of the unit and attach a plastic knob from the inside of the unit (viewing unit from the handle side). Tighten by hand (Figure 3).
- Insert the “J” hook into the second from the left slot in the accessory tray (Figure 4).



- Pinch the chemical hose and slide it into the metal clip as shown in Figure 5.



- Tilt the unit up by the handle and attach the metal clip to the rib on the center underside of the accessory tray (Figure 6). Slide the chemical hose through the metal clip so that it is tight but not kinked.



Add Engine Oil

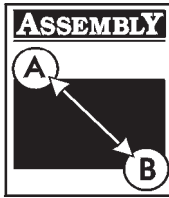
IMPORTANT: Any attempt to crank or start the engine before it has been properly serviced with the recommended oil may result in an engine failure.

- Place pressure washer on a level surface.
- Refer to the engine owners manual to add recommended oil to engine.

NOTE: Check oil often during engine break-in. Refer to engine owner’s manual for recommendations.

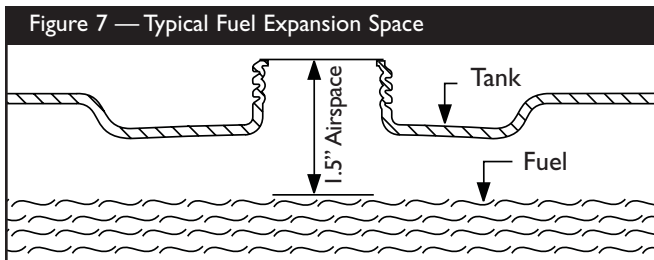
Add Gasoline

! WARNING! NEVER fill fuel tank indoors. NEVER fill fuel tank when engine is running or hot. Allow unit to cool for two minutes before refueling. DO NOT light a cigarette or smoke when filling the fuel tank.



WARNING! NEVER fill fuel tank completely full. Provide space for fuel expansion. Wipe away any fuel spillage from engine and equipment before starting.

- Use fresh, clean unleaded automotive gasoline and store in approved, clean, covered containers. Use clean fill funnels. NEVER use “stale” gasoline left over from last season or gasoline stored for long periods.
- Clean area around fuel fill cap, remove cap.
- Slowly add "UNLEADED" regular gasoline to fuel tank. Use a funnel to prevent spillage. Slowly fill tank to about 1.5" below the bottom of the filler neck (Figure 7).



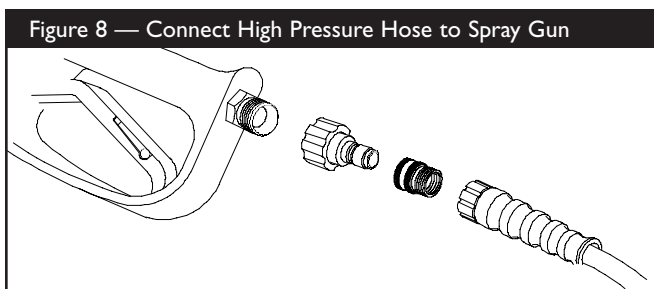
- Install fuel cap and wipe up any spilled gasoline.

Connect Hose and Water Supply to Pump

IMPORTANT: You must assemble the nozzle extension and attach all hoses before you start the engine. Starting engine without all hoses connected and water supplied will damage the pump.

NOTE: Your pressure washer comes with a quick connect that you can use to attach the high pressure hose to either the spray gun or pump.

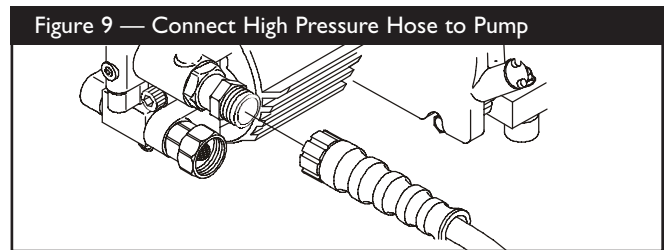
- Uncoil the high pressure hose and attach the female quick connect to one end of the hose. Attach the male quick connect to the gun (Figure 8).



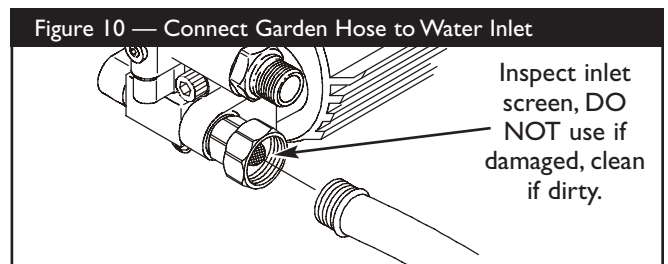
- Attach the end of the hose to the base of the spray gun (Figure 8). Pull down on the collar of the quick connect, slide fitting into the pump and let go of collar. Pull on hose to be sure of a tight connection.

NOTE: The quick connect is shown connecting the high pressure hose to the spray gun. If you choose to use the quick connect for the hose to pump connection, follow the same directions to attach quick connect from hose to pump.

- Attach the other end of the high pressure hose to the high pressure outlet on the pump (Figure 9). Tighten by hand.



- Before you connect your garden hose to the water inlet, inspect the inlet screen (Figure 10). Clean the screen if it contains debris, replace it if it is damaged. **DO NOT RUN THE PRESSURE WASHER IF THE SCREEN IS DAMAGED.**



- Run water through the garden hose for 30 seconds to clean out any debris. Turn off water.

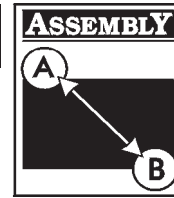
IMPORTANT: DO NOT siphon standing water for the water supply. Use ONLY cold water (less than 100°F).

- Connect the garden hose (not to exceed 50 feet in length) to the water inlet. Tighten by hand (Figure 10).

CAUTION! There MUST be at least ten feet of unrestricted garden hose between the pressure washer inlet and any flow shut off device, such as a ‘Y’ shut-off connector or other convenience-type water shut-off valve. Damage to pressure washer resulting from disregarding this caution will not be covered by the warranty.

- Turn ON the water and squeeze the trigger on the spray gun to purge the pump system of air and impurities.

CAUTION! Before starting the pressure washer, be sure you are wearing adequate eye protection.



Checklist Before Starting Engine

Review the unit's assembly to confirm you have performed all of the following:

- Make sure the handle is in place and secure.
- Check that oil has been added to the proper level in the engine crankcase.
- Add the proper gasoline to fuel tank.
- Check for properly attached hose connections.
- Check to make sure that there are no kinks, cuts, or damage to the high pressure hose.
- Provide a proper water supply at an adequate flow.
- Be sure to read "Safety Rules" and "How To Use Your Pressure Washer" before using the pressure washer.

HOW TO USE YOUR PRESSURE WASHER

If you have any problems operating your pressure washer, please call the pressure washer helpline at **1-800-270-1408**.

To Start Your Pressure Washer

To start your pressure washer for the first time, follow these instructions step-by-step. This starting information also applies if you have let the pressure washer sit idle for at least a day.

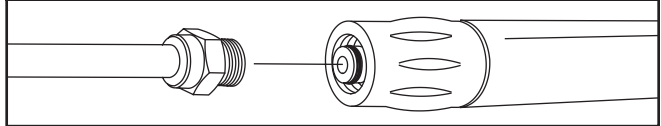
- Place the pressure washer near an outside water source capable of supplying water at a flow rate greater than 3.5 gallons per minute and no less than 20 PSI at the pressure washer end of the garden hose.
- Check that the high pressure hose is connected to the spray gun and to the pump. See "Preparing Pressure Washer for Use" for illustrations.
- Make sure unit is in a level position.
- Connect the garden hose to the water inlet on the pressure washer pump. **Turn ON the water.**

CAUTION! DO NOT run the pump without the water supply connected and turned on. You must follow this caution or the pump will be damaged.

- Squeeze the trigger on the gun until you have a steady stream of water. This purges the pump of air and impurities.

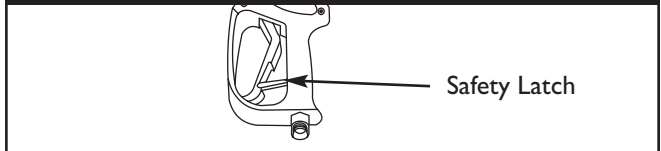
- Attach the nozzle extension to the spray gun (Figure 11). Tighten by hand.

Figure 11 — Connect Nozzle Extension to Spray Gun



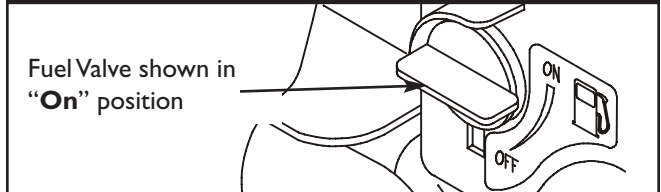
- Choose the spray tip you want to use and insert it into the nozzle extension. See "How to Use the Spray Tips" on page 10.
- Engage the safety latch to the spray gun trigger (Figure 12).

Figure 12 — Spray Gun with Safety Latch Engaged



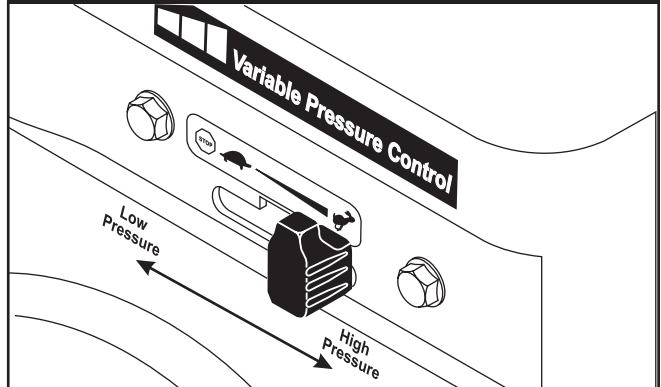
- Rotate the fuel shut-off valve to the "On" position (fully counter-clockwise) (Figure 13).

Figure 13 - Fuel Valve



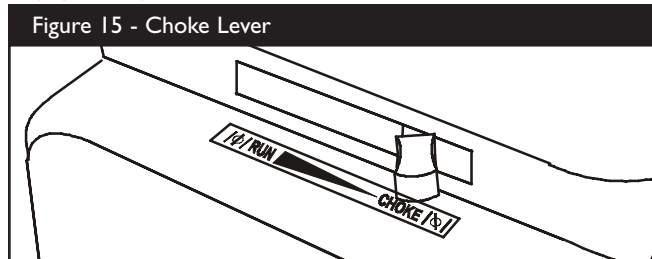
- Move the variable pressure control lever to "High" position, shown on engine as a rabbit (Figure 14).

Figure 14 - Variable Pressure Control Lever





- Move the choke lever to the “**Choke**” position (Figure 15).



NOTE: For a warm engine, be sure the choke lever is in the “**Run**” position.

- Grasp the unit’s handle with your left hand. Pull the starter grip lightly with your right hand until you feel some resistance, then pull briskly.
- Return the starter grip handle slowly. **Do Not** let rope “snap back” against starter.
- When engine starts, slowly move choke lever to the “**Run**” position. If engine falters, move choke lever to the “**Choke**” position, then to the “**Run**” position.
- If engine fails to start after six pulls, move choke lever to the “**Run**” position. If engine fires, but does not continue to run, move choke lever to the “**Run**” position.

NOTE: If the recoil starter is hard to pull, it may be necessary to squeeze the gun trigger to relieve internal pump pressure.

How to Stop Your Pressure Washer

- Move variable pressure control lever to “**Stop**” position.
- Turn the fuel shut-off valve to the “**Off**” position (fully clockwise).
- **Squeeze trigger on the spray gun to relieve pressure in the hose.**

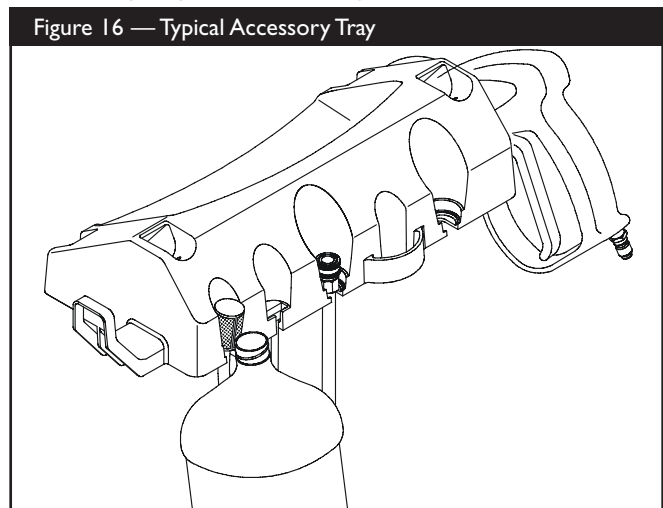
NOTE: A small amount of water will squirt out when you release the pressure.

How to Use Accessory Tray

The unit is equipped with an accessory tray with places to store your nozzle extension and quick connect spray tips, and slots to hold the cleaning solution bottle and the detergent siphoning filter. There are also two hooks at the ends of the handle to hold your spray gun and high pressure hose.

NOTE: The extra holes in the tray are for storing a brush and a turbo wand. The brush and turbo wand are **NOT** included with your pressure washer. You can buy these items as optional accessories.

- Place the nozzle extension through the hole on the accessory tray, as shown in Figure 16.



- Hang your chemical solution bottle on the “**J**” hook and place the detergent siphoning filter in the last slot on the left (Figure 16).
- Place the spray gun on the hook attached to the accessory tray on the right side of the unit (Figure 16).
- Hang the high pressure hose on the hook attached to the accessory tray on the left side of the unit as shown on page 4.

How to Use the Spray Tips

CAUTION! NEVER exchange spray tips without locking the safety latch on the trigger.

The quick-connect on the nozzle extension allows you to switch between five different spray tips. The spray tips vary the spray pattern as shown below (Figure 17).

Follow these instructions to change spray tips:

- Engage the safety latch on the spray gun.
- Pull back the collar on the quick-connect and pull the current spray tip off. Store the spray tips in the space provided on the handles storage panel.

NOTE: For a more gentle rinse, select the white 40° or green 25° spray tip. To scour the surface, select the yellow 15° or red 0° spray tip. To apply chemical, select the black spray tip.

- Pull back on the collar, insert the new spray tip and release the collar. Tug on the spray tip to make sure it is securely in place.
- For most effective cleaning, keep the spray tip from 8 to 24 inches away from the cleaning surface. If you get the spray tip too close, you may damage the cleaning surface.
- DO NOT get closer than 6 inches when cleaning tires.

Cleaning and Applying Chemical

CAUTION! You must **attach all hoses** before you start the engine. Starting the engine without all the hoses connected and without the water turned ON will damage the pump.

IMPORTANT: Use soaps designed specifically for pressure washers. Household detergents could damage the pump.

To apply detergent follow these steps:

- Review the use of the spray tips.
- Prepare the detergent solution as required by the manufacturer.
- Hang the detergent solution on the “J” hook attached to the accessory tray, as shown in Figure 18.

Figure 18 — Insert Filter into Container

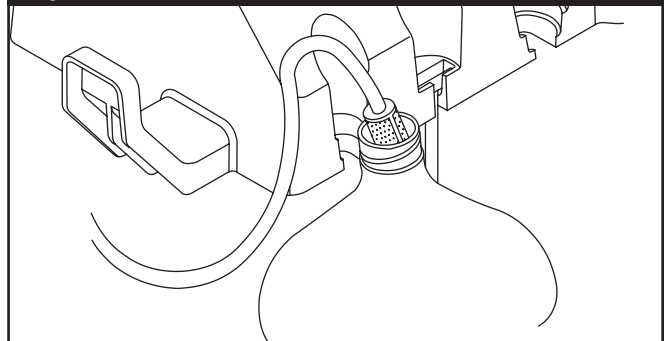
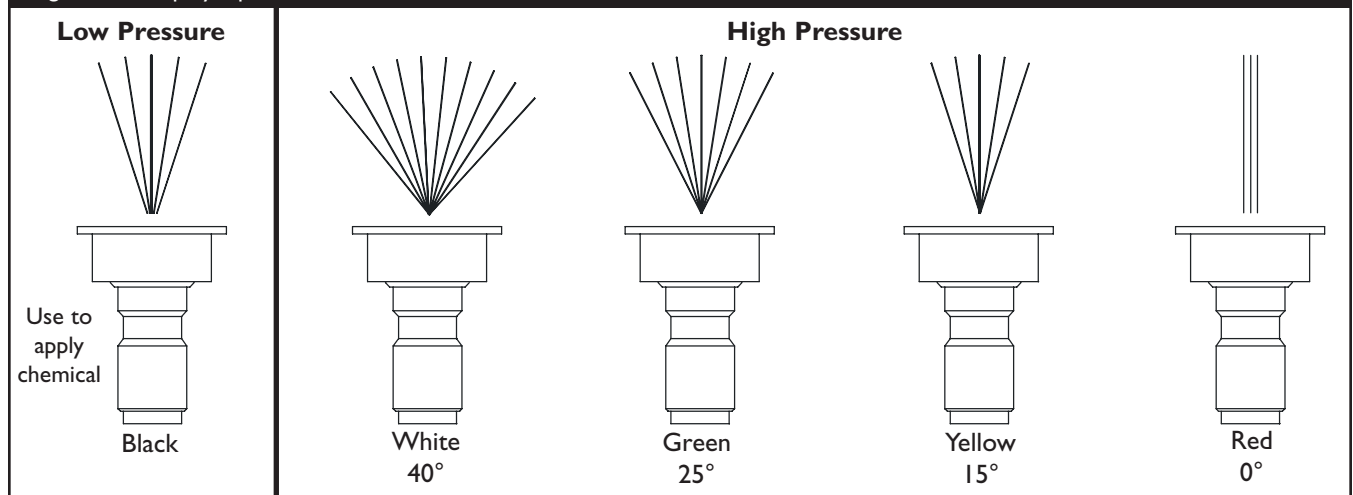


Figure 17 — Spray Tips





- Place the small filter end of the detergent siphoning tube into the detergent container.

CAUTION! Keep the chemical injection tube from coming in contact with the hot muffler.

- Make sure the black spray tip is installed.

NOTE: Detergent cannot be applied with the high pressure spray tips (White, Green, Yellow, or Red).

- Make sure the garden hose is connected to the water inlet. Check that the high pressure hose is connected to the spray gun and the pump and start the engine.
- Apply the detergent to a dry surface, starting at lower portion of area to be washed and work upward, using long, even, overlapping strokes.
- Allow the detergent to soak in between 3–5 minutes before washing and rinsing. Reapply as needed to prevent surface from drying. **DO NOT** allow the detergent to dry on (prevents streaking).

IMPORTANT: You must flush the chemical injection system after each use by placing the filter into a bucket of clean water; then run the pressure washer in low pressure for 1-2 minutes.

Pressure Washer Rinsing

WARNING! Be extremely careful if you must use the pressure washer from a ladder, scaffolding or any other relatively unstable location. When you press the trigger, the recoil from the initial spray can be very strong. The high pressure spray could cause you to fall if you are too close to the cleaning surface.

Wash and Rinse Surface

This pressure washer permits regulation of output water pressure by varying the engine speed. The variable pressure control lever found on the front of the engine may be set, as shown in Figure 19:

Figure 19 - Variable Pressure Control

Pressure	Low	to	High
Duty	Light	Medium	Heavy
Application	Auto Boat Furniture	Concrete Driveway Deck	Paint removal Degreasing

After you have applied detergent, scour the surface and rinse it clean as follows:

- Apply safety latch to spray gun.
- Remove the black chemical spray tip from the nozzle extension.
- Select and install the desired high pressure spray tip following the instructions “How to Use the Spray Tips” on page 10.
- Keep the spray gun a safe distance from the area you plan to spray.
- Adjust the spray pressure by sliding the variable pressure control lever left or right, as shown in Figure 14 on page 8.

CAUTION! Firmly grasp spray gun with both hands when using high pressure spray to avoid injury if gun kicks back.

- Apply a high pressure spray to a small area and then check the surface for damage. If no damage is found, you can assume it is okay to continue rinsing.
- Start at the top of the area to be rinsed, working down with same overlapping strokes as you used for cleaning.

Automatic Cool Down System (Thermal Relief)

If you run the engine on your pressure washer for 3-5 minutes without pressing the trigger on the spray gun, circulating water in the pump can reach a temperature between 125°–155°F. At this temperature, the system engages and cools the pump by **discharging the warm water onto the ground**. This system prevents internal damage to the pump.



SPECIFICATIONS

- Rated Pressure** 2700 psi
- Flow Rate** 2.5 gallons per minute (gpm)
- Detergent** Use detergent approved for pressure washers
- Water Supply Temp** . Not to Exceed 100°F
- Automatic Cool Down System** Will cycle when water reaches 125°-155°F
- Shipping Weight** 90 lbs.

GENERAL MAINTENANCE RECOMMENDATIONS

The pressure washer warranty does not cover items that have been subjected to operator abuse or negligence. To receive full value from the warranty, the operator must maintain the high pressure washer as instructed in this manual.

- Some adjustments will need to be made periodically to properly maintain your high pressure washer. Check the spray gun and adjustable nozzle extension assembly for wear.
- All maintenance in this manual and the engine owner’s manual should be made at least once each season.
- Once a year you should clean or replace the spark plug, clean or replace the air filter. A new spark plug and clean air filter assure proper fuel-air mixture and help your engine run better and last longer. Please refer to your engine owner’s manual for more details.
- If equipped with inflatable tires, keep the air pressure within 5 and 40 PSI.

Before Each Use

- Check engine oil level.
- Check water inlet screen for damage.
- Check in-line filter for damage.
- Check high pressure hose for leaks.
- Check detergent siphoning tube and filter for damage.
- Check spray gun and nozzle extension assembly for leaks.
- Rinse out garden hose to flush out debris **before** connecting to pressure washer.

PRESSURE WASHER MAINTENANCE

Check and Clean Inlet Screen

Examine the screen on the water inlet. Clean it if the screen is clogged or replace it if screen is damaged.

Check High Pressure Hose

The high pressure hose can develop leaks from wear, kinking, or abuse. Inspect the hose each time before using it. Check for cuts, leaks, abrasions or bulging of cover, damage or movement of couplings. If any of these conditions exist, replace the hose immediately.

CAUTION! Water spraying from a leak is capable of injecting material into skin. Inspect hose each time before using it. NEVER repair a high pressure hose. Replace it with another hose that exceeds the maximum pressure rating of your pressure washer.

Check Detergent Siphoning Tube

Examine the filter on the detergent tube and clean if clogged. The tube should fit tightly on the barbed fitting. Examine the tube for leaks or tears. Replace the filter or tube if either is damaged.

Cleaning Detergent Siphoning Tube

If you used the detergent siphoning tube, you must flush it with clean water before stopping the engine.

- Place the chemical injection siphon/filter in a bucket full of clean water.
- Attach the black low pressure spray tip.
- Flush for 1-2 minutes.
- Shut off the engine.

IMPORTANT: Simply shutting **OFF** engine will not release pressure in the system. **When the engine has shut down, squeeze the trigger on the spray gun to relieve the pressure in the hose.**

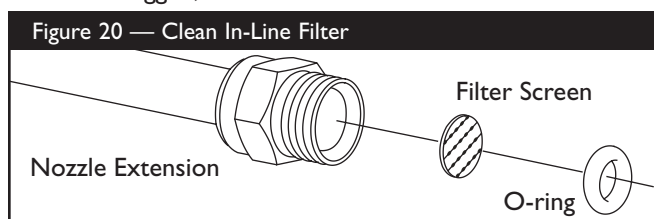


Check Gun and Nozzle Extension

Examine the hose connection to the spray gun and make sure it is secure. Test the trigger by pressing it and making sure it “springs back” into place when you release it. Put the safety latch in the ON position and test the trigger. You should not be able to press the trigger.

Check In-Line Filter

Refer to Figure 20 and service the in-line filter if it becomes clogged, as follows:



1. Detach spray gun and nozzle extension from high pressure hose. Detach nozzle extension from spray gun and remove o-ring and screen from nozzle extension. Flush the screen, spray gun, and adjustable nozzle extension with clean water to clear debris.
2. If the screen is damaged, the o-ring kit contains a replacement in-line filter screen and an o-ring. If undamaged, reuse screen.
3. Place the in-line filter screen into the threaded end of the nozzle extension. Direction does not matter. Push the screen in with the eraser end of a pencil until it rests flat at the bottom of the opening. Take care to not bend the screen.
4. Place the o-ring into the recess. Push the o-ring snugly against the in-line filter screen.
5. Assemble the nozzle extension to the spray gun, as described earlier in this manual.

Purge Pump of Air and Contaminants

To remove air from the pump, follow these steps:

- Set up the pressure washer as described in “Preparing Pressure Washer For Use”. Connect the water supply and turn water on.
- Pull the trigger on the spray gun and hold.
- When the water supply is steady and constant, engage the safety latch.

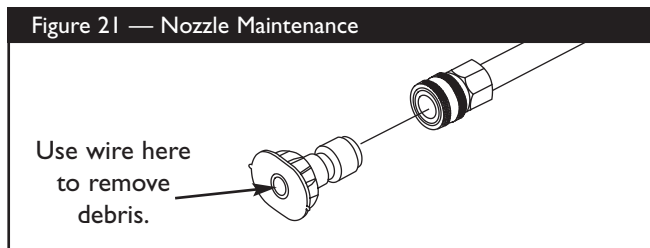
To remove contaminants from the pump, follow these steps:

- Set up the pressure washer as described in “Preparing Pressure Washer For Use”. Connect the water supply and turn water on.
- Start the engine according to instructions in “To Start Your Pressure Washer”.
- Remove nozzle extension from spray gun.
- Squeeze the trigger on the spray gun and hold.
- When the water supply is steady and constant, engage the safety latch and reattach the nozzle extension.

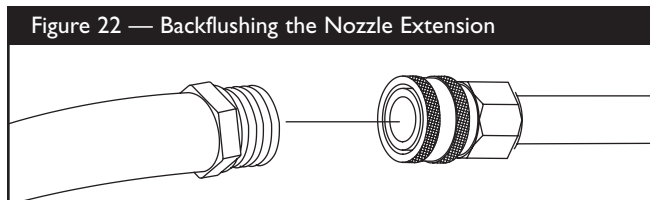
Nozzle Maintenance

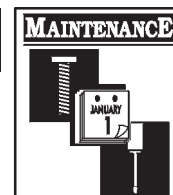
A pulsing sensation felt while squeezing the spray gun trigger may be caused by excessive pump pressure. The principal cause of excessive pump pressure is a spray tip clogged or restricted with foreign materials, such as dirt, etc. To correct the problem, immediately clean the spray tip using the tools included with your pressure washer and follow these instructions:

1. Shut off the engine and turn off the water supply.
2. Remove the spray tip from the end of the nozzle extension (Figure 21).



3. Remove the in-line filter from the other end of the nozzle extension.
4. Use the wire included in the kit (or a small paper clip) to free any foreign material clogging or restricting the spray tip (Figure 21).
5. Using a garden hose, remove additional debris by back flushing water through the nozzle extension (Figure 22). Back flush between 30 to 60 seconds.





6. Reinstall the spray tip and in-line filter into the nozzle extension.
7. Reconnect the nozzle extension to the spray gun.
8. Reconnect the water supply, turn on the water, and start the engine.
9. Test the pressure washer by operating with each of the Quick Connect spray tips.

O-Ring Maintenance

Through the normal operation of your pressure washer, o-rings, which keep the connections of the hoses and spray gun tight and leak-free, may become worn or damaged.

Provided with your pressure washer is an O-Ring Maintenance Kit which includes replacement o-rings, rubber washer and water inlet filter. Refer to the instruction sheet provided in the kit to service your unit's o-rings. Note that not all of the parts in the kit will be used on your unit.

To remove a worn or damaged o-ring:

- Use a small flathead screwdriver to get underneath the o-ring and pry it off.

ENGINE MAINTENANCE

See the engine owner's manual for instructions on how to properly maintain the engine.



CAUTION! Avoid prolonged or repeated skin contact with used motor oil. Used motor oil has been shown to cause skin cancer in certain laboratory animals. Thoroughly wash exposed areas with soap and water.

KEEP OUT OF REACH OF CHILDREN. DON'T POLLUTE. CONSERVE RESOURCES. RETURN USED OIL TO COLLECTION CENTERS.

PREPARING THE UNIT FOR STORAGE

Water should not remain in the unit for long periods of time. Sediments or minerals can deposit on pump parts and "freeze" pump action. If you do not plan to use the pressure washer for more than 30 days, follow this procedure:

1. Flush detergent siphoning tube by placing the filter into a pail of clean water while running pressure washer in low pressure mode. Flush for one to two minutes.
2. Shut off the engine and let it cool, then remove high pressure and garden hoses. Disconnect spark plug wire from spark plug.
3. Empty the pump of liquids by pulling the engine recoil handle about 6 times. This should remove most of the liquid in the pump.
4. Use Generac brand pump saver to prevent corrosion build up and freezing of pump.
5. Store unit in a clean, dry area.

Protecting the Pump

To protect the pump from damage caused by mineral deposits or freezing, use the Generac PumpSaver to treat pump. This prevents freeze damage and lubricates pistons and seals.

NOTE: Generac PumpSaver, model number 01559, is available as an optional accessory. It is not included with the pressure washer.

CAUTION! You must protect your unit from freezing temperatures. Failure to do so will permanently damage your pump and render your unit inoperable. Freeze damage is not covered under warranty.



CAUTION! Read and follow all cautions and warnings on the PumpSaver can label. Always wear eye protection when using PumpSaver.

To use PumpSaver, make sure the pressure washer is turned off and disconnected from supply water. Read and follow all instructions and warnings given on the PumpSaver container.

NOTE: PumpSaver will drip from pump after treatment and will stain wood and concrete.

NOTE: If PumpSaver is not available, draw RV antifreeze (non-alcohol) into the pump by pouring the solution into a 3-foot section of garden hose connected to inlet adapter and pulling recoil handle twice.

STORING THE ENGINE

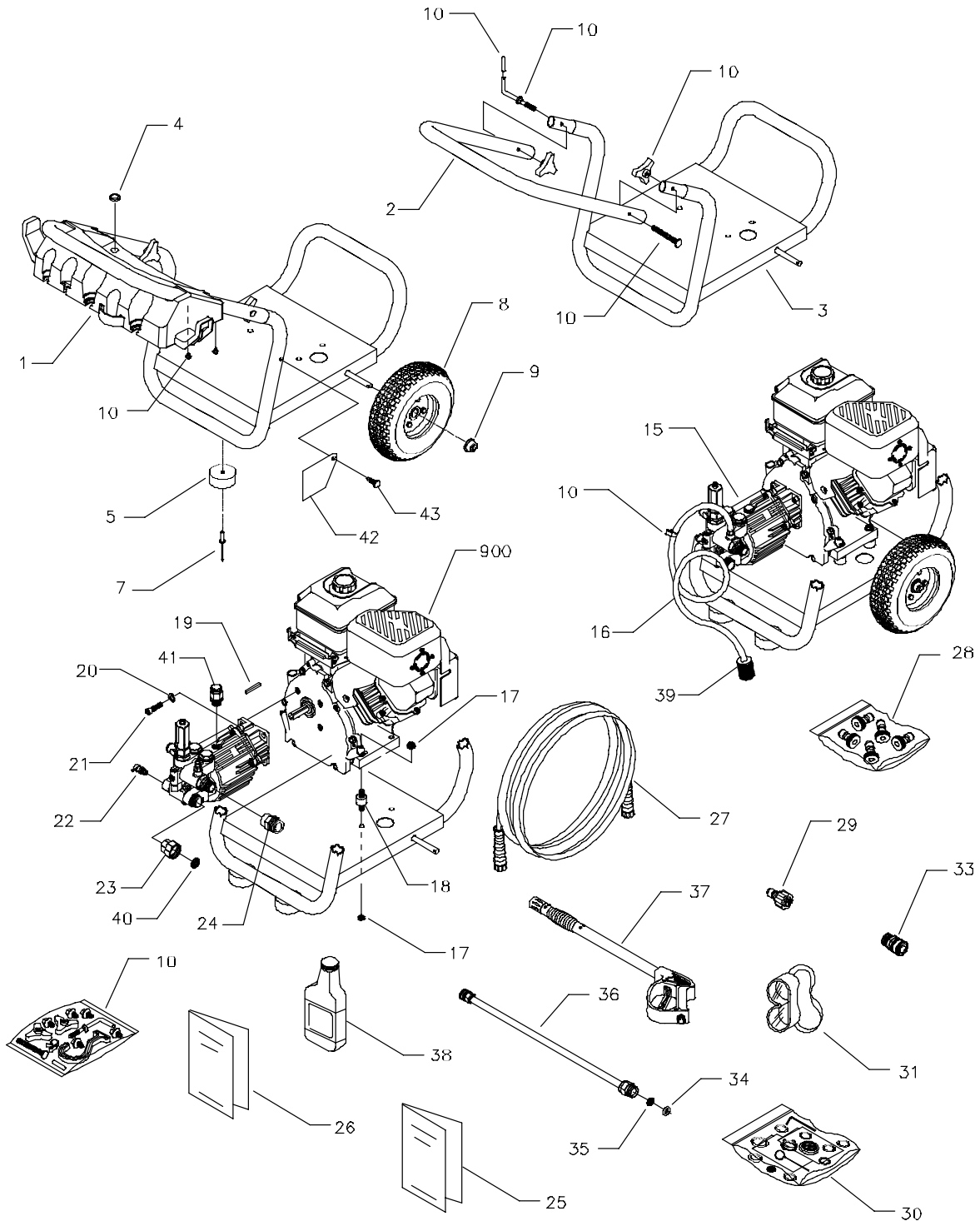
See the engine owner's manual for instructions on how to properly prepare the engine for storage.

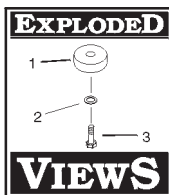


TROUBLESHOOTING

Problem	Cause	Correction
Pump has following problems: failure to produce pressure, erratic pressure, chattering, loss of pressure, low water volume.	<ol style="list-style-type: none"> 1. Low pressure spray tip installed. 2. Water inlet is blocked. 3. Inadequate water supply. 4. Inlet hose is kinked or leaking. 5. Clogged inlet hose strainer. 6. Water supply is over 100°F. 7. High pressure hose is blocked or leaks. 8. Gun leaks. 9. Nozzle is obstructed. 10. Pump is faulty. 	<ol style="list-style-type: none"> 1. Replace spray tip with high pressure spray tip. 2. Clear inlet. 3. Provide adequate water flow. 4. Straighten inlet hose, patch leak. 5. Check and clean inlet hose strainer. 6. Provide cooler water supply. 7. Clear blocks in outlet hose. 8. Replace gun. 9. Clean nozzle. 10. Contact Generac service facility.
Detergent fails to mix with spray.	<ol style="list-style-type: none"> 1. Detergent siphoning tube is not submerged. 2. Chemical filter is clogged or cracked. 3. Dirty in-line filter. 4. High pressure spray tip installed. 	<ol style="list-style-type: none"> 1. Insert detergent siphoning tube into detergent. 2. Clean or replace filter/detergent siphoning tube. 3. See “Check In-Line Filter” on page 13. 4. Replace spray tip with low pressure spray tip.
Engine runs good at no-load but “bogs” when load is added.	Engine speed is too slow.	Move throttle control to FAST position. If engine still “bogs down”, contact Briggs and Stratton service facility.
Engine will not start; or starts and runs rough.	<ol style="list-style-type: none"> 1. Low oil level. 2. Dirty air cleaner. 3. Out of gasoline. 4. Stale gasoline. 5. Spark plug wire not connected to spark plug. 6. Bad spark plug. 7. Water in gasoline. 8. Overchoking. 9. Excessively rich fuel mixture. 10. Intake valve stuck open or closed. 11. Engine has lost compression. 	<ol style="list-style-type: none"> 1. Fill crankcase to proper level. 2. Clean or replace air cleaner. 3. Fill fuel tank. 4. Drain gas tank; fill with fresh fuel. 5. Connect wire to spark plug. 6. Replace spark plug. 7. Drain gas tank; fill with fresh fuel. 8. Open choke fully and crank engine. 9. Contact Briggs and Stratton service facility. 10. Contact Briggs and Stratton service facility. 11. Contact Briggs and Stratton service facility.
Engine shuts down during operation.	Out of gasoline.	Fill fuel tank.
Engine lacks power.	Dirty air filter.	Replace air filter.
Engine “hunts” or falters.	Choke is opened too soon.	Move choke to halfway position until engine runs smoothly.

EXPLODED VIEW — UNIT

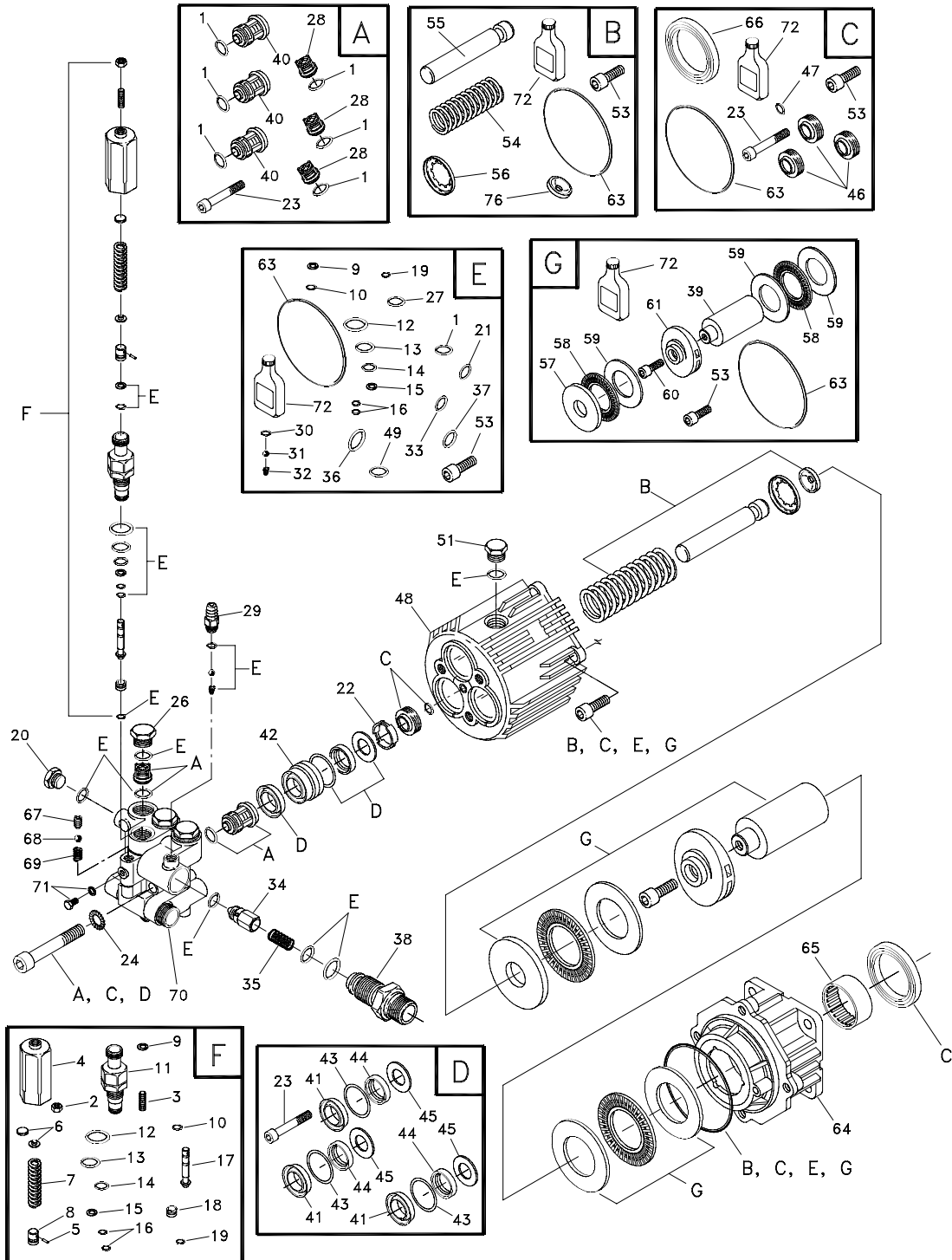


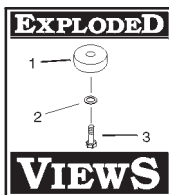


PARTS LIST — UNIT

Item	Part #	Qty.	Description
1	190185GS	1	DECALS/BILLBOARD
2	A187602GS	1	HANDLE
3	A190156GS	1	BASE
4	30809GS	5	GROMMET, Rubber
5	191413GS	2	VIBE MOUNT, with Washer
7	188194GS	2	RIVET, Blind
8	B4966GS	2	WHEEL
9	190147GS	2	NUT, Push
10	191429GS	1	KIT, HNDL, FSTNNG, SRV
15	190182GS	1	ASSY, Pump (see pages 18-19)
16	A1040AGS	1	HOSE, Chemical
17	67989GS	8	NUT
18	21217GS	4	MOUNT, Rubber Shock
19	23139BGS	1	KEY
20	92479GS	4	WASHER, Lock
21	23707GS	4	SCREW
22	21783GS	1	VALVE, Thermal Relief
23	B3868AGS	1	CONNECTOR, Garden Hose
24	95457GS	1	ADAPTER
25	190193GS	1	MANUAL, Owners
26	MS6737	1	MANUAL, Engine
27	185877GS	1	HOSE
28	191430GS	1	KIT, NZZL, QC, SRV
29	95519GS	1	CONNECT, Quick, Wand End
30	190862GS	1	KIT, Maintenance
31	87815GS	1	GOGGLES, Safety
33	95518GS	1	CONNECT, Quick, Wand/Acc
34	97837GS	1	O-RING, Hi Pressure
35	B4224GS	1	SCREEN, Gun Inlet
36	B3858GS	1	EXTENSION
37	190049GS	1	GUN, High Pressure
38	BB3061BGS	1	OIL
39	A1041GS	1	FILTER, Chemical Hose
40	B2384GS	1	FILTER, Garden Hose
41	191441GS	1	CAP, Vent Faip Pump, SRV
42	191880GS	1	TAG, Warning/Danger/Operation
43	B1797GS	1	CLIP, Tree
900	NSP	1	ENGINE

EXPLODED VIEW — PUMP





PARTS LIST — PUMP

Item	Part #	Qty.	Description	Item	Part #	Qty.	Description
20	190638GS	1	PLUG	12	1	O-RING
22	190639GS	3	SPACER	13	1	O-RING
24	190640GS	3	WASHER	14	1	O-RING
26	190641GS	3	PLUG	15	1	RING
29	190642GS	1	HOSE TAIL	16	2	O-RING
34	190643GS	1	JET	19	1	O-RING
35	190644GS	1	SPRING	21	1	O-RING
38	190645GS	1	INJECTOR, Detergent	27	3	O-RING
42	190646GS	3	PISTON, Guide	30	1	O-RING
48	190647GS	1	HOUSING	31	1	BALL
51	190648GS	1	PLUG	32	1	SPRING
64	190649GS	1	FLANGE	33	1	O-RING
65	190650GS	1	ROLLER BEARING	36	1	O-RING
67	190651GS	1	GRUB SCREW	37	1	O-RING
68	190652GS	1	BALL	49	1	O-RING
69	190653GS	1	SPRING	53	4	SCREW
70	190654GS	1	PUMP HEAD	63	1	O-RING
71	190655GS	1	GRUB SCREW & WASHER	72	1	OIL BOTTLE
72	190656GS	1	OIL BOTTLE	F 190661GS	0	KIT, UNLOADER	
A 190657GS	0	KIT, CHECK VALVE	2	1	NUT	
1	6	O-RING	3	1	GRUB SCREW
23	3	SCREW	4	1	HANDLE INSERT
28	3	COMPLETE VALVE	5	1	PIN
40	3	COMPLETE VALVE	6	2	PLATE SPRING
B 190658GS	0	KIT, PISTON SET	7	1	SPRING	
53	4	SCREW	8	1	UPPER PISTON
54	3	SPRING	9	1	RING
55	3	PISTON	10	1	O-RING
56	3	RING	11	1	PISTON GUIDE
76	3	PLATE	12	1	O-RING
72	1	OIL BOTTLE	13	1	O-RING
C 190659GS	0	KIT, SEAL OIL	14	1	O-RING	
23	3	SCREW	15	1	RING
46	3	SEAL	16	2	O-RING
47	1	O-RING	17	1	LOWER PISTON
53	1	SCREW	18	1	VALVE SEAT
63	1	O-RING	19	1	O-RING
66	1	SEAL	G 190662GS	0	KIT, CAM & BEARING	
72	1	OIL BOTTLE	39	1	CRANKSHAFT
D 190660GS	0	KIT, SEAL HIGH PRESSURE	53	4	SCREW	
23	3	SCREW	57	1	RAIL
41	3	GASKET	58	2	CAGE
43	3	O-RING	59	3	RAIL
44	3	GASKET	60	1	SCREW
45	3	RING	61	1	WOBBLE PLATE
E 190677GS	0	KIT, O-RINGS	63	1	O-RING	
1	6	O-RING	72	1	OIL BOTTLE
9	1	RING	NOTE: Item letters A - G are service kits and include all parts shown within the box.			
10	1	O-RING				



TABLA DE CONTENIDOS

Reglas De Seguridad	20-21
Conozca Su Generador	22
Ensamblaje	23-26
Funcionamiento	26-29
Especificaciones Del Producto	30
Mantenimiento	30-32
Almacenamiento	32
Notas	33
Diagnosticos De Averías	34
Piezas De Recambio	16-19
Garantía	35

DESCRIPCIÓN DEL EQUIPO



Lea este manual de manera cuidadosa y familiarícese con su generador. Conozca sus usos, sus limitaciones y cualquier peligro relacionado con el mismo.

Se ha hecho cada esfuerzo posible para asegurarse que la información que aparece en este manual es exacta y se encuentra actualizada. Sin embargo, Generac se reserva el derecho a cambiar, alterar o de otra manera mejorar, el producto y este documento en cualquier momento, sin previo aviso.

INSTRUCCIONES DE SEGURIDAD



Éste es el símbolo de alerta de seguridad. Sirve para advertir al usuario de un posible riesgo para su integridad física. Siga todos los mensajes de seguridad que figuren después de este símbolo para evitar lesiones o incluso la muerte.

El símbolo de alerta de seguridad (▲) es usado con una palabra (PELIGRO, ADVERTENCIA, PRECAUCIÓN), un mensaje por escrito o una ilustración, para alertarlo acerca de cualquier situación de peligro que pueda existir. **PELIGRO** indica un riesgo el cual, si no se evita, *causará* la muerte o una herida grave. **ADVERTENCIA** indica un riesgo el cual, si no se evita, *puede* causar la muerte o una herida grave. **PRECAUCIÓN** indica un riesgo, el cual, si no se evita, *puede* causar heridas menores o moderadas. **PRECAUCIÓN**, cuando se usa **sin** el símbolo de alerta, indica una situación que podría resultar en el daño del equipo. Siga los mensajes de seguridad para evitar o reducir los riesgos de heridas e inclusive la muerte.

En el estado de California es obligatorio, según la ley, el uso de apagachispas (Sección 4442 del Código de Recursos Públicos de California). Otros estados pueden tener leyes similares. Las leyes federales se aplican en tierras federales. Si equipa el silenciador con un apagachispas, este deberá ser mantenido en buenas condiciones de trabajo.



ADVERTENCIA

El escape del motor de este producto contiene elementos químicos reconocidos en el Estado de California por producir cáncer, defectos de nacimiento u otros daños de tipo reproductivo.



PELIGRO



Al motor funcionar, se produce monóxido de carbono, un gas inodoro y venenoso. El respirar el monóxido de carbono, producirá náusea, desmayo o la muerte.

- Opere el lavadora de presión SOLAMENTE al aire libre.
- Utilice un respirador o máscara siempre que exista la posibilidad de inhalar vapores.
- Lea todas las instrucciones de la máscara para asegurarse de que le brindará la protección necesaria contra la inhalación de vapores nocivos.



ADVERTENCIA



El contacto del rocío con alambrado eléctrico puede tener como resultado electrocución.

- Mantenga el chorro del agua alejado de alambrados eléctricos, de lo contrario podrían ocurrir descargas eléctricas fatales.



ADVERTENCIA



El uso de lavadora de presión puede crear los charcos y superficies resbalosas.



El rociado de la alta presión podría hacerlo caer si está muy cerca de la superficie de limpieza.

- Mantenga la boquilla de rociado de 8 a 24 pulgadas de la superficie de limpieza.
- Opere y almacene esta unidad sobre una superficie estable.
- El área de limpieza deberá tener inclinaciones y drenajes adecuados para disminuir la posibilidad de caídas debido a superficies resbalosas.
- Sea extremadamente cuidadoso si usa la máquina lavadora a presión desde una escalera, andamio o cualquier superficie relativamente inestable.
- Sujete la pistola de la hidrolavadora firmemente con ambas manos cuando utilice el rociado a alta presión. De esta manera evitará lesiones producidas por el posible golpe de la pistola hacia atrás.



⚠ **ADVERTENCIA**



La gasolina y sus vapores son extremadamente inflamables y explosivos.



El fuego o una explosión pueden causar quemaduras severas e inclusive la muerte.

CUANDO AÑADA COMBUSTIBLE

- Apague el generador (posición OFF) y déjelo enfriar al menos por 2 minutos antes de remover la tapa de la gasolina.
- Llene el tanque al aire libre.
- NO llene demasiado el tanque. Permita al menos espacio para la expansión del combustible.
- Mantenga la gasolina alejada de chispas, llamas abiertas, pilotos, calor y otras fuentes de ignición.
- NO encienda un cigarrillo o fume.

CUANDO OPERE EL EQUIPO

- NO incline el motor o el equipo, de tal manera que la gasolina se pueda derramar.
- NO rocíe líquidos inflamables.

CUANDO TRANSPORTE O REPARE EL EQUIPO

- Transporte o repare el equipo con el tanque de combustible vacío, o con la válvula para apagar el combustible, apagada (posición OFF).

CUANDO ALMACENE O GUARDE EL EQUIPO CON COMBUSTIBLE EN EL TANQUE

- Almacene alejado de calderas, estufas, calentadores de agua, secadoras de ropa u otros aparatos electrodomésticos que posean pilotos u otras fuentes de ignición, porque ellos pueden encender los vapores de la gasolina.

⚠ **ADVERTENCIA**



La corriente de agua de alta presión que produce este equipo pueden perforar la piel y sus tejidos profundos, ocasionando lesiones serias y posible amputación.

- NUNCA apunte la pistola a la gente, animales o plantas.
- NO permita en ningún momento que NIÑOS operen la máquina lavadora a presión.
- NUNCA repare la manguera de alta presión. Remplacela.

⚠ **ADVERTENCIA**



Los motores al funcionar producen calor. La temperatura del silenciador y de las áreas cercanas puede alcanzar o pasar los 150°F (65°C). Quemaduras severas pueden ocurrir al hacer contacto.

- NO toque las superficies calientes.
- Permita que el equipo se enfríe antes de tocarlo.

⚠ **ADVERTENCIA**



El arrancador y otras piezas que rotan pueden enredar las manos, el pelo, la ropa, o los accesorios.

- NO use ropa suelta, joyas o elementos que puedan quedar atrapados en el arranque o en otras partes rotatorias.
- Ate para arriba el pelo largo y quite la joyería.

⚠ **ADVERTENCIA**



El rociado de alta presión puede hacer que partículas pequeñas de pintura u otras partículas salgan disparadas y viajen a altas velocidades.

- Siempre use protección para los ojos cuando utilice este equipo o cuando esté cerca de donde se esté usando el equipo.

⚠ **ADVERTENCIA**



Chispear involuntario puede tener como resultado el fuego o el golpe eléctrico.



CUANDO AJUSTE O HAGA REPARACIONES A SU MÁQUINA LAVADORA DE PRESIÓN

- Siempre desconecte el alambre de la bujía y colóquelo donde no pueda entrar en contacto con la bujía.

⚠ **PRECAUCIÓN**

Hacer funcionar el motor a velocidades excesivas aumenta el riesgo de lesiones personales.

- NO juegue con partes que puedan aumentar o disminuir la velocidad de mando.
- NO opere la máquina lavadora a presión con un valor de presión superior a su clasificación de presión.

PRECAUCIÓN

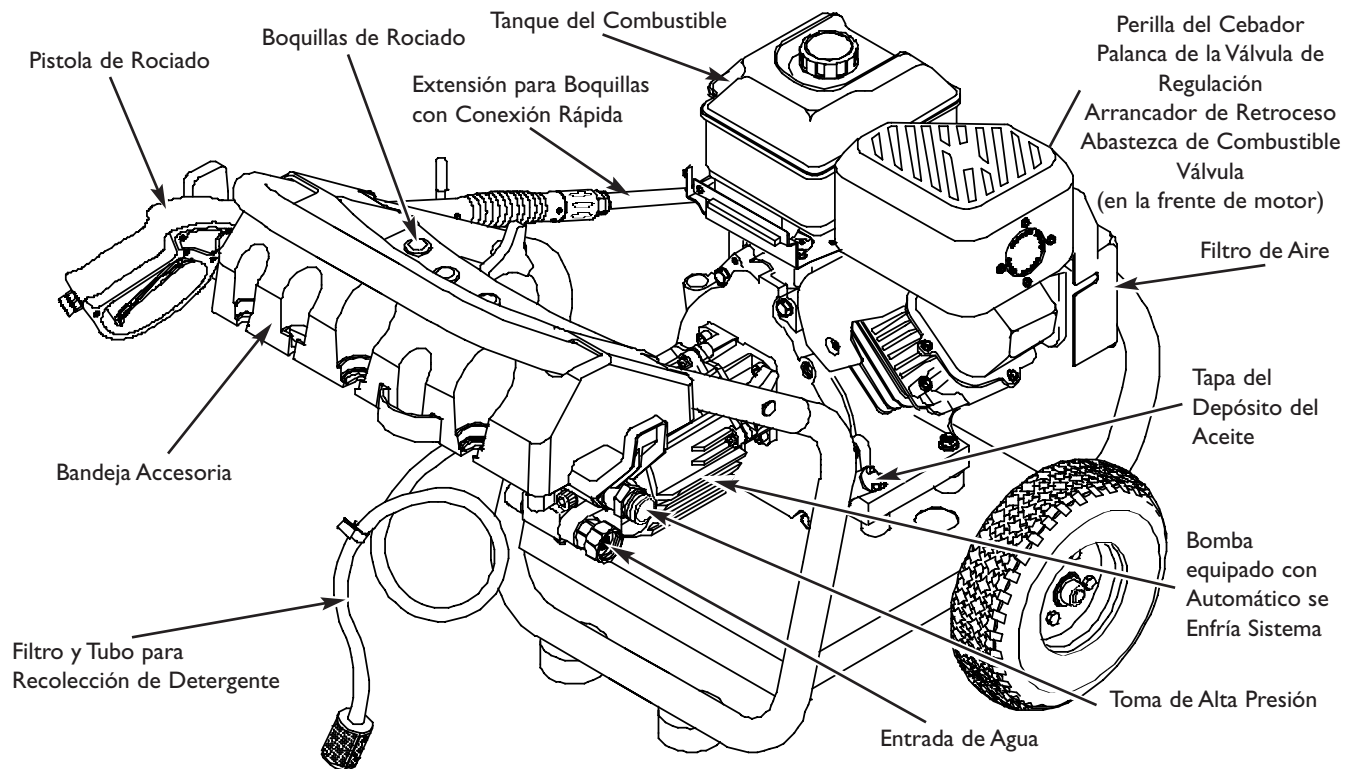
El rociado de alta presión puede dañar elementos frágiles, incluyendo el vidrio.

- NO apunte la pistola de rociado al vidrio cuando esté en el modo de rociado a chorro.
- NUNCA apunte la pistola a plantas.

CONOZCA SU MÁQUINA LAVADORA DE ALTA PRESIÓN

Lea el manual del propietario y las reglas de seguridad antes de poner en marcha su máquina lavadora a presión.

Compare las ilustraciones con su máquina lavadora a presión para familiarizarse con las ubicaciones de los diferentes controles y ajustes. Guarde este manual para referencias futuras.



Abastecza de Combustible Válvula - Esté acostumbrado a prender el combustible y lejos al motor.

Arrancador de Retroceso - Usado para arrancar el motor manualmente.

Automático se Enfría Sistema - Los ciclos regan por bomba cuando agua alcanza 125°-155°F. Entibiar agua descargará de la bomba en el suelo. Este sistema previene el daño interno de bomba.

Bandeja Accesoría - Proporciona convenient almacenamiento para el estándar y accesorios opcionales, tal como cepillos, las varitas de turbo, ect.

Bomba - Desarrolla alta presión de agua.

Boquillas de Rociado - Inyección de químicos, 0°, 15°, 25°, 40°: para diferentes alta presión aplicaciones de limpieza.

Entrada de Agua - Conexión para la manguera de jardín.

Extensión para Boquillas con Conexión Rápida - Le permite usar cuatro boquillas de rociado diferentes.

Filtro de Aire - El elemento de filtro tipo seco limita la cantidad de suciedad y polvo que se introduce en el motor.

Filtro y Tubo para Recolección de Detergente - Usado para succionar detergente de la botella de químicos a la corriente de agua de baja presión.

Gatase de Seguridad (no mostrado) - Siempre use las gafas encerradas u otra protección de ojo cuando correr su arandela de la presión.

Manguera de Alta Presión (no mostrado) - Conecte un extremo a la pistola de rociado y el otro extremo a la toma de alta presión.

Palanca de Control de la Válvula de Regulación - Coloca el motor en modo de arranque para el arrancador de retroceso y detiene el motor en funcionamiento.

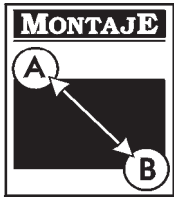
Perilla del Cebador - Usada para arranque de motores fríos.

Pistola de Rociado - Controla la aplicación de agua sobre la superficie de limpieza con el gatillo. Incluye cerrojo de seguridad.

Tanque del Combustible - Llène el tanque con gasolina regular sin contenido de plomo en este punto.

Tapa del Depósito del Aceite - Llène el motor con aceite aquí. Siempre habitación de hoja para la expansión del combustible.

Toma de Alta Presión - Conexión para la manguera de alta presión.



IMPORTANTE: Lea totalmente el manual del propietario antes que intente ensamblar u operar su lavador a alta presión.

REMUEVA EL LAVADOR A ALTA PRESIÓN DEL EMPAQUE

- Remueva la bolsa con las piezas, incluidas con el lavador de alta presión.
- Corte dos esquinas en los extremos del cartón desde la parte superior hasta la parte inferior, de tal manera que el pánel pueda ser doblado en forma plana, luego quite todo el material de embalaje.
- Ruede el lavador a alta presión fuera de la caja.

Contenido de la Caja

Los artículos que se encuentran en la caja son:

- Unidad principal
- Manguera de Alta Presión
- Manubrio
- Bandeja Accesorio Plástica
- Botella de Aceite para Motor
- Gafas de Seguridad
- Pistola Rociadora
- Extensión de la Lanza con las Piezas de Conexión Rápida
- Bolsa de accesorios (incluye lo siguiente):
 - Juego de Mantenimiento
 - Manual del Propietario
 - Manual del Motor
 - Tarjeta de Registro del Propietario
 - Bolsa con 5 Lanzas de Conexiones Rápidas Multicolores
 - Piezas para la manubrio (incluye lo siguiente):
 - Perno del Soporte
 - Perno "L"
 - Perilla Plástica (2)
 - Gancho "J"
 - Clip Detergente de la Manga
 - Auto Utiliza Enrosca (5)

Si una de las partes que se mencionan arriba se encuentran dañadas o hacen falta, llame a la línea directa del lavador a alta presión, al **1-800-270-1408**.

PREPARANDO EL LAVADOR A ALTA PRESIÓN PARA SU USO

Si usted tiene un problema al ensamblar la unidad o si hacen falta algunas piezas o se encuentran dañadas, llame a la línea directa del lavador a alta presión, al **1-800-270-1408**.

A prepara su arandela de la presión para la operación, usted necesitará a realiza estas tareas:

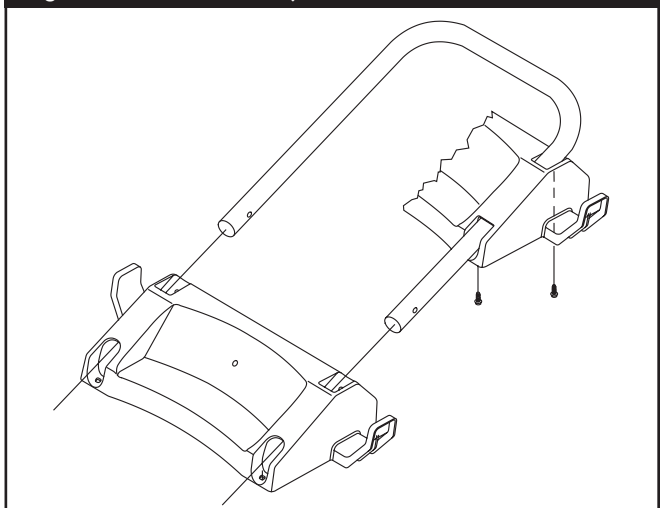
- Llene y mande en tarjeta de matrícula.
- Conecte manubrio y bandeja accesoria a unidad principal.
- Añada aceite al motor.
- Añada gasolina al tanque de combustible.
- Conecte manguera a alta presión a pistola rociadora y a bomba.
- Conecte el suministro de agua a bomba.
- Conecte boquilla la extensión al pistola rociadora.
- Selecto/conecta rápido conecta boquilla a la extensión de la boquilla.

Conecte el Manubrio y Bandeja Accesorio

NOTA: Todas las operaciones de ensamble proporcionadas en esta sección, serán descritas desde la perspectiva del ensamblaje de la lavadora a presión desde su parte posterior.

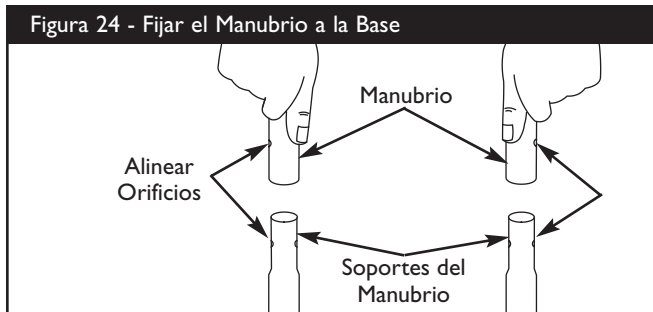
- Deslice la bandeja accesoria plástica en el asidero y alinee los hoyos en la bandeja accesoria con los hoyos en el asidero (Figura 23).

Figura 23 - Conecte Bandeja Accesorio



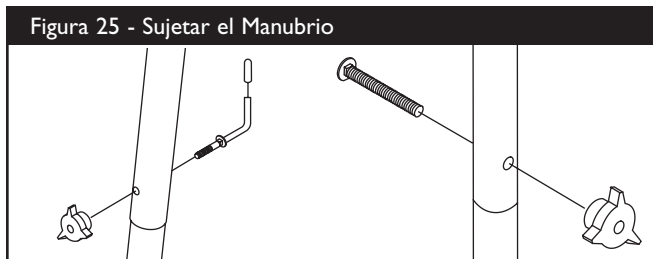
- La bandeja segura al asidero con tornillos auto utiliza usando un #2 destornillador de phillips. Asegure seres de tornillos apretados pero no aplastar la bandeja accesoria plástica.

- Coloque el manubrio sobre los soportes del mismo que ya están adheridos a la unidad principal. Asegúrese de que los orificios en el manubrio estén alineados con los orificios en los soportes del mismo manubrio (Figura 24).



NOTA: Tal vez será necesario mover los soportes del manubrio de un lado a otro para alinear el manubrio de tal manera que pueda deslizarse sobre los soportes del mismo manubrio.

- Inserte el perno del soporte a través del orificio que se encuentra al lado izquierdo del manubrio (visto desde la parte posterior de la unidad) y fije la perilla de plástico. Apriete la perilla manualmente (Figura 25).



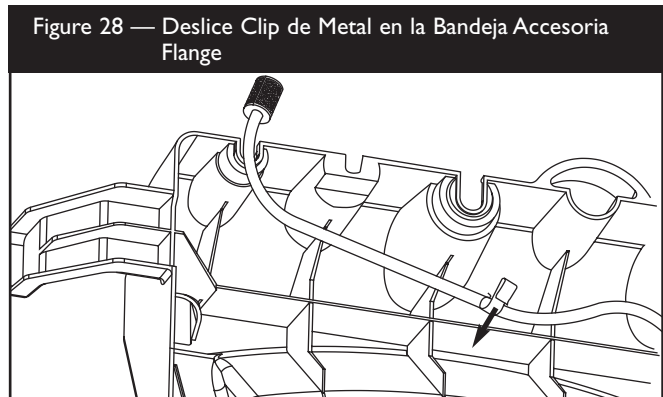
- Inserte el perno "L" a través del orificio al lado derecho del manubrio (visto desde la parte posterior de la unidad) y fije la perilla de plástico. Apriete la perilla manualmente (Figura 25).
- Inserte el gancho "J" en la segunda ranura a la izquierda en el charola de accesorios (Figura 26).



- Pellizque la manga química y lo desliza en el clip de metal como mostrado en Figura 27.



- Incline la unidad arriba por el asidero y conecte el clip de metal a la costilla en la cara inferior central de la bandeja accesoria (Figura 28). Deslice la manga química por el clip de metal para que no sea apretado pero kinked.



Agregar Aceite al Motor

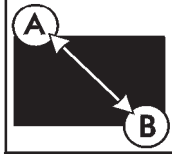
IMPORTANTE: Cualquier intento para arancar el motor antes de haberle proporcionado el mantenimiento apropiado con el aceite recomendado, podría ocasionar la falla del motor.

- Coloque la lavadora a presión sobre una superficie nivelada.
- Consulte el manual del propietario del motor para añadir al motor el aceite recomendado.

NOTA: Verifique el aceite del motor de manera frecuente cuando éste se esfuerce demasiado. Consulte el manual del propietario del motor para conocer cuáles son las recomendaciones al respecto.

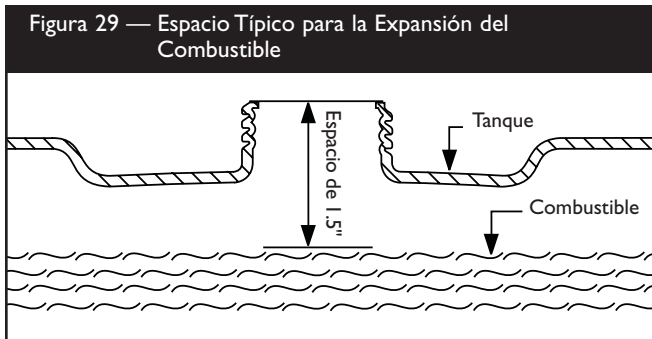
Añada Gasolina

¡ADVERTENCIA! NUNCA llene el tanque de combustible en recintos cerrados. NUNCA llene el tanque de combustible cuando el motor esté funcionando o esté caliente. NO fume cuando esté llenando el tanque de combustible.



¡ADVERTENCIA! NUNCA llene por completo el tanque de combustible. Deje espacio para la expansión del combustible. Limpie cualquier derrame de combustible del motor y del equipo antes de darle arranque a la unidad.

- Use combustible limpio y almacénelo en recipientes cubiertos, limpios y aprobados. Utilice embudos limpios. NUNCA utilice gasolina "vieja" dejada de la estación anterior o gasolina almacenada por períodos de tiempo prolongados.
- Limpie el área alrededor de la tapa de llenado del combustible, retire la tapa.
- Agregue lentamente gasolina regular "SIN PLOMO" al tanque de combustible. Use un embudo para evitar que se derrame. Llene el tanque lentamente hasta aproximadamente 1.5" por debajo de la parte inferior del cuello del tubo de llenado (Figura 29).



- Instale la tapa del tanque de combustible y limpie la gasolina que se haya derramado.

Conecte la Manguera y el Suministro de Agua a la Bomba

IMPORTANTE: Usted deberá armar la extensión para boquillas y conectar todas las mangueras antes de darle arranque al motor. La bomba resultará dañada si arranca el motor sin tener todas las mangueras conectadas y el suministro agua abierto.

NOTA: Su arandela de la presión viene con un rápido conecta que usted está acostumbrado a conecta la manga alta de la presión a o el pistola de rociado o el bomba.

- Uncoil la manga alta de la presión y conecta el rápido conecta a un fin de la manga. Conecte el masculino rápido conecta al pistola de rociado (Figura 30).

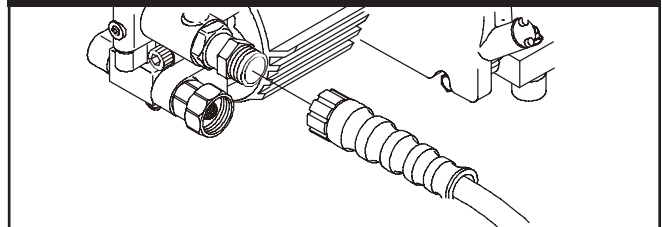


- Conecte la manguera a la base de la pistola de rociado (Figura 30). Hale el collar de la conexión rápida, deslícelo apropiado en la bomba y suelte el collar. Hale la manguera para asegurarse que esta bien conectada.

NOTA: El rápido conecta es mostrado conectando la manga alta de la presión a la pistola de rociado. Si usted escoge para usar el rápido conecta para el manga para regar con una bomba la conexión, siga las mismas direcciones para conectar rápido conecta del manga para regar con una bomba.

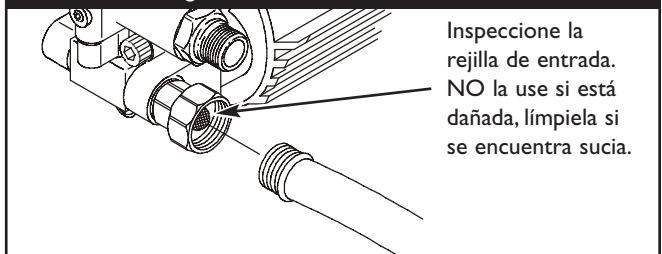
- De la misma manera, conecte el otro extremo de la manguera a alta presión, a la salida de alta presión de la bomba (Figura 31). Apriete con la mano.

Figura 31 - Conectar la Manguera de Alta Presión a la Toma de Agua



- Antes de que conecte la manguera de jardín a la entrada de agua, inspeccione el colador de la entrada (Figura 32). Limpie el colador si tiene residuos o solicite su remplazo si está dañado. **NO HAGA FUNCIONAR LA MÁQUINA LAVADORA A PRESIÓN SI EL COLADOR DE LA ENTRADA ESTÁ DAÑADO.**

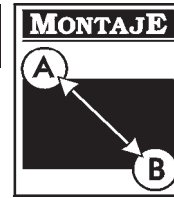
Figura 32 - Conecte la Manguera para el Jardín, a la Entrada de Agua



- Haga correr el agua a través de la manguera de su jardín por 30 segundos para limpiar cualquier escombros que se encuentre en ella. Desconecte el agua.

IMPORTANTE: Hace no agua de parar de siphon para el abastecimiento de agua. Use agua SOLO fría (menos que 100°F).

- Conecte la manguera de jardín (no exceder 50 pies en la longitud) a la entrada del agua. Apriete con la mano (Figura 32).



¡PRECAUCIÓN! DEBE haber por lo menos diez pies de manguera de jardín libre entre la entrada de agua de la lavadora a presión y cualquier dispositivo de control de flujo de agua, sea el caso de un conector 'Y' o de cualquier otro tipo de válvula. El daño a la lavadora a presión, resultado de la desatención a esta precaución, no será cubierto por la garantía.

- ABRA el suministro del agua (abra la válvula de suministro completamente).



¡PRECAUCIÓN! Antes de darle arranque a la máquina lavadora a presión, asegúrese de usar protección adecuada para los ojos.

Lista de Revisión Previa al Arranque del Motor

Revise la unidad para asegurarse que ha llevado a cabo los siguientes procedimientos:

- Cerciórese el manecilla es seguro.
- Revise que haya sido depositado aceite y esté al nivel correcto en la caja del cigüeñal del motor.
- Deposite la gasolina adecuada en el tanque del combustible.
- Revise que todas las conexiones de las mangueras (alta presión y suministro de agua) estén apretadas correctamente y que no existan dobleces, cortes o daño de la manguera de alta presión.
- Proporcione el suministro de agua adecuado.
- Asegúrese de leer las secciones "Reglas de Seguridad" y "Cómo Darle Arranque a su Máquina Lavadora a Presión" antes de usar la máquina lavadora a presión.

CÓMO USAR SU MÁQUINA LAVADORA A PRESIÓN

Si tiene problemas operando su máquina lavadora a presión, por favor llame a la línea de ayuda para máquinas lavadoras a presión al **1-800-270-1408**.

Cómo Darle Arranque a su Máquina Lavadora a Presión

Para darle arranque a su máquina lavadora a presión movida a motor por primera vez, siga estas instrucciones paso a paso. Esta información acerca del arranque inicial también se aplica cuando vaya a darle arranque al motor después de haber dejado de la máquina lavadora a presión fuera de uso por al menos un día.

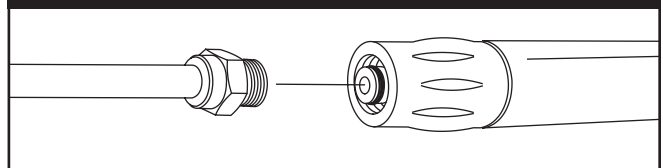
- Coloque la máquina lavadora a presión en un área cercana a una suministro de agua exterior capaz de abastecer agua a un volumen mayor de 3.5 galones por minuto en no menos que 20 PSI en el fin de arandela de presión de la manga del jardín.

- Revise que la manguera de alta presión se encuentre conectada firmemente a la pistola de rociado y a la bomba. Vea "Preparando el Lavador a Alta Presión Para su Uso".
- Asegúrese que la unidad esté nivelada.
- Conecte la manguera de jardín a la entrada del agua. Apriete la con la mano. **Abra el suministro de agua.**

¡PRECAUCIÓN! NO haga funcionar la bomba si no tiene el suministro conectado y abierto. Deberá cumplir con esta precaución, de otra forma la bomba resultará dañada.

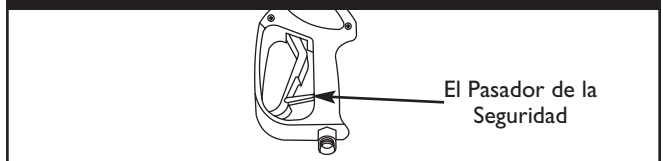
- Apriete firmemente el gatillo de la pistola para purgar de aire e impurezas el sistema de bombeo.
- Conecte la extensión de la lanza a la pistola rociadora. Apriétela con las manos (Figura 33).

Figura 33 - Conecte la Extensión de la Lanza a la Pistola Rociadora



- Seleccione la boquilla de conexión rápida que usted desee e insértela en el extremo de la extensión de la lanza (Vea "Como Usar las Boquillas").
- Coloque el pasador de seguridad al gatillo de la pistola rociadora (Figura 34).

Figura 34 - La Pistola Rociadora con el Pasador de Seguridad en su Posición



- Gire la válvula de control de combustible a la posición de "Encendido" ("On") (completamente en dirección contraria a las manecillas del reloj) (Figura 35).

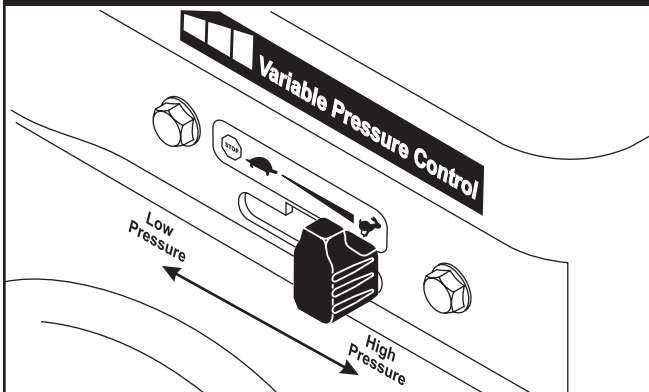
Figura 35 - Válvula de Control de Combustible



- Mueva el palanca variable del control de la presión a la posición "Alto" ("High"), que se distingue con la figura de un conejo (Figura 36).

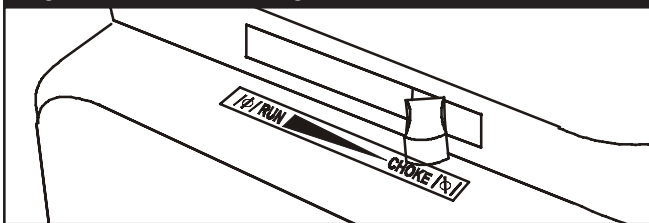


Figura 36 - Control de la Válvula de Admisión



- Mueva la palanca del ahogador a la posición "Ahogado" ("Choke") (Figura 37).

Figura 37 - Palanca del Ahogador



NOTA: En el caso de que el motor esté caliente, asegúrese de que la palanca del ahogador se encuentre en la posición "En marcha" ("Run").

- Sostenga la unidad con su mano izquierda y jale la cuerda de arranque ligeramente con su mano derecha hasta que sienta alguna resistencia; entonces jale con energía.
- Jale la cuerda de arranque lentamente. NO permita que la cuerda regrese bruscamente en contra del arrancador.
- Cuando arranque el motor, mueva lentamente la palanca del ahogador a la posición "En marcha" ("Run"). Si el motor falla, mueva la palanca a la posición "Ahogado" ("Choke"), y después a la posición "En marcha" ("Run").
- Si el motor no arranca después de 6 tirones, mueva la palanca del ahogador a la posición "Ahogado" ("Choke"), y después a la posición "En marcha" ("Run").

NOTA: Si el principio de culatazo deberá estirar duramente, para poder ser necessary al estrujón el disparador del fusil a alivia la presión interna de bomba.

Cómo Detener su Máquina Lavadora a Presión

- Mueva la palanca variable del control de la presión a la posición "Stop" ("Parado").

- Gire la válvula de control de combustible a la posición "Off" ("Apagado").
- **Apriete el gatillo de la pistola de rociado para eliminar la presión de la manguera.**

NOTA: Observará una pequeña cantidad de agua cuando elimine la presión.

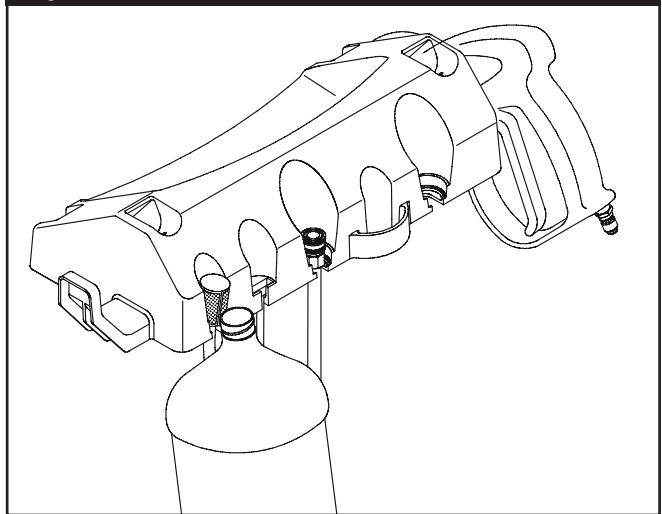
Utilización de la Charola de Accesorios

El unidad está equipado con una charola de accesorios. Posee tres orificios para sostener la extensión de su boquilla, conexión rápida boquillas, su varilla turbo y su cepillo, así como dos ranuras para sostener la botella de solución limpiadora y el filtro para el detergente. También tiene dos ganchos en el manubrio para sostener su pistola aspersora y la manguera de alta presión.

NOTA: Los dos orificios extra en la charola se usan para colocar el cepillo y la varilla turbo. El cepillo y la varilla turbo NO se incluyen con su lavadora a presión. Puede adquirir dichos artículos como accesorios opcionales.

- Coloque la extensión de la boquilla a través del orificio en el charola de accesorios, tal y como se muestra en la Figura 38.

Figura 38 - Charola de Accesorios Sobre el Charola Accesoría



- Sostenga la botella de su solución limpiadora en el gancho en forma de "J" y coloque el filtro del detergente en la última ranura a la izquierda (Figura 38).
- Sostenga la pistola aspersora sobre el gancho adherido al manubrio al lado derecho de la unidad (Figura 38).
- Coloque la manguera de alta presión sobre el gancho adherido al manubrio al lado izquierdo de la unidad, tal y como se muestra en la página 22.

Cómo Usar las Boquillas



¡PRECAUCIÓN! Nunca intercambie boquillas sin haber asegurado el cerrojo de seguridad del gatillo.

La conexión rápida de la extensión para boquillas le permite usar cuatro boquillas diferentes. Las boquillas tienen diferentes patrones de rociado como se ilustra a continuación (Figura 39).

Para cambiar las boquillas:

- Enganche el cerrojo de seguridad de la pistola de rociado.
- Mueva hacia atrás el collar de la conexión rápida y saque la boquilla instalada. Almacene la boquilla en el espacio suministrado en el panel de control.

NOTA: Para un enjuague más suave, seleccione la boquilla blanca de 40° o verde de 25°. Para fregar la superficie, seleccione la boquilla roja de 0° o la amarilla de 15°. Para aplicar el químico, seleccione la boquilla negra de baja presión.

- Mueva el collar hacia atrás, inserte la boquilla nueva y suelte el collar. Hale la boquilla para asegurarse de que está conectada firmemente.
- Para una limpieza más efectiva, mantenga la boquilla de rociado de 8 a 24 pulgadas de la superficie de limpieza. Si coloca la boquilla muy cerca, podría dañar la superficie que está limpiando.
- NO coloque la boquilla a menos de 6 pulgadas cuando esté limpiando llantas.

Limpeza y Aplicación del Químico

¡PRECAUCIÓN! Usted deberá conectar todas las mangueras antes de darle arranque al motor. Arrancar el motor sin tener todas las mangueras conectadas y sin el suministro de agua ABIERTO (ON) causará el daño de la bomba.

IMPORTANTE: Utilice químicos diseñados específicamente para máquinas lavadoras a presión. Los detergentes caseros podrían dañar la bomba.

Para aplicar el detergente, siga los siguientes pasos:

- Revise el uso de las boquillas.
- Prepare la solución detergente siguiendo las instrucciones del fabricante.
- Sostenga la solución detergente en el gancho "J" adherido al charola de accesorios, tal y como lo muestra la Figura 40.

Figura 40 - Insertar el Filtro Dentro del Contenedor

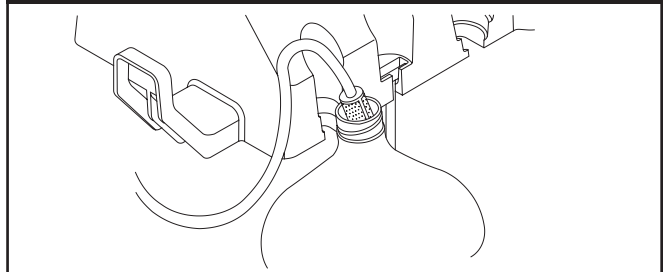
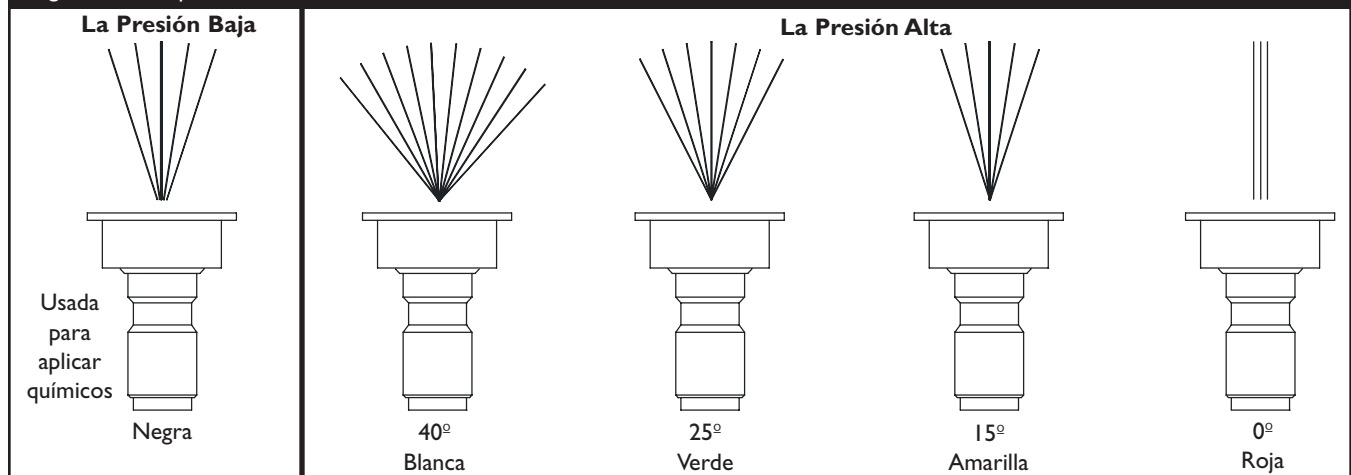


Figura 39 - Boquillas





- Coloque el pequeño extremo final del filtro del tubo de inyección del detergente dentro del contenedor del detergente.

¡PRECAUCIÓN! Evite que el tubo de inyección de químicos entre en contacto con el silenciador caliente.

- Asegúrese de que la boquilla negra esté instalada en la extensión para boquillas.

NOTA: No se puede aplicar detergente con las boquillas de alta presión (Blanca, Verde, Amarilla o Roja).

- Asegúrese que la manguera de jardín esté conectada a la entrada del agua. Revise que la manguera de alta presión esté conectada a la pistola de rociado y a la bomba. Dele arranque al motor.
- Aplique el detergente sobre la superficie seca, comenzando en la parte inferior del área y dirigiéndose hacia arriba, utilizando movimientos largos, parejos y superpuestos.
- Permita que el detergente penetre de 3 a 5 minutos antes de enjuagar. Vuelva a aplicar cuando sea necesario para evitar que la superficie se seque. NO permita que el detergente se seque. Si permite que el detergente se seque, la superficie podría quedar con manchas.

IMPORTANTE: Usted deberá lavar el sistema de inyección de químicos después de cada uso colocando el filtro en un balde de agua limpia y haciendo funcionar la máquina lavadora a presión de 1 a 2 minutos en el modo de baja presión.

Enjuage de la Máquina Lavadora a Presión

¡ADVERTENCIA! Sea extremadamente cuidadoso si usa la máquina lavadora a presión desde una escalera, andamio o cualquier superficie relativamente inestable. Cuando oprima el gatillo, la fuerza de reacción del rociado inicial podría hacerlo caer. El rociado de la alta presión podría hacerlo caer si está muy cerca de la superficie que está limpiando.

Lavado y Enjuage de la Superficie

Este Lavadora a Presión permite la regulación de la presión de salida del agua variando la velocidad del motor. El palanca variable del control de la presión encontró en la frente del motor puede ser puesto, como mostrado en la Figura 41:

Figura 41 - Variable del Control de la Presión

Presión	Baja	a	Alta
Trabajo	Ligera	Mediana	Pesada
Aplicación	Autos	Concreto	Remoción de Pintura
	Botes	Entradas	Eliminación de Grasa
	Muebles	Plataformas	

Después de haber aplicado el detergente, refriegue la superficie y enjuagela de la siguiente manera:

- Coloque el cerrojo de seguridad a la pistola de rociado.
- Retire la boquilla negra para químicos de la extensión para boquillas.
- Seleccione e instale la boquilla de alta presión que desee siguiendo las instrucciones de "Cómo Usar las Boquillas" de la página 28.
- Mantenga la pistola de rociado a una distancia segura del área que planea rociar.
- Ajuste la presión del rocío deslizando la izquierda variable de palanca de control de presión o derecho, cuando mostrado en la Figura 36 en la página 27.



¡PRECAUCIÓN! Sujete la pistola de la hidrolavadora firmemente con ambas manos cuando utilice el rociado a alta presión. De esta manera evitará lesiones producidas por el posible golpe de la pistola hacia atrás.

- Aplique un rociado de alta presión en un área pequeña, después revise si la superficie presenta daños. Si no encuentra daños, puede continuar con el trabajo de limpieza.
- Comience en la parte superior del área que va a enjuagar, dirigiéndose hacia abajo con los mismos movimientos superpuestos que utilizó para la limpieza.

Sistema de Enfriamiento Automático (Alivio Térmico)

El agua que circula dentro de la bomba puede alcanzar temperaturas entre los 125°-155°F si hace funcionar el motor de su máquina lavadora a presión de 3 a 5 minutos sin oprimir el gatillo de la pistola de rociado. Cuando el agua alcanza dicha temperatura, el sistema de enfriamiento automático se activa y enfría la bomba **descargando agua caliente en el piso**. Este sistema evita el daño interno de la bomba. La descarga terminará una vez la bomba se haya enfriado.



Lavadora de Presión 2700 PSI de Generac



ESPECIFICACIONES

Presión de Salida 2700 PSI

Promedio de Flujo 2.5 galones por minuto (gpm)

Detergente Use el detergente adecuado para lavadores a presión

Temperatura del Suministro de Agua Que no pase de 100°F

Sistema de Enfriamiento Funcionará cuando el agua alcance de 125°-155°F

Automático

Peso que Embarca 90 lbs.

RECOMENDACIONES GENERALES

La garantía de la máquina lavadora a presión no cubre los elementos que han sido sujetos a abuso o negligencia por parte del operador. Para hacer válida la cobertura total de la garantía, el operador deberá mantener la lavadora de presión tal y como se indica en el manual.

- Algunos ajustes tendrán que hacerse periódicamente para mantener adecuadamente su máquina lavadora a presión.
- Todos los servicios y ajustes deberán hacerse por lo menos una vez en cada estación.
- Una vez al año, usted deberá limpiar o reemplazar la bujía y el filtro de aire. Una bujía nueva y un filtro de aire limpio garantizan una mezcla de combustible-aire adecuada y le ayuda a su motor a funcionar mejor y a tener una vida útil más prolongada. Por favor, para mayores detalles, consulte el manual del propietario del motor.
- Si equipó con llantas que se puede hinchar, mantiene la presión aérea dentro de 5 y 40 PSI.

Antes de Cada Uso

- Revise el nivel de aceite del motor.
- Revise si existen daños en el colador de la entrada de agua.
- Revise si existen daños en el filtro en línea.
- Revise si existen fugas en la manguera de alta presión.
- Revise si existen daños en los filtros de químicos.
- Revise si existen fugas en el conjunto de la extensión para boquillas y pistola.
- Elimine el aire y los contaminantes de la bomba.

MANTENIMIENTO DE LA MAQUINA LAVADORA A PRESION

Revise y Limpie el Colador de Entrada

Examine el colador de entrada de la manguera de jardín. Límpiolo si está tapado o reemplacelo si está roto.

Revise la Manguera de Alta Presión

Las mangueras de alta presión pueden desarrollar fugas debido al desgaste, dobleces o abuso. Revise la manguera antes de cada uso. Revise si existen cortes, fugas, abrasiones, levantamiento de la cubierta, daño o movimiento de los acoplamientos. Si existe cualquiera de estas condiciones, reemplace la manguera inmediatamente.



¡PRECAUCIÓN! NUNCA repare la manguera de alta presión. Reemplacela con una manguera que cumpla con la capacidad mínima de presión de su máquina lavadora a presión.

Chequee el Tubo de Sifón del Detergente

Examine el filtro en el tubo del detergente y límpiolo si se encuentra sucio. El tubo debería quedar apretado en la pieza. Examine el tubo para ver si existe cualquier tipo de goteo o está roto. Reemplace el filtro o el tubo si alguno de ellos se encuentra dañado.

Limpiando el Tubo

Si usted usó el tubo, usted debe lavarlo con agua limpia antes de parar el motor.

- Coloque el filtro y la inyección química en un balde lleno de agua limpia.
- Conecte la lanza negra de baja presión.
- Lave de 1 a 2 minutos.
- Apague el motor.

IMPORTANTE: Apagando el motor, simplemente no soltará la presión en el sistema. **Cuando el motor se ha apagado, apriete el gatillo en la pistola rociadora para deshacerse de la presión en la manguera.**

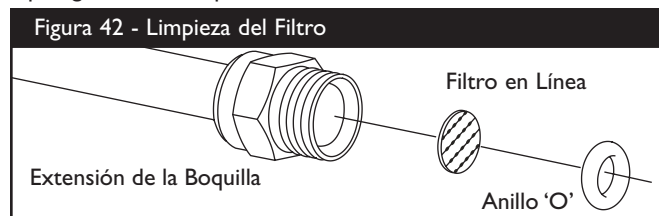


Revise la Pistola y la Extensión para Boquillas

Examine la conexión de la manguera a la pistola y cerciorese de que esté en buen estado. Pruebe el gatillo oprimiéndolo y asegurándose de que se devuelve a su sitio cuando lo suelte. Coloque el cerrojo de seguridad y pruebe el gatillo. Usted no debe ser capaz de oprimir el gatillo. Reemplace la pistola inmediatamente si falla cualquiera de estas pruebas.

Revise el Filtro en Línea

Consulte la Figura 42 y suministre servicio al filtro en línea si se tapa siguiendo estos pasos:



1. Retire la pistola y la extensión para boquillas de la manguera de alta presión. Retire la extensión para boquillas de la pistola y retire el anillo 'o' y el colador de la extensión para boquillas. Lave el colador, pistola y extensión para boquillas con agua limpia para eliminar toda clase de residuos.
2. Si el colador está dañado, encontrará un colador para el filtro en línea y un anillo 'o' de repuesto en el juego de anillos 'o'. Si no está dañado, vuelva a usarlo.
3. Coloque el colador del filtro en línea en el extremo con rosca de la extensión para boquillas. Su dirección no importa. Coloque el colador ejerciendo presión con el borrador de un lápiz hasta que se asiente por completo en el fondo de la abertura. Tenga cuidado de no doblar el colador.
4. Coloque el anillo 'o' en la ranura respectiva. Empuje el anillo 'o' hasta que quede ajustado contra el colador del filtro en línea.
5. Conecte la extensión para boquillas a la pistola de rociado de la manera descrita anteriormente en este manual.

Elimine el Aire y los Contaminantes de la Bomba

Para retirar el aire de la bomba, siga los siguientes pasos:

- Instale la máquina lavadora a presión como está descrito en "Preparando el lavador a alta presión para su uso". Conecte el abastecimiento de agua y prenda agua.
- Estire el disparador en el fusil del rocío y el asidero.
- Cuando el agua es constante y constante, compromete el picaporte de la seguridad.

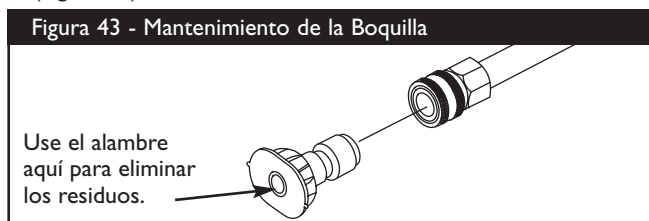
Para retirar los contaminantes de la bomba, siga los siguientes pasos:

- Instale la máquina lavadora a presión como está descrito en "Preparando el lavador a alta presión para su uso". Conecte el abastecimiento de agua y prenda agua.
- Ponga en marcha el motor de acuerdo a las instrucciones de "Cómo Darle Arranque a su Máquina Lavadora a Presión".
- Quite boquilla la extensión del fusil del rocío.
- Hale el gatillo de la pistola y manténgalo apretado.
- Cuando el suministro de agua sea uniforme y constante, enganche el cerrojo de seguridad y vuelva a ajustar la extensión para boquillas.

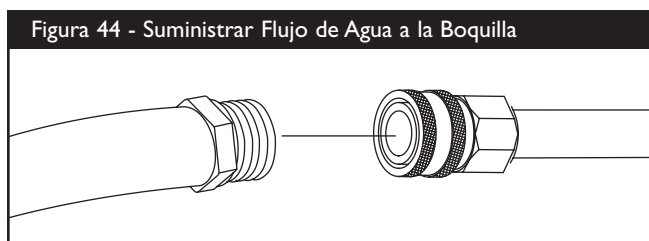
Mantenimiento de la Boquilla

Si siente una sensación pulsante al momento de apretar el gatillo de la pistola rociadora, puede que sea causada por la presión excesiva en la bomba. La causa principal de la presión excesiva en la bomba es cuando la boquilla se encuentra atascada o tapada con materiales extraños, tales como tierra, etc. Para corregir el problema, limpie inmediatamente la boquilla usando las herramientas incluidas con su lavador a presión y siga las instrucciones siguientes:

1. Apague el motor y apague el suministro de agua.
2. Remueva la boquilla del extremo de la extensión de la boquilla (Figura 43).



3. Quite el en el filtro de la línea del otro fin de la extensión de boquilla.
4. Use el alambre incluido en el juego (o un pequeño sujetapapeles) para liberar cualquier material extraño que esté tapando la boquilla (Figura 43).
5. Usando una manguera de jardín, remueva cualquier desecho adicional, poniendo agua en la extensión de la boquilla (Figura 44). Haga ésto de 30 a 60 segundos.





6. Instale de nuevo la boquilla y en el filtro en-línea en la extensión.
7. Conecte de nuevo la extensión de la boquilla a la pistola rociadora.
8. Conecte de nuevo el suministro de agua, prenda el agua, y encienda el motor.
9. Pruebe el lavador a presión al hacer funcionar con cada una de las boquillas de Conexiones rápidas que viene con el lavador a presión.

Mantenimiento de los Anillos 'O'

Durante la operación normal de su máquina lavadora a presión los anillos 'o' mantienen apretadas y libres de fugas las conexiones de las mangueras y la pistola, ellos pueden desgastarse o dañarse con el uso.

Su máquina lavadora a presión viene con un Juego de Mantenimiento para anillos 'O', el cual contiene anillos 'o', arandela de caucho y un colador de repuesto para la entrada de la manguera de jardín. La nota que no todas las partes en el juego se usarán en su unidad.

Para retirar un anillo 'O' desgastado o dañado:

- Utilice un destornillador de cabeza plana pequeño, colóquelo por debajo del anillo 'o' y sáquelo haciendo palanca.

MANTENIMIENTO DEL MOTOR

Consulte el manual del propietario del motor para las instrucciones de cómo mantener adecuadamente el motor.



¡PRECAUCIÓN! Evite el contacto prolongado o repetido de piel con aceite usado de motor. El aceite usado del motor ha sido mostrado al cancer de la piel de la causa en ciertos animales del laboratorio. Completamente lavado expuso áreas con el jabón y el agua.
MANTENGA FUERA DE ALCANCE DE NIÑOS. NO CONTAMINE. CONSERVE los RECURSOS. VUELVA ACEITE USADO A la COLECCION CENTRA.

PREPARANDO LA UNIDAD PARA SU ALMACENAMIENTO

El agua no debe permanecer en la unidad por un largo periodo de tiempo. Los sedimentos o minerales se pueden depositar en las piezas de la bomba y "congelar" la acción de la bomba. Si usted no piensa usar el lavador a presión por mas de 30 días, siga este procedimiento:

1. Vacíe el tubo de detergente, colocando el filtro en un envase lleno de agua limpia mientras esté corriendo el agua a baja presión. Lave por 1 o 2 minutos.
2. Apague el motor y permita refrescar, entonces quita mangas altas de presión y jardín. Desconecte el alambre de la bujía.
3. Vacíe todos los líquidos presentes en la bomba, halando la manecilla de retroceso hasta seis veces. Esto debería remover la mayor parte de los líquidos presentes en la bomba.
4. El salvador de la bomba de la marca del uso Generac a previene la corrosión construye y helado de bomba.
5. Almacene la unidad en un lugar limpio y seco.

Proteger la Bomba

A protege al PumpSaver de uso de bomba Generac a previene congelar el daño y lubrica émbolos y sellos.

NOTA: El PumpSaver de Generac, el modelo numera 01559, están disponible sólo como un accesorio opcional. No es incluido con la arandela de la presión.

¡PRECAUCIÓN! Usted deberá proteger su unidad de las temperaturas de congelamiento. Si No lo hace, dañará permanentemente la bomba y la unidad No podrá funcionar. La garantía no cubre el daño de la unidad ocasionado por congelamiento.



¡PRECAUCIÓN! Lea y siga todo advierte y las advertencias en el PumpSaver pueden marcar. Siempre protección de ojo de uso cuando se usa PumpSaver.

Al uso PumpSaver, cerciórese la arandela de la presión se apaga y desconecta del agua del suministro. Lea y siga todas instrucciones y las advertencias dadas en el contenedor de PumpSaver.

NOTA: PumpSaver goteará de la bomba después que el tratamiento y manchará madera y cemento.

NOTA: Si el PumpSaver no está disponible, ponga anticongelante RV (que no contenga alcohol) en la bomba, en una sección de 3 pies de la manguera del jardín conectada a un adaptador y halando la manecilla dos veces.

ALMACENANDO EL MOTOR

Consulte el manual del propietario del motor para las instrucciones de cómo preparar adecuadamente el motor para su almacenamiento.

REPARACION DE DAÑOS

Problema	Causa	Solución
La bomba presenta los siguientes problemas: no produce presión, produce una presión errada, traqueteo, pérdida de agua, bajo volumen de agua.	<ol style="list-style-type: none"> 1. Está usando la boquilla de baja presión (negra). 2. La entrada de agua está bloqueada. 3. Suministro de agua inadecuado. 4. La manguera de entrada está doblada o presenta fugas. 5. El colador de la manguera de entrada está tapado. 6. El suministro de agua está por encima de los 100°F. 7. La manguera de alta presión está bloqueada o presenta fugas. 8. La pistola presenta fugas. 9. La boquilla está obstruida. 10. Bomba defectuosa. 	<ol style="list-style-type: none"> 1. Cambie la boquilla a una de las tres boquillas de alta presión. 2. Limpie la entrada. 3. Proporcione flujo de agua adecuado. 4. Remplace la manguera. 5. Revise y limpie el colador de la manguera de entrada. 6. Proporcione suministro de agua más fría. 7. Retire las obstrucciones de la manguera de salida. 8. Remplace la pistola. 9. Limpie la boquilla. 10. Póngase en contacto con el centro de servicio Generac.
El detergente no se mezcla con el rociado.	<ol style="list-style-type: none"> 1. El tubo de succión de detergente no está sumergido. 2. El filtro de químicos está tapado. 3. Sucio en el filtro de la línea. 4. Está usando la boquilla de alta presión. 	<ol style="list-style-type: none"> 1. Coloque el tubo de succión de detergente en el detergente. 2. Limpie o remplace el filtro/tubo de succión de detergente. 3. Vea "Cheque En el Filtro de la Línea" en la página 31. 4. Use la boquilla de baja presión (negra).
El motor funciona bien cuando no tiene cargas, pero funciona "mal" cuando se conecta una carga.	La velocidad del motor es demasiado lenta.	Mueva el control de la válvula de regulación a la posición FAST (RAPIDO). Si el motor continua funcionando mal, póngase en contacto con el centro de servicio Briggs and Stratton.
El motor no arranca; o arranca y funciona mal.	<ol style="list-style-type: none"> 1. Depurador de aire sucio. 2. Sin gasolina. 3. Gasolina vieja. 4. El alambre de la bujía no está conectado a la bujía. 5. Bujía mala. 6. Agua en la gasolina. 7. Estrangulación excesiva. 8. Humo blanco en el escape. 9. Válvula de entrada trabada en la posición abierta o cerrada. 10. El motor ha perdido compresión. 	<ol style="list-style-type: none"> 1. Limpie o remplace el depurador de aire. 2. Llene el tanque de combustible. 3. Drene el tanque de gasolina; llénelo con combustible fresco. 4. Conecte el alambre a la bujía. 5. Remplace la bujía. 6. Drene el tanque de gasolina; llénelo con combustible fresco. 7. Abra el cebador por completo y haga girar el motor. 8. Póngase en contacto con el centro de servicio Briggs and Stratton. 9. Póngase en contacto con el centro de servicio Briggs and Stratton. 10. Póngase en contacto con el centro de servicio Briggs and Stratton.
El motor se apaga durante la operación.	Sin gasolina.	Llene el tanque de combustible.
El motor no tiene fuerza.	Filtro de aire sucio.	Remplace el filtro de aire.
El motor intenta estabilizarse o su funcionamiento no es constante.	Cebador abierto demasiado rápido.	Mueva el cebador a la posición intermedia hasta que el motor funcione normalmente.

GARANTÍA LIMITADA

PÓLIZA DE GARANTÍA PARA LOS PROPIETARIOS DE PRODUCTOS PORTÁTILES GENERAC Efectiva desde el 1ro de Octubre, 2001

GARANTÍA LIMITADA

"Los productos portátiles Generac, LLC reparará o reemplazará, sin costo alguno, cualquier parte o partes del equipo que estén defectuosas en materiales o mano de obra, o ambos. Los cargos por concepto de transporte en las partes sometidas a reparación o reemplazo bajo esta garantía deben ser cubiertos por el comprador. Esta garantía es efectiva por un cierto periodo de tiempo y está sujeta a las condiciones provistas en la póliza. Para el servicio de garantía, consiga el concesionario autorizado más cercano en nuestro mapa localizador de concesionarios en www.generac-portables.com o llame al 1-877-544-0982. NO EXISTE OTRA GARANTÍA EXPRESA. LAS GARANTÍAS IMPLÍCITAS, INCLUYENDO AQUELLAS DE MERCANTIBILIDAD O CAPACIDAD PARA UN PROPÓSITO PARTICULAR, ESTÁN LIMITADAS AL PERIODO DE TIEMPO ESPECIFICADO, O HASTA EL LÍMITE PERMITIDO POR LA LEY, TODA Y CUALQUIER GARANTÍA IMPLÍCITA ESTÁ EXCLUIDA. RESPONSABILIDAD POR DAÑOS CONSECUENTES BAJO CUALQUIER Y TODAS LAS GARANTÍAS, ESTÁN EXCLUIDAS HASTA EL LÍMITE DE EXCLUSIÓN PERMITIDO POR LA LEY. Algunos estados no permiten limitaciones en cuánto y cuán implicadas, las garantías pueden ser y algunos estados no permiten la exclusión o limitación de daños incidentales o consecuentes, por lo que las limitaciones y exclusiones arriba mencionadas, es posible, que no se apliquen a usted. Esta garantía le proporciona derechos legales específicos y es posible que usted tenga otros derechos los cuales pueden variar de estado a estado y de país a país."

PERIODO DE GARANTÍA*

PRODUCTOS**	PARA USO DEL CONSUMIDOR	PARA USO COMERCIAL	UNIDADES REACONDICIONADAS POR LA FABRICA
Generador portátil (Válvula lateral con motor)	1 año	90 días	90 días
Generador portátil (Motor de válvula superior)	2 años (el segundo año solamente para las partes)	1 año	90 días
Lavador eléctrico a presión	1 año	ninguno	ninguno
Lavador de gasolina a presión	1 año	90 días	90 días

* El periodo de garantía comienza en la fecha de compra hecha por el primer consumidor al detal o usuario comercial, y continúa por el periodo de tiempo que aparece en la tabla arriba mencionada. "Para uso del consumidor" significa, uso residencial por un consumidor al detal. "Para uso comercial" significa, todos los otros casos, incluyendo el uso comercial, para generar un ingreso o por propósitos de alquiler. Una vez que el equipo ha sido usado comercialmente, debería ser considerado como de uso comercial para las finalidades de esta garantía. El equipo usado, el equipo de demostración y el equipo usado como energía primaria en lugares donde las utilidades públicas no están garantizados. Los accesorios tales como pistolas, mangueras, varillas y boquillas están excluidos de la garantía del producto.

** El motor a gasolina y las baterías para el encendido, están garantizados por el fabricante de esos productos.

EL REGISTRO DE LA GARANTÍA NO ES NECESARIO PARA OBTENER LA GARANTÍA EN LOS EQUIPOS PORTÁTILES DE GENERAC. GUARDE SU RECIBO DE COMPRA. SI USTED NO PROVEE LA PRUEBA DE LA FECHA DE LA COMPRA INICIAL, AL MOMENTO EN QUE SE REQUIERA USAR LA GARANTÍA, LA FECHA DE LA FABRICACIÓN DEL EQUIPO SERÁ USADA PARA DETERMINAR EL PERIODO DE GARANTÍA.

Acerca de la seguridad de su equipo:

Los Productos Portátiles Generac, reciben las reparaciones bajo la garantía y le pide disculpas por cualquier inconveniencia causada. Cualquier Concesionario de Servicio Autorizado puede llevar a cabo reparaciones bajo la garantía. La mayoría de las reparaciones bajo la garantía son manejadas normalmente, pero algunas veces la solicitud del servicio de garantía es posible que no sea apropiada. Por ejemplo, la garantía no será válida si el daño al equipo ocurrió debido al mal uso, falta de mantenimiento adecuado, manejo, envío, almacenamiento o una instalación inadecuada. Similarmente, la garantía es anulada si el número de serial del equipo ha sido removido o el equipo ha sido alterado o modificado.

Si un cliente no está de acuerdo con la decisión hecha por el Concesionario de Servicio, se llevará a cabo una investigación para determinar si la garantía se puede aplicar. Pida al Concesionario de Servicio que entregue todos los hechos que soportan su decisión a su Distribuidor, para que éste los revise. Si el Distribuidor decide que el reclamo es justificado, al cliente se le reembolsará completamente por todos esos artículos que están defectuosos. Para evitar un malentendido que pueda ocurrir entre el Concesionario y el cliente, abajo aparecen algunos de las razones por las cuales el equipo puede fallar, y que la garantía no cubre:

Desgaste normal:

Equipo eléctrico al aire libre, como todos los aparatos mecánicos, necesita partes, servicio y reemplazo, periódicamente, para que funcione bien. Esta garantía no cubre la reparación cuando el uso normal ha acabado con la vida de una parte en particular o del equipo.

Instalación y mantenimiento:

Esta garantía no se aplica al equipo o parte que ha estado sujeta a una instalación inadecuada, que no haya sido autorizada o a cualquier tipo de alteración, el mal uso, negligencia, accidentes, sobrecarga, velocidad excesiva, mantenimiento inadecuado, reparación o almacenamiento, que según la opinión de los Productos Portátiles Generac, han afectado desfavorablemente su rendimiento y fiabilidad. Esta garantía también no cubre el mantenimiento normal tales como ajustes, limpieza del sistema de combustión y la obstrucción (debido a materias químicas, suciedad, carbón o cal, etc.)

Otras exclusiones:

También se encuentran excluidos de esta garantía, el desgaste de los artículos tales como, conectadores, medidores de aceite, correas, anillos O, filtros, empaque de la bomba, etc. las bombas que se hagan funcionar o trabajar sin agua, o daños y malfuncionamientos que resulten de accidentes, abusos, modificaciones, alteraciones, un servicio inadecuado, congelamiento o deterioro químico.

La garantía se encuentra disponible solamente a través de los concesionarios de servicios autorizados por los Productos Portátiles Generac. Esta garantía no se aplica al servicio proveniente de cualquier otra entidad.

Usted puede ubicar su Concesionario de Servicio Autorizado de los Productos Portátiles de Generac más cercano, en nuestro mapa localizador de concesionarios en www.generac-portables.com o llame al 1-877-544-0982.

Los Productos Portátiles de Generac están fabricados bajo una o más de las siguientes patentes: (Otras patentes están pendientes)

5902094

5823752

5718255

5890413

Generac Portable Products, LLC
Jefferson, Wisconsin U.S.A.

LIMITED WARRANTY

GENERAC PORTABLE PRODUCTS OWNER WARRANTY POLICY Effective October 1, 2001

LIMITED WARRANTY

"Generac Portable Products, LLC will repair or replace, free of charge, any part, or parts of the equipment that are defective in material or workmanship or both. Transportation charges on parts submitted for repair or replacement under this Warranty must be borne by purchaser. This warranty is effective for the time periods and subject to the conditions provided for in this policy. For warranty service, find the nearest Authorized Service Dealer in our dealer locator map at www.generac-portables.com or call 1-877-544-0982. THERE IS NO OTHER EXPRESS WARRANTY. IMPLIED WARRANTIES, INCLUDING THOSE OF MERCHANTABILITY AND FITNESS FOR A PARTICULAR PURPOSE, ARE LIMITED TO THE TIME PERIOD SPECIFIED, OR TO THE EXTENT PERMITTED BY LAW ANY AND ALL IMPLIED WARRANTIES ARE EXCLUDED. LIABILITY FOR CONSEQUENTIAL DAMAGES UNDER ANY AND ALL WARRANTIES ARE EXCLUDED TO THE EXTENT EXCLUSION IS PERMITTED BY LAW. Some states do not allow limitations on how long an implied warranty lasts, and some states do not allow the exclusion or limitation of incidental or consequential damages, so the above limitation and exclusion may not apply to you. This warranty gives you specific legal rights and you may also have other rights which vary from state to state and country to country."

WARRANTY PERIOD*

PRODUCTS**	CONSUMER USE	COMMERCIAL USE	FACTORY RECONDITIONED UNITS
Portable Generator (Side Valve Engine Powered)	1 year	90 days	90 days
Portable Generator (Overhead Valve Engine Powered)	2 years (2nd year parts only)	1 year	90 days
Electric Powered Pressure Washer	1 year	None	None
Gasoline Powered Pressure Washer	1 year	90 days	90 days

* The warranty period begins on the date of purchase by the first retail consumer or commercial end user, and continues for the period of time stated in the table above. "Consumer use" means personal residential household use by a retail consumer. "Commercial use" means all other uses, including use for commercial, income producing or rental purposes. Once equipment has been used commercially, it shall thereafter be considered to be in commercial use for purposes of this warranty. Used equipment, demonstration equipment and equipment used for prime power in place of a utility are not warranted. Accessory parts such as guns, hoses, wands and nozzles are excluded from the product warranty.

** The gasoline engine and starting batteries are warranted solely by the manufacturers of those products.

WARRANTY REGISTRATION IS NOT NECESSARY TO OBTAIN WARRANTY ON GENERAC PORTABLE PRODUCTS EQUIPMENT. SAVE YOUR PROOF OF PURCHASE RECEIPT. IF YOU DO NOT PROVIDE PROOF OF THE INITIAL PURCHASE DATE AT THE TIME WARRANTY SERVICE IS REQUESTED, THE MANUFACTURING DATE OF THE EQUIPMENT WILL BE USED TO DETERMINE THE WARRANTY PERIOD.

About your equipment warranty:

Generac Portable Products welcomes warranty repair and apologizes to you for being inconvenienced. Any Authorized Service Dealer may perform warranty repairs. Most warranty repairs are handled routinely, but sometimes requests for warranty service may not be appropriate. For example, warranty would not apply if equipment damage occurred because of misuse, lack of routine maintenance, shipping, handling, warehousing or improper installation. Similarly, warranty is void if the serial number of the equipment has been removed or the equipment has been altered or modified.

If a customer differs with the decision of the Service Dealer, an investigation will be made to determine whether the warranty applies. Ask the Service Dealer to submit all supporting facts to its Distributor for review. If the Distributor decides that the claim is justified, the customer will be fully reimbursed for those items that are defective. To avoid misunderstandings that might occur between the customer and the Dealer, listed below are some of the causes of equipment failure that the warranty does not cover:

Normal wear:

Outdoor Power Equipment, like all mechanical devices, needs periodic parts, service and replacement to perform well. This warranty does not cover repair when normal use has exhausted the life of a part or the equipment.

Installation and Maintenance:

This warranty does not apply to equipment or parts that have been subjected to improper or unauthorized installation or alteration, misuse, negligence, accident, overloading, overspeeding, improper maintenance, repair or storage so as, in Generac Portable Products' judgment, to adversely affect its performance and reliability. This warranty also does not cover normal maintenance such as adjustments, fuel system cleaning and obstruction (due to chemical, dirt, carbon or lime, etc.).

Other Exclusions:

Also excluded from this warranty are wear items such as quick couplers, oil gauges, belts, o-rings, filters, pump packing, etc., pumps which have been run without water supplied or damage or malfunctions resulting from accidents, abuse, modifications, alterations, or improper servicing or freezing or chemical deterioration.

Warranty is available only through service dealers authorized by Generac Portable Products. This warranty does not apply to service by any other entity.

You may locate your nearest Authorized Generac Portable Product Service Dealer in our dealer locator map at www.generac-portables.com or call 1-877-544-0982.

Generac Portable Products Are Made Under One Or More Of The Following Patents: (Other Patents Pending)			
5902094	5823752	5718255	5890413

Generac Portable Products, LLC
Jefferson, Wisconsin U.S.A.