

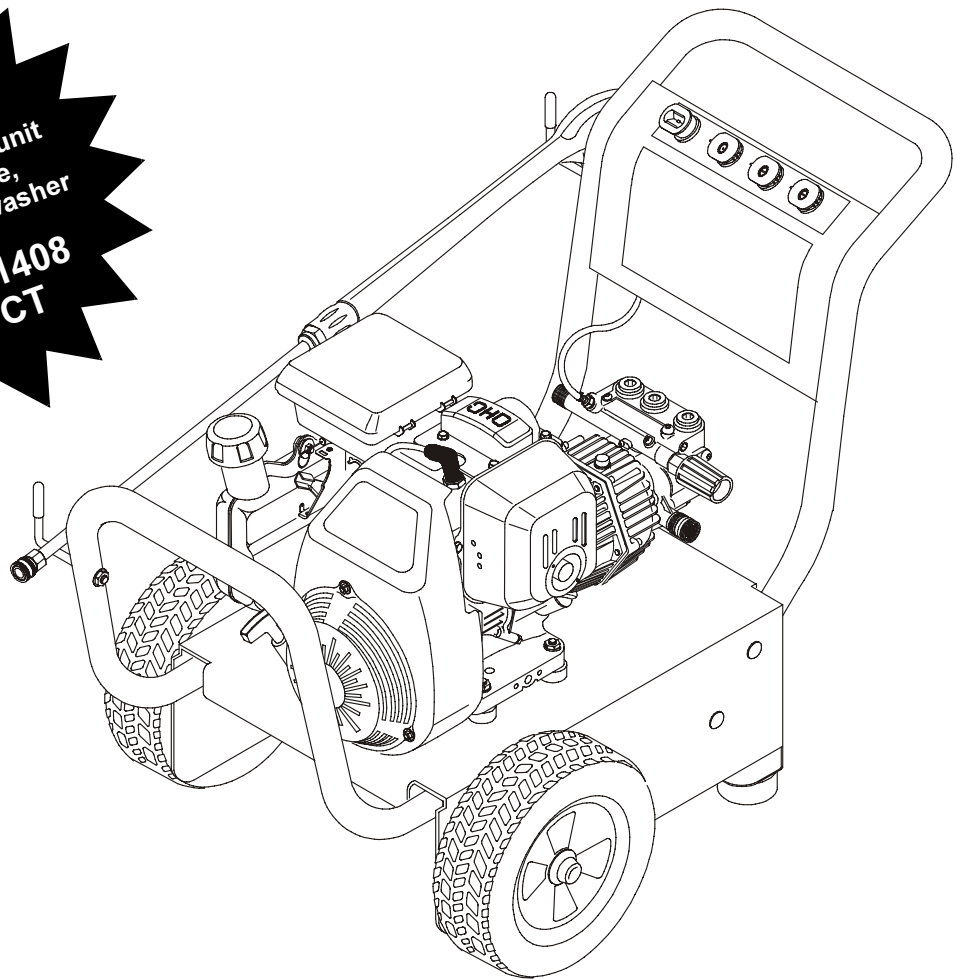
GENERAC

The Reliable Ones

2200 PSI

Pressure Washer Owner's Manual

**Problems?
Questions?**
Before taking your unit
back to the store,
call the pressure washer
helpline at
1-800-270-1408
M-F 8-5 CT



Model No. 1294-0 (2200 psi High Pressure Washer) Manual No. B3856 Revision 2 (7/20/1999)

Visit our Generac website: www.generac-portables.com





This is the safety alert symbol. It is used to alert you to potential personal injury hazards. Obey all safety messages that follow this symbol to avoid possible injury or death.




IMPORTANT! — SAFETY RULES — IMPORTANT!

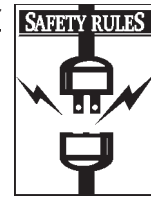
Save for future reference

 **WARNING:** 

The engine exhaust from this product contains chemicals known to the State of California to cause cancer, birth defects, or other reproductive harm.

 **CAUTION!** Always disconnect spark plug wire and place wire where it cannot contact spark plug to prevent accidental starting when setting up, transporting, adjusting or making repairs to your high pressure washer.

- Engine exhaust gases contain DEADLY carbon monoxide gas. This dangerous gas, if breathed in sufficient concentrations, can cause unconsciousness or even death. Operate this equipment only in the open air where adequate ventilation is available.
- Gasoline is highly FLAMMABLE and its vapors are EXPLOSIVE. Do not permit smoking, open flames, sparks or heat in the vicinity while handling gasoline. Avoid spilling gasoline on a hot engine. Allow unit to cool for 2 minutes before refueling. Comply with all laws regulating storage and handling of gasoline.
- Locate this pressure washer in areas away from combustible materials, combustible fumes or dust.
- The high pressure equipment is designed to be used with Generac authorized parts only. If you use this equipment with parts that do not comply with minimum specifications, the user assumes all risks and liabilities.
- Some chemicals or detergents may be harmful if inhaled or ingested, causing severe nausea, fainting or poisoning. The harmful elements may cause property damage or severe injury.
- Do not allow CHILDREN to operate the Pressure Washer at any time.
- Operate engine only at governed speed. Running the engine at excessive speeds increases the hazard of personal injury. Do not tamper with parts which may increase or decrease the governed speed.
- Do not wear loose clothing, jewelry or anything that may be caught in the starter or other rotating parts.
- Before starting the Pressure Washer in cold weather, check all parts of the equipment and be sure ice has not formed there.
- Units with broken or missing parts, or without protective housing or covers should NEVER be operated.
- The muffler and air cleaner must be installed and in good condition before operating the Pressure Washer. These components act as spark arrestors if the engine backfires.
- Check the fuel system for leaks or signs of deterioration such as chafed or spongy hose, loose or missing clamps or damaged tank or cap. Correct all defects before operating the Pressure Washer.
- Do not spray flammable liquids.
- Never aim the gun at people, animals or plants.



IMPORTANT! — SAFETY RULES — IMPORTANT!

Save for future reference

- High pressure spray can cause paint chips or other particles to become airborne and fly at high speeds.
- Never allow any part of the body to come in contact with the fluid stream. DO NOT come in contact with a fluid stream created by a leak in the high pressure hose.
- The high pressure stream of water that this equipment produces can pierce skin and its underlying tissues, leading to serious injury and possible amputation.
- Always wear eye protection when you use this equipment or when you are in the vicinity where the equipment is in use.
- Operate the pressure at no more than the PSI fluid pressure rated for your pressure washer.
- Never move the machine by pulling on the high pressure hose. Use the handle provided on the top of the unit.
- Always be certain the spray gun, nozzles and accessories are correctly attached.
- Never use a spray gun which does not have a trigger lock or trigger guard in place and in working order.
- Use a respirator or mask whenever there is a chance that vapors may be inhaled. Read all instructions with mask so you are certain the mask will provide the necessary protection against inhaling harmful vapors.
- High pressure spray may damage fragile items including glass. Do not point spray gun at glass when in the jet spray mode.
- Keep the hose connected to machine or the spray gun while the system is pressurized. Disconnecting the hose while the unit is pressurized is dangerous.
- Hold the spray gun firmly in your hand before you start the unit. Failure to do so could result in an injury from a whipping spray gun. Do not leave the spray gun unattended while the machine is running.
- The cleaning area should have adequate slopes and drainage to reduce the possibility of a fall due to slippery surfaces.
- Keep water spray away from electric wiring or fatal electric shock may result.
- Do not secure trigger gun in the pull-back (open) position.
- Do not by-pass any safety device on this machine.
- The muffler and engine heat up during operation and remain hot immediately after shutting it down. Avoid contact with a hot muffler or engine or you could be severely burned.
- Operate and store this unit on a stable surface.
- High pressure hose can develop leaks from wear, kinking, abuse, etc. Water spraying from a leak is capable of injecting material into skin. Inspect hose each time before using it. Check all hoses for cuts, leaks, abrasions or bulging of cover, or damage or movement of couplings. If any of these conditions exist, replace hose immediately. Never repair high pressure hose. Replace it with another hose that meets minimum pressure rating of your pressure washer.



CONGRATULATIONS on your purchase of a GENERAC high pressure washer. It has been designed, engineered and manufactured to give you the best possible dependability and performance.

Should you experience any problem you cannot easily remedy, call the pressure washer helpline at **1-800-270-1408**.

Please read and retain this manual. The instructions will enable you to assemble and maintain your high pressure washer properly.

CUSTOMER RESPONSIBILITIES

- Read and observe the safety rules.
- Follow regular schedule in maintaining, caring for and using your high pressure washer.
- Follow the instructions under "Customer Responsibilities" and "Storage" sections of this Owner's Manual.

Model Number	1294-0
Serial Number	_____
Date of Purchase	_____

The model and serial numbers will be found on a decal attached to the pressure washer. Record both serial number and date of purchase and keep in a safe place for future reference.

PRODUCT SPECIFICATIONS

Pressure Washer Specifications

- Outlet Pressure** 2200 psi
- Flow Rate** 2.5 gallons per minute (gpm)
- Detergent Mix** Use undiluted detergent approved for pressure washers
- Water Supply Temperature** Not to Exceed 140°F
- Automatic Cool Down System** Will cycle when water reaches 140°-145°F

Engine Specifications

- Engine Model** Honda GC 160 QHA
- Rated Horsepower** 5.0
- Displacement** 160cc
- Spark Plug**
- Type** NGK:BPR6ES
- Set Gap To:** 028-.031 inch (.7-.8mm)
- Gasoline Capacity** 1.8 U.S. quarts
- Oil** SAE 10W30

In the State of California a spark arrestor is required by law (Section 4442 of the California Public Resources Code). Other states may have similar laws. Federal laws apply on federal lands.

NOTE: If you equip the muffler with a spark arrestor, it must be maintained in effective working order.

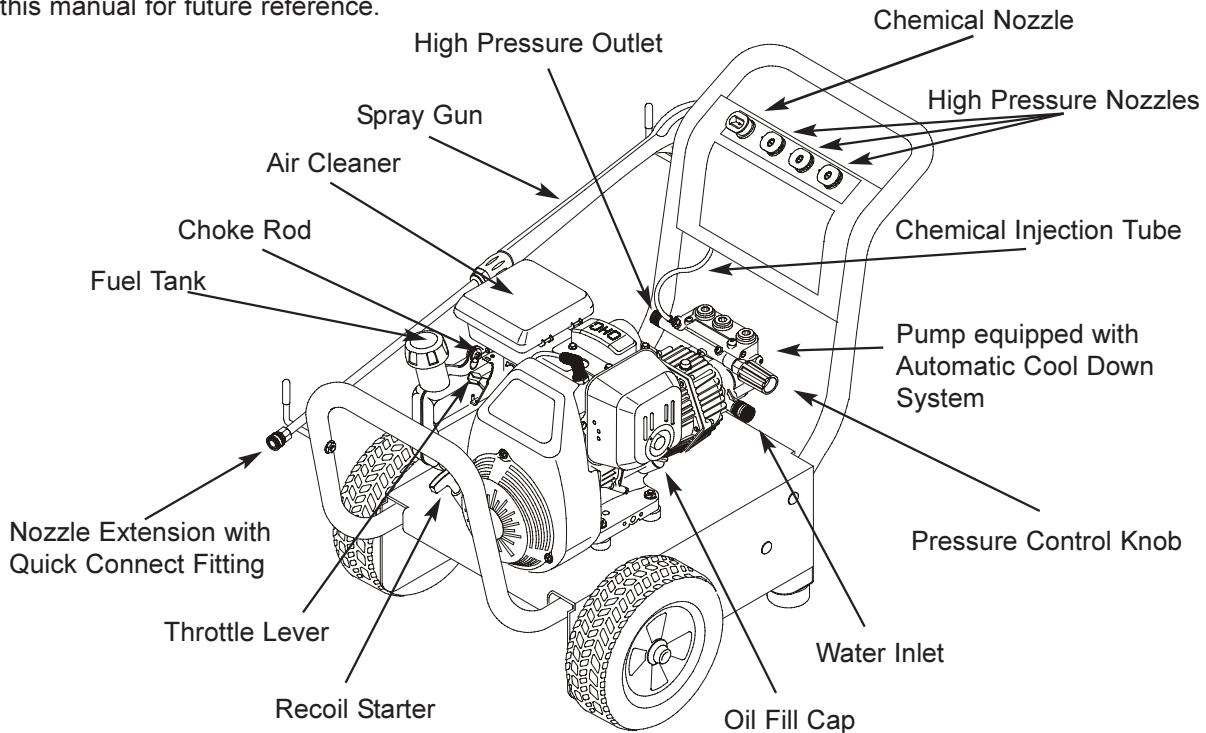
You can order a spark arrestor through your authorized Honda service dealer.



KNOW YOUR PRESSURE WASHER

Read this owner's manual and safety rules before operating your high pressure washer.

Compare the illustrations with your high pressure washer to familiarize yourself with the location of the controls. Save this manual for future reference.



Air Cleaner — Dry type filter element limits the amount of dirt and dust that gets in the engine.

Automatic Cool Down System — Cycles water through pump when water reaches 140°-145°F. Warm water will discharge from pump onto ground. This system prevents internal pump damage.

Chemical Injection Tube—Used to siphon chemical from the detergent container to the pump.

Chemical Nozzle — Use this nozzle to apply chemical.

Choke Rod— Prepares a cold engine for starting.

Fuel Tank — Fill engine with regular unleaded gasoline here.

Goggles (not shown) — Always use the goggles or other eye protection when running your pressure washer.

High Pressure Hose (not shown)— Connect one end to water pump and the other end to spray gun. Store hose on hook on the rear of the unit

High Pressure Nozzles — Use these nozzles to clean and scour a surface. These nozzles vary the spray pattern of the

high pressure stream and cannot be used to apply chemical.

High Pressure Outlet — Connection for high pressure hose.

Nozzle Extension with Quick-Connect Fitting — You must attach this to the spray gun to use the nozzles. The quick-connect fitting lets you quickly exchange the four provided nozzles to adjust the spray pattern of the high pressure spray and apply chemical.

Oil Fill Cap —Fill engine with oil here. See page 7 for oil requirements.

Pressure Control Knob — Varies the pressure of the high pressure spray.

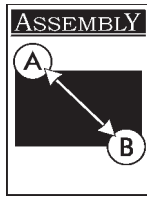
Pump — Develops high pressure.

Recoil Starter — Used for starting the engine manually.

Spray Gun — Controls the application of water onto cleaning surface with trigger. Includes safety latch.

Throttle Lever—Sets engine in starting mode for recoil starter and stops a running engine.

Water Inlet — Connection for garden hose.



WARNING! Read entire owner's manual before you attempt to assemble or operate your new pressure washer.

REMOVE PRESSURE WASHER FROM CARTON

- Remove the handle and parts box included with pressure washer.
- Slice two corners at the end of carton from top to bottom so the panel can be folded down flat, then remove all packing material.
- Roll pressure washer out of carton.

Carton Contents

Items in the carton include:

- Main Unit
- High Pressure Hose
- Handle
- Parts Box (which includes the following):
 - Oil Bottle
 - Goggles
 - Nozzle Cleaning Kit
 - Bag Containing 4 Multi-Colored Nozzles
 - O-Ring Maintenance Kit
 - Owner's & Engine Manual
 - Spray Gun
 - Nozzle Extension with Quick-Connect Fitting.
 - Parts Bag (hardware to attach handle)

If any of the above parts are missing or damaged, call the pressure washer helpline at **1-800-270-1408**.

PREPARE PRESSURE WASHER FOR USE

If you have any problems with the assembly of your pressure washer or if parts are missing or damaged, call the Pressure Washer Helpline at **1-800-270-1408**.

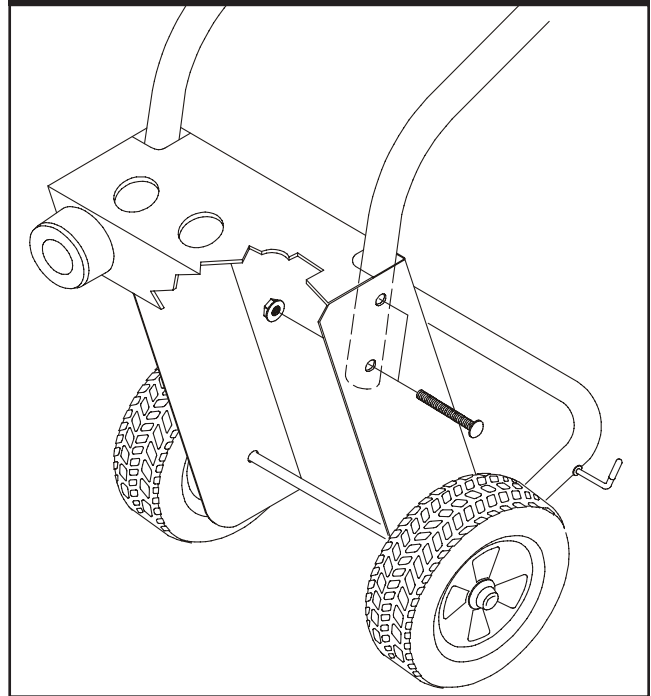
Perform these tasks to prepare unit:

- Attach the handle to the main unit.
- Add oil to the engine.
- Add fuel to the fuel tank.
- Connect the high pressure hose to the spray gun and the pump and connect the water supply to the pump.

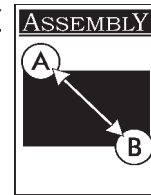
Attach Handle to Pressure Washer

To attach handle to the pressure washer (Figure 1):

Figure 1 — Attach Handle to Pressure Washer



- Slowly tip the pressure washer forward and let it gently rest on the front bumper.
- Align the holes on the handle with the holes on the base.
- Insert the carriage bolts provided to hold the handle in place.
- Secure handle to the pressure washer using the four provided flange nuts.
- Slowly tip the pressure washer back in place and insert the multi-colored nozzles in the spaces provided in the handle.



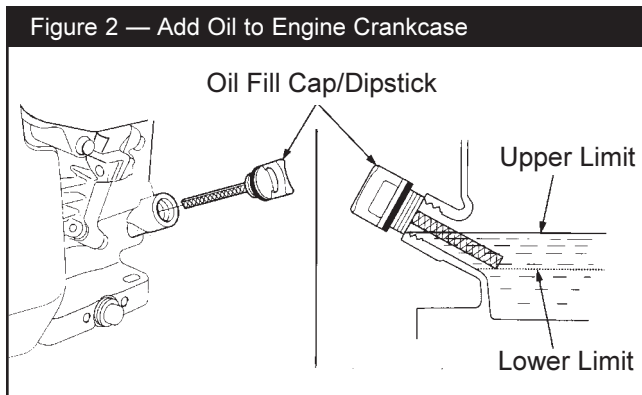
Add Engine Oil



WARNING! Any attempt to crank or start the engine before it has been properly serviced with the recommended oil will result in an engine failure.

Use only high quality detergent oil rated with API service classification SF or SG rated 10W30. Do not use SAE 10W40 oil.

- Place the pressure washer on a level surface.
- Clean the area around oil fill and remove the oil dipstick (Figure 2).



- Wipe the dipstick clean.
- Insert and remove the dipstick without screwing it into the filler neck. Check the oil level shown on the dipstick.
- If the oil level is low, fill to the edge of the oil filler hole with the recommended oil. DO NOT OVERFILL.
- Reinstall the oil dipstick, hand tighten securely.

Note: Check Oil Often During Engine Break-in.

Add Gasoline

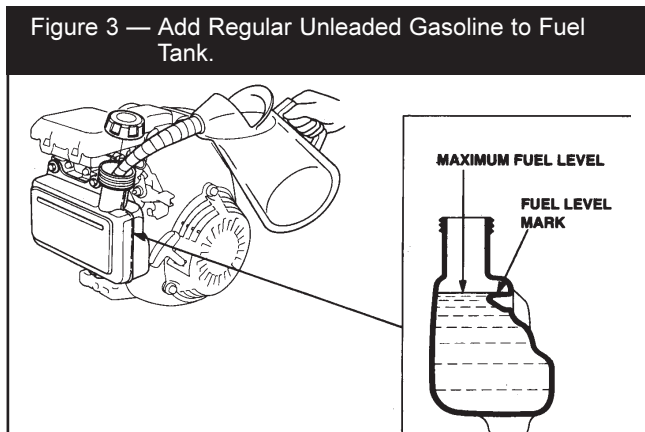


DANGER! Never fill fuel tank indoors, or when engine is running or hot. Do not smoke when filling fuel tank.



WARNING! Always fill tank to about 1/2" below the bottom of the filler neck to provide space for fuel expansion. Wipe away fuel spillage before starting engine.

- Use clean fuel and store in approved, clean covered containers. Use clean fill funnels. Never use "stale" gasoline left over from last season or gasoline stored for long periods.
- Clean the area around the fuel fill cap, remove the cap (Figure 3).

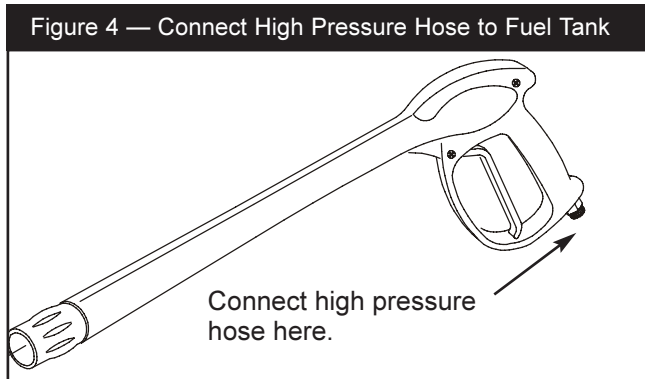


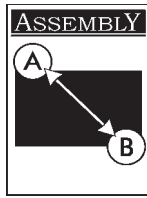
- Add **regular UNLEADED gasoline**, slowly, to fuel tank. Use a funnel to prevent spillage.
- Install the fuel cap and wipe up any spilled gasoline.

Connect Hose and Water Supply to Pump

IMPORTANT: You must assemble the wand and attach all hoses before you start the engine. Starting engine without all hoses connected and water supplied will damage the pump.

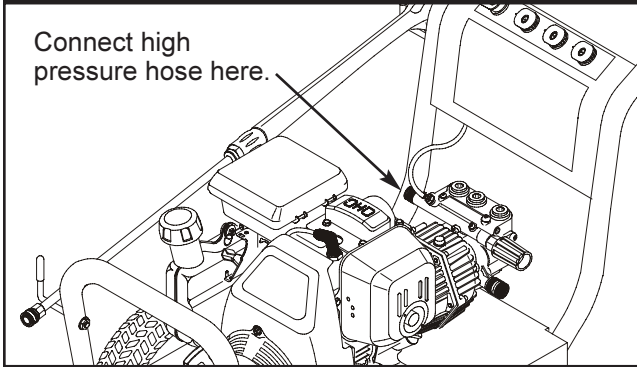
- Uncoil the high pressure hose and attach one end of the hose to the base of the spray gun. (Figure 4). Tighten by hand.





- Attach the other end of the high pressure hose to the high pressure outlet on the pump (Figure 5). Tighten by hand.

Figure 5 — Connect High Pressure Hose to Pump



- Before you connect your garden hose to the water inlet, inspect the Inlet Screen (Figure 6). Clean the screen if it contains debris or have it replaced if damaged. **DO NOT RUN THE PRESSURE WASHER IF THE SCREEN IS DAMAGED.**
- Run water through your garden hose for 30 seconds to clean out any debris .
- Connect the garden hose to the water inlet. Tighten by hand (Figure 6).

Figure 6 — Connect the Garden Hose to Water Inlet and Turn ON the Water.



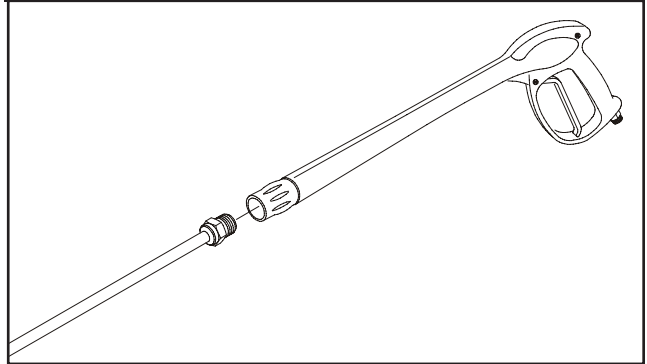
- Turn ON the water.
- Squeeze the trigger on the gun to purge the pump system of air and impurities.



CAUTION: Before starting the pressure washer, be sure you are wearing adequate eye protection.

- Attach the nozzle extension to the spray gun. Tighten by hand (Figure 7).

Figure 7 — Connect Nozzle Extension to Spray Gun



CHECKLIST BEFORE STARTING ENGINE

Review the assembly to ensure you have performed all of the following.

- Check for properly tightened hose connections (high pressure and water supply) and for tight connections and that there are no kinks, cuts, or damage to the high pressure hose.
- Check that oil has been added to the proper level in the engine crankcase before trying to start the pressure washer.
- Add the proper gasoline to fuel tank.
- Provide a proper water supply (not to exceed 140°F).
- Be sure to read the “Safety Rules” and “Operation” sections before using the pressure washer.



HOW TO USE PRESSURE WASHER

If you have any problems operating your pressure washer, please call the pressure washer helpline at **1-800-270-1408**.

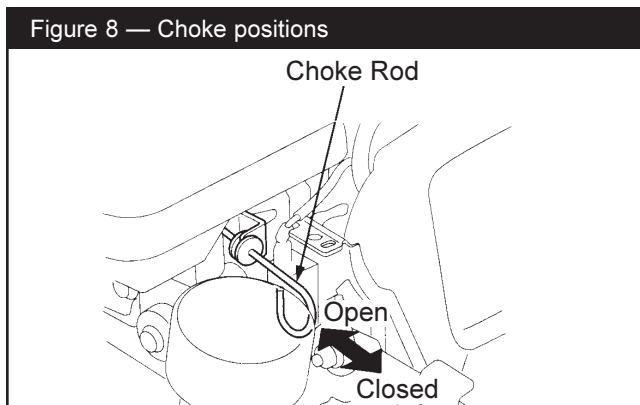
How to Start Engine

The best way to start the engine-powered pressure washer for the first time is to follow these instructions step-by-step. This starting information also applies whenever you start the engine after you have let the pressure washer sit idle for at least a day.

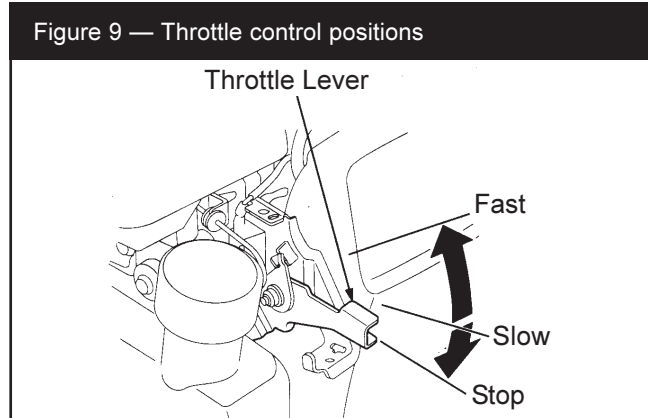
- Place the pressure washer in an area close enough to an outside water source that can flow at a rate of 3.0 gallons per minute.
- Check that the high pressure hose is tightly connected to the spray gun and to the pump. See “Preparing the Pressure Washer for First Use” on page 6.
- Connect the garden hose to the water inlet on the pressure washer pump and **turn on the water**.

WARNING! Do not run the pump without the water supply connected and turned on. You must follow this caution or the pump will be damaged.

- Pull the Choke to the **CLOSED** position (full choke) (Figure 8).



- Move the Throttle Control Lever to the ‘**Fast**’ position (Figure 9).



NOTE: For a warm engine, be sure the choke is in the **OPEN** position (no choke).

- Squeeze the trigger on the spray gun (make sure the nozzle is in low pressure mode) to relieve the air pressure caused by turning **ON** the water. Water will spew out of the gun in a thin stream. Hold the trigger until a steady stream of water appears. Release the trigger.
- Apply the safety latch to the spray gun trigger
- Grasp the rope handle and pull slowly until you feel some resistance. Then pull the cord rapidly to overcome compression, prevent kickback and start the engine. Let the rope return to the starter slowly.

NOTE: Always keep the Throttle Control Lever in the ‘**Fast**’ position when operating the pressure washer.

- If the engine fails to start repeat above steps.
- If the choke was pulled to the **CLOSED** position to start the engine, slowly push it to the **OPEN** position as soon as the engine runs smoothly.

How to Stop Pressure Washer

- Move the Throttle Control Lever to the ‘**Slow**’ position.
- Wait for the engine to idle down.
- Move the Throttle Control Lever to the ‘**Stop**’ position.
- Simply shutting off the engine will not release pressure in the system. **Squeeze trigger on the spray gun to relieve pressure in the hose.**

NOTE: A small amount of water will squirt out when you release the pressure.

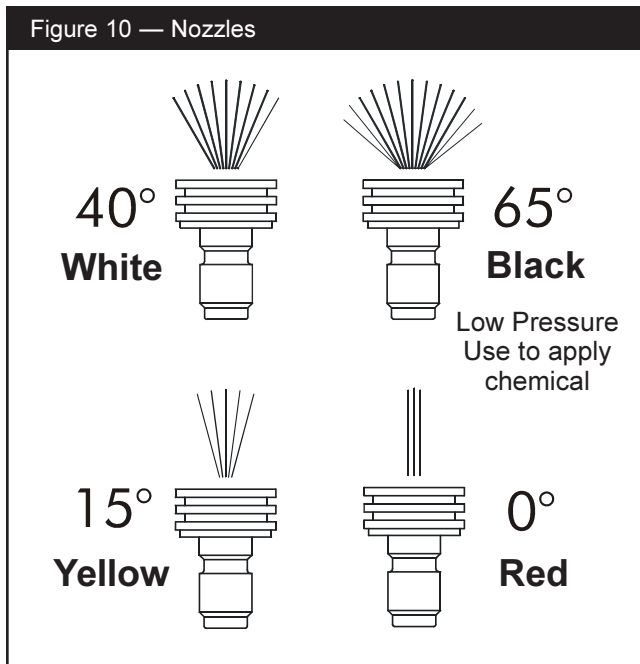


How to Use the Nozzles

If you have any problems operating your pressure washer, please call the pressure washer helpline at 1-800-270-1408.

! DANGER! Never exchange nozzles without locking the safety latch on the trigger.

The quick-connect on the nozzle extension allows you to switch between four different nozzles. The nozzles vary the spray pattern as shown below (Figure 10).



Follow these instructions to change nozzles:

- Engage the safety latch on the spray gun.
- Pull back the collar on the quick-connect and pull the current nozzle off. Store the nozzle in the space provided on the control panel.

NOTE: For a more gentle rinse, select white 40° nozzle. To scour the surface, select yellow 15° or red 0° nozzle. To apply chemical, select black 65° nozzle.

- Pull back on the collar, insert the new nozzle and release the collar. Pull on the nozzle to make sure it is securely in place.
- For most effective cleaning, keep the spray nozzle between 8 to 24 inches away from the cleaning

surface. If you get the spray nozzle too close, you may damage the cleaning surface.

Cleaning and Applying Chemical

! WARNING! You must **attach all hoses** before you start the engine. Starting the engine without all the hoses connected and without the water turned ON will damage the pump.

IMPORTANT: Use soaps designed specifically for pressure washers. Household detergents could damage the pump.

To apply detergent follow these steps:

- Review the use of the nozzles.
- Prepare the detergent solution as required by the manufacturer.
- Hang the detergent solution container on the hook at the rear of the pressure washer.
- Place the small filter of the chemical injection tube into the detergent container.

! CAUTION! Keep the chemical injection tube from coming in contact with the hot muffler. This will damage the chemical injection tube. When inserting the filter into a chemical bottle, route the tube so as to keep it from inadvertently contacting the hot muffler.

- Make sure the black nozzle is installed on the nozzle extension.

NOTE: Detergent cannot be applied with the high pressure nozzles (White, Yellow, or Red).

- Make sure the garden hose is connected to the water inlet. Check that high pressure hose is connected to spray gun and pump, then start engine.
- Apply the detergent to a dry surface, starting at lower portion of area to be washed and work upward, using long, even, overlapping strokes. **Do not allow the detergent to dry on.** This will prevent streaking.
- Allow the detergent to soak in between 3–5 minutes before washing and rinsing. Reapply as needed to prevent surface from drying.



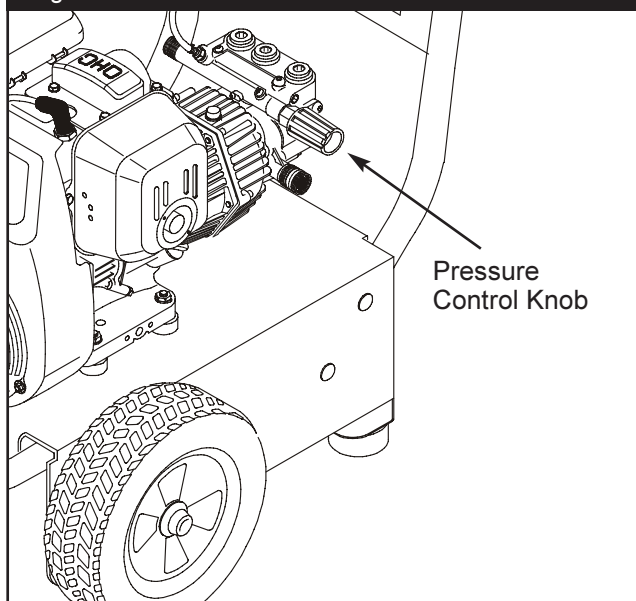
Pressure Washer Rinsing

WARNING! Be extremely careful if you must use the pressure washer from a ladder, scaffolding or any other relatively unstable location. Pressure in a running washer builds as you climb. When you press the trigger, the recoil from the initial spray could force you to fall. The high pressure spray could also force you to fall if you are too close to the cleaning surface.

After you have applied detergent, scour the surface and rinse it clean as follows:

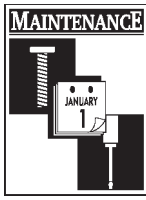
- Apply Safety Latch to spray gun.
- Remove the black chemical nozzle from the nozzle extension.
- Select and install the desired high pressure nozzle following the instructions “How to Use the Nozzles” on page 10.
- Keep the spray gun a safe distance from the area you plan to spray.
- Increase or decrease the pressure of the spray by turning the pressure control knob counterclockwise or clockwise respectively (Figure 11). Use lower pressure to wash items such as a car or boat. Use higher pressure to strip paint and degrease driveways.
- Apply a high pressure spray to an small area and then check the surface for damage. If no damage is found, you can assume it is okay to continue cleaning.
- Start at the top of the area to be rinsed, working down with same overlapping strokes as you used for cleaning.

Figure 11 — Pressure control knob



Automatic Cool Down System (Thermal Relief)

If you run the engine on your pressure washer for 3–5 minutes without pressing the trigger on the spray gun, circulating water in the pump can reach a temperature between 140–145°F. When the water reaches this temperature, the automatic cool down system engages and cools the pump by **discharging the warm water onto the ground**. This system prevents internal damage to the pump.



GENERAL MAINTENANCE RECOMMENDATIONS

The warranty of the high pressure washer does not cover items that have been subjected to operator abuse or negligence. To receive the full value from the warranty, the operator must maintain the high pressure washer as instructed in this manual.

- Some adjustments will need to be made periodically to properly maintain your high pressure washer.
- All adjustments in the Service and Adjustments section of this manual should be made at least once each season.
- Once a year you should clean or replace the spark plug and clean or replace the air filter and check the gun and wand assembly for wear. A new spark plug and clean air filter assure proper fuel-air mixture and help your engine run better and last longer.

Before Each Use

- Check engine oil level.
- Check water inlet screen for damage.
- Check high pressure hose for leaks.
- Check chemical injection tube and filter for damage.
- Check gun and nozzle extension assembly for leaks.
- Rinse out garden hose to flush out debris.

PRESSURE WASHER MAINTENANCE

Check and Clean Inlet Screen

Examine the screen on the water inlet. Clean it if the screen is clogged or replace it if screen is damaged.

Check High Pressure Hose

The high pressure hose can develop leaks from wear, kinking, or abuse. Inspect the hose each time before using it. Check for cuts, leaks, abrasions or

bulging of cover, damage or movement of couplings. If any of these conditions exist, replace the hose immediately.



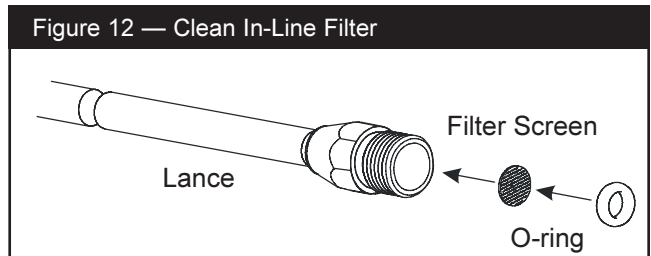
DANGER! Water spraying from a leak is capable of injecting material into skin. Inspect hose each time before using it. Never repair a high pressure hose. Replace it with another hose that meets the maximum pressure rating of your pressure washer.

Check Chemical Injection Tube

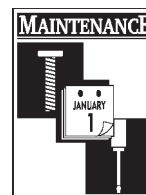
Examine the filter on the detergent hose and clean if clogged. The tube should fit tightly on the barbed fitting. Examine the tube for leaks or tears. Replace the filter or tube if either is damaged.

Check In-Line Filter

Refer to Figure 12 and service the in-line filter if it becomes clogged, as follows:



1. Detach gun and lance from high pressure hose. Detach lance from gun and remove o-ring and screen from lance. Flush the screen, gun, and lance with clean water to clear debris.
2. If the screen is damaged, the o-ring kit contains a replacement in-line filter screen and an o-ring. If undamaged, reuse screen.
3. Place the in-line filter screen into the threaded end of the lance. Direction does not matter. Push the screen in with the eraser end of a pencil until it rests flat at the bottom of the opening. Take care to not bend the screen.
4. Place the o-ring into the recess. Push the o-ring snugly against the in-line filter screen.
5. Assemble the lance to the spray gun, as described earlier in this manual.



Check Gun and Nozzle Extension

Examine the hose connection to the gun and make sure it is secure. Test the trigger by pressing it and making sure it springs back into place when you release it. Put the safety latch in the ON position and test the trigger. You should not be able to press the trigger.

Purge Pump of Air and Contaminants

To remove the air from the pump, follow these steps:

- Set up the pressure washer as described in the “Preparing the Pressure Washer for Use” and connect the water supply.
- Remove the nozzle extension from the gun.
- Pull the trigger on the gun and hold.

To remove the contaminants from the pump, follow these steps:

- Set up the pressure washer as described in the HOW TO USE YOUR PRESSURE WASHER section, and connect the water supply.
- Remove the nozzle extension from the gun.
- Start the engine according to instructions in OPERATION section.
- Squeeze the trigger on the gun and hold.
- When the water supply is steady and constant, engage the safety latch and refasten the nozzle extension.

Cleaning Chemical Injection Tube

If you have used the chemical injection tube you must flush it with clean water before stopping the engine.

- Place the chemical injection tube in a bucket full of clean water.
- Flush for 1–2 minutes.
- Shut off the engine.

IMPORTANT: Simply shutting OFF engine will not release pressure in the system. When the engine has shut down, **squeeze the trigger on the gun to relieve the pressure in the hose.**

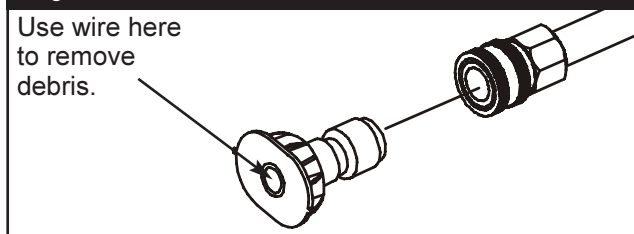
Nozzle Maintenance

If the nozzles becomes restricted or clogged with foreign materials, such as dirt, excessive pump pressure may develop. If the nozzles become partially clogged, it can cause a pulsing sensation during use. This generally is not a pump related problem, but rather a clogged or partially restricted nozzle.

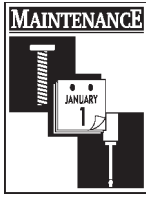
If the nozzles become clogged or partially restricted, immediately clean the nozzles with the kit included with your pressure washer by following these instructions:

- Shut off the engine and turn off the water supply.
- Remove the nozzle from the end of the nozzle extension.
- Use the wire included in the kit or a small paper clip to free the foreign materials clogging or restricting the nozzle (Figure 13).

Figure 13 — Nozzle Maintenance



- Remove additional debris by rinsing out the nozzle. Rinse between 30 to 60 seconds.
- Reinstall the nozzle into the nozzle extension.
- Reconnect the water supply, turn on the water, and start the engine.
- Test the pressure washer.



ENGINE MAINTENANCE

See the Engine Owner's Manual for instructions on how to properly maintain the engine.

Service and Adjustments

See the engine Owner's Manual for instructions on how to properly service and adjust the engine.

Preparing Unit for Storage

Water should not remain in the unit for long periods of time. Sediments of minerals can deposit on pump parts and "freeze" pump action. If you do not plan to use the pressure washer for more than 30 days, follow this procedure:

1. Flush chemical injection tube by placing the filter into a pail of clean water while running pressure washer with the black chemical nozzle. Flush for one to two minutes.
2. Shut off the engine and let it cool, then remove all hoses.

3. Place the throttle lever in STOP position.



WARNING! Be sure lever is in "STOP" position before you continue. If you start engine without proper water supply connected, you can damage pump.

4. Empty the pump of all pumped liquids by pulling the recoil handle about 6 times. This should remove most of the liquid in the pump.

NOTE: To protect the unit from freezing temperatures, draw RV antifreeze (no alcohol) into the pump by pouring the antifreeze into a 3-foot section of garden hose connected to inlet adapter and pulling recoil handle twice.

5. Store in a clean, dry area.

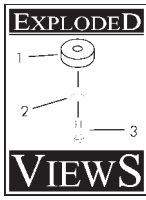
STORING THE ENGINE

See the Engine Owner's Manual for instructions on how to properly store the engine.

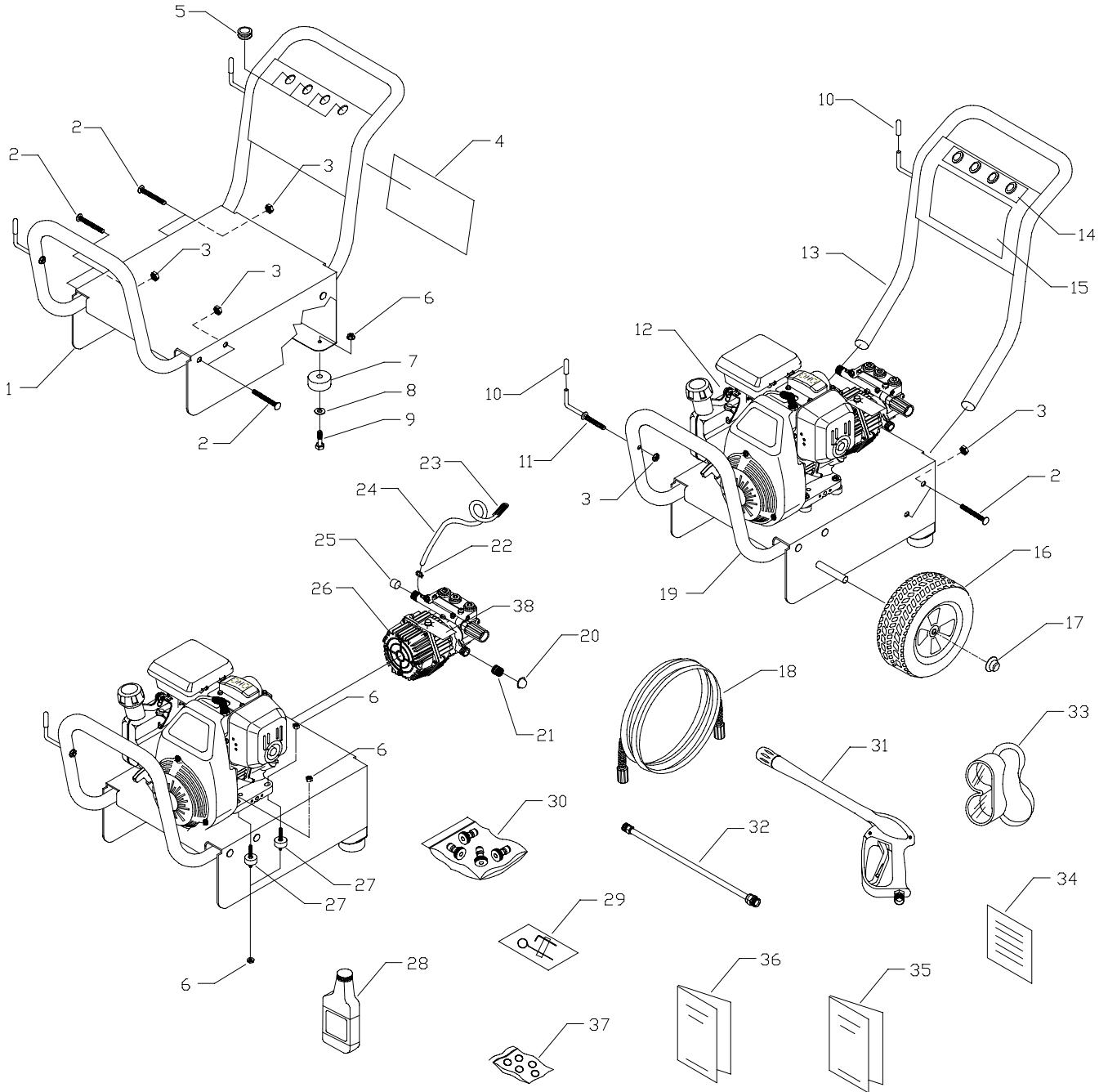


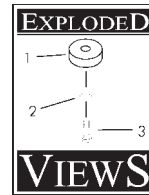
TROUBLESHOOTING

Problem	Cause	Correction
<p>Pump has following problems: failure to produce pressure, erratic pressure, chattering, loss of pressure, low water volume.</p>	<ol style="list-style-type: none"> 1. Nozzle in low pressure mode. 2. Water inlet is blocked. 3. Inadequate water supply. 4. Inlet hose is kinked or leaking. 5. Clogged inlet hose strainer. 6. Water supply is over 140°F. 7. Outlet hose is blocked or leaks. 8. Gun leaks. 9. Nozzle is obstructed. 10. Pump is faulty. 	<ol style="list-style-type: none"> 1. Pull nozzle backward for high pressure mode. 2. Clear inlet 3. Provide adequate water flow. 4. Straighten inlet hose, patch leak. 5. Check and clean inlet hose strainer. 6. Provide cooler water supply. 7. Clear blocks in outlet hose. 8. Replace gun. 9. Clean nozzle. 10. Contact Generac service facility.
<p>Detergent fails to mix with spray.</p>	<ol style="list-style-type: none"> 1. Chemical injection tube is not submerged. 2. Chemical filter is clogged. 3. High pressure nozzle attached. 	<ol style="list-style-type: none"> 1. Insert chemical injection tube into detergent. 2. Clean or replace filter/detergent siphoning tube. 3. Use low pressure, black chemical nozzle to apply detergent.
<p>Engine runs good at no-load but “bogs” when load is added. Engine will not start; or starts and runs rough.</p>	<p>Engine speed is too slow.</p> <ol style="list-style-type: none"> 1. Low oil level. 2. Dirty air cleaner. 3. Out of gasoline. 4. Stale gasoline. 5. Spark plug wire not connected to spark plug. 6. Bad spark plug. 7. Water in gasoline. 8. Overchoking. 9. Excessively rich fuel mixture. 10. Intake valve stuck open or closed. 11. Engine has lost compression. 	<p>Move throttle control to FAST position. If engine still “bogs down” contact Generac service facility.</p> <ol style="list-style-type: none"> 1. Fill crankcase to proper level. 2. Clean or replace air cleaner. 3. Fill fuel tank. 4. Drain gas tank; fill with fresh fuel. 5. Connect wire to spark plug. 6. Replace spark plug. 7. Drain gas tank; fill with fresh fuel. 8. Open choke fully and crank engine. 9. Contact Generac service facility. 10. Contact Generac service facility. 11. Contact Generac service facility.
<p>Engine shuts down during operation.</p>	<ol style="list-style-type: none"> 1. Out of gasoline. 2. Low oil level. 	<ol style="list-style-type: none"> 1. Fill fuel tank. 2. Fill crankcase to proper level.
<p>Engine lacks power.</p>	<p>Dirty air filter.</p>	<p>Replace air filter.</p>
<p>Engine “hunts” or falters.</p>	<p>Choke is opened too soon.</p>	<p>Move choke to halfway position until engine runs smoothly.</p>



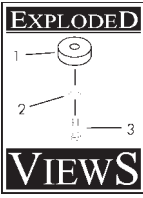
EXPLODED VIEW — UNIT



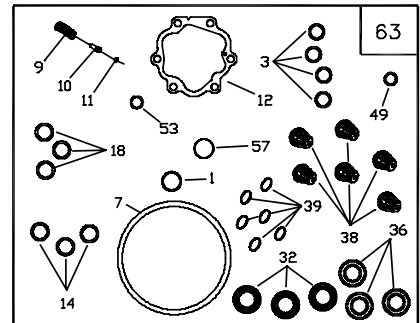
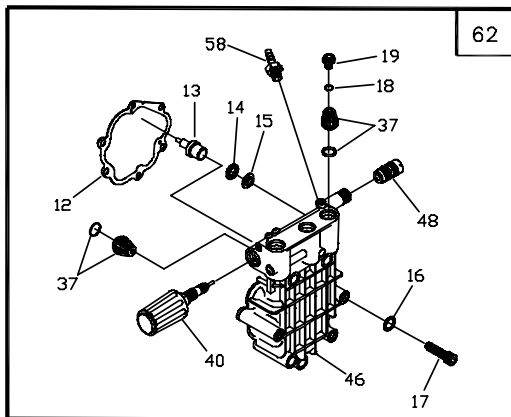
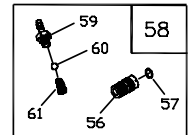
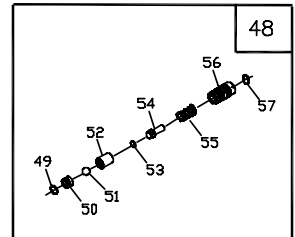
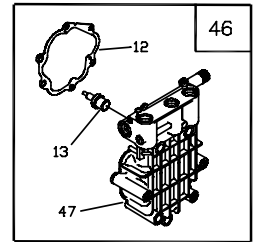
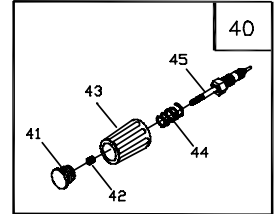
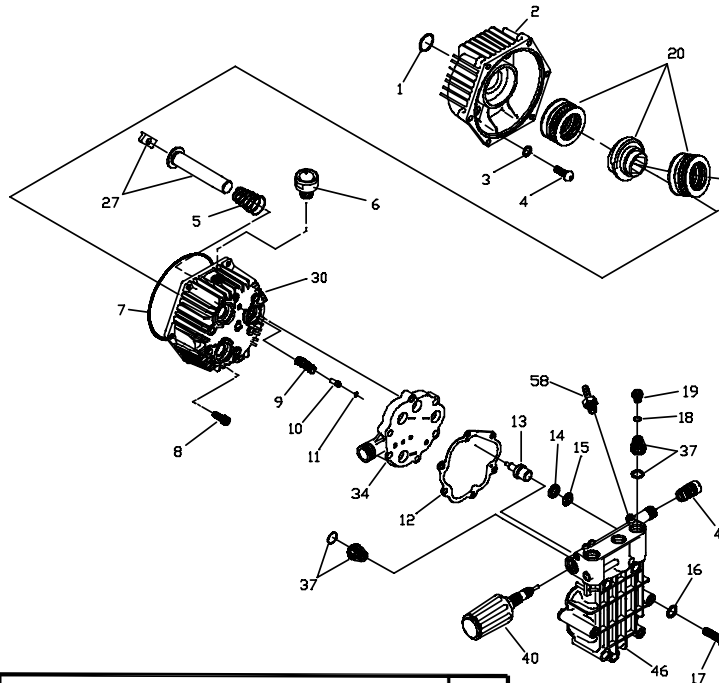
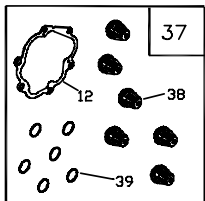
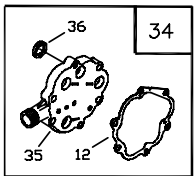
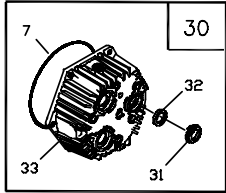
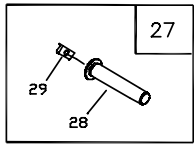
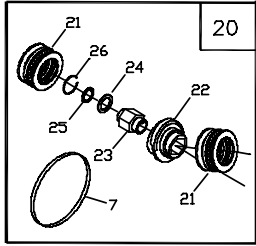


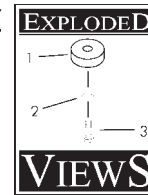
REPAIR PARTS — PRESSURE WASHER

Item	Part #	Qty	Description	Item	Part #	Qty	Description
1	BB1770A	1	BASE	19	CB3866	1	BUMPER
2	B2043	8	BOLT, 5/16" - 18 x 1-3/4" Carriage	20	A1408	1	CAP, Garden Hose Connector
3	99583	9	NUT, Hex Flange 5/16" - 18	21	21424	1	CONNECTOR, Garden Hose
4	B4164	1	DECAL, Instructions 1294-0	22	48031G	1	CLAMP, Hose 7/16" Dia.
5	30809	4	GROMMET, 1/8" - 11/16"	23	A1041	1	FILTER, Chemical Hose
6	67989	10	NUT, M8 Flange Serr.	24	A1040D	1	HOSE, 54" Chemical Inject
7	27007	2	VIB MOUNT, Donut Type	25	97100	1	CAP, High Pressure Adapter
8	50190	2	FLAT WASHER, 10GA - .34" x 1"	26	B3358	1	PUMP, Med 3/4" 6.0 Lift Horizontal
9	42909	2	HHCS, M8 - 1.25 x 30	27	21217	4	MOUNT, Rubber Shock
10	B2516	2	CAP, Black Vinyl .280"	28	BB3061B	1	OIL BOTTLE
11	B2150	1	HOOK, 5/16" Square Neck Gun	29	B2509	1	KIT, Nozzle Cleaning
12	NSP	1	ENGINE, 5HP	30	B4150	1	KIT, Nozzles QD
13	CB3861	1	HANDLE	31	B3263	1	GUN, 3200PSI M22-1.5
14	B4163	1	DECAL, 4 QD Nozzles	32	B3858	1	ASSY., Wand Ext. with QD
15	B4162	1	DECAL, Unit 1294	33	87815	1	GOGGLES, Safety
16	B1760	2	ASSEMBLY, 10" Wheel & Tire	34	88681	1	CARD, Owners Registration
17	75402	2	PUSHNUT, .50"	35	B3856	1	MANUAL, Owners
18	B3339	1	HOSE, 1/4" x 25'	36	B3294	1	MANUAL, Honda
				37	B4175	1	KIT, O-Ring Maintenance
				38	B1288	1	TAG, PW Breather Cap



EXPLODED VIEW — PUMP





REPAIR PARTS — PUMP

Item	Part #	Qty	Description	Item	Part #	Qty	Description
1	B2218	1	O-RING, 1.625 I.D. x .103	34	B3509	0	KIT, Spacer Plate
2	B2260	1	ADAPTER, Engine	35		1	SPACER, Inlet Plate
3	B2217	4	O-RING, 0.239 ID x 0.070	36		3	SEAL, High Pressure Dbl. Lip
4	B2261B	4	SCREW, Button Hd 5/16 - 24 x 3/4" Lg	37	B3513	0	KIT, Check Valve
5	96400	3	SPRING, Piston Return	38		6	ASSY., Check Valve
6	99735	1	ASSEMBLY, Oil Breather	39		6	O-RING, Check Valve 12.4 x 15.56 x 1.78
7	93790	1	O-RING, 114 x 119 x 2.6	40	B3479	0	KIT, Unloader Spindle
8	40945	6	SHCS, M6 x 1.0 x 20mm Lg	41		1	CAP, Plastic
9	93652	1	SPRING, Thermal By-Pass	42		1	SET SCREW, M6 x 8 Lg
10	95416	1	PISTON, Thermal By-Pass	43		1	HANDLE, Unloader
11	93876	1	O-RING, 2.9 x 6.5 x 1.78	44		1	SPRING, Unloader
12	A2069	1	GASKET, Head	45		1	ASSY., Spindle
13	93644	1	ACTUATOR, Thermal By-Pass	46	B3507	0	KIT, Head
14	96053	3	SEAL, High Pressure	47		1	ASSY., Pump Head (Med. Frame)
15	96015	3	RING, Bearing	48	B3510	0	KIT, High Pressure Outlet
16	B2665	6	WASHER, Steel Special	49		1	O-RING, Spindle 6 x 10 x 1.78
17	A2013	6	BOLT, Head M8 x 1.25 x 70mm Lg	50		1	SEAT, Ball Unloader
18	97840	3	O-RING, Cap 15.6 x 19.16 x 1.78	51		1	BALL, Stainless Steel 9/32 Dia.
19	97841	3	CAP, Outlet Port	52		1	SEAT, Trapped Line Pressure
20	B4263	0	KIT, Axial Cam 3/4" - 6.0 Lift	53		1	O-RING, 3.68 x 7.24 x 1.78
21		2	BEARING SET, Thrust 15.5	54		1	VALVE, Shuttle Piston
22		1	CAM, Axial 6.0 Lift	55		1	SPRING, Piston Trapped Pressure
23		1	ADAPTER, Engine	56		1	VENTURI, Chemical
24		1	WASHER, Thrust	57		1	O-RING, Venturi 10.82 x 14.38 x 1.78
25		1	RETAINER, Push - On	58	B3829	0	ASSY., Chemical Injector
26		1	C-RING, Cam Retainer	59		1	BARB HOSE, Brass with Nylon Insert
27	B3478	0	KIT, Piston/Shoe	60		1	BALL, 5.5 dia. Chemical Injector
28		3	ASSY., Ceramic Piston & Cap	61		1	SPRING, Chemical Injector
29		3	SHOE, Piston Pivot	62	B3480	0	KIT, Complete Head
30	B3508	0	KIT, Crankcase	63	B3514	0	KIT, O-Ring/Seals
31		3	SPACER, Pilot				
32		3	SEAL, Oil Piston				
33		1	CRANKCASE, Pump				

Item numbers 20, 27, 30, 34, 37, 40, 46, 48, 58, 62, and 63 are service kits and include all parts shown within the box. Items previously described are not listed under the service kit number.

LIMITED PRESSURE WASHER WARRANTY

(INCLUDES “MASTER CONTRACTOR”)

GENERAC PORTABLE PRODUCTS (hereafter referred to as the COMPANY) warrants to the original retail purchaser, the pressure washer manufactured by the COMPANY to be free from defects in material and workmanship for the period(s) set forth below from the date of original purchase. This warranty is not transferable. The term “original purchaser” means the person for whom the pressure washer is originally purchased.

Warranty Schedules

Electric Power Washer	1 year (does not apply to commercial or rental applications)	CONSUMER*	COMMERCIAL*
All Other Engine-driven	Engine:	Warranted solely by Engine Manufacturer	Warranted solely by Engine Manufacturer
	Pump:	1 year	90 days

*** NOTE: For the purpose of this warranty “consumer” use means personal residential household use by original purchaser. “Commercial” use means all other uses, including rental, construction, commercial and income producing purposes. Once a pressure washer has experienced commercial use, it shall thereafter be considered a commercial use pressure washer for the purposes of this warranty.**

During said warranty period, the COMPANY will, at its option, repair or replace any part which, upon examination by the COMPANY or COMPANY-Authorized Dealers, is found to be defective under normal use and service**. All transportation costs under warranty, including return to the factory if necessary, are to be borne by the purchaser and prepaid by the purchaser.

**** NORMAL WEAR: As with all mechanical devices, pressure washers need periodic parts service and replacement to perform well. This warranty does not cover repair when normal use has exhausted the life of a part or pressure washer pump.**

This warranty does not include: Used products and demonstration equipment. Parts, such as GUNS, HOSES, WANDS, NOZZLES or other wear items such as quick couplers, oil, gauges, belts, o-rings, filters, pump packing, etc. Pumps which have been run without water supplied. Damage or malfunctions resulting from: accidents, abuse, modifications, alterations, or improper servicing. Freezing or chemical deterioration. Normal maintenance such as adjustments, fuel system cleaning and obstruction (due to chemical, dirt, carbon or lime, etc.).

THIS WARRANTY IS IN PLACE OF ALL OTHER WARRANTIES, EXPRESS OR IMPLIED, SPECIFICALLY, THE COMPANY MAKES NO OTHER WARRANTIES AS TO MERCHANTABILITY OR FITNESS FOR A PARTICULAR PURPOSE. THE DURATION OF ANY IMPLIED WARRANTIES WHICH CANNOT BE DISCLAIMED IS LIMITED TO THE TIME PERIOD AS SPECIFIED IN THE EXPRESS WARRANTY. LIABILITY FOR CONSEQUENTIAL, INCIDENTAL, OR SPECIAL DAMAGES UNDER ANY AND ALL WARRANTIES IS EXCLUDED, EVEN IF SUCH DAMAGES ARE A DIRECT RESULT OF THE COMPANY’S NEGLIGENCE. THE COMPANY ALSO DISCLAIMS ANY RESPONSIBILITY FOR INCIDENTAL OR CONSEQUENTIAL DAMAGES SUCH AS THE LOSS OF TIME OR THE USE OF THE POWER EQUIPMENT, OR ANY COMMERCIAL LOSS DUE TO THE FAILURE OF THE EQUIPMENT: AND ANY IMPLIED WARRANTIES ARE LIMITED TO THE DURATION OF THIS WRITTEN WARRANTY.

Some states do not allow limitations on how long an implied warranty lasts, or the exclusion or limitation of incidental or consequential damages, so the above limitations or exclusions may not apply to you. This warranty gives you specific legal rights and you may also have other rights, which vary from state to state.

For service, see your nearest COMPANY-Authorized warranty service facility or call 1-877-544-0982. Warranty service can be performed only by a COMPANY-Authorized service facility. This warranty will not apply to service at any other facility. At the time of requesting warranty service, evidence of original purchase date must be presented.

Generac Portable Products

Jefferson, Wisconsin U.S. A.