

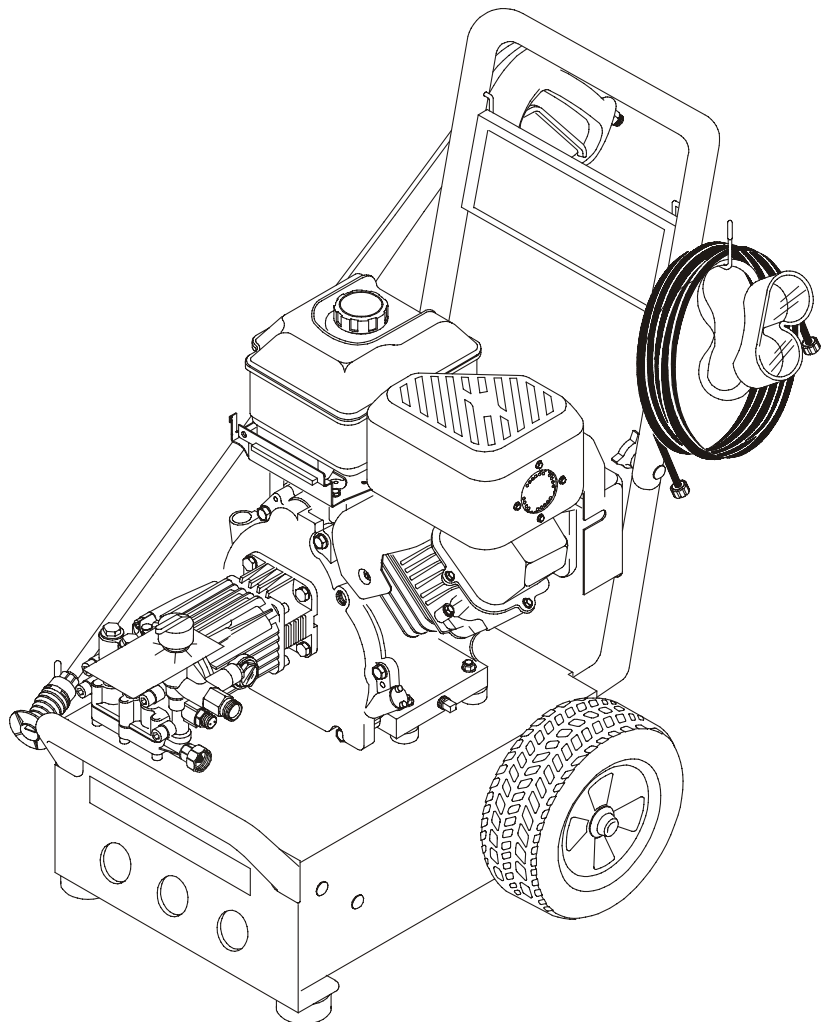
GENERAC

The Reliable Ones

2300PSI

Pressure Washer Owner's Manual

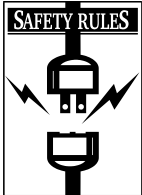
**Problems?
Questions?**
Before taking your unit
back to the store,
call the pressure washer
helpline at
1-800-270-1408
M-F 8-5 CST



Model No. 1292-0 (2300 PSI High Pressure Washer) Manual No. B3756 Revision 3 (5/28/99)



This symbol points out important safety instructions, which, if not followed, could endanger the personal safety and/or property of yourself and others. Read and follow all instructions in the manual before attempting to operate this unit.



CAUTION! Disconnect spark plug wire and place wire where it cannot contact spark plug to prevent accidental starting when setting up, transporting, adjusting or making repairs to your high pressure washer.

- Engine exhaust gases contain DEADLY carbon monoxide gas. This dangerous gas, if breathed in sufficient concentrations, can cause unconsciousness or even death. Operate this equipment only in the open air where adequate ventilation is available.



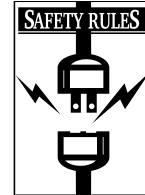
WARNING:



The engine exhaust from this product contains chemicals known to the State of California to cause cancer, birth defects, or other reproductive harm.

- Gasoline is highly FLAMMABLE and its vapors are EXPLOSIVE. Do not permit smoking, open flames, sparks or heat in the vicinity while handling gasoline. Avoid spilling gasoline on a hot engine. Allow unit to cool for 2 minutes before refueling. Comply with all laws regulating storage and handling of gasoline.
- Locate this pressure washer in areas away from combustible materials, combustible fumes or dust.
- The high pressure equipment is designed to be used with Generac authorized parts only. If you use this equipment with parts that do not comply with minimum specifications, the user assumes all risks and liabilities.
- Some chemicals or detergents may be harmful if inhaled or ingested, causing severe nausea, fainting or poisoning. The harmful elements may cause property damage or severe injury.

- Do not allow CHILDREN to operate the pressure washer at any time.
- Operate engine only at governed speed. Running the engine at excessive speeds increases the hazard of personal injury. Do not tamper with parts which may increase or decrease the governed speed.
- Do not wear loose clothing, jewelry or anything that may be caught in the starter or other rotating parts.
- Before starting the pressure washer in cold weather, check all parts of the equipment and be sure ice has not formed there.
- Units with broken or missing parts, or without protective housing or covers should NEVER be operated.
- The muffler and air cleaner must be installed and in good condition before operating the pressure washer. These components act as spark arrestors if the engine backfires.
- Check the fuel system for leaks or signs of deterioration such as chafed or spongy hose, loose or missing clamps or damaged tank or cap. Correct all defects before operating the pressure washer.
- Do not spray flammable liquids.
- Never aim the gun at people, animals or plants.
- High pressure spray can cause paint chips or other particles to become airborne and fly at high speeds. Always wear eye protection when operating the pressure washer



- Never allow any part of the body to come in contact with the fluid stream. DO NOT come in contact with a fluid stream created by a leak in the high pressure hose.
- The high pressure hose can develop leaks from wear, kinking, abuse, etc. Water spraying from a leak is capable of injecting material into skin. Inspect the hose each time before use. Check all hoses for cuts, leaks, abrasions or bulging of cover, or damage or movement of couplings. If any of these conditions exist, replace hose immediately. Never repair the high pressure hose. Replace it with another hose that meets minimum pressure rating of your pressure washer.
- The high pressure stream of water that this equipment produces can pierce skin and its underlying tissues, leading to serious injury.
- Always wear eye protection when you use this equipment or when you are in the vicinity where the equipment is in use.
- Never move the machine by pulling on the high pressure hose. Use the handle provided on the top of the unit.
- Always be certain the spray gun, nozzles and accessories are correctly attached.
- Never use a spray gun which does not have a trigger lock or trigger guard in place and in working order.
- Use a respirator or mask whenever there is a chance that vapors may be inhaled. Read all instructions with mask so you are certain the mask will provide the necessary protection against inhaling harmful vapors.
- High pressure spray may damage fragile items including glass. Do not point spray gun at glass when in high pressure mode.
- Keep the hose connected to machine and spray gun while the system is pressurized. Disconnecting the hose while the unit is pressurized is dangerous.
- Hold the spray gun firmly in your hands before you start the unit. Failure to do so could result in an injury from a whipping spray gun. Do not leave the spray gun unattended while the machine is running.
- The cleaning area should have adequate slopes and drainage to reduce the possibility of a fall due to slippery surfaces.
- Keep water spray away from electric wiring. Fatal electric shock may result.
- Do not secure trigger gun in the pull-back (open) position.
- Do not by-pass any safety device on this machine.
- The muffler and engine heat up during operation and remain hot immediately after shutting it down. Avoid contact with a hot muffler or engine.
- Operate and store this unit on a stable, level surface.



CONGRATULATIONS on your purchase of a GENERAC high pressure washer. It has been designed, engineered and manufactured to give you the best possible dependability and performance.

Should you experience any problem you cannot easily remedy, please contact your nearest GENERAC Authorized Service facility, or call the 1-800 number listed on the front of this manual. We have competent, well-trained technicians and the proper tools to service or repair this unit.

Please read and retain this manual. The instructions will enable you to assemble and maintain your high pressure washer properly.

CUSTOMER RESPONSIBILITIES

- Read and observe the safety rules.
- Follow regular schedule in maintaining, caring for and using your high pressure washer.
- Follow the instructions under "Customer Responsibilities" and "Storage" sections of this Owner's Manual.

Model Number	1292-0
Serial Number	_____
Date of Purchase	_____

The model and serial numbers will be found on a decal attached to the pressure washer. Record both serial number and date of purchase and keep in a safe place for future reference.

PRODUCT SPECIFICATIONS

■ Pressure Washer Specifications

- Outlet Pressure** 2300 psi
- Flow Rate** 2.9 gallons per minute (gpm)
- Detergent Mix** Use undiluted detergent approved for pressure washers
- Water Supply Temperature** Not to Exceed 140°F
- Automatic Cool Down System** Will cycle when water reaches 140°-145°F

■ Engine Specifications

- Engine Model** Briggs & Stratton Intek 121412-0148-E1
- Rated Horsepower** . . 6
- Displacement** 190cc
- Spark Plug**
 - Type** RC-12YC
 - Set Gap To:** . . 0.030 inch (0.76mm)
- Gasoline Capacity** . . 3 U.S. quarts
- Oil** SAE 30

In the State of California a spark arrestor is required by law (Section 4442 of the California Public Resources Code). Other states may have similar laws. Federal laws apply on federal lands.

NOTE: If you equip the engine of your pressure washer with a spark arrestor muffler, the spark arrestor must be maintained in effective working order by the owner/operator.

You can order a spark arrestor through your authorized Briggs & Stratton service facility. See Engine Owner's Manual for details.

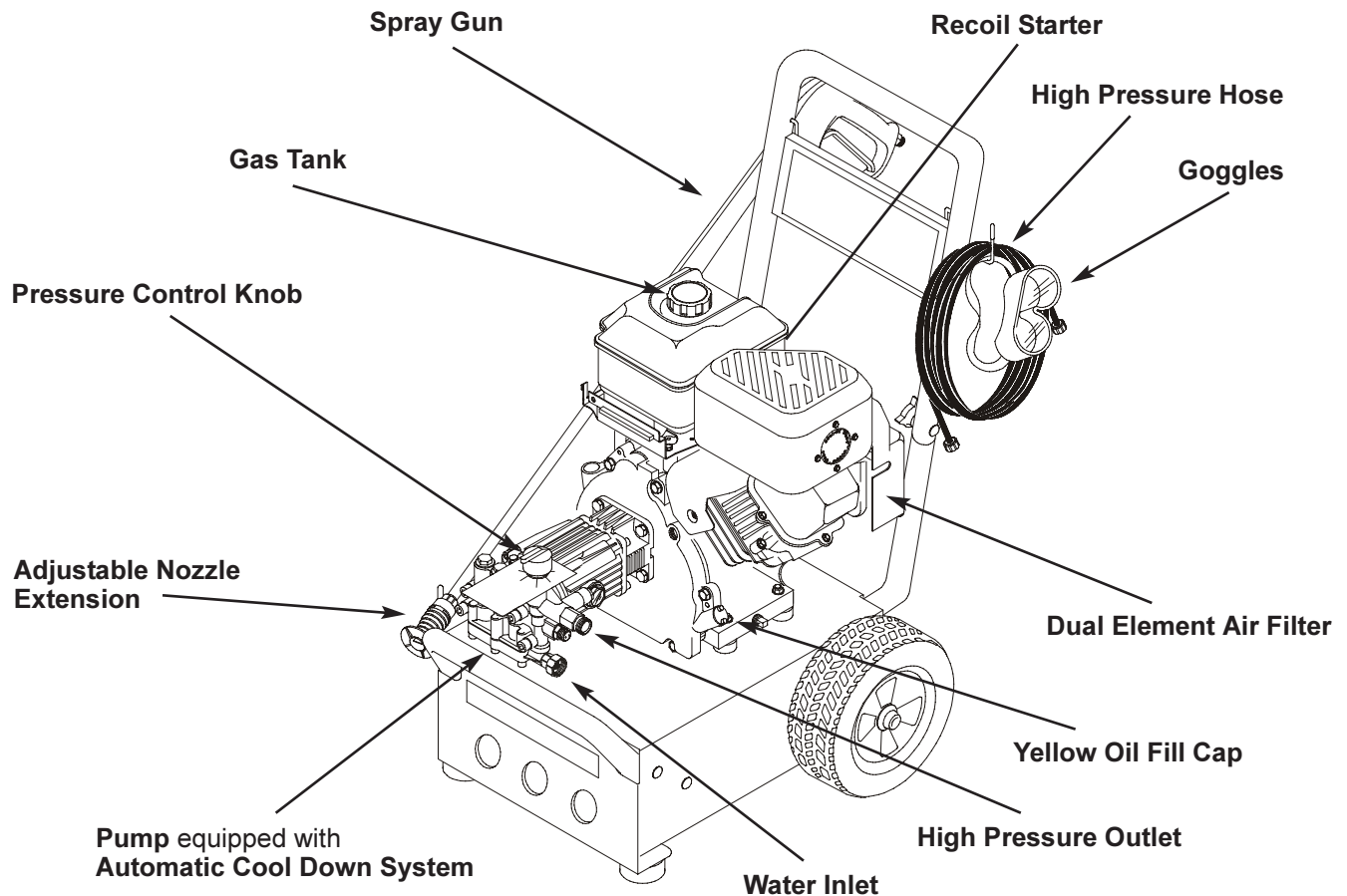


GENERAC
The Reliable Ones

KNOW YOUR PRESSURE WASHER

Read this owner's manual and safety rules before operating your high pressure washer.

Compare the illustrations with your high pressure washer to familiarize yourself with the locations of various controls and adjustments. Save this manual for future reference.



Adjustable Nozzle Extension — Attach the adjustable nozzle extension to the spray gun to provide high pressure stream. The adjustable nozzle allows you to adjust the spray pattern which, in turn, adjusts the force of spray.

Automatic Cool Down System — Cycles water through pump when water reaches 140°-145°F. **Warm water will discharge from pump onto ground. This system prevents internal pump damage.**

Dual Element Air Filter — Filter limits the amount of dirt and dust that gets in the engine.

Gas Tank — Fill tank with regular unleaded gasoline. Always leave room for fuel expansion.

Goggles — Always use the enclosed goggles or other eye protection when running your pressure washer.

High Pressure Hose — Connect one end to the water pump and the other end to the spray gun.

High Pressure Outlet — Connection for high pressure hose.

Yellow Oil Fill Cap — Fill engine with oil here. See page 7 for oil recommendations.

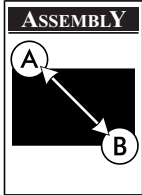
Pressure Control Knob — Varies the pressure of the high pressure spray.

Pump — Develops high pressure.

Recoil Starter — Use for starting the engine manually.

Spray Gun — Controls the application of water onto cleaning surface with trigger device. Includes safety latch.

Water Inlet — Connect garden hose here.



Read entire owner's manual before you attempt to assemble or operate your new pressure washer. Your new pressure washer has been assembled at the factory with the exception of those parts left unassembled for shipping purposes.

REMOVE PRESSURE WASHER FROM CARTON

- Remove parts box included with pressure washer.
- Slice two corners at guide handle end of carton from top to bottom so the panel can be folded down flat, then remove all packing material.
- Roll pressure washer out of carton.

CARTON CONTENTS

Items in the carton include:

- Main Unit
- Manual Bag Contents
 - Manual
 - O-Ring Kit
 - Nozzle Cleaning Kit
 - Sta-Bil® Brochure
 - Owner Registration Card
 - B&S "Intek" Engine Manual
- Parts Box (which includes the following):
 - STA-BIL®
 - Engine Oil
 - Video
 - Wireform
 - Goggles
 - Spray Gun
 - Nozzle Extension
 - High Pressure Hose
 - Handle
 - Parts Bag (which includes the following):
 - 2 carriage bolts
 - 2 knobs

If any of the above parts are missing or damaged, call the Pressure Washer Helpline at **1-800-270-1408**.

PREPARING THE PRESSURE WASHER FOR USE

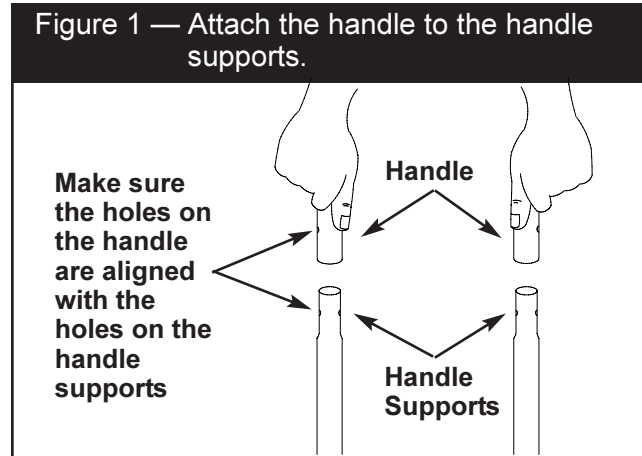
If you have any problems with the assembly of your pressure washer or if parts are missing or damaged, call the Pressure Washer Helpline at **1-800-270-1408**.

To prepare your pressure washer for operation you will need to perform these tasks:

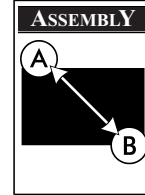
- Attach the handle and attach the wire form that holds the high pressure hose and spray gun.
- Connect the high pressure hose to the spray gun and the pump and connect water supply to the pump.
- Add oil to engine crankcase.
- Add fuel to fuel tank.

■ Attach the Handle

- Place the handle onto the handle supports already connected to the main unit. Make sure the holes in the handle align with the holes on the handle supports. (Figure 1)

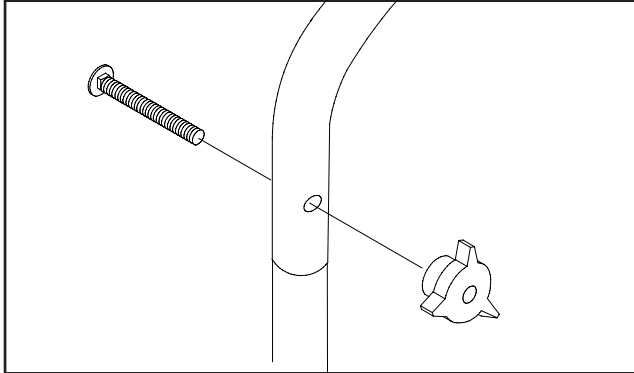


Note: It may be necessary to move the handle supports from side to side in order to align the handle so it will slide over the handle supports.

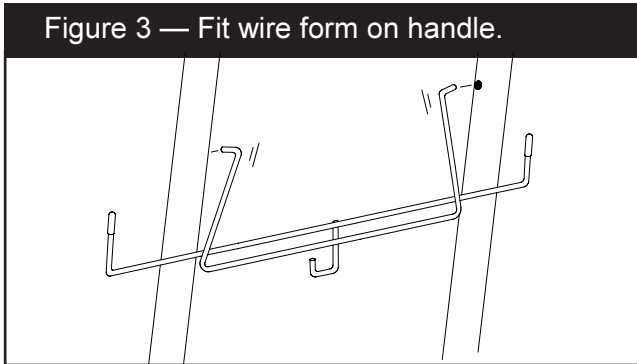


- Insert the carriage bolts through the holes on the handle and attach the plastic knobs. Tighten the knobs by hand (Figure 2).

Figure 2 — Insert the carriage bolts and attach the plastic knobs.



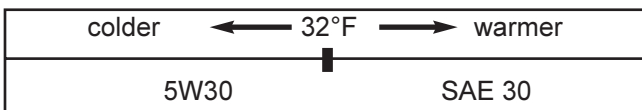
- Insert the wire support with the longer arm positioned on the left. From this view (from rear of unit) the hook should resemble a "J". (Figure 3)



■ Add Engine Oil

IMPORTANT: Any attempt to start the engine before it has been properly serviced with the recommended oil may result in an engine failure.

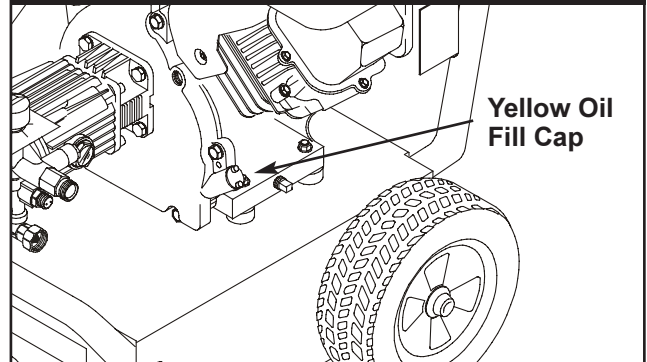
Note: When adding oil to the engine crankcase, use only high quality detergent oil rated with API service classification SF,SG, SH or rated SAE 30 weight. Select the oil's viscosity grade according to your expected operating temperature. Do Not Use SAE 10W40 Oil.



Although multi-viscosity oils (5W30, 10W30, etc.) improve starting in cold weather, these multi-viscosity oils will result in increased oil consumption when used above 32°F. Check your engine oil level more frequently to avoid possible damage from running low on oil.

- Place pressure washer on a level surface.
- Clean area around yellow oil fill and remove oil fill cap (Figure 4). **Do not use grey cap to add or check oil.**

Figure 4 — Add oil to engine crankcase. Do not attempt to start engine without adding oil.



- Pour oil into oil fill opening until the oil reaches the point of overflowing. Stop occasionally to check oil level. **Do not overfill.**
- Install oil fill cap, hand tighten securely.

Note: Check oil often during engine break-in.

■ Add Gasoline

DANGER! Never fill fuel tank indoors. Never fill fuel tank when engine is running or hot. Do not smoke when filling fuel tank.

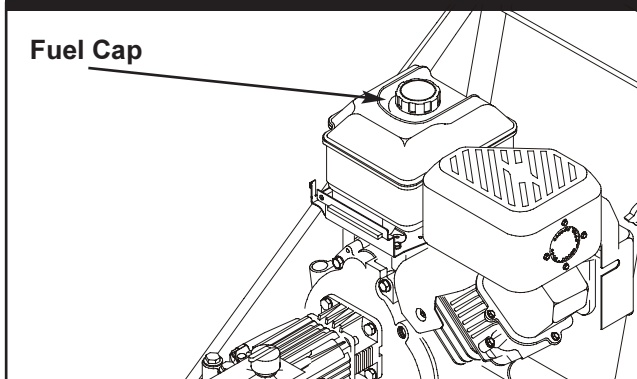
WARNING! Never fill fuel tank completely full. Fill tank to about 1/2" below the bottom of the filler neck to provide space for fuel expansion. Wipe away any fuel spillage from engine and equipment before starting.

DANGER! Allow engine to cool 2 minutes before refueling.

The manufacturer recommends fresh, clean unleaded automotive gasoline with a minimum of 87 octane.

- Use clean fuel and store in approved, clean, covered containers. Use clean fill funnels. Never use “stale” gasoline left over from last season or gasoline stored for long periods (over 30 days).
- Clean area around fuel fill cap, remove cap. (Figure 5).

Figure 5 — Add gasoline to fuel tank.



- Add “UNLEADED” regular gasoline, slowly, to fuel tank. Use a funnel to prevent spillage.
- Install fuel cap and wipe up any spilled gasoline.

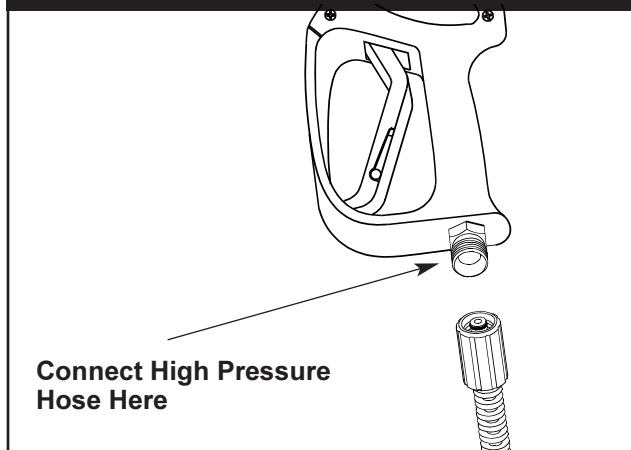
Note: Some fuels, called oxygenated or reformulated gasolines, are gasoline blended with alcohols or ethers. Excessive amounts of these blends can damage the fuel system or cause performance problems. If any undesirable operating systems occur, use gasoline with a lower percentage of alcohol or ether.

■ Connect Hose and Water Supply to Pump

IMPORTANT: You must assemble the nozzle extension and attach all hoses before you start engine. Starting engine without all hoses connected and water supplied will damage pump.

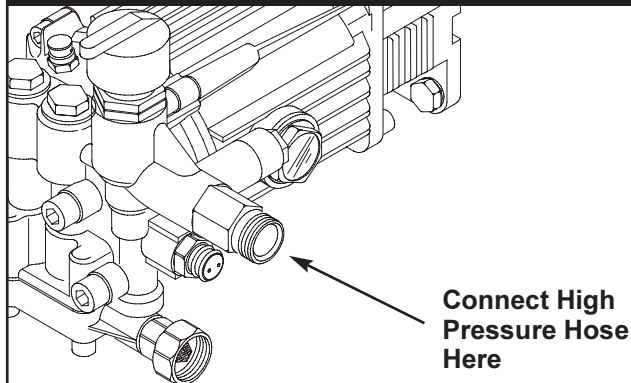
- Uncoil high pressure hose and attach one end of hose to the base of the spray gun (Figure 6). Tighten by hand.

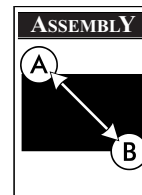
Figure 6 — Connect high pressure hose to spray gun.



- Attach other end of high pressure hose to the high pressure outlet on the pump (Figure 7). Tighten by hand.

Figure 7 — Connect high pressure hose to pump.

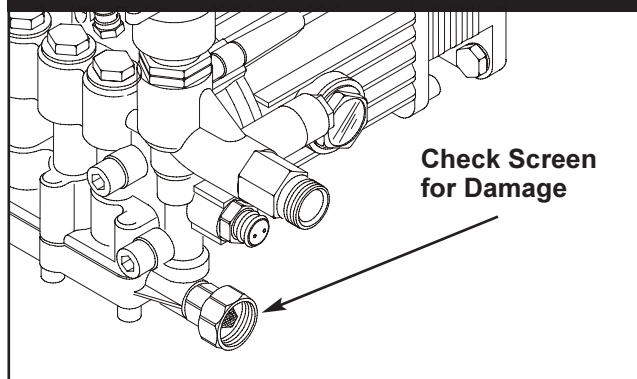




! WARNING! You must provide a water supply with a minimum flow of 3.2 gallons per minute or damage to the pump will occur.

- Before you connect your garden hose to the water inlet, inspect the Inlet Screen (see Figure 8). Clean the screen if it contains debris or have it replaced if damaged. **Do not run the pressure washer if the inlet screen is damaged.**
- Connect garden hose to water inlet. Tighten by hand (Figure 8).

Figure 8 — Connect the garden hose to water inlet and turn ON the water.

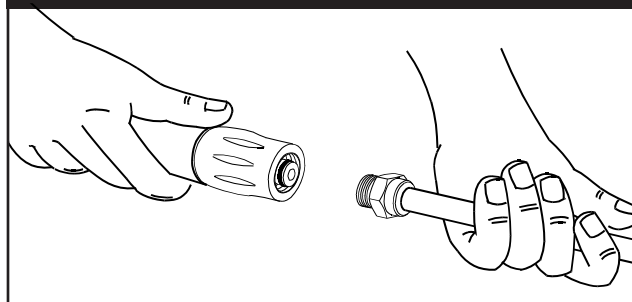


- Turn ON the water (open valve completely).
- Squeeze trigger on gun to purge pump system of air and impurities.

! CAUTION! Before starting the pressure washer, be sure you are wearing adequate eye protection.

- Attach nozzle extension to spray gun. Tighten by hand (Figure 9).

Figure 9 — Connect nozzle extension to spray gun.



CHECKLIST BEFORE STARTING ENGINE

If you have reached this point, look back over the assembly to see if you have performed all of the following.

- Check for properly tightened hose connections (high pressure and water supply) and for tight connections and that there are no kinks, cuts, or damage to the high pressure hose.
- Check that oil has been added to proper level in engine crankcase before trying to start the pressure washer.
- Add proper gasoline to fuel tank.
- Provide proper water supply (not to exceed 140°F).
- Be sure to read “Safety Rules” and “Operation” sections before using the pressure washer.



HOW TO USE YOUR PRESSURE WASHER

If you have any problems operating your pressure washer, please call the pressure washer helpline at 1-800-270-1408.

■ How to Start Your Engine

The best way to start your engine-powered pressure washer for the first time is to follow these instructions step-by-step.

- This pressure washer requires a water source that flows at least 3.2 gallons per minute. **Do not attempt to siphon water from a non-pressurized container.** Place the pressure washer close enough to an outside water source so that no more than 50' of garden hose is needed.
- Check that the high pressure hose is tightly connected to the spray gun and to the pump. See ASSEMBLY section for illustrations.
- Connect the garden hose to water inlet on the pressure washer pump and **turn the water on all the way.**

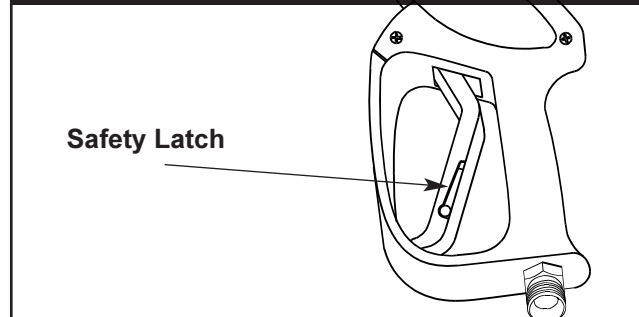
IMPORTANT: Do not run pump without the water supply connected and turned on. You must follow this caution or the pump will be damaged.

- Set choke lever to “**Choke**” position. **Note:** This is a multi-position choke.
- Move the throttle control lever to the ‘**Fast**’ position.

Note: For a warm engine, be sure the throttle control is in the ‘**Fast**’ position and the choke lever is in the “**Run**” position.

- Turn the fuel shut-off valve to the “**On**” position.
- Squeeze the trigger on the spray gun to relieve air pressure caused by turning ON the water. Water will spew out the gun in a thin stream. Continue to hold trigger until you have a steady stream of water and no air remains. This will make it easier to pull start the engine. Release the trigger.
- Apply the safety latch to the spray gun trigger (Figure 10).

Figure 10 — Safety Latch.



- Grasp rope handle and pull slowly until you feel some resistance. Then pull cord rapidly to overcome compression, prevent kickback and start the engine. Let rope return to starter slowly.

Note: Always keep the throttle control in the ‘**Fast**’ position when operating the pressure washer.

- When the engine starts, gradually move the choke control from one position to the next until it is in the “**Run**” position.

If after 3 pulls the engine fails to start, disengage the spray gun safety latch, squeeze the trigger to relieve water pressure, re-engage the spray gun safety latch, move the choke control to the “**Run**” position and pull the recoil starter handle rapidly (Max. 3 pulls).

■ How to Stop Your Pressure Washer

Important: Do Not move the choke control to “**Choke**” position to stop the engine. Backfire or engine damage may occur.

- Move the throttle control to the “**Idle**” or “**Slow**” position.
- Wait for the engine to idle down.
- Move the throttle control to the ‘**Off**’ position.
- Close the fuel shut-off valve.
- **Squeeze trigger on the spray gun to relieve pressure in the hose.** Simply shutting off the engine will not release pressure in the system.

Note: A small amount of water will squirt out when you release the pressure.



You now should know how to **START** your pressure washer and how to **STOP** it. The information in this section will tell you how to adjust the spray pattern, adjust pressure, apply detergent, and rinse.

■ How to Use the Adjustable Nozzle and Adjust Pressure

! DANGER! Never adjust spray pattern when spraying. Never put hands in front of nozzle to adjust spray pattern.

- Slide the nozzle forward for low pressure. Slide the nozzle backward for high pressure (Figure 11).
- Twisting the nozzle from side to side adjusts the spray pattern from a narrow jet spray to a fan pattern.
- Point the nozzle toward the ground and press the trigger to test the pattern.

- Located on the top of the pump is a pressure control knob. You can increase and decrease the pressure of the spray by turning the knob counterclockwise or clockwise respectively (Figure 12).

Figure 12 — Pressure control knob.

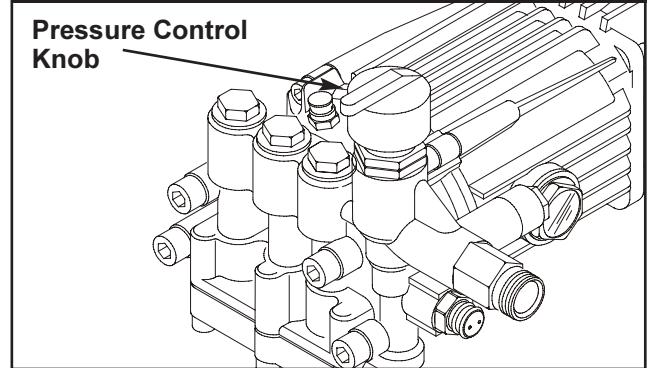
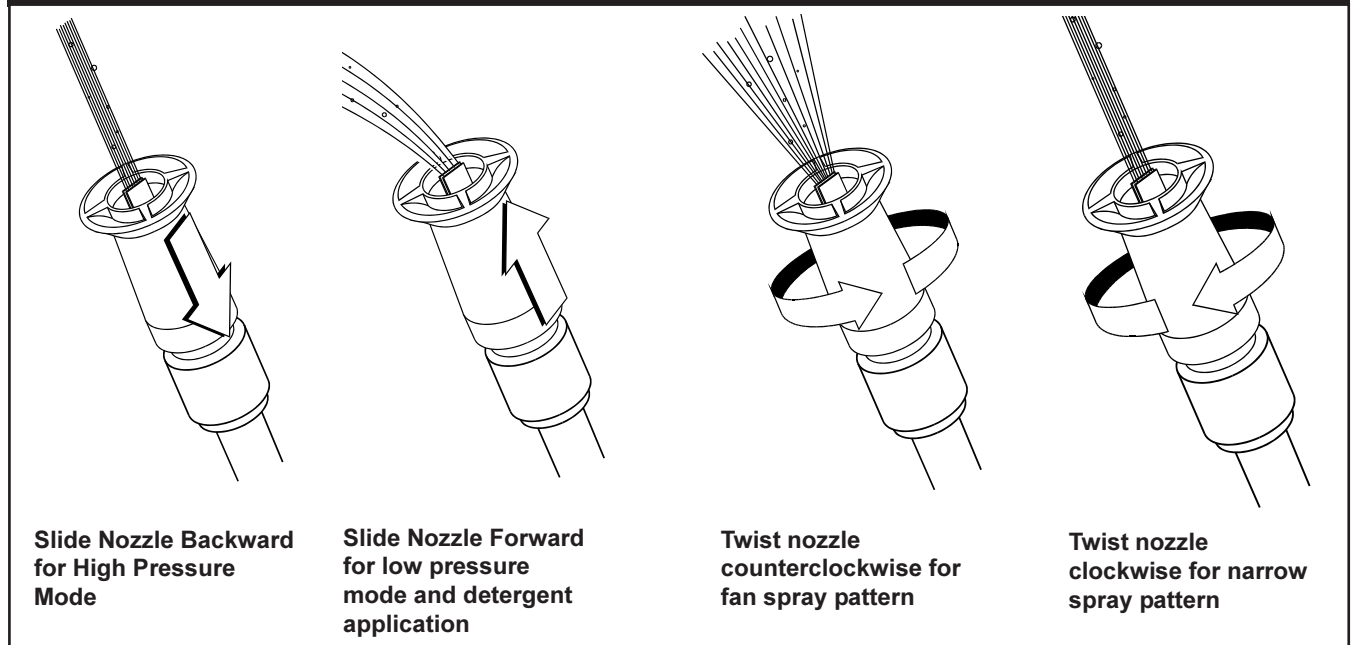


Figure 11 — Using the adjustable nozzle.



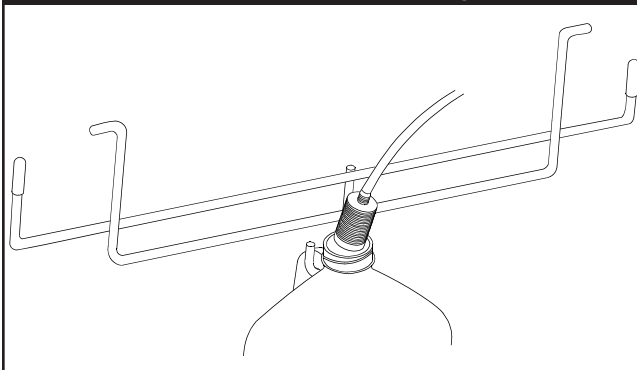
■ Applying Detergent with the Adjustable Nozzle

IMPORTANT: Use soaps designed specifically for pressure washers. Household detergents could damage the pump.

To apply detergent follow these steps:

- Review the use of adjustable nozzles on Page 11.
- Prepare the detergent as required on the bottle.
- Hang the detergent solution on hook of the wireform on the handle as shown (Figure 13).
- Place small filter end of the chemical injection tube into the detergent container (Figure 13).

Figure 13 — Insert the small filter into container of cleaning solution.



- Slide the adjustable nozzle forward to low pressure mode. Detergent cannot be applied with nozzle in high pressure position.

IMPORTANT: Detergent cannot be applied without the water source turned on.

- Make sure garden hose is connected to water inlet. Check that high pressure hose is connected to spray gun and pump (see ASSEMBLY), and start engine.
- Apply detergent to a dry surface, starting from the bottom and working up to avoid streaking.
- Allow the detergent to soak in for 3-5 minutes before washing and rinsing. Reapply to prevent drying
- For washing, start at lower portion of area to be washed and work upward, using long, even, overlapping strokes.



CAUTION! Keep the plastic chemical injection tube from coming in contact with the hot muffler. This will damage the plastic tube. When inserting the filter into a cleaning agent bottle, route the tube so as to keep it from inadvertently contacting the hot muffler.

■ Pressure Washer Rinsing



WARNING! Be extremely careful if you must use the pressure washer from a ladder, scaffolding or any other relatively unstable location. Pressure in a running washer builds as you climb. When you press the trigger, the recoil from the initial spray could force you to fall. The high pressure spray could also force you to fall if you are too close to the cleaning surface.

For Rinsing:

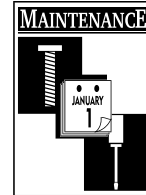
- Slide nozzle backward to high pressure and wait for detergent to clear.

Note: You can also stop detergent from flowing by simply removing the chemical injection tube from the bottle.

- Keep the spray gun a safe distance from the area you plan to spray.
- Apply a high pressure spray to a small area and then check the surface for damage. If no damage is found, you can assume it is okay to continue cleaning.
- Start at top of area to be rinsed, working down with the same overlapping strokes you used for cleaning.
- For most effective cleaning, keep spray nozzle between 8 to 24 inches away from cleaning surface.
- If you get spray nozzle too close, especially using high pressure mode, you may damage the cleaning surface.
- Do not get closer than 6 inches when cleaning automobile tires.

■ Automatic Cool Down System (Thermal Relief)

If you run the engine on your pressure washer for 3-5 minutes without pressing the trigger on the spray gun, circulating water in the pump can reach a temperature between 140–145°F. When the water reaches this temperature, the automatic cool down system engages and cools the pump by **discharging the warm water onto the base of the unit.** This system prevents internal damage to the pump.



GENERAL MAINTENANCE RECOMMENDATIONS

The warranty of the high pressure washer does not cover items that have been subjected to operator abuse or negligence. To receive full value from the warranty, operator must maintain the high pressure washer as instructed in this manual.

- Some adjustments will need to be made periodically to properly maintain your high pressure washer.
- All adjustments in the Service and Adjustments section of the engine owner's manual should be made at least once each season.

■ BEFORE EACH USE

- Check engine oil level.
- Check water inlet screen for damage.
- Check high pressure hose for leaks.
- Check chemical injection tube and filter for damage.
- Check gun and wand assembly for leaks.

PRESSURE WASHER MAINTENANCE

■ Check and Clean Inlet Screen

Examine screen on the water inlet. Clean if the screen is clogged or replace if screen is damaged.

■ Check High Pressure Hose

The high pressure hose can develop leaks from wear, kinking, or abuse. Inspect the hose each time before using it. Check for cuts, leaks, abrasions or bulging of cover, damage or movement of couplings. If any of these conditions exist, replace hose immediately.



DANGER! Water spraying from a leak is capable of injecting material into skin. Inspect hose each time before using it. Never repair a high pressure hose. Replace it with another hose that meets the maximum pressure rating of your pressure washer.

■ Check and Clean Chemical Injection Tube

Examine the filter on the chemical injection tube and clean if clogged. The tube should fit tightly on barbed fitting. Examine tube for leaks or tears. Replace the filter or tube if either is damaged.

If you have used the chemical injection tube you must flush it with clean water before stopping the engine.

- Place the small filter end of the chemical injection tube in a bucket of clean water.
- Slide the adjustable nozzle forward.
- Squeeze the spray gun trigger for two minutes to flush the chemical injection tube.
- Shut off the engine.

Important: Simply shutting OFF engine will not release pressure in the system. When engine has shut down, **squeeze the trigger on the gun to relieve the pressure in the hose.**

■ Check Gun and Wand

Examine hose connection to gun and make sure it is secure. Test trigger by pressing it and making sure it springs back into place when you release it. Put safety latch in "On" position and test trigger. You should not be able to press trigger.

■ Purge Pump of Air and Contaminants

To remove the air from the pump, follow these steps:

- Set up the pressure washer as described in the ASSEMBLY section and connect the water supply.
- Remove the wand extension from the gun.
- Squeeze the trigger on the gun and hold.

To remove any contaminants from the pump, follow these steps:

- Set up the pressure washer as described in the ASSEMBLY section, and connect the water supply.
- Remove the nozzle extension from the spray gun.
- Start the engine according to instructions in OPERATION section.
- Squeeze the trigger on the spray gun and hold.
- When the water supply is steady and constant, engage the safety latch and refasten the nozzle extension.

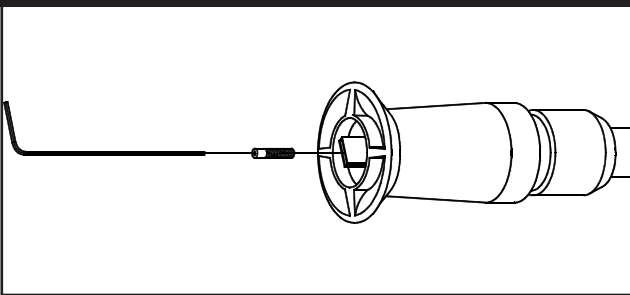
■ Nozzle Maintenance

If the adjustable nozzle becomes restricted or clogged with foreign materials, such as dirt, excessive pump pressure may develop. If this nozzle becomes partially clogged, it can cause a pulsing sensation during use. This generally is not a pump related problem, but rather a clogged or partially restricted adjustable nozzle.

If the adjustable nozzle becomes clogged or partially restricted, immediately clean the nozzle with the kit included with your pressure washer by following these instructions:

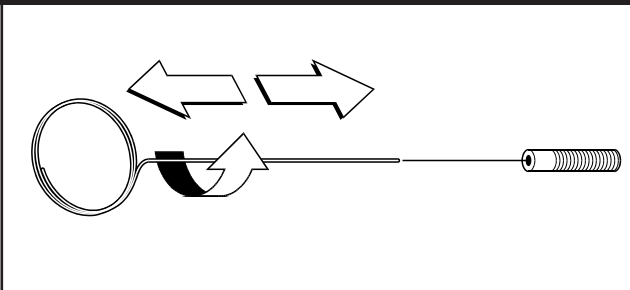
- Shut off the engine and turn off the water supply.
- Separate the nozzle extension from the gun.
- Adjust the nozzle extension to the stream position.
- Remove nozzle from the end of the wand extension (Figure 14) using a 2mm or 5/64 allen wrench (like the one included in the kit).

Figure 14 — Remove nozzle.



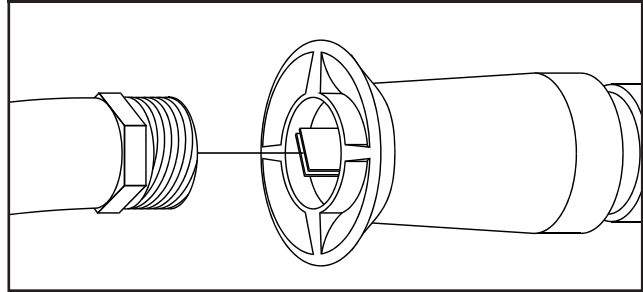
- Use the wire included in the kit (Figure 15) or a small paper clip to free the foreign materials clogging or restricting the nozzle.

Figure 15 — Clean the nozzle.



- Remove additional debris by back flushing water through wand extension (Figure 16). Back flush between 30 to 60 seconds. Turn nozzle extension to stream spray and move nozzle forward and backward while flushing.

Figure 16 — Backflush nozzle.



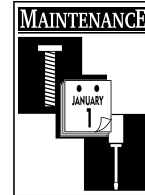
- Reinstall nozzle into the wand extension. DO NOT over-tighten.
- Reconnect the nozzle extension to the spray gun.
- Reconnect the water supply, turn on the water, and start the engine.
- Test the pressure washer by operating with nozzle in the high and in the low position.

ENGINE MAINTENANCE

See the engine owner's manual for instructions on how to properly maintain the engine.

SERVICE AND ADJUSTMENTS

See the engine owner's manual for instructions on how to properly service and adjust the engine.



PREPARING THE UNIT FOR STORAGE

Water should not remain in the unit for long periods of time. Sediments of minerals can deposit on pump parts and “freeze” pump action. If you do not plan to use the pressure washer for more than 30 days, follow this procedure:

1. Flush chemical injection tube by placing the injector filter into a pail of clean water while running pressure washer and squeezing the spray gun trigger with the adjustable nozzle in low pressure mode. Flush for two minutes.
2. Shut off the engine and let it cool, then remove all hoses.
3. Place throttle lever in STOP position.



CAUTION! Be sure throttle lever is in “STOP” position before you continue. If you start engine without proper water supply connected, you can damage the pump.

4. Empty the pump of all pumped liquids by pulling recoil handle about 6 times. This should remove most of the liquid in the pump.

NOTE: To protect unit from freezing temperatures, pour RV Antifreeze fluid (antifreeze without any alcohol) into a 3-foot section of garden hose connected to inlet adapter and pulling recoil handle twice.

5. Store in a clean, dry area.

STORING THE ENGINE

Using a fuel additive such as STA-BIL®, or equivalent, will prevent the build up of gum and varnish in the fuel system. Refer to the engine owner’s manual for further information.



Troubleshooting Points

Problem

Pump has following problems:
failure to produce pressure, erratic pressure, chattering, loss of pressure, low water volume.

Cause

1. Nozzle in low pressure mode.
2. Water inlet is blocked.
3. Inadequate water supply.
4. Inlet hose is kinked or leaking.
5. Clogged inlet hose strainer.
6. Water supply is over 140°F.
7. Outlet hose is blocked or leaks.
8. Gun leaks.
9. Nozzle is obstructed.
10. Pump is faulty.

Correction

1. Pull nozzle backward for high pressure mode.
2. Clear inlet.
3. Provide adequate water flow.
4. Straighten inlet hose, patch leak.
5. Check and clean inlet hose strainer.
6. Provide cooler water supply.
7. Clear blocks in outlet hose.
8. Replace gun.
9. Clear nozzle.
10. Contact Generac service facility.

Detergent fails to mix with spray.

1. Chemical injection tube is not submerged.
2. Chemical injection tube filter is clogged.
3. Nozzle is in high pressure mode.

1. Insert chemical injection tube into detergent.
2. Clean or replace filter/chemical injection tube.
3. Push nozzle forward for low pressure mode.

Engine runs good at no-load but “bogs” when load is added.

Engine speed is too slow.

Move throttle control to FAST . position. If engine still “bogs down” contact Generac service facility.



Troubleshooting Points

PROBLEM

Engine will not start; or starts and runs rough.

CAUSE

1. Low oil level.
2. Dirty air cleaner.
3. Out of gasoline.
4. Stale gasoline.
5. Spark plug wire not connected to spark plug.
6. Bad spark plug.
7. Water in gasoline.
8. Overchoking.

9. Excessively rich fuel mixture.
10. Intake valve stuck open or closed.
11. Engine has lost compression.

CORRECTION

1. Fill crankcase to proper level.
2. Clean or replace air cleaner.
3. Fill fuel tank.
4. Drain gas tank; fill with fresh fuel.
5. Connect wire to spark plug.

6. Replace spark plug.
7. Drain gas tank; fill with fresh fuel.
8. Open choke fully and crank engine.
9. Contact Generac service facility.
10. Contact Generac service facility.
11. Contact Generac service facility.

Engine shuts down during operation.

1. Out of gasoline.
2. Low oil level.

1. Fill fuel tank.
2. Fill crankcase to proper level.

Engine lacks power.

Dirty air filter.

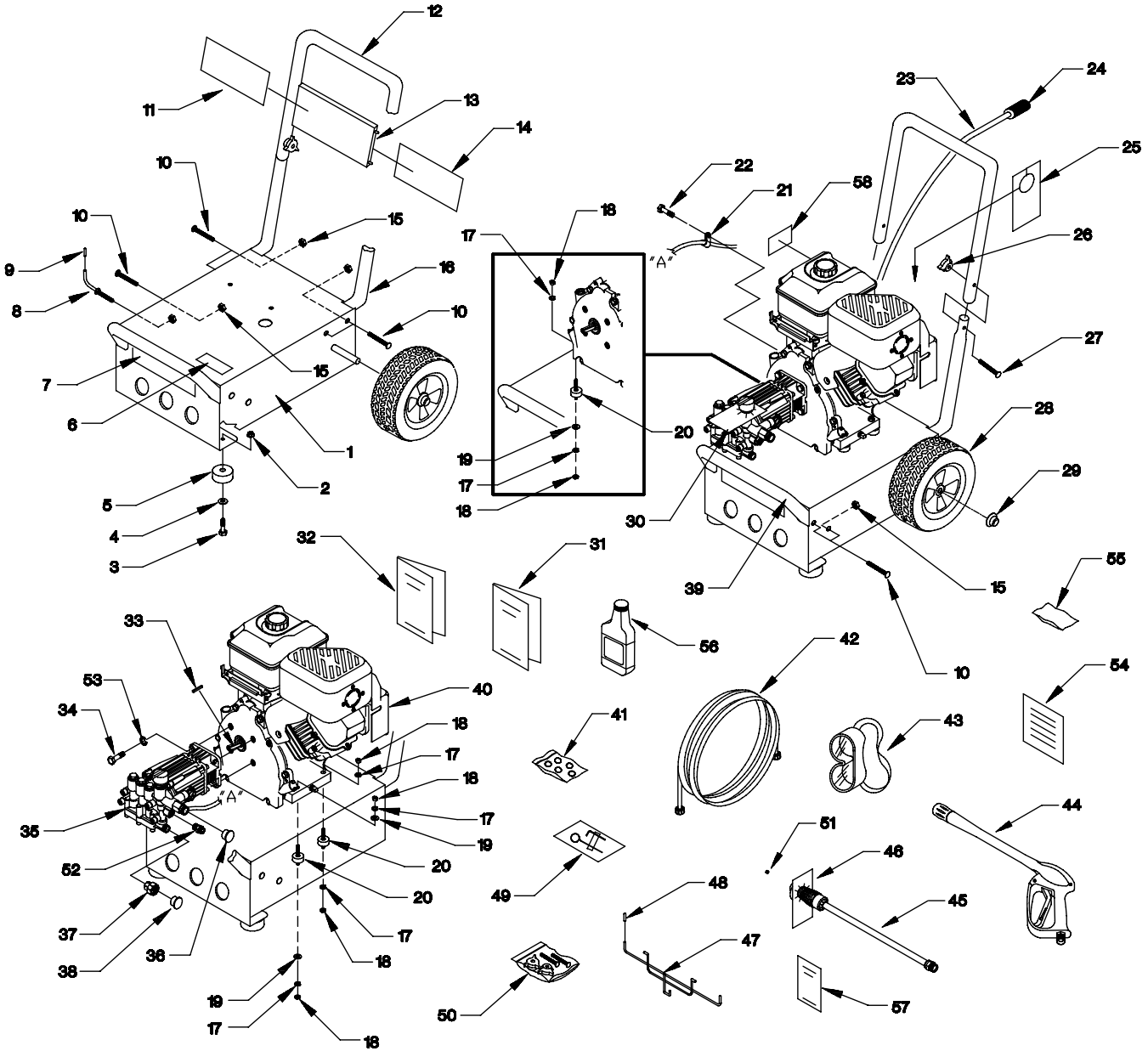
Replace air filter.

Engine "hunts" or falters.

Choke is opened too soon.

Move choke to halfway position until engine runs smoothly.

Exploded View — Pressure Washer

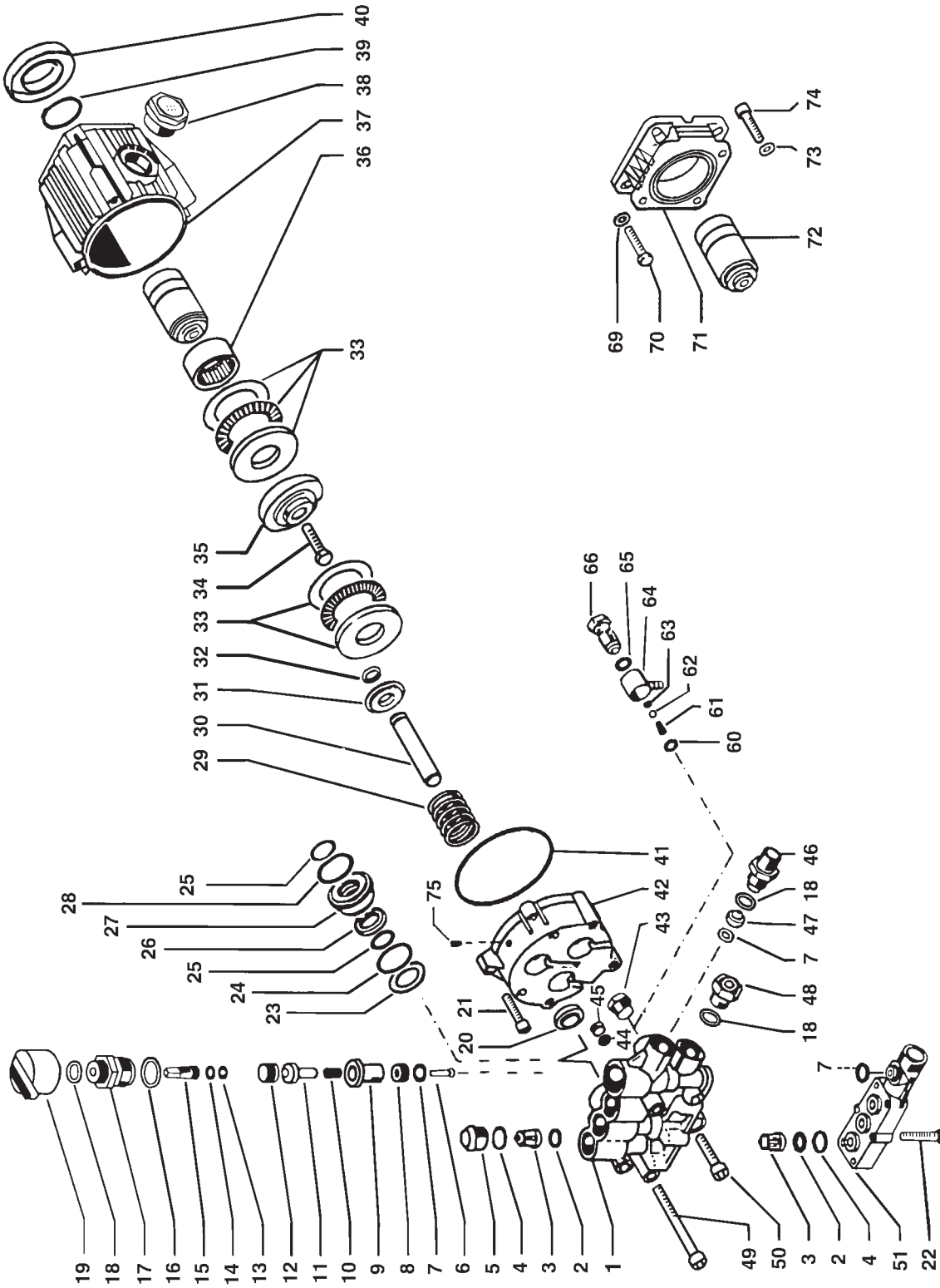


Drawing No. B3758

Parts List — Pressure Washer

<u>Item</u>	<u>Part #</u>	<u>Qty</u>	<u>Description</u>	<u>Item</u>	<u>Part #</u>	<u>Qty</u>	<u>Description</u>
1	AB1770	1	BASE	30	97054	1	TAG, Pres. Adjust
2	52858	2	NUT, M8 1.25 Locking Flange	31	B3297	1	MANUAL, Engine
3	42909	2	HHCS, M8 1.25 x 30	32	B3756	1	MANUAL
4	50190	2	WASHER, M8 Flat	33	23139B	1	KEY, 3/16 sq. x 1-1/2 Lg.
5	27007	2	MOUNT, Donut Type Vibration	34	95531	4	SHCS, 5/16 - 24 x 3/4
6	20566	1	DECAL, Generac #1-800	35	B3699	1	ASSEMBLY, Pump
7	B2192	1	DECAL, Generac	36	97100	1	CAP, H.P. Adapter
8	B2150	1	HOOK, Gun	37	89647A	1	CONNECTOR, Garden Hose
9	B2516	1	CAP, Vinyl (black)	38	97098	1	CAP, Garden Hose Inlet
10	B2043	7	BOLT, 5/16-18 x 1-3/4 Carriage	39	B1982	1	BUMPER
11	B3760	1	DECAL, Logo	40	NSP	1	ENGINE, B1827, 121412-0148-E1
12	B1983	1	HANDLE	41	B3057	1	KIT, "O" Ring
13	B1631A	1	BILLBOARD, Plastic	42	B3635	1	HOSE, High Pressure
14	B1932	1	DECAL, Instructions	43	87815	1	GOGGLES, Safety
15	99583	8	NUT, Flange Lock 5/16-18	44	B3263	1	GUN, High Pressure
16	B1981	2	SUPPORT, Handle	45	B3335C	1	LANCE, Nozzle, Hi-Lo
17	22129	8	LOCKWASHER, M8	46	97566	1	TAG, Nozzle Instructions
18	45771	8	NUT, M8 - 1.25 Hex	47	B2168A	1	HANGER, Hose, Gun, Jug
19	22145	3	FLATWASHER, 5/16 M8	48	B1460	2	CAP, Vinyl (black)
20	21217	4	MOUNT, Rubber Shock	49	B2163	1	KIT, Nozzle Cleaning
21	B1232	1	CLAMP, Hose 7/16" Dia.	50	B2203	1	KIT, Handle Fastening
22	32713	1	SCREW, Taptite #10-32 x 5/8	51	91661	1	NOZZLE, 1.2 Blue
23	A1040D	1	HOSE, 4-1/2' Chemical Clear	52	B3213	1	VALVE, Thermal Relief
24	A1041	1	FILTER, Chemical Hose	53	92479	4	LOCKWASHER, Ribbed
25	70453	1	TAG, Warning Oil	54	88681	1	CARD, Owner Registration
26	97178	2	KNOB, Handle 1/4 - 20 PW	55	85883	1	STA-BIL®
27	31669	2	BOLT, 1/4 - 20 x 1-3/4 Carriage	56	BB3061B	1	OIL
28	B1760	2	ASSEMBLY, 10" Tire & Wheel	57	83831	1	BROCHURE, Stabil
29	75402	2	PUSHNUT, .50 Dia.	58	81886	1	DECAL, Stabil

Exploded View — Pump



Parts List — Pump

<u>Item</u>	<u>Part #</u>	<u>Description</u>	<u>Qty</u>	<u>Item</u>	<u>Part #</u>	<u>Description</u>	<u>Qty</u>
1	100B3699	Manifold	1	34	148B3169	Screw, M8 x 28	1
2	165B3169	O-ring 12.42 x 1.78	6	35	134B3699	Wobble plate	1
3	102B3699	Valve unit	6	36	135B3699	Bearing bushing	1
4	103B3699	O-ring 5.60 x 1.78	6	37	136B3699	Crankcase	1
5	104B3699	Valve cap	3	38	100B3699A	Brass Cap	1
6	105B3699	Unloader valve screw	1	39	138B3699	Snap ring	1
7	106B3699	O-ring 9.92 x 2.62	3	40	139B3699	Oil seal	1
8	107B3699	Valve seat	1	41	12092293P	O-ring	1
9	108B3699	Spacer	1	42	141B3699	Piston guide	1
10	119B3699	Spring	1	43	173B3169	Plug, M14 x 1.5 x 9mm	1
11	110B3699	Unloader piston	1	44	143B3699	Plug, 10mm	1
12	111B3699	Seal	1	45	144B3699	O-ring	1
13	112B3699	O-ring	1	46	145B3699	Nipple, M22 x 1.5	1
14	113B3699	Anti-extrusion ring	1	47	146B3699	Orifice, 1.8mm	1
15	114B3699	Unloader stem	1	48	147B3699	Plug, 3/8"	1
16	10892293P	O-ring	1	49	148B3699	Screw, M8 x 70	4
17	116B3699	Guide	1	50	149B3699	Screw, M8 x 25	1
18	10292293P	O-ring	3	51	150B3699	Inlet manifold	1
19	118B3699	Regulating knob	1	60	177B3169	O-ring	1
20	119B3699	Oil seal	3	61	178B3169	Spring, conical	1
21	120B3699	Screw, M6 x 30	4	62	179B3169	Ball, 7/32"	1
22	12692294P	Screw, M6 x 30	6	63	11492293P	O-ring	1
23	122B3699	Head ring	3	64	197B3169	Hose barb	1
24	123B3699	O-ring	3	65	11292293P	O-ring	1
25	120B3169	O-ring	6	66	157B3699	Injector housing	1
26	125B3699	Packing	3	69	12492293P	Washer	4
27	126B3699	Retainer 15mm	3	70	159B3699	Screw	4
28	119B3169	O-ring	3	71	160B3699	Gas mounting flange	1
29	128B3699	Spring 33 x 56	3	72	161B3699	Crankshaft	1
30	129B3699	Piston assembly	3	73	10692293P	Washer	4
31	130B3699	Spring plate	3	74	12692293P	Screw	4
32	131B3699	Spring plate retainer	3	75	164B3699	Vent plug	1
33	132B3699	Roller bearing	2				

Repair Kits

<u>Description</u>	<u>Part #</u>	<u>Items included</u> <u>in kit</u>	<u># Assys</u> <u>in Kit</u>
High Pressure Seal	201B3699	23, 24, 25, 26, 27, 28	1
Check Valve C / O Ring	202B3699	4, 5	4
Check Valve / O Ring	203B3699	2, 3	6
Oil Seal	204B3699	20	3
Unloader	205B3699	6, 7, 8, 9, 10, 11, 12, 13, 14, 15, 16, 17, 18	1



Limited Pressure Washer Warranties (includes “Master Contractor”)

Generac Portable Products warrants to the original retail purchaser, the pressure washer manufactured by Generac Portable Products to be free from defects in material and workmanship for the period(s) set forth below from the date of original purchase. This warranty is not transferable. The term “original purchaser” means the person for whom the pressure washer is originally purchased.

Warranty Schedules

Electric Power Washer	1 year (does not apply to commercial or rental applications)		
		CONSUMER*	COMMERCIAL*
All Other Engine-driven	Engine:	Warranted solely by Engine Manufacturer	Warranted solely by Engine Manufacturer
	Pump:	1 year	90 days

*** NOTE: For the purpose of this warranty “consumer use” means personal residential household use by original purchaser. “Commercial Use” means all other uses, including rental, construction, commercial and income producing purposes. Once a pressure washer has experienced commercial use, it shall thereafter be considered a commercial use pressure washer for the purposes of this warranty.**

During said warranty period, Generac Portable Products will, at its option, repair or replace any part which, upon examination by Generac Portable Products or Generac Portable Products Authorized Dealers, is found to be defective under normal use and service**. All transportation costs under warranty, including return to the factory if necessary, are to be borne by the purchaser and prepaid by the purchaser.

**** NORMAL WEAR: As with all mechanical devices, pressure washers need periodic parts service and replacement to perform well. This warranty will not cover repair when normal use has exhausted the life of a part or pressure washer pump.**

THIS WARRANTY DOES NOT INCLUDE: Used products and demonstration equipment. Parts such as GUNS, HOSES, WANDS, NOZZLES or other wear items such as quick couplers, oil, gauges, belts, O-rings, filters, pump packing, etc. Pumps which have been run without water supplied. Damage or malfunctions resulting from: accidents, abuse, modifications, alterations, or improper servicing. Freezing or chemical deterioration. Normal maintenance such as adjustments, fuel system cleaning and obstruction (due to chemical, dirt, carbon or lime, etc.).

THIS WARRANTY IS IN PLACE OF ALL OTHER WARRANTIES, EXPRESS OR IMPLIED, SPECIFICALLY, GENERAC PORTABLE PRODUCTS MAKES NO OTHER WARRANTIES AS TO MERCHANTABILITY OR FITNESS FOR A PARTICULAR PURPOSE. THE DURATION OF ANY IMPLIED WARRANTIES WHICH CANNOT BE DISCLAIMED IS LIMITED TO THE TIME PERIOD AS SPECIFIED IN THE EXPRESS WARRANTY. LIABILITY FOR CONSEQUENTIAL, INCIDENTAL, OR SPECIAL DAMAGES UNDER ANY AND ALL WARRANTIES IS EXCLUDED, EVEN IF SUCH DAMAGES ARE A DIRECT RESULT OF GENERAC PORTABLE PRODUCTS' NEGLIGENCE. GENERAC ALSO DISCLAIMS ANY RESPONSIBILITY FOR INCIDENTAL OR CONSEQUENTIAL DAMAGES SUCH AS THE LOSS OF TIME OR THE USE OF THE POWER EQUIPMENT, OR ANY COMMERCIAL LOSS DUE TO THE FAILURE OF THE EQUIPMENT: AND ANY IMPLIED WARRANTIES ARE LIMITED TO THE DURATION OF THIS WRITTEN WARRANTY. Some states do not allow limitations on how long an implied warranty lasts, or the exclusion or limitation of incidental or consequential damages, so the above limitations or exclusions may not apply to you. This warranty gives you specific legal rights and you may also have other rights, which vary from state to state.

For service, see your nearest Generac Portable Products authorized warranty service facility or call 1-877-544-0982. Warranty service can be performed only by a Generac Portable Products authorized service facility. This warranty will not apply to service at any other facility. At the time of requesting warranty service, evidence of original purchase date must be presented.