

Husqvarna®

Illustrated Parts List Pressure Washer / Lavadora de Presión Pressure Washer



This pressure washer is rated in accordance to the Pressure Washer Manufacture Association (PWMA) Standard PW101 (Testing and Rating Performance of Pressure Washers).

Questions? Help is just a moment away!
Preguntas? La ayuda es justa un momento lejos!
Call: Pressure Washer Helpline

Llame: Línea Directa del Lavadora a Presión - 1-877-224-0458 M-F 8-5 CT

Model / Modelo

| Mfg. No. | Description / Descripción |
|-----------|---------------------------|
| 020490-00 | 3,100 PSI Husqvarna |

Manual Part No. 317740

Revision -
Rev. Date: 3/29/2012

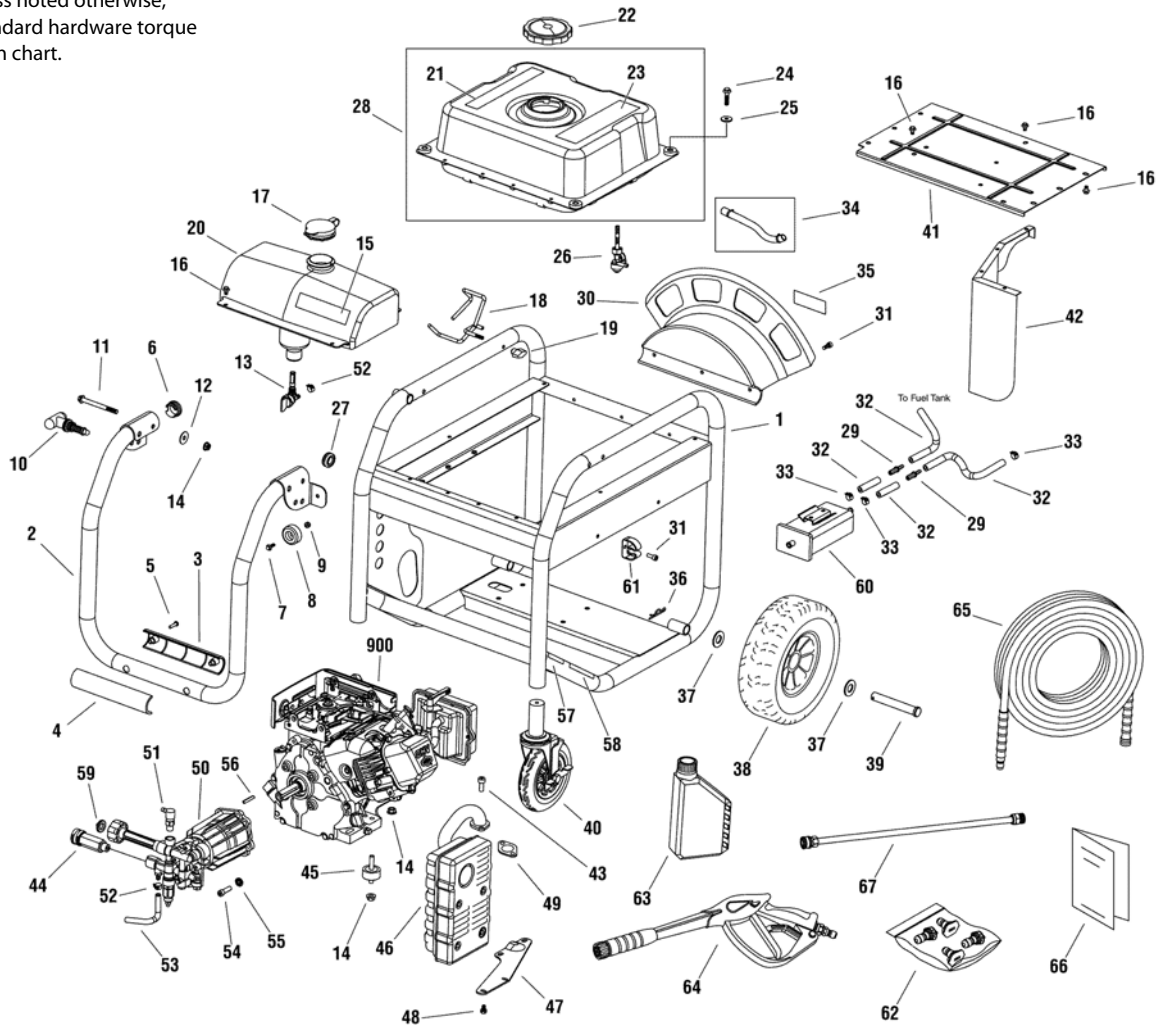
| PRODUCT COMPONENTS | PAGES |
|----------------------------------|-------------------------|
| Main Unit | 4 |
| Pump | 7 |
| Torque Specification Chart | Inside Back Cover |

Not for
Reproduction

Main Unit

316332

NOTE: Unless noted otherwise, use the standard hardware torque specification chart.



| REF. | PART NO. | DESCRIPTION | REF. | PART NO. | DESCRIPTION |
|------|----------|----------------------|------|----------|--------------------------|
| 1 | 316434GS | BASE | 18 | 316500GS | WIREFORM |
| 2 | 313252GS | HANDLE | 19 | 194289GS | KNOB |
| 3 | 316502GS | GRIP, Handle | 20 | 316342GS | TANK, Chemical |
| 4 | 316501GS | GRIP, Handle | 21 | 316936GS | DECAL |
| 5 | ** | SCREW, M5-0.8 x 20 | 22 | 316670GS | CAP, Fuel |
| 6 | 316712GS | CAP, Plug | 23 | 316778GS | DECAL |
| 7 | ** | SCREW, M6 x 18 | 24 | ** | SCREW, M6 x 25 HEX |
| 8 | 316713GS | MOUNT, Vibration | 25 | 312005GS | WASHER |
| 9 | ** | NUT, M6 1.0 | 26 | 209417GS | VALVE, Fuel |
| 10 | 316732GS | T-KNOB | 27 | 30809GS | GROMMET |
| 11 | 316508GS | SCREW | 28 | 315531GS | TANK, Fuel |
| 12 | ** | WASHER, Flat, M8 | 29 | 317025GS | BARB, Hose |
| 13 | 317106GS | VALVE, Chemical Tank | 30 | 316374GS | WRAP, Hose |
| 14 | ** | NUT, M8 FLANGE | 31 | ** | SCREW, M6-1.0 x 16 |
| 15 | 316726GS | DECAL | 32 | 315017GS | HOSE, Vapor (cut to fit) |
| 16 | ** | SCREW, M6 x 10 | 33 | 48031JGS | CLAMP |
| 17 | 316764GS | CAP, Chemical Tank | | | |

Footnotes

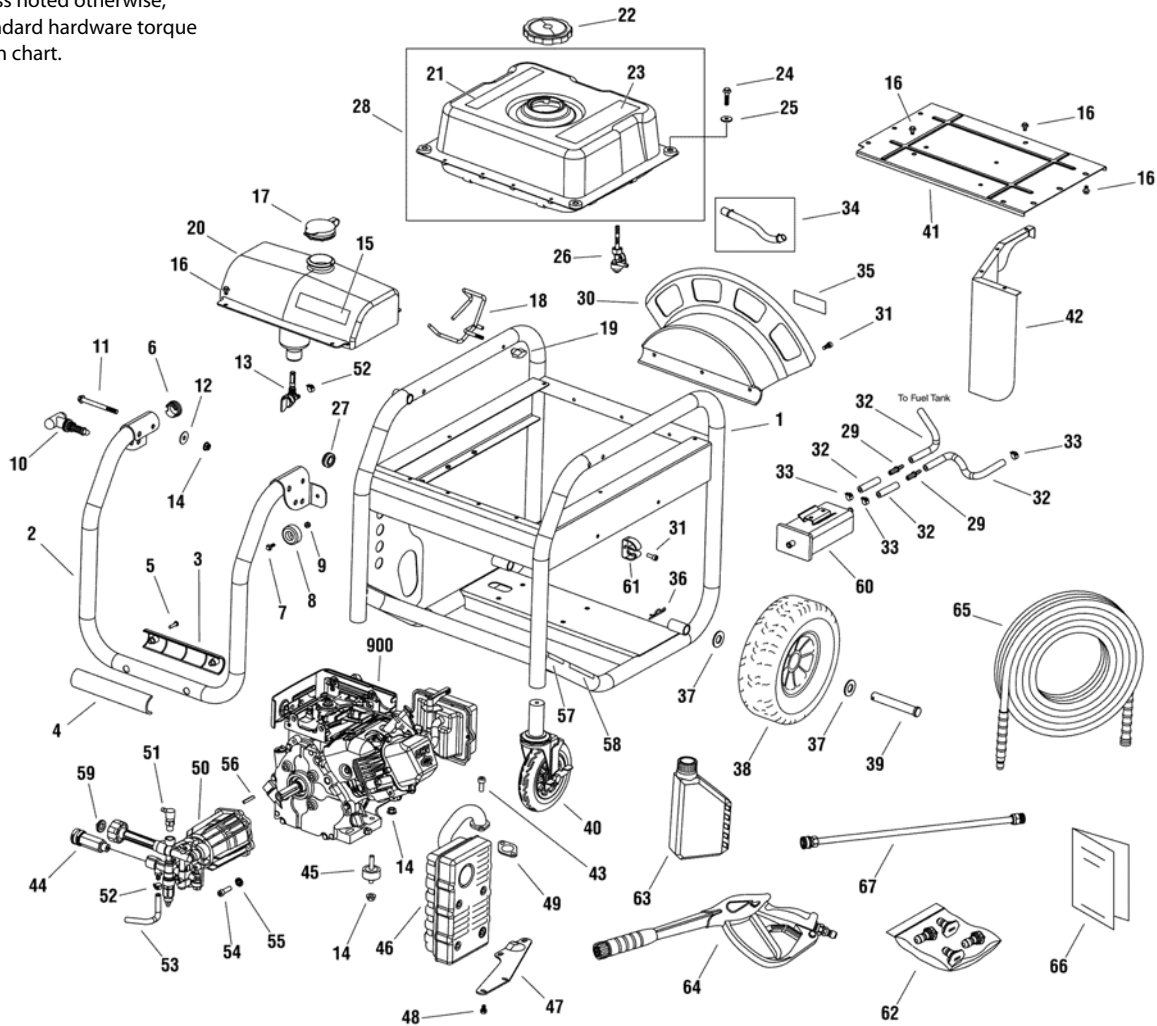
* Contact Engine Manufacturer for parts and service.

The above parts group applies to the following Mfg. Nos.:
020490-00 - 3,100 PSI Hus qvarna

Main Unit

316332

NOTE: Unless noted otherwise, use the standard hardware torque specification chart.



| REF. | PART NO. | DESCRIPTION | REF. | PART NO. | DESCRIPTION |
|------|-----------|-----------------------------|------|------------|-----------------------|
| 34 | 791745 | KIT, Fuel Hose (cut to fit) | 51 | 208673GS | VALVE, Thermal Relief |
| 35 | 197798GS | DECAL | 52 | 48031GGS | CLAMP |
| 36 | 5025210YP | PIN, Hair | 53 | A1040DGS | HOSE, Chemical |
| 37 | ** | WASHER, Flat, 5/8" | 54 | 23707GS | SCREW |
| 38 | 316406GS | WHEEL | 55 | 92479GS | WASHER |
| 39 | 316714GS | AXLE | 56 | 23139DGS | KEY |
| 40 | 316405GS | WHEEL, Caster | 57 | 208538GS | DECAL |
| 41 | 317058GS | HEATSHIELD | 58 | 316727GS | DECAL |
| 42 | 316505GS | HEATSHIELD | 59 | B2384GS | FILTER, Garden Hose |
| 43 | ** | SCREW, M8 - 1.25 x 20 | 60 | 316783GS | CARBON CANISTER |
| 44 | 316372GS | FITTING | 61 | 316503GS | CLIP |
| 45 | 21217GS | MOUNT, Vibration | 62 | 314075GS | KIT, Nozzle |
| 46 | 188301GS | MUFFLER | -- | 198841GS | NOZZLE, QC Black |
| 47 | 191785GS | BRACKET, Muffler | -- | 195983AAGS | NOZZLE, QC Red |
| 48 | ** | SCREW, M6 1.0 x 12 | -- | 195983RGS | NOZZLE, QC White |
| 49 | 697815 | GASKET | -- | 195983TGS | NOZZLE, QC Yellow |
| 50 | 317604GS | PUMP | 63 | 316768GS | OIL BOTTLE |

Footnotes

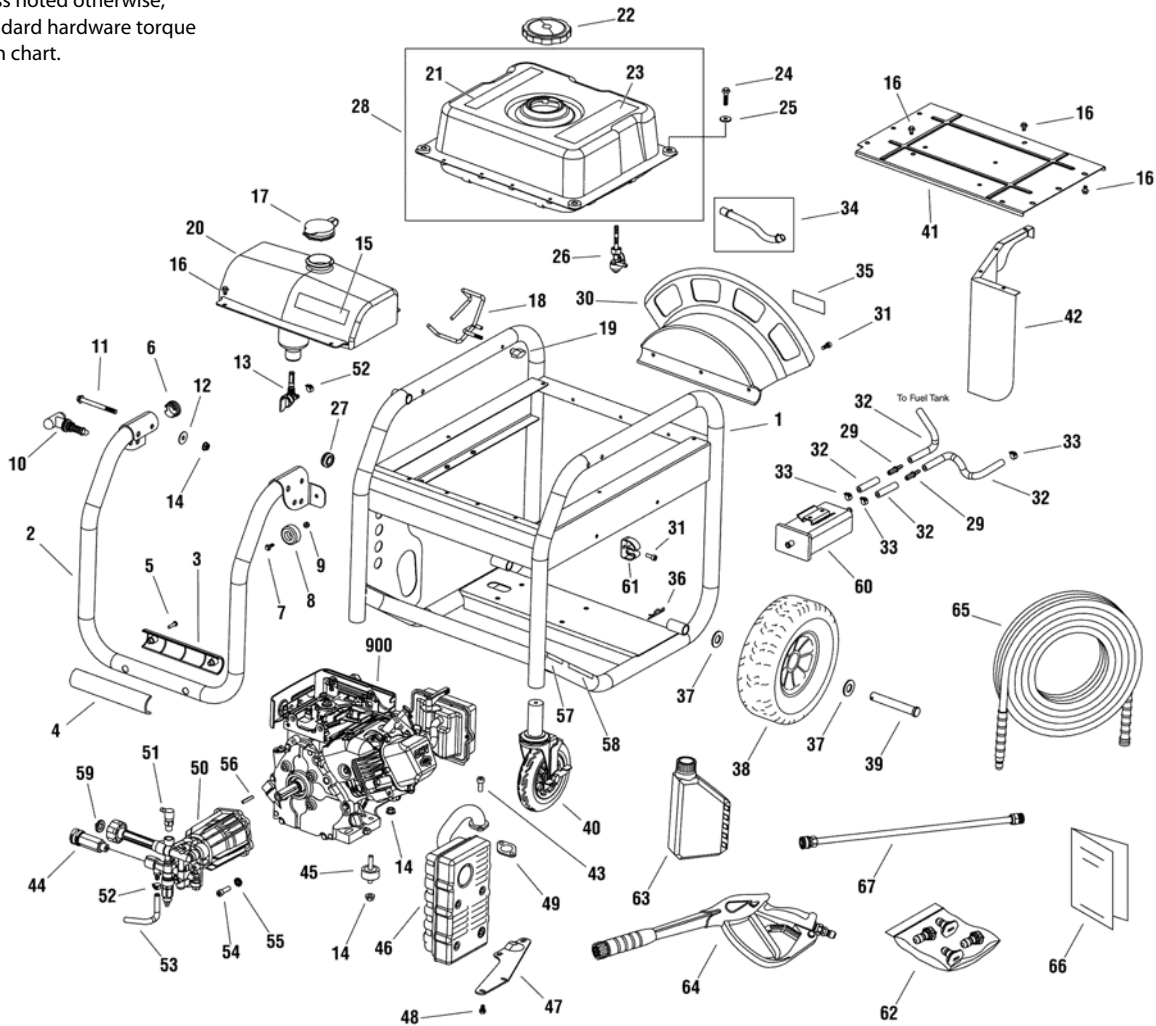
* Contact Engine Manufacturer for parts and service.

The above parts group applies to the following Mfg. Nos.:
020490-00 - 3,100 PSI Hus qvarna

Main Unit

316332

NOTE: Unless noted otherwise, use the standard hardware torque specification chart.



| REF. | PART NO. | DESCRIPTION | REF. | PART NO. | DESCRIPTION |
|------|----------|---------------------------------------|------|----------|-------------|
| 64 | 316157GS | GUN | | | |
| 65 | 316465GS | HOSE | | | |
| 66 | 316330GS | MANUAL, Operator | | | |
| 67 | 200595GS | EXTENSION | | | |
| 900 | ---- | *ENGINE | | | |
| -- | 316782GS | WRENCH, Allen (Parts Not Illustrated) | | | |
| -- | 317365GS | OIL FUNNEL (Parts Not Illustrated) | | | |
| -- | 6039 | PUMP SAVER (Optional Accessory) | | | |

Footnotes

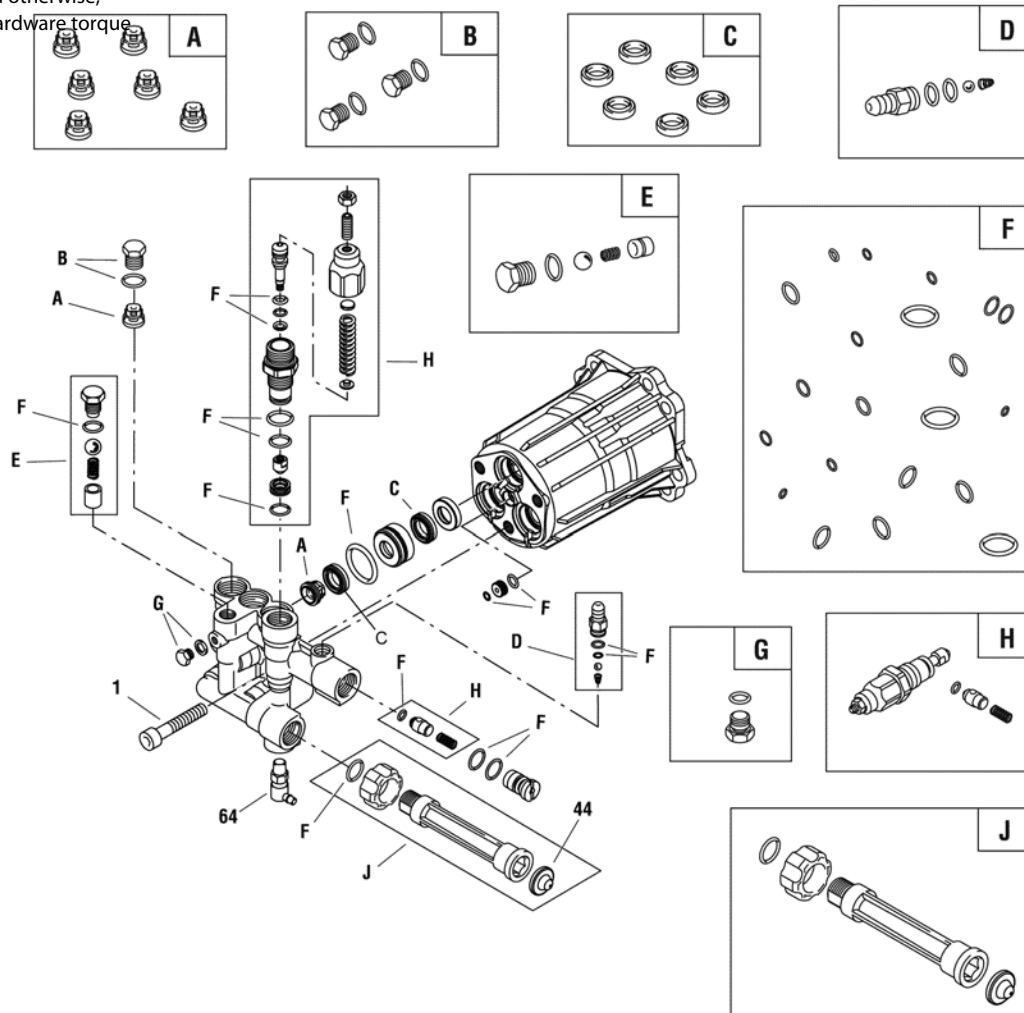
* Contact Engine Manufacturer for parts and service.

The above parts group applies to the following Mfg. Nos.:
020490-00 - 3,100 PSI Hus qvarna

Pump

316275

NOTE: Unless noted otherwise, use the standard hardware torque specification chart.



| REF. | PART NO. | DESCRIPTION | REF. | PART NO. | DESCRIPTION |
|------|----------|---------------------------------|------|----------|-------------|
| 1 | 204087GS | SCREW | | | |
| 44 | B2384GS | FILTER, Garden Hose | | | |
| 64 | 208673GS | VALVE, Thermal Relief | | | |
| A | 204082GS | KIT, Check Valve | | | |
| B | 317056GS | KIT, Plug | | | |
| C | 204084GS | KIT, Water Seal | | | |
| D | 317787GS | KIT, Chemical Inj. | | | |
| E | 317788GS | KIT, Easy Start | | | |
| F | 317843GS | KIT, O- Ring | | | |
| G | 200350GS | SCREW, Grub | | | |
| H | 315747GS | KIT, Unloader | | | |
| J | 201496GS | KIT, Water Inlet | | | |
| -- | 6039 | PUMP SAVER (Optional Accessory) | | | |

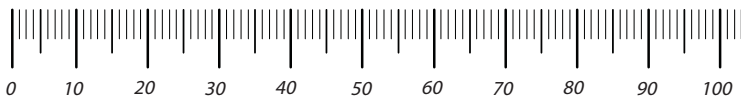
Footnotes

The above parts group applies to the following Mfg. Nos.:
020490-00 - 3,100 PSI Hus qvarna

Hardware Identification & Torque Specifications

| Torque Specification Chart FOR STANDARD METRIC MACHINE HARDWARE (Tolerance ± 20%) | | | | | | | | |
|--|------------------|------|------------------|------|--------------------|------|--------------------|------|
| Property Class | 5.6 Class 5.6 | | 8.8 Class 8.8 | | 10.9 Class 10.9 | | 12.9 Class 12.9 | |
| | in/lbs ft/lbs | Nm. | in/lbs ft/lbs | Nm. | in/lbs ft/lbs | Nm. | in/lbs ft/lbs | Nm. |
| M3 | 5.88 | .56 | 13.44 | 1.28 | 19.2 | 1.80 | 22.92 | 2.15 |
| M4 | 13.44 | 1.28 | 30.72 | 2.90 | 43.44 | 4.10 | 52.56 | 4.95 |
| M5 | 26.4 | 2.50 | 60.96 | 5.75 | 5.97 | 8.10 | 7.15 | 9.7 |
| M6 | 44.64 | 4.3 | 7.3 | 9.9 | 10.3 | 14 | 12.1 | 16.5 |
| M7 | 5.2 | 7.1 | 12.1 | 16.5 | 16.9 | 23 | 19.9 | 27 |
| M8 | 7.7 | 10.5 | 17.7 | 24 | 25 | 34 | 29 | 40 |
| M10 | 15 | 21 | 35 | 48 | 50 | 67 | 59 | 81 |
| M12 | 26 | 36 | 61 | 83 | 86.2 | 117 | 103 | 140 |
| M14 | 42 | 58 | 101 | 132 | 136 | 185 | 162 | 220 |
| M16 | 64 | 88 | 147 | 200 | 210 | 285 | 250 | 340 |
| M18 | 89 | 121 | 202 | 275 | 287 | 390 | 346 | 470 |
| M20 | 126 | 171 | 290 | 390 | 405 | 550 | 486 | 660 |
| M22 | 169 | 230 | 390 | 530 | 559 | 745 | 656 | 890 |
| M24 | 217 | 295 | 497 | 375 | 708 | 960 | 840 | 1140 |
| M27 | 320 | 435 | 733 | 995 | 1032 | 1400 | 1239 | 1680 |
| M30 | 435 | 590 | 995 | 1350 | 1401 | 1900 | 1681 | 2280 |
| M33 | 590 | 800 | 1349 | 1830 | 1902 | 2580 | 2278 | 3090 |
| M36 | 759 | 1030 | 1740 | 2360 | 2441 | 3310 | 2935 | 3980 |
| M39 | 988 | 1340 | 2249 | 3050 | 3163 | 4290 | 3798 | 5150 |

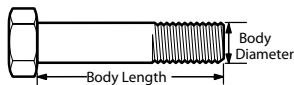
The guides and ruler furnished below are designed to help you select the appropriate hardware.



Nut, M8

Thread Diameter (mm)
Inside Diameter (in)
Threads per inch

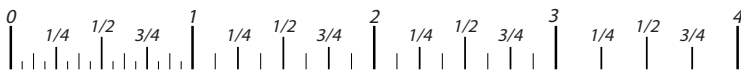
Nut, 1/2-16



Screw, M8- 1.25 x 25

Thread Diameter (mm)
Body Diameter
Distance between threads (mm)
Threads per inch
Body Length (mm)
Body Length (in)

Screw, 1/2- 16 x 2



Standard Hardware Sizing

When a washer or nut is identified as 1/2" (M8), this is the *Nominal size*, meaning the *inside diameter* is 1/2 inch (8mm metric thread diameter); if a second number is present it represents the *threads per inch* (distance between threads).

When bolt or capscrew is identified as 1/2 - 16 x 2" (M8 - 1.25 x 50), this means the *Nominal size*, or body diameter is 1/2 inch (8mm metric thread diameter), the second number, 16, represents the *threads per inch*, (1.25 thread diameter). The final number is the body length of the bolt or screw, 2 inches (50mm).

| Torque Specification Chart FOR STANDARD MACHINE HARDWARE (Tolerance ± 20%) | | | | | | |
|---|-------------------------|-------|------------------|-------|------------------|---------|
| Hardware Grade | No Marks SAE Grade 2 | | SAE Grade 5 | | SAE Grade 8 | |
| | in/lbs ft/lbs | Nm. | in/lbs ft/lbs | Nm. | in/lbs ft/lbs | Nm. |
| 8-32 | 19 | 2.1 | 30 | 3.4 | 41 | 4.6 |
| 8-36 | 20 | 2.3 | 31 | 3.5 | 43 | 4.9 |
| 10-24 | 27 | 3.1 | 43 | 4.9 | 60 | 6.8 |
| 10-32 | 31 | 3.5 | 49 | 5.5 | 68 | 7.7 |
| 1/4-20 | 66 | 7.6 | 8 | 10.9 | 12 | 16.3 |
| 1/4-28 | 76 | 8.6 | 10 | 13.6 | 14 | 19.0 |
| 5/16-18 | 11 | 15.0 | 17 | 23.1 | 25 | 34.0 |
| 5/16-24 | 12 | 16.3 | 19 | 25.8 | 29 | 34.0 |
| 3/8-16 | 20 | 27.2 | 30 | 40.8 | 45 | 61.2 |
| 3/8-24 | 23 | 31.3 | 35 | 47.6 | 50 | 68.0 |
| 7/16-14 | 30 | 40.8 | 50 | 68.0 | 70 | 95.2 |
| 7/16-20 | 35 | 47.6 | 55 | 74.8 | 80 | 108.8 |
| 1/2-13 | 50 | 68.0 | 75 | 102.0 | 110 | 149.6 |
| 1/2-20 | 55 | 74.8 | 90 | 122.4 | 120 | 163.2 |
| 9/16-12 | 65 | 88.4 | 110 | 149.6 | 150 | 204.0 |
| 9/16-18 | 75 | 102.0 | 120 | 163.2 | 170 | 231.2 |
| 5/8-11 | 90 | 122.4 | 150 | 204.0 | 220 | 299.2 |
| 5/8-18 | 100 | 136 | 180 | 244.8 | 240 | 326.4 |
| 3/4-10 | 160 | 217.6 | 260 | 353.6 | 386 | 525.0 |
| 3/4-16 | 180 | 244.8 | 300 | 408.0 | 420 | 571.2 |
| 7/8-9 | 140 | 190.4 | 400 | 544.0 | 600 | 816.0 |
| 7/8-14 | 155 | 210.8 | 440 | 598.4 | 660 | 897.6 |
| 1-8 | 220 | 299.2 | 580 | 788.8 | 900 | 1,244.0 |
| 1-12 | 240 | 326.4 | 640 | 870.4 | 1,000 | 1,360.0 |

NOTES

- These torque values are to be used for all hardware excluding: locknuts, self-tapping screws, thread forming screws, sheet metal screws and socket head setscrews.
- Recommended seating torque values for locknuts:
 - for prevailing torque locknuts - use 65% of grade 5 torques.
 - for flange whizlock nuts and screws - use 135% of grade 5 torques.
- Unless otherwise noted on assembly drawings, all torque values must meet this specification.

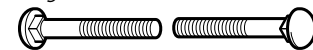
Common Hardware Types

Hex Head Capscrew



Washer

Carriage Bolt



Lockwasher



Hex Nut

Wrench & Fastener Size Guide



1/4" Bolt or Nut
Wrench—7/16"



5/16" Bolt or Nut
Wrench—1/2"



3/8" Bolt or Nut
Wrench—9/16"



7/16" Bolt or Nut
Wrench (Bolt)—5/8"
Wrench (Nut)—11/16"



1/2" Bolt or Nut
Wrench—3/4"

M6 Bolt or Nut
Wrench—10mm

M8 Bolt or Nut
Wrench—13mm

M10 Bolt or Nut
Wrench—17mm

M12 Bolt or Nut
Wrench—19mm

M14 Bolt or Nut
Wrench—22mm



Not for
Reproduction

Briggs & Stratton Power Products Group, LLC

Copyright© 2012 Briggs & Stratton Power Products Group, LLC. All rights reserved. No part of this page can be produced or transmitted in any form by any means without the express written permission of Briggs & Stratton Power Products Group, LLC.