

Spare parts list  
(59706990) Spare parts list K5.85 \*USA

Spare parts list K5.85 *USA (59706990).....	6
10 Housing (01015320).....	7
11 Housing (01016350).....	8
12 Hose reel (01017060).....	10
20 Pump set (01015610).....	12
21 Cylinder head (01015690).....	13
22 Thrust guidance (01015700).....	15
23 Water intake (01015820).....	17
30 Motor (01015830).....	19
40 Accessories (01015840).....	21
41 Hand trigger gun (01016040).....	22
42 Hand trigger gun (01092430).....	24
3 Spare part set O-Ring seal 5x (28802960).....	26
43 Jet pipe (01016050).....	28
50 Electric box (01016140).....	30

Spare parts list K5.85 \*USA (59706990)

---

pos Article no. Description

10 01015320 Housing

---

20 01015610 Pump set

---

30 01015830 Motor

---

40 01015840 Accessories

---

50 01016140 Electric box

---

10 Housing (01015320)

---

pos Article no. Description

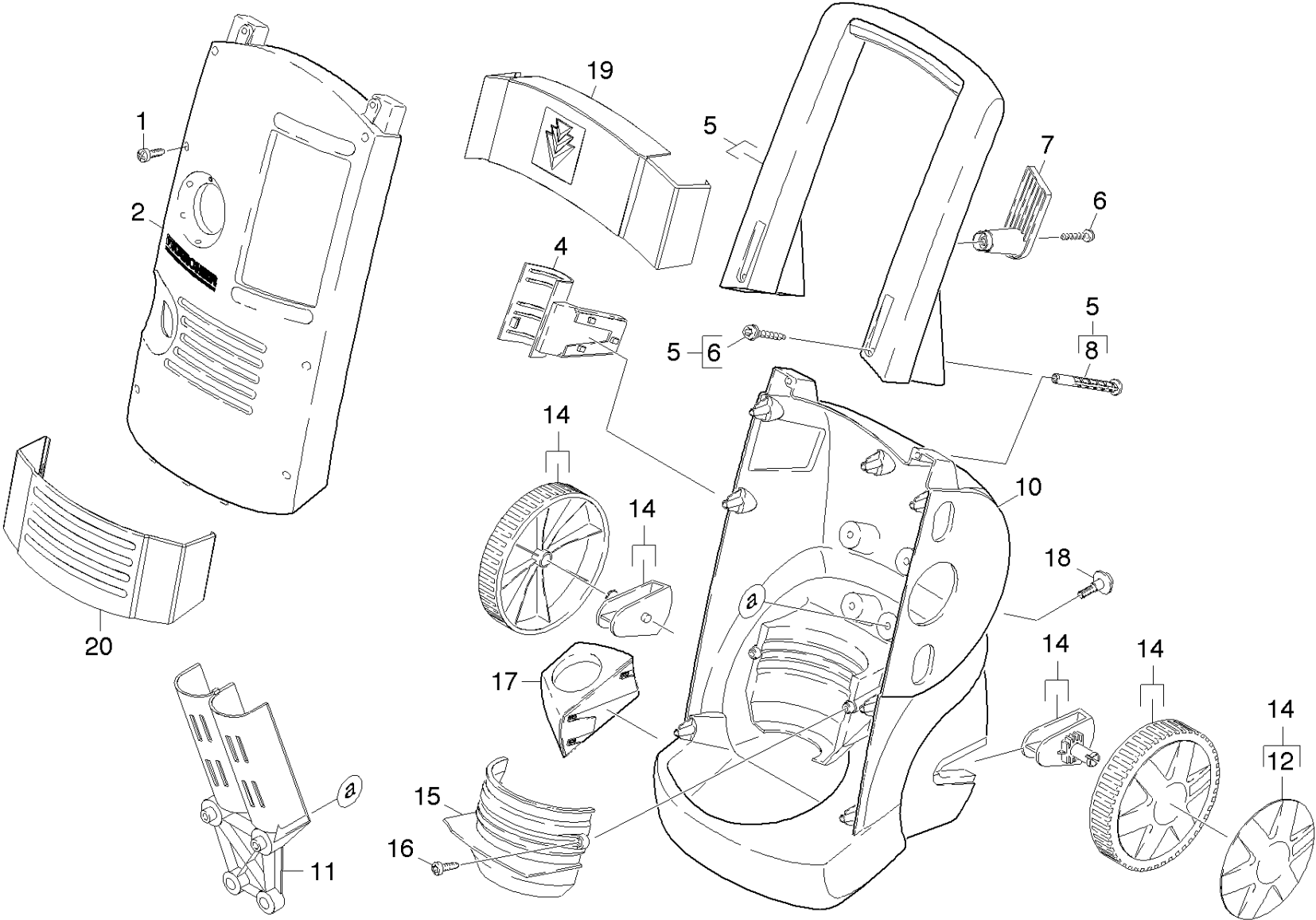
---

11 01016350 Housing

---

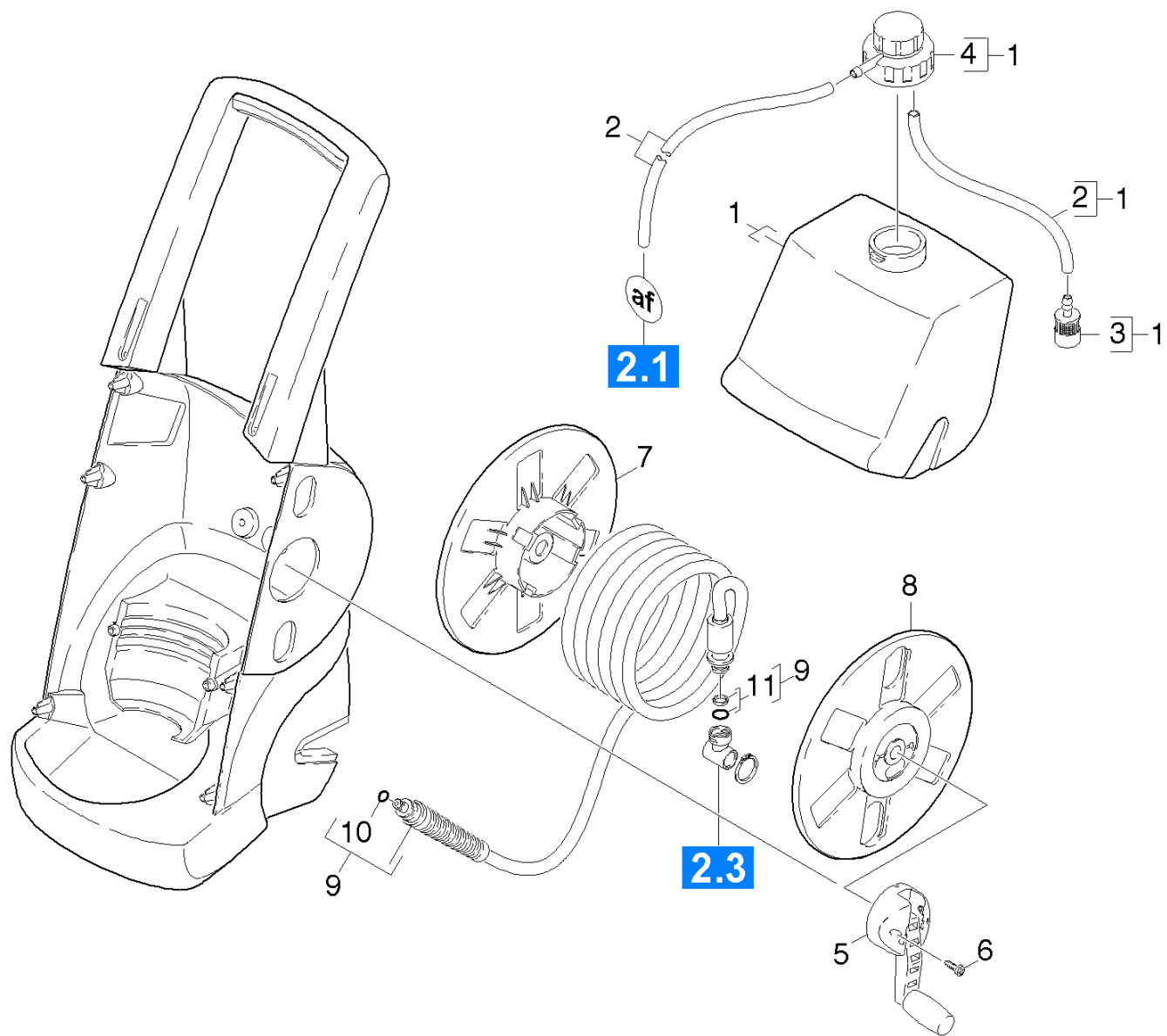
12 01017060 Hose reel

---



## 11 Housing (01016350)

ET/VT	pos	Article no.	Description	Quantity	Selling Unit
	1	63031500	Screw 4,2x 22	6.000	ST
	2	50325290	Cover neutrally K5.85	1.000	ST
X-	4	50446900	Holder pistol above	1.000	ST
	5	43211640	Handhold complete K5	1.000	ST
	6	90861570	Screw 5x30	2.000	ST
	7	50446320	Holder cable	1.000	ST
	8	53170950	Bolt	2.000	ST
	10	50323200	Chassis rear K5.85	1.000	ST
	11	56722790	Bracket accessories	1.000	ST
	12	28849890	Spare part set wheel cab	2.000	ST
	14	28845000	Spare part set wheel D180	2.000	ST
	15	56920660	Air circulation K580	1.000	ST
	16	63032000	Screw 5x25-IN6RD	2.000	ST
	17	50446910	Holder pistol bottom	2.000	ST
	18	73060940	Screw M6x25 -8.8-R3R (In6Rd)	2.000	ST
	19	50448680	Screen above	1.000	ST
	20	50448690	Screen bottom	1.000	ST



12 Hose reel (01017060)

pos	Article no.	Description	Quantity	Selling Unit	Fußnotentext
1	40711380	Tank cleaning agents K580	1.000	ST	
2	63882160	Hose DN 5	1.000	M	TO ORDER AS CUT GOODS
3	57316520	Filter with weight	1.000	ST	
4	40638070	Cover tank cleaning agents	1.000	ST	
5	47760290	Crank hose reel	1.000	ST	
6	63031500	Screw 4,2x 22	2.000	ST	
7	57760120	Hose reel	1.000	ST	
8	57760110	Hose reel	1.000	ST	
9	44407880	High pressure hose 12/16MPa, KAER., 60G,	1.000	ST	
10	63631980	O-Ring seal 6x2 90 shore PUR	1.000	ST	
11	63630310	O-Ring seal complete 1ST.-R. NBR 90	1.000	ST	



20 Pump set (01015610)

---

pos Article no. Description

21 01015690 Cylinder head

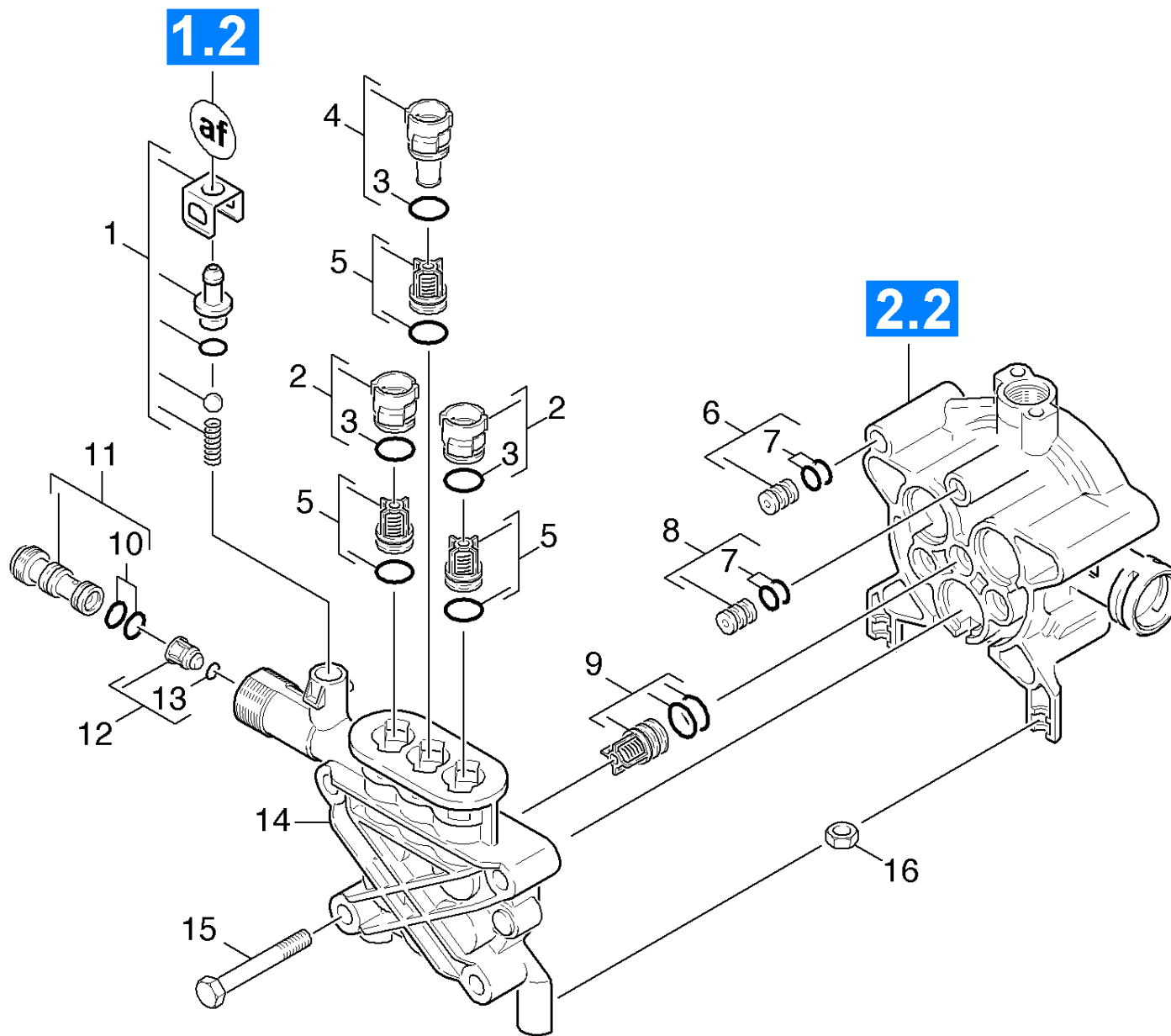
---

22 01015700 Thrust guidance

---

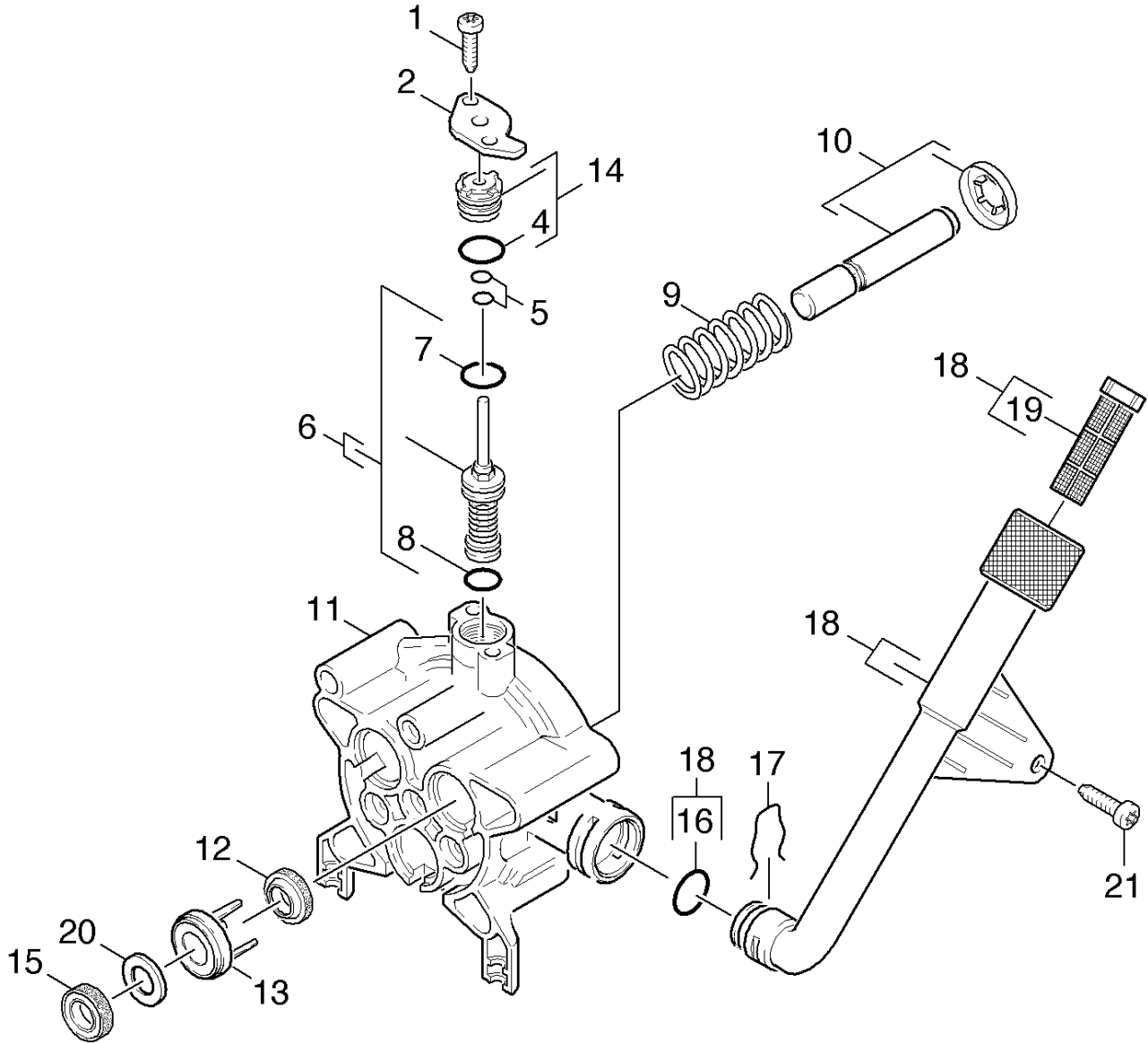
23 01015820 Water intake

---



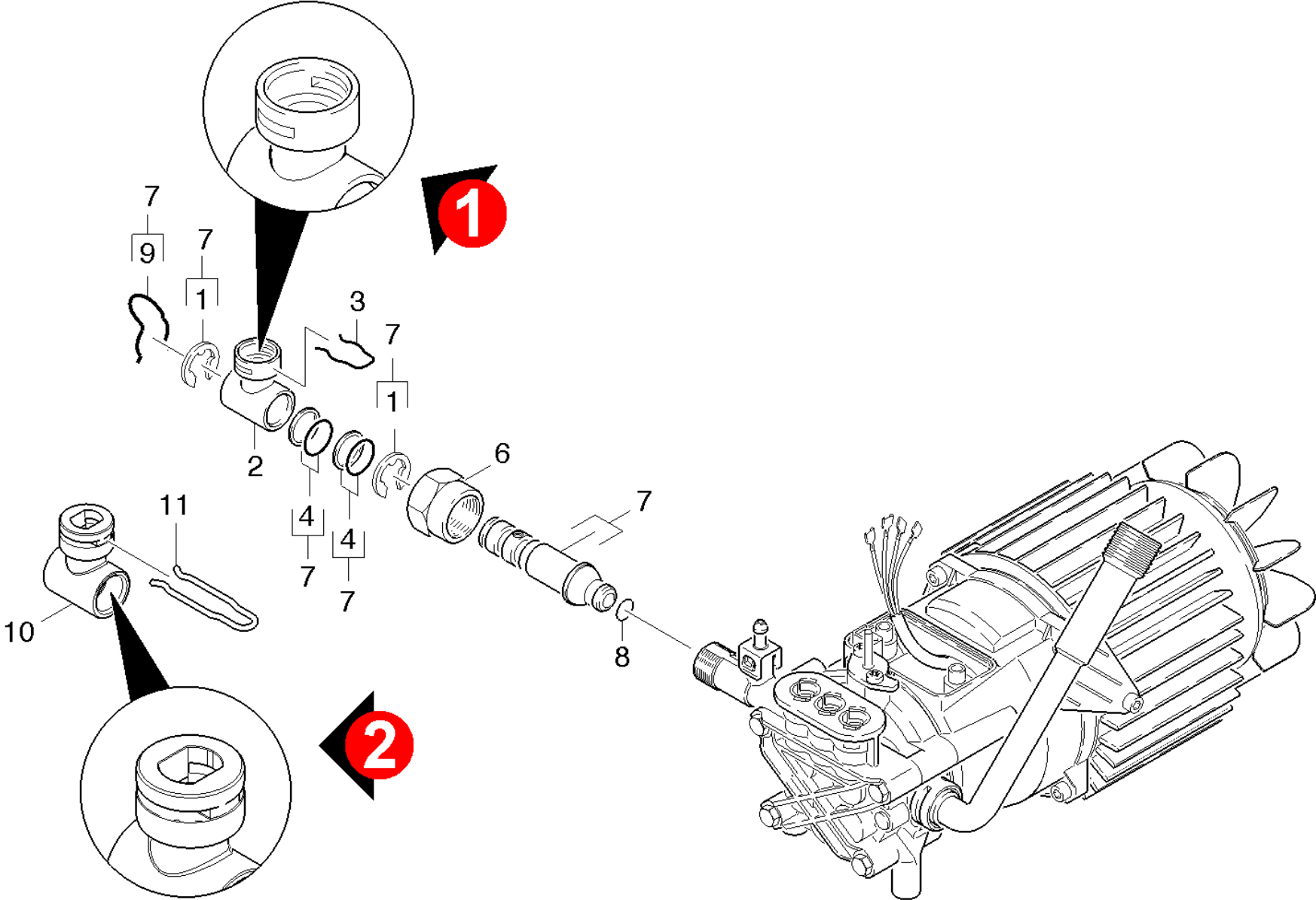
21 Cylinder head (01015690)

pos	Article no.	Description	Quantity	Selling Unit	from ser.nr.	up to ser.nr.
1	28832580	Spare part set neutrally	1.000	ST	0000000000	0000000000
2	41320100	Valve plug complete	2.000	ST	0000000000	0000000000
3	63624580	O-Ring seal 11,0x2,0-NBR 70	3.000	ST	0000000000	0000000000
4	41320110	Valve plug complete	1.000	ST	0000000000	0000000000
5	28848730	Valve (3 Stueck)	1.000	ST	0000000000	0000000000
6	40300700	Throttle complete	1.000	ST	0000000000	0000000000
7	63621760	O-Ring seal 6,07x1,78	4.000	ST	0000000000	0000000000
8	40301250	Joining piece only for replacement	1.000	ST	0000000000	0000000000
9	28848770	Valve (3 Stueck)	1.000	ST	0000000000	0000000000
10	63623840	O-Ring seal 9,0 x 1,5	2.000	ST	0000000000	0000000000
11	47690350	Nozzle insert	1.000	ST	0000000000	0000000000
12	45840220	Valve pin complete	1.000	ST	0000000000	0000000000
13	63628510	O-Ring seal 4 x 2 NBR 90	1.000	ST	0000000000	0000000000
14	55503310	Cylinder head	1.000	ST	0000000000	0000000000
15	73040980	Hexagonal head screw M8x80-8.8-A2E ISO	4.000	ST	0000000000	0000000000
16	73110030	Hexagon nut M6 -8-A2E ISO 4032	2.000	ST	0000000000	0000000000



## 22 Thrust guidance (01015700)

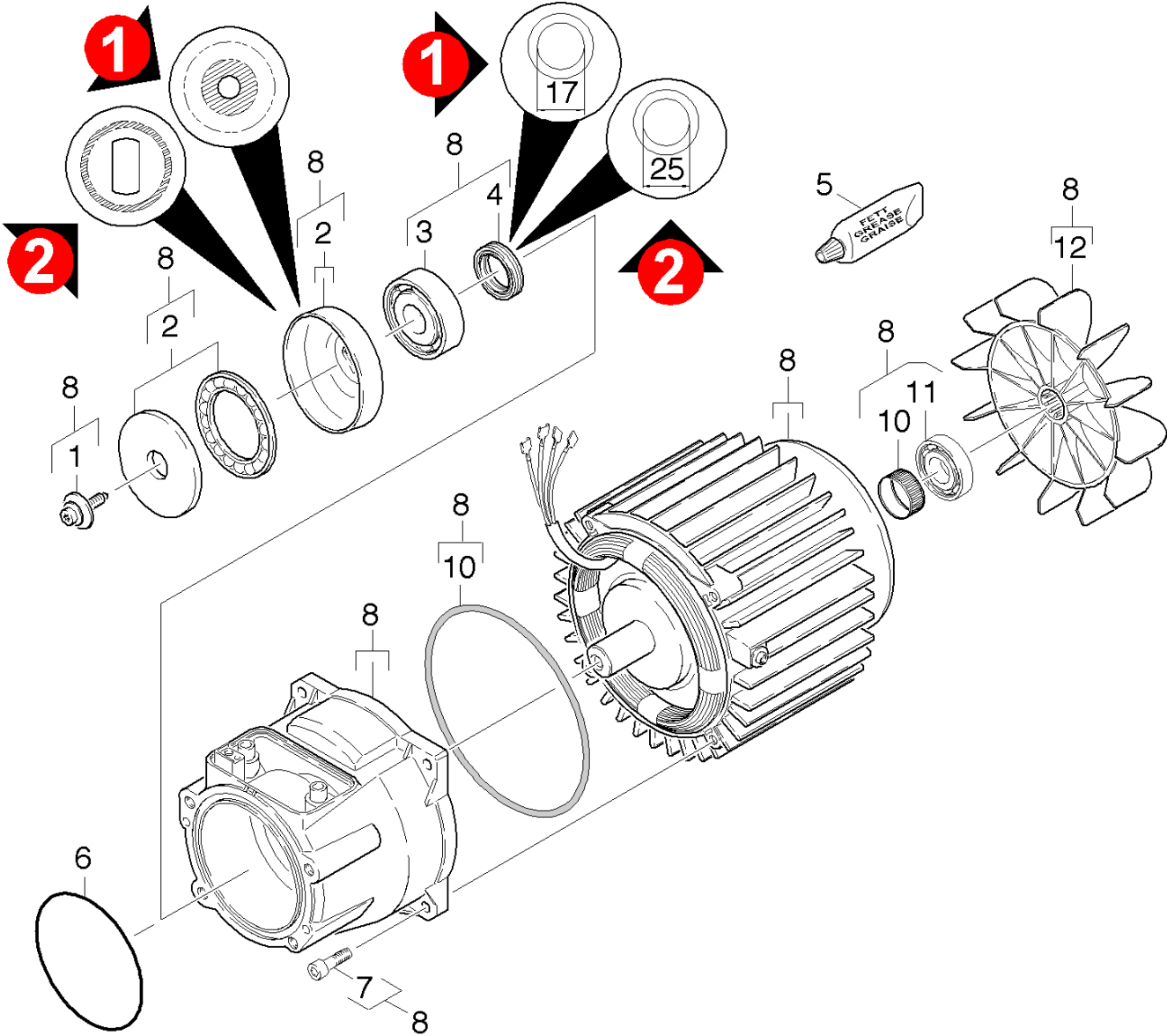
ET/VT	pos	Article no.	Description	Quantity	Selling Unit
	1	63032650	Self-tapping screw M6x20	2.000	ST
	2	50641270	Cover	1.000	ST
	4	63621690	O-Ring seal 12,0 X 2,0	1.000	ST
	5	63628520	O-Ring seal complete 3,69	1.000	ST
	6	45806680	Excess-current complete o.D. D5,3 PUR	1.000	ST
	7	63632810	O-Ring seal 12.42x1.78 -PUR 84	1.000	ST
	8	63629580	O-Ring seal 9 x 2-NBR 90	1.000	ST
	9	53323910	Pressure spring	3.000	ST
	10	45532760	Piston complete D12	3.000	ST
	11	50609430	Piston guidance	1.000	ST
	12	63653930	Oil sealing 12x20x4/6	3.000	ST
	13	51160620	Washer	3.000	ST
	14	40300690	Moulded part complete only for replaceme	1.000	ST
X-X	15	63653940	Grooved ring	3.000	ST
	16	63630380	O-Ring seal 13X3 NBR 70	1.000	ST
	17	50489150	Clamp	1.000	ST
	18	40330280	Tube water intake complete	1.000	ST
	19	57316200	Fine filter	1.000	ST
	20	51157210	Washer	3.000	ST
	21	73030370	Screw M5x10 -St-P2R (In6Rd)	1.000	ST



23 Water intake (01015820)

---

pos	Article no.	Description	Quantity	Selling Unit
1	73433060	Lock washer 12-St-A2E DIN 6799	2.000	ST
2	54012750	Rotary bushing	1.000	ST
3	50593000	Clamp	1.000	ST
4	63630270	O-Ring seal complete 1ST.-R.	2.000	ST
6	73831130	Union nut BLL-15-St-A2K DIN3870	1.000	ST
7	28848510	Spare part set hollow shaft K5	1.000	ST
8	63621510	O-Ring d. 10 x 2 NBR 70	1.000	ST
9	50594000	Clamp	1.000	ST
10	54013080	Rotary bushing	1.000	ST
11	50594010	Clamp	1.000	ST





## 30 Motor (01015830)

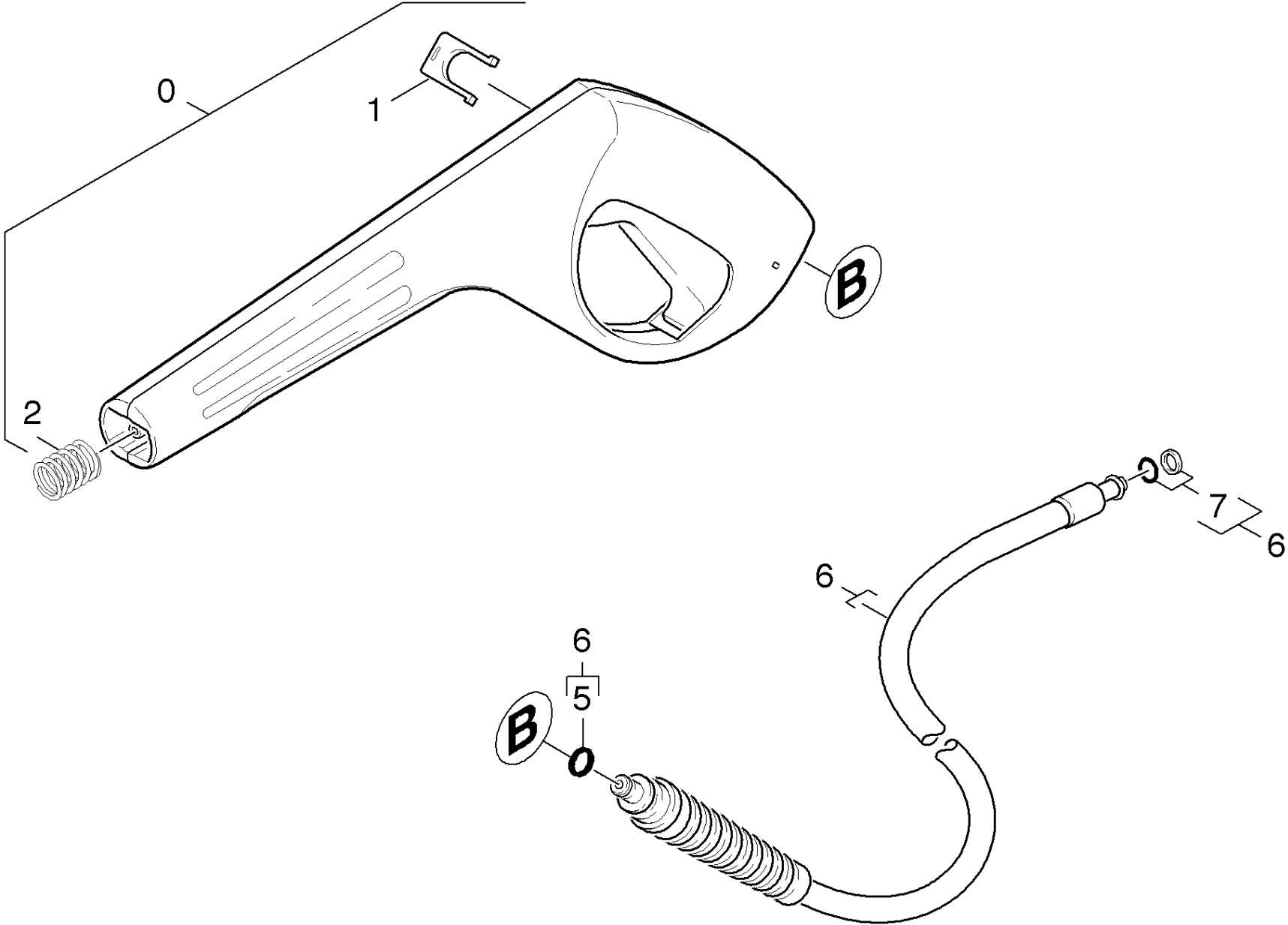
ET/VT	pos	Article no.	Description	Quantity	Selling Unit	var. information
	1	63040480	Cylinder head screw M6x19	1.000	ST	
	2	64014070	Wobble plate	1.000	ST	VERSION 1
	2	64012210	Wobble plate	1.000	ST	VERSION 2
	3	74010100	Ball bearing 6303 -St DIN 625	1.000	ST	
	4	73670020	Radial shaft seal ring A17x35x7-NBR DIN	1.000	ST	VERSION 1
	4	73670080	Radial shaft seal ring A25x35x7-NBR DIN	1.000	ST	VERSION 2
	5	69640920	Viscous oil 50ml	1.000	ST	
	6	63624710	O-Ring seal 80,0 X 3,0 -NBR 70	1.000	ST	
	7	63033200	Screw M 5x 20-St-R2R	4.000	ST	
	8	46238910	Motor complete replacement	1.000	ST	
X-X	9	63432180	Tolerance ring 15x6	1.000	ST	
	10	53634660	Joint ring	1.000	ST	
	11	74011280	Ball bearing 6202-2RS -Wälzl.St DIN 625	1.000	ST	
	12	56000770	Blower wheel	1.000	ST	

40 Accessories (01015840)

---

pos	Article no.	Description	var. information
41	01016040	Hand trigger gun	VERSION 1
42	01092430	Hand trigger gun	VERSION 2
43	01016050	Jet pipe	

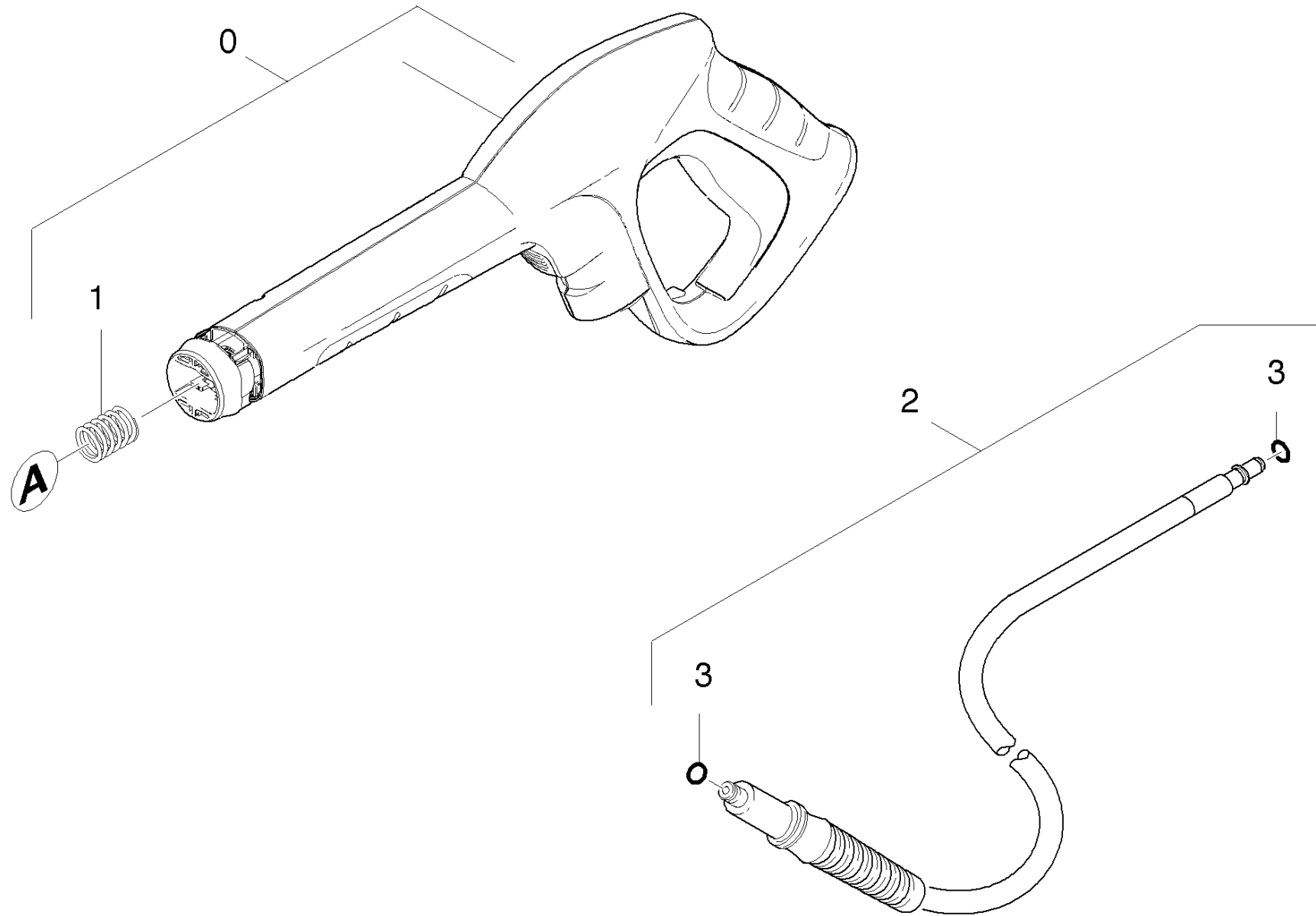
---



41 Hand trigger gun (01016040)

---

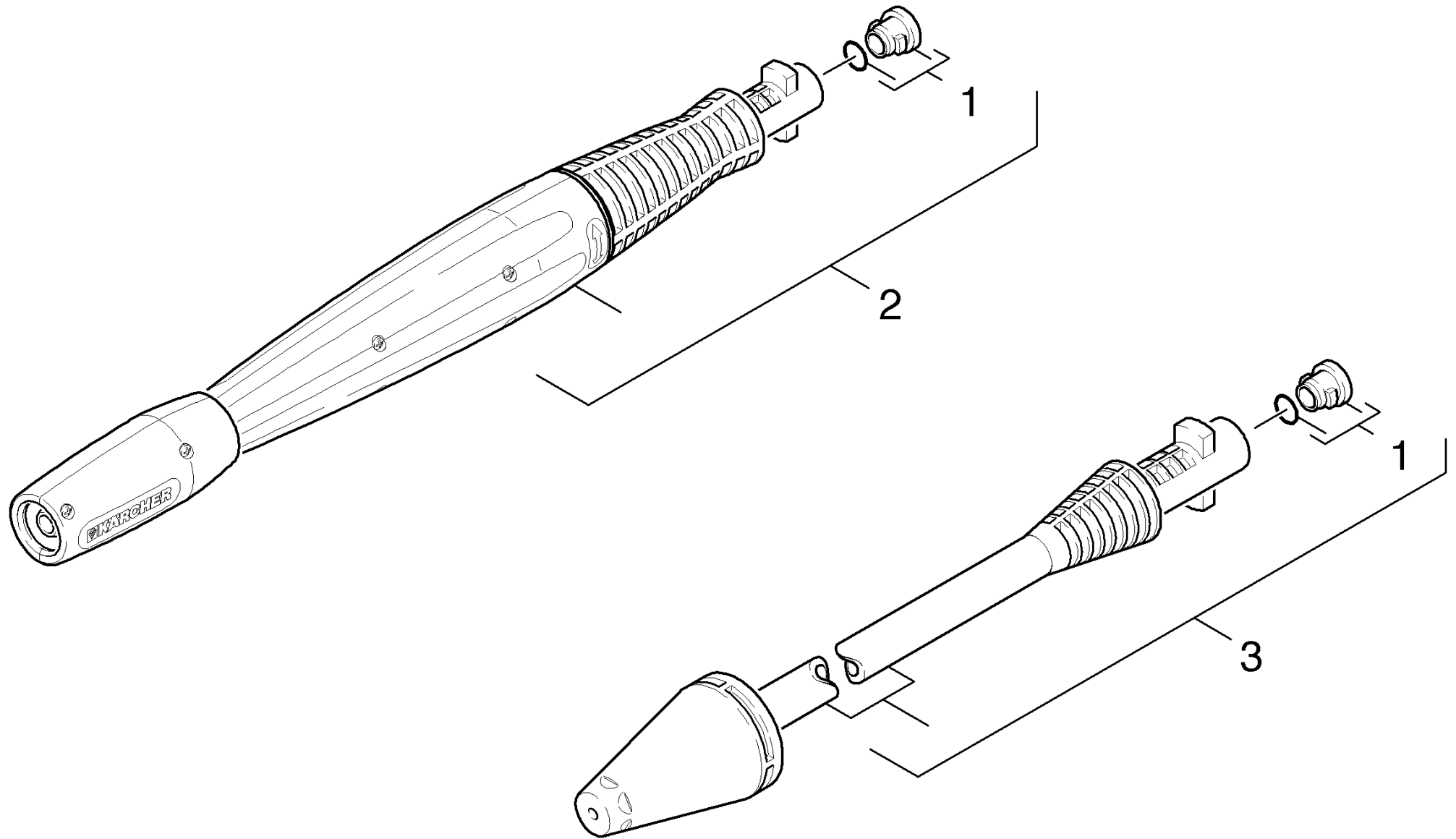
pos	Article no.	Description	Quantity	Selling Unit
0	77779990	Stockpiling discontinued	1.000	ST
1	50371400	Clamp	1.000	ST
2	53324640	Pressure spring	1.000	ST
5	63631980	O-Ring seal 6x2 90 shore PUR	1.000	ST
6	44407880	High pressure hose 12/16MPa, KAER., 60G,	1.000	ST
7	63630310	O-Ring seal complete 1ST.-R. NBR 90	1.000	ST



42 Hand trigger gun (01092430)

---

pos	Article no.	Description	Quantity	Selling Unit
0	26416100	Pistol best Ersatz verpackt	1.000	ST
1	53324640	Pressure spring	1.000	ST
2	63917940	High pressure hose 16MPa/9m 60°C	1.000	ST
3	28802960	Spare part set O-Ring seal 5x	1.000	ST



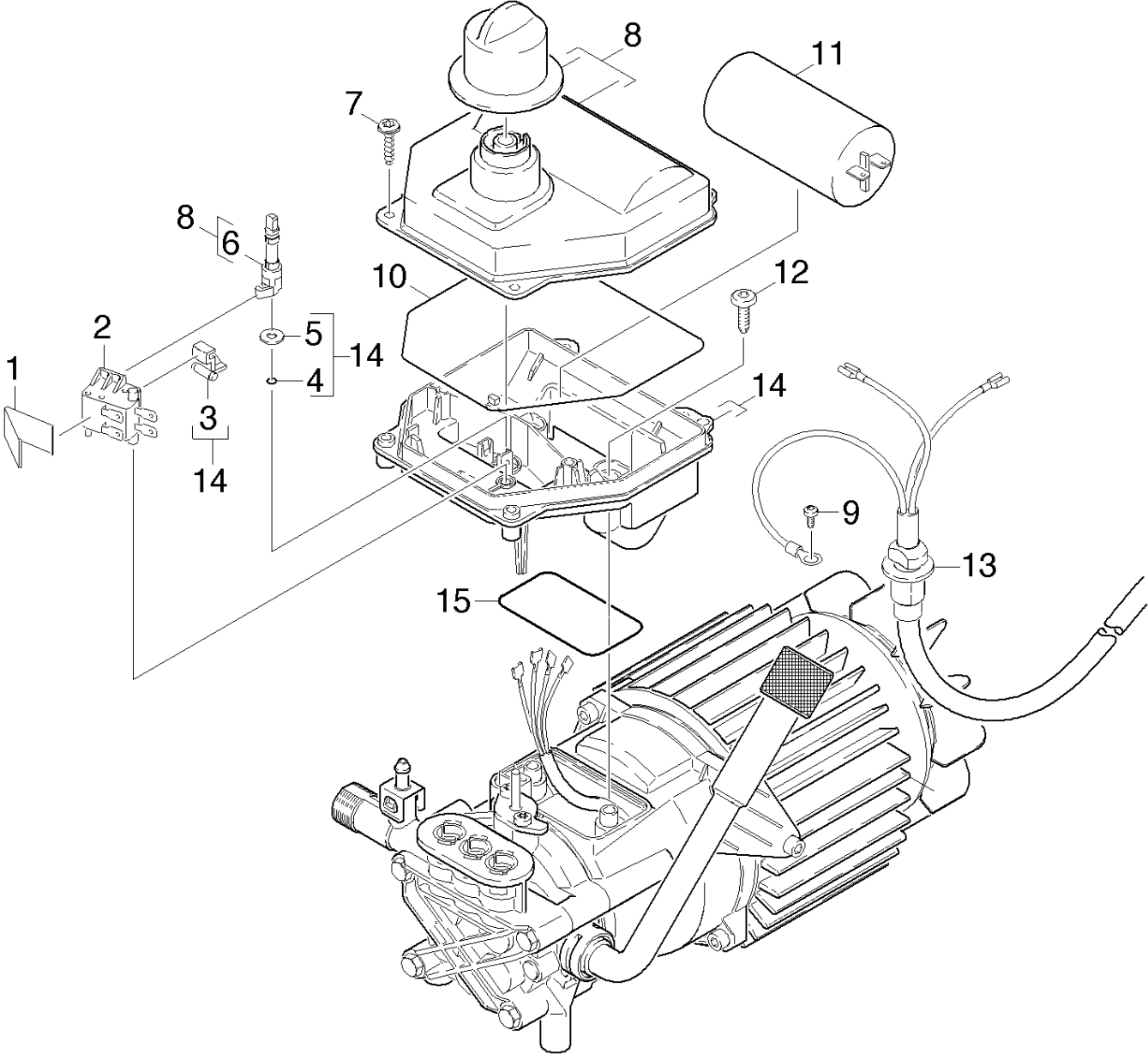
43 Jet pipe (01016050)

---

ET/VT	pos	Article no.	Description	Quantity	Selling Unit
	1	26407290	O-Ring seal set	1.000	ST
	2	47605270	VPS K5 0287	1.000	ST
X-	3	47639770	Rotor nozzle 0295 Clas.Line verpackt	1.000	ST

---



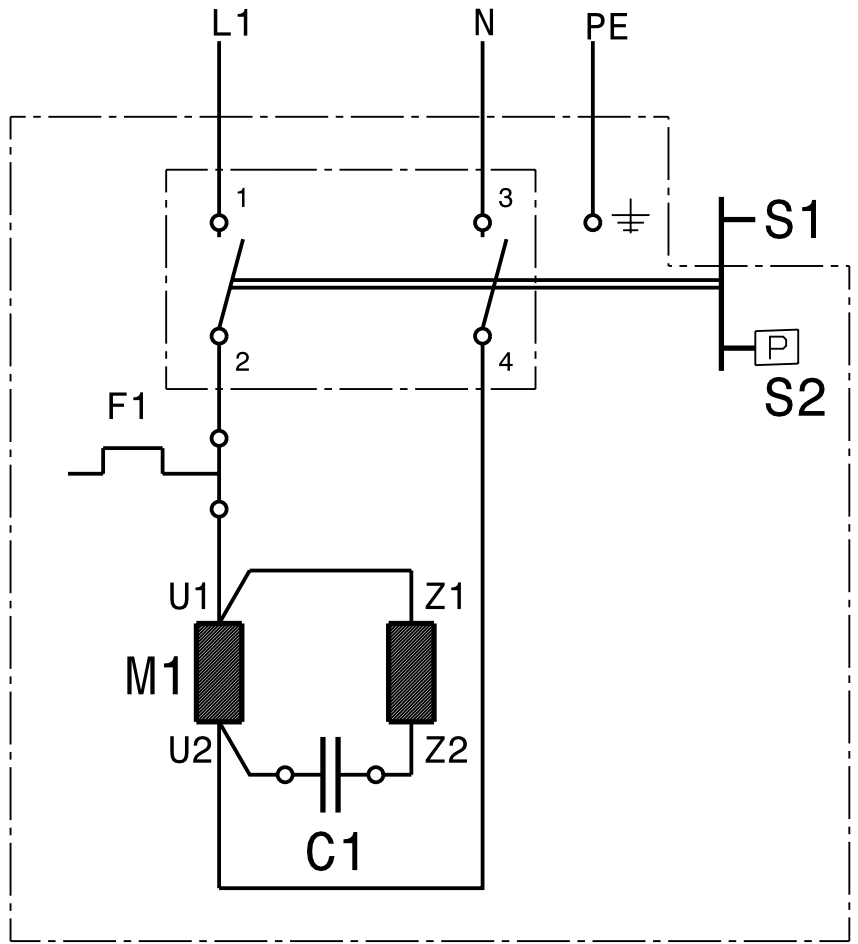


## 50 Electric box (01016140)

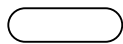
pos	Article no.	Description	Quantity	Selling Unit
1	53370270	Plate spring	1.000	ST
2	66319460	Micro switch	1.000	ST
3	40470030	Rocker switch complete	1.000	ST
4	65060190	O-Ring seal 3,68X 1,78	1.000	ST
5	51156100	Washer	1.000	ST
6	51001920	Selector shaft	1.000	ST
7	63031250	Screw 5x20-Sonder In6Rd+Spitze	4.000	ST
8	40637650	Cover electric box	1.000	ST
9	73030310	Screw M4x10 -St-P2R (In6Rd)	1.000	ST
10	62731940	Cord cellular rubber	1.000	ST
11	90850360	Capacitor 65MUF	1.000	ST
12	73030480	Screw M6x20 -St-R3R (In6Rd)	2.000	ST
13	66488330	Cable with plug triple-pole GFCI	1.000	ST
14	48008520	Electric box complete	1.000	ST
15	63628870	O-Ring seal 65,0 X 2,5	1.000	ST

Compliance with the current version of Kärcher standard KÄN 050.032 "Constituent substances" (ban of lead, cadmium, etc.) must be guaranteed. Standard date format according to ISO 8601 (YYYY-MM-DD).  
 The reproduction, distribution and utilization of this document as well as the communication of its contents to others without explicit authorization is prohibited. Offenders will be held liable for the payment of damages.  
 All rights reserved in the event of the grant of a patent, utility model or design. Copyright © Alfred Kärcher GmbH & Co. KG

230V 1~ 50Hz  
 240V 1~ 50Hz  
 100V 1~ 50Hz  
 100V 1~ 60Hz  
 120V 1~ 60Hz

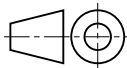



- M1 Motor/motor/moteur/motor
- C1 Betriebskondensator/capacitor/condensateur/  
condensador de servicio
- S1 Geräteschalter/switch/interrupteur/interruptor
- S2 Druckschalter/pressure switch/interrupteur a pression/  
prespstat
- F1 Thermokontakt/thermostat contact/thermo-contact/  
termostático contacto



Maße werden besonders geprüft  
especially checked dimensions

Erstmusterprüfung   
first sample examination

Werkstoff material / substance		Allgemeintoleranzen general tolerances		Projection E  dimensions in mm		Oberfläche / surface EN ISO 1302		 <b>0.087-970.0</b>		
Halbzeug semi finished product		Tolerierung / toleration		Benennung / description SLP KAER 520 M Wiring diagram KAER 520 M		Material-Nr. / material no.				
Werkstoffbez. / mat. designation <input type="checkbox"/> geprüft Schweißstechn. / welding techn. <input type="checkbox"/> checked		document		number	type	version	status	scale	sheet	of
		SLP K 520/670M-MS		5166115	SLP	00	FR	1:1	1	1
Datum date	Gezeichnet drawn by	Geprüft checked by	Normgeprüft std. checked by	Änderung / Engineering change			Ersatz für / replaces			
				index	Anzahl / count	number	Datum / date	index		
2008-03-28	AW02881	AW02881	AW03274	d	1	2020587	1995-11-23	d		
4	3	2	1							