



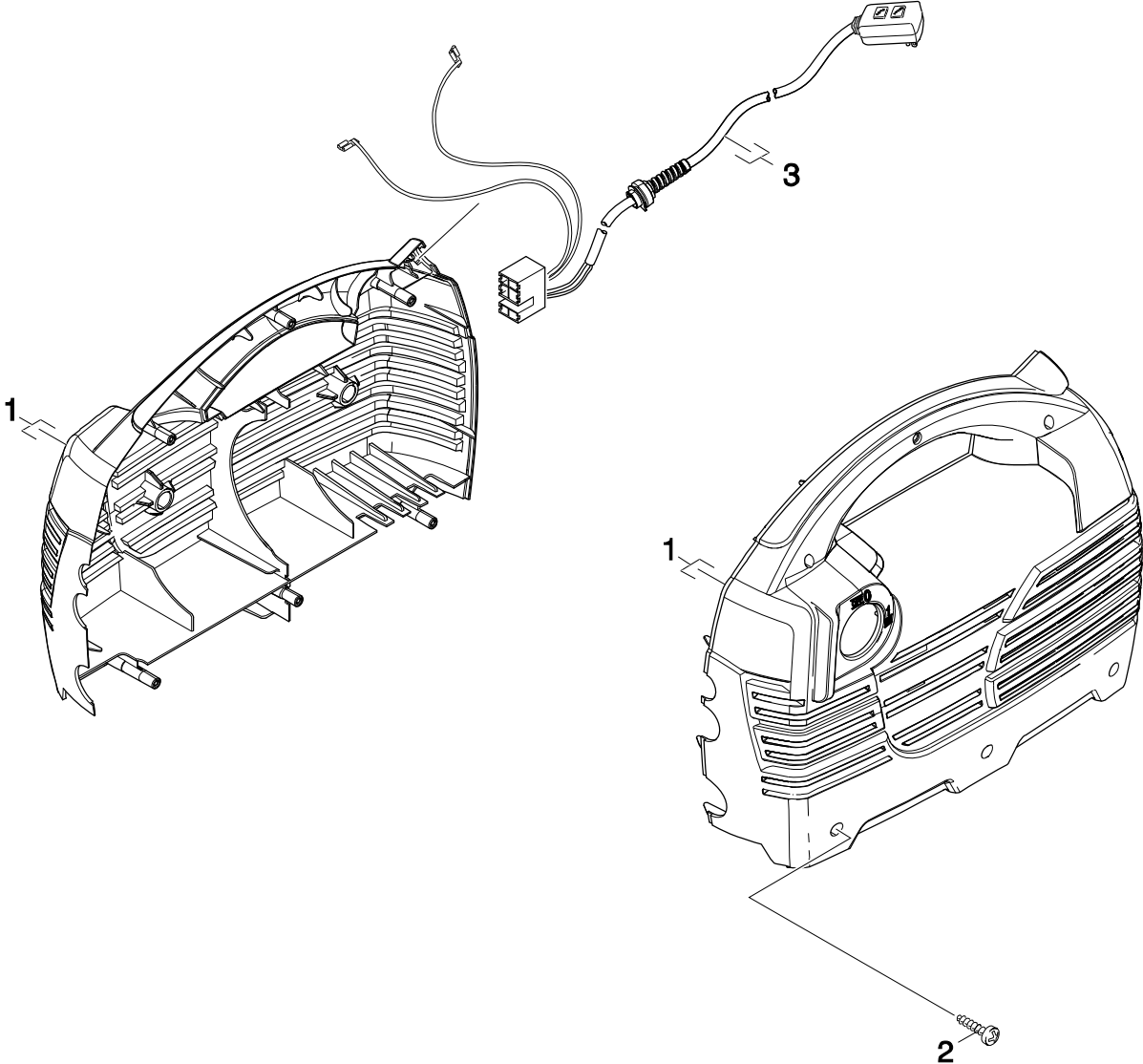
**Ersatzteilliste**  
**Spare Parts List**  
**Liste des pieces de rechange**

1.601-501.0 K 2.55

HOUSING



HOUSING



**HOUSING**

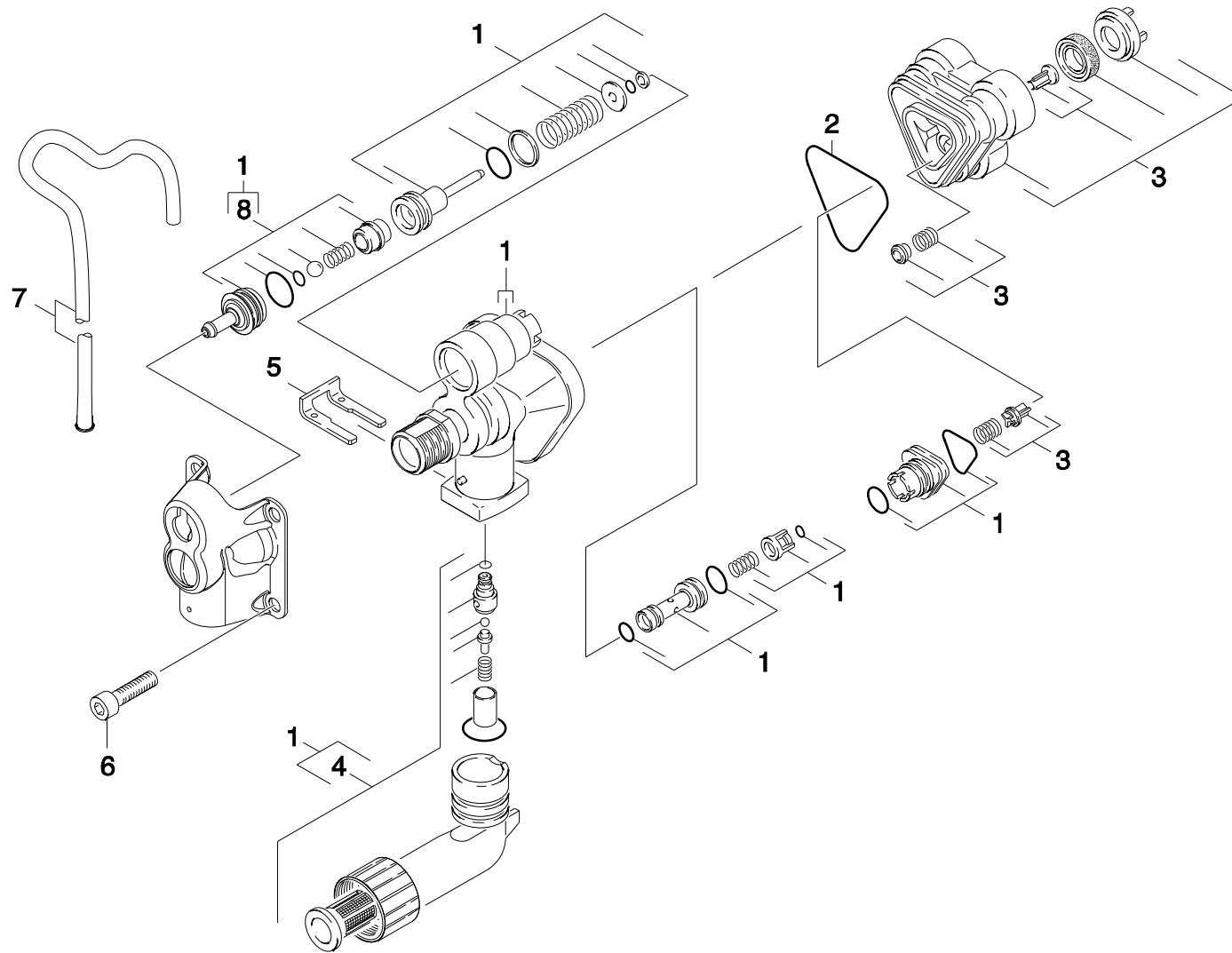
POS ITM. POS.	BENENNUNG DESCRIPTION DESIGNATION	TEILE-NR PART-NO NO. PIECE	STCK QTY. NBR	AB WERK-NR FROM SERIAL-NO TO SERIAL-NO	BIS WERK-NR
---------------------	---	----------------------------------	---------------------	---	-------------

0001	Housing cpl.	9.760-070.0	1,000		
0002	Screw	9.086-173.0	7,000		
0003	Cable cpl.	9.750-072.0	1,000		

PUMP-SET



# HOUSING

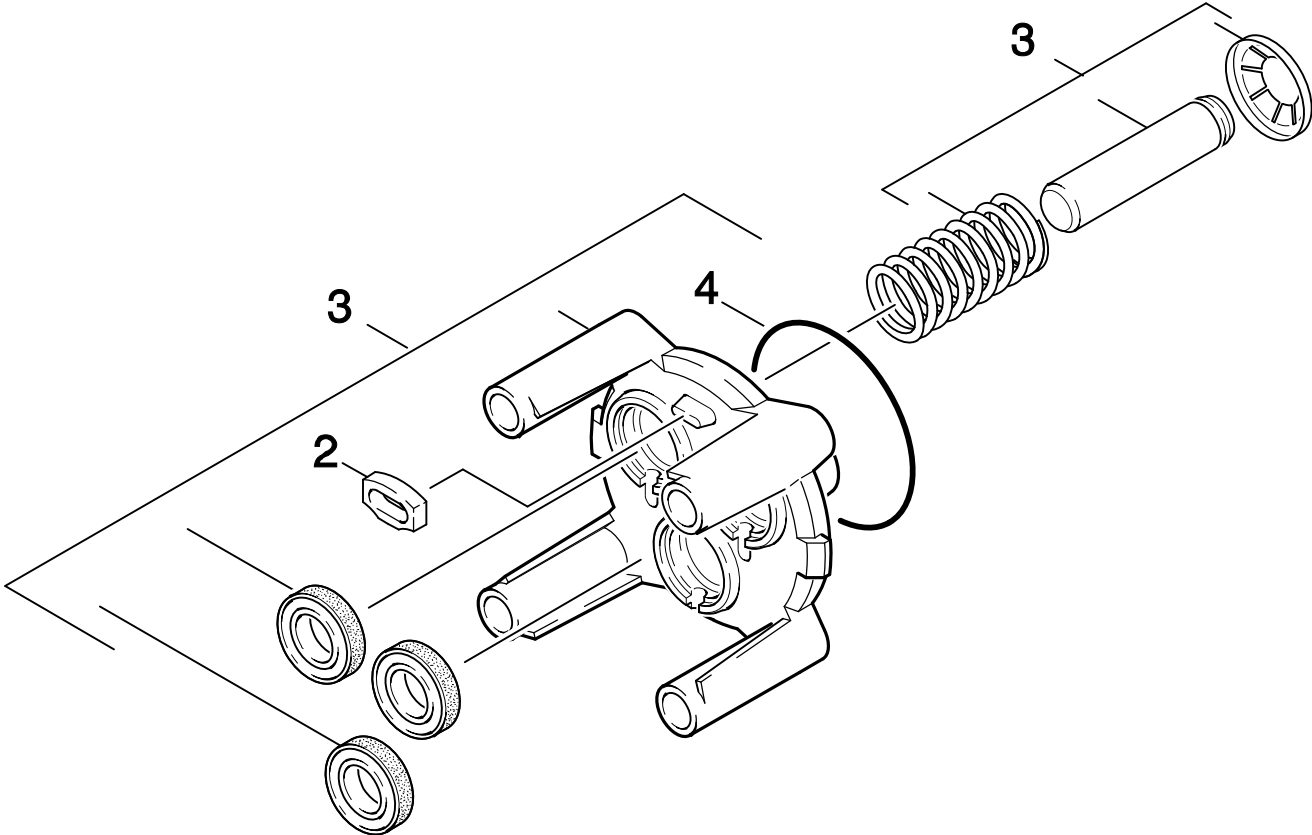


**HOUSING**

POS ITM. POS.	BENENNUNG DESCRIPTION DESIGNATION	TEILE-NR PART-NO NO. PIECE	STCK QTY. NBR	AB WERK-NR FROM SERIAL-NO TO SERIAL-NO	BIS WERK-NR
---------------------	---	----------------------------------	---------------------	---	-------------

0001	Housing replacement complete	9.750-077.0	1,000		
0002	FORM O-RING	9.081-422.0	1,000		
0003	Cylinder head complete	9.760-197.0	1,000		
0004	Suction cover	9.750-076.0	1,000		
0005	Clamp	9.039-148.0	1,000		
0006	SCREW M8x55	9.086-200.0	4,000		
0007	DETERGENT HOSE+FILTER	9.011-911.0	1,000		
0008	Nipple chemistry complete	9.750-058.0	1,000		

THRUST GUIDANCE





**THRUST GUIDANCE**

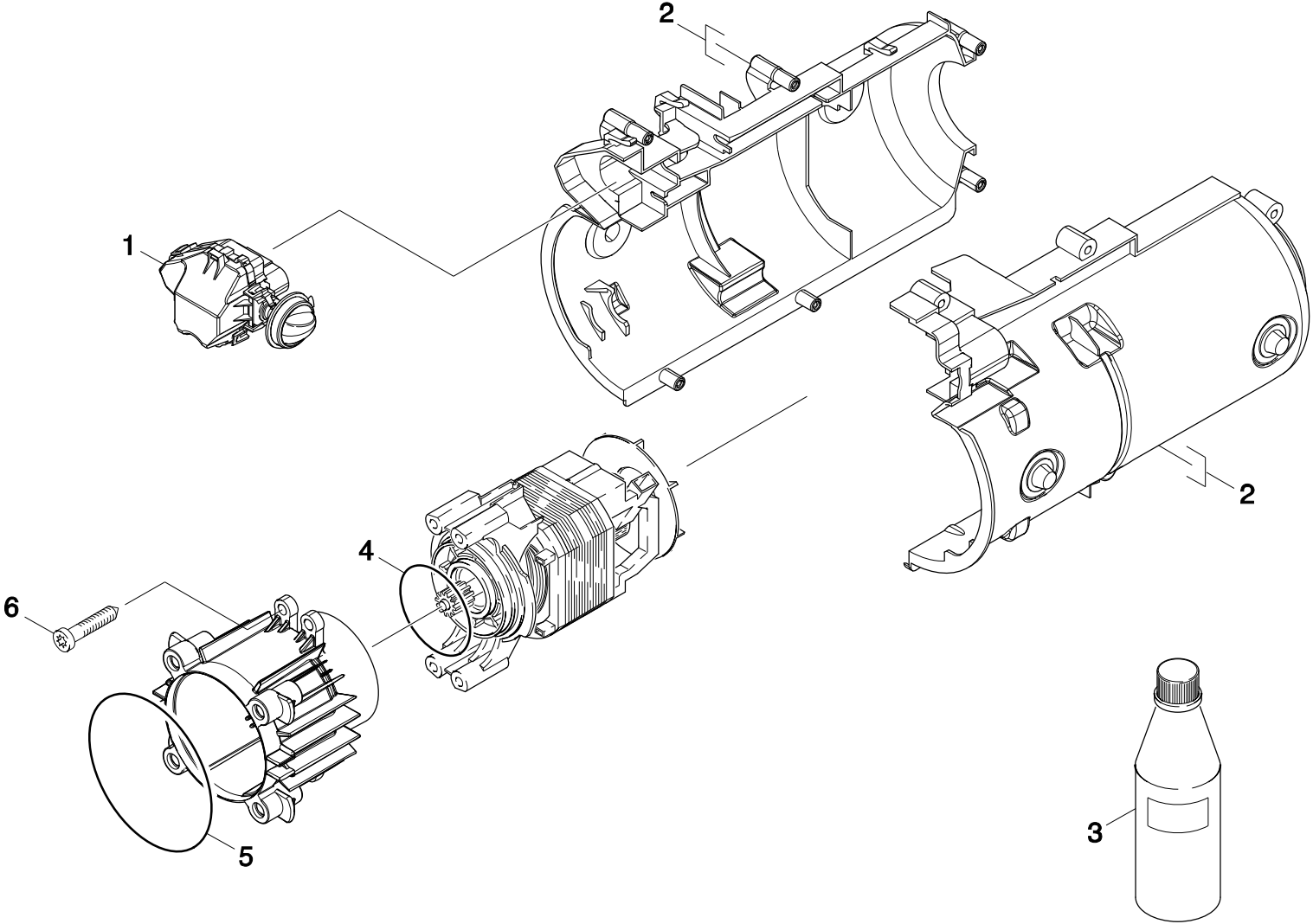
POS ITM. POS.	BENENNUNG DESCRIPTION DESIGNATION	TEILE-NR PART-NO NO. PIECE	STCK QTY. NBR	AB WERK-NR FROM SERIAL-NO TO SERIAL-NO	BIS WERK-NR
---------------------	---	----------------------------------	---------------------	---	-------------

0002	SPACER	9.048-071.0	1,000		
0003	Thrust guidance replacement complete	9.750-078.0	1,000		
0004	O RING	6.362-902.0	1,000		

MOTOR



**MOTOR**



**MOTOR**

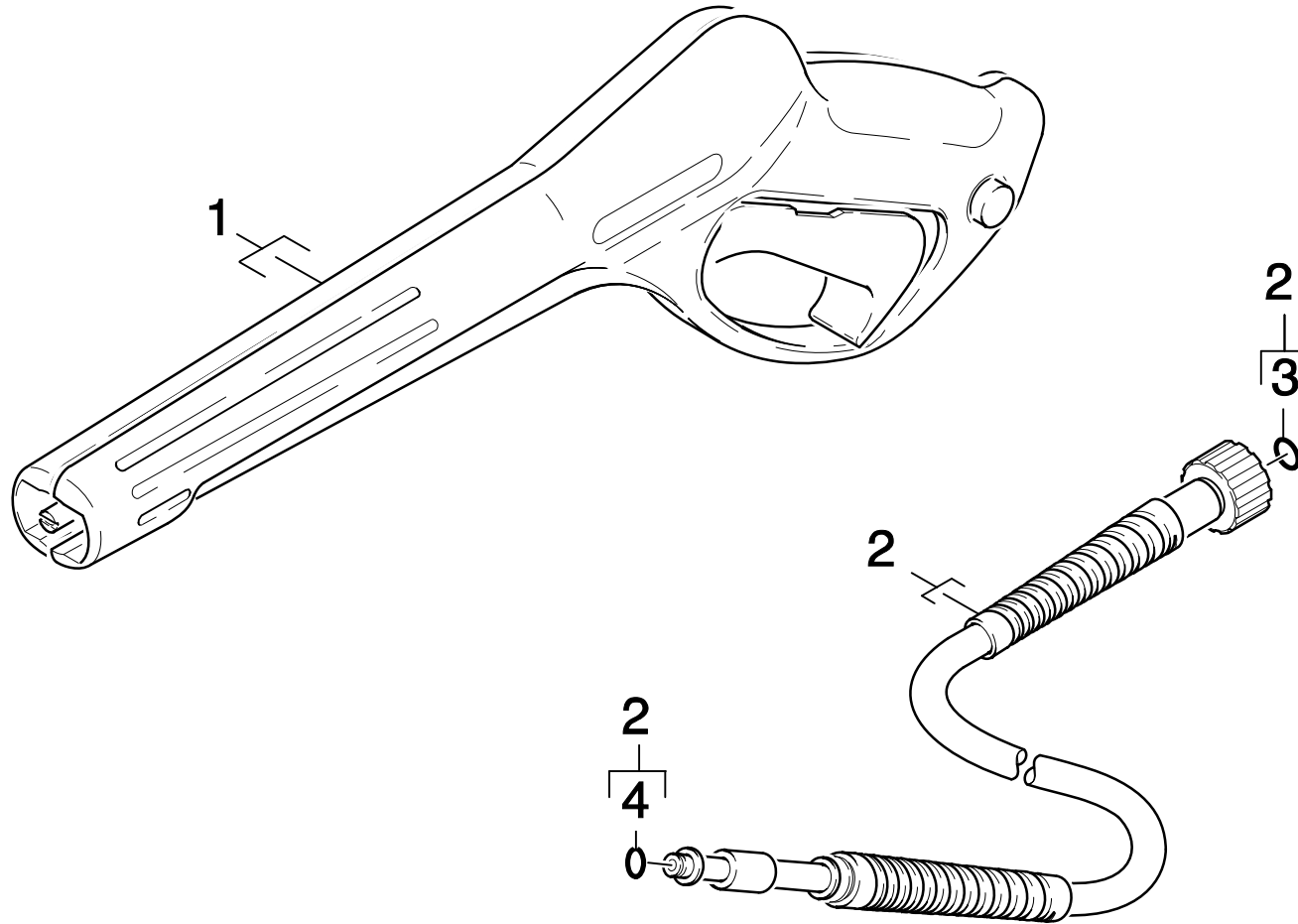
POS ITM. POS.	BENENNUNG DESCRIPTION DESIGNATION	TEILE-NR PART-NO NO. PIECE	STCK QTY. NBR	AB WERK-NR FROM SERIAL-NO TO SERIAL-NO	BIS WERK-NR
---------------------	---	----------------------------------	---------------------	---	-------------

0001	Electric box replacement complete	9.750-080.0	1,000		
0002	Housing motor replacement	9.750-079.0	1,000		
0003	Engine Oil 1 LTR	6.288-112.0	1,000		
0004	GASKET	6.362-979.0	1,000		
0005	O RING	6.362-902.0	1,000		
0006	SCREW	6.303-260.0	4,000		

**ACCESSORIES**



TRIGGER GUN

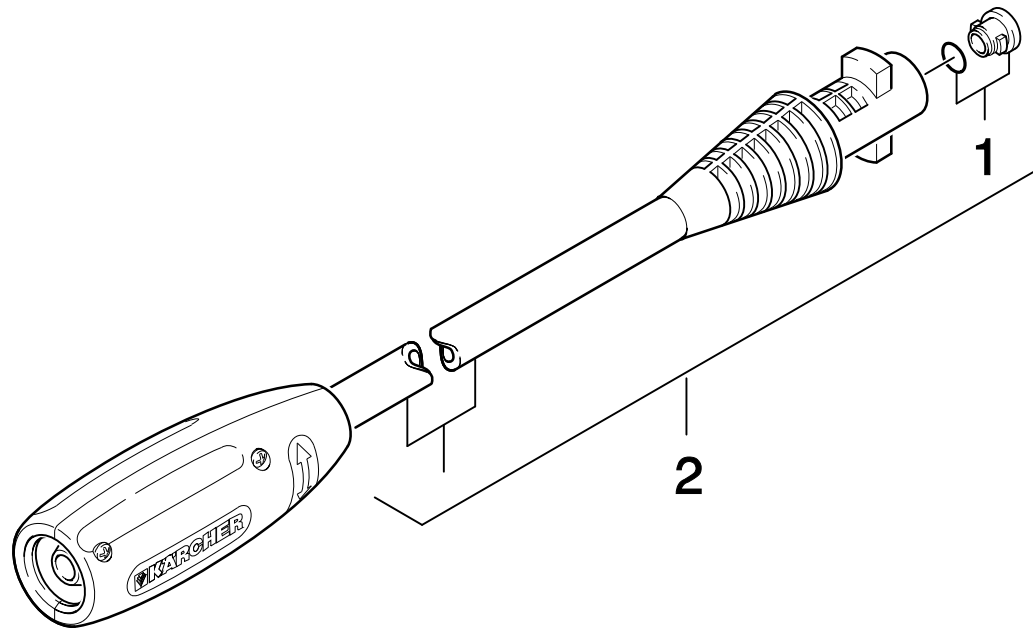


**TRIGGER GUN**

POS ITM. POS.	BENENNUNG DESCRIPTION DESIGNATION	TEILE-NR PART-NO NO. PIECE	STCK QTY. NBR	AB WERK-NR FROM SERIAL-NO TO SERIAL-NO	BIS WERK-NR
---------------------	---	----------------------------------	---------------------	---	-------------

0001	PISTOL	4.775-331.0	1,000		
0002	H P HOSE	6.390-261.0	1,000		
0003	O RING SET	2.880-154.0	1,000		
0004	Gasket	6.362-498.0	1,000		

JET-PIPE





**JET-PIPE**

POS ITM. POS.	BENENNUNG DESCRIPTION DESIGNATION	TEILE-NR PART-NO NO. PIECE	STCK QTY. NBR	AB WERK-NR FROM SERIAL-NO TO SERIAL-NO	BIS WERK-NR
---------------------	---	----------------------------------	---------------------	---	-------------

0001	GASKET	2.640-729.0	1,000		
0002	VPS K2 028 (2003)	4.760-543.0	1,000		