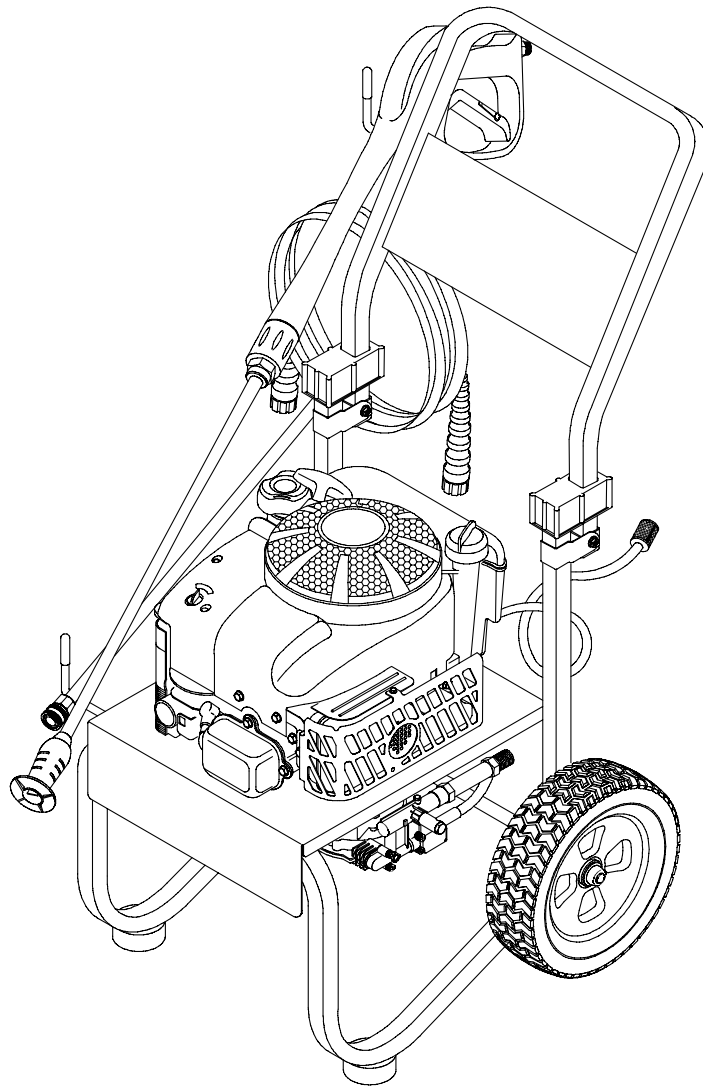




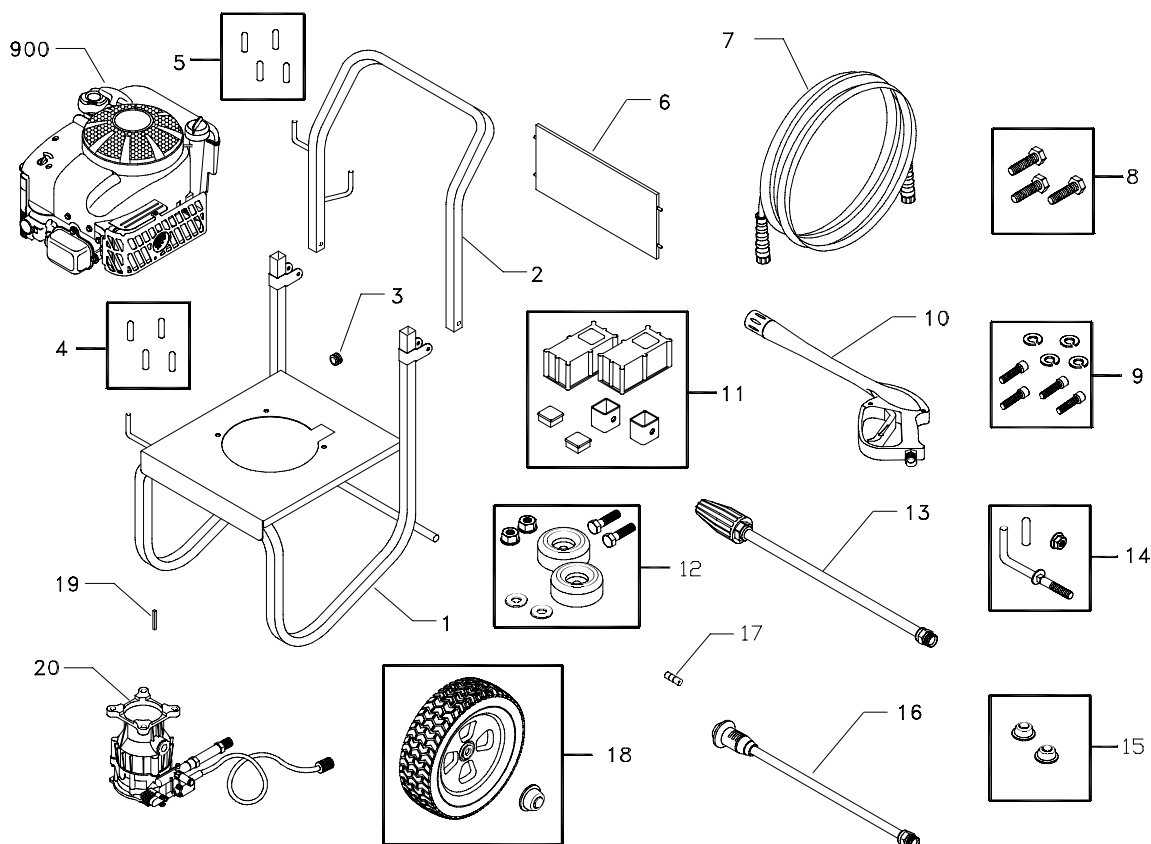
# BPW2400

## Parts List



**Model No. HPP1778-0, BPW2400**  
**IPL No. 192054GS Rev I (08/18/2003)**

# Pressure Washer



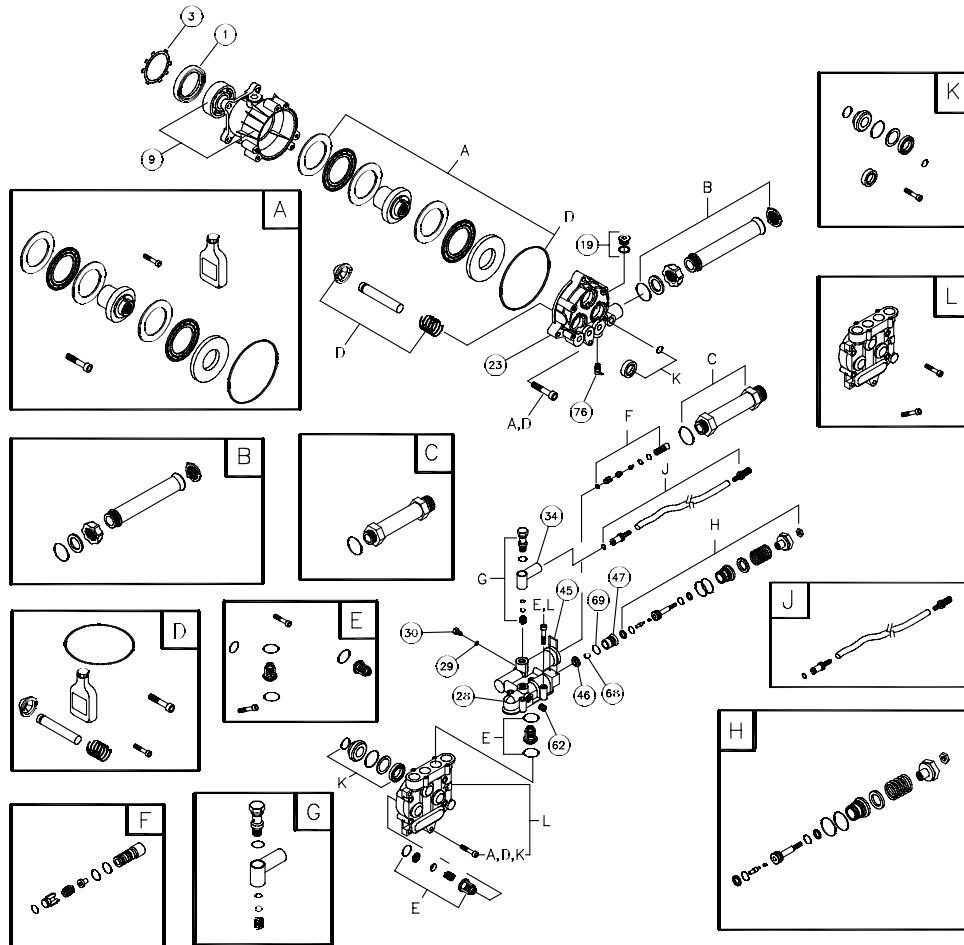
| Item | Part #    | Description                      | Item | Part #    | Description                    |
|------|-----------|----------------------------------|------|-----------|--------------------------------|
| 1    | B190283GS | BASE                             | 11   | 192140GS  | KIT, Handle Connector          |
| 2    | BB5653GS  | HANDLE                           | 12   | 192123GS  | KIT,Vibration Mount            |
| 3    | 30809GS   | GROMMET                          | 13   | 185859CGS | WAND,Turbo Nozzle              |
| 4    | 192127GS  | KIT,Vinyl Cap                    | 14   | 192128GS  | KIT, Hook                      |
| 5    | 192126GS  | KIT,Vinyl Cap                    | 15   | 192125GS  | KIT, Pushnut                   |
| 6    | B1631BGS  | BILLBOARD                        | 16   | B3335AGS  | WAND,Adjustable Nozzle         |
| 7    | 190249GS  | HOSE                             | 17   | 94804GS   | ORIFICE                        |
| 8    | 192133GS  | KIT, Engine Mounting<br>Hardware | 18   | 192124GS  | KIT,Wheel                      |
| 9    | 192131GS  | KIT, Pump Mounting<br>Hardware   | 19   | 23139DGS  | KEY                            |
| 10   | B3263GS   | GUN                              | 20   | 189942GS  | ASSY, Pump                     |
|      |           |                                  | 900  | .....     | Contact Engine<br>Manufacturer |

## Items Not Shown

| Part #    | Description         |
|-----------|---------------------|
| 191806GS  | MANUAL, Owners      |
| 192054GS  | MANUAL, Parts List  |
| MS6600    | MANUAL, Engine      |
| 192137GS  | KIT, Decals         |
| 191922GS  | KIT, Maintenance    |
| 192014GS  | HOSE, Fitting       |
| 87815GS   | GOGGLES             |
| BB3061BGS | BOTTLE, Oil, Engine |
| 190585GS  | BOTTLE, Oil, Pump   |

**Kits include all parts shown in frames.**

# Pump



| Item | Part #   | Description              | Item | Part #   | Description               |
|------|----------|--------------------------|------|----------|---------------------------|
| 1    | 190568GS | SEAL                     | 76   | 21783GS  | THERMAL RELIEF            |
| 3    | 190569GS | RETAINER RING            | 77   | 190585GS | OIL BOTTLE                |
| 9    | 190570GS | ENGINE ADAPTER & BEARING | A    | 190587GS | KIT,WOBBLE PLATE BEARING  |
| 19   | 190571GS | CAP, Oil                 | B    | 190588GS | KIT,WATER INLET, ANODIZED |
| 23   | 190573GS | PISTON HOUSING           | C    | 190589GS | KIT, OUTLET,ANODIZED      |
| 28   | 190574GS | MANIFOLD                 | D    | 190590GS | KIT, PISTON               |
| 29   | 190575GS | O-RING                   | E    | 190591GS | KIT, CHECK VALVES         |
| 30   | 190576GS | SCREW,Venturi            | F    | 190592GS | KIT, INLET CHECK          |
| 34   | 190577GS | CONNECTION, Chem Inlet   | G    | 190593GS | KIT,CHEMICAL INJECTION    |
| 45   | 190578GS | PIN                      | H    | 190594GS | KIT, UNLOADER             |
| 46   | 190579GS | VALVE, Seat Plate Brass  | J    | 189971GS | KIT, CHEMICAL HOSE        |
| 47   | 190580GS | VALVE, Seat Stainless    | K    | 190595GS | KIT, SEAL SET             |
| 62   | 190581GS | CAP                      | L    | 190596GS | KIT, HEAD BRASS           |
| 68   | 190582GS | BALL, SS                 |      |          |                           |
| 69   | 190584GS | O-RING                   |      |          |                           |