



## *Illustrated Parts List*



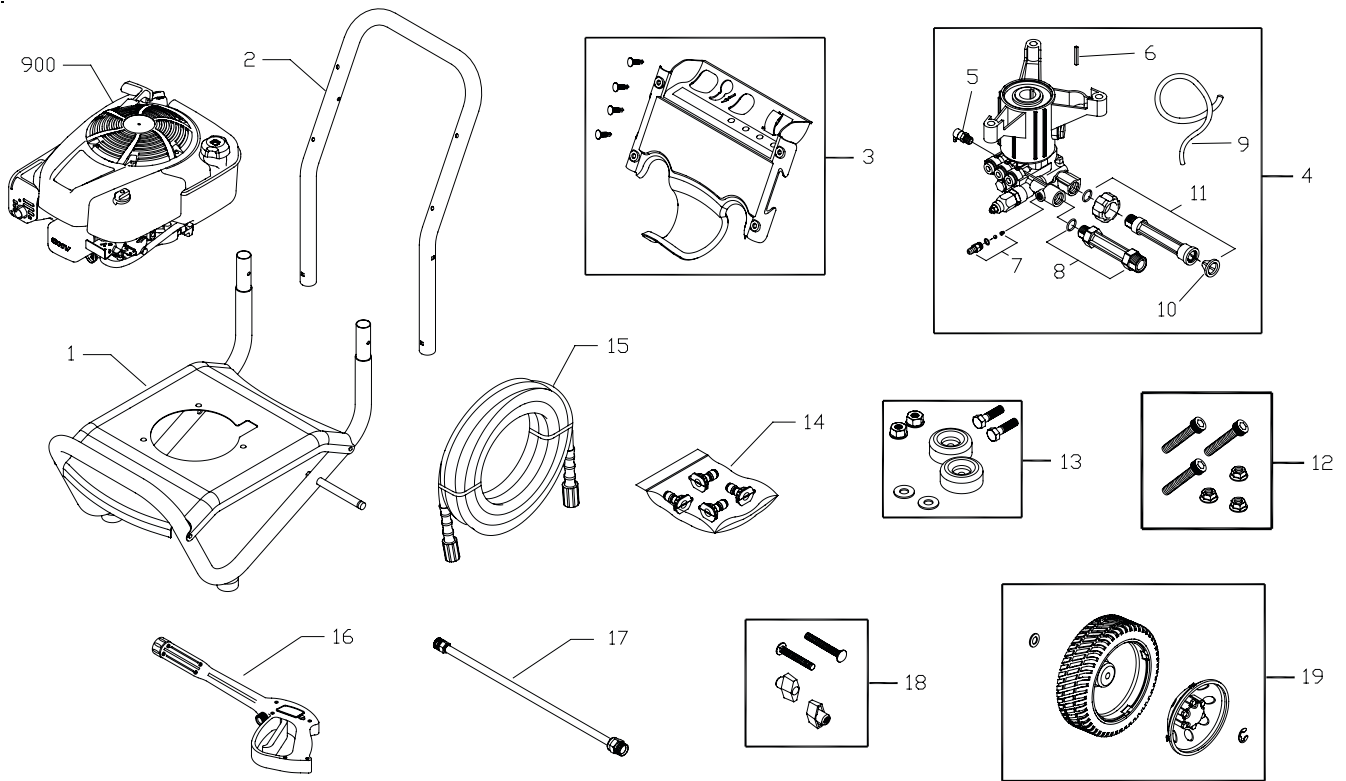
Questions? Help is just a moment away!  
Call: Pressure Washer Helpline  
1-800-743-4115 M-F 8-5 CT

This pressure washer is rated in accordance to the Pressure Washer Manufacture Association (PWMA) standard PW101 (Testing and Rating Performance of Pressure Washers).

**Briggs & Stratton Power Products group, LLC**  
**Jefferson, Wisconsin, U.S.A.**

Model No. 020417-0 2700 PSI Pressure Washer IPL No. 311743 Revision - (11/17/2009)

# Exploded View and Parts List



Item	Part #	Description
1	209570GS	BASE
	205413GS	AXLE
2	J199110GS	HANDLE
3	310924GS	BILLBOARD
	B1797GS	CLIPS
4	311553GS	PUMP
5	208673GS	VALVE-THERMAL RELIEF
6	23139GS	KEY
7	192914GS	KIT-CHEMICAL INJ
8	201497GS	FITTING
9	310975GS	HOSE-CHEMICAL
10	B2384GS	FILTER-GARDEN HOSE
11	201496GS	KIT-WATER INLET
12	203526GS	KIT-HARDWARE PUMP MOUNTING
13	192310GS	MOUNT-VIBRATION
14	204971GS	KIT-QC NOZZLES
	198841GS	NOZZLE-QC BLACK
	195983AKGS	NOZZLE-QC YELLOW
	195983AMGS	NOZZLE-QC WHITE
	195983AJGS	NOZZLE-QC RED
15	196138GS	HOSE

Item	Part #	Description
16	204627GS	GUN
17	200595GS	EXTENSION-QC
18	B2203GS	KIT-HARDWARE HANDLE
19	209568GS	KIT-WHEEL
	192050GS	E-RING
	200520GS	HUBCAP
900	§	ENGINE

### Items Not Illustrated

310909GS	MANUAL-OPERATOR'S
194256GS	TAG-WARNING
208538GS	DECAL-SPARK
310968GS	DECAL-SHROUD
BB3061BGS	OIL

### Optional Accessories

6048	O-RING MAINTENANCE
6039	PUMP SAVER

§ - Contact Engine Manufacturer