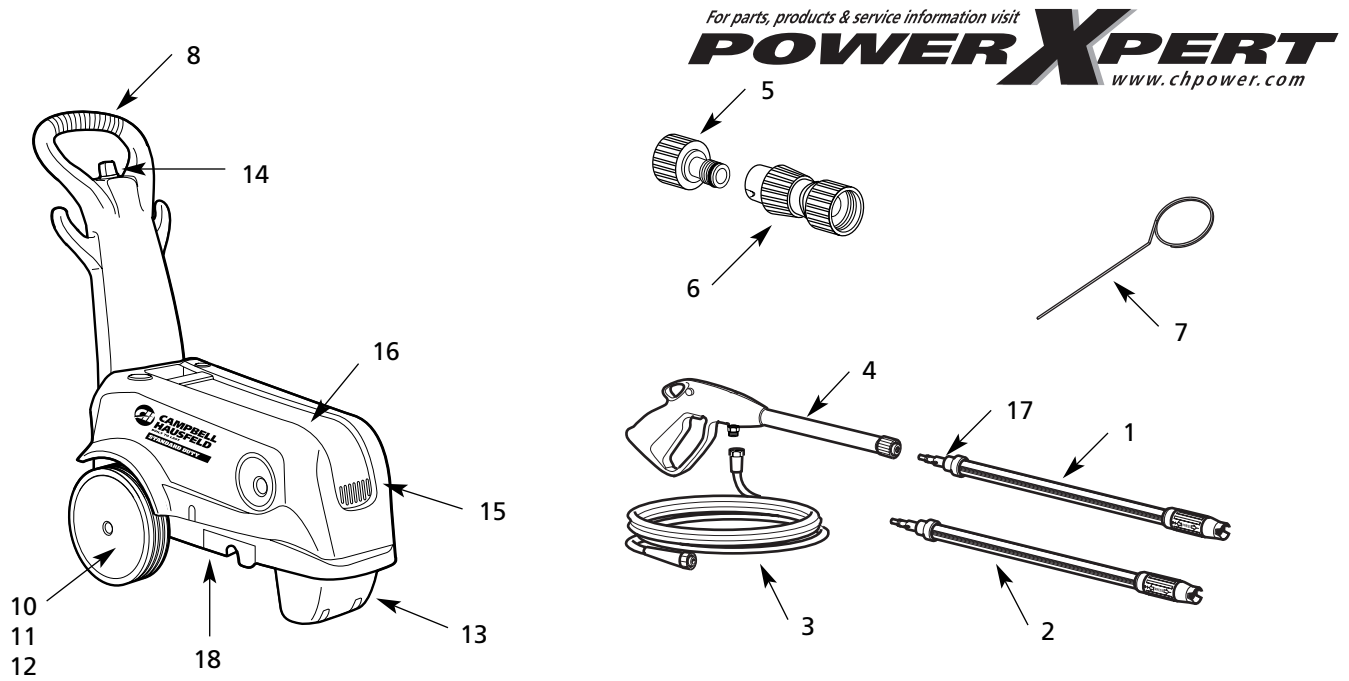


Replacement Parts List

Model PW1676



For Replacement Parts, Call 1-800-330-0712

Please provide following information:

- Model number
- Serial number (if any)
- Part description and number as shown in parts list

Address parts correspondence to:

Campbell Group/Parts Department
100 Production Drive
Harrison, OH 45030

Ref. No.	Description	Part Number	Qty.
1	Adjustable lance 1.05 Hi-Lo	PM002951AV	1
2	Turbo lance 1.05	PM002961AV	1
3	Hose	PM012902AV	1
4	Gun	PM037201AV	1
5	Nipple adapter	PM022100AV	1
6	Quick connect fitting	PM020600SV	1
7	Tip cleaner	PM008500AV	1
8	Detergent tank	PM059000SV	1
9	Hardware pack (not shown)	PM062200SV	1
10	Axle	PM062400SV	1
11	Wheels	PM059100SV	2
12	Wheel covers	PM059200SV	2
13	Front foot	PM059400AV	1
14	Cap, detergent tank	PM060000SV	1
15	Top cover	PM059500SV	1
16	Center cover	PM059600SV	1
17	O-ring	PM232200SV	1
18	Base	PM237800SV	1