



Illustrated Parts List



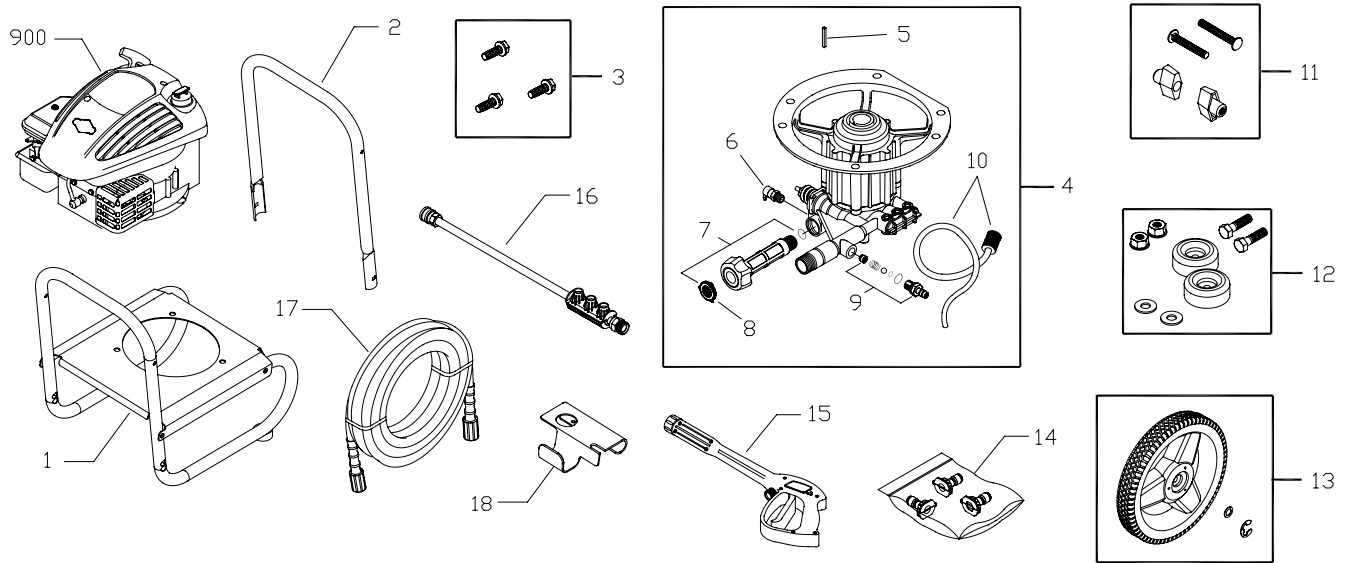
Questions? Help is just a moment away!
Call: Pressure Washer Helpline
1-800-743-4115 M-F 8-5 CT

This pressure washer is rated in accordance to the Pressure Washer Manufacture Association (PWMA) standard PW101 (Testing and Rating Performance of Pressure Washers).

Briggs & Stratton Power Products group, LLC
Jefferson, Wisconsin, U.S.A.

Model No. 020439-0 2200 PSI Pressure Washer IPL No. 312478 Revision - (02/01/2010)

Exploded View and Parts List



Item	Part #	Description
1	311997GS	BASE
2	206781BSGS	HANDLE
3	192133GS	KIT-HRDWR, ENGINE MOUNTING
4	206383GS	PUMP
5	23139GS	KEY
6	208673GS	VALVE-THERMAL RELIEF
7	200278GS	KIT-WATER INLET
8	B2384GS	FILTER-GARDEN HOSE
9	200279GS	KIT-CHEMICAL INJ
10	189971GS	KIT-CHEMICAL HOSE
11	B2203GS	KIT-HARDWARE, HANDLE
12	192310GS	MOUNT-VIBRATION
13	208619GS	KIT-WHEEL
	192050GS	E-RING
14	207977GS	KIT-QC NOZZLES
	198841GS	NOZZLE-QC BLACK
	195983AEGS	NOZZLE-QC RED
	195983AGGS	NOZZLE-QC GREEN
15	204627GS	GUN

Item	Part #	Description
16	207790GS	EXTENSION-QC
17	196006GS	HOSE
18	206813GS	HOLDER-ACC
900	§	ENGINE

Items Not Illustrated

311578GS	MANUAL-OPERATOR'S
BB3061BGS	OIL
B1797GS	CLIP
794693	LABEL-WARNING
311582GS	DECAL-Unit
793973	SHROUD/LABEL ASSY
311579GS	DECAL-Shroud
208410GS	AXLE
195015GS	TAG-WARNING

Optional Accessories

6048	O-RING MAINTENANCE
6039	PUMP SAVER

§ - Contact Engine Manufacturer

Copyright © 2010 Briggs & Stratton Power Products Group, LLC. All rights reserved. No part of this material may be reproduced or transmitted in any form without the express written permission of Briggs & Stratton Power Products Group, LLC.