



Illustrated Parts List



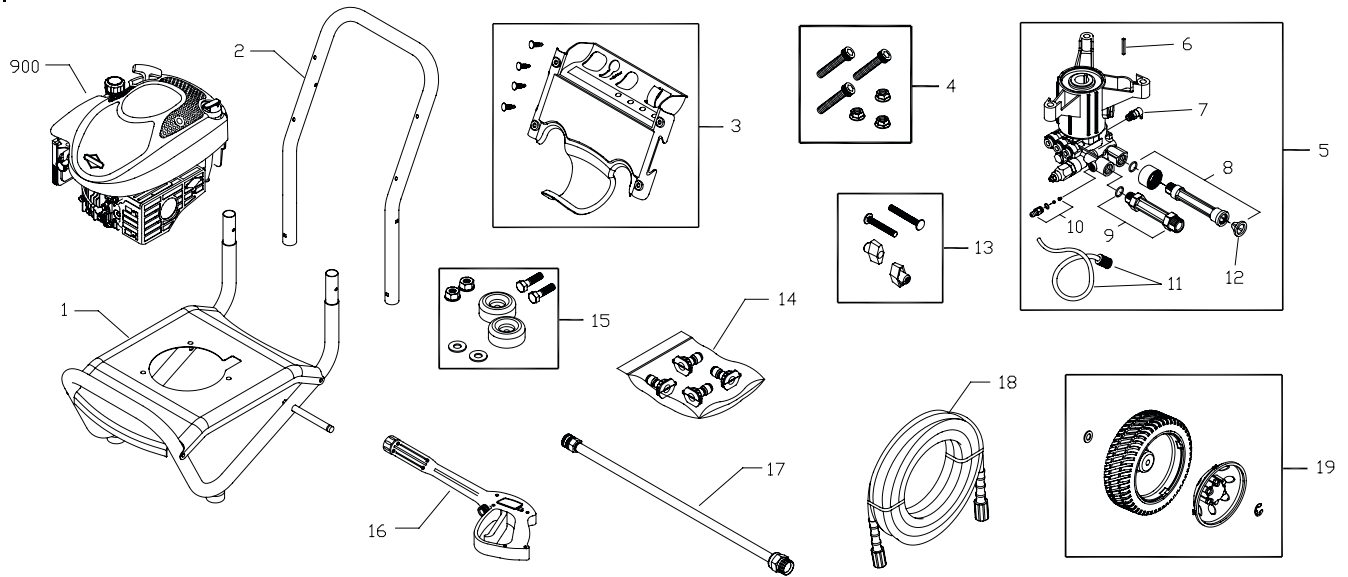
Questions? Help is just a moment away!
Call: Pressure Washer Helpline
1-800-743-4115 M-F 8-5 CT

This pressure washer is rated in accordance to the Pressure Washer Manufacture Association (PWMA) standard PW101 (Testing and Rating Performance of Pressure Washers).

Briggs & Stratton Power Products group, LLC
Jefferson, Wisconsin, U.S.A.

Model No. 020420-0 2500 PSI Pressure Washer IPL No. 311621 Revision - (11/17/2009)

Exploded View and Parts List



Item	Part #	Description
1	209570GS	BASE
	205413GS	AXLE
2	J199110GS	HANDLE
3	310924GS	BILLBOARD
	B1797GS	CLIPS
4	203526GS	KIT-HARDWARE PUMP MOUNTING
5	202274GS	PUMP
6	23139GS	KEY
7	208673GS	VALVE-THERMAL RELIEF
8	201496GS	KIT-WATER INLET
9	201497GS	FITTING
10	192914GS	KIT-CHEMICAL INJ
11	189971GS	KIT-CHEMICAL HOSE
12	B2384GS	FILTER-GARDEN HOSE
13	B2203GS	KIT-HARDWARE HANDLE
14	204971GS	KIT-QC NOZZLES
	198841GS	NOZZLE-QC BLACK
	195983AEGS	NOZZLE-QC RED
	195983RGS	NOZZLE-QC WHITE
	195983XGS	NOZZLE-QC YELLOW
15	192310GS	MOUNT-VIBRATION

Item	Part #	Description
16	204627GS	GUN
17	200595GS	EXTENSION-QC
18	196138GS	HOSE
20	209568GS	KIT-WHEEL
	200520GS	HUBCAP
	192050GS	E-RING
900	§	ENGINE

Items Not Illustrated

310921GS	MANUAL-OPERATOR'S
794693	LABEL-WARNING
793191	COVER-STATIC LABEL
209144GS	DECAL-Shroud
BB3061BGS	OIL
194256GS	TAG-WARNING

Optional Accessories

6048	O-RING MAINTENANCE
6039	PUMP SAVER

§ - Contact Engine Manufacturer

Copyright © 2009 Briggs & Stratton Power Products Group, LLC. All rights reserved. No part of this material may be reproduced or transmitted in any form without the express written permission of Briggs & Stratton Power Products Group, LLC.