


# 2300 PSI BLUEMAXX HIGH PRESSURE WASHER

## Electric Pressure Washer

### ASSEMBLY, CARE AND USE INSTRUCTIONS Model BMXP32300

READ CAREFULLY

**IMPORTANT:** RETAIN THESE INSTRUCTIONS  
AND ATTACH RECEIPT TO MANUAL FOR FUTURE  
REFERENCE.

 **WARNING:** This product can expose you to  
chemicals including lead, DEHP, DINP, which is  
known to the State of California to cause cancer  
and or lead to birth defects. For more information  
go to [www.P65Warnings.ca.gov](http://www.P65Warnings.ca.gov)



---

#### Questions, problems, missing parts?

Before returning to your retailer, call (1-866-235-5112) or email ([info@arnorthamerica.com](mailto:info@arnorthamerica.com)) our customer service department. They are available from 8:00 a.m. - 5:00 p.m., CST, Monday - Friday. [www.arblueclean.com](http://www.arblueclean.com)

# THANK YOU LETTER

Dear Valued Customer,

We wanted to thank you on behalf of AR BLUE MAXX for purchasing this **AR BLUE MAXX electric pressure washer**. We created this pressure washer from listening to our customers for the past **10** years on how they use their pressure washer for all kinds of cleaning projects.

We are excited to tell you that this pressure washer has a 2-year warranty: First year of the warranty completely covers anything that may happen to it during this time. The second year of the warranty only covers manufacturer defects. If you have any concerns or questions, please contact us at **866-235-5112** or **ARBLUECLEAN.COM** where you can email or chat with us. Our friendly customer service team based here in Fridley, MN can help you with just about anything.

Lastly we would like to ask a favor, please take a moment to review this pressure washer from the place you purchased it. We look forward to reading your comments.

Thank you and happy cleaning!

AR Blue Clean Team



A.R. North America Inc.

140 81st Ave. NE Fridley, MN 55432

Ph. +1 763.398.2008

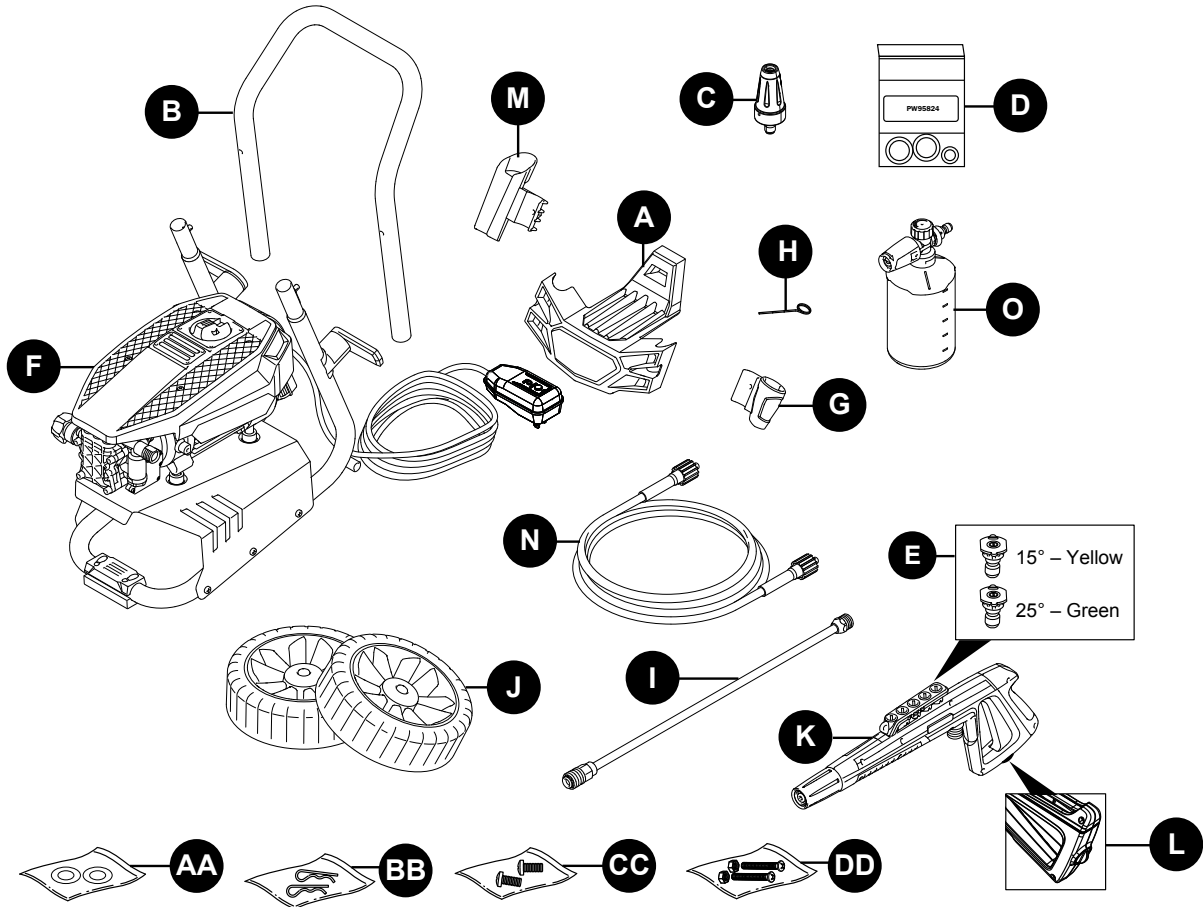
## TABLE OF CONTENTS

Product Specifications .....	3
Package Contents .....	4
Hardware Contents .....	4
Safety Information.....	5
Assembly Instructions.....	7
Operating Instructions .....	12
Care and Maintenance .....	14
Pump Saver .....	15
Troubleshooting.....	16
Limited Warranty.....	17
Replacement Parts List .....	18

## PRODUCT SPECIFICATIONS

SPECIFICATIONS									
Model	Max PSI (lbs/sq. in.)	Rated PSI (lbs/sq. in.)	Max GPM (Gal/per min)	Rated GPM (Gal/per min)	Cold Water	Volts	Frequency (Hz)	Amps	Weight (lbs.)
BMXP32300	2300	1950	1.5	1.1	✓	120	60	13	55.3

## PACKAGE CONTENTS



PART	DESCRIPTION	QUANTITY
A	Hose Hook	1
B	Handle	1
C	Rotary Nozzle	1
D	O-Ring Replacement Kit	1
E	Quick Connect Nozzles	2
F	Power Washer Unit	1
G	Rotary Nozzle Holder	1
H	Nozzle Cleaning Wire	1
I	Extension Lance	1
J	Wheels	2

PART	DESCRIPTION	QUANTITY
K	Spray Gun	1
L	Spray Gun Trigger Lock	1
M	Spray Gun Holster	1
N	High Pressure Hose	1
O	High Pressure Foam Cannon	1
AA	Shims	4
BB	Cotter Pins	2
CC	Screws	2
DD	Screws	2

## HARDWARE CONTENTS



**AA** Shims  
Qty. 4



**BB** Cotter Pins  
Qty. 2



**CC** Screws  
Qty. 2



**DD** Screws  
Qty. 2

## SAFETY INFORMATION

Please read and understand this entire manual before attempting to assemble and operate the product.

This manual contains information that relates to PROTECTING PERSONAL SAFETY and PREVENTING EQUIPMENT PROBLEMS. It is very important to read this manual carefully and understand it thoroughly before using the product. The symbols listed below are used to indicate this information.



### DANGER

Potential hazard that **will result in serious injury or loss of life.**



### WARNING

Hazard that **could result in serious injury or loss of life.**



### CAUTION

Potential hazard that **may result in moderate injury or damage to equipment.**

**Note:** The word “Note” is used to inform the reader of something the operator needs to know about the tool.



### WARNING

To reduce the risk of injury, the user must read and understand the instructions before using this product.

1. Warning – When using this product, basic precautions should always be followed, including the following.
2. Read all the instructions before using the product.
3. Know how to stop the product and bleed pressures quickly. Be thoroughly familiar with the controls.
4. Keep operating area clear of persons.
5. Do not overreach or stand on unstable support. Keep good footing and balance at all times.
6. Follow the maintenance instructions as specified in the manual.
7. To avoid personal injury and/or damage to property and to maximize your power washer experience, carefully follow all of the safety tips, instructions, warnings and safeguards and become familiar with all of the controls. Be sure you know how to quickly bleed off the pressure from all parts of your power washer and how to turn off the power washer.
8. This power washer conforms to CSA and other safety and consumer standards. **DO NOT** modify or rebuild any part of your power washer.
9. **DO NOT** use your power washer when you are under the influence of alcohol or drugs. Use this power tool carefully and only when you are alert.
10. Watch your balance and footing while using your power washer. Surfaces become slippery when wet and are extra slippery when using a detergent or cleaner.
11. **NEVER** operate the power washer in bare feet, sandals, or open-toed shoes.
12. When using the power washer near children, make sure they are closely supervised by an adult to avoid injury. **NEVER** let a child use the power washer.
13. Keep fingers, hands, feet and any part of your body clear of the stream of high pressure water. The powerful spray can cause blindness or blast holes in the skin. It can break a window if you are too close when you pull the trigger on the spray gun.
14. **ALWAYS** wear eye protection to prevent injury to eyes when operating the power washer.
15. To avoid mishaps or injury, **ALWAYS** use the trigger safety lock when not using the power washer even if only stopping briefly.
16. The power washer is equipped with a Ground Fault Circuit Interrupter (GFCI) (For US unit only) which greatly reduces the chance of electric shock while the unit is in use. If replacement of the plug or cord is needed, use only identical replacement parts.
17. Point the spray gun in a safe direction when beginning a power washer session.
18. Warning- **NEVER** spray directly at a person, animal, electrical device or the unit itself.
19. When first using the spray gun, hold the spray gun and lance with two hands when pulling the trigger (one hand to pull the trigger and the other to stabilize the gun assembly) until you get used to the “kickback” from the spray gun.
20. When you turn the power switch off, water pressure may remain in the system. To discharge the pressure, point the spray gun in a safe direction and pull the trigger.
21. **NEVER** spray flammable liquids.
22. **NEVER** use the power washer in areas that contain combustible dust, liquids or vapors.
23. Avoid contact of the pressure hose with sharp objects and examine the hose regularly. Replace if damaged. Due to the high pressure involved, it cannot be repaired if cut or damaged.
24. Only use detergent specifically formulated for power washers and follow instructions on the detergent’s label. Dish or laundry soap is too thick and will clog the nozzle of your foam cannon.
25. Protect eyes, lungs, and skin from exposure to

## SAFETY INFORMATION

detergent.

26. **Warning**-If connection is made to a potable water system, the system Should be protected against backflow.



### CAUTION

Store the power washer indoors to prevent the water in the unit from expanding under freezing conditions. When the water freezes and expands, your power washer will be damaged and become inoperable. Or, if storing outdoors, it is recommended you use pump saver (not included) to protect pumps.

27. **NEVER** use hot water with your power washer. It will overheat and damage the high pressure pump.
28. **NEVER** leave the power washer unattended while it is powered "ON".
29. **ALWAYS** turn the water supply on before turning the power washer power to on. Running the pump dry will cause damage to the internal components.
30. **NEVER** use a water supply to your power washer

that exceeds 150 PSI maximum.

31. **NEVER** disconnect the high pressure hose from the power washer while the system is pressurized.
32. **NEVER** permanently engage the trigger mechanism on the spray gun.
33. **NEVER** operate the power washer unless all components are properly and securely connected.
34. **NEVER** allow the power washer pump to run for more than one minute after you have turned off the water supply. This can cause the motor and pump to overheat and fail.
35. **NEVER** use lances or other parts that are not compatible for this specific AR BLUE MAXX unit.
36. **NEVER** use an extension power cord since it defeats the effectiveness of the GFCI (For US unit only) and increases the chance of electrocuting the operator.
37. **NEVER** spray any electrical outlet with your power washer.
38. Inspect the power cord before using. **DO NOT** use it if it is damaged.
39. Stay alert - watch what you are doing.

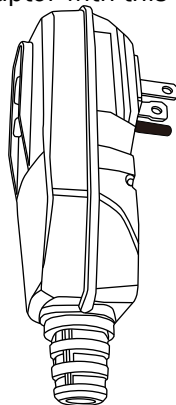
## KEEP THESE INSTRUCTIONS FOR FUTURE REFERENCE.

Ground Fault Circuit Interrupter Protection (For US unit only):

This pressure washer is equipped with a ground-fault circuit-interrupter (GFCI) built into the plug of the power-supply cord. This device provides additional protection from the risk of electric shock. Should replacement of the plug or cord become necessary, use only identical replacement parts that include GFCI protection.

This product must be grounded. If it should malfunction or breakdown, grounding provides a path of least resistance for electric current to reduce the risk of electric shock. This product is equipped with a cord having an equipment-grounding conductor and a grounding plug. The plug must be plugged into an appropriate outlet that is properly installed and grounded in accordance with all local codes and ordinances.

**DANGER** – Improper connection of the equipment-grounding conductor can result in a risk of electrocution. Check with a qualified electrician or service personnel if you are in doubt as to whether the outlet is properly grounded. Do not modify the plug provided with the product – if it will not fit the outlet, have a proper outlet installed by a qualified electrician. Do not use any type of adaptor with this product.

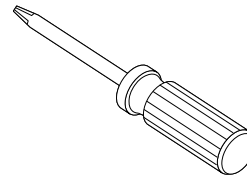


## PREPARATION

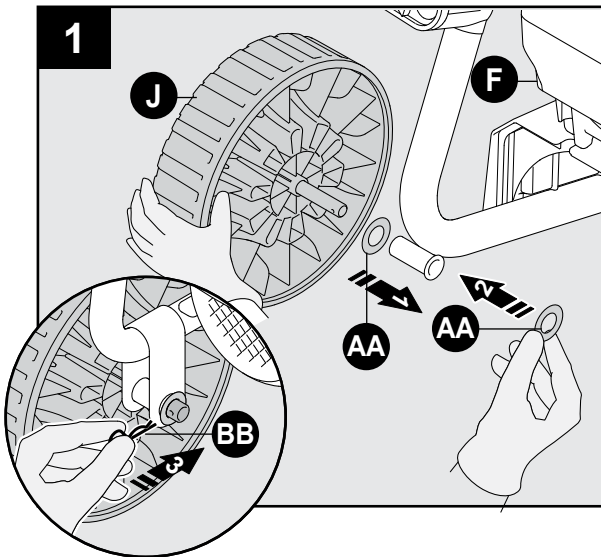
Before beginning assembly of product, make sure all parts are present. Compare parts with package contents list and hardware contents list. If any part is missing or damaged, **DO NOT** attempt to assemble the product. Please call customer service at 1-866-235-5112. Replacement parts will be sent no charge.

Estimated Assembly Time: 5 minutes.

Tools Required for Assembly (not included): Phillips screwdriver.

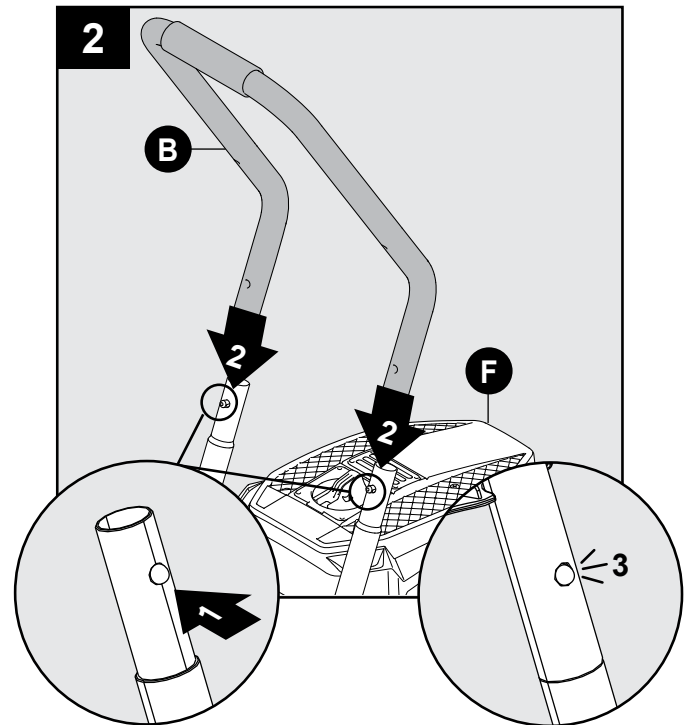


## ASSEMBLY INSTRUCTIONS



### Wheels Assembly

Install shims (AA) and wheels (J) to power washer unit (F). Secure with cotter pins (BB).



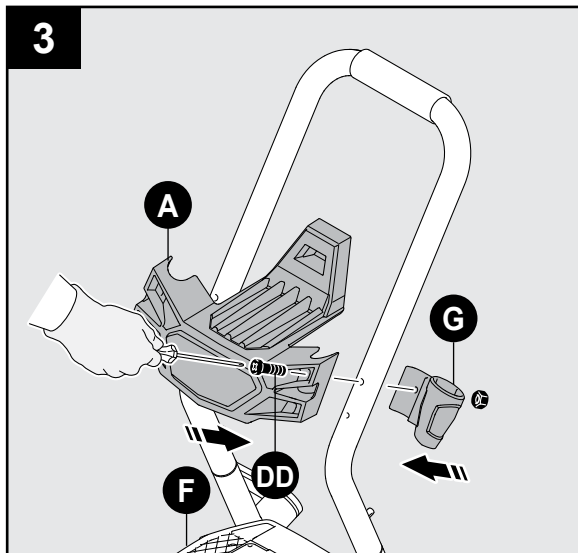
### Hardware Used:

**AA** Shims  x 4

**BB** Cotter Pins  x 2


Press buttons on power washer unit (F) and install handle (B). power washer unit (F) will click when handle is in proper position.

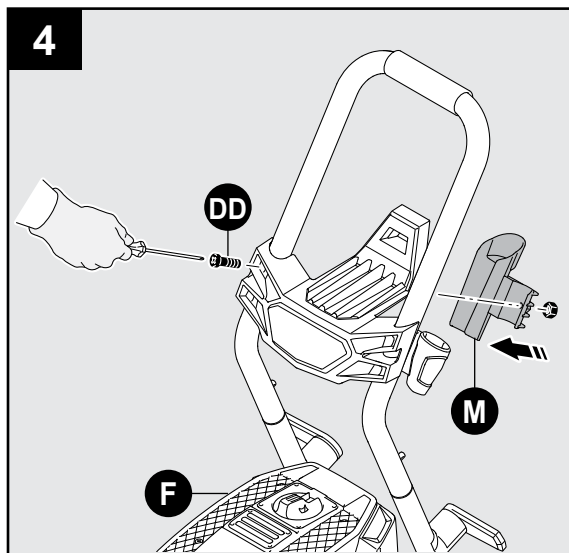
## ASSEMBLY INSTRUCTIONS



Install rotary nozzle holder (G) and one side of hose hook (A) to power washer unit (F). Secure with screw (DD).

### Hardware Used:

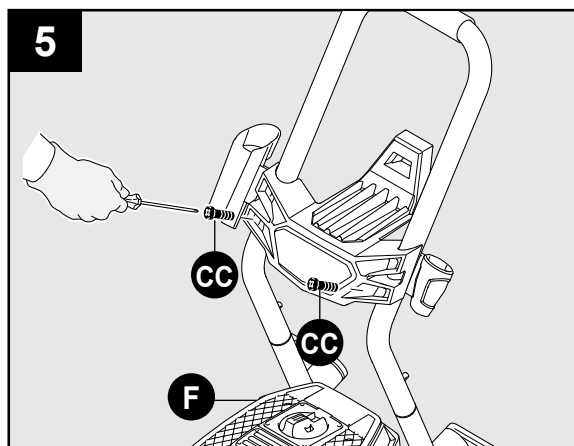
**DD** Screw  x 1



Install spray gun holster (M) and another side of hose hook (A) to power washer unit (F). Secure with screw (DD).

### Hardware Used:

**DD** Screw  x 1



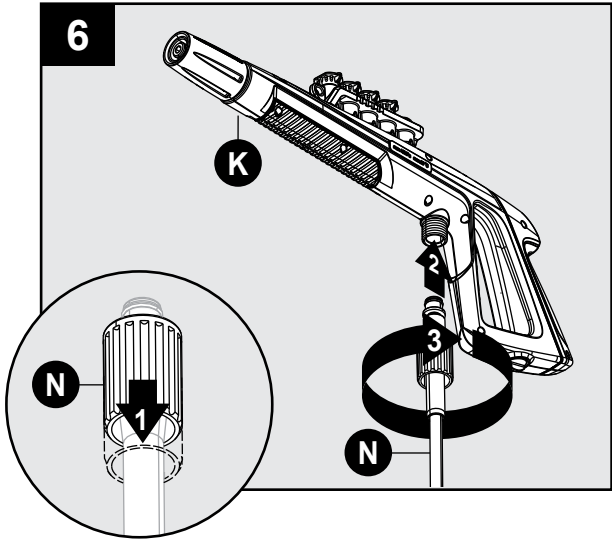
Fix the bottom of hose hook (A) on the power washer unit (F). Secure with screws (CC).

### Hardware Used:

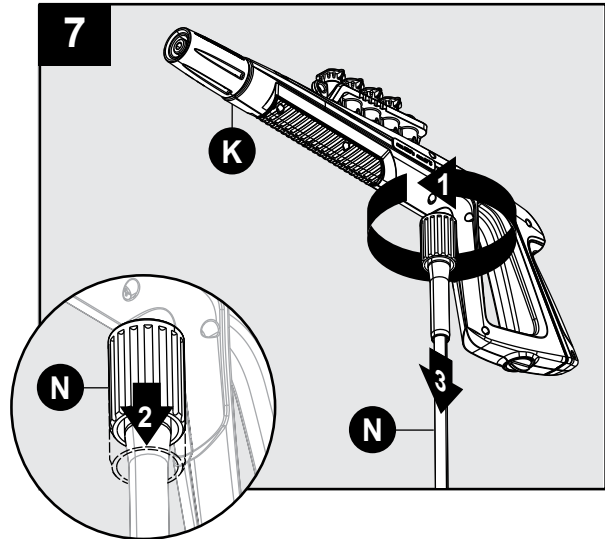
**CC** Screws  x 2



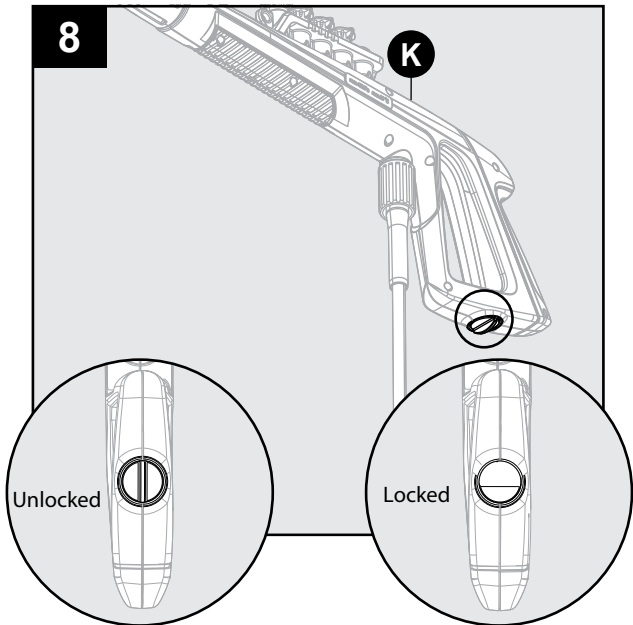
# ASSEMBLY INSTRUCTIONS



Pull back on collar at one end of high pressure hose (N). Push firmly to connect hose to spray gun (K). Twist collar to secure. Confirm hose is locked into spray gun by slightly pulling on them. The hose is now securely attached to spray gun.

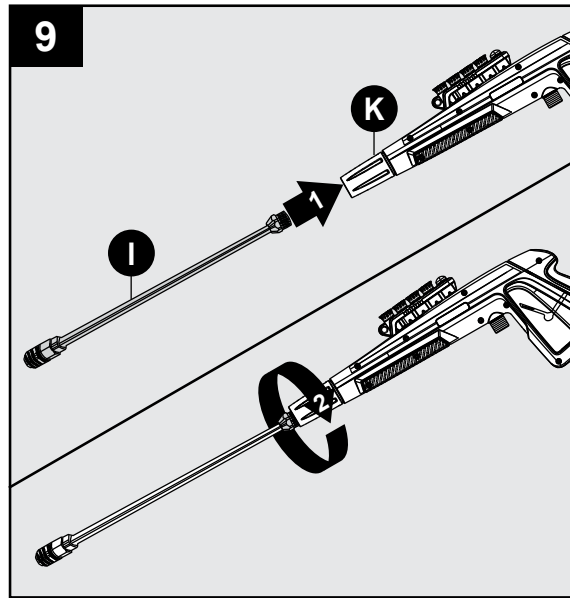


Twist collar then pull back to release the the high pressure hose (N) connection from the gun (K).



Locking Spray Gun (before Lance installation) To lock trigger of spray gun (K), point gun away from you and turn dial to lock ("3" and "9" position). Squeeze or pull trigger to make sure it is locked. Always leave in locked position when not in use. This ensures the gun is in "safe" mode until it is ready for use. Turn dial to unlock ("12" and "6" position) to release spray gun trigger.

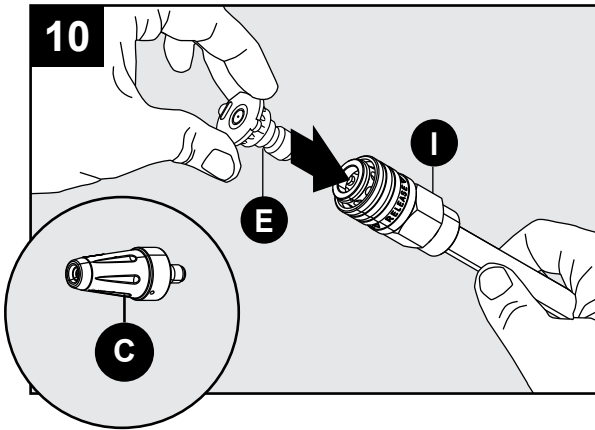
**Note:** The trigger lock prevents trigger from being accidentally engaged.



### Extension Lance Installation

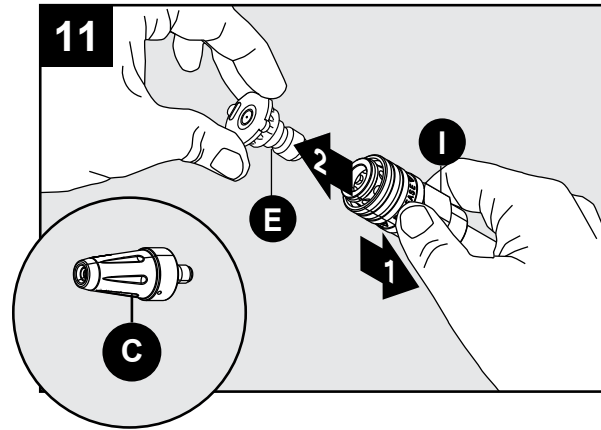
While spray gun (K) is in the locked position, insert lance (I) into the end of spray gun by inserting and turning clockwise until fully in place. To remove, turn counterclockwise.

## ASSEMBLY INSTRUCTIONS

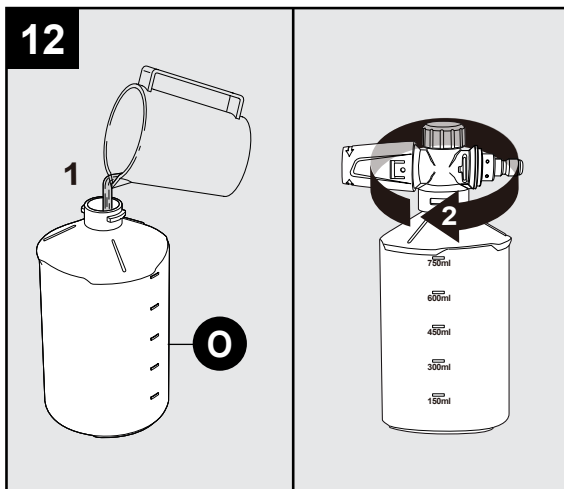


Attach nozzle (E) and Rotary nozzle (C) into end of lance (I) by pressing selected nozzle into place. It will make a “click” sound when firmly in place.

**Note:** Always push safety lock button to lock trigger when changing lances and nozzles to ensure that they do not accidentally eject with force during removal.



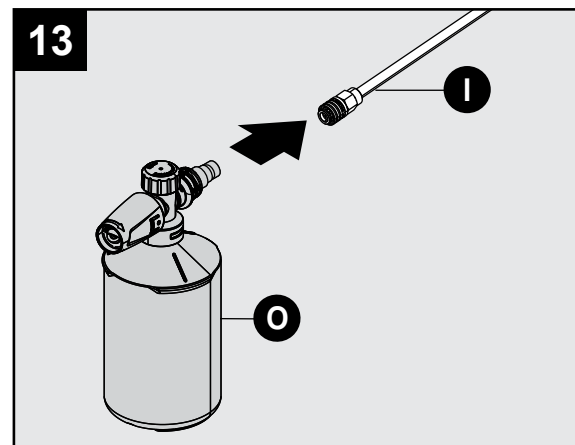
To remove nozzle (E) and Rotary nozzle (C), pull back on collar of lance (I) and pull out nozzle.



### Foam Cannon Installation

The foam cannon (O) comes with a straw which is fitted into high pressure top. If you do not see the straw, look inside the foam cannon and attach it to the high pressure top. When using foam cannon, fill it with a properly formulated detergent or cleaner with a water ratio according to instructions on the container.

**DO NOT** use thick or gel-like detergents as they will clog the foam cannon and can cause damage.

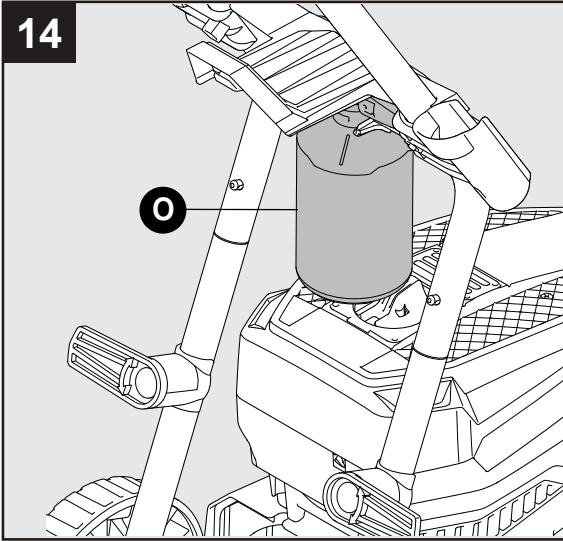


Attach Foam Cannon (O) into end of lance by pressing cannon into place. It will make a “click” sound when firmly in place.

**Note:** Always lock spray gun when changing the foam cannon to ensure it does not eject with force.

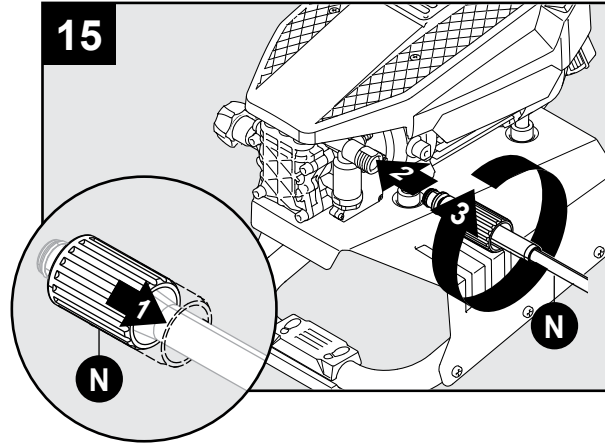
When using the foam cannon, fill it with a properly formulated detergent or cleaner with water ratio according to instructions on the container.

## ASSEMBLY INSTRUCTIONS

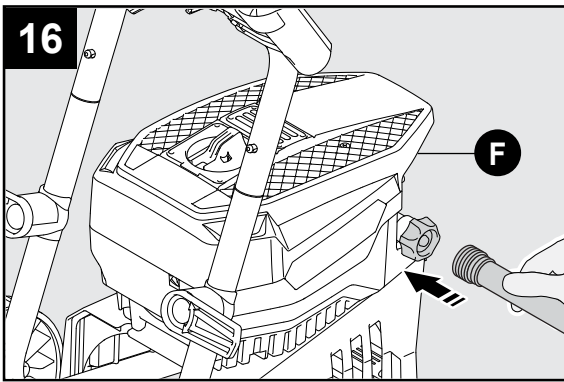


### Foam Cannon Storage

Store the foam cannon (O) on the back of the power washer unit (F).



Pull back on collar at the other end of high pressure hose (N). Push firmly to connect hose to power washer unit. Twist collar to secure. Confirm hose is locked into power washer unit by slightly pulling on hose. The hose is now securely attached.

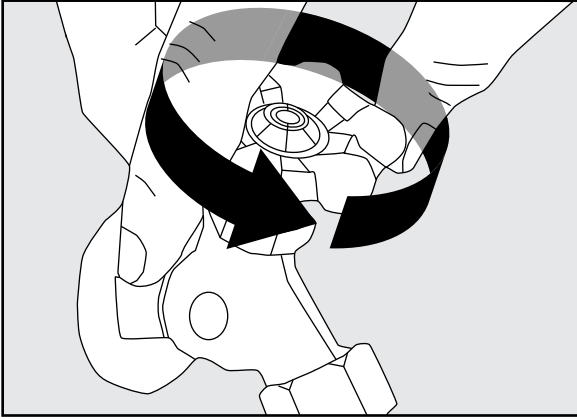


Attach a garden hose to built in garden hose adapter. The water is now connected to your power washer.

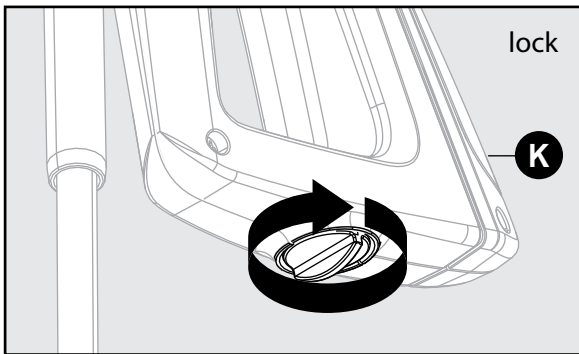
**Note:** Flush out garden hose before connecting to garden hose adapter

You have now completed the assembly and are ready to begin using your electric power washer. Read and observe all safety instructions.

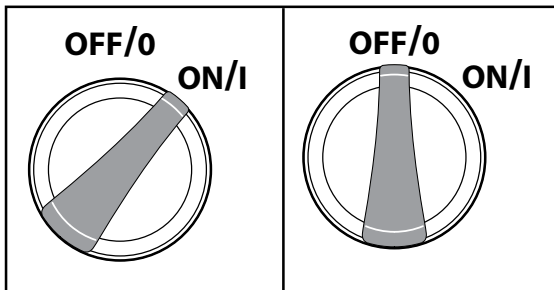
## OPERATING INSTRUCTIONS



- Make sure the power switch is off (light will be off).
- Unwind the power cord completely and plug into a grounded 120 volt outlet.
- Turn on water supply at the faucet to completely open.

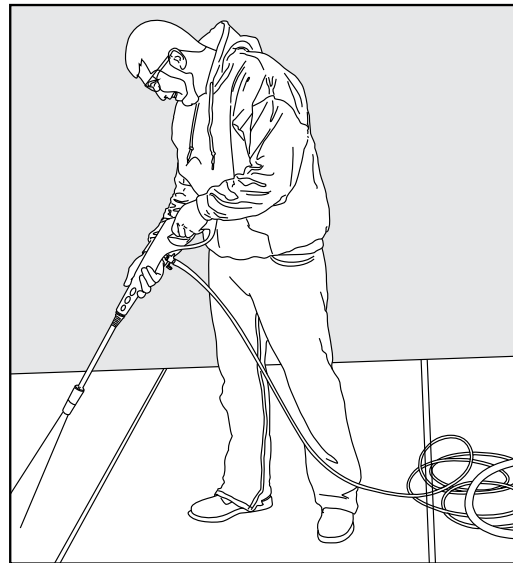


- Turn the safety lock button on the spray gun to unlocked. While pointing the spray gun in a safe direction, squeeze the trigger on the spray gun until there is a steady stream of water, letting the water and air out of the hose.

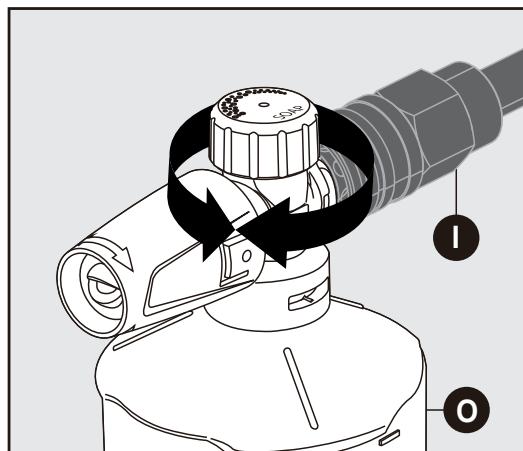


- Turn the power switch to the "ON" (I) position. The unit will turn on for 1 - 2 seconds and shut off. This is a normal function of the auto start feature. Squeeze the spray gun trigger to begin pressure washing.

- Squeeze the spray gun trigger to begin pressure washing.
- Begin power washing by squeezing the trigger on the spray gun all the way into the handle.
- Release the spray gun trigger to stop the power washer.
- Allow the motor to come to a complete stop before squeezing the trigger again.
- Squeezing rapidly will cause the auto start feature to miss an on/off cycle that may prevent it from turning on while squeezing trigger after rapid squeezing. Use slow, deliberate trigger pulls to avoid this.



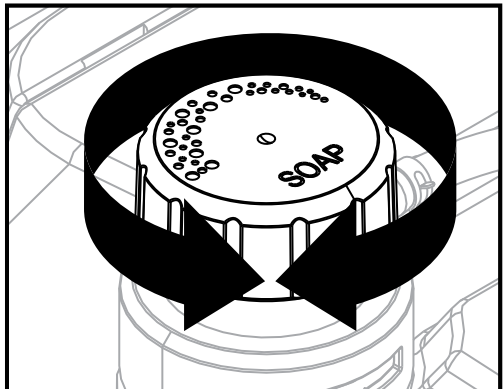
- **Always** test a small area to avoid chance of damaging the surface.



### Adjusting Soap Levels on Foam Cannon

Twist knob to adjust the level of soap as indicated on the top of the Foam Cannon (O). Twist toward the higher concentration of bubbles for more soap, or the opposite direction for less.

## OPERATING INSTRUCTIONS



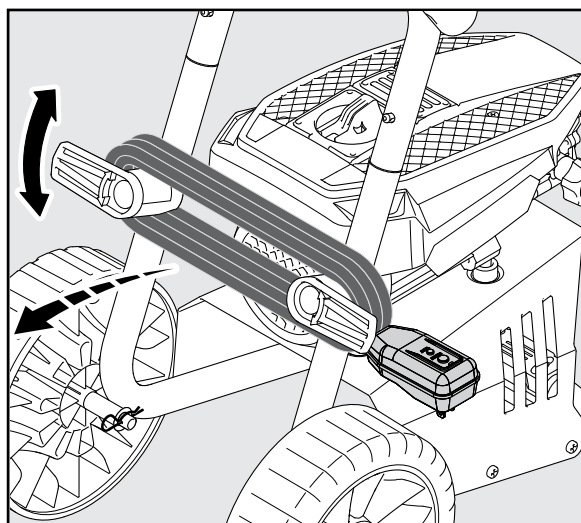
- The power washer will pull a ratio of water to detergent of 10:1 or 10 parts water to 1 part detergent. The detergent concentration can be adjusted by turning the detergent knob on the top of the machine. Turn it left for more concentration or turn it right for less concentration.

### Operation Tips

- **Note:** Test the GFCI (For US unit only) before each use:
  1. Plug GFCI into power outlet. Indicator should turn green to show that cord has power.
  2. Press test button, green indicator should turn off to verify that GFCI cut off power to the cord.
  3. Press reset button – green indicator should turn on to show that cord has power again.
  4. When GFCI is working properly, green indicator will turn on when power is applied. If green indicator turns off, it has detected electric leakage and the GFCI cut off power to the appliance.
- If you hear the motor run intermittently when the trigger is not being squeezed, that is normal. The pump is priming itself so it is ready to operate when the trigger is squeezed. Turn off the power washer if not being used after five minutes.
- The o-rings on the bayonet end of the nozzle should be cleaned regularly and lubricated with non-water soluble grease such as petroleum jelly (not included).
- Keep the nozzle cleaning wire for use in unclogging the nozzle. If you lose the cleaning wire, a straightened paper clip also works.

### How to Avoid Damaging Surfaces

- Damage to surfaces being cleaned occurs because the impact force of the water pressure exceeds the durability of the surface. Bare wood can be penetrated, paint can be peeled off, etc. You can vary the force of your power washer by controlling:
  1. The angle of the surface being cleaned.
  2. The distance of the nozzle from the surface being cleaned.
- Never use a narrow high pressure stream of water on soft surfaces susceptible to damage.
- Use the 25° quick connect nozzle when cleaning windows. Squeeze the trigger and vary the spray pattern and angle until optimum cleaning efficiency is achieved.



### Using Power Cord

- Remove the power cord from the unit by swiveling the cord hook to the up or down. The power cord then can be slid off to the side of the power washer unit.
- Swivel cord hook back to left or right when ready to wrap the cord back into place for storage.

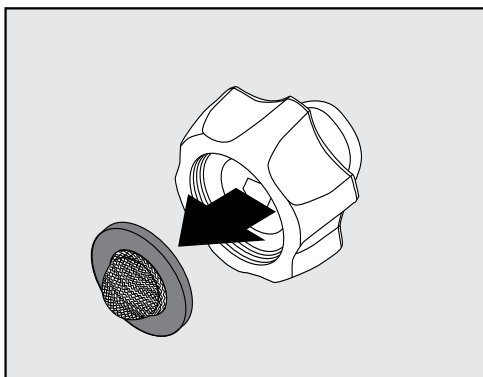
## CARE AND MAINTENANCE

### Detergents

- Use detergents designed for power washers. Hardware stores or home centers also have power washer detergents for different cleaning projects. The cleaning solution should be the consistency of water in order to prevent clogging your detergent bottle and nozzle.
- This system applies detergent under low pressure. The cleaning power of the detergents is enhanced when applied with low pressure and enough time is given to break down dirt and grime. The combination of low pressure and chemical action is very effective and can be better than scrubbing if applied properly. **Always** spray detergent on a dry surface. **Do not** pre-soak area. Wetting the surface first dilutes the detergent and reduces its cleaning ability. **Do not** allow detergent to dry on surface. On vertical surfaces being cleaned, apply detergent to lower surfaces and work your way up to prevent detergent from causing streaks in the dirt and grime. Rinse detergent by pressure washing from bottom up for same reason.
- If a stain is particularly tough, it may be necessary to reapply the detergent and use a bristled brush to scrub the stain. Subsequent power washing after brushing should successfully complete your cleaning job.

### Cleaning Garden Hose Adapter

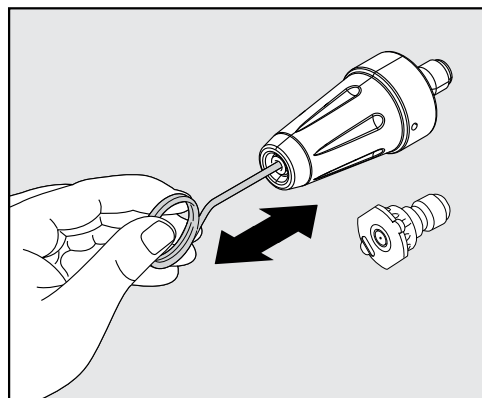
- The screen inside the adapter should be cleaned periodically. Remove it by dragging a thumb over the screen with enough pressure to pull the screen and washer out. Rinse it with clean water and then place it back in the adapter.



### Cleaning Nozzles

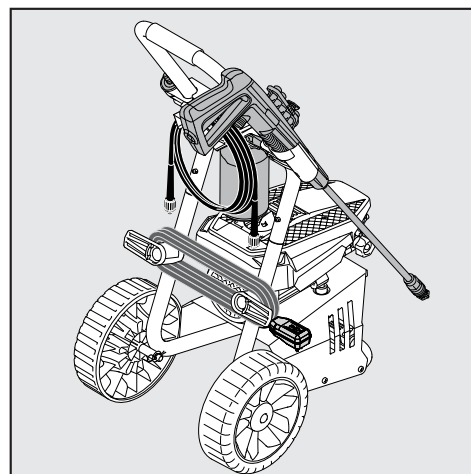
- A clogged or partially clogged nozzle can cause significant reduction of water pressure coming out of the nozzle and/or cause the unit to pulsate while spraying.

- Turn off the unit.
- Turn off the water supply to the unit.
- Relieve any pressure trapped in the hose by squeezing the trigger 2 - 3 times, then lock the spray gun by turning the dial to lock ("3" and "9" position).
- Using the nozzle tip cleaner provided (or an unfolded paper clip), insert the wire into the nozzle hole and move back and forth until debris is dislodged.
- Back flush water through the nozzles using garden hose and highest pressure available (either standard water nozzle or use your thumb over the nozzle to create water pressure for back flush).



### Storage

- When your pressure washer session has been completed, turn off the power switch. Unplug the power cord from the outlet. Turn off the water supply. Pull the trigger on the spray gun 2-3 seconds to drain out the excess water and to release any remaining water pressure. Do not allow the power washer to run with no water flowing through it.
- Remove high pressure hose from spray gun and unscrew the other end of the high pressure hose from the power washer.



## CARE AND MAINTENANCE

- The high pressure hose is stored on the hose hook located on the back of the handle.
  - Insert extension lance into nozzle tray, and press spray gun with extension lance into spray gun holster.
  - Make sure to discard any remaining detergent from the foam cannon. Residual chemical will stick to the container which could become contaminated and can cause the foam cannon injector to clog and not function properly. Flush the foam cannon and nozzles with clear water to prevent clogging.
  - The quick connect nozzles are stored on the nozzle holder located on the spray gun.
  - Put the rotary nozzle on the rotary nozzle holder, which is on the right of the power washer.
  - Store the foam cannon on the back of the power washer.
  - Wind the power cord around the cord hooks located on the back of the power washer.
- **DO NOT store the power washer where it is exposed to freezing temperatures unless you use an antifreeze designed for pumps.** Store the power washer indoors to prevent the water in the unit from expanding under freezing conditions. When the water freezes and expands, your power washer will be damaged and become inoperable. Or, if storing outdoors, it is recommended you use pump saver (not included) to protect pumps.

## PUMP SAVER

**Pump Saver** is a product that protects and prolongs the life of the pump. This will keep the internal parts of the pump lubricated and protected from freezing while being stored in ALL climates. It also assists with protection from internal corrosion. The AR Blue Clean part # is: PW64511(16oz. bottle). Order online at [www.arblueclean.com](http://www.arblueclean.com)

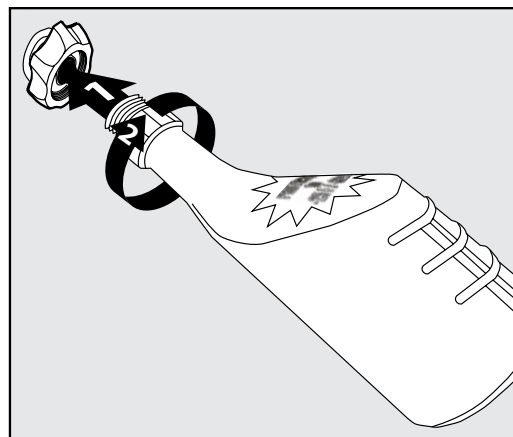
### Pump Saver Instructions

Follow the previous storage instructions for your power washer. To prevent staining, protect the surface under the power washer from any excess fluid. wear ear and eye protection when using this product.

Turn unit off and disconnect the gun before adding pump saver. Unscrew threaded top from bottle to remove seal and reattach threaded top to bottle. Remove black cap from bottle.

- 1) Place top of pump saver bottle onto the garden hose adapter.
- 2) Secure pump saver bottle by turning in a clockwise direction.
- 3) Turn the power on.
- 4) Squeeze bottle to help it into the pump.
- 5) Turn power off when pump saver exits the machine's water outlet.

**Note:** Instructions on Pump Saver Bottle are generic and not model specific.



## TROUBLESHOOTING

If you have any questions regarding the product, please call customer service at 1-866-235-5112

PROBLEM	CORRECTIVE ACTION
Unit will not turn on.	<ol style="list-style-type: none"> <li>1. Make sure the power washer is OFF. Plug in the electrical cord to a grounded 120 volt outlet (no electrical extension cord should be used). If the electrical cord will not plug into your outlet, your electrical outlet is not properly grounded and should not be used. Use another electrical outlet.</li> <li>2. If this did not correct the problem, try plugging into another electrical outlet and repeat the above procedure. If it is still not working, call Customer Service. 1-866-235-5112</li> </ol>
The high pressure (HP) hose will not connect/stay connected to the spray gun. Is this a spray gun problem?	<ol style="list-style-type: none"> <li>1. In most cases, the spray gun is not the problem. The problem is the rubber sleeve covering the fitting at the end of the high pressure hose. It has likely slipped up toward the metal tip. To fix: wiggle, twist and/or pull the rubber sleeve down until the entire tip is visible plus an 1/8 in. of the metal fitting below the tip. Now try to insert the hose tip into the spray gun. It should “click” into place and will not come out until the hose is released by pushing in the lever on the underside of the gun. You may cut away the end of the sleeve with a sharp knife if unable to move the sleeve down. Be careful not to cut or puncture the hose.</li> </ol>
The unit is running but there is no water flow.	<ol style="list-style-type: none"> <li>1. Power should NOT be turned on until water comes through the spray gun. Doing so will damage the motor.</li> <li>2. Check the water source.</li> <li>3. Eject the nozzle from the lance to determine if clog is coming from the nozzle (If nozzle is clogged, see nozzle cleaning instructions under “Cleaning nozzles”).</li> <li>4. Take off the lance and just spray out of the spray gun. This will indicate if the problem is with the lance.</li> <li>5. Check Garden Hose Adapter for loose connection and the filter for debris.</li> </ol>
Why is water leaking where the high pressure hose connects to the spray gun?	<ol style="list-style-type: none"> <li>1. Make sure there is an o-ring at the end of the metal tip of the high pressure hose. If no o-ring is present, the connection between the hose and spray gun will leak. O-Ring Replacement Kit (D) is included with purchase. Additional O-Ring Kits are available online at <a href="http://www.arblueclean.com">www.arblueclean.com</a> or call Customer Service at 1-866-235-5112 to place an order.</li> </ol>
I can't remove the lance from the spray gun. What should I do?	<ol style="list-style-type: none"> <li>1. All lances are attached and removed from the spray gun in the same manner. Insert the end of the lance into the spray gun. Press the spray gun and lance together (about a 1/8 in.) and turn the collar of the gun clockwise. The lance will lock in place. Remove the lance by reversing this procedure. Press the spray gun and lance together and turn counter clockwise. The lance will slide out.</li> <li>2. Hold the spray gun and lance in an upright position with the nozzle end on the floor. Push the whole assembly straight down to loosen the connection, and then follow the removal process again. You may also spray soapy water or a lubricant in the area where the lance connects to the spray gun.</li> </ol>
The power washer turns on for 2 seconds, shuts off, and will not turn back on. Do I have a defective unit?	<ol style="list-style-type: none"> <li>1. When the water is connected, the accessories are assembled properly, and the power is turned on, the power washer may turn on for 1 - 2 seconds to prime the pump. It automatically shuts off and waits for the spray gun trigger to be pressed. When the trigger is pressed, water starts flowing through the pump. The water sensor in the pump “senses” the moving water and automatically turns the power washer on.</li> <li>2. Turn the power off, hold in the trigger on the spray gun so that you have a steady stream of water. While you are holding the trigger open on the spray gun, at the same time, turn the power on.</li> </ol>



## LIMITED WARRANTY

The Warranty of this product is covered by A.R.North America.

This product has a 2 (two) year warranty. Please read the following carefully to understand what each warranty entails:

This product is under warranty to the original retail consumer against defects in material and workmanship for a period of 1(one) year and is a complete “bumper to bumper” warranty including the spray gun, the high pressure hose and all accessories from the date of purchase. The warranty is not transferable or assignable. This warranty covers replacement parts. This limited one year warranty applies only to products used in consumer applications and is void in rental or any commercial application. Reasonable care must be used in conformity with operation and maintenance instructions in the owner’s manual and quick start guide. Failure to follow these instructions will void this warranty. This warranty gives you special legal rights and you may also have other rights which vary from state to state.

The second year of the warranty only covers manufacturer defects.

### **Warranty Process**

Keep your original receipt of purchase in case of warranty claim.

If your power washer develops a problem, contact Customer Service:

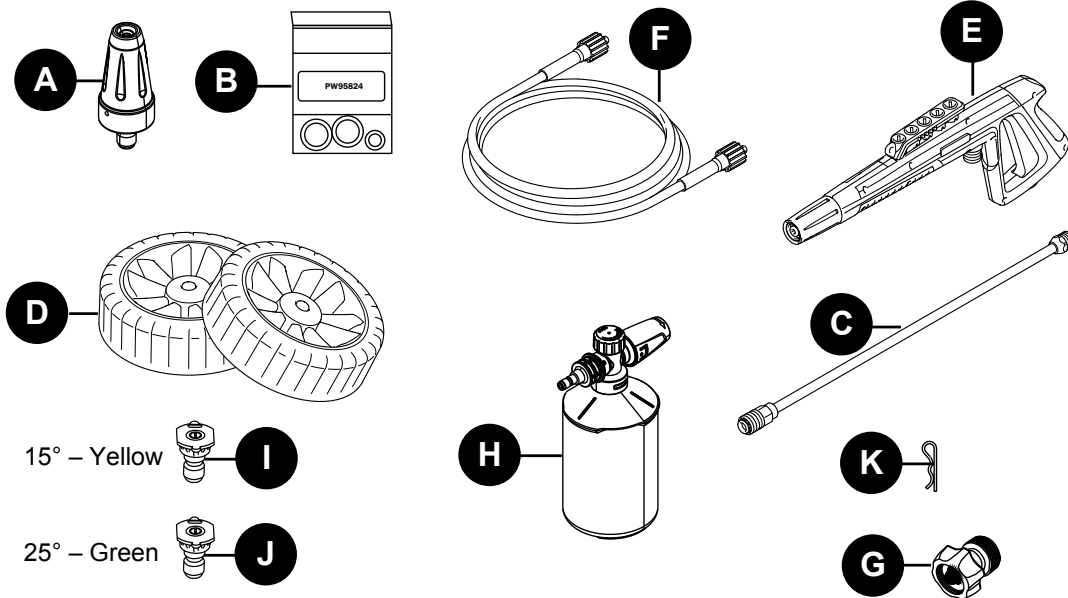
- Call our toll-free number at 1-866-235-5112. Customer Service is available Monday - Friday 8:00 a.m. to 5:00 p.m. Central Standard Time (CST). A Customer Service Representative will work with you to fix the problem.

If the power washer needs to be returned for repair, shipping costs to the company must be paid by the customer. A **Return Merchandise Authorization (RMA) Number** will be issued for the return. Upon receiving the power washer, the company will repair or replace the unit. We will send unit back to customer at no charge.

Please note: Power washers sent to the company **without an RMA Number will NOT be accepted** and will be shipped back at the expense of the sender.

## REPLACEMENT PARTS LIST

For replacement parts, call our customer service department at 1-866-235-5112, 8 a.m. - 5:00 p.m., CST, Monday - Friday or order online at [www.arblueclean.com](http://www.arblueclean.com)



PART	DESCRIPTION	PART #
A	Rotary Nozzle	PW4222800
B	O-Ring Replacement Kit	PW4222450
C	Extension Lance	PW4222950
D	Wheel	PW4980120
E	Spray Gun	PW4221764
F	High Pressure Hose	PW4222420

PART	DESCRIPTION	PART #
G	Garden Hose Adapter	PW4221600
H	High Pressure Foam Cannon	PW4620265
I	15° QC Nozzle	PW4222650
J	25° QC Nozzle	PW4222660
K	Cotter Pin	PW4620380

Printed in China

# 2300 PSI BLUEMAXX HIGH PRESSURE WASHER

## LAVEUSE À PRESSION ÉLECTRIQUE

### GUIDED'ASSEMBLAGE, D'ENTRETIEN ET D'UTILISATION Modèle BMXP32300

LIRE ATTENTIVEMENT

**IMPORTANT : CONSERVER CE GUIDE ET  
INSÉRER LA FACTURE DANS LE GUIDE POUR  
RÉFÉRENCE ULTÉRIEURE.**



#### **Questions, problèmes, pièces manquantes?**

Avant de retourner l'appareil chez le marchand, Appelez (1-866-235-5112) ou par courriel (info@arnorthamerica.com) notre département customerService. Ils sont disponibles de 8 h à 17 h, HNC, du lundi au vendredi. [www.arblueclean.com](http://www.arblueclean.com)

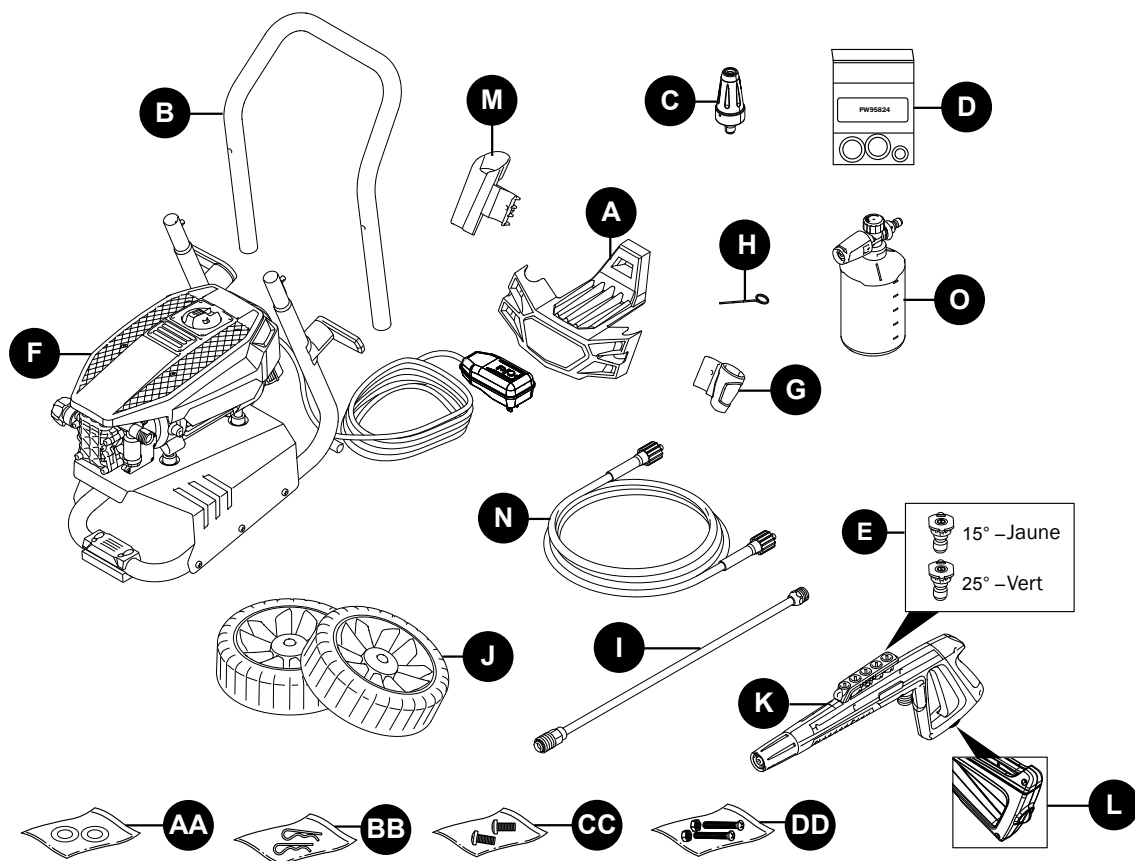
## TABLE DES MATIÈRES

Caractéristiques du produit.....	20
Contenu de l'emballage.....	21
Quincaillerie incluse.....	21
Consignes de sécurité .....	22
Instructions pour l'assemblage.....	24
Mode d'emploi .....	29
Entretien .....	31
Protecteur de pompe .....	32
Dépannage .....	33
Garantie limitée.....	34
Liste des pièces de rechange.....	35

## CARACTÉRISTIQUES DU PRODUIT

CARACTÉRISTIQUES									
Modèle	PSI MAX (k/cm <sup>2</sup> ) (lb/po <sup>2</sup> )	PSI Évalué (k/cm <sup>2</sup> ) (lb/po <sup>2</sup> )	Débit MAX (Litre/min) (Gal./min)	Débit Évalué (Litre/min) (Gal./min)	Eau froide uniquement	Volts	Fréquence (Hz)	Ampères	Poids (kg) (lb)
BMXP32300	6730 (2300)	5706 (1950)	5.7 (1.5)	4.2 (1.1)	✓	120	60	13	25.1 (55.3)

## CONTENU DE L'EMBALLAGE



PIÈCE	DESCRIPTION	QUANTITÉ
A	Support du tuyau	1
B	Poignée	1
C	Buse rotative	1
D	Kit de remplacement de joint torique	1
E	Buse à raccord rapide	2
F	Laveuse à pression	1
G	Porte-bus rotatif	1
H	Fil de nettoyage de la buse	1
I	Lance d'extension	1
J	Roues	2
K	Pistolet de pulvérisation	1

PIÈCE	DESCRIPTION	QUANTITÉ
L	Verrou de la gâchette du pistolet de pulvérisation	1
M	Étui du pistolet de pulvérisation	1
N	Tuyau à haute pression	1
O	Canon mousse haute pression	1
P	Fil de nettoyage de la buse	1
AA	Cales	4
BB	Goupille fendue	2
CC	Vis	2
DD	Vis	2

## QUINCAILLERIE INCLUSE



**AA** Cales  
Qté : 4



**BB** Goupille fendue  
Qté : 2



**CC** Vis  
Qté : 2



**DD** Vis  
Qté : 2

## CONSIGNES DE SÉCURITÉ

Veillez lire et comprendre tout ce manuel avant d'essayer de monter et de faire fonctionner le produit.

Le présent manuel contient des informations concernant la PROTECTION DE LA SÉCURITÉ PERSONNELLE et la PRÉVENTION DE PROBLÈMES D'ÉQUIPEMENT Il est important de lire et de comprendre l'intégralité du manuel avant d'utiliser le produit. Les symboles apparaissant ci-dessous sont utilisés pour indiquer ces informations.



### DANGER

Risque potentiel ayant pour conséquence **des blessures graves ou la mort.**



### AVERTISSEMENT

Risque potentiel pouvant causer **des blessures graves ou la mort.**



### ATTENTION

Risque potentiel pouvant causer **des blessures ou des dommages à l'équipement.**

**Remarque :** Le mot « Remarque » est utilisé pour informer l'utilisateur d'un renseignement important concernant l'utilisation de l'appareil.



### AVERTISSEMENT

Pour réduire le risque de blessure, l'utilisateur doit lire et comprendre les instructions avant d'utiliser ce produit.

1. Avertissement — Certaines précautions de base doivent être toujours suivies lors de l'utilisation de l'appareil, y compris :
2. Lire les instructions avant d'utiliser l'appareil.
3. Savoir comment arrêter l'appareil et le dépressuriser rapidement. Connaître le fonctionnement de chaque bouton de commande.
4. Définir un périmètre de sécurité.
5. Ne pas s'étirer trop loin ou prendre place sur un support instable. Toujours garder une position stable et sûre.
6. Suivre les directives d'entretien décrites dans le manuel.
7. Pour éviter des blessures ou des dommages matériels et pour profiter au maximum de l'appareil, suivre les conseils de sécurité, instructions, avertissements et recommandations et se familiariser avec les commandes.
8. Cette laveuse à pression est conforme aux normes de la CSA et à d'autres normes de sécurité. **NE PAS** modifier ni reconditionner les pièces de cette laveuse à pression.
9. **NE PAS** utiliser cette laveuse à pression si vous êtes sous l'influence d'alcool ou de drogue. Utiliser cet appareil avec prudence et uniquement lorsque vous êtes alerte.
10. Toujours garder une position stable et sûre pendant l'utilisation de la laveuse à pression. Les surfaces mouillées sont glissantes et l'utilisation de détergent les rend encore plus dangereuses.
11. **NE JAMAIS** utiliser la laveuse à pression les pieds nus, en sandales ou avec des chaussures ouvertes.
12. Lorsque des enfants sont présents autour de la zone d'utilisation de la laveuse à pression, un adulte doit assurer la surveillance pour éviter le risque de blessures. **NE JAMAIS** permettre à un enfant d'utiliser la laveuse à pression.
13. Tenir les doigts, les mains, les pieds et toutes les parties du corps loin du jet d'eau à haute pression. Le jet d'eau à haute pression peut causer la cécité ou déchirer la peau. Il peut fracasser une vitre si la buse est trop proche de la fenêtre lorsqu'on appuie sur la gâchette du pistolet pulvérisateur.
14. Afin de prévenir les blessures aux yeux, PORTER toujours des lunettes de sécurité pendant l'utilisation de la laveuse à pression.
15. Pour éviter les accidents ou les blessures, **VERROUILLER** toujours la gâchette à l'aide du bouton de sûreté lorsque la laveuse à pression n'est pas en service, même si le jet a été arrêté temporairement.
16. La laveuse à pression est équipée d'un disjoncteur de fuite de terre afin de réduire le risque de décharge électrique pendant l'utilisation de l'appareil (Pour l'unité américaine seulement). S'il est nécessaire de remplacer la fiche ou le cordon d'alimentation, utiliser uniquement une pièce de remplacement identique.
17. Pointer le pistolet pulvérisateur vers une direction sécuritaire avant de commencer une séance de lavage.
18. Avertissement — **NE JAMAIS** utiliser le pistolet pulvérisateur pour arroser une personne, un animal, un appareil électrique ou la laveuse à pression.
19. À la première utilisation du pistolet pulvérisateur, tenir le pistolet et la lance à deux mains (une main pour appuyer sur la gâchette et l'autre pour stabiliser le pistolet et la lance) de manière à évaluer l'effet de rebond du pistolet pulvérisateur.
20. Lorsque l'alimentation électrique de la laveuse à pression est coupée, de l'eau sous pression demeure dans l'appareil. Pour relâcher la pression, pointer le pistolet pulvérisateur dans une direction sécuritaire et appuyer sur la gâchette.
21. **NE JAMAIS** pulvériser de liquide inflammable.
22. **NE JAMAIS** utiliser la laveuse à pression dans un espace rempli de poussières, de liquide ou de vapeurs combustibles.
23. Éviter tout contact entre le tuyau à HP et des objets tranchants et vérifier le tuyau régulièrement. Remplacer le tuyau s'il est endommagé. Puisque c'est un tuyau à haute pression, il ne peut pas être réparé.
24. Utiliser uniquement un détergent spécialement conçu pour les laveuses à pression et suivre les instructions

## CONSIGNES DE SÉCURITÉ

sur l'étiquette de la bouteille de détergent.

25. Utiliser des équipements de protection qui protégeront les yeux, les poumons et la peau contre l'exposition au détergent. Le savon à vaisselle et les détergents à lessive sont trop épais et boucheront la buse de la bouteille à détergent.
26. **AVERTISSEMENT**-Si la connexion est faite à un système d'eau potable, le système doit être protégé contre les reflux.



### ATTENTION

Lorsque la température extérieure est sous zéro, entreposer la laveuse à pression à l'intérieur pour éviter que l'eau dans l'appareil gèle. Le fait que l'eau gèle et augmente de volume aura pour effet d'endommager l'appareil et de le rendre inutilisable. Si l'appareil doit être entreposé à l'extérieur, il est recommandé d'utiliser un protecteur de pompe (non compris) pour protéger la pompe.

27. **NE JAMAIS** utiliser d'eau chaude dans la laveuse à pression. Cela aura pour effet de surchauffer la pompe à haute pression et de l'endommager.
28. **NE JAMAIS** laisser la laveuse à pression sans surveillance lorsque l'interrupteur est à la position « ON » (marche).
29. **TOUJOURS** ouvrir l'alimentation en eau avant de placer l'interrupteur électrique à la position « ON » (marche). Le fait de faire fonctionner la pompe à sec pourrait endommager ses composants internes.
30. **NE JAMAIS** utiliser une source d'alimentation en eau ayant une pression supérieure à 150 PSI.
31. **NE JAMAIS** débrancher le tuyau à haute pression de la laveuse à pression pendant que le système est sous pression.
32. **NE JAMAIS** bloquer la gâchette en position ouverte de manière permanente.
33. **NE JAMAIS** faire fonctionner la laveuse à pression si tous les composants ne sont pas branchés correctement et de manière sécuritaire.
34. **NE JAMAIS** laisser fonctionner la pompe de la laveuse à pression plus d'une minute après que l'alimentation en eau ait été coupée. Cela pourrait occasionner la surchauffe du moteur et de la pompe et causer une défaillance.
35. **NE JAMAIS** utiliser une lance ou un autre composant qui n'est pas compatible avec ce modèle d'appareil AR BLUE MAXX.
36. **NE JAMAIS** brancher une rallonge au cordon d'alimentation de l'appareil. Cela compromettrait l'efficacité du disjoncteur de fuite de terre et augmenterait le risque d'électrocution de l'utilisateur (Pour l'unité américaine seulement).
37. **NE JAMAIS** arroser une prise électrique avec le jet du pistolet pulvérisateur.
38. Inspecter le cordon d'alimentation avant d'utiliser l'appareil. **NE PAS** utiliser l'appareil si le cordon d'alimentation est endommagé.
39. Restez en alerte - attention à ce que tu fais.

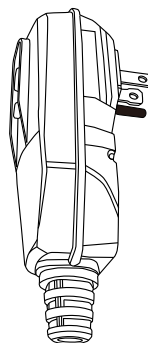
## CONSERVER CES INSTRUCTIONS POUR RÉFÉRENCE ULTÉRIEURE.

Protection contre les disjoncteurs de mise à la terre  
(Pour l'unité américaine seulement):

Ce nettoyeur à pression est muni d'un disjoncteur de fuite de terre (GFCI) intégré dans la fiche du cordon d'alimentation. Ce dispositif fournit une protection supplémentaire contre le risque de choc électrique. Si le remplacement de la fiche ou du cordon devient nécessaire, n'utilisez que des pièces de rechange identiques qui comprennent une protection contre le GFCI.

Ce produit doit être mis à la terre. En cas de dysfonctionnement ou de panne, la mise à la terre fournit un chemin de moindre résistance pour le courant électrique afin de réduire le risque de choc électrique. Ce produit est équipé d'un cordon doté d'un conducteur de mise à la terre de l'équipement et d'une fiche de mise à la terre. La fiche doit être branchée dans une prise appropriée qui est correctement installée et mise à la terre conformément à tous les codes et règlements locaux.

DANGER – une mauvaise connexion du conducteur de mise à la terre du matériel peut entraîner un risque d'électrocution. Vérifiez auprès d'un électricien qualifié ou du personnel de service si vous êtes dans le doute quant à savoir si la prise est correctement mise à la terre. Ne pas modifier la fiche fournie avec le produit – si elle ne fit pas la prise, disposer d'une prise adéquate installée par un électricien qualifié. N'utilisez pas de type d'adaptateur avec ce produit.

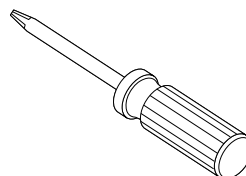


## PRÉPARATION

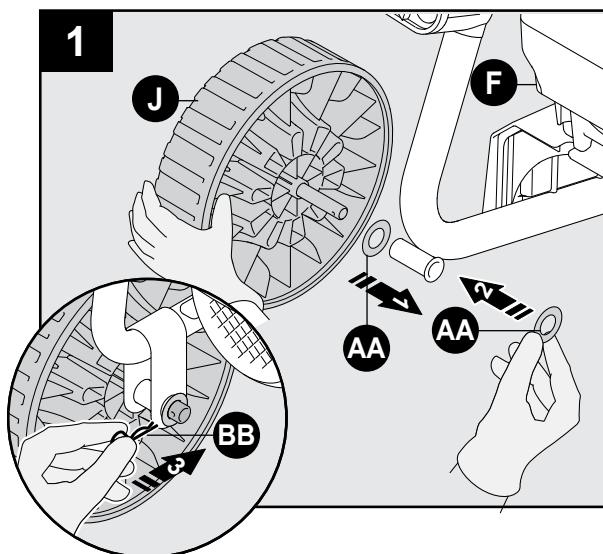
Avant de commencer l'assemblage de l'article, assurez-vous d'avoir toutes les pièces. Comparez le contenu de l'emballage avec la liste de la quincaillerie incluse. S'il y a des pièces manquantes ou endommagées, ne tentez pas d'assembler l'article. Veuillez appeler le service à la clientèle au 1-866-235-5112. Les pièces de rechange seront envoyées sans frais.

Temps d'assemblage approximatif : 5 minutes.

Outils nécessaires pour l'assemblage (non inclus) : tournevis cruciforme.

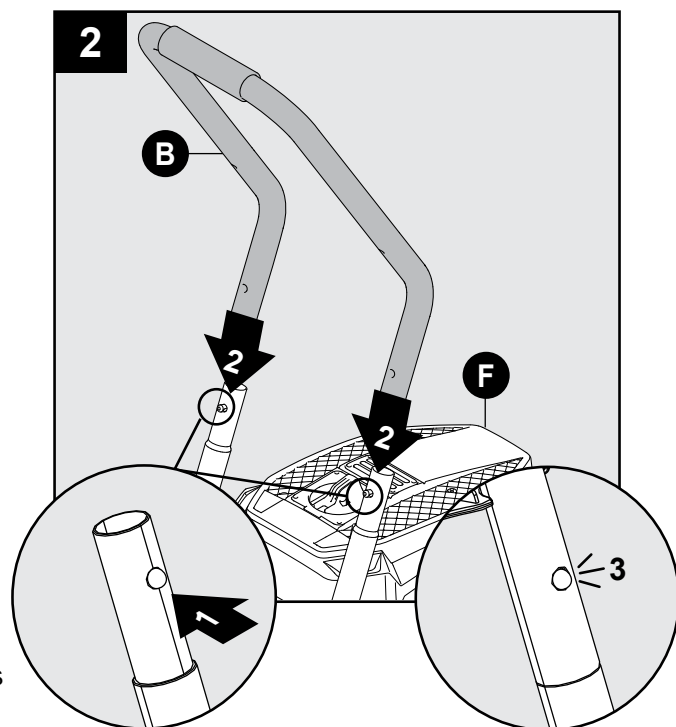


## INSTRUCTIONS POUR L'ASSEMBLAGE



### Assemblage de Roues

Installez les Calza (AA) et les roues (J) sur Laveuse à pression (F). Fixez le tout à l'aide des goupilles fendues (BB).



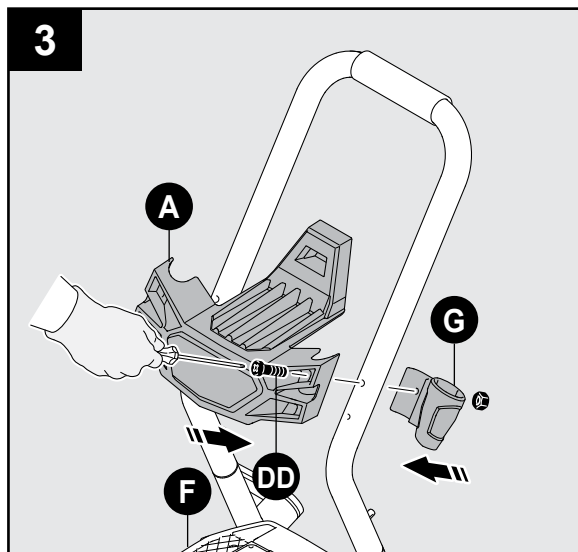
Appuyez sur les boutons sur l'unité de laveuse de puissance (F) et installez la poignée (B). Puissance laveuse unit (F) clique sur quand la poignée est en bonne position

### Quincaillerie utilisée :

- |                           |  |     |
|---------------------------|--|-----|
| <b>AA</b> Calza           |  | x 4 |
| <b>BB</b> Goupille fendue |  | x 2 |




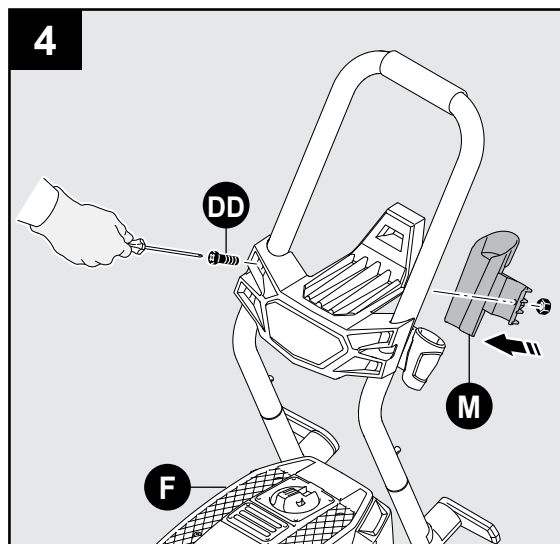
## INSTRUCTIONS POUR L'ASSEMBLAGE



Installer le porte-bus rotatif (G) et un côté du crochet de tuyau (A) pour alimenter l'unité de lave-lille (F). Fixer à vis (DD).

### Quincaillerie utilisée :

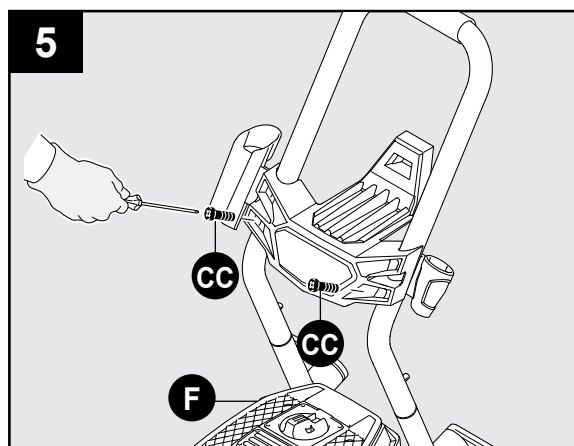
**DD** Vis  x 1



Installez l'étui à canon à pulvérisation (M) et un autre côté du crochet de tuyau (A) pour alimenter l'unité de lave-lère (F). Fixer à vis (DD).

### Quincaillerie utilisée :

**DD** Vis  x 1

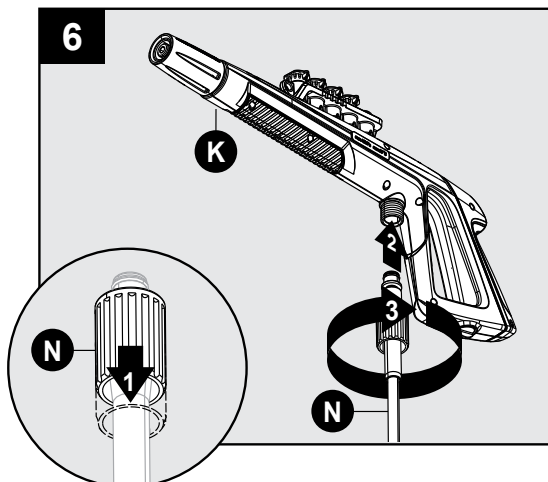


Fixer le fond du crochet de tuyau (A) sur l'unité de laveuse de puissance (F). Sécurisé avec des vis (CC).

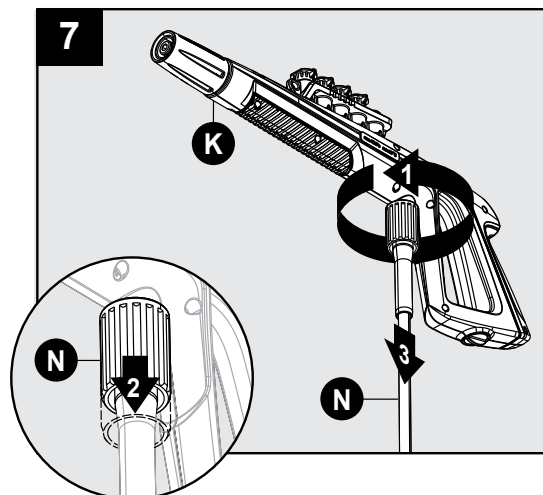
### Quincaillerie utilisée :

**CC** Vis  x 2

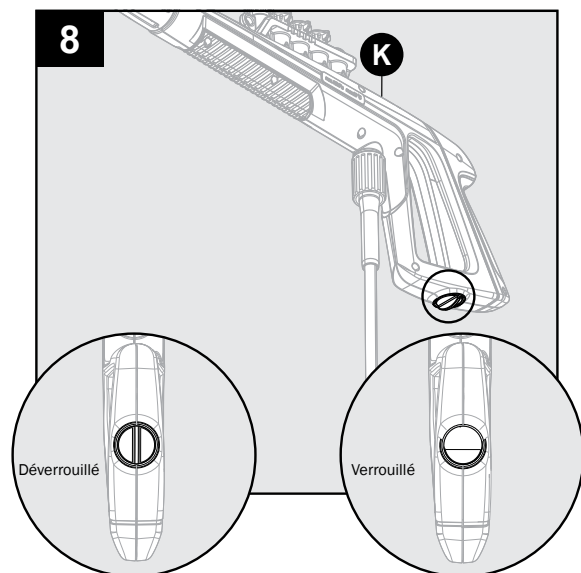
## INSTRUCTIONS POUR L'ASSEMBLAGE



Tirez sur le collier à l'une des extrémités du tuyau (N), puis insérez fermement le tuyau dans l'espace prévu à cet effet sur le pistolet de pulvérisation (K). Tournez le collier pour fixer le tout. Assurez-vous que le tuyau est bien fixé au pistolet de pulvérisation en tirant légèrement sur le tuyau. Le tuyau est maintenant solidement fixé au pistolet de pulvérisation.



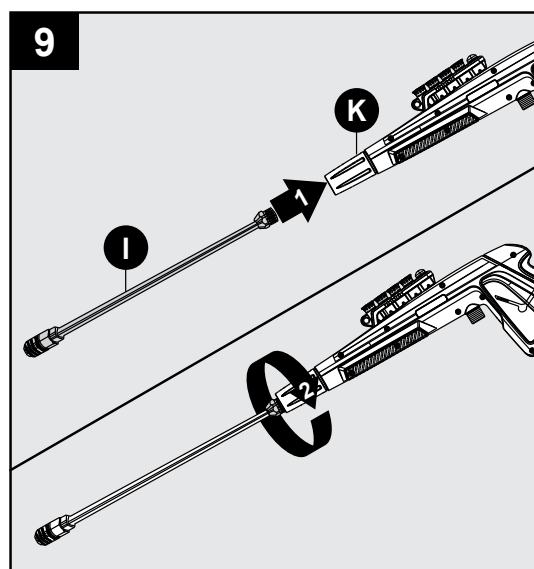
Collier de torsion puis tirez en arrière pour libérer le haut raccord de tuyau (N) de la pression du pistolet (K).



### Pistolet de pulvérisation de blocage (avant l'installation de la Lance)

À verrouillage gâchette du pistolet de pulvérisation (K), pointer le pistolet à vous et tourner à composer à verrou (position "3" et "9"). Squeeze ou appuyer sur la gâchette pour s'assurer qu'il est verrouillé. TOUJOURS laisser en position verrouillée lorsque pas en utilisation. Cela garantit que l'arme est en mode « sans échec » jusqu'à ce qu'il est prêt à l'emploi. Tourner le cadran pour débloquer ("12" et "6" position) à relâcher la gâchette du pistolet de pulvérisation.

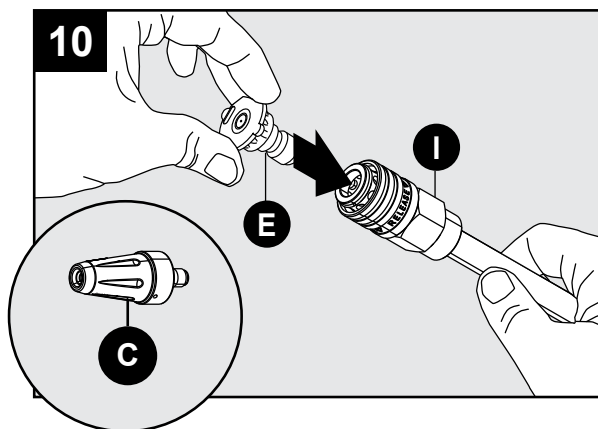
**Remarque :** Le verrou empêche le déclenchement d'être engagé accidentellement.



### Installation de la lance

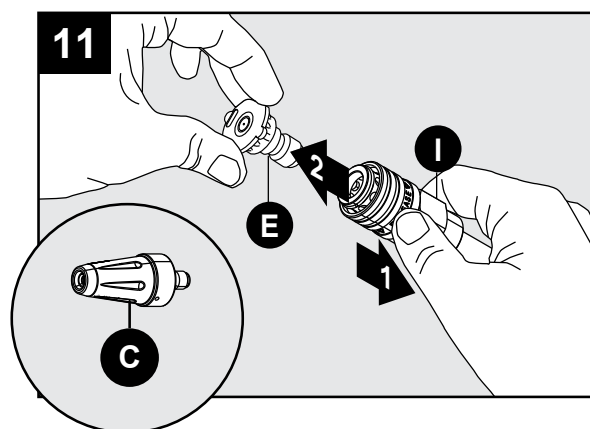
Alors que le pistolet de pulvérisation (K) est en position verrouillée, insérez la lance (I) à l'extrémité du pistolet et tournez-la dans le sens des aiguilles d'une montre jusqu'à ce qu'elle soit bien en place. Pour la retirer, tournez-la dans le sens contraire des aiguilles d'une montre.

## INSTRUCTIONS POUR L'ASSEMBLAGE

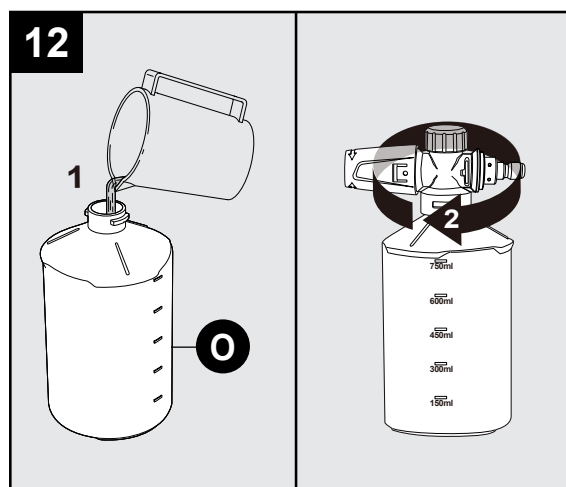


Insérez la buse (E) et buse rotative (C) de votre choix à l'extrémité de la lance (I). Vous devriez entendre un clic indiquant que la buse est bien en place.

**Remarque :** Verrouillez toujours la gâchette lorsque vous remplacez la lance et les buses afin de prévenir leur éjection accidentelle.



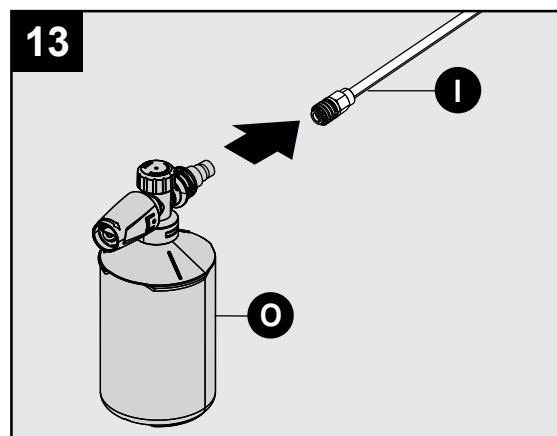
Pour retirer la buse (E) et buse rotative (C), tirez sur le collier de la lance (I), puis retirez la buse.



### Installation de la mousse canon

La mousse canon (O) dispose d'un bouchon haute pression muni d'une paille. Si vous ne voyez pas la paille, regardez à l'intérieur de la mousse canon, puis fixez-la au bouchon haute pression. Au moment d'utiliser mousse canon, remplissez-la avec la quantité d'eau et de détergent indiquée sur la bouteille.

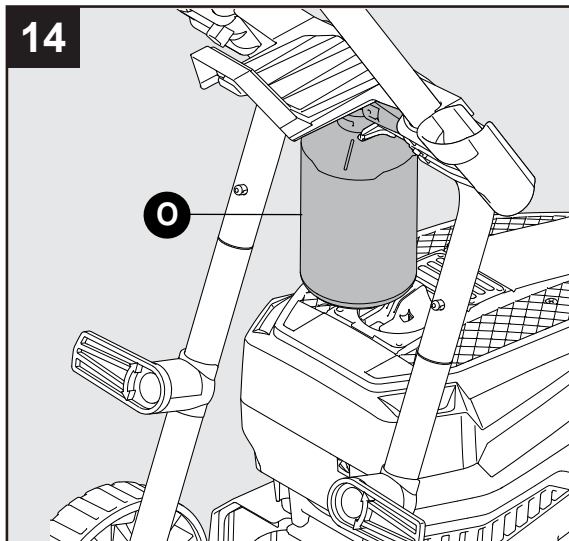
**N'UTILISEZ PAS** un détergent épais ou sous forme de gel. Ceux-ci risquent de boucher la mousse canon et de l'endommager.



Branchez le canon de mousse à CR (O) au bout de la lance en appuyant sur le canon. Vous entendrez un déclic lorsqu'elle est correctement installée.

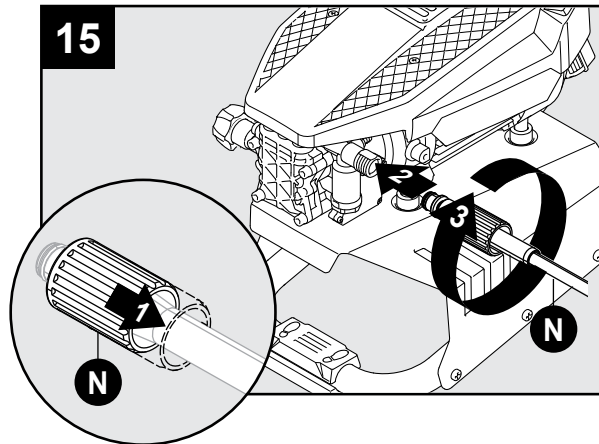
**Remarque :** Verrouillez toujours le pistolet quand vous changez le canon de mousse pour vous assurer qu'il ne sera pas fortement éjecté.

Lorsque vous utilisez le canon de mousse, remplissez le réservoir avec un détergent ou un nettoyant correctement formulé avec un rapport d'eau conforme aux instructions sur le contenant.

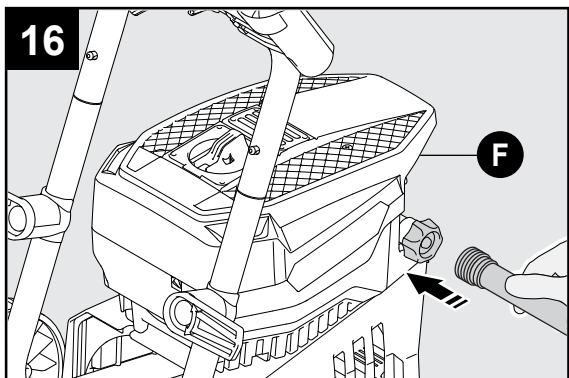


### Stockage Mousse canon

Store la mousse canon (O) à l'arrière de l'unité de la rondelle d'alimentation (F).



Tirez sur le collier à l'autre extrémité du tuyau (N), puis insérez fermement le tuyau dans l'espace prévu à cet effet sur la laveuse à pression. Twist collar to secure. Assurez-vous que le tuyau est bien fixé à la laveuse à pression en tirant légèrement sur le tuyau. Le tuyau est maintenant solidement fixé.

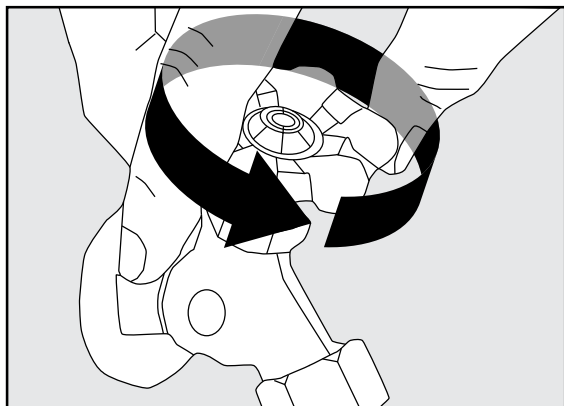


Fixez un tuyau d'arrosage à l'adaptateur intégré pour tuyau d'arrosage. Votre laveuse à pression est maintenant reliée à l'alimentation en eau.

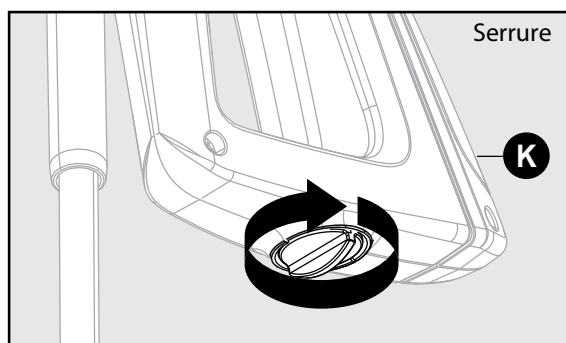
**Remarque :** Débusquer un tuyau d'arrosage avant de brancher adaptateur de tuyau d'arrosage.

Vous avez terminé l'assemblage et êtes prêt à commencer à utiliser votre laveuse à pression électrique. Lisez et suivez toutes les consignes de sécurité.

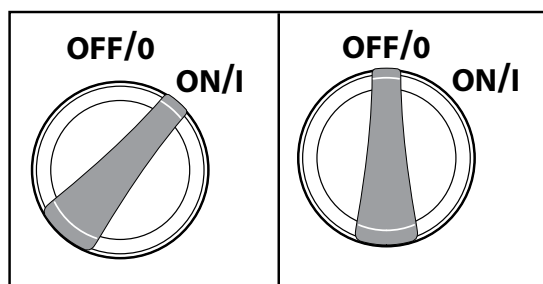
## MODE D'EMPLOI



- Assurez-vous que l'interrupteur est à la position « off » (fermé) (le voyant est éteint).
- Déroulez complètement le cordon d'alimentation et branchez-le sur une prise mise à la terre de 120 volts.
- Allumez l'approvisionnement en eau au robinet à ouvrir complètement.

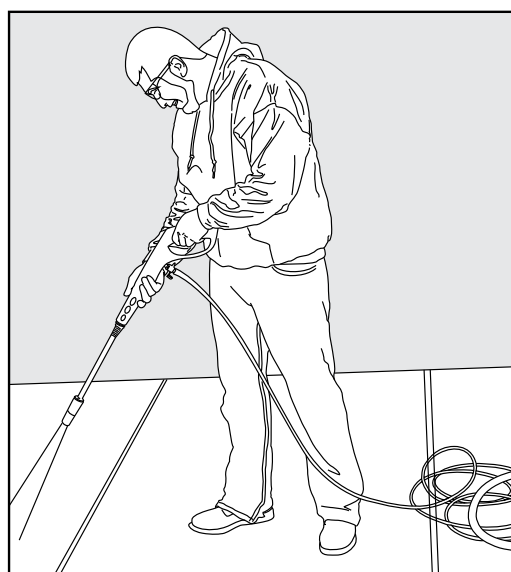


- Tournez le verrou de sécurité sur le pistolet de pulvérisation pour le déverrouiller. Tout en pointant le pistolet de pulvérisation dans une direction sécuritaire, appuyez sur la gâchette du pistolet de pulvérisation jusqu'à ce que le débit d'eau soit constant (laissez l'eau et l'air sortir du tuyau).

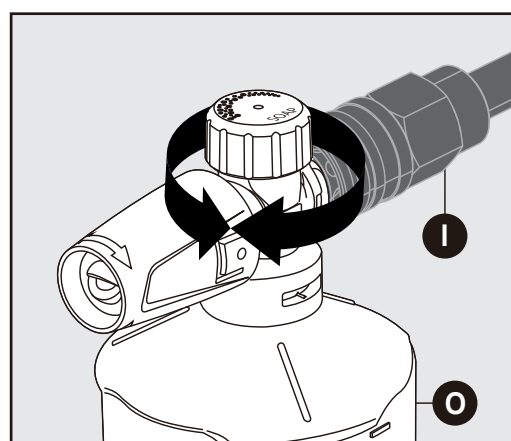


- Placez l'interrupteur à la position « ON » (I). L'appareil se met en marche pendant une à deux secondes et s'arrête. Il s'agit du fonctionnement normal du mode de mise en marche automatique. Appuyez sur la gâchette du pistolet pulvérisateur pour commencer le lavage à pression.

- Appuyer sur la gâchette du pistolet pour commencer le lavage sous pression.
- Lavage de puissance Begin en pressant la gâchette du pistolet vaporisateur tout au fond de la poignée.
- Relâcher la gâchette du pistolet pour arrêter la ronelle de puissance.
- Laisser le moteur s'arrêter complètement avant de presser la gâchette à nouveau.
- Si vous appuyez trop vite sur la gâchette, la fonction de démarrage automatique ratera un cycle, ce qui pourrait empêcher l'appareil de démarrer. Appuyez sur la gâchette lentement et sans hésitation pour éviter ce problème.

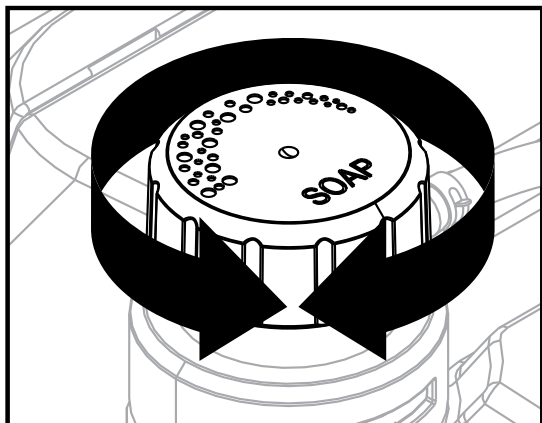


- **Dirigez** d'abord le jet d'eau sur une petite zone de la surface à nettoyer afin de prévenir tout dommage.



### Réglage des niveaux de savon sur le canon en mousse

Tournez le bouton pour régler le niveau de savon comme indiqué sur le dessus du canon en mousse (O). Tournez vers la concentration plus élevée de bulles pour plus de savon, ou la direction opposée pour moins.



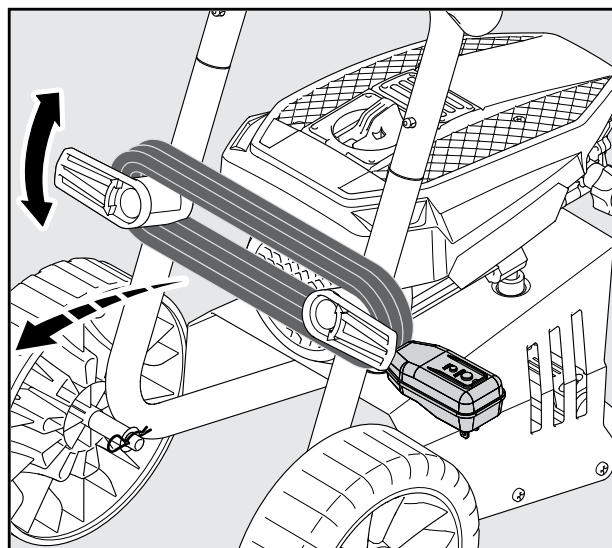
- La laveur à pression éjectera l'eau et le détergent dans une proportion de 10:1, soit dix parts d'eau pour une part de détergent. Il est possible d'ajuster la concentration de détergent en tournant le bouton de détergent sur le dessus de l'appareil. Tournez-le vers la gauche pour augmenter la concentration ou vers la droite pour la réduire.

### Conseils d'utilisation

- **Remarque:** tester le GFCI (Pour l'unité américaine seulement) avant chaque utilisation:
  1. Branchez le GFCI dans la prise de courant. L'indicateur devrait tourner au vert pour montrer que le cordon a la puissance.
  2. Appuyer sur le bouton test, l'indicateur vert doit s'éteindre pour vérifier que le GFCI coupe l'alimentation du cordon.
  3. Appuyer sur le bouton Reset - l'indicateur vert doit s'allumer pour montrer que le cordon est à nouveau alimenté.
  4. lorsque le GFCI fonctionne correctement, l'indicateur vert s'allume lorsque l'alimentation est appliquée. Si l'indicateur vert s'éteint, il a détecté une fuite électrique et le GFCI a coupé l'alimentation de l'appareil.
- Si vous entendez le moteur tourner par intermittence lorsque vous n'appuyez pas sur la gâchette, c'est normal. La pompe s'amorce elle-même afin d'être prête à fonctionner lorsque vous appuyez sur la gâchette. Éteignez la laveur à pression si vous ne l'utilisez pas pendant plus de cinq minutes.
- Les joints toriques sur l'extrémité à baïonnette de la buse doivent être nettoyés régulièrement et lubrifiés à l'aide d'une graisse non soluble dans l'eau, telle que de la gelée de pétrole (non incluse).
- Conservez le fil de nettoyage de la buse pour déboucher la buse. Si vous perdez le fil de nettoyage, vous pouvez utiliser un trombone déplié.

### Comment éviter d'endommager les surfaces

- Des dommages aux surfaces nettoyées surviennent parce que la force d'impact de la pression d'eau dépasse la durabilité de la surface. Par exemple, vous pourriez sans le vouloir creuser du bois brut ou décaper de la peinture. Vous pouvez varier la force de votre laveur à pression en contrôlant :
  1. L'angle du jet par rapport à la surface à nettoyer.
  2. La distance entre la buse et la surface à nettoyer.
- N'utilisez **JAMAIS** un jet d'eau à haute pression étroit sur des surfaces molles susceptibles d'être endommagées.
- Utilisez la buse de 25° à raccord rapide lorsque vous nettoyez des fenêtres. Appuyez sur la gâchette et variez le type et l'angle de jet jusqu'à ce que vous obteniez un nettoyage efficace.



### Utilisation du cordon d'alimentation

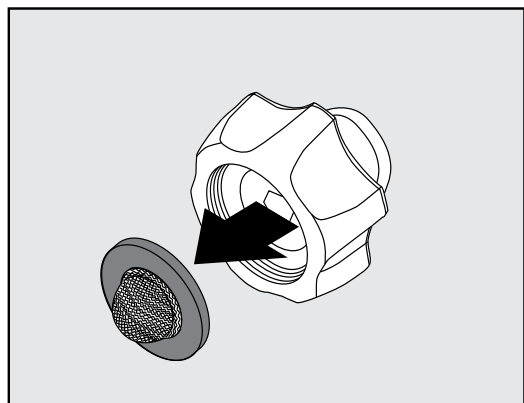
- Retirez le cordon d'alimentation de l'appareil en faisant pivoter le crochet du cordon à gauche ou à droite. Le cordon d'alimentation peut être glissé d'un côté ou de l'autre de la laveur à pression.
- Faites pivoter le crochet du cordon vers le centre lorsque vous êtes prêt à enrouler le cordon aux fins de rangement.

## Détergents

- Utilisez un détergent conçu pour les laveuses à pression. Les quincailleries ou les centres de rénovation proposent également des détergents pour laveuse à pression destinés à des projets de nettoyage particuliers. La solution nettoyante doit avoir la consistance de l'eau afin de prévenir toute obstruction dans le réservoir à détergent et la buse.
- Ce système applique le détergent à une basse pression. La puissance de nettoyage des détergents est d'autant meilleure lorsqu'il est appliqué à basse pression et qu'on lui laisse le temps de désagréger les saletés. La combinaison de la basse pression et de l'action chimique est très efficace, encore plus que le récurage, si elle est appliquée adéquatement. Pulvérisez toujours le détergent sur une surface sèche. Ne mouillez pas la surface à nettoyer avant d'appliquer le détergent. Si vous mouillez la surface d'abord, cela dilue le détergent et réduit sa capacité de nettoyage. Évitez de laisser sécher le détergent sur la surface. Si vous nettoyez une surface verticale, appliquez le détergent de bas en haut afin d'éviter que le détergent ne laisse des coulisses dans la saleté et la crasse. Rincez le détergent à l'aide de la laveuse à pression de bas en haut pour la même raison.
- Si une tache est particulièrement tenace, il peut s'avérer nécessaire d'appliquer de nouveau du détergent et d'utiliser une brosse à poils pour frotter la tache. Repassez un jet d'eau à haute pression sur la tache après l'avoir frottée. Vous devriez ainsi réussir à l'éliminer complètement.

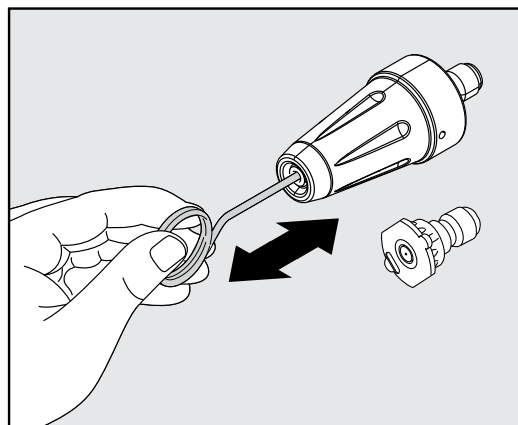
## Nettoyage de l'adaptateur pour tuyau d'arrosage

- L'écran à l'intérieur de l'adaptateur doit être nettoyé périodiquement. Retirez-le en faisant glisser un pouce sur l'écran avec suffisamment de pression pour tirer l'écran et la laveuse. Rincez-le avec de l'eau propre, puis replacez-le dans l'adaptateur.



## Nettoyage des buses

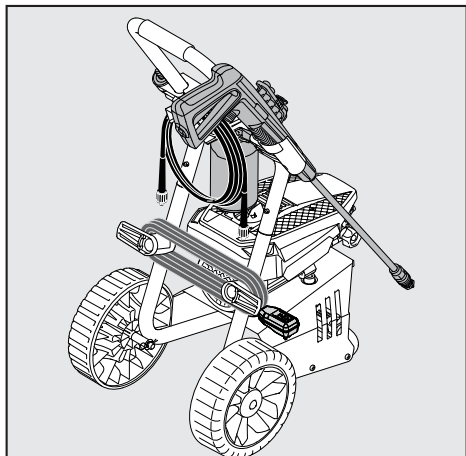
- Si une buse est obstruée ou partiellement obstruée, cela peut entraîner une diminution importante de la pression de l'eau ou une vibration de l'appareil pendant son utilisation.
- Éteignez la laveuse à pression.
- Coupez l'alimentation en eau.
- Évacuez toute la pression emprisonnée dans le tuyau en appuyant sur la gâchette deux ou trois fois, puis verrouillez le pistolet de pulvérisation en tournant le cadran à la position « 3 » et « 9 ».
- À l'aide du fil de nettoyage de buse fourni (ou d'un trombone déplié), nettoyez le trou de la buse en glissant le fil d'avant en arrière jusqu'à ce que les débris se délogent.
- Rincez les buses à l'aide d'un tuyau d'arrosage à la pression la plus élevée possible (utilisez un gicleur standard ou posez votre pouce sur le gicleur pour augmenter la pression de l'eau).



## Rangement

- Lorsque vous avez terminé d'utiliser la laveuse à pression, éteignez l'appareil. Débranchez le cordon d'alimentation de la prise. Fermez l'alimentation en eau. Appuyez sur la gâchette du pistolet de pulvérisation deux ou trois fois pour vider l'excès d'eau et évacuer toute pression résiduelle. Ne laissez pas fonctionner la laveuse à pression si aucune eau n'y circule.
- Retirez le réservoir à détergent et nettoyez-le complètement. Autrement, des résidus chimiques pourraient adhérer à la paroi du réservoir et obstruer l'injecteur de détergent, ce qui l'empêcherait de fonctionner correctement.
- Retirez le tuyau à haute pression du pistolet de pulvérisation et dévissez l'autre extrémité du tuyau de la laveuse à pression. Placez l'arme et lance dans son étui, sur les côtés.

## ENTRETIEN



- Retirez la lance du pistolet. Placez le pistolet dans le support, sur le côté de l'appareil. Assurez-vous de jeter le détergent restant dans le réservoir. Rincez le réservoir et la tête de la buse avec de l'eau propre afin de prévenir les risques d'obstruction.
- Accrochez le cordon d'alimentation autour de la languette en L sur le dessus de l'appareil.

- Le tuyau se range sur le crochet situé à l'arrière de la poignée.
- les buses et de branchement rapide lance rotative sont stockées sur la buse titulaire situés des deux côtés de la machine.
- **Ne rangez pas la rondelle d'alimentation où elle est exposée aux températures de congélation, sauf si vous utilisez un antigel conçu pour les pompes.** Entreposer la rondelle d'alimentation à l'intérieur pour éviter que l'eau de l'appareil ne s'étende dans des conditions de congélation. Lorsque l'eau gèle et se dilate, votre laveuse électrique sera endommagée et deviendra inutilisable. Ou, si vous entreposez à l'extérieur, il est recommandé d'utiliser l'économiseur de pompe (non inclus) pour protéger les pompes.

## PROTECTEUR DE POMPE

**Le protecteur de pompe** est un produit qui protège et prolonge la vie de la pompe. Les pièces internes de la pompe resteront ainsi lubrifiées et protégées du gel lors de leur entreposage, peu importe le climat. Il aide également à protéger l'appareil de la corrosion interne. Le numéro de pièce Blue Clean est le : PW64511 (bouteille 16 oz). Commandez en ligne au [www.arblueclean.com](http://www.arblueclean.com)

### Instructions relatives au protecteur de pompe

Suivez les instructions d'entreposage de la laveuse à pression. Pour prévenir les taches, protégez la surface qui se trouve sous la laveuse à pression de tout excès de liquide. Portez une protection oculaire lorsque vous utilisez ce produit.

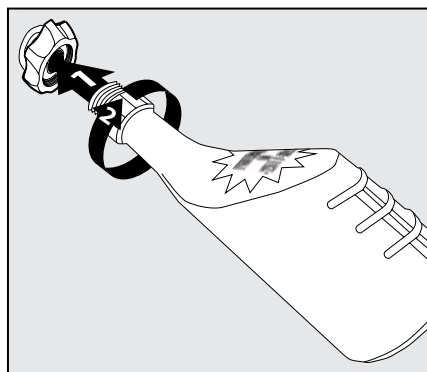
Éteignez l'appareil et débranchez le pistolet avant d'ajouter le protecteur de pompe. Dévissez le goulot fileté de la bouteille pour retirer le joint d'étanchéité et fixez-le de nouveau à la bouteille.

Retirez le capuchon noir de la bouteille.

- 1) haut Place de la bouteille de veille pompe sur le jardin adaptateur.

- 2) fixer flacon de veille pompe en tournant dans un sens horaire direction.
- 3) allumer le moniteur.
- 4) Presser la bouteille pour l'aider dans la pompe.
- 5) Éteignez l'appareil lorsque l'économiseur de la pompe quitte la sortie d'eau de la machine.

**Remarque :** Les instructions qui s'affichent sur la bouteille du protecteur de pompe sont génériques et non spécifiques à ce modèle.





Pour toute question relative au produit, communiquez avec le service à la clientèle au 1-866-235-5112.

PROBLÈME	MESURE CORRECTIVE
L'appareil ne s'allume pas.	<ol style="list-style-type: none"> <li>1. Assurez-vous que la laveuse à pression est ÉTEINTE. Branchez le cordon d'alimentation sur une prise mise à la terre de 120 volts (aucune rallonge électrique ne doit être utilisée). Si vous ne parvenez pas à brancher le cordon d'alimentation sur la prise, cette dernière n'est pas correctement mise à la terre et ne doit pas être utilisée. Utilisez une autre prise.</li> <li>2. Si le problème n'a pas été résolu, essayez une autre prise de courant et répétez la procédure. Si vous ne trouvez pas de solution, appelez le service à la clientèle au 1-866-235-5112</li> </ol>
Je suis incapable de raccorder le tuyau à haute pression au pistolet de pulvérisation. Le problème est-il lié au pistolet de pulvérisation?	<ol style="list-style-type: none"> <li>1. Dans la plupart des cas, le pistolet de pulvérisation n'est pas le problème. Le problème est le manchon en caoutchouc qui recouvre le raccord à l'extrémité du tuyau à haute pression. Il a probablement glissé vers l'embout en métal. Pour corriger le problème : remuez, tournez et tirez le manchon en caoutchouc vers le bas jusqu'à ce que la totalité de l'embout soit visible, plus trois millimètres du raccord en métal sous l'embout. Maintenant, essayez d'insérer l'extrémité du tuyau dans le pistolet de pulvérisation. Il devrait s'enclencher en place. Vous ne devriez pas être en mesure de le retirer sauf si vous dévissez le collier sous le pistolet. Vous pouvez couper l'extrémité du manchon de l'aide d'un couteau affûté s'il vous est impossible de déplacer le manchon vers le bas. Prenez soin de ne pas couper ni perforer le tuyau.</li> </ol>
L'appareil est en marche, mais il n'y a pas de débit d'eau.	<ol style="list-style-type: none"> <li>1. la puissance ne doit pas être mise en marche tant que l'eau ne passe pas par le pistolet pulvérisateur. Cela va endommager le moteur.</li> <li>2. vérifier la source d'eau.</li> <li>3. éjecter la buse de la lance pour déterminer si le sabot provient de la buse (si la buse est obstruée, voir les instructions de nettoyage de la buse sous «buses de nettoyage»).</li> <li>4. Enlevez la lance et vaporisez-la à l'extérieur du pistolet pulvérisateur. Cela indiquera si le problème est avec la lance.</li> <li>5. Vérifiez l'adaptateur de tuyau de jardin pour une connexion lâche et le filtre pour les débris.</li> </ol>
Pourquoi de l'eau fuit-elle à l'endroit où le tuyau à haute pression se raccorde au pistolet de pulvérisation?	<ol style="list-style-type: none"> <li>1. Assurez - vous qu'il y a un joint torique en fin de métal au bout du tuyau de haute pression. si aucun joint torique est présent, le lien entre le tuyau et le pistolet de pulvérisation, fuit. remplacement du joint torique kit (D) est inclus à l'achat.d'autres troussees sont disponibles en ligne à l'<a href="http://www.arblueclean.com">www.arblueclean.com</a> joint torique ou appeler le service à la clientèle de 1-866-235-5112 à commander.</li> </ol>
Je ne peux pas retirer la lance du pistolet de pulvérisation. Que faire?	<ol style="list-style-type: none"> <li>1. Toutes les lances se raccordent au pistolet de pulvérisation de la même façon. Insérez l'extrémité de la lance dans le pistolet de pulvérisation. Appuyez sur le pistolet de pulvérisation et la lance (pour enfoncer la lance d'environ 0,32 cm), puis tournez le collier dans le sens des aiguilles d'une montre. La lance s'enclenchera en place. Retirez la lance en procédant de la manière inverse. Appuyez sur le pistolet de pulvérisation et la lance, puis tournez le collier dans le sens contraire d'une montre. La lance glissera.</li> <li>2. Tenez le pistolet de pulvérisation et la lance en position verticale, avec l'extrémité de la buse sur le plancher. Poussez sur l'ensemble afin de desserrer le raccord. Effectuez une nouvelle fois les étapes pour retirer la lance. Vous pouvez également pulvériser de l'eau savonneuse ou un lubrifiant dans la zone où la lance est raccordée au pistolet de pulvérisation.</li> </ol>

## DÉPANNAGE

PROBLÈME	MESURE CORRECTIVE
La laveuse à pression se met en marche pendant deux secondes, s'éteint et ne se rallume pas. Mon appareil est-il défectueux?	<ol style="list-style-type: none"><li>1. Lorsque l'alimentation en eau est raccordée, que les accessoires sont bien assemblés et que l'appareil est sous tension, la laveuse à pression s'allume pendant une ou deux secondes pour amorcer la pompe. Elle s'éteint automatiquement jusqu'à ce que vous appuyiez sur la gâchette du pistolet de pulvérisation. Lorsque vous appuyez sur la gâchette, l'eau commence à circuler dans la pompe. Le capteur d'eau dans la pompe « détecte » le déplacement de l'eau et allume automatiquement la laveuse à pression.</li><li>2. Coupez l'alimentation électrique tout en maintenant enfoncée la gâchette du pistolet de pulvérisation afin d'obtenir un débit d'eau constant. Tout en gardant la gâchette enfoncée, rétablissez l'alimentation électrique.</li></ol>

## GARANTIE LIMITÉE

La garantie de ce produit est couverte par A.R.North America.

Ce produit a une garantie de 2 (deux) ans. S'il vous plaît lire attentivement ce qui suit pour comprendre ce que chaque garantie implique:

Ce produit est sous garantie pour le consommateur au détail original contre les défauts de matériaux et de fabrication pour une période d'un (1) an et est un «pare-chocs à pare-chocs» complète garantie, y compris le pistolet, le flexible haute pression et tous les accessoires de la date d'achat. La garantie est non transférable ni cessible. Cette garantie couvre les pièces de rechange. Cette limite un an de garantie applicable uniquement aux produits utilisés dans les applications grand public et est nul dans la location ou toute autre application commerciale. Un soin raisonnable doit être utilisé en conformité avec les instructions d'exploitation et de maintenance en guide de démarrage manuel et rapide du propriétaire. Le non-respect de ces instructions annulera cette garantie. Cette garantie vous donne des droits légaux spécifiques et vous pouvez également avoir d'autres droits qui varient d'un État à État.

La deuxième année de la garantie ne couvre que les défauts de fabrication.

### Processus de garantie

Conservez votre reçu d'achat original en cas de réclamation de garantie.

Si la laveuse à pression présente un problème, communiquez avec le service à la clientèle :

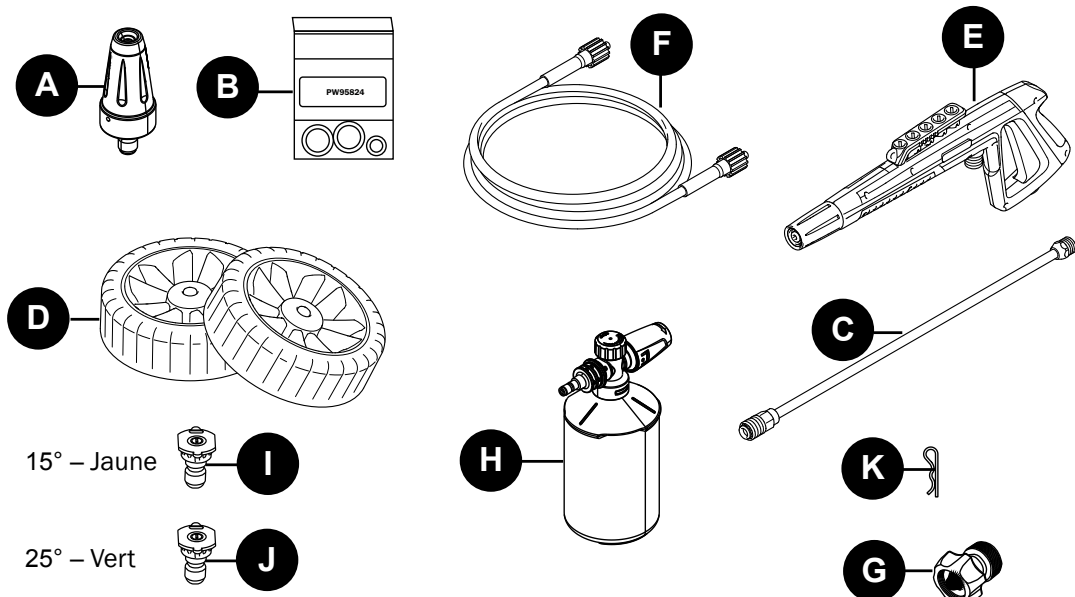
- Composez le numéro sans frais 1-866-235-5112. Le service à la clientèle est disponible du lundi au vendredi de 8 h à 17 h heure normale du centre (HNC). Un représentant du service à la clientèle travaillera avec vous pour résoudre le problème.

Si la laveuse à pression doit être retournée en vue d'une réparation, les coûts d'expédition sont à la charge du client. Un **numéro d'autorisation de retour de marchandise** sera émis pour le retour. Sur réception de la laveuse à pression, la compagnie réparera ou remplacera l'appareil. Nous vous retournerons l'appareil sans frais.

Veuillez prendre note : Les laveuses à pression expédiées à la compagnie **sans numéro RMA ne seront PAS acceptées** et elles seront retournées au frais de l'expéditeur.

## LISTE DES PIÈCES DE RECHANGE

Pour les pièces de rechange, communiquez avec le service à la clientèle au numéro 1-866-235-5112, 8 h à 17 h, HNC, du lundi au vendredi ou commandez en ligne à l'adresse [www.arbluclean.com](http://www.arbluclean.com).



PIÈCE	DESCRIPTION	NO DE PIÈCE
A	Buse rotative	PW4222800
B	Kit de remplacement de joint torique	PW4222450
C	Lance d'extension	PW4222950
D	Roues	PW4980120
E	Pistolet de pulvérisation	PW4221764
F	Tuyau à haute pression	PW4222420

PIÈCE	DESCRIPTION	NO DE PIÈCE
G	Adaptateur pour tuyau d'arrosage	PW4221600
H	Canon mousse haute pression	PW4620265
I	Buse de 15° à raccord rapide	PW4222650
J	Buse de 25° à raccord rapide	PW4222660
L	Goupille fendue	PW4620380

Imprimé en Chine

# 2300 PSI BLUE MAXX


HIGH PRESSURE WASHER

## LAVADORA A PRESIÓN ELÉCTRICA

### INSTRUCCIONES DE MONTAJE, CUIDADO Y USO Modelo BMXP32300

LEA CUIDADOSAMENTE

**IMPORTANTE:** GUARDE ESTAS INSTRUCCIONES Y ADJUNTE EL RECIBO AL MANUAL PARA FUTURAS REFERENCIAS.

 **PRECAUCIÓN:** Este producto puede exponerte a químicos tales como Plomo, DEHP, DINP los cuales según el Estado de California pueden causar cáncer y/o problemas al nacimiento. Para más información ir a [www.P65Warnings.ca.gov](http://www.P65Warnings.ca.gov)



#### ¿Preguntas, problemas, piezas faltantes?

Antes de regresar a tu minorista, llame al (1-866-235-5112) o correo electrónico ([info@arnorthamerica.com](mailto:info@arnorthamerica.com)) a nuestro Departamento de servicio al cliente. Están disponibles a partir de las 8:00 a.m. - 5:00 p.m., CST, de lunes a viernes. [www.arblueclean.com](http://www.arblueclean.com)

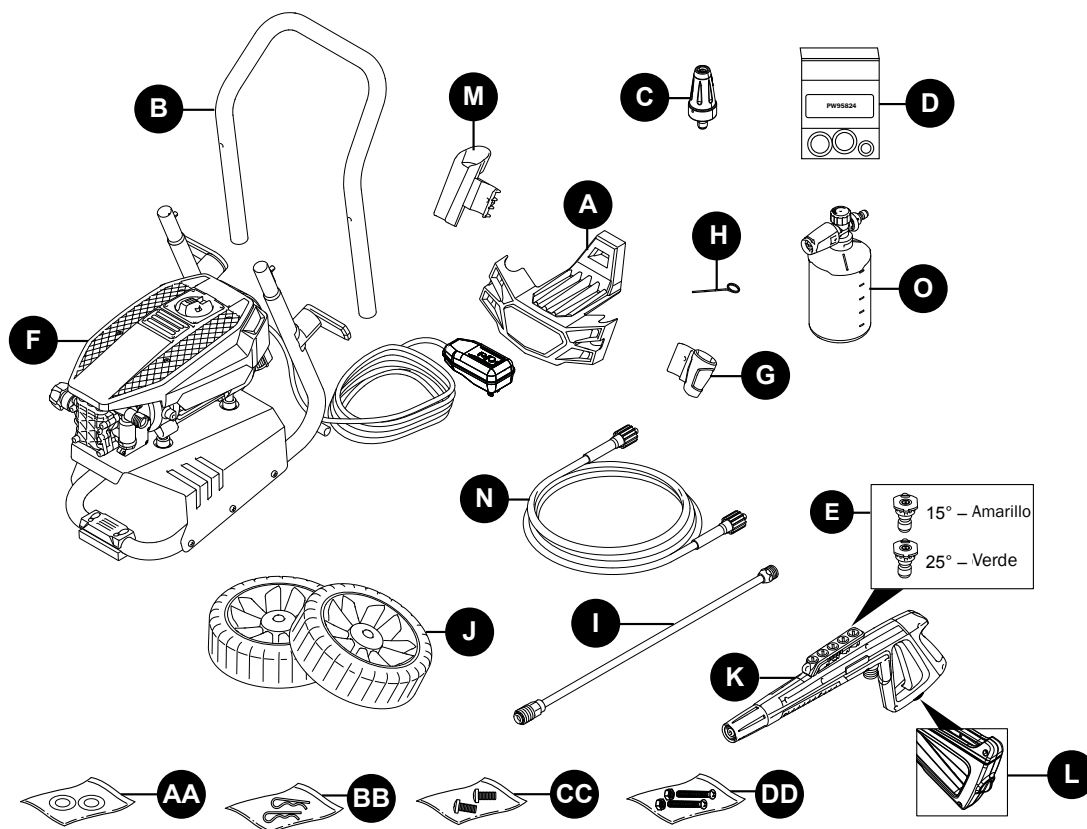
## TABLA DE CONTENIDO

Especificaciones del producto.....	37
Contenido del paquete .....	38
Aditamentos .....	38
Información de seguridad.....	39
Instrucciones de montaje.....	41
Instrucciones de operación .....	46
Cuidado y mantenimiento .....	48
Protector de la bomba .....	49
Solución de problemas .....	50
Garantía limitada .....	51
Lista de piezas de repuesto .....	52

## ESPECIFICACIONES DEL PRODUCTO

ESPECIFICACIONES									
Modelo	Máx. PSI (kg/cm <sup>2</sup> ) (lb/pulgada <sup>2</sup> )	Clasificada PSI (kg/cm <sup>2</sup> ) (lb/pulgada <sup>2</sup> )	Máx. GPM (Litro/min) (gal/por min)	Clasificada GPM (Litro/min) (gal/por min)	Agua fría	Voltios	Frecuencia (Hz)	Amperios	Peso (kg) (lb)
BMXP32300	6730 (2300)	5706 (1950)	5.7 (1.5)	4.2 (1.1)	✓	120	60	13	25.1 (55.3)

## CONTENIDO DEL PAQUETE



PIEZA	DESCRIPCIÓN	CANTIDAD
A	Soporte para la manguera	1
B	Mango	1
C	Boquilla rotativa	1
D	Kit de recambio de junta tórica	1
E	Boquillas de conexión rápida	2
F	Lavadora de alimentación	1
G	Portaboquillas giratorias	1
H	Alambre de limpieza del inyector	1
I	Lanza de extensión	1

PIEZA	DESCRIPCIÓN	CANTIDAD
J	Ruedas	2
K	Arma de aerosol	1
L	Cerradura de gatillo de pistola	1
M	Funda de pistola	1
N	manguera de presión alta	1
O	Cañón de espuma de alta presión	1
AA	Cuñas	4
BB	Pasador de chaveta	2
CC	Tornillos	2
DD	Tornillos	2

## ADITAMENTOS



**AA** Cuñas  
Cant. 4



**BB** Pasador de chaveta  
Cant. 2



**CC** Tornillos  
Cant. 2



**DD** Tornillos  
Cant. 2

## INFORMACIÓN DE SEGURIDAD

Por favor lea y entienda todo este manual antes de intentar ensamblar y operar el producto.

Este manual contiene información relacionada con la PROTECCIÓN DE LA SEGURIDAD PERSONAL y la PREVENCIÓN DE PROBLEMAS DEL EQUIPO. Es muy importante que lea atentamente este manual y que lo comprenda completamente antes de utilizar el producto. Los símbolos que se describen a continuación se utilizan para indicar esta información.



### PELIGRO

Peligro potencial que **puede provocar lesiones graves o incluso la muerte.**



### ADVERTENCIA

Peligro que **podría provocar lesiones graves o incluso la muerte.**



### PRECAUCIÓN

Peligro potencial que **puede provocar lesiones moderadas o daños al equipo.**

**Nota:** La palabra “Nota” se utiliza para informar al lector de algo que el operador debe saber acerca de la herramienta.



### ADVERTENCIA

Para reducir el riesgo de lesiones, el usuario debe leer y comprender las instrucciones antes de utilizar este producto.

1. Advertencia: al utilizar este producto, siempre se deben seguir las precauciones básicas, incluido lo siguiente:
2. Lea todas las instrucciones antes de usar el producto.
3. Obtenga el conocimiento de cómo detener el producto y purgar la presión rápidamente. Esté completamente familiarizado con los controles.
4. Mantenga el área de operaciones sin personas.
5. No se estire demasiado ni se pare sobre un soporte inestable. Mantenga una buena posición y el equilibrio en todo momento.
6. Siga las instrucciones de mantenimiento como se especifica en el manual.
7. Para evitar lesiones personales o daños a la propiedad y para maximizar su experiencia con la lavadora a presión, siga cuidadosamente todos los consejos de seguridad, instrucciones, advertencias y salvaguardias, y familiarícese con todos los controles.
8. Esta lavadora a presión cumple con las normas de la Asociación de Normas Canadiense (CSA) y otras normas de seguridad y del consumidor. **NO** modifique o reconstruya ninguna pieza de la lavadora a presión.
9. **NO** utilice la lavadora a presión cuando se encuentre bajo la influencia del alcohol o de drogas. Utilice esta herramienta a presión cuidadosamente y solo cuando esté atento.
10. Cuide su equilibrio y postura al utilizar la lavadora a presión. Las superficies se vuelven resbaladizas al mojarse y son extraordinariamente resbaladizas al usar un detergente o limpiador.
11. **NUNCA** opere la lavadora a presión descalzo, con sandalias o zapatos abiertos.
12. Cuando utilice la lavadora a presión cerca de niños, asegúrese de que estén siendo supervisados de cerca por un adulto para evitar lesiones. **NUNCA** permita que un niño utilice la lavadora a presión.
13. Mantenga los dedos, las manos, los pies y cualquier parte del cuerpo a distancia de la corriente de agua de alta presión. El rociador de alta potencia puede ocasionar ceguera o hacer estallar la piel. Puede romper una ventana si se encuentra demasiado cerca al accionar el gatillo de la pistola rociadora.
14. **SIEMPRE** utilice gafas de protección para evitar lesiones a los ojos al operar la lavadora a presión.
15. Para evitar accidentes o lesiones, **SIEMPRE** use el bloqueo de seguridad del gatillo cuando no utilice la lavadora a presión, incluso si la rociadura se detiene por un momento.
16. La lavadora a presión está equipada con un interruptor de circuito por falla a tierra (GFCI) (Sólo para unidades de EE. UU.), que reduce en gran medida el riesgo de una descarga eléctrica mientras la unidad está en uso. Si es necesario reemplazar el conector o el cable, utilice solo piezas de repuesto idénticas.
17. Apunte la pistola rociadora en una dirección segura al iniciar una sesión de lavado a presión.
18. **ADVERTENCIA-NUNCA** rocíe directamente a una persona, animal, dispositivo eléctrico ni rocíe la propia unidad.
19. Cuando use la pistola de rociadora, sostenga la pistola rociadora y la lanza con las dos manos cuando tire del gatillo (una mano para tirar el gatillo y la otra para estabilizar el ensamble de la pistola) hasta que se acostumbre al “retroceso” de la pistola rociadora.
20. Al presionar el interruptor de alimentación para apagar la lavadora a presión, la presión del agua puede quedarse en el sistema. Para descargar la presión, apunte la pistola rociadora en una dirección segura y tire el gatillo.
21. **NUNCA** rocíe líquidos inflamables.
22. **NUNCA** use la lavadora a presión en áreas que contengan polvo, líquidos o vapores combustibles.
23. Evite el contacto de la manguera de presión con objetos afilados e inspeccione la manguera con regularidad. Reemplace si se daña. Debido a la alta presión implicada, no se puede reparar si se corta o daña.
24. Solo use el detergente formulado específicamente para

## INFORMACIÓN DE SEGURIDAD

lavadoras a presión y siga las instrucciones en la etiqueta del detergente.

25. Proteja los ojos, los pulmones y la piel de la exposición al detergente.
26. **ADVERTENCIA**-Si se hace la conexión a un sistema de agua potable, el sistema debe estar protegido contra el refluo.

### **PRECAUCIÓN**

Almacene la lavadora a presión bajo techo para evitar que el agua en la unidad se expanda en condiciones muy frías. Al congelarse y expandirse el agua, la lavadora a presión se dañará y dejará de funcionar. O bien, si se almacena al aire libre, se recomienda que utilice el protector de la bomba (no incluido) para proteger las bombas.

27. **NUNCA** use agua caliente con la lavadora a presión. Esto sobrecalentará y dañará la bomba de presión alta.
28. **NUNCA** abandone la lavadora a presión mientras está encendida "ON".
29. **SIEMPRE** abra el suministro de agua "ON" antes de conectar la alimentación de la lavadora a presión en "ON". Poner en funcionamiento la bomba en seco ocasionará daños en los componentes internos.

30. **NUNCA** utilice para la lavadora a presión un suministro de agua que exceda los 150 PSI máximo.
31. **NUNCA** desconecte la manguera de presión alta de la lavadora a presión mientras se presuriza el sistema.
32. **NUNCA** enganche de manera permanente los dispositivos del gatillo de la pistola rociadora.
33. **NUNCA** opere la lavadora a presión a menos que todos los componentes estén conectados de manera correcta y segura.
34. **NUNCA** permita que la bomba de la lavadora a presión funcione por más de un minuto después de cerrar el suministro de agua. Esto puede ocasionar que el motor y la bomba se sobrecalienten y fallen.
35. **NUNCA** utilice lanzas ni otras piezas que no sean compatibles con esta unidad AR BLUE MAXX específica.
36. **NUNCA** utilice un cable de alimentación de extensión debido a que este anula la efectividad del GFCI (Sólo para unidades de EE. UU.) e incrementa la posibilidad de electrocutar al operador.
37. **NUNCA** rocíe las tomas de corriente con la lavadora a presión.
38. Inspeccione el cable de alimentación antes de utilizarlo. **NO** lo utilice si está dañado.
39. Manténgase alerta-observe lo que está haciendo.

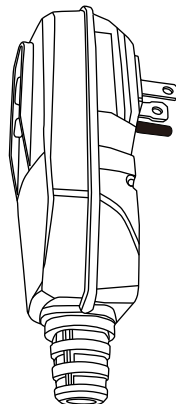
## CONSERVE ESTAS INSTRUCCIONES PARA FUTURAS CONSULTAS.

Protección del interruptor de circuito de avería de tierra (Sólo para unidades de EE. UU.):

Esta lavadora a presión está provista de un interruptor de circuito de falla a tierra (GFCI) incorporado en el enchufe del cable de suministro de energía. Este dispositivo proporciona protección adicional contra el riesgo de descarga eléctrica. En caso de que sea necesario reemplazar el enchufe o el cable, utilice únicamente piezas de repuesto idénticas que incluyan protección GFCI.

Este producto debe estar conectado a tierra. Si falla o avería, la conexión a tierra proporciona una ruta de menor resistencia para la corriente eléctrica para reducir el riesgo de descarga eléctrica. Este producto está equipado con un cable que tiene un conductor de puesta a tierra del equipo y un enchufe de conexión a tierra. El enchufe debe enchufarse en un tomacorriente apropiado que esté correctamente instalado y conectado a tierra de acuerdo con todos los códigos y ordenanzas locales.

Peligro – la conexión incorrecta del conductor de puesta a tierra del equipo puede resultar en un riesgo de electrocución. Consulte con un electricista o personal de servicio de qualified si tiene dudas sobre si el tomacorriente está debidamente conectado a tierra. No modifique el enchufe provisto con el producto – si no fit el tomacorriente, tenga un tomacorriente apropiado instalado por un electricista qualified. No utilice ningún tipo de adaptador con este producto.



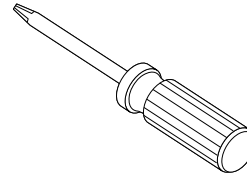


## PREPARATION

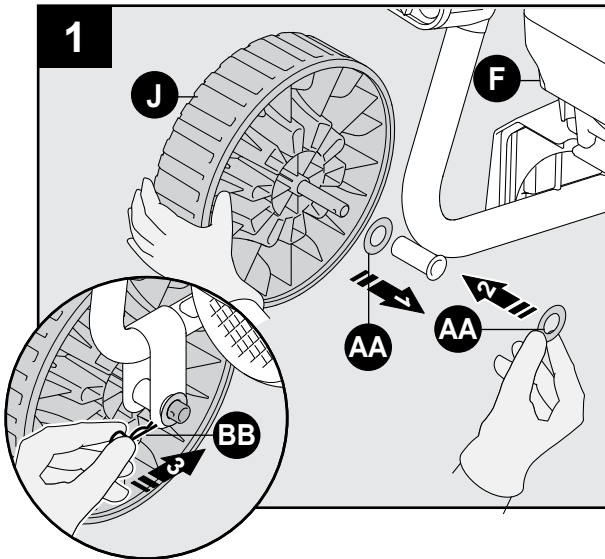
Antes de comenzar el montaje del producto, asegúrese de que todas las partes están presentes. Comparar piezas con listado de paquetes de contenido y lista de contenido de hardware. Si cualquier pieza falta o está dañado, no intente montar el producto. Por favor llame al servicio al cliente al 1-866-235-5112. Las piezas de repuesto se enviarán sin cargo.

Tiempo estimado de montaje: 5 minutos.

Herramientas necesarias para el montaje (no incluido):  
Destornillador Phillips.

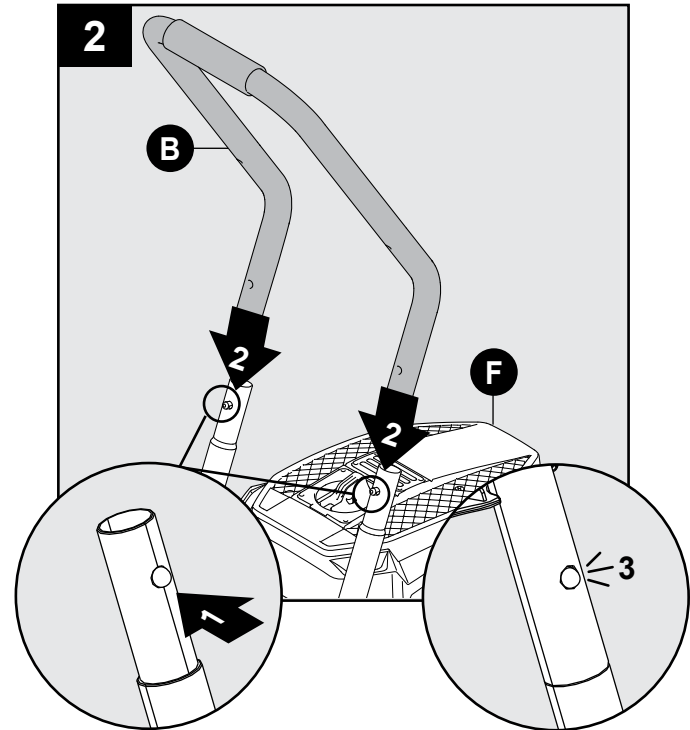


## INSTRUCCIONES DE MONTAJE



### Ensamblaje del rueda

Instale cuñas (AA) y ruedas (J) para unidad de la lavadora a presión (F). Fíjelos con pasadores de chaveta (BB).



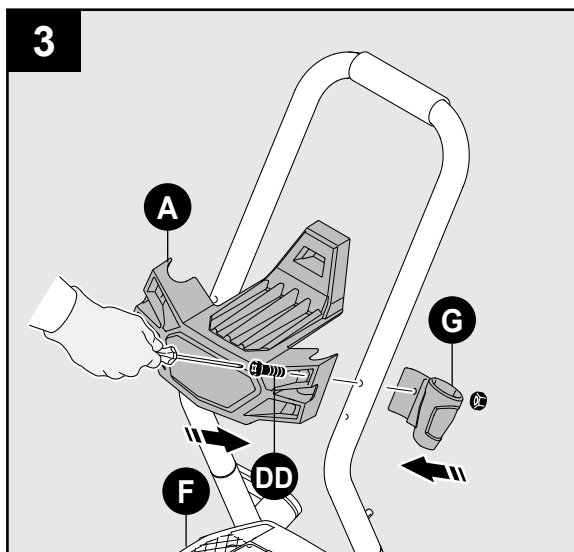
### Aditamentos que se utilizan:

**AA** Cuñas  x 2

**BB** Pasador de chaveta  x 2


Pulse los botones de la arandela de alimentación (F) y instale el asa (B). la arandela de potencia unit (F) hará clic cuando el mango está en la posición correcta.

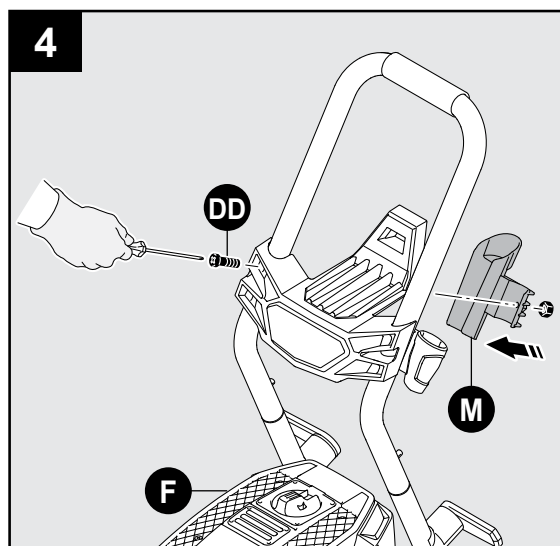
## INSTRUCCIONES DE MONTAJE



Instale el soporte de la boquilla giratoria (G) y un lado del gancho de la manguera (A) para alimentar la arandela (F). Fije con tornillo (DD).


### Aditamentos que se utilizan:

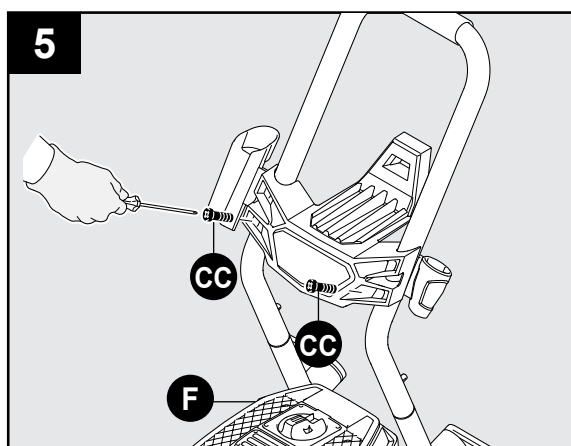
**DD** Tornillo  x 1



Instale la funda de la pistola de pulverización (M) y otro lado del gancho de la manguera (A) para alimentar la arandela (F). Fije con tornillo (DD).

### Aditamentos que se utilizan:

**DD** Tornillo  x 1

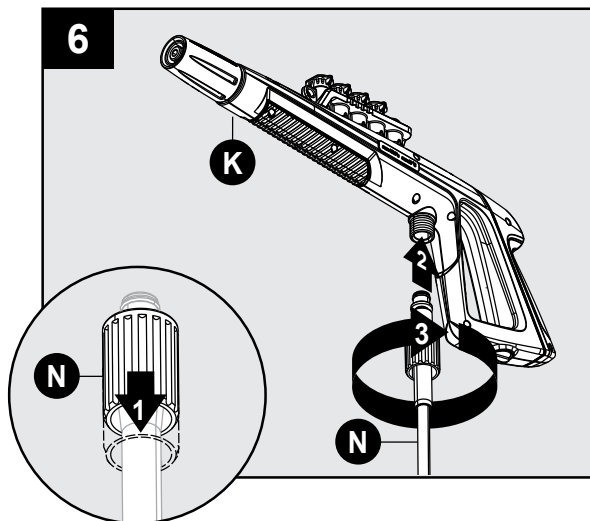


Fije la parte inferior del gancho de la manguera (A) en la unidad de arandela de potencia (F). Asegurar con tornillos (CC).

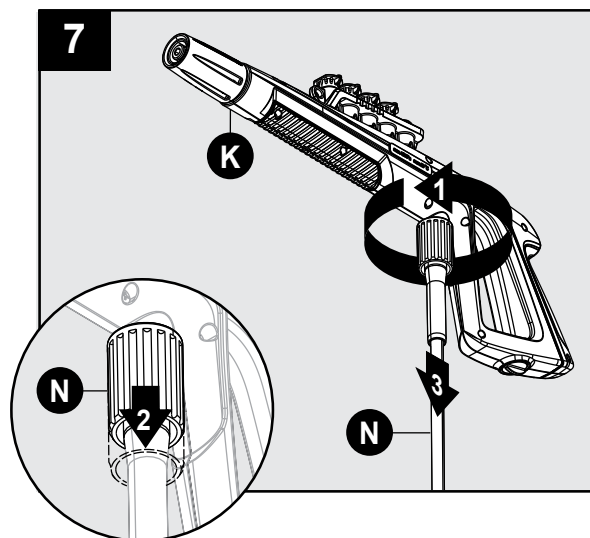
### Aditamentos que se utilizan:

**CC** Tornillos  x 2

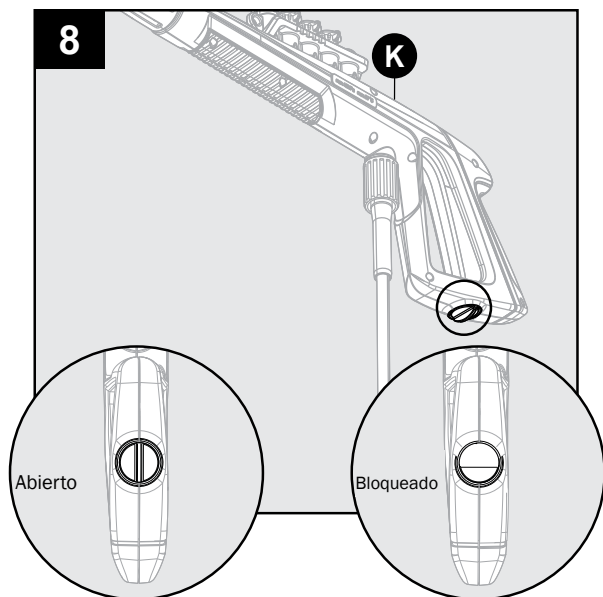
## INSTRUCCIONES DE MONTAJE



Tire hacia atrás de cuello en un extremo de la manguera (N). Empuje firmemente para conectar manguera para pistola (K). Gire el collar para garantizar. Confirman que la manguera esté pistola tirando ligeramente de ellas. Ahora la manguera esté unida correctamente al pistola rociadora.



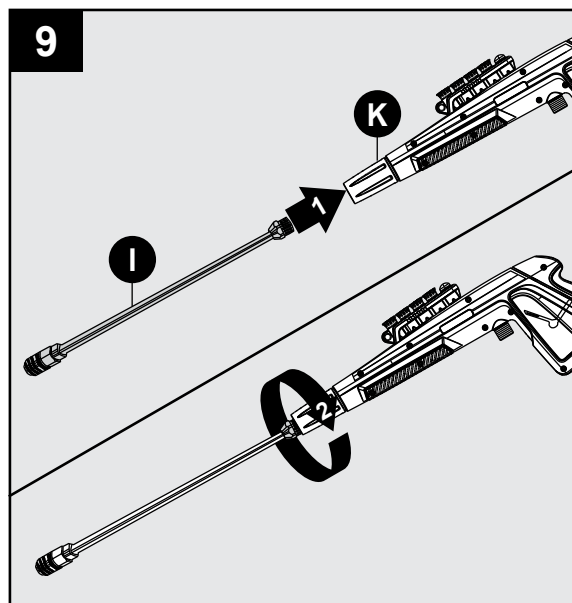
Giro cuello y tirar de nuevo para liberar el alto conexión de la manguera (N) presión de la pistola (K).



### Pistola de cierre (antes de la instalación de la lanza)

Cerradura de gatillo de pistola (K), apunte la pistola lejos de usted y gire a la cerradura (posición "3" y "9"). Apretar o tirar de gatillo para asegurarse de que está bloqueado. SIEMPRE dejar en posición cerrada cuando no esté en uso. Esto asegura que el arma está en modo "seguro" hasta que esté listo para su uso. Gire el dial para desbloquear (posición "12" y "6") para liberar el gatillo de la pistola.

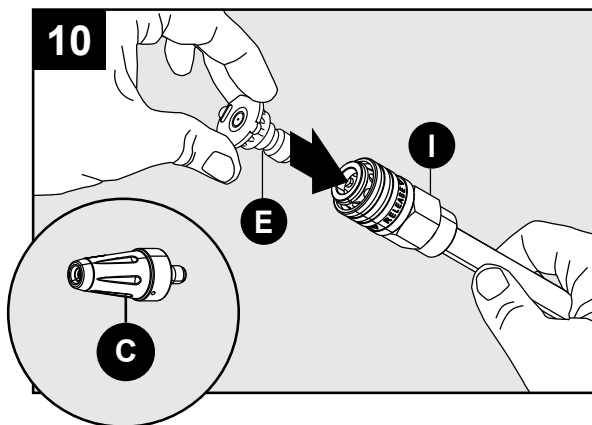
**Nota:** El seguro del gatillo impide gatillo enganchado accidentalmente.



### Instalación de la lanza

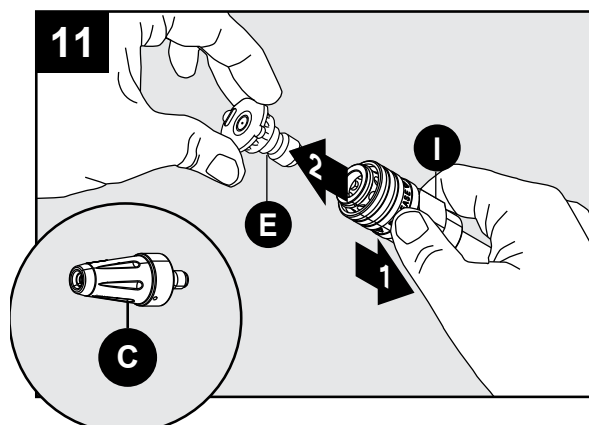
Mientras la pistola rociadora (K) está en la posición bloqueada, inserte la lanza (I) en el extremo de la pistola rociadora insertando y girando hacia la derecha hasta que esté completamente en su lugar. Para retirar gire hacia la izquierda.

## INSTRUCCIONES DE MONTAJE

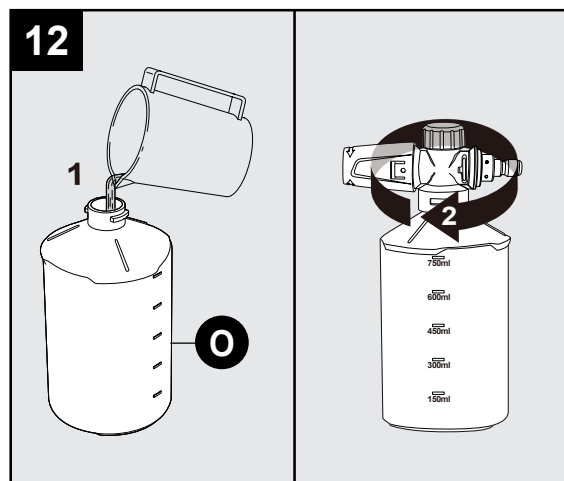


Acople boquilla (E) y el nozzle (C) rotatorio en el extremo de la lanza (I) presionando la boquilla seleccionada en su lugar. Va a hacer un “clic” de sonido cuando firmemente en su lugar.

**Nota:** Siempre Presione el botón de bloqueo de seguridad para bloquear el disparador cuando cambie de lanzas y boquillas para asegurarse de que no accidentalmente expulsar con fuerza durante la extracción.



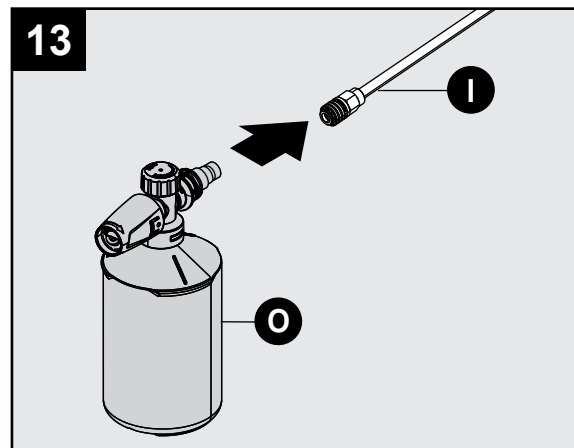
Para quitar la boquilla (E) y la boquilla rotatoria (C), tire hacia atrás el collar de la lanza (I) y tire de la boquilla.



### Instalación de la espuma del cañón

La espuma del cañón (O) viene con una pajilla que se adapta en la tapa con presión alta. Si no ve la pajilla, mire dentro de la espuma del cañón y acóplela en la tapa con presión alta. Cuando use la espuma del cañón, llénela con un detergente o limpiador formulado apropiadamente con una proporción de agua de acuerdo a las instrucciones en el envase.

**NO** use detergentes espesos ni de tipo gel ya que obstruirán la espuma del cañón y podrían ocasionar daños.

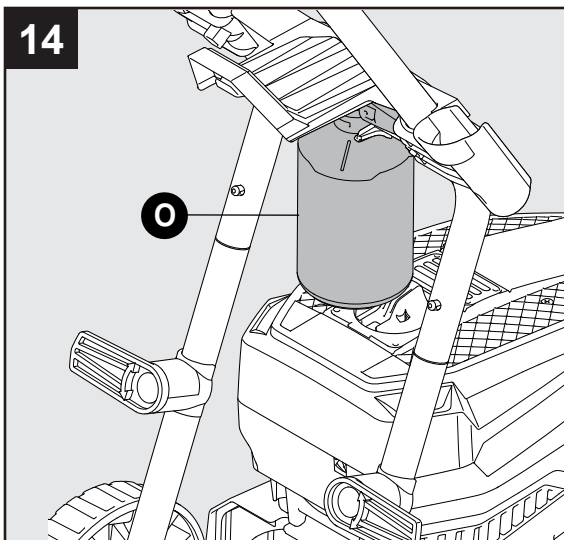


Fije el cañón de espuma con QC (O) al extremo de la lanza presionando el cañón en su lugar. Debe sonar un “clic” con el ajuste firme.

**Nota:** Siempre trabe la pistola aspersora cuando cambie el cañón de espuma para asegurarse de que salga eyectado con la fuerza.

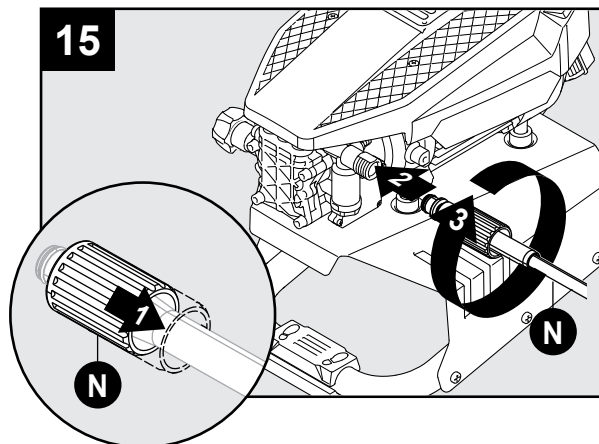
Quando utilice el cañón de espuma, equípela con un detergente o limpiador adecuadamente formulado con la relación de agua según las instrucciones del recipiente.

## INSTRUCCIONES DE MONTAJE

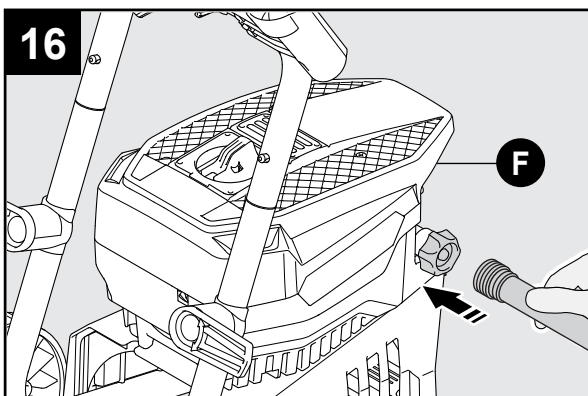


### Espuma del cañón de almacenamiento

Almacene la espuma del cañón (O) en la parte posterior de la unidad de la lavadora de energía (F).



Tire hacia atrás el collar en el otro extremo de la manguera (N). Empuje firmemente para conectar la manguera a la unidad de potencia lavadora. Gire el collar para garantizar. Confirmar la unidad de potencia lavadora esté tirando un poco de manguera manguera. Ahora la manguera esté unida correctamente.

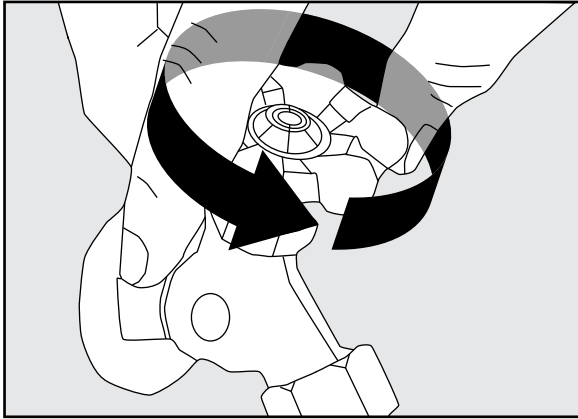


Conecte una manguera de jardín a construida en manguera de jardín adaptador. El agua ahora está conectado a su lavadora.

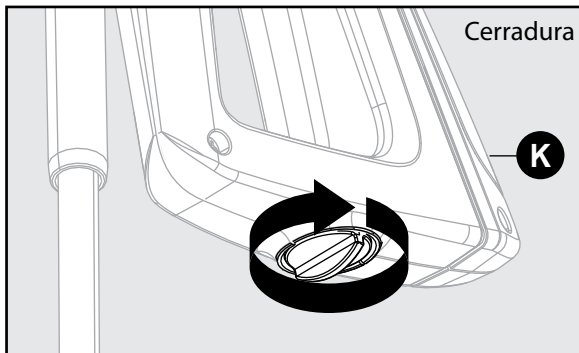
**Nota: Enjuague antes de conectar a manguera de jardín adaptador de manguera de jardín.**

Han completado la Asamblea y están listos para comenzar a usar su lavadora de la energía eléctrica. Lea y siga todas las instrucciones.

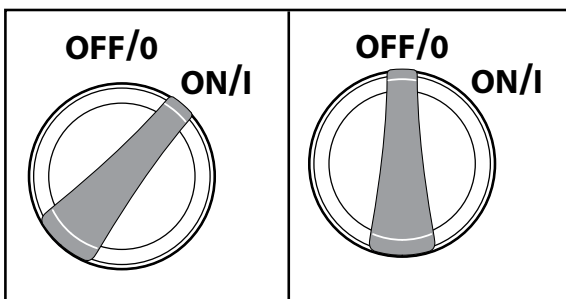
## INSTRUCCIONES DE OPERACIÓN



- Asegúrese de que el interruptor está apagado (la luz estará apagada).
- Desenrolle completamente el cable de alimentación y enchufe en un tomacorriente de 120 voltios a tierra.
- Gire el suministro de agua en el grifo para abrir completamente.

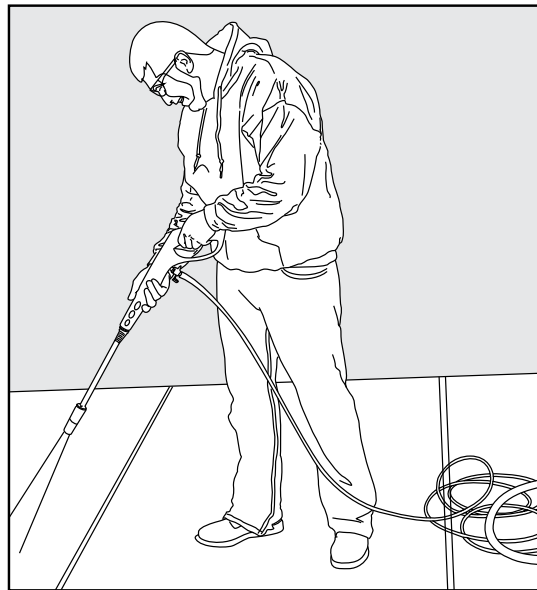


- Gire el botón de bloqueo de seguridad de la pistola pulverizadora a desbloqueo. Mientras apuntando la pistola en una dirección segura, apriete el gatillo de la pistola hasta que haya un flujo constante de agua, dejando que el agua y el aire de la manguera.

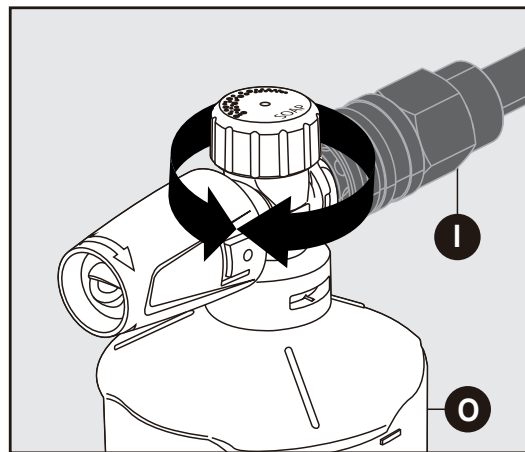


- Gire el interruptor de alimentación a la posición "ON" (I). La unidad se encenderá durante 1 o 2 segundos y se apagará. Este es un procedimiento normal de la función de arranque automático. Apriete el gatillo de la pistola rociadora para comenzar el lavado a presión.

- Apriete el gatillo de la pistola para lavado de presión.
- Lavado de poder comenzar apretando el gatillo de la pistola pulverizadora en el mango.
- Suelte el gatillo de la pistola para detener la lavadora.
- Permita que el motor se detenga por completo antes de apretar el gatillo otra vez.
- Apretando rápidamente hará que la característica de inicio a un ciclo de encendido/apagado que puede evitar que se encienda al accionar el disparador después de exprimir rápido. Disparo lento y deliberado uso tira para evitarlo.

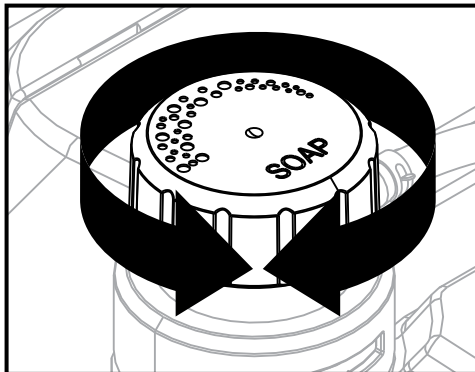


- **Siempre pruebe** en un área pequeña para evitar la posibilidad de dañar la superficie.



### Ajuste los niveles de jabon en espuma Cannon

Giro la perilla para ajustar el nivel de jabón como se indica en la parte superior de la espuma Cannon (O). Giro hacia la mayor concentración de burbujas de jabón, o en la dirección opuesta para menos.



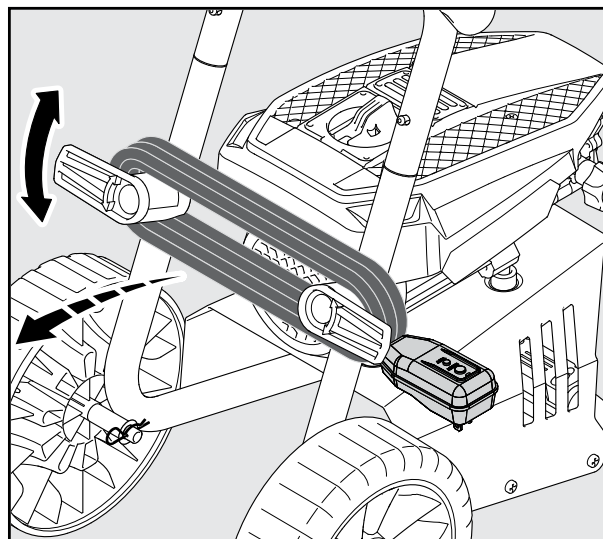
- La lavadora atraerá una proporción de agua detergente de 10:1 o 10 partes de agua 1 parte detergente. La concentración de detergente puede ajustarse girando el detergente en la parte superior de la máquina. Gire a la izquierda para más concentración o la derecha de menor concentración.

### Extremidades de la operación

- **Nota:** Pruebe el GFCI (Sólo para unidades de EE. UU.) antes de cada uso:
  1. Enchufe el GFCI en la toma de corriente. El indicador debe volverse verde para mostrar que el cable tiene energía.
  2. Presione el botón de prueba, el indicador verde debe apagarse para verificar que el GFCI cortó la alimentación del cable.
  3. Presione el botón RESET – el indicador verde debe encenderse para mostrar que el cable tiene energía de nuevo.
  4. cuando el GFCI esté funcionando correctamente, el indicador verde se encenderá cuando se aplique la energía. Si el indicador verde se apaga, ha detectado fugas eléctricas y el GFCI cortó la alimentación eléctrica al electrodoméstico.
- Si oye el motor funcionar intermitentemente cuando no se aprieta el gatillo, es normal. La bomba está cebando para que esté lista para operar cuando se aprieta el gatillo. Desconecte la lavadora si no se utiliza después de cinco minutos.
- Los anillos en el extremo de la bayoneta de la boquilla debe limpiarse regularmente y lubricados con grasa soluble agua no como vaselina (no incluido).
- Mantenga el cable de limpieza de boquilla para uso en destapar la boquilla. Si pierdes el cable limpieza, un clip para papel enderezado también funciona.

### Cómo evitar dañar las superficies How to Avoid Damaging Surfaces

- Daños a las superficies se limpian se produce porque la fuerza de impacto de la presión del agua excede la durabilidad de la superficie. Puede penetrar la madera desnuda, la pintura puede ser pelada apagado, etc.. Puede variar la fuerza de su lavadora mediante el control de:
  1. el ángulo de la superficie a limpiar.
  2. la distancia de la boquilla de la superficie a limpiar.
- Nunca use un chorro estrecho a alta presión de agua sobre superficies blandas susceptibles al daño.
- Uso el 25° ángulo rápido Conecte la boquilla al limpiar los cristales. Apriete el gatillo y variar la forma del chorro y el ángulo hasta logra una óptima eficiencia de limpieza.



### Utilizando el cable de alimentación

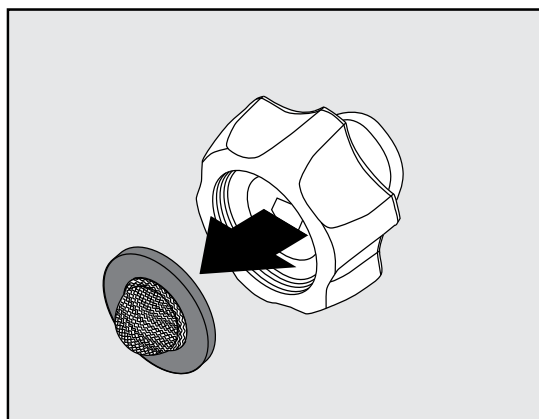
- Remueva el cable de alimentación de la unidad giratoria del gancho del cordón a la derecha o la izquierda. Luego el cable de alimentación puede ser deslizado apagado a ambos lados de la unidad lavadora.
- Cable giratorio gancho al centro cuando esté listo para enrollar el cable en su lugar de almacenamiento.

### Detergentes

- Use detergentes diseñados para lavadoras de energía. Ferreterías o página centros disponen de detergentes de lavadora de potencia para diversos proyectos de limpieza. La solución de limpieza debe ser la consistencia del agua para evitar que se obstruya su botella de detergente y la boquilla.
- Este sistema aplica detergente en baja presión. El poder de limpieza de los detergentes es mayor cuando se aplican con presión baja y se da tiempo suficiente a suciedad y mugre. La combinación de baja presión y la acción química es muy eficaz y puede ser mejor que fregar si se aplica correctamente. Siempre rocíe el detergente en una superficie seca. No sumerja la zona. Mojar la superficie primero diluye el detergente y reduce su capacidad de limpieza. No permita que el detergente se seque sobre la superficie. En superficies verticales se limpie, aplique el detergente para superficies más bajas y su forma de trabajo para arriba para evitar que el detergente que causa las rayas en el polvo y la suciedad. Enjuague el detergente por la presión que se lava de la parte inferior por la misma razón.
- Si una mancha es particularmente difícil, puede ser necesario volver a aplicar el detergente y utilizar un cepillo de cerdas para limpiar la mancha. Alimentación posterior lavado después del cepillado debe completar su trabajo de limpieza.

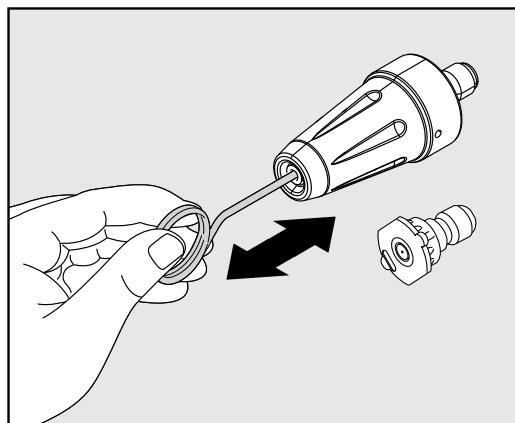
### Limpieza del adaptador de manguera de jardín

- La pantalla dentro del adaptador debe limpiarse periódicamente. Quítela arrastrando un pulgar sobre la pantalla con suficiente presión para sacar la pantalla y la arandela. Enjuáguela con agua limpia y vuelva a colocarla en el adaptador.



### Limpieza de las boquillas

- Una boquilla obstruida o parcialmente obstruida puede ocasionar una reducción significativa de la presión del agua que sale de la boquilla y hacer que la unidad vibre durante el rociado.
- Apague la unidad.
- Cierre el suministro de agua a la unidad.
- Aliviar cualquier presión atrapada en el tubo apretando el gatillo 2 - 3 veces, luego fije la pistola girando el dial de bloqueo (posición "3" y "9").
- Utilice el limpiador de la punta de la boquilla proporcionado (o un portapapeles desdoblado), inserte el alambre en el agujero de la boquilla y muévalo hacia adelante y hacia atrás hasta que los residuos se desprendan.
- Lave a contracorriente con agua a través de las boquillas con la manguera de jardín y a la máxima presión disponible (ya sea con la boquilla de agua estándar o con el pulgar sobre la boquilla para crear la presión de agua para el lavado a contracorriente).

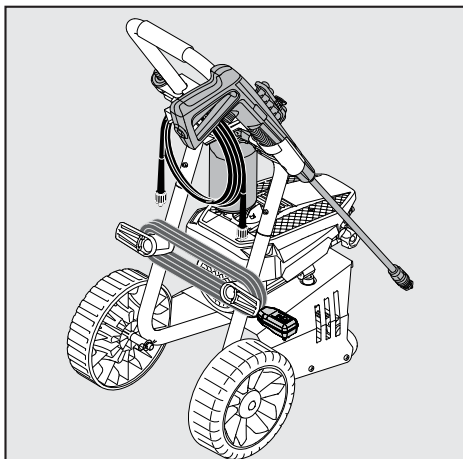


### Almacenamiento de información

- Cuando se haya completado su período de sesiones de lavado a presión, apague el interruptor de encendido. El cable eléctrico del tomacorriente. Apague el suministro de agua. El gatillo de la pistola pulverizadora 2 - 3 veces para drenar el exceso de agua y para liberar cualquier presión de agua residual. No permita que la lavadora a funcionar sin agua que lo atraviesa.
- Retire el tanque de detergente y limpiar por completo. Producto químico residual se pegue en el recipiente y puede causar el inyector de detergente a obstruir y no funciona correctamente.
- Retire la manguera de alta presión de pistola y desenrosque el otro extremo de la manguera de alta presión de la arandela de la energía. Coloque la pistola y lance en la funda en los lados.



## CUIDADO Y MANTENIMIENTO



- Quitar la lanza de la pistola. Coloque la pistola en el lado. Asegúrese de desechar cualquier detergente restante del tanque. Enjuague la cabeza tanque y boquillas con agua limpia para evitar que se atasque.
- Enganchar el cable de alimentación alrededor de

la pestaña en forma de L en la parte superior de la máquina.

- La manguera de presión se almacena en el gancho de la manguera en la parte trasera de la empuñadura.
- Las boquillas de conexión rápida y tobera giratoria se almacenan en la boquilla titular ubicado en ambos lados de la máquina.
- **No guarde la arandela de la energía donde es expuesto a temperaturas de congelación a menos que utilice anticongelante diseñada para bombas.** Tienda la arandela de la energía en el interior para evitar que el agua en la unidad de expansión bajo condiciones de congelación. Cuando el agua se congela y se expande, su Power Washer sera dañado y ser inoperable. O, si el almacenamiento al aire libre, se recomienda que utilice la bomba Saver (no incluido) para proteger bombas.

## PROTECTOR DE LA BOMBA

**Protector de la bomba** es un producto que protege y prolonga la vida de la bomba. Este mantendrá las partes internas de la bomba lubricadas y protegidas de la congelación mientras se almacena en TODOS los climas. También ayuda a proteger contra la corrosión interna. El N.º de pieza de Blue Clean es: PW64511 (botella de 16 onzas). Realice su pedido en línea en [www.arblueclean.com](http://www.arblueclean.com).

### Instrucciones del protector de la bomba

Siga las instrucciones de almacenamiento previas para su lavadora a presión. Para evitar manchas, proteja la superficie debajo de la lavadora a presión de cualquier exceso de líquido. Utilice protección para los ojos cuando utilice este producto.

Apague la unidad y desconecte la pistola antes de colocar el protector de la bomba. Desenrosque la tapa roscada de la botella para retirar el sello y vuelva a colocar la tapa roscada en la botella.

Retirar la tapa negra de la botella.

- 1) parte superior lugar de botella de protector de bomba en el jardín adaptador.

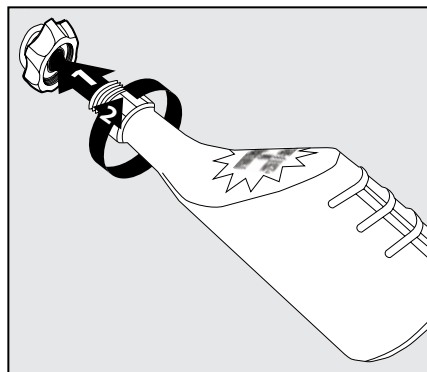
2) Asegure la botella de protector de la bomba girando en un horario Dirección.

3) encender la unidad.

4) Squeeze Bottle para ayudar en la bomba.

5) Apague la energía cuando la máquina bomba Saver salidas Salida de agua.

**Nota:** las instrucciones de la botella del protector de la bomba son genéricas y no del modelo específico.



## SOLUCIÓN DE PROBLEMAS

Si tiene alguna pregunta sobre el producto, llame a Servicio al cliente al 1-866-235-5112.

PROBLEMA	ACCIÓN CORRECTIVA
Unidad no se enciende.	<ol style="list-style-type: none"> <li>1. Asegúrese de que la lavadora está APAGADO. Enchufe el cable eléctrico a un tomacorriente conectado a tierra de 120 voltios (cable de extensión eléctrica no debe utilizarse). Si el cordón eléctrico no se enchufa en un tomacorriente, el tomacorriente no está conectado correctamente a tierra y no debe ser utilizado. Use otra toma de corriente eléctrica.</li> <li>2. Si esto no corrigió el problema, intente enchufar en otra toma de corriente eléctrica y repita el procedimiento anterior. Si todavía no funciona, llame a servicio al cliente. 1-866-235-5112</li> </ol>
La manguera de alta presión (HP) que no conecte/estancia conectada a la pistola. ¿Es esto un problema de pistola?	<ol style="list-style-type: none"> <li>1. en la mayoría de los casos, la pistola no es el problema. El problema es el manguito de goma que cubre la instalación en el extremo de la manguera de alta presión. Es probable que ha deslizado hacia arriba hacia la punta metálica. Fijar: mueva, gire o tire el manguito de goma hacia abajo hasta la punta toda es visible y un 1/8 de pulgada del metal de la guarnición debajo de la punta. Ahora intentan introducir la punta de la manguera de la pistola. Debe "hacer clic" en su lugar y no saldrá hasta que la manguera se libera presionando la palanca en la parte inferior de la pistola. Usted puede cortar lejos el final de la manga con un cuchillo afilado si no se puede bajar el manga. Tenga cuidado de no cortar o perforar la manguera.</li> </ol>
La unidad está funcionando pero no hay ningún flujo de agua.	<ol style="list-style-type: none"> <li>1. la alimentación no debe encenderse hasta que el agua pase a través de la pistola pulverizadora. Si lo hace, se dañará el motor.</li> <li>2. Compruebe la fuente de agua.</li> <li>3. Expulse la boquilla de la lanza para determinar si la boquilla viene con obstrucciones (si la boquilla está obstruida, consulte las instrucciones de limpieza de la boquilla debajo de "boquillas de limpieza").</li> <li>4. Quite la lanza y apenas rocíe de la pistola de aerosol. Esto indicará si el problema es con el lance.</li> <li>5. Revise el adaptador de la manguera de jardín para la conexión floja y el filtro para escombros.</li> </ol>
¿Por qué es el agua escaparse donde se conecta la manguera de alta presión a la pistola?	<ol style="list-style-type: none"> <li>1. Cerciorarte de que haya una junta torica en el extremo de la punta de metal de la manguera de alta presión. Si no la junta torica es presente, la conexión entre la manguera y la pistola se fuga. O - ring kit de reemplazo (d) se incluye con su compra. O - Ring kits adicionales están disponibles en línea en <a href="http://www.arblueclean.com">www.arblueclean.com</a> o llame a servicio al cliente en 1-866-235-5112 para poner una orden.</li> </ol>
No puedo quitar la lanza de la pistola. ¿Qué debo hacer?	<ol style="list-style-type: none"> <li>1. todos lanzas están conectados y extraídos de la pistola de la misma manera. Inserte el extremo de la lanza en la pistola. Mantenga la pistola lanza juntos (sobre un 1/8 pulg) y gire el collar de la pistola. La lanza se bloqueará en su lugar. Invertir este procedimiento para quitar la lanza. Presione la pistola y lanza junto y gire hacia la izquierda. La lanza se deslizará hacia fuera.</li> <li>2. Sujete la pistola y la lanza en posición vertical con el extremo de la boquilla en el piso. Empujar el conjunto hacia abajo para aflojar la conexión y luego seguir otra vez el proceso de eliminación. También puede rociar con agua jabonosa o un lubricante en la zona donde la varilla se conecta a la pistola</li> </ol>

## SOLUCIÓN DE PROBLEMAS

PROBLEMA	ACCIÓN CORRECTIVA
La lavadora se enciende para 2 segundos, se apaga y no volverá a encender. ¿Tengo una unidad defectuosa?	<ol style="list-style-type: none"><li>1. cuando el agua está conectado, los accesorios están montados correctamente y se enciende, la lavadora puede encender por 1-2 segundos para cebar la bomba. Automáticamente se apaga y espera a que el gatillo de la pistola para ser presionado. Cuando se presiona el gatillo, agua comience a fluir a través de la bomba. El sensor de agua en la bomba “detecta” el agua en movimiento y automáticamente enciende la lavadora.</li><li>2. Desconecte la alimentación, mantenga oprimido el gatillo de la pistola para que tenga un flujo constante de agua. Mientras que usted está sosteniendo el gatillo abierto en la pistola, al mismo tiempo, encienda el.</li></ol>

## GARANTÍA LIMITADA

La garantía de este producto está cubierto por A.R.North America.

Este producto tiene una garantía de 2 (dos) años. Por favor lea lo siguiente para entender lo que implica cada uno de garantía:

Este producto está en garantía al consumidor minorista original contra defectos de material y mano de obra durante un período de 1 (un) año y es un “parachoque a parachoque” garantía completa que incluye la pistola, la manguera de alta presión y todos los accesorios de la fecha de compra. La garantía no es transferible o asignable. Esta garantía cubre las piezas de recambio. Esto limita un año de garantía se aplica únicamente a los productos utilizados en aplicaciones de consumo y es nula en alquiler o cualquier aplicación comercial. cuidado razonable debe ser utilizado de acuerdo con las instrucciones de operación y mantenimiento en la guía de inicio manual y rápida del propietario. Si no se siguen estas instrucciones, se anulará esta garantía. Esta garantía le otorga derechos legales específicos y usted también puede tener otros derechos que varían de un estado a otro.

El segundo año de la garantía sólo cubre defectos de fabricación.

### Proceso de garantía

Guarde su recibo original de compra en caso del reclamo de garantía.

Si la lavadora a presión desarrolla un problema, comuníquese con Servicio al cliente:

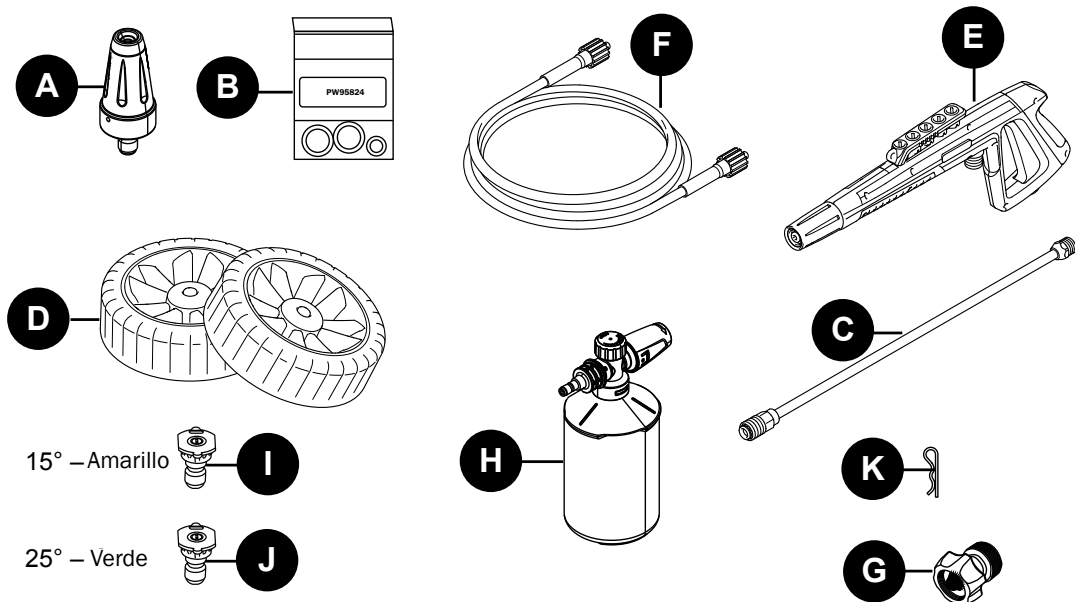
- Llame a nuestro número gratuito 1-866-235-5112. Servicio al cliente está disponible de lunes a viernes de 8:00 a. m. a 5:00 p. m., hora estándar del centro (CST). Un representante de servicio al cliente trabajará con usted para solucionar el problema.

Si la lavadora a presión se tiene que retornar para su reparación, el cliente debe pagar los costos de envío a la compañía. Se emitirá un **Número de autorización de devolución de mercancía (RMA)** para la devolución. Al recibir la lavadora a presión, la empresa reparará o reemplazará la unidad. Enviaremos de vuelta la unidad al cliente sin cargo alguno.

Tenga en cuenta: las lavadoras a presión que se envíen a la empresa **sin número RMA no se aceptarán** y se enviarán de vuelta a expensas del remitente.

## LISTA DE PIEZAS DE REPUESTO

Para obtener piezas de repuesto, llame a nuestro Departamento de Servicio al Cliente al 1-866-235-5112, 8:00 a. m.–5:00 p. m., hora estándar del centro, de lunes a viernes o realice el pedido en línea en [www.arblueclean.com](http://www.arblueclean.com)



PIEZA	DESCRIPCIÓN	PIEZA N.º
A	Boquilla rotativa	PW4222800
B	Kit de recambio de junta tórica	PW4222450
C	Lanza de extensión	PW4222950
D	Rueda	PW4980120
E	Arma de aerosol	PW4221764
F	Manguera de presión alta	PW4222420
G	Adaptador de manguera de jardín	PW4221600

PIEZA	DESCRIPCIÓN	PIEZA N.º
H	Cañón de espuma de alta presión	PW4620265
I	Boquilla de 15° de control de calidad	PW4222650
J	Boquilla de 25° de control de calidad	PW4222660
K	Cotter Pin	PW4620380

Impreso en China