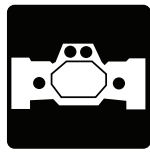


- **Powered by Kohler:** 196cc Kohler OHV horizontal shaft engine
- **High Output:** 3200 PSI @ 2.4 PGM for outstanding cleaning power
- **Robust Pump:** Three piston axial pump with aluminum head for durable, long-term use
- **Extra Long Hose:** 25' long co-extruded high pressure hose provides an easy to move workspace
- **Quick Connect Wand and Nozzles:** 4 Pro-Style nozzles for easy connection and cleaning management
- **Heavy Duty Frame Construction:** Built tough with durable powder coat finish
- **Portable Design:** Cart Frame design with fixed handle and 12" never flat wheels provide excellent portability

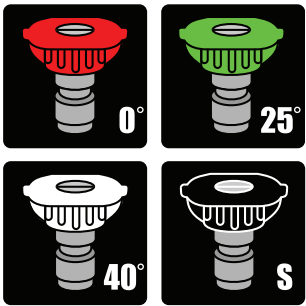


# APW3200K

Accessory Panel



4-Piece PRO Style Nozzles Included



Trigger Gun



High Pressure Hose



196cc OHV Engine

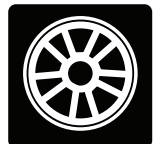


POWERED BY KOHLER.

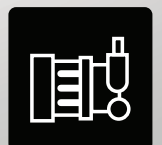
Built In Soap Reservoir



12.0" Flat Free Wheel



Three Piston Axial Pump with Aluminum Head

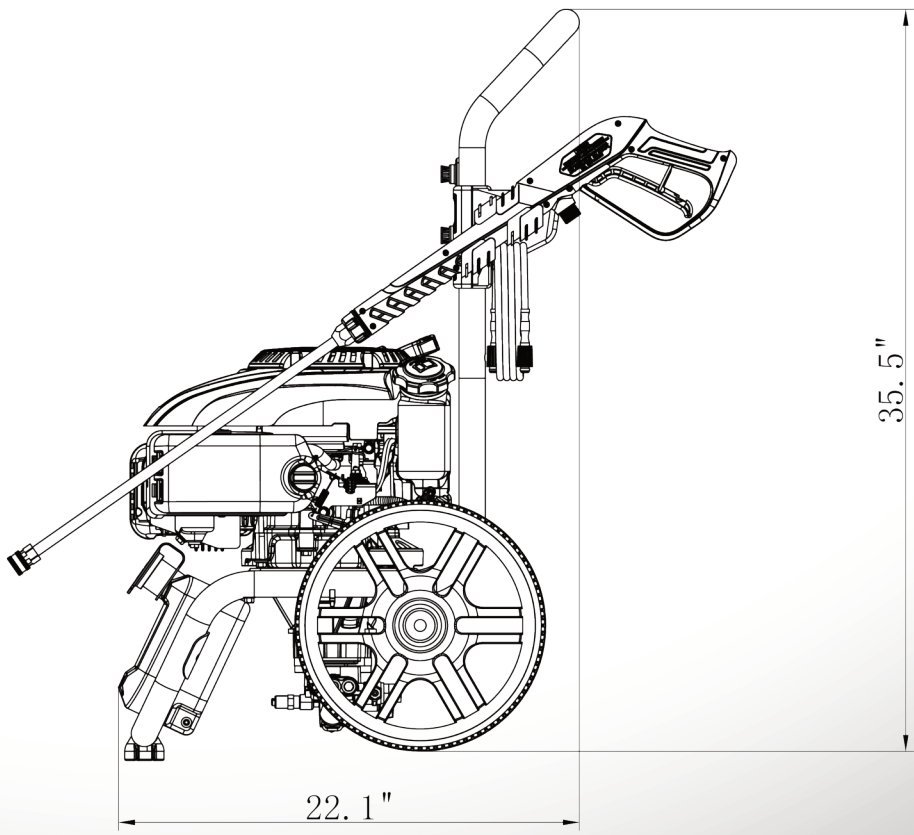
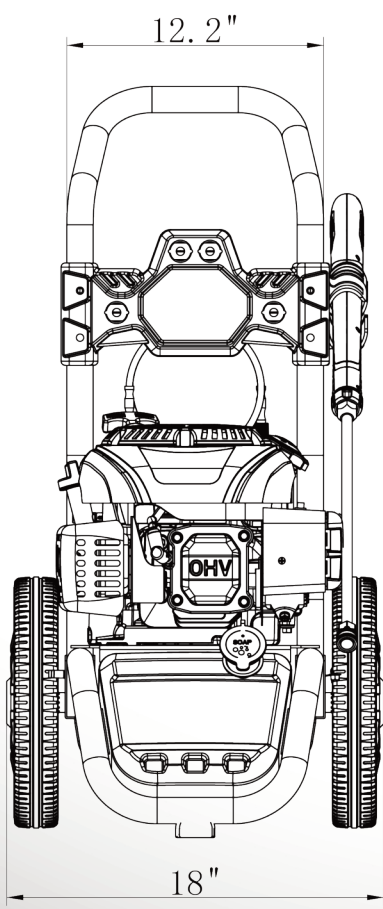


Model Number	APW3200K
Max Pressure (PSI)	3200
Max Flow (GPM)	2.4
Engine Type	Kohler Single Cylinder 196cc - 4 Stroke OHV
Starting System	Recoil Start
Fuel Type	Gasolone
Low Oil Shutdown	No
Cast Iron Sleeve	No
Oil Type and Capacity	10W-30 - 600 ml
Pump Brand	WTL
Pump Type	Axial, Three Piston
Hot / Cold Water	Cold
Lubrication Method	Splash
Chemical Injector	Yes
Handle	Fixed / Snap Pin Installation
Wheel	Flat Free 12"
Included	Oil, Funnel, Spark Plug Wrench, Manual, Nozzle Cleaning Tool, QSG
Warranty (Residential)	2 Year
Carton LxWxH	22.0" x 19.0" x 24.0"
Unit Weight	66.0 lbs.
Shipping Weight	70.0 lbs.
UPC	850013862511

# APW3200K

**INCLUDED**

- Oil
- Funnel
- Spark Plug Wrench
- Manual
- Nozzle Cleaning Tool
- Quick Start Guide



www.a-ipower.com  
 10887 Commerce Way, Unit A  
 Fontana CA 92337- 8240



Phone: 855-888-3598  
 Fax: 909-930-3719  
 support@a-ipower.com  
 Mon-Fri 8:00 AM to 4:30 PM PST

LEARN MORE HERE

