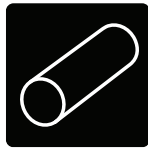


- **High Output:** 3200 PSI @ 2.4 GPM for outstanding cleaning power
- **Kohler Series Engine:** 196cc OHV horizontal shaft Kohler RH Series engine
- **High Capacity Pump:** Industrial grade 3-Piston Axial Cam
- **Extra Long Hose:** 25' long co-extrude high pressure hose providing kink resistant flexibility and ease of use
- **Quick Connect Wand and Nozzles:** 4 Pro-Style nozzles for easy connection and cleaning management
- **Solid Frame Construction:** Easy to use and naturally balanced with built in 2.2L soap tank
- **Portable Design:** 12" never flat wheels provide excellent portability



APW3200KH

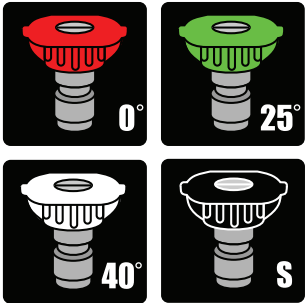
Rubber Grip



Accessory Panel



5-Piece PRO Style Nozzles Included



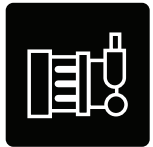
Trigger Gun and Wand



25' High Pressure Hose



3-Piston Axial Cam Heavy Duty Pump



196cc OHV Engine



POWERED BY **KOHLER**

12.0" Flat Free Wheel

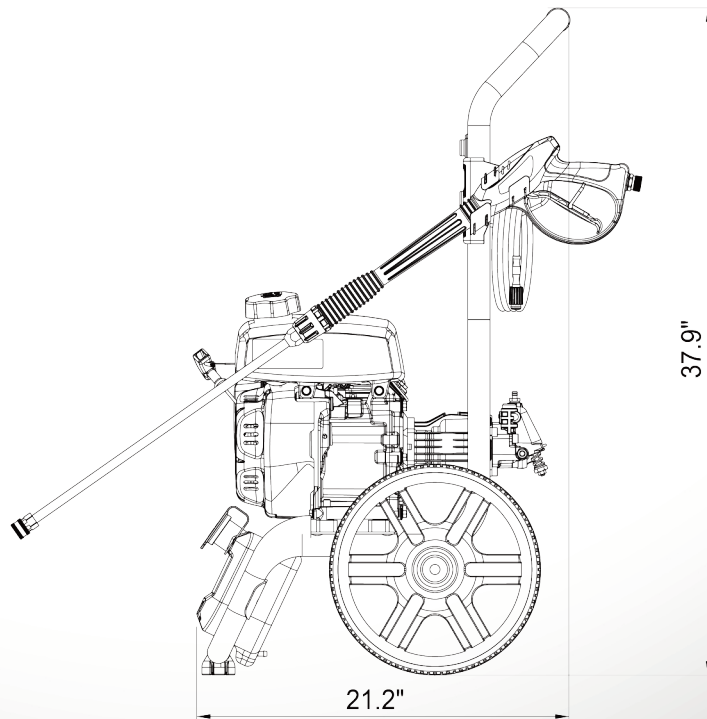
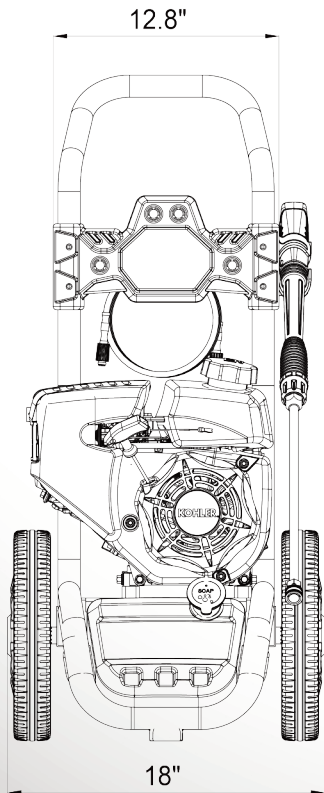


Integrated Soap Tank



Pressure	3400 PSI
Flow Rate	2.4GPM
EPA (49 States)	Yes
CARB (50 States)	Yes
Engine	Horizontal 196cc KOHLER
Pump	Axial Cam with Stainless Steel Pistons and Relief Valve
Spray Gun	Ergonomic Index Pull
Lance	Stainless Steel Lance with Brass Connectors
On-Board Storage Panel	Yes
High Pressure Hose	25 ft Multi-Layer
Gun Holder and Hose Hanger	Yes
Quick Connect Nozzle Tips	0°, 25°, 40° and Soap
On-Board Detergent Tank	Yes
Frame	Welded Steel
Handle	Quick Release
Wheel	Large 12" Flat Free
Accessories	Oil Bottle - Funnel - Nozzle Cleaning Tool- Spark Plug Wrench - Manual
Warranty	2 Year
Carton LxWxH	21.9x19.5x23.8 inch
Unit Weight (Net)	59.5 lbs
Shipping Weight	70.5 lbs

APW3200KH



www.a-ipower.com
10887 Commerce Way, Unit A
Fontana CA 92337- 8240



Phone: 855-888-3598
Fax: 909-930-3719
support@a-ipower.com
Mon-Fri 8:00 AM to 4:30 PM PST

LEARN MORE HERE



POWERED BY
KOHLER