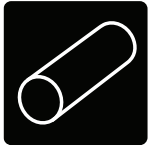


- **High Output:** 2000 PSI @ 1.2 GPM for outstanding cleaning power
- **Electric Powered:** Equipped with an AC plug and push button starting system for quick and convenient use
- **Robust Pump:** Three piston axial pump for durable, long-term use
- **Extra Long Hose:** 25' long co-extrude high pressure hose provides an easy to move workspace
- **Soap Tank and Nozzles:** 4 Pro-Style nozzles with on board soap tank for efficient cleaning power
- **Compact & Lightweight:** Weighting at 33 lbs. allows for convenient storage and portability
- **Portable Design:** 8" never flat wheels provide excellent portability



PWE2000

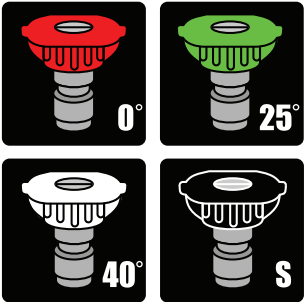
Rubber Grip



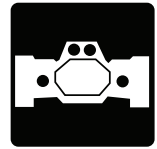
Extra Light Frame



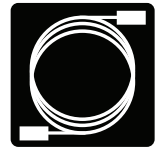
4-Piece PRO Style Nozzles Included



Accessory Panel



High Pressure Hose



Push Button Start



Easy To Use Quick Connector



8.0" Flat Free Wheel



Trigger Gun and Wand



Integrated Soap Tank



Three Piston Axial Pump with Aluminum Head



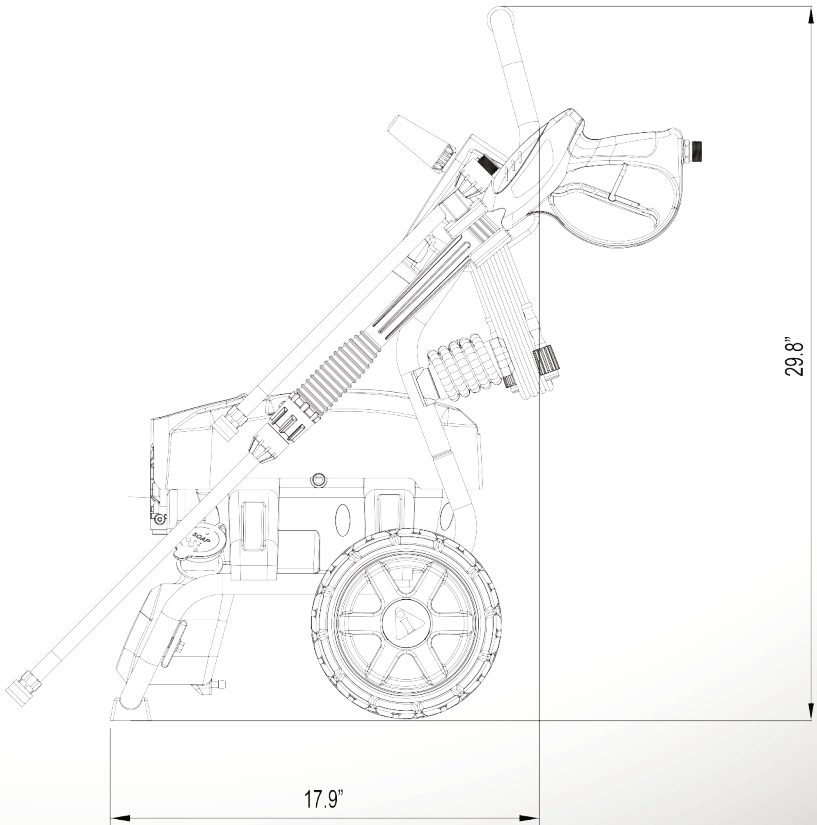
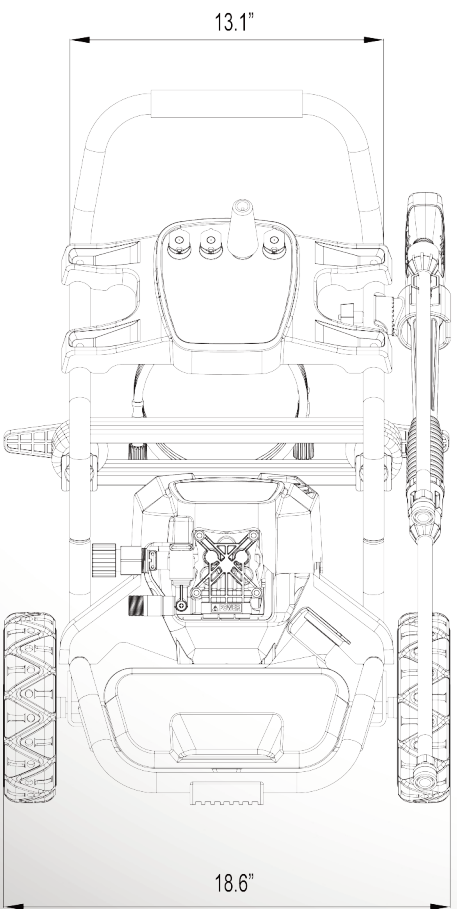
Use Pressure Washer Detergent Only!
SOAP
Automatic Soap Dilution
20:1 Dilution Ratio
BLEACH

Model Number	PWE2000
Max Pressure (PSI)	2000
Max Flow (GPM)	1.2
Motor Type	120V, 14.5 A, 60 Hz
Starting System	Push Button
Power	AC, Electric
Pump Type	Axial, Three Piston
Hot / Cold Water	Cold
Lubrication Method	Splash
Chemical Injector	Yes
Handle	Fixed / Snap Pin Installation
Wheel	Flat Free 8"
Accessories Included	Manual, Nozzle Cleaning Tool
Warranty (Residential)	2 Year
Carton LxWxH	19.5" X 15" X 19.3"
Unit Weight	33.0 lbs.
Shipping Weight	35.7.0 lbs.
UPC	850016881014

PWE2000

INCLUDED

Manual, Nozzle Cleaning Tool



www.a-ipower.com
 10887 Commerce Way, Unit A
 Fontana CA 92337- 8240



Phone: 855-888-3598
 Fax: 909-930-3719
 support@a-ipower.com
 Mon-Fri 8:00 AM to 4:30 PM PST

LEARN MORE HERE

