

1600 PSI

Electric Pressure Washer



BLUE
CLEAN[®]



ASSEMBLY, CARE AND USE INSTRUCTIONS Model AR 143 S-Q2

READ CAREFULLY

**IMPORTANT: RETAIN THESE INSTRUCTIONS
AND ATTACH RECEIPT TO MANUAL FOR FUTURE
REFERENCE.**

Questions, problems, missing parts?

Before returning to your retailer, call (1-866-235-5112) or email (info@arnorthamerica.com) our customer service department. They are available from 8:00 a.m. - 5:00 p.m., CST, Monday - Friday. www.arblueclean.com

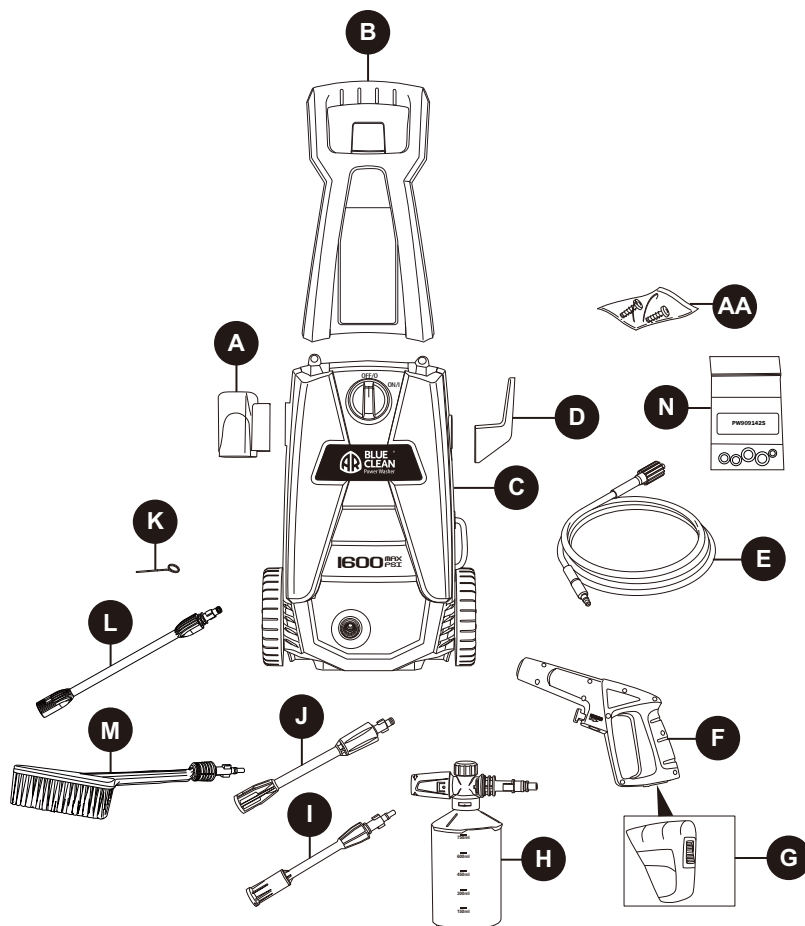
TABLE OF CONTENTS

Product Specifications	2
Package Contents	3
Hardware Contents	3
Safety Information.....	4
Assembly Instructions.....	6
Operating Instructions	10
Care and Maintenance	12
Pump Saver	13
Troubleshooting.....	14
Limited Warranty	15
Replacement Parts List	16

PRODUCT SPECIFICATIONS

SPECIFICATIONS							
Model	Max PSI (lbs/sq. in.)	Max GPM (Gal/per min)	Cold Water	Volts	Frequency (Hz)	Amps	Weight (lbs.)
AR 143 S-Q2	1600	1.2	✓	120	60	12	16.3

PACKAGE CONTENTS



PART	DESCRIPTION	QUANTITY
A	Spray Gun Holster	1
B	Handle	1
C	Power Washer Unit	1
D	Cord Hook	1
E	High Pressure Hose	1
F	Spray Gun	1
G	Spray Gun Lock/Unlock	1
H	Foam Cannon	1

PART	DESCRIPTION	QUANTITY
I	Variable Spray Nozzle Lance	1
J	Extension Lance	1
K	Nozzle Cleaning Wire	1
L	15" Extension Lance	1
M	Fixed Brush	1
N	O-Ring Replacement Kit	1
AA	Screws	2

HARDWARE CONTENTS

AA



Note: Screws are located in package with manual.

Screws
Qty. 2

SAFETY INFORMATION

Please read and understand this entire manual before attempting to assemble and operate product.

This manual contains information that relates to PROTECTING PERSONAL SAFETY and PREVENTING EQUIPMENT PROBLEMS. It is very important to read this manual carefully and understand it thoroughly before using the product. The symbols listed below are used to indicate this information.



DANGER

Potential hazard that **will result in serious injury or loss of life.**



WARNING

Hazard that **could result in serious injury or loss of life.**



CAUTION

Potential hazard that **may result in moderate injury or damage to equipment.**

Note: The word “Note” is used to inform the reader of something the operator needs to know about the tool.



WARNING

To reduce the risk of injury, the user must read and understand the instructions before using this product.

1. Warning – When using this product, basic precautions should always be followed, including the following.
 2. Read all the instructions before using the product.
 3. Know how to stop the product and bleed pressures quickly. Be thoroughly familiar with the controls.
 4. Keep operating area clear of persons.
 5. Do not overreach or stand on unstable support. Keep good footing and balance at all times.
 6. Follow the maintenance instructions as specified in the manual.
 7. To avoid personal injury and/or damage to property and to maximize your power washer experience, carefully follow all of the safety tips, instructions, warnings and safeguards and become familiar with all of the controls. Be sure you know how to quickly bleed off the pressure from all parts of your power washer and how to turn off the power washer.
 8. This power washer conforms to CSA and other safety and consumer standards. **DO NOT** modify or rebuild any part of your power washer.
9. **DO NOT** use your power washer when you are under the influence of alcohol or drugs. Use this power tool carefully and only when you are alert.
10. Watch your balance and footing while using your power washer. Surfaces become slippery when wet and are extra slippery when using a detergent or cleaner.
11. **NEVER** operate the power washer in bare feet, sandals, or open-toed shoes.
12. When using the power washer near children, make sure they are closely supervised by an adult to avoid injury. **NEVER** let a child use the power washer.
13. Keep fingers, hands, feet and any part of your body clear of the stream of high pressure water. The powerful spray can cause blindness or blast holes in the skin. It can break a window if you are too close when you pull the trigger on the spray gun.
14. **ALWAYS** wear eye protection to prevent injury to eyes when operating the power washer.
15. To avoid mishaps or injury, **ALWAYS** use the trigger safety lock when not using the power washer even if only stopping briefly.
16. The power washer is equipped with a Ground Fault Circuit Interrupter (GFCI) which greatly reduces the chance of electric shock while the unit is in use. If replacement of the plug or cord is needed, use only identical replacement parts.
17. Point the spray gun in a safe direction when beginning a power washer session.
18. Warning- **NEVER** spray directly at a person, animal, electrical device or the unit itself.
19. When first using the spray gun, hold the spray gun and lance with two hands when pulling the trigger (one hand to pull the trigger and the other to stabilize the gun assembly) until you get used to the “kickback” from the spray gun.
20. When you turn the power switch to off, water pressure may remain in the system. To discharge the pressure, point the spray gun in a safe direction and pull the trigger.
21. **NEVER** spray flammable liquids.
22. **NEVER** use the power washer in areas that contain combustible dust, liquids or vapors.
23. Avoid contact of the pressure hose with sharp objects and examine the hose regularly. Replace if damaged. Due to the high pressure involved, it cannot be repaired if cut or damaged.
24. Only use detergent specifically formulated for power washers and follow instructions on the detergent’s label. Dish or laundry soap is too thick and will clog the nozzle of your foam cannon.

SAFETY INFORMATION

25. Protect eyes, lungs, and skin from exposure to detergent.
26. Warning-If connection is made to a potable water system, the system should be protected against backflow.



CAUTION

Store the power washer indoors to prevent the water in the unit from expanding under freezing conditions. When the water freezes and expands, your power washer will be damaged and become inoperable. Or, if storing outdoors, it is recommended you use pump saver (not included) to protect pumps.

27. **NEVER** use hot water with your power washer. It will overheat and damage the high pressure pump.
28. **NEVER** leave the power washer unattended while it is powered “ON”.
29. **ALWAYS** turn the water supply on before turning the power washer power to on. Running the pump dry will cause damage to the internal components.

30. **NEVER** use a water supply to your power washer that exceeds 150 PSI maximum.
31. **NEVER** disconnect the high pressure hose from the power washer while the system is pressurized.
32. **NEVER** permanently engage the trigger mechanism on the spray gun.
33. **NEVER** operate the power washer unless all components are properly and securely connected.
34. **NEVER** allow the power washer pump to run for more than one minute after you have turned off the water supply. This can cause the motor and pump to overheat and fail.
35. **NEVER** use lances or other parts that are not compatible for this specific AR Blue Clean unit.
36. **NEVER** use an extension power cord since it defeats the effectiveness of the GFCI and increases the chance of electrocuting the operator.
37. **NEVER** spray any electrical outlet with your power washer.
38. Inspect the power cord before using. **DO NOT** use it if it is damaged.

KEEP THESE INSTRUCTIONS FOR FUTURE REFERENCE.

Servicing of a Double-Insulated Appliance

Ground Fault Circuit Interrupter Protection:

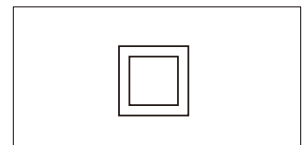
This pressure washer is equipped with a ground-fault circuit-interrupter (GFCI) built into the plugs of the power-supply cord. This device provides additional protection from the risk of electric shock. Should replacement of the plug or cord become necessary, use only identical replacement parts that include GFCI protection.

In a double-insulated product, two systems of insulation are provided instead of grounding. Grounding means are not provided for a double insulated product, nor should grounding means be added to the product.

Servicing a double-insulated product requires extreme care and knowledge of the system, and should only be done by qualified service personnel.

Replacement parts for a double-insulated product must be identical to the original parts.

A double-insulated product is marked with the words “Double Insulation” or “Double Insulated”. Product may also be marked with symbol shown here.



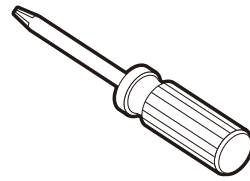
Double Insulated Product

PREPARATION

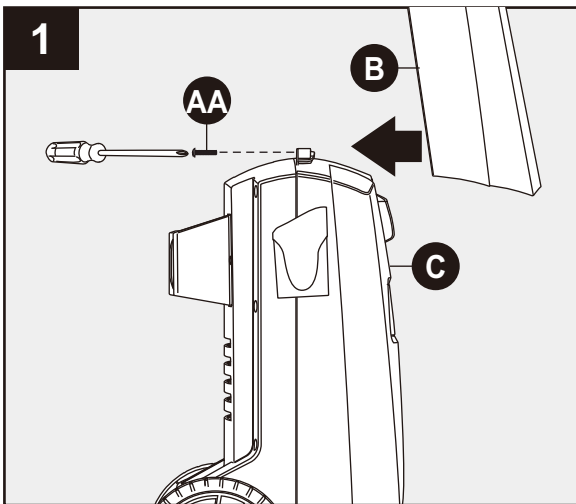
Before beginning assembly of product, make sure all parts are present. Compare parts with package contents list and hardware contents list. If any part is missing or damaged, **DO NOT** attempt to assemble the product. Please call customer service at 1-866-235-5112. Replacement parts will be sent no charge.

Estimated Assembly Time: 5 minutes.

Tools Required for Assembly (not included): Phillips screwdriver.



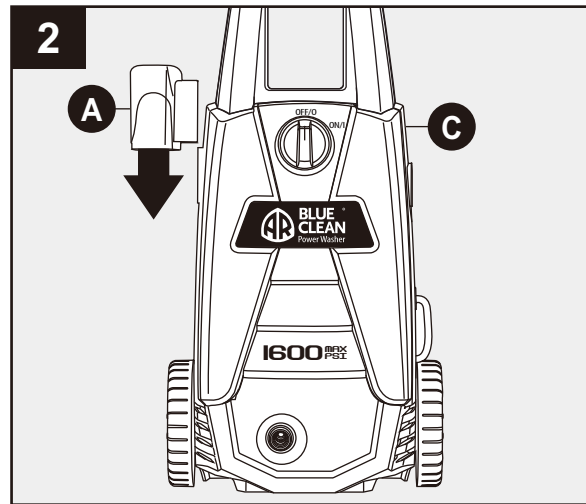
ASSEMBLY INSTRUCTIONS



Power Washer Unit Assembly

Install handle (B) to power washer unit (C). Secure with screws (AA).

Note: Do not use a power screwdriver. When the screws are completely tight, give a small final clockwise twist of the screwdriver. Do not overtighten.



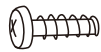
Slide spray gun holster (A) onto left side, when facing the power washer unit (C) as shown.

Note: This step does not require any screws.

Hardware Used:

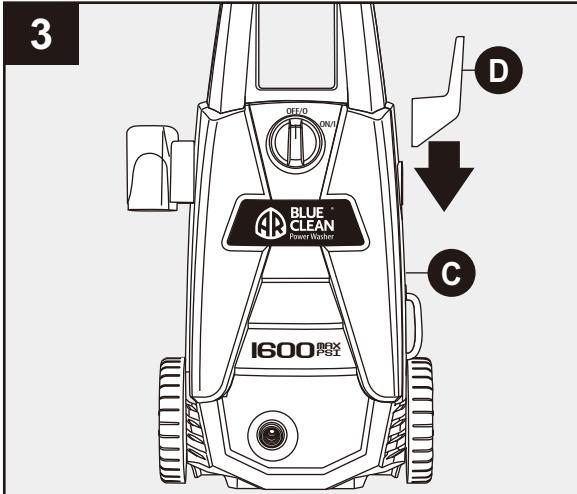
AA

Screws



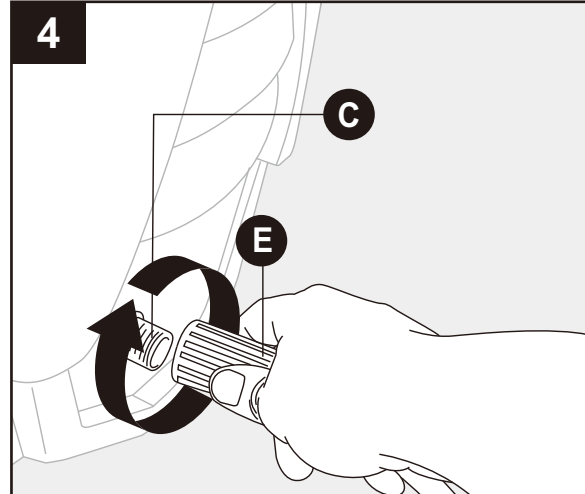
x 2

ASSEMBLY INSTRUCTIONS



Slide cord hook (D) onto right side, when facing the power washer unit (C) as shown.

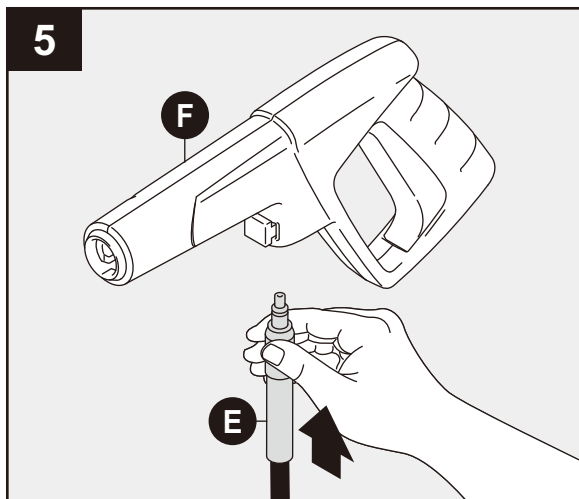
Note: This step does not require any screws.



High Pressure Hose Assembly

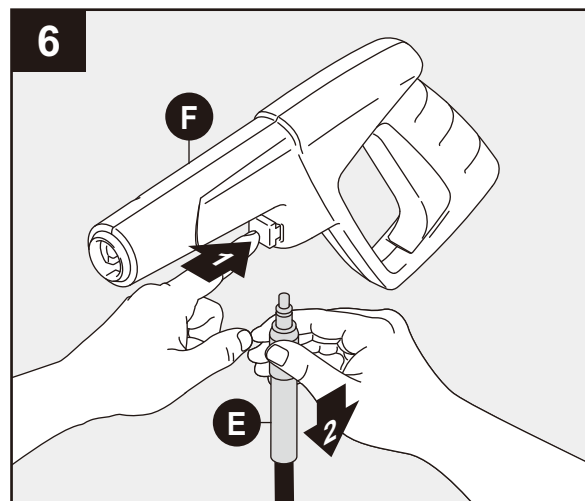
Screw high pressure hose (E) clockwise onto bottom front of power washer unit (C). Pull back collar and insert o-ring post into water outlet far enough so collar can thread onto outlet threads until hand tight. If it takes fewer than six turns you have not properly tightened the high pressure hose fitting. It is easier to position the power washer in front of you to ensure that the threads are started correctly. Failure to properly tighten high pressure hose will result in the hose slipping or popping off immediately upon turning unit on. Do not worry about damage if this occurs—just reinstall and take extra care when screwing on the high pressure hose fitting.

Note: **DO NOT** use pliers or locking pliers to tighten.



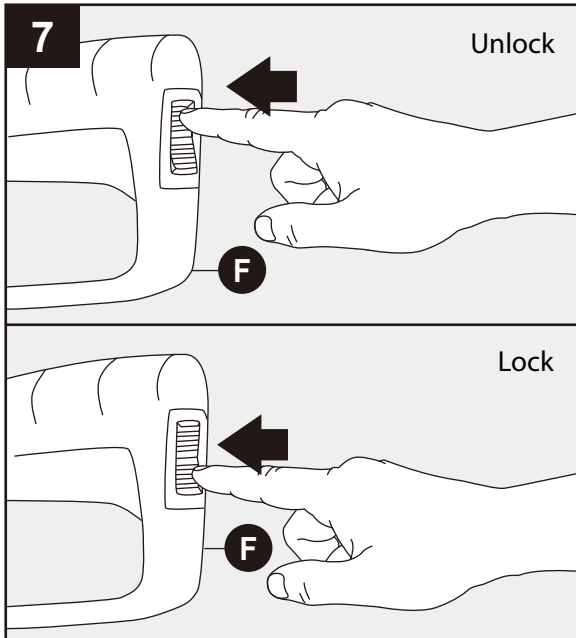
Connect the other end of high pressure hose (E) to spray gun (F) by inserting the silver metal tip of high pressure hose into the fitting just ahead of trigger guard. It will lock into spray gun with a “click”. Confirm hose is locked into spray gun by slightly pulling on hose. The hose is now securely attached to spray gun.

Note: **DO NOT** press button on underside of gun when connecting hose to gun. This is the hose release button, and hose will be unable to connect.



To release hose (E) from spray gun (F), press button on the underside of gun toward trigger guard. The hose will slide out from connection.

ASSEMBLY INSTRUCTIONS

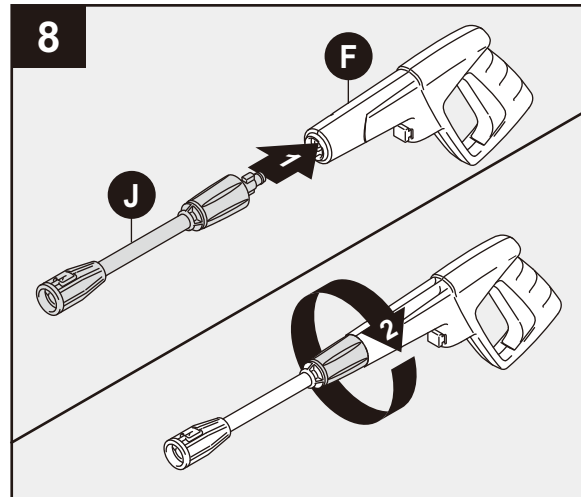


Locking Spray Gun (Before Lance Installation)

To lock trigger of spray gun (F), point gun away from you and press bottom half of lock button to engage lock. Squeeze or pull trigger to make sure it is locked.

ALWAYS leave lock button in locked position when not in use. This ensures the gun is in "safe" mode until it is ready for use. To unlock, press top half of lock button to release.

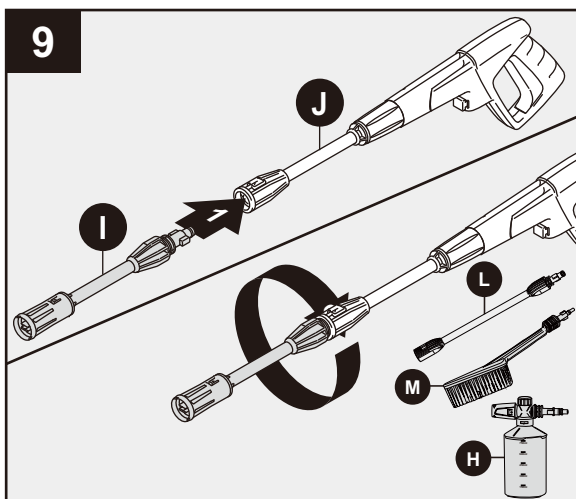
Note: The trigger lock prevents trigger from being accidentally engaged.



Extension Lance Installation

With spray gun (F) in locked position, attach extension lance (J) directly to spray gun. Insert lance extension into gun, pushing together and turning clockwise simultaneously. Turn the extension collar clockwise to lock into place. To remove extension lance (J), turn extension collar counterclockwise to unlock, then push together and turn counterclockwise to release.

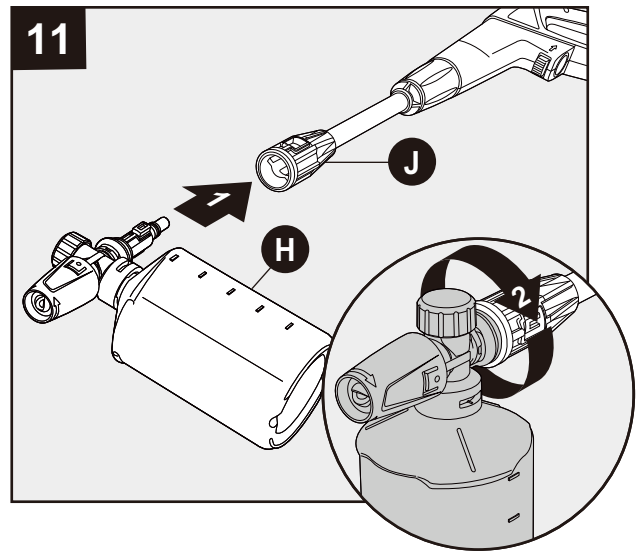
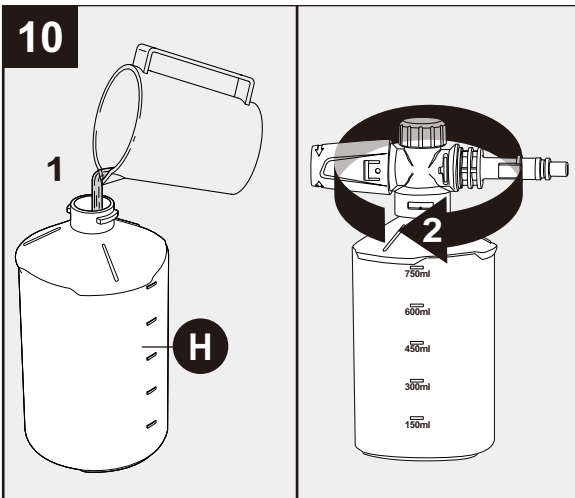
Note: The extension lance must be inserted in gun before using any of the other attachments, and in place for storage. It is recommended that once the extension is connected to leave it in place.



Variable Spray Nozzle Lance, Roto Spray Lance, or Fixed Brush Installation

Insert Foam Cannon (H), Variable Spray Nozzle Lance (I), 15" Extension Lance (L), or Fixed Brush (M) into the end of the extension lance (J) by inserting and pushing together, turning clockwise simultaneously. To remove push together and turn counterclockwise.

Note: Push the safety lock button to lock the trigger when changing lances to ensure that they do not accidentally eject with force during removal.



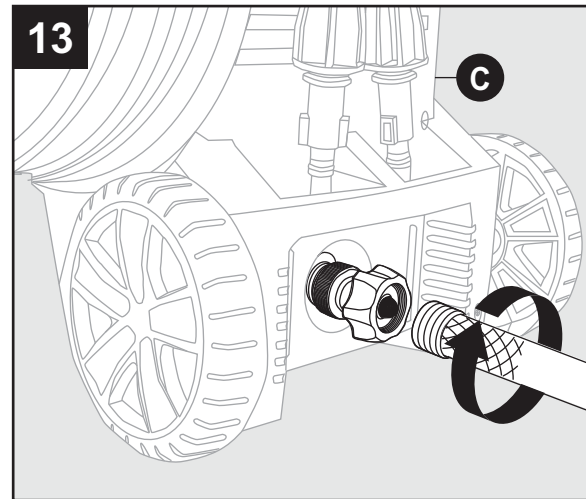
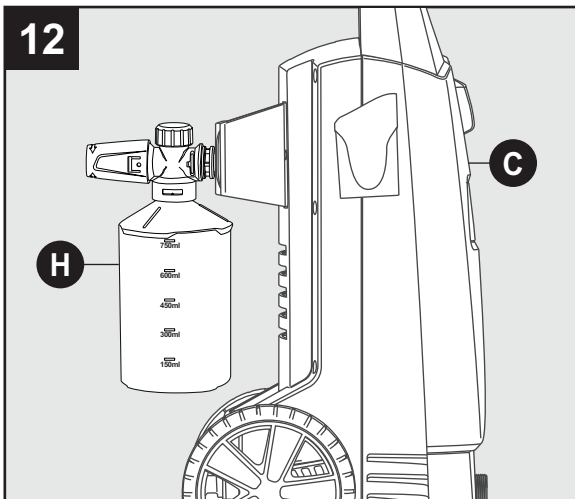
Foam Cannon Installation

The foam cannon comes with a straw which is fitted into high pressure top. If you do not see the straw, look inside the foam cannon and attach it to the high pressure top. When using foam cannon, fill it with a properly formulated detergent or cleaner with a water ratio according to instructions on the container.

Insert foam cannon (H) into extension lance (J), push in and turn clockwise.

Note: Always lock spray gun when changing the foam cannon to ensure it does not eject with force.

- Pressure washer detergents are recommended. See page 11 for more information.
- **DO NOT** use thick or gel-like detergents as they will clog the foam cannon and can cause damage.



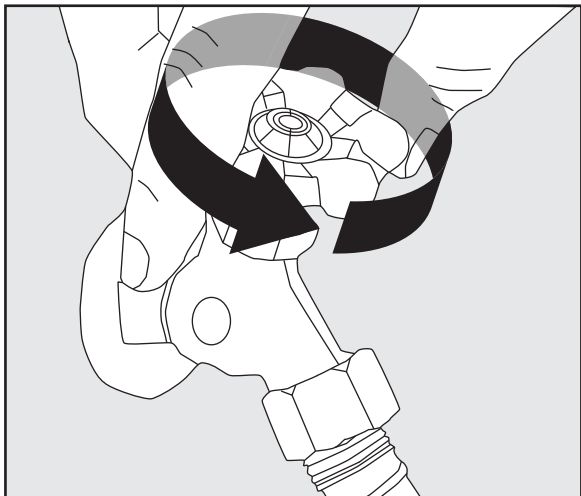
Foam Cannon Storage

Store the foam cannon (H) on the back of the power washer unit (C).

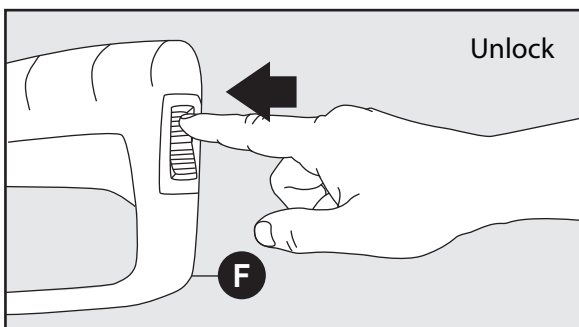
Attach a standard garden hose to the black collar of the garden hose adapter located on the back of the power washer unit (C). The water is now connected to your power washer.

Note: Flush out garden hose before connecting to garden hose adapter.

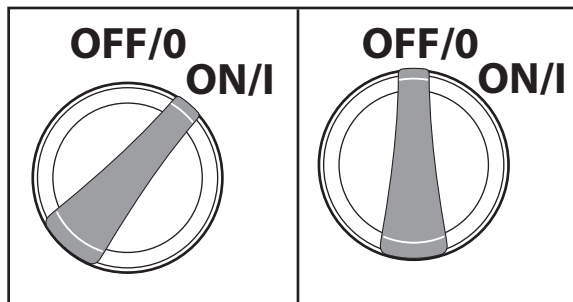
OPERATING INSTRUCTIONS



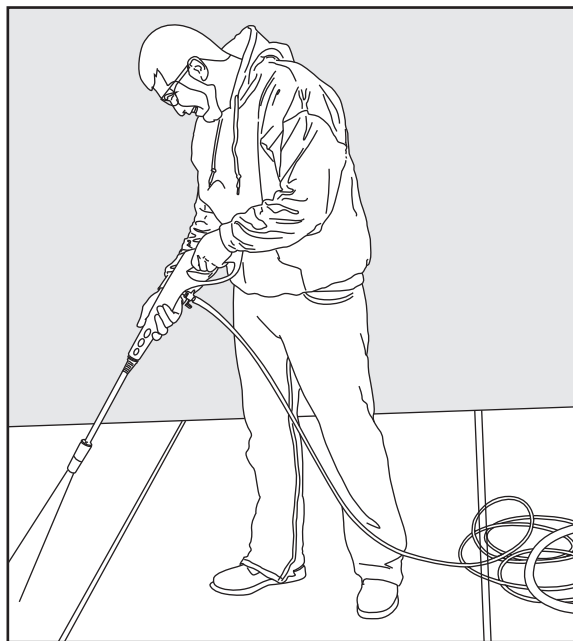
- Make sure the “ON/OFF” switch is in the “OFF” position. The power switch has international symbols for ‘on’ and ‘off’: On (I) Off (O).
- Unwind the power cord completely and plug the GFCI into a grounded 120 volt outlet.
- Turn on water supply at the faucet to completely open.



- Release the safety lock button on the spray gun by pressing the top half of the safety lock button. While pointing the spray gun in a safe direction, squeeze the trigger on the spray gun until there is a steady stream of water, letting the water and air out of the hose.

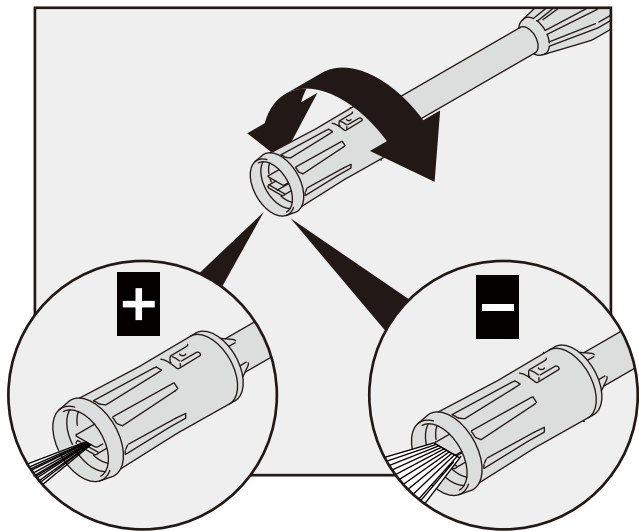


- Turn the power switch to the “ON” (I) position. The unit will turn on for 1 - 2 seconds and shut off. This is a normal function of the auto start feature.
- Begin power washing by squeezing the trigger on the spray gun all the way into the handle.
- Release the spray gun trigger to stop the power washer.
- Allow the motor to come to a complete stop before squeezing the trigger again.
- Squeezing and releasing the trigger rapidly will cause the auto start feature to miss an on/off cycle that may prevent it from working properly. Use slow deliberate trigger pulls to avoid such symptoms.



- **Always test** a small area to avoid chance of damaging the surface.

OPERATING INSTRUCTIONS



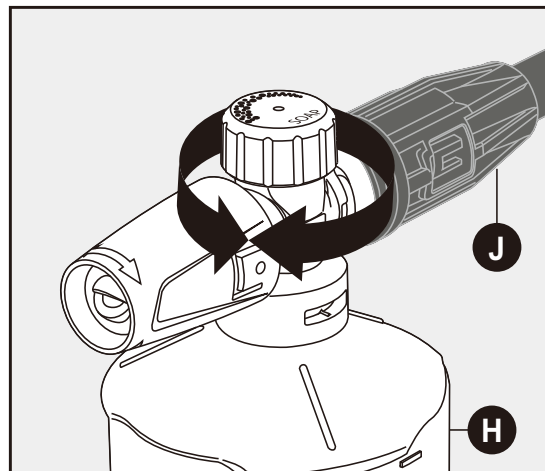
- When using the variable spray nozzle, the spray pattern and intensity can be adjusted for each task by twisting the spray nozzle at the far end of the lance.

Operation Tips

- If you hear the motor run intermittently when the trigger is not being squeezed, that is normal. The pump is priming itself so it is ready to operate when the trigger is squeezed. Turn off the power washer if
- The o-rings on the bayonet end of the nozzle lance should be cleaned regularly and lubricated with non-water soluble grease such as petroleum jelly.
- Keep the nozzle cleaning wire for use in unclogging the nozzle. If you lose the cleaning wire, a straightened paper clip also works.

How to Avoid Damaging Surfaces

- Damage to surfaces being cleaned occurs because the impact force of the water pressure exceeds the durability of the surface. Bare wood can be penetrated, paint can be peeled off, etc. You can vary the force of your power washer by controlling:
 1. The angle of the surface being cleaned.
 2. The distance of the nozzle from the surface being cleaned.
- **NEVER** use a narrow high pressure stream of water on soft surfaces susceptible to damage.



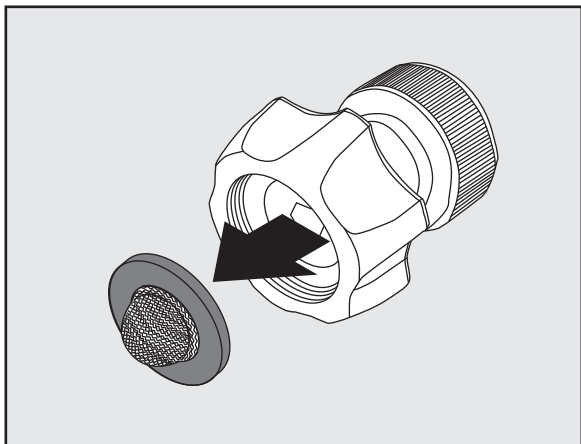
Adjusting Soap Levels on Foam Cannon

Twist knob to adjust the level of soap as indicated on the top of the Foam Cannon (H). Twist toward the higher concentration of bubbles for more soap, or the opposite direction for less.

Detergents

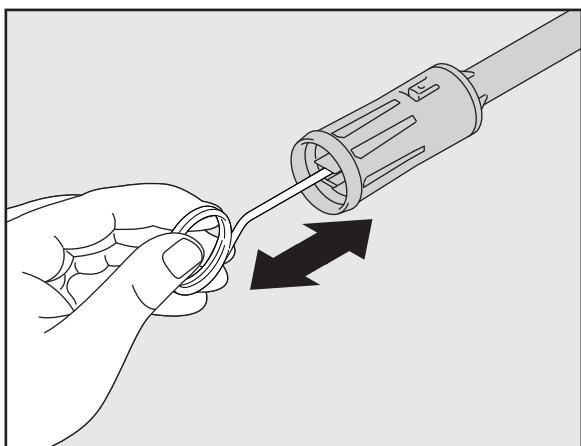
- Use detergents designed for power washers. These can be purchased online at our website www.arblueclean.com. Hardware stores or home centers also have power washer detergents for different cleaning projects. The cleaning solution should be the consistency of water in order to prevent clogging your detergent bottle and nozzle.
- This system applies detergent under low pressure. The cleaning power of the detergents is enhanced when applied with low pressure and enough time is given to break down dirt and grime. The combination of low pressure and chemical action is very effective and can be better than scrubbing if applied properly. **ALWAYS** spray detergent on a dry surface. **DO NOT** pre-soak area. Wetting the surface first dilutes the detergent and reduces its cleaning ability. **DO NOT** allow detergent to dry on surface. On vertical surfaces being cleaned, apply detergent to lower surfaces and work your way up to prevent detergent from causing streaks in the dirt and grime. Rinse detergent by pressure washer from bottom up for same reason.
- If a stain is particularly tough, it may be necessary to reapply the detergent and use a bristled brush to scrub the stain. Power washing after brushing should successfully clear the stain.

CARE AND MAINTENANCE



Cleaning Garden Hose Adapter

- The screen inside the adapter should be cleaned periodically. Remove it by dragging a thumb over the screen with enough pressure to pull the screen and washer out. Rinse it with clean water and then place it back in the adapter.



Cleaning Nozzles

- A clogged or partially clogged nozzle can cause significant reduction of water pressure coming out of the nozzle and/or cause the unit to pulsate while spraying.
- Turn off the unit.
- Turn off the water supply to the unit.
- Relieve any pressure trapped in the hose by squeezing the trigger 2-3 seconds, and then lock the spray gun by pushing the lock button.
- Remove the lance from the extension lance.
- Take off the variable spray nozzle lance. Rotate the nozzle to open up the metal blades.
- Using the nozzle cleaner wire provided (or an

unfolded paper clip), insert the wire into the nozzle hole and move back and forth until debris is dislodged.

- Tap quick connect end of lance on hard surface several times.
- Back flush water through the nozzles using garden hose and highest pressure available (either standard water nozzle or use your thumb over the nozzle to create water pressure for back flush).

Storage

- When your pressure washer session has been completed, turn off the power switch located on the front of the power washer. Unplug the power cord from the outlet. Turn off the water supply. Pull the trigger on the spray gun 2-3 times to drain out the excess water and to release any remaining water pressure. Disconnect the garden hose adapter from the water inlet. **DO NOT** allow the power washer to run with no water flowing through it.
- Remove high pressure hose from spray gun.
- Remove lance from the gun. Place the gun in the holster on the side. Lances are placed into any of the slots in the back of the unit.
- Make sure to discard any remaining detergent from the bottle. Residual chemical will stick to the container which could become contaminated, and can cause the detergent injector to clog and not function properly. Flush the bottle and nozzle head with fresh water to prevent clogging.
- Hook the power cord around the cord hook on the right side of the machine when facing it.
- The pressure hose is stored on the hose hook located on the back of the handle.
- **DO NOT store the power washer where it is exposed to freezing temperatures unless you use an antifreeze designed for pumps.** Store the power washer indoors to prevent the water in the unit from expanding under freezing conditions. When the water freezes and expands, your power washer will be damaged and become inoperable. Or, if storing outdoors, it is recommended you use pump saver (not included) to protect pumps.

PUMP SAVER

Pump Saver is a product that protects and prolongs the life of the pump. This will keep the internal parts of the pump lubricated and protected from freezing while being stored in ALL climates. It also assists with protection from internal corrosion. The AR Blue Clean part #is: PW64511(16oz. bottle). Order online at www.arblueclean.com

Pump Saver Instructions

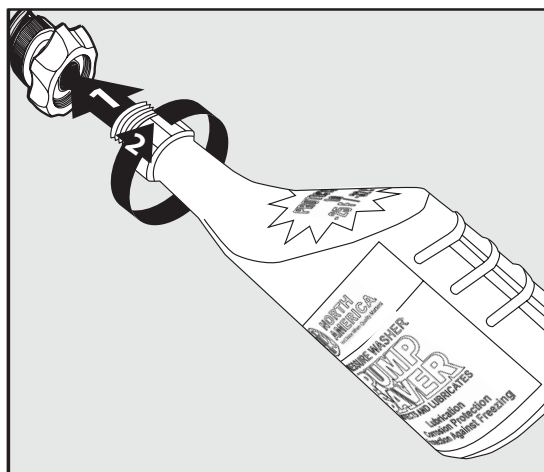
Turn unit off and disconnect the gun before adding pump Saver. Unscrew threaded top from bottle to remove seal and reattach threaded top to bottle. Remove black cap from bottle.

- 1) Place top of pump saver bottle onto the garden hose adapter.
- 2) Secure pump saver bottle by turning in a clockwise direction.
- 3) Turn the power on.

4) Squeeze bottle to help it into the pump.

5) Turn power off when pump saver exits the machine's water outlet.

Note: Instructions on Pump Saver Bottle are generic and not model specific.



TROUBLESHOOTING

If you have any questions regarding the product, please call customer service at 1-866-235-5112.

PROBLEM	CORRECTIVE ACTION
Unit will not turn on.	<ol style="list-style-type: none"> 1. The GFCI module on the end of the power cord must be plugged directly into an outlet. 2. Do not use an extension cord. 3. With the GFCI Connected make sure the power switch is turned on. <p>Note: When power switch is turned on, the power washer will turn on by itself for 1-2 seconds and shut off. This is normal.</p>
The high pressure (HP) hose will not connect/stay connected to the spray gun. Is this a spray gun problem?	<ol style="list-style-type: none"> 1. In most cases, the spray gun is not the problem. The problem is the rubber sleeve covering the fitting at the end of the high pressure hose. It has likely slipped up toward the metal tip. To fix: wiggle, twist and/or pull the rubber sleeve down until the entire tip is visible plus an 1/8 in. of the metal fitting below the tip. Now try to insert the hose tip into the spray gun. It should “click” into place and will not come out until the hose is released by pushing in the lever on the underside of the gun. You may cut away the end of the sleeve with a sharp knife if unable to move the sleeve down. Be careful not to cut or puncture the hose. 2. Do not push in the release button when connecting the high pressure hose.
The unit is running but there is no water flow.	<ol style="list-style-type: none"> 1. Power should NOT be turned on until water comes through the spray gun. Doing so will damage the motor. 2. Check the water source. 3. Eject the nozzle from the lance to determine if clog is coming from the nozzle. (If nozzle is clogged, see nozzle cleaning instructions under “Cleaning nozzles”.) 4. Take off the lance and just spray out of the spray gun. This will indicate if the problem is with the lance. 5. Check Garden Hose Adapter for loose connection and the filter for debris.
Why is water leaking where the high pressure hose connects to the spray gun?	<ol style="list-style-type: none"> 1. Make sure there is an o-ring at the end of the metal tip of the high pressure hose. If no o-ring is present, the connection between the hose and spray gun will leak. O-Ring Replacement Kit (L) is included with purchase. Additional O-Ring Kits are available online at www.arblueclean.com or call Customer Service at 1-866-235-5112 to place an order.
I can't remove the lance from the spray gun. What should I do?	<ol style="list-style-type: none"> 1. All lances and the foam cannon are attached and removed from the extension lance in the same manner. Insert the quick-release end of the lance/ foam cannon into the extension lance. Press the extension lance and lance together (about a 1/8”) and turn clockwise. The lance will lock in place. Remove the lance by reversing this procedure. Press the extension lance and lance together and turn counter clockwise. The lance will slide out. 2. Or, hold the extension lance and lance in an upright position with the nozzle end on the floor. Push the whole assembly straight down to loosen the connection, and then follow the removal process again. You may also spray soapy water or a lubricant in the area where the lance connects to the extension lance.

LIMITED WARRANTY

PROBLEM	CORRECTIVE ACTION
The power washer turns on for 2 seconds, shuts off, and will not turn back on. Do I have a defective unit?	<ol style="list-style-type: none">1. It sounds like your power washer is working just fine. When the water is connected, the accessories are assembled properly, and the power switch is turned on, the power washer may turn on for 1 - 2 seconds to prime the pump. It automatically shuts off and waits for the spray gun trigger to be pressed. When the trigger is pressed, water starts flowing through the pump. The water sensor in the pump “senses” the moving water and automatically turns the power washer on.2. Turn the power switch to off, hold in the trigger on the spray gun, so that you have a steady stream of water. While you are holding the trigger open on the spray gun, at the same time, turn the power switch on.

LIMITED WARRANTY

This product has a 2 (two) year warranty. Please read the following carefully to understand what each warranty entails:

This product is under warranty to the original retail consumer against defects in material and workmanship for a period of 1 (one) year and is a complete “bumper to bumper” warranty including the spray gun, the high pressure hose and all accessories from the date of purchase. The warranty is not transferable or assignable. This warranty covers replacement parts. This limited one year warranty applies only to products used in consumer applications and is void in rental or any commercial application. Reasonable care must be used in conformity with operation and maintenance instructions in the owner’s manual. Failure to follow these instructions will void this warranty. This warranty gives you specific legal rights and you may also have other rights which vary from state to state.

The second year of the warranty only covers manufacturer defects.

Warranty Process

Keep your original receipt of purchase in case of warranty claim.

If your power washer develops a problem, contact Customer Service:

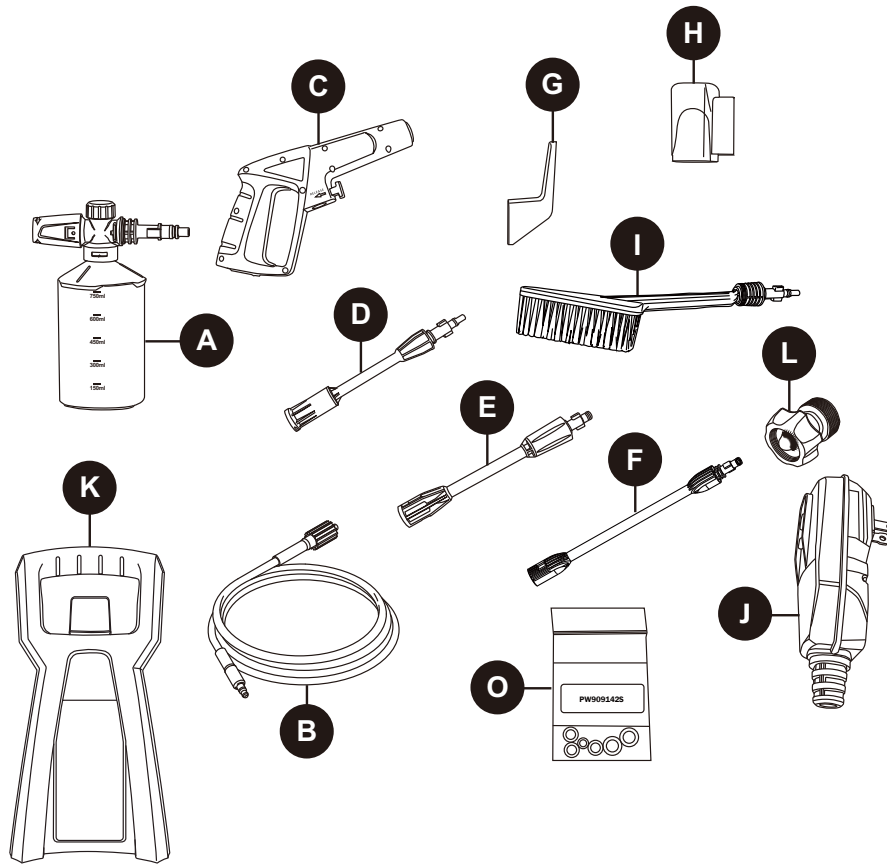
- Call our toll-free number at 1-866-235-5112. Customer Service is available Monday - Friday, 8:00 a.m. - 5:00 p.m., Central Standard Time (CST). A Customer Service Representative will work with you to fix the problem.

If the power washer needs to be returned for repair, shipping costs must be paid by the customer. A **Return Merchandise Authorization (RMA) Number** will be issued for the return. Upon receiving the power washer, the company will repair or replace the unit. We will send unit back to customer at no charge.

Please note: Power washers sent to the company **without an RMA Number will NOT be accepted** and will be shipped back at the expense of the sender.

REPLACEMENT PARTS LIST

For replacement parts, call our customer service department at 1-866-235-5112, 8:00 a.m. - 5:00 p.m., CST, Monday - Friday or order online at www.arblueclean.com



PART	DESCRIPTION	PART #
A	Foam Cannon (25 oz.)	PW4620270
B	Hose	PW4620240
C	Spray Gun	PW4120391
D	Variable Spray Nozzle Lance	PW4120410
E	Extension Lance	PW4120400
F	15" Extension Lance	PW3082860

PART	DESCRIPTION	PART #
G	Cord Hook	PW4220590
H	Gun Holder	PW4220580
I	Fixed Brush	PW40787
J	GFCI Assembly	PW4221160
K	Handle	PW4220570
L	Garden Hose Adaptor	PW4221570
O	O-Ring Kit	PW909142S