



**MODEL / MODELO / MODELE :**

**10BLE-025**

**1700 PSI ELECTRIC  
PRESSURE WASHER**

**1700 PSI LAVADORA A  
PRESIÓN ELÉCTRICA**

**1700 PSI LAVEUSE A  
PRESSION ELECTRIQUE**

**READ AND SAVE THESE INSTRUCTIONS  
LEA Y GUARDE ESTAS INSTRUCCIONES  
LIRE ET EPARGNER CES INSTRUCTIONS**



**If your pressure washer is not working properly or if there are parts missing or broken, please DO NOT RETURN IT TO THE PLACE OF PURCHASE. Visit our website for registration, troubleshooting, and replacement parts.**

**Si su lavadora a presión no trabaja correctamente ó encuentra partes rotas ó faltantes, por favor NO LA REGRECE AL LUGAR DONDE LA COMPRO. Visite nuestro sitio web para registro, solucion, y repuestos.**

**Si votre rondelle de pression ne travaille pas convenablement ou s'il y a des parties manquant ou cassé, s'il vous plaît le PAS LE RETOURNE AU LIEU D'ACHAT. Visiter notre site internet pour l'enregistrement, le dépannage, et les parties de remplacement.**

**[www.power-washer.us](http://www.power-washer.us)**

**This product is covered by US patents and other international patents.  
Copyright. All Rights Reserved.**

**Este producto está protegido por patentes de los EE. UU. y otras patentes internacionales.  
Derecho de autor. Todos los derechos reservados.**

**Ce produit est couvert par les brevets d'Etats-Unis et les autres brevets internationaux.  
Copyright. Tous Droits Ont Réservé.**

## TABLE OF CONTENTS

Safety Information .....	3
Safety Features .....	5
Power Supply and Electrical Info .....	6
Package Contents .....	7
Operation Instructions .....	8
Cleaning Techniques .....	13
End of Use / Storage Instructions .....	14
Care and Maintenance .....	14
Troubleshooting .....	15
Warranty .....	16

## PRODUCT SPECIFICATIONS

Max. pressure rating	1700 PSI
Max. water flow rating	1.6 GPM
Electrical requirement	120V, 15A, 60Hz
Electrical cord	35 ft
High pressure hose	25 ft
Minimum amp source	15A
Pressure of inlet water	20 - 100 PSI
Inlet water	Cold tap water
Soap consumption rate	10% max



**WARNING:** Carefully read this operator's manual before starting up the washer for the first time.



**CAUTION:** Always store your pressure washer in a location where the temperature will not fall below 40°F. Freeze damage is not covered by the warranty.

## SAFETY INFORMATION

Please read this entire manual before attempting to assemble, operate or install the product. If you have any questions regarding the product, please contact our customer service department at [www.power-washer.us](http://www.power-washer.us) or 1-800-381-0999.

Safety precautions are essential when any mechanical equipment is involved. These precautions are necessary when using, storing, and servicing mechanical equipment. Using this equipment with the respect and caution demanded will considerably lessen the possibilities of personal injury. If safety precautions are overlooked or ignored, personal injury or property damage may occur. The following symbols shown below are used extensively throughout this manual. Always heed these precautions, as they are essential when using any mechanical equipment.



**DANGER:** Indicates an imminently hazardous situation which, if not avoided, **will** result in **death or serious injury**.



**WARNING:** Indicates a potentially hazardous situation which, if not avoided, **could** result in **death or serious injury**.



**CAUTION:** Indicates a potentially hazardous situation which, if not avoided, **may** result in **minor or moderate injury**.



**NOTICE:** Indicates a practice **not related to personal injury** which, if not avoided **may** result in **property damage**.

This unit was designed for specific applications. It should not be modified and/or used for any application other than that which it was designed.



**WARNING:** When using this product basic precautions should always be followed, including the following:

1. Read all the instructions before using the product.
2. To reduce the risk of injury, do not operate near children or animals.
3. Know how to stop the product and bleed pressures quickly. Be thoroughly familiar with the controls.
4. Stay alert - watch what you are doing.
5. Do not operate the product when fatigued or under the influence of alcohol or drugs.
6. Keep operating area clear of all persons.
7. Do not overreach or stand on an unstable surface. Keep good footing and balance at all times.
8. Follow the maintenance instructions specified in the manual.
9. This product is provided with a Ground Fault Circuit Interrupter built into the power cord plug. If replacement of the plug or cord is needed, use only identical replacement parts.
10. Do not touch plug or outlet with wet hands.
11. Avoid accidental starts. Move switch on unit to "OFF" position before connecting or disconnecting cord to electrical outlets.
12. Water spray must never be directed towards any electric wiring or directly towards the pressure washer machine itself or fatal electric shock may occur.
13. Never carry your pressure washer by the cord. Do not pull on the cord to disconnect from the outlet.
14. To prevent damage, the cord should not be crushed, placed next to sharp objects or near a heat source.

## SAFETY INFORMATION

15. Check power cords before using. Damaged cords can reduce performance of pressure washer or cause a fatal electric shock.
16. The narrow pin point stream is very powerful. It is not recommended for use on painted surfaces, wood surfaces or items attached with an adhesive backing.
17. Keep operating area clear of all persons and animals.
18. Always use both hands when operating pressure washer to maintain complete control of the wand.
19. Do not touch nozzle or water spray while operating.
20. Wear safety goggles while operating.
21. Disconnect power plug from the outlet when not in use and prior to the detaching of the high pressure hose.
22. Never tie knots or kink the high pressure hose as damage could result.
23. Do not operate or store this product in temperatures below 40°F. Freeze damage is not covered by the warranty.
24. Carefully observe all chemical instructions and warnings before using. Use only approved pressure washer cleaners. Do not use bleach, chlorine, or any cleaners containing acids. Always follow manufacturer's label recommendations for proper use of cleaners. Always protect eyes, skin and respiratory system from cleaners.
25. The pressure washer should not be used in areas where gas vapors may be present. An electric spark could cause an explosion or fire.
26. To minimize the amount of water getting into the pressure washer, the unit should be placed as far as possible from the cleaning site during operation.
27. To prevent accidental discharge, the spray gun should be secured by locking the trigger when not in use.
28. To allow free air circulation, the pressure washer should NOT be covered during operation.
29. Never spray flammable liquids or use pressure washer in areas containing combustible dust, liquid, or vapors.
30. Never use with any other manufacturer's accessories or components.



**DANGER:** Risk of injection or injury - Do not direct discharge stream at persons or live animals.



**WARNING:** This product contains chemicals known to the State of California to cause cancer, and birth defects or other reproductive harm. In addition, some cleaning products and dust contain chemicals know to the State of California to cause cancer, and birth defects or other reproductive harm.  
***Wash hands after handling.***

**“SAVE THESE INSTRUCTIONS”**

## SAFETY FEATURES

### **AUTOMATIC TOTAL STOP®**

The pressure washer is equipped with a stop device which will sense when the trigger on the gun is released. It will open the power circuit to the motor and cause the pressure washer to stop.



**WARNING:** If Automatic Total Stop® fails to operate, DO NOT USE THE MACHINE. Contact our Customer Service department. Further use will damage the machine and/or cause personal injury.



**WARNING:** The pressure washer is also equipped with a main power ON/OFF switch located on the unit. It should always be moved to the OFF position when the pressure washer is not being used to prevent possible injury or damage.

### **MOTOR OVERLOAD**

The electric motor in this pressure washer is equipped with an overload protection device which will automatically shut off the motor in the event the motor draws excessive current or overheats. The device will automatically reset itself and resume normal operation after a short period of time.

### **GROUND-FAULT CIRCUIT INTERRUPTER PROTECTION**

This pressure washer is provided with a Ground-Fault Circuit-Interrupter (GFCI) built into the plug of the power supply cord. This device provides additional protection from the risk of electric shock. Should replacement of the plug or cord become necessary, use only identical replacement parts that include GFCI protection.

### **SERVICING A DOUBLE-INSULATED APPLIANCE**



In a double-insulated product, two systems of insulation are provided instead of grounding. No grounding means is provided on a double-insulated product, nor should a means for grounding be added to the product. Servicing a double-insulated product requires extreme care and knowledge of the system, and should be done only by qualified service personnel. Replacement parts for a double-insulated product must be identical to the parts they replace. A double-insulated product is marked with the words “DOUBLE-INSULATION” or “DOUBLE-INSULATED”. The symbol above may also be marked on the product.

## POWER SUPPLY AND ELECTRICAL INFO

### GROUND-FAULT CIRCUIT INTERRUPTER PROTECTION

The pressure washer is factory-equipped with an electrical cord and a Ground Fault Circuit Interrupter (GFCI) power plug. This cord should only be connected to an electrical outlet installed in accordance with local safety regulations. NOTE: The power supply must be 120 V, 60 Hz and a minimum 15 amp dedicated circuit.

- A. Inspect cord before using. Do not use if cord is damaged.
- B. Keep all connections dry and off the ground.
- C. Do not touch plug with wet hands.
- D. The pressure washer is provided with a ground fault circuit interrupter built into the power plug. If replacement of the plug or cord is needed, use only identical replacement parts. Contact Customer Service for proper replacement parts.



**WARNING:** Test GFCI before each use. DO NOT use pressure washer if test below fails.

GFCI Test Procedures:

- 1) Plug GFCI into power receptacle. Indicator light should illuminate.
- 2) Press test button. Light should turn off.
- 3) Press reset button for use. Indicator light should illuminate. Do not use if above test fails.

NOTE: The GFCI must be reset each time the pressure washer is connected to an electrical outlet. Reset by simply pushing the reset button on the GFCI power plug.

Extension cords are not recommended unless they are plugged into a receptacle protected by a ground fault circuit interrupter. Any extension cord used must be 12 AWG outdoor with maximum length of 25 feet to prevent excessive voltage loss. Use only extension cords intended for outdoor use. These extension cords are identified by a marking "Acceptable for use with outdoor appliances; store indoors when not in use".

### EXTENSION CORDS

Use only extension cords that are intended for outdoor use. These extension cords are identified by a marking "Acceptable for use with outdoor appliances; store indoors while not in use". Use only extension cords having an electrical rating not less than the rating of the product. Do not use damaged extension cords. Examine extension cord before using and replace if damaged. Do not abuse extension cord and do not yank on any cord to disconnect. Keep cord away from heat and sharp edges. Always disconnect the extension cord from the receptacle before disconnecting the product from the extension cord.

When using an extension cord, observe the specification below:

Cable Length - Up to 25 ft.

Wire Gauge - 12 AWG Outdoor



**DANGER:** To reduce the risk of electrocution, keep all connections dry and off the ground. Do not touch plug with wet hands.

**PACKAGE CONTENTS**

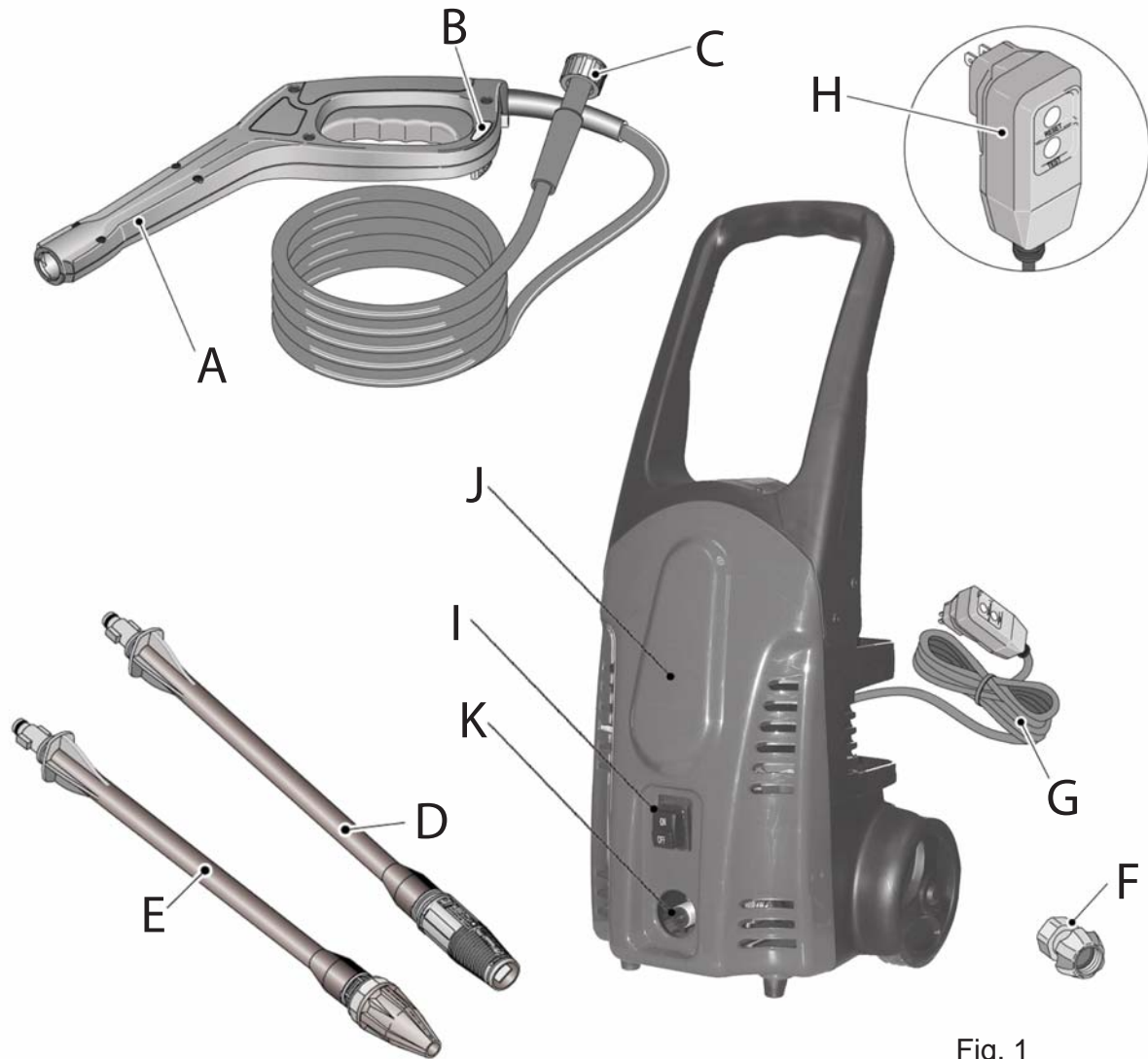


Fig. 1

Part	Description	Quantity
A	Spray gun	1
B	Gun safety	1
C	High pressure hose	1
D	Variable spray lance	1
E	Turbo spray lance	1
F	Garden hose connector	1
G	Power cord	1
H	GFCI plug	1
I	ON/OFF switch	1
J	Motor and pump in case	1
K	High pressure outlet	1
N/A	Detergent siphon tube	1

## OPERATING INSTRUCTIONS

### Step 1

Remove the shipping plug from the outlet on the front of the machine.

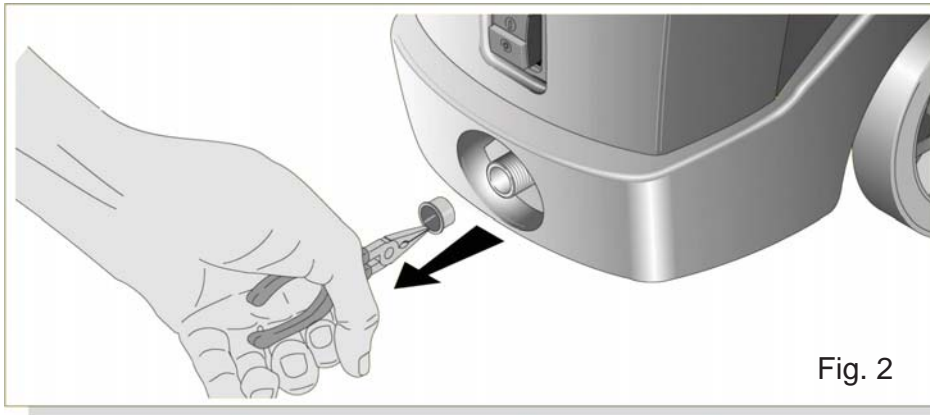


Fig. 2

### Step 2

Connect the high pressure hose to the machine outlet. To connect, carefully insert the fitting with the o-ring into the high pressure outlet and tighten the threaded nut by hand.

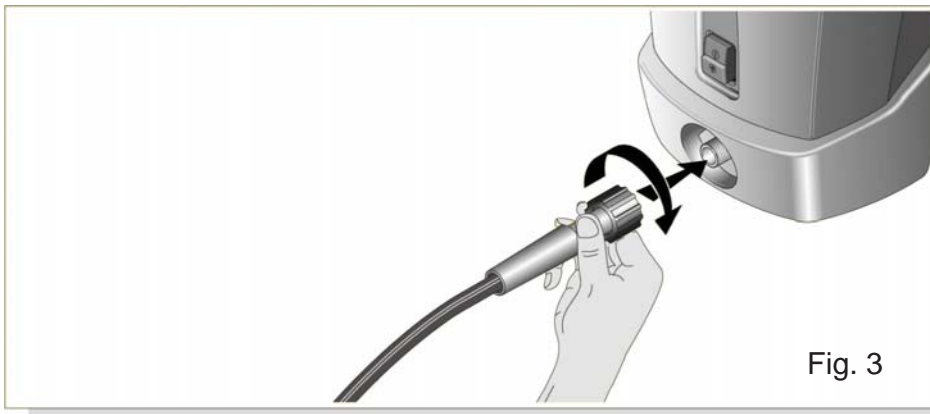


Fig. 3

### Step 3

Connect the garden hose to the connector on the back of the machine. Before connecting, run water through the garden hose (not supplied) to flush out any foreign matter. If your water source is a well, the garden hose length can only be 30 ft. maximum.

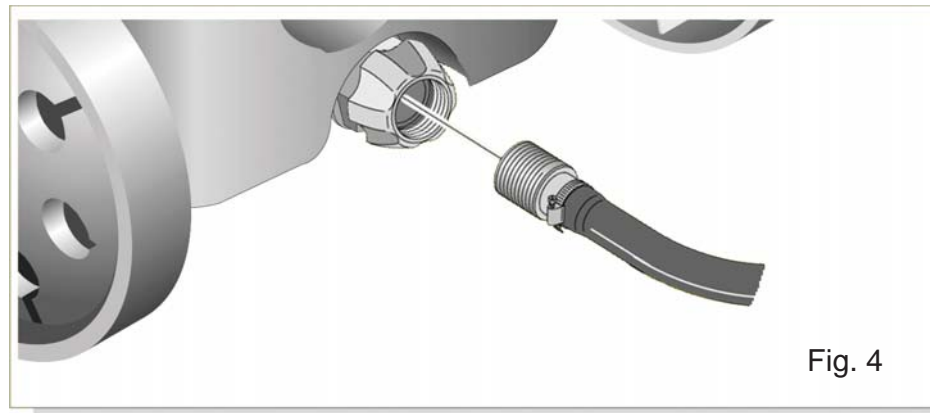
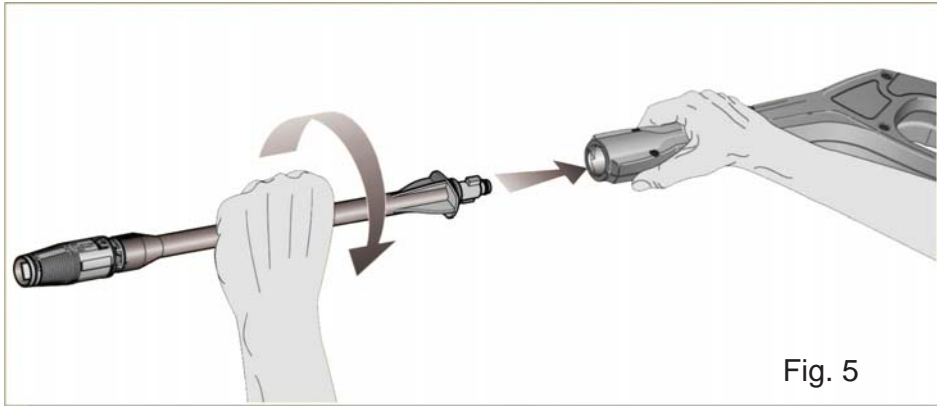


Fig. 4

## OPERATING INSTRUCTIONS

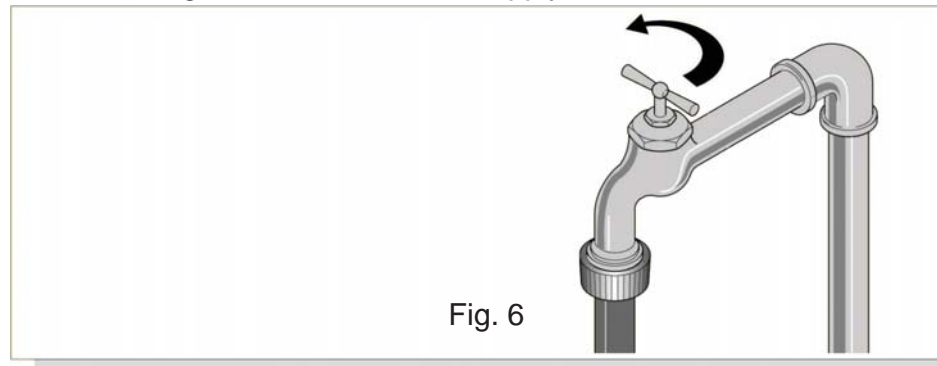
### Step 4

Insert the spray lance into the gun by pushing firmly and simultaneously twisting 1/4 of a turn until locked into place.



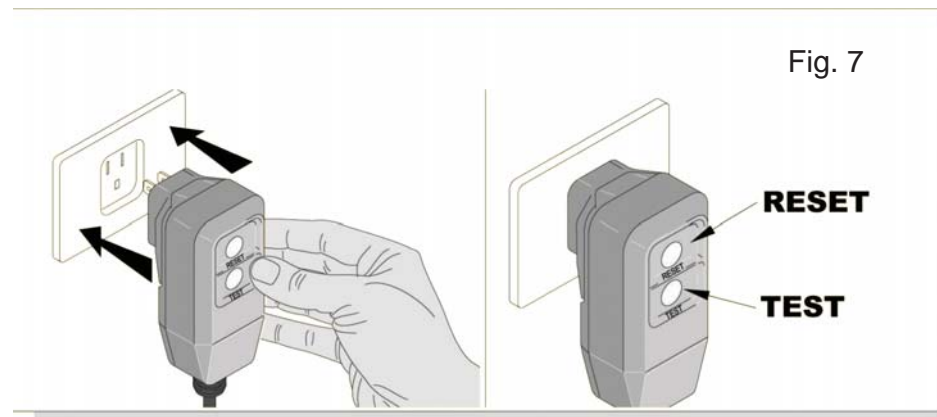
### Step 5

Connect the garden hose to water supply and turn water on.



### Step 6

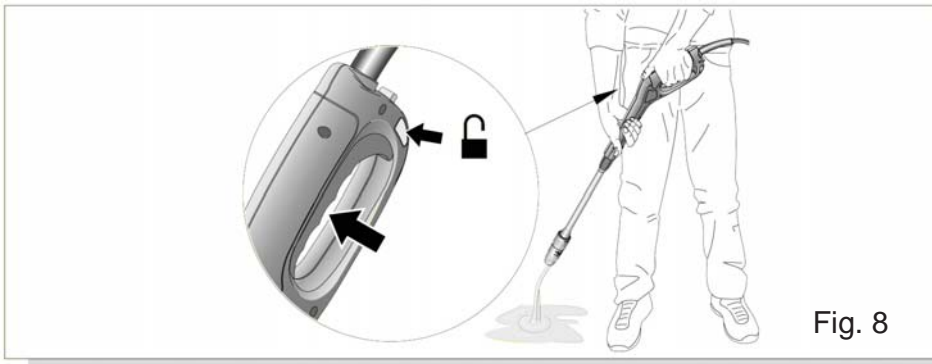
Plug GFCI into power receptacle. Firmly press and release the TEST button, then press and release the RESET button. The light on the GFCI should be illuminated.



## OPERATING INSTRUCTIONS

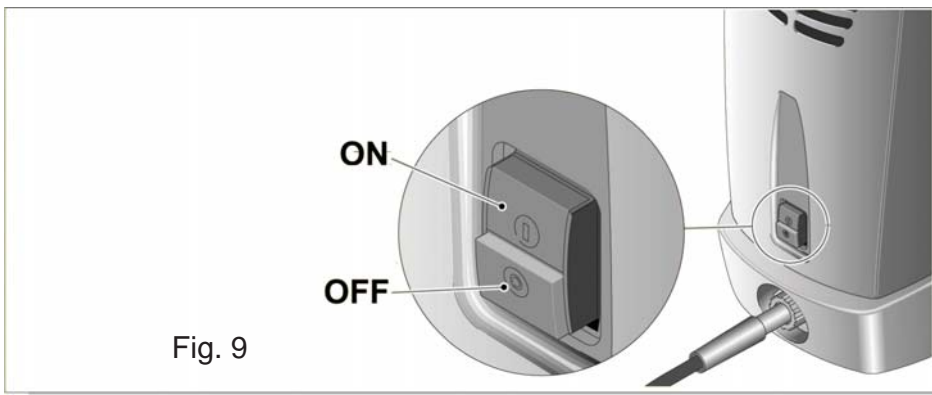
### Step 7

Before turning unit on, squeeze and hold trigger to bleed any trapped air out of the unit. Release trigger when water flow is steady.



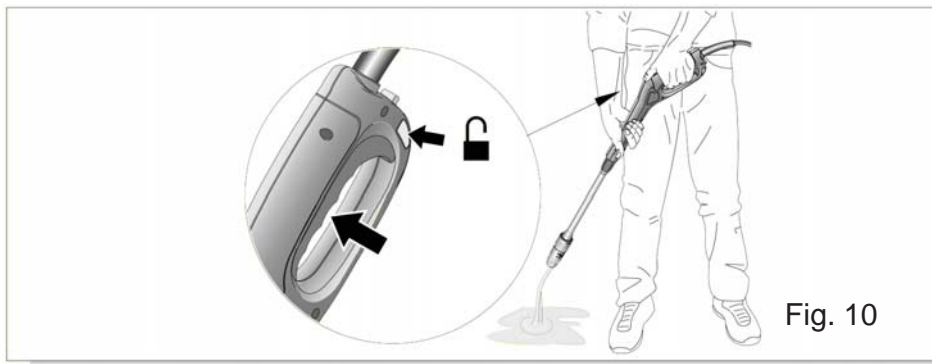
### Step 8

Depress the ON button. Note that the motor will momentarily start and then stop.



### Step 9

Squeeze the trigger to start motor and begin pressure washing.



## OPERATING INSTRUCTIONS

- !** **DANGER:** Risk of Injection or Injury. Do not directly discharge stream at anyone.
- !** **DANGER:** If the lance and nozzle are not securely locked into place, they could be ejected under high pressure when operating the gun.
- !** **DANGER:** Make sure the wand is pointed in a safe direction when starting the pressure washer. Do not point at face or feet as serious injury could result.

### High Pressure / Low Pressure Spray

- !** **DANGER:** Do not touch the nozzle to adjust pressure while the trigger is squeezed.

The high pressure nozzle position is intended for cleaning. When high pressure is required, grasp the variable spray nozzle head and slide back fully toward the gun. (Fig.11)



Fig. 11

The low pressure nozzle position is intended for dispensing detergent. When low pressure is required, grasp the variable spray nozzle head and slide fully forward away from the gun. (Fig.12)



Fig. 12

## OPERATING INSTRUCTIONS

### Variable Spray Nozzle

The variable spray nozzle can adjust from fan to pencil point spray in both the high and low pressure positions. The spray can be adjusted by turning the nozzle head.



**NOTICE:** The pencil point spray adjustment is very aggressive. We recommend that for most cleaning applications a 20° spray angle be used to avoid damage to the surface being cleaned.

**NOTE:** The pressure of the spray on the surface you are cleaning increases as you move the wand closer to the surface.

To adjust the spray pattern, turn the nozzle head clockwise or counterclockwise as desired. (Fig.13)



### Turbo Spray Nozzle



**NOTICE:** Do not attempt to move the turbo nozzle to adjust pressure. The turbo nozzle is not adjustable.

The turbo lance high pressure spray pattern delivers the optimal cleaning effect. Keep the turbo lance a minimum of 8 in. away from the cleaning surface at all times.



## OPERATING INSTRUCTIONS

### Detergent

**! NOTICE:** Use only approved pressure washer cleaners. Do not use bleach, chlorine, or any cleaners containing acids.

- 1) Open container of pressure washer detergent and place next to unit near injection tube.
- 2) Visually inspect strainer at the end of injection to ensure it is not clogged.
- 3) Insert the injection tube into the container all the way to the bottom. (Fig. 15)
- 4) Move the adjustable nozzle to the low pressure position. (Fig. 16)
- 5) Squeeze the trigger and the detergent will automatically be mixed with the water and dispensed from the nozzle.

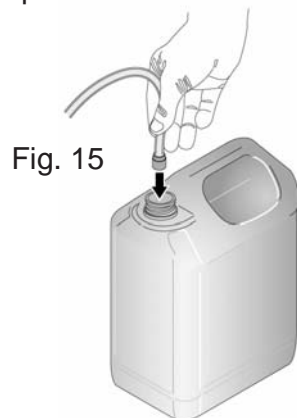


Fig. 15

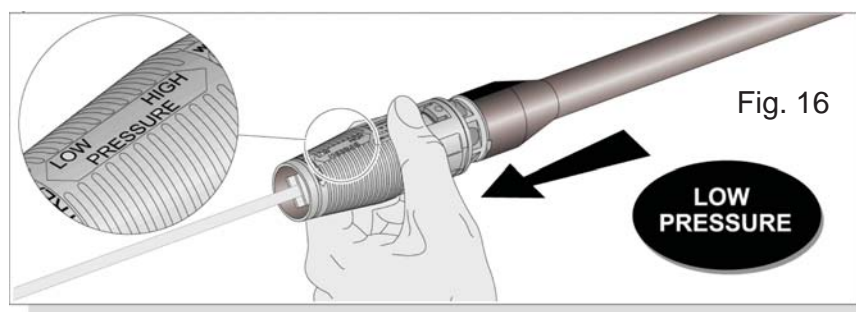


Fig. 16

## CLEANING TECHNIQUES

When cleaning with the pressure washer, some cleaning tasks can be solved with water alone, but for most tasks it is advantageous to use a detergent. A detergent ensures a quick soaking of the dirt allowing the high pressure water to penetrate and remove the dirt more effectively. The low pressure position provides a gentle application of detergents. This position is also recommended to rinse a surface after wax application or for other applications which require the low pressure of a garden hose.

### Application of Detergent

**! NOTICE:** Damage may occur to painted surface if detergent is allowed to dry on the surface. Wash and rinse a small section at a time. Avoid working on hot surfaces or in direct sunlight.

- 1) Apply the solution to a dry work surface. Note that wetting the surface first is not recommended, as it dilutes the detergent and reduces its cleaning ability. On a vertical surface, apply horizontally from side to side starting from the bottom to avoid streaking.
- 2) Allow detergent to remain on the surface for short time before rinsing. Do not allow the detergent to dry on the surface.
- 3) Rinse with clean water under high pressure. On a vertical surface, first rinse from the bottom up, then rinse from the top down. Hold nozzle 6 to 8 inches from the work surface at a 45° angle using the flat spray as a peeling tool rather than a scrub brush.
- 4) When you have completed use of the detergent injection system, continue to run in low pressure position and flush clean water through the system.

NOTE: Failure to clean properly will cause the injection system to become clogged and inoperable.

## END OF USE AND WINTER STORAGE INSTRUCTIONS

- 1) When finished using the pressure washer, you must first flush clean water through the detergent injection system.
- 2) Turn the machine OFF and squeeze the trigger to release the trapped pressure inside of the machine.
- 3) Disconnect the garden hose and the high pressure hose from the front of the unit.
- 4) Turn ON the machine and allow it to run for 5 seconds. (This will clear out most of the water trapped in the pump)
- 5) Store the machine and accessories in a dry, climate controlled environment. **Do not store the machine or accessories in a place where the temperature could drop below 40°F. FREEZE DAMAGE IS NOT COVERED BY THE WARRANTY.**

## CARE AND MAINTENANCE

### Connections

Connections on Pressure Washer hoses, gun and spray wand should be cleaned regularly and lubricated with non-water soluble grease to prevent leakage and damage to the o-rings.

### Nozzles

The nozzles should be lubricated with non-water soluble grease or light oil regularly. Clogging of the nozzle causes the pump pressure to build up too high and cleaning is immediately required.

- 1) Clear blockage in nozzle by forcing stiff wire through center hole.
- 2) Backflush the nozzle with water. Restart the pressure washer and depress the trigger on the spray gun. If the pressure is still too high, repeat steps 1-2.

### Lubrication

The pressure washer is designed with a permanent lubrication system. Conventional oil check and oil changes are not necessary.

NOTE: In case of oil leakage, contact our customer service department.

### Water Screen



**NOTICE:** If the screen is not kept clean, the flow of water to the pressure washer will be restricted and the pump may be damaged.



**NOTICE:** Do not damage the screen while removing or cleaning. Any foreign particles entering the pump may damage the pump.

To clean inner water screen, first remove the garden hose connector. Turn counter-clockwise to remove the garden hose connector from the machine inlet. Then remove the filter screen from the inlet. Backflush screen to clean. Replace screen and garden hose connector immediately to prevent any foreign matter from entering the pump.



**NOTICE:** Do not overtighten garden hose connector to machine inlet. Damage and leaking will occur. Any damage will not be covered under warranty.

## TROUBLESHOOTING

PROBLEM	POSSIBLE CAUSE	CORRECTION
Motor will not start or stops while operating.	Defective GFCI.	Perform GFCI reset procedure. See Operator's Manual page 6.
	Extension cord length or gauge incorrect.	Use proper extension cord. See Operator's Manual page 6.
	Loose or disconnected plug.	Reconnect plug.
	Tripped pressure washer thermal switch.	Allow to cool and restart unit.
	Spray Gun Trigger not operating properly.	Call Customer Service.
	Defective gun.	Remove gun, aim water stream away from electrical source, and press ON. If machine starts, replace gun assembly by contacting Customer Service.
Circuit breaker trips or fuse blown in fuse box.	Circuit overload.	Check that the circuit is rated 15 amps or greater.
	Extension cord too long or wire size too small.	Use proper extension cord as recommended on Operator's Manual page 6.
	Nozzle partially blocked.	Clean nozzle as instructed on page 14.
	Excessive pressure.	Clean nozzle as instructed on page 14.
Water or oil leaking from bottom of pump.	A small amount of leakage is normal.	If excessive leaking occurs, call Customer Service.
Water leaking from garden hose inlet connection.	Garden hose connector is not fully tightened.	Tighten garden hose connector by turning clockwise.
Trigger will not move.	Spray gun safety lock engaged.	Release safety lock.
Unit will not stop when trigger is released.	Spray gun trigger system not operating properly.	Call Customer Service.
Motor running but pump not building maximum pressure or has irregular pressure.	Faucet closed.	Open faucet.
	Water inlet screen clogged.	Clean screen. See page 14.
	Gun and hose failure.	Replace gun and hose.
	Kink in garden hose.	Straighten hose.
	Nozzle worn out.	Replace spray nozzle.
	Air in pump.	Let pressure washer run with gun open and wand removed until steady stream of water is released.
	Clogged nozzle.	Clean nozzle. See manual page 14.

## LIMITED 1-YEAR WARRANTY

### Limited Warranty

This product is warranted against defects in material and workmanship for a period of one year on all components excluding the gun, hose, lances, nozzles, and ground fault circuit interrupter (GFCI) which are only covered for 90 days; effective from the date of retail purchase and is not transferable. This warranty excludes incidental/consequential damages and failures due to misuse, abuse or normal wear and tear. This warranty applies only to products used in consumer (home) applications. This warranty does not apply to commercial or rental applications. This warranty gives you specific rights, and you may also have other rights, which vary from state to state.

Please complete and return the enclosed Customer Information Card. Return of this card is not required to validate this warranty.

If you have any questions, please contact our customer service department at [www.power-washer.us](http://www.power-washer.us) or 1-800-381-0999.

**What is covered:** Replacement parts and labor. Please note that we reserve the right to repair or replace the product as we deem appropriate.

**What is not covered:** This warranty does not include such parts as nozzles which must be replaced as part of normal maintenance of the equipment, rather than as the result of a defect. Transportation charges to warranty center for defective products. Transportation charges to consumer for repaired products. Damages caused by abuse, accident, improper repair, or failure to perform normal maintenance. Use of improper chemicals or noncompliance with the operators manuals instructions. Sales outside of the United States or Canada. Any other expense including consequential damages, incidental damages, or incidental expenses, including damage to property. Some states do not allow the exclusion or limitation of incidental or consequential damages, so the above limitation or exclusion may not apply to you. This warranty does not cover damage resulting from failure to observe any of the following conditions:

- 1) The inlet water pressure must be between 20 and 100 p.s.i.
- 2) The inlet water temperature must not exceed 90°F (32°C).
- 3) The unit should not be stored in areas where temperatures may drop below 40°F (4°C).

### Implied Warranties

Any implied warranties, including the implied warranties of merchantability and fitness for a particular purpose, are limited in duration to one year on all components excluding the gun, hose, lance, and ground fault circuit interrupter (GFCI) which are only covered for 90 days; effective from the date of retail purchase and is not transferable. This warranty excludes incidental/consequential damages and failures due to misuse, abuse or normal wear and tear. This warranty applies only to products used in consumer (home) applications. This warranty does not apply to commercial or rental applications. This warranty gives you specific rights, and you may also have other rights, which vary from state to state.

Printed in China