

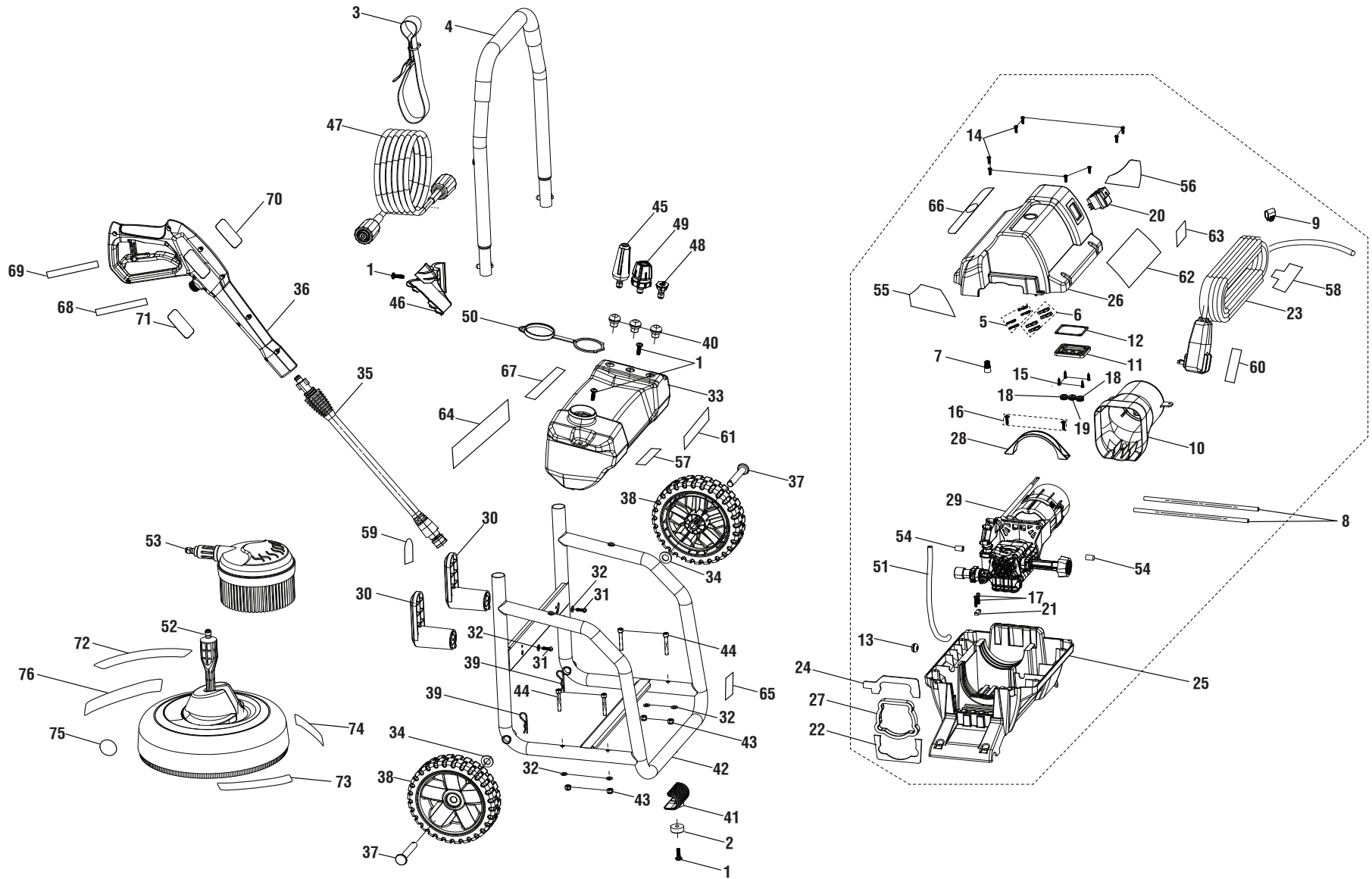


**ELECTRIC PRESSURE WASHER  
ITEM NO. BM80721SB  
MFG NO. 090079362  
REPLACEMENT PARTS LIST**

**OWT INDUSTRIES, INC.**

P.O. Box 1427  
Anderson, SC 29622 USA  
1-800-726-5760  
[www.blackmaxtools.com](http://www.blackmaxtools.com)

Figure A



## BLACKMAX PRESSURE WASHER – MODEL NO. BM80721SB

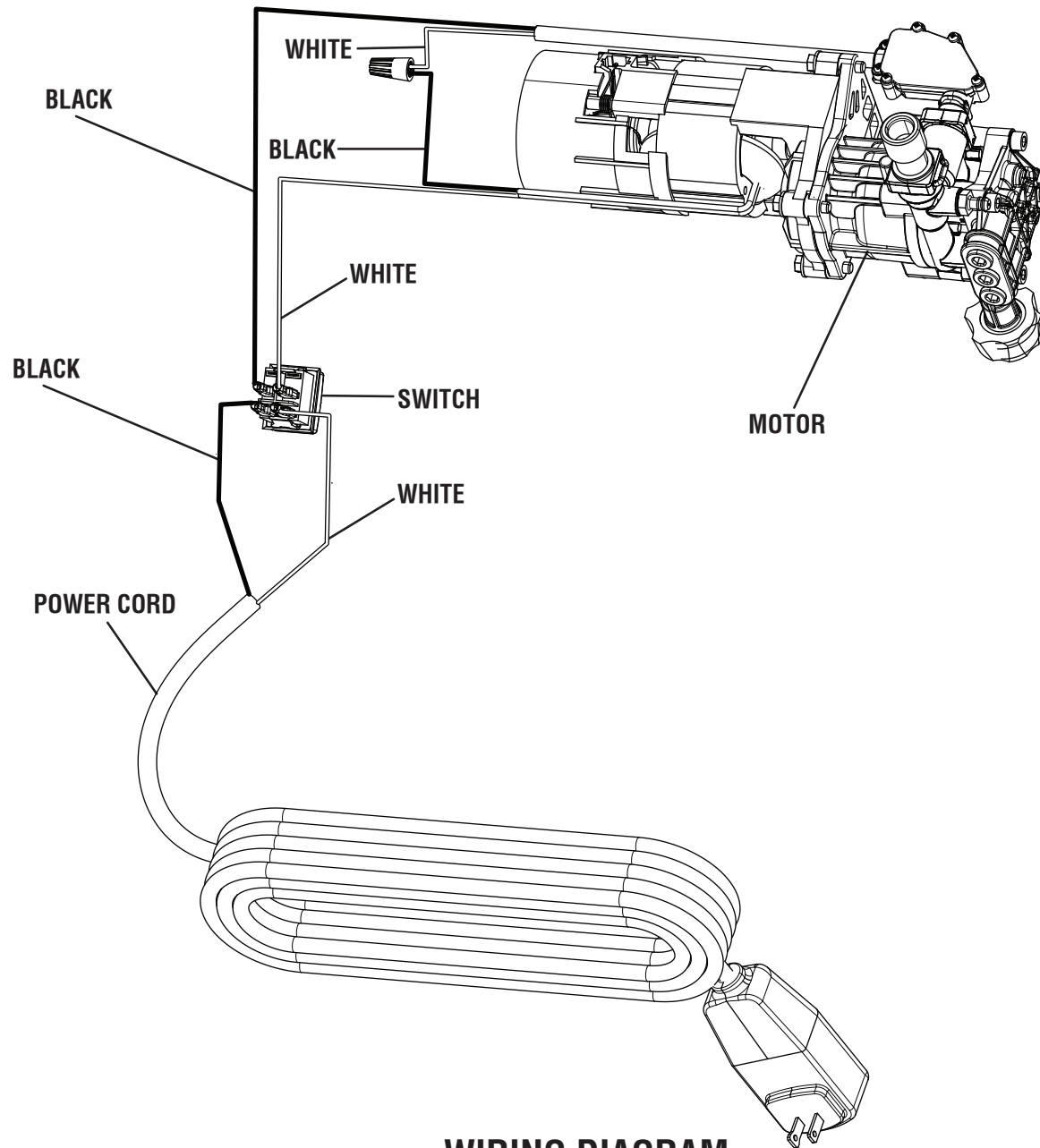
The model number will be found on a label attached to pump housing. Always mention the model number in all correspondence regarding your **PRESSURE WASHER** or when ordering replacement parts.

### FIGURE A PARTS LIST

KEY NO.	PART NUMBER	DESCRIPTION	QTY.	KEY NO.	PART NUMBER	DESCRIPTION	QTY.
1	660481019	Bolt (M6 x 20 mm) .....	4	41	523406008	Plastic Foot .....	1
2	570554018	Rubber Foot .....	1	42	308582071	Main Frame .....	1
3	310801004	Hose Storage Strap .....	1	43	678460001	Lock Nut (M6) .....	4
4	308638050	Handle Assembly .....	1	44	660481015	Bolt (M6 x 40 mm) .....	4
5	630236004	Terminal Connector .....	4	45	308311014	Turbo Nozzle .....	1
6	527784005	Plastic Sleeve .....	4	46	519313010	Trigger Handle Holder .....	1
7	870601001	Wire Nut .....	1	47	308835065	High Pressure Hose .....	1
8	570113003	Thermal Sleeve .....	2	48	308698023	15° Nozzle .....	1
9	528499001	Cord Clip .....	1	49	308311023	Soap Blaster Nozzle .....	1
10	522038007	Air Shroud .....	1	50	310650004	Detergent Cap .....	1
11	570417002	Switch Cover .....	1	51	561399009	Detergent Injection Hose .....	1
12	570740016	Switch Cover Gasket .....	1	52	308999035	Surface Cleaner Attachment (11 in.) .....	1
13	561383025	Grommet (Housing) .....	1	53	308073011	Rotary Brush Attachment .....	1
14	661403016	Screw (M4.2 x 15 mm, Pan Hd.) .....	8	54	570570002	Bushing .....	2
15	661403015	Screw (M2.9 x 14 mm, L.H.) .....	4	55	940654309	Regulatory Danger Label .....	1
16	661403014	Screw (M4.2 x 16 mm, Washer Hd.) .....	2	56	940707084	Danger Label .....	1
17	661610008	Screw (M3.5 x 20 mm, Button Hd.) .....	2	57	941608005	Soap Dilution Label .....	1
18	561383012	Grommet (ID7.2 x OD11) .....	2	58	940324013	Cordwrap Warning Label .....	1
19	561383024	Motor Grommet .....	1	59	941076001	Cord Unlock Label .....	1
20	760504007	Main Switch .....	1	60	940603006	Cord Plug Label .....	1
21	522051003	Cord Clamp .....	1	61	940779203	Performance Label .....	1
22	525894001	Gasket .....	1	62	940705378	Logo Label .....	1
23	290426022	Power Cord .....	1	63	940734079	On/Off Switch Label .....	1
24	525894002	Gasket .....	1	64	940617187	Quick Start Label .....	1
25	522038004	Bottom Housing .....	1	65	941486009	Inquiries Label .....	1
26	522032027	Top Housing .....	1	66	940786041	Nozzle Selection Label .....	1
27	980414010	Foam .....	1	67	940608036	Detergent Tank Label .....	1
28	525893001	Bracket/Motor Strap .....	1	68	940904003	Trigger Handle Rating Label .....	1
29	<b>NOTE</b>	Motor and Pump Assembly .....	1	69	940324024	Trigger Handle Warning Label (French/Spanish) .....	1
30	522037003	Cord Wrap Arm .....	2	70	940324040	Trigger Handle Warning Label (English) .....	1
31	661403019	Screw (M4.8 x 19 mm, Button Hd.) .....	2	71	940786057	Trigger Handle Logo Label .....	1
32	678600010	Washer (M6) .....	6	72	940779204	Performance Label .....	1
33	580875026	Soap Tank .....	1	73	940654299	Surface Cleaner Danger Label .....	1
34	678889003	Washer (ID12.5 x OD24 x 2t) .....	2	74	940324041	Surface Cleaner Rating Label .....	1
35	308494075	Spray Wand .....	1	75	940507002	No Hands Label (Cleaning Deck) .....	1
36	308760059	Trigger Handle .....	1	76	940705289	Logo Label .....	1
37	620599029	Wheel Axle .....	2		<b>Not Shown:</b>		
38	308603007	Wheel .....	2		995000132	Operator's Manual	
39	678238004	Cotter Pin .....	2				
40	561383021	Nozzle Grommet .....	3				

**NOTE:** Techtronic Industries Power Equipment, Inc. will not provide a complete motor/pump as a replacement part. Contact our service department for assistance.

**BLACKMAX PRESSURE WASHER – MODEL NO. BM80721SB**



**WIRING DIAGRAM**