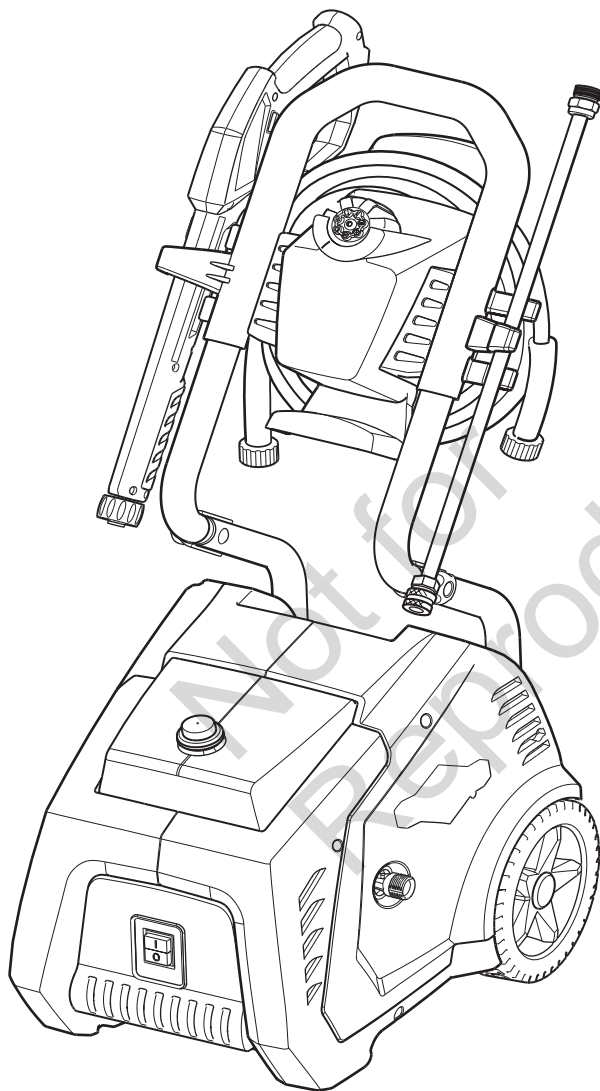




**020619-00 &  
020671-00  
(BPW1800PX)**



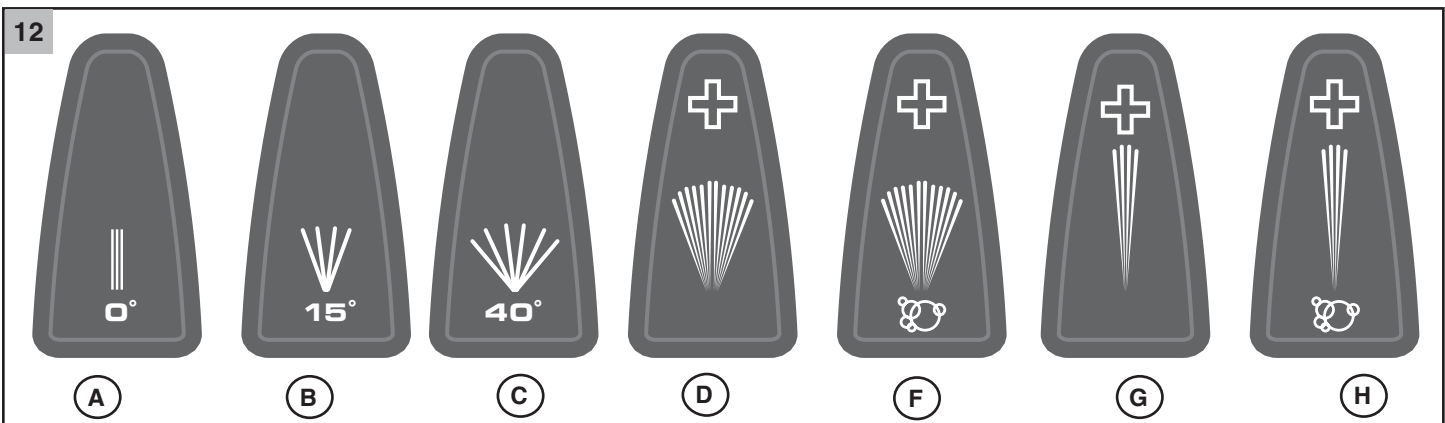
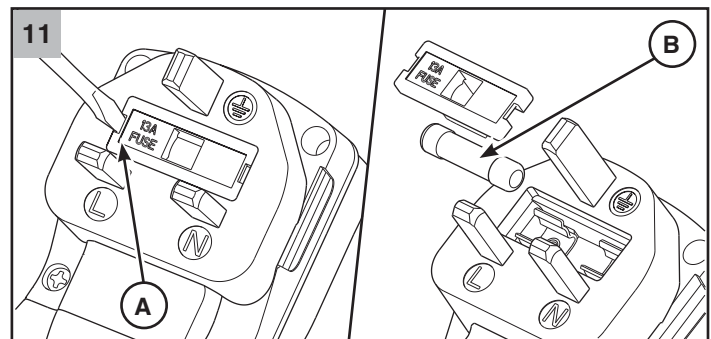
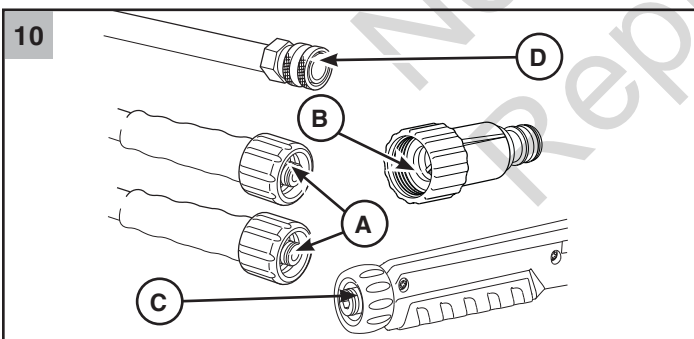
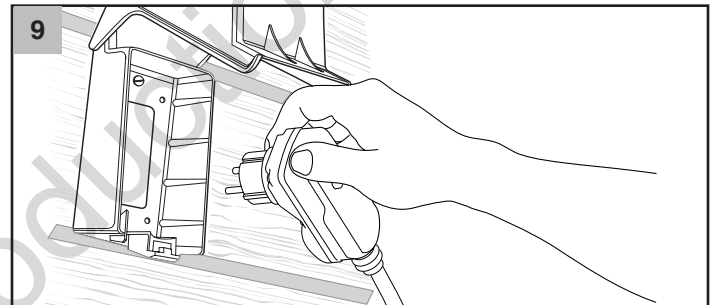
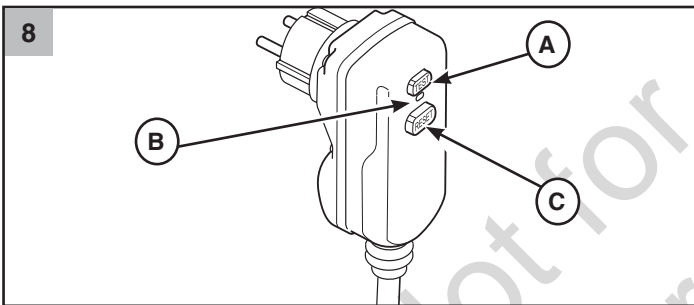
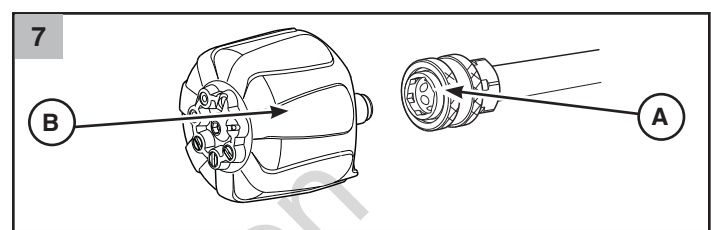
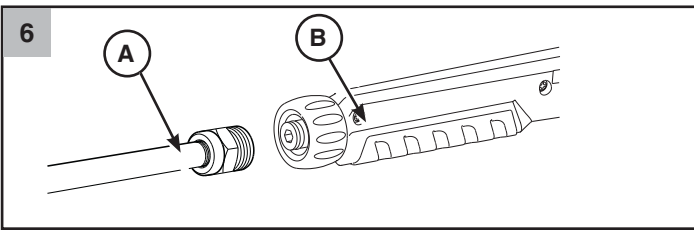
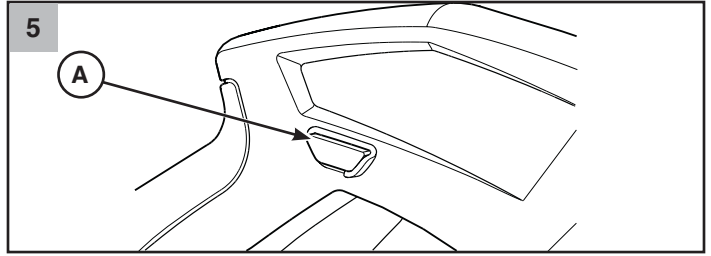
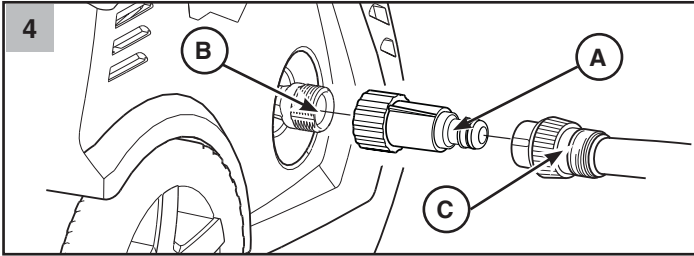
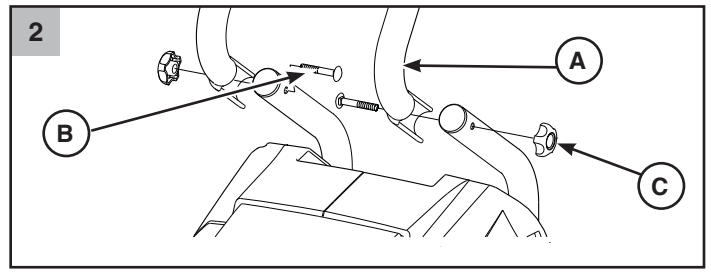
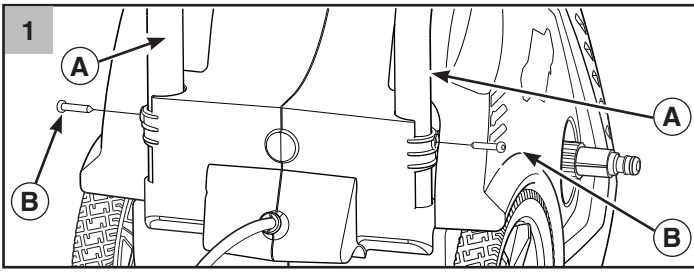
- en - English
- ar - العربية
- bg - български език
- cs - Čeština
- da - Dansk
- de - Deutsch
- el - Ελληνικά
- es - Español
- et - Eesti keel
- fi - Suomi
- fr - Français
- hr - Hrvatski
- hu - Magyar
- it - Italiano
- lt - Lietuvių k.
- lv - Latviešu
- nl - Nederlands
- no - Norsk
- pl - Polski
- pt - Português
- ro - Română
- ru - Русский
- sk - Slovenčina
- sl - Slovenščina
- sv - Svenska
- sw - Kiswahili
- tr - Türkçe
- uk - Український

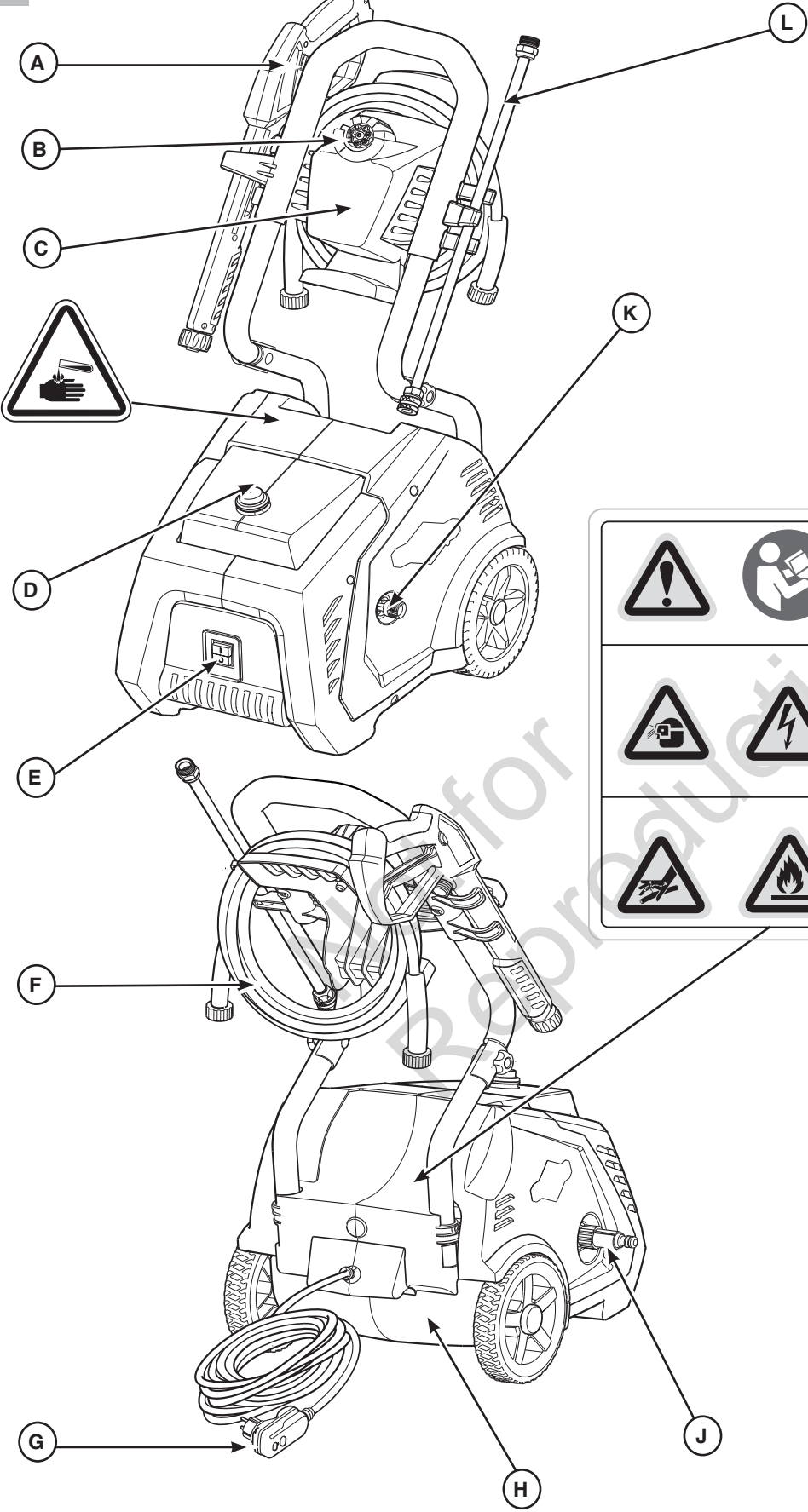
**BRIGGS & STRATTON CORPORATION  
MILWAUKEE, WISCONSIN, U.S.A.**

Copyright © 2017. Briggs & Stratton Corporation  
Milwaukee, WI, USA. All rights reserved.



Manual No. 80019640 Rev A





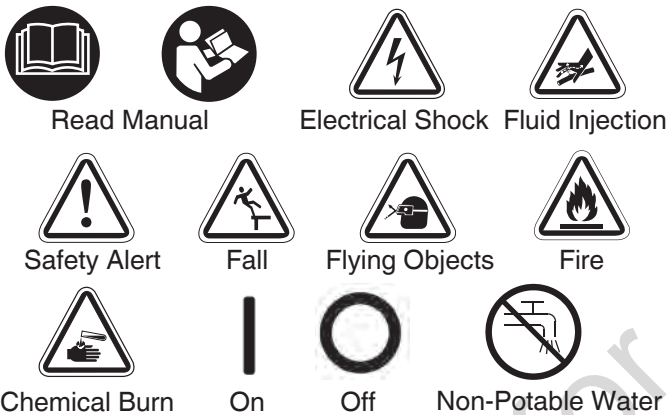

80016482

# Table of Contents

- Safety and Control Symbols ..... 4
- Equipment Description ..... 4
- Assembly ..... 5
- Features and Controls ..... 5
- Operation ..... 5
- Maintenance ..... 7
- Storage ..... 7
- Troubleshooting ..... 8
- Specifications ..... 8
- Warranty ..... 10

## Safety and Control Symbols

A safety symbol may be used to represent the type of hazard. **WARNING** indicates a hazard which, if not avoided, *could* result in death or serious injury. **NOTICE** address practices not related to personal injury.



Never spray yourself, others, animals, power sources, or the unit itself.


This machine is not intended for use by persons (including children) with reduced physical, sensory or mental capabilities, or lack of experience and knowledge, unless supervised and given instruction concerning safe operation and understanding of hazards involved.

### WARNING

- This machine has been designed for use with the cleaning agent supplied or recommended by the manufacturer. The use of other cleaning agents or chemicals may adversely affect the safety of the machine.

- High pressure jets can be dangerous if subject to misuse. The jet must not be directed at persons, live electrical equipment or the machine itself.
- Do not use the machine within range of persons unless they wear protective clothing.
- Do not direct the jet against yourself or others in order to clean clothes or foot-wear.
- Risk of explosion – Do not spray flammable liquids.
- High pressure cleaners shall not be used by children or untrained personnel.
- High pressure hoses, fittings and couplings are important for the safety of the machine. Use only hoses, fittings and couplings recommended by the manufacturer.
- To ensure machine safety, use only original spare parts from the manufacturer or approved by the manufacturer
- Water that has flown through backflow preventers is considered to be non-potable.
- Remove plug from outlet to disconnect power during cleaning or maintenance and when replacing parts
- Do not use the machine if the cord or important parts of the machine are damaged, e.g. safety devices, high pressure hoses, trigger gun.
- Do not use an extension cord with this electric pressure washer.
- Always switch off the master switch when leaving the machine unattended.

## Equipment Description

 Read this manual carefully and become familiar with pressure washer. Know its applications, its limitations, and any hazards involved. Save these original instructions for future reference.

This electric pressure washer operates at a maximum of 12.0 MPa (120 BAR or 1,740 PSI (pounds square inch)) at a flow rate of up to 15.0 LPM (liters per minute)(4.0 GPM (gallons per minute)).

Every effort has been made to ensure that information in this manual is accurate and current. However, we reserve the right to change, alter, or otherwise improve the product and this document at any time without prior notice.

**NOTICE** If you have questions about intended use, ask dealer or contact qualified service center. NEVER operate units with broken or missing parts, or without protective housing or covers. DO NOT by-pass any safety device on this machine. DO NOT modify pressure washer in any way. This equipment is designed to be used with Briggs & Stratton authorized parts **ONLY**.

### POWERflow+ Technology™

Briggs & Stratton's POWERflow+ Technology is a system of components working in concert to deliver high-flow capability. The force behind POWERflow+ is in the pump with two separate cleaning modes: high pressure and high flow that enhances cleaning by providing extended reach, power soaping, and faster rinsing capabilities.

## Portable Residual Current Device Protection

This pressure washer is provided with a portable residual current device (PRCD) built into the plug of the power supply cord. This device provides additional protection from the risk of electric shock. The PRCD provides 10 mA of protection.

## Automatic Shut-Off

A sensor will shut off the motor when the spray gun trigger releases or locks. If the motor continues to run while the spray gun trigger is released or locked, **DO NOT USE THE MACHINE**. Contact a Briggs & Stratton authorized service dealer.

**NOTICE** ON/OFF switch should always be in the OFF position (0) when pressure washer is not in use.

## Motor Overload

An overload protection device automatically shuts off the motor if it overheats or draws excessive current. If the device trips, disconnect power by pressing master ON/OFF switch to OFF (0) position. Let unit cool for 30 minutes and press ON/OFF switch to ON (I) position.

## EU Disposal



This symbol indicates the owner of batteries and electrical or electronic equipment shall not dispose of this product with unsorted municipal waste. This product should be disposed of in environmentally appropriate waste locations. Please contact Briggs & Stratton or your local retailer for additional disposal information.

## Assembly

### Attaching Support Tubes and Handle Figure 1 2

1. Slide supports (1,A) into slots. Align and attach with screws (1,B). Maintain alignment while tightening.
2. Place handle (2,A) onto supports and align holes.
3. Insert carriage bolts (2,B) through holes from inside of unit, attach with plastic knobs (2,C), and tighten.

## Features and Controls Figure 3

A	Spray Gun	G	Electric Cord w/ PRCD
B	7-in1 Nozzle	H	Identification Label
C	Accessory Tray	J	Water Supply Inlet
D	Detergent Tank	K	High Pressure Outlet
E	Master ON/OFF Switch	L	Nozzle Extension
F	High Pressure Hose		

## Operation

### Connecting Hose and Water Supply Figure 3 4 6

**NOTICE** Use ONLY cold water (less than 38°C (100°F)).

1. Screw high pressure hose (3,F) into gun (3,A).
2. Attach blue high pressure hose (3,F) to outlet (3,K) and tighten.
3. Confirm water inlet screen and black rubber washer is installed in water inlet coupling (4,A).
4. Attach water inlet coupling to inlet (4,B) and tighten.

**NOTICE** For best performance, connect ONLY to water source capable of supplying greater than 18.9 LPM (5.0 GPM) and 0.17-0.52 MPa (1.7-5.2 BAR or 25-75 PSI) at electric pressure washer end of garden hose.

5. Run water through garden hose to clean out debris.

**NOTICE** Using a backflow preventer at pump inlet could cause pump damage. There MUST be at least 3 m. (10 ft.) of unrestricted garden hose between pressure washer inlet and backflow preventer.



**WARNING!** Water that has flowed through a backflow preventer is considered to be non-potable.

6. Connect garden hose (4,C) (not to exceed 15 m (50 ft.)) to water inlet (4,B) and tighten.
7. Turn ON water, point gun in a safe direction, press trigger lock button (5,A), then squeeze trigger to purge system of air.
8. Attach nozzle extension (3,L) to spray gun (3,A). Tighten by hand.
9. Pull back on collar of nozzle extension (7,A), insert 7-in-1 nozzle (7,B) and release collar. Tug on nozzle to make sure it is securely in place. See 7-in-1 Nozzle.

### Starting Pressure Washer Figure 3 8 9



**WARNING!** Spray could splash back or propel objects resulting in serious injury. Always wear indirect vented (chemical splash) safety goggles marked to comply with ANSI Z87.1 when using or in vicinity of this equipment.

1. Press master ON/OFF switch (3,E) to OFF (0) position.



**WARNING!** Risk of electrocution. Use of an extension cord could cause electric shock or burn resulting in death or serious injury. DO NOT use an extension cord with this electric pressure washer. Your home's electrical circuit receptacle or extension cord may not provide lifesaving portable residual current device (PRCD) protection.

2. Plug electrical power cord (3,G) into a dedicated electrical circuit (9) rated for 220-240 volts AC at 10 Amps that is properly installed in accordance with all local codes and ordinances. Circuit is not to supply any other electrical needs.
3. Press RESET button (8,C). Indicator light (8,B) should be ON.

**NOTICE** Indicator light must be ON for the electric pressure washer to operate.

4. Press TEST button (8,A). Indicator light (8,B) should be OFF.
5. Press RESET button (8,C). Indicator light (8,B) should be ON.



**WARNING!** Risk of electrocution. Non-operating PRCD could result in death or bodily injury. If indicator light does not stay ON after test and reset, do not use PRCD.

6. Press master ON/OFF switch to ON (I) position.
7. Point gun in a safe direction, press trigger lock button and squeeze trigger.

The motor will start and stop as spray gun trigger is depressed and released.

## 7-in-1 Nozzle Figure 12

The 7-in-1 nozzle allows you to switch between seven different spray pattern nozzles. Release trigger on spray gun to engage safety lock before changing spray patterns.

- Select desired spray pattern:
  - Select Maximum 0° nozzle (**A**) for stubborn cleaning tasks such as paint removal, oil stains, rust removal or other stubborn substances (tar, gum, grease, wax, etc.).
  - Select General 15° nozzle (**B**) for tougher cleaning tasks. Ideal for removing grease and dirt from hard surfaces. Also capable of stripping paint when held at a 45° angle.
  - Select Gentle 40° nozzle (**C**) for gentle cleaning of cars/trucks, boats, RV's, patio furniture, lawn equipment, etc.
  - Select Fan Spray nozzle (**D**) for optimal high flow rinsing away of light dirt and debris.
  - Select Fan Spray with Soap nozzle (**F**) for delicate surface cleaning of cars, trucks, childrens play equipment, patio furniture, etc.
  - Select Extended Reach nozzle (**G**) for quick high flow clean up and long reach cleaning of second story siding and windows.
  - Select Extended Reach with Soap Nozzle (**H**) to propell soap to second story siding and windows.
- Turn dial until desired spray pattern aligns with arrow on 7-in-1 nozzle.

### Usage Tips

- For most effective cleaning, keep nozzle from 20 to 61 cm (8 to 24 in.) away from cleaning surface.
- If nozzle gets too close, especially using a high pressure nozzle, you may damage surface being cleaned.
- DO NOT get closer than 15 cm (6 in.) when cleaning tires.

### Applying Detergent Figure 3



**WARNING!** Chemicals could cause burns resulting in death or serious injury. DO NOT use caustic liquid with pressure washer. Use ONLY pressure washer safe detergents/soaps. Follow manufacturers instructions.

#### To apply detergent, follow these steps:

- Remove cap from detergent tank (**D**) and fill with detergent solution. Replace cap.
- Make sure one of the soap spray pattern nozzles is selected on 7-in-1 nozzle.

**NOTICE** Detergent cannot be applied with high pressure nozzles (maximum, general, delicate, fan spray or extended reach).

- Apply detergent to a dry surface, starting at lower portion of area to be washed and work upward, using long, even, overlapping strokes.
- Allow detergent to “soak in” per detergent manufacturer’s instructions before washing and rinsing.

## Pressure Washer Rinsing

- Select desired high pressure nozzle.



**WARNING!** Kickback from spray gun could cause you to fall resulting in death or serious injury.

Operate pressure washer from a stable surface. Be extremely careful if you must use the pressure washer from a ladder, scaffolding, or any other similar location. Firmly grasp spray gun with both hands when using high pressure spray to avoid injury when spray gun kicks back.

- Apply high pressure spray to a small area and check surface for damage. If no damage is found, continue rinsing.
- Start at top of area to be rinsed, working down with same overlapping strokes as you used for cleaning.

### Stopping Pressure Washer Figure 3

- Release spray gun trigger.
- Press master ON/OFF switch (**E**) to OFF (0) position.

**NOTICE** Releasing the trigger will shut off the motor but does not shut off electrical power to the unit.

- Turn off water supply.
- ALWAYS point spray gun in a safe direction, press trigger lock button, and squeeze trigger to relieve built up pressure in the unit.



**WARNING!** The high pressure stream of water that this equipment produces could cut through skin and its underlying tissues, resulting in serious injury and possible amputation. Keep high pressure hose connected to pump and spray gun while system is pressurized. DO NOT allow CHILDREN to play with or operate pressure washer. ALWAYS point spray gun in safe direction, squeeze spray gun trigger to release high pressure, every time you turn off pressure washer.

- Disconnect PRCD plug (**G**) from outlet and coil power cord on bottom hook of accessory tray.
- Wrap high pressure hose on top hook of accessory tray.
- Store high pressure nozzle on end of nozzle extension. Store spray gun, nozzle extension, and 7-in-1 nozzle on the accessory tray.

### After Each Use

Water should not remain in the unit for long periods of time. Sediments or minerals can deposit on pump parts and “freeze” pump action. Follow these procedures after every use:

- Run pressure washer with soap nozzle until tank is empty.
- Add 0.5 liter (0.5 quart) of water to detergent tank, and run with soap spray nozzle. Flush one to two minutes.
- Press master ON/OFF switch to OFF (0) position. Remove power cord plug from electrical outlet.
- Turn off water supply. Point gun in a safe direction, press trigger lock button, and squeeze trigger to relieve trapped pressure.

5. Disconnect garden hose from water inlet. Disconnect high pressure hose from gun and high pressure outlet.
6. Drain water from hose and spray gun, and wipe off exterior surfaces.
7. Drain water from pump by tipping unit onto its right side (water inlet facing down) for two minutes. Flip unit over and let rest on high pressure outlet for an additional two minutes.
8. Wrap high pressure hose on top hook of accessory tray.
9. Coil power cord on bottom hook of accessory tray. Store spray gun, nozzle extension and 7-in-1 nozzle on accessory tray.
10. Store unit in a clean, dry area.
11. If storing for more than 30 days, see Storage.

## Maintenance

### General Recommendations

Regular electric maintenance will improve performance and extend the life of the pressure washer. See any Briggs & Stratton Authorized Service Dealer for service. DO NOT allow children to clean or maintain without supervision.

The electric pressure washer's warranty does not cover items that have been subjected to operator abuse or negligence. To receive full value from warranty, operator must maintain pressure washer as instructed in this manual, including proper storage as detailed in *Storage*.



**WARNING!** To ensure machine safety, use only original spare parts from the manufacturer or approved by the manufacturer. Should you have questions about replacing components on your pressure washer, please visit our website at BRIGGSandSTRATTON.COM. If cord is damaged, see an Briggs & Stratton Authorized Service Dealer.

### Nozzle Maintenance

Clean nozzle to correct excessive pump pressure caused by a clogged spray nozzle:

1. Press master ON/OFF switch to OFF (0) position. Remove power cord plug from electrical outlet.
2. Remove 7-in-1 nozzle from end of nozzle extension.
3. Use a small paper clip to free foreign material clogging or restricting nozzle.
4. Reinstall 7-in-1 nozzle into nozzle extension.

### O-Ring Maintenance Figure 10

The use of lubricant (petroleum or synthetic grease) helps seat o-rings providing an improved seal. Apply lubricant to o-rings prior to assembling high pressure hose (A), garden hose to the pump (B), spray gun (C), and nozzle extension (D).

Purchase an O-Ring Maintenance Kit by contacting a Briggs & Stratton Authorized Service Dealer. NEVER repair leaking connections with sealant of any kind. Replace o-ring or seal.

### PRCD Fuse Replacement Figure 11



**WARNING!** To reduce the risk of fire, replace only with 13-amp BS 1362 rated fuse.

If equipped with fuse within PRCD:

1. Locate fuse on pin side of PRCD plug.
2. Using a flat-head screwdriver, remove cover (A) and fuse. Remove fuse (B) from cover. Replace fuse with 13-amp BS 1362 rated fuse.
3. Insert cover and fuse.

## Storage

Follow steps 1-10 in *After Each Use*.

**NOTICE** Water left in pump could freeze and permanently damage pump. Freeze damage is not covered under warranty.

### Protecting the Pump

To protect the pump from damage caused by mineral deposits or freezing, use PumpSaver to prevent freeze damage, and lubricate pistons and seals.

**NOTICE** Failure to protect unit from freezing temperatures will damage pump and render unit inoperable. Freeze damage is not covered under warranty.

### Final Storage Tips

1. Wrap high pressure hose on top hook of accessory tray.
2. Coil power cord on bottom hook of accessory tray.
3. Store spray gun, nozzle extension and 7-in-1 nozzle on accessory tray.
4. Cover unit with a protective cover that does not retain moisture and store in a clean, dry area protected from freezing temperatures.

## Troubleshooting

Problem	Cause	Correction
<b>Pump has following problems: failure to produce pressure, erratic pressure, chattering, loss of pressure, low water volume.</b>	<ol style="list-style-type: none"> <li>1. Water inlet is blocked.</li> <li>2. Inadequate water supply.</li> <li>3. Garden hose is kinked or leaking.</li> <li>4. Clogged water inlet screen.</li> <li>5. Spray nozzle is obstructed.</li> </ol>	<ol style="list-style-type: none"> <li>1. Clear inlet.</li> <li>2. Provide adequate water flow.</li> <li>3. Straighten garden hose or replace if leaking.</li> <li>4. Clean or replace water inlet screen.</li> <li>5. Clean spray nozzle.</li> </ol>
<b>Unit fails to start when spray gun trigger is squeezed.</b>	<ol style="list-style-type: none"> <li>1. Water supply is not turned on.</li> <li>2. Unit is not turned on.</li> <li>3. Garden hose is too long.</li> <li>4. Fuse blown or circuit breaker tripped.</li> </ol>	<ol style="list-style-type: none"> <li>1. Turn on water supply.</li> <li>2. Press master ON/OFF switch to ON (I) position. Reset PRCD.</li> <li>3. Use only 15.24 m (50 ft.) maximum garden hose.</li> <li>4. a.) Replace fuse or reset circuit breaker. b.) Disconnect other electrical appliances and turn off lights in the circuit or operate on dedicated circuit. c.) Run POWERflow+ High Flow Mode (⊕) nozzle setting for 5 minutes.</li> </ol>
<b>Detergent fails to mix with spray.</b>	<ol style="list-style-type: none"> <li>1. High pressure nozzle is installed.</li> <li>2. Inlet water supply pressure too high.</li> </ol>	<ol style="list-style-type: none"> <li>1. Install nozzle spray tip.</li> <li>2. Slowly close water supply valve until chemical starts to draw.</li> </ol>
<b>Hose connections leaking.</b>	<ol style="list-style-type: none"> <li>1. Garden hose loose to water inlet.</li> <li>2. Loose high pressure hose connections.</li> <li>3. Damaged o-ring.</li> </ol>	<ol style="list-style-type: none"> <li>1. Hand tighten garden hose.</li> <li>2. Remove hose and reinstall.</li> <li>3. Replace o-ring.</li> </ol>

For all other issues, see a Briggs & Stratton Authorized Dealer.

## Specifications

Allowable Pressure	MPa/BAR/PSI	16.0/160/2,320*
Max Flow	LPM/GPM	15.0/4.0*
Rated Pressure and Flow	MPa/BAR/PSI @ LPM/GPM	12.0/120/1,740 @ 5.5/1.45*
Max Water Supply Temperature	°C/°F	38/100
Rated Voltage	V	220 - 240
Rated Frequency	Hz	50/60
Power Consumption	W	2,500
Current	A	9.0
Protection Class	Class	Class II
Protection Degree	IP xx	IPX5
Hand - Arm Vibration $a_{hd}$ Uncertainty K	$m/s^2$ $m/s^2$	$\leq 2.5^*$ $0.2^*$
Sound Pressure Level $L_{pA}$ Uncertainty $K_{pA}$	dB(A) dB(A)	$74^*$ $2^*$
Measured Sound Power Level $L_{WA}$	dB(A)	$94^*$
Guaranteed Sound Power Level $L_{WAAd}$	dB(A)	$96^*$

\* Per EN 60335-2-79: 2012.

# EC Declaration of Conformity

## Lavorwash spa

Via J.F.Kennedy, 12 – 46020 Pegognaga (MN) – Italy

This Declaration of Conformity is issued under the sole responsibility of the manufacturer. This is to certify that the products listed in this document are in conformity with the relevant Union harmonization legislation and can carry the CE mark. These models comply with the following Directives and related Standards.

**Product:** High Pressure Cleaner

**Model - Type:** BPW1800PX

### EU Directives

2006/42/EC (+2009/127/EC)

2006/95/EC

2004/108/EC

2000/14/EC (+2005/88/EC)

2011/65/EU (+2015/863/EU)

2014/35/EU ≥ 2016-04-20

2014/30/EU ≥ 2016-04-20

### Standards

EN 60335-1:2012

EN 60335-2-79:2012

EN 62233:2008

EN 55014-1:2006+A1:2009+A2:2011

EN 55014-2:1997+A1:2001+A2:2008

EN 61000-3-2:2006+A1:2009+A2:2009

EN 61000-3-3:2013

EN 50581:2012

### Sound Power Level

Measured dB(A): **94**

Guaranteed dB(A): **96**

2000/14/EC: The appliance is defined by No. 27 of Annex I. Conformity evaluation procedure in accordance with Annex V.

The technical file is stored in Lavorwash spa, via J.F.Kennedy, 12 - 46020 Pegognaga (MN) – Italy.

Lavorwash S.p.A

via J.F.Kennedy, 12

46020 Pegognaga

(MN) - Italy Pegognaga, October 15, 2015



**Giancarlo Lanfredi**

**General Manager**

### LIMITED WARRANTY

Briggs & Stratton warrants that, during the warranty period specified below, it will repair or replace, free of charge, any part that is defective in material or workmanship or both. Transportation charges on product submitted for repair or replacement under this warranty must be borne by purchaser. This warranty is effective for and is subject to the time periods and conditions stated below. For warranty service, find the nearest Authorized Service Dealer in our dealer locator map at BRIGGSandSTRATTON.COM. The purchaser must contact the Authorized Service Dealer, and then make the product available to the Authorized Service Dealer for inspection and testing.

**There is no other express warranty. Implied warranties, including those of merchantability and fitness for a particular purpose, are limited to the warranty period listed below, or to the extent permitted by law. Liability for incidental or consequential damages are excluded to the extent exclusion is permitted by law.** Some states or countries do not allow limitations on how long an implied warranty lasts, and some states or countries do not allow the exclusion or limitation of incidental or consequential damages, so the above limitation and exclusion may not apply to you. This warranty gives you specific legal rights and you may also have other rights which vary from state to state or country to country.\*\*

### WARRANTY PERIOD

Consumer Use	Commercial Use
12 months	None

\*\* In Australia - Our goods come with guarantees that cannot be excluded under the Australian Consumer Law. You are entitled to a replacement or refund for a major failure and for compensation for any other reasonably foreseeable loss or damage. You are also entitled to have the goods repaired or replaced if the goods fail to be of acceptable quality and the failure does not amount to a major failure. For warranty service, find the nearest Authorized Service Dealer in our dealer locator map at BRIGGSandSTRATTON.COM, or by calling 1300 274 447, or by emailing or writing to salesenquires@briggsandstratton.com.au, Briggs & Stratton Australia Pty Ltd, 1 Moorebank Avenue, NSW, Australia, 2170.

The warranty period begins on the date of purchase by the first retail or commercial consumer. "Consumer use" means personal residential household use by a retail consumer. "Commercial use" means all other uses, including use for commercial, income producing or rental purposes. Once a product has experienced commercial use, it shall thereafter be considered as a commercial use product for purposes of this warranty.

To ensure prompt and complete warranty coverage, register your product at the website shown above or at [www.onlineproductregistration.com](http://www.onlineproductregistration.com), or mail the complete registration card (if provided), or call 1-800-743-4115 (in USA).

Save your proof of purchase receipt. If you do not provide proof of the initial purchase date at the time warranty service is requested, the manufacturing date of the product will be used to determine the warranty period. Product registration is not required to obtain warranty service on Briggs & Stratton products.

### ABOUT YOUR WARRANTY

Warranty service is available only through Briggs & Stratton Authorized Service Dealers. Most warranty repairs are handled routinely, but sometimes requests for warranty service may not be appropriate. This warranty covers only defects in materials or workmanship. It does not cover damage caused by improper use or abuse, improper maintenance or repair, normal wear and tear, or stale or unapproved fuel.

**Improper Use and Abuse** - The proper, intended use of this product is described in the Operator's Manual. Using the product in a way not described in the Operator's Manual or using the product after it has been damaged will not be covered under this warranty. Warranty coverage will also not be provided if the serial number on the product has been removed or the product has been altered or modified in any way, or if the product has evidence of abuse such as impact damage or water/chemical corrosion damage.

**Improper Maintenance or Repair** - This product must be maintained according to the procedures and schedules provided in the Operator's Manual, and serviced or repaired using genuine Briggs & Stratton parts or equivalent. Damage caused by lack of maintenance or use of non-original parts is not covered by warranty.

**Normal Wear and Tear** - Like most mechanical devices, your unit is subject to wear even when properly maintained. This warranty does not cover repairs when normal use has exhausted the life of a part or the equipment. Maintenance and wear items such as filters, belts, cutting blades, and brake pads (except engine brake pads) are not covered by warranty due to wear characteristics alone, unless the cause is due to defects in material or workmanship.

**Stale or Unapproved Fuel** - In order to function correctly, this product requires fresh fuel that conforms to the criteria specified in the Operator's Manual. Engine or equipment damage caused by stale fuel or the use of unapproved fuels (such as E15 or E85 ethanol blends) is not covered by warranty.

**Other Exclusions** - This warranty excludes damage due to accident, abuse, modifications, alterations, improper servicing, freezing or chemical deterioration.

Attachments or accessories that were not originally packaged with the product are also excluded. There is no warranty coverage on equipment used for primary power in place of utility power or on equipment used in life support applications. This warranty does not include used, reconditioned, second-hand, or demonstration equipment or engines. This warranty also excludes failures due to acts of God and other force majeure events beyond the manufacturer's control.

80011059\_EN Rev -

Not for  
Reproduction

## EU صلختال قرط



قوة أكبره كذا تادعمل او تاي راطبلال لكال نأ على زمرلا اذه ري شي تاي افن عم جتنملا اذه نم صلختي الأ بجي في نورتك لبالا وأ يف جتنملا اذه نم صلختال بجي . ففصل صملا ريغ في بدلبلال عم لصاوتال اى جري . أيئيب عمئال لمل تاي افنلا نكالام تامول عم يلعل لوصحلل يلحلل صلختال رجتم وأ Briggs & Stratton يكيتاموتوالا قال غللا<sup>1</sup> صلختال قرط لوح في فاضل

يعمل المستشعر على إغلاق الموتولا حين يتحرر زناد مطلق الزرار أو ينعلق. إذا استمر الموتور في العمل بينما يكون قد تحرر زناد مطلق الرذاذ أو أغلق، فلا تستخدم الجهاز. يُرجى الاتصال بوكيل خدمة معتمد من Briggs & Stratton.

إشعار يجب أن يكون مفتاح الإيقاف/ التشغيل دائما في وضعية الإيقاف OFF (0) حين لا يكون جهاز الغسيل بالضغط قيد الاستخدام.

### زيادة العبء على الموتور

يقوم جهاز الحماية ذو العبء الزائد بإغلاق الموتور أوتوماتيكيا إذا زادت درجة حرارته أو سحب قدرا كبيرا من التيار أكثر من اللازم. إذا تعثرت الآلة، اقطع الكهرباء عن طريق الضغط على زر ON/OFF الرئيسي للوصول إلى وضعية الإغلاق (0) OFF. دع الوحدة تبرد لمدة 30 دقيقة واضغط زر On/Off ليعود لوضعية (I) ON.

## التجميع

### ربط الأنابيب الداعمة والمقبض الشكل 1 2

1. حرك الدعامة بانزلاق (A,1) إلى داخل الفتحات. قم بموازاتها وربطها بالبراغي (B,1). حافظ على التوازي أثناء الربط.
2. ضع المقبض (A,2) على الدعامة وقم بمحاذاة الفتحات.
3. أدخل المسامير الحاضنة (B,2) من خلال الثقوب الموجودة خلف الوحدة، الملحقة بالمقبض البلاستيكي (C,2) وأحكام الربط.

### الخصائص وعناصر التحكم الشكل 3

## التشغيل

### قم بتوصيل خرطوم وإمدادات المياه للمضخة الشكل 3 4 6

ملاحظة استخدم ماء بارد فقط (أقل من 38° درجة مئوية (100 فهرنهايت)).

1. ثبت خرطوم الضغط العالي (F,3) بالبراغي في المسدس (A,3).
2. اربط خرطوم الضغط العالي الأزرق (F,3) بالمنفذ (K,3) وأحكام الربط.
3. أكد على أن شاشة إدخال المياه وآلة الغسيل المطاطية السوداء مثبتة بفارئة إدخال الماء (A,4).
4. اربط قارئة منفذ دخول الماء (B,4) بالمنفذ وأحكام الربط.

ملاحظة لأفضل أداء، قم فقط بربطه بمصدر الماء الذي ينيح أكثر من 5 جالون في الدقيقة (18.9 l) و 5-17.25-25 psi (بار) عند طرف آلة الغسيل بالضغط الكهربائية الملحق بخرطوم الحديدية.

5. قم بفتح الماء من خلال خرطوم الحديدية لتنظيف أية شوائب.

ملاحظة قد يؤدي استخدام مانع التدفق الارتجاعي بمدخل المضخة إلى تلفها. يجب أن يكون هناك طول 3 أمتار (10 أقدام) على الأقل من خرطوم الحديدية غير المقيد بين مدخل جهاز الغسيل بالضغط ومانع التدفق الارتجاعي.

تحذير تعتبر المياه المتدفقة عبر مانع التدفق الارتجاعي غير صالحة للشرب.

6. قم بتوصيل خرطوم الحديدية (C,4) الذي لا يزيد طوله على 15 متراً (50 قدم) بمدخل الماء (B,4) وأحكام الربط.

7. شغل الماء وأشر بالمسدس في اتجاه آمن، اضغط زر إغلاق الزناد (A,5)، ثم اضغط الزناد لتنقية النظام من الهواء.

8. اربط وصلة الفوهة (L,3) بمسدس الرذاذ (A,3). أحكم الربط يدويا

9. اسحب جلبية وصلة الفوهة للخلف، (A,7)، وأدخل الفوهة 7 في 1 (B,7) ثم قم بتحرير الجلبية. قم بشد رأس الرش للتأكد من إحكام تركيبه في مكانه بأمان. انظر الفوهة 7 في 1.

## بدء جهاز الغسيل بالضغط الشكل 3. 9

تحذير! قد يؤدي الرذاذ المتطاير بقوة أو العناصر المتدافعة إلى حدوث إصابات خطيرة. احرص دوماً على ارتداء قفازات سلامة ذات تهوية غير مباشرة (رذاذ المواد الكيميائية) المعروف بامتثالها بمعايير ANSI Z87.1 عند استخدام المعدة أو التواجد بالقرب منها.



1. اضغط مفتاح ON/OFF الرئيسي (E,3) للتحويل لوضعية (0) OFF .

تحذير! خطر الصعق بالكهرباء قد يؤدي التوصيل بمصدر التيار إلى حدوث صدمة كهربائية أو حرق يسفر عن الوفاة أو إصابة خطيرة. لا تستخدم سلك تمديد مع جهاز الغسيل الكهربائي بالضغط. لا يوفر مقبس الدائرة الكهربائية لمنزلك أو أي سلك تمديد حماية ذات جهاز تيار متبقي محمول يمكنها أن تنقذ حياتك.



2. أدخل سلك الكهرباء (G,3) في دائرة كهربائية مخصصة بمعدل 220-240 فولت تيار متردد عند 10 أمبير يكون قد تم تركيبها في الغالب وفقا لكافة الأكواد والقوانين المحلية. هذه الدائرة غير مخصصة لتزويد أي احتياجات كهربائية أخرى. يجب أن يكون ضوء مؤشر جهاز التيار المتبقي المحمول مضئاً.

3. اضغط زر (A,8) RESET. يجب أن يكون ضوء المؤشر (B,8) مضئاً.

ملاحظة يجب أن يكون ضوء المؤشر مضيء حتى تعمل آلة الغسيل الكهربائي بالضغط.

4. اضغط زر (A,8) TEST. يجب أن يكون ضوء المؤشر (B,8) مغلقاً.

5. اضغط زر (A,8) RESET. يجب أن يكون ضوء المؤشر (B,8) مضئاً. لا يعمل يمكن أن يسبب الوفاة أو إصابة جسدية. إذا لم يبق ضوء المؤشر مضاء بعد الاختبار وإعادة الضبط، لا تستخدم PRCD. تستخدم آلة الغسيل بالضغط الكهربائية إذا فشل الاختبار.



6. اضغط مفتاح ON/OFF الرئيسي (D,3) للتحويل لوضعية (I) ON.

7. وجه المسدس في اتجاه آمن واضغط زر إغلاق الزناد.

سيبدأ تشغيل الموتور ويتوقف عند إزالة الضغط عن زناد المسدس وتحريره.

### 7-فوهة 7 في 1 الشكل 12

تتيح لك الفوهة 7 في 1 التبديل بين سبع فوهات لها أنماط رش مختلفة حرر زناد سدس الرش لربط قفل الأمان قبل تغيير أنماط الرش.

1. حدد نمط الرش المرغوب:
  - اختر إعداد الفوهة "الحد الأقصى 0 درجة" (A) للأسطح المستعصبة أو التي يصعب الوصول إليها مثل أسطح الطابق الثاني أو إزالة الطلاء أو بقع النفط أو إزالة الصدا أو المواد المستعصبة الأخرى (القطران والشمع والشحوم وغيرها).
  - اختر إعداد الفوهة "عام 15 درجة" (B) لمهام التنظيف الأكثر صرامة. ويعتبر هذا الإعداد مثالياً لإزالة الشحوم والأوساخ من الأسطح الصلبة. كما أنه قادر على إزالة الطلاء عند إمساكه بزاوية 45 درجة.
  - اختر إعداد الفوهة "معتدل 40 درجة" (C) للتنظيف اللطيف للسيارات/الشاحنات، والقوارب، والسيارات الترفيهية، والفناء والأثاث، ومعدات الحدائق وما إلى ذلك.
  - اختر إعداد الفوهة "رش المروحة" (D) للحصول على تدفق عالي مثالي لشطف الأوساخ والشوائب الخفيفة.
  - اختر إعداد الفوهة "الرش مع الصابون" (F) للتنظيف الحساس لأسطح السيارات والشاحنات وأجهزة ملعب الأطفال والفناء والأثاث وما إلى ذلك.
  - اختر إعداد الفوهة "الوصول المعزز" (G) للتنظيف بالتدفق العالي السريع والتنظيف عالي الوصول لجوانب ونوافذ الطابق الثاني.
  - اختر إعداد الفوهة "الوصول المعزز مع الصابون" (H) لدفع الصابون إلى جوانب ونوافذ الطابق الثاني.

2. أدر القرص حتى تضبط نمط الرش المرغوب مع السهم في الفوهة 7 في 1.

### فوهة الضغط العالي الحمراء

تمنحك فوهة الضغط العالي الحمراء أقصى طاقة تنظيف عن طريق إنتاج أعلى ضغط.

### نصائح الاستخدام

- للحصول على أقصى حالة تنظيف فعالة، اجعل رأس الرش على مسافة 20 إلى 61 سم (8 إلى 24 بوصة) بعيداً عن سطح التنظيف.
- إذا كانت رأس الرش قريبة جداً، لا سيما عند استخدام رأس رش الضغط العالي، فقد يؤدي ذلك إلى تلف السطح الذي يتم تنظيفه.
- لا تقم بوضع الرأس على مسافة أقرب من 15 سم (6 بوصة) عند تنظيف الإطارات.

## جدول المحتويات

- نيبردمل ريغ صاخشألأ وأ لافطألأ مدختسي نأ بجي ال  
ي.العلا طغضلا تافظنم
- قمالسل ق مهم بلجلأ وتابيكرتلأ ويلالعلا طغضلا ميطارخ نأ  
تانراقلا وتابيكرتلأ وميطارخلا طقف مدختسا. قنيكاملأ  
ة.عنصملا قكرشلا اهب يصوت يتلا
- رايعلا عطق طقف مدختسا، قنيكاملأ قمالسل نامضل  
اهنم قدمت عملأ عطقلا وأ قنصملا قكرشلا نم قنيصلألأ
- فيرصتلا عنانوم ربع قفدت يذلا عملأ ربتغي  
برشلال حل اص ريغ يفلخلا
- انشأ قاطلا لصل رأيتلا نذأم نم سباقلا لzá  
رايغلأ عطق لادبتسا دنعو قنايصلأ وأ فيظنتلا
- نم ق مهم عاجأ وأ كلسلأ ناك إذا قنيكاملأ مدختست ال  
طغضلا ميطارخ، قمالسلأ زهجأ لثم، قفلات قنيكاملأ  
قلاطلأل س دس مو، ي.العلا
- قنيكاملأ قلاسغلأ عم دي دم تلال كلسل مدختست ال  
طغضلاب لمعت يتلا
- قنيكاملأ كرت دنع رتساملأ حاتفملا لصل رب امئأ مق  
ة.بقارم الب

- 4. وصف المعدات
- 4. التجميع
- 4. الخصائص وعناصر التحكم
- 4. رموز السلامة وعناصر التحكم
- 4. التشغيل
- 7. الصيانة
- 7. التخزين
- 8. استكشاف الأعطال وإصلاحها
- 8. المواصفات
- 9. الضمان

## رموز السلامة وعناصر التحكم

يمكن أن يستخدم رمز السلامة للإشارة إلى نوع الخطر. تحذير يدل على المخاطر التي إذا لم يتم تجنبها، يمكن أن تؤدي إلى الوفاة أو إلى إصابة خطيرة. ملاحظة تشير إلى الممارسات غير ذات الصلة بالإصابة الشخصية.



## دعم العمل فصوصو

اليرجى قراءة هذا الدليل بعناية حتى تصبح على دراية بجهاز الغسيل بالضغط. تعرف على استخداماته وحدوده وأيضا مخاطر متعلقة به. احتفظ بهذه التعليمات الأصلية للرجوع إليها في مستقبلا



يعمل جهاز الغسيل بالضغط عند مقدار ضغط بحد أقصى 12.0 ميجا باسكال (120 بار أو 1,740 رطل لكل بوصة مربعة) ومعدل تدفق يصل إلى 15.0 لتر (4.0 جالون) لكل دقيقة.

تم بذل كل جهد ممكن لضمان أن تكون المعلومات الواردة في هذا الدليل دقيقة وحديثة. غير أننا نحفظ بالحق في تغيير أو تعديل أو تحسين المنتج وهذه الوثيقة في أي وقت دون إشعار مسبق.

إشعار: إذا كانت لديك أية أسئلة حول الاستخدام المخصص، فاسأل التاجر أو اتصل بمركز الخدمة المؤهل. تجنب التشغيل عندما تكون بها أجزاء مكسورة أو مفقودة أو بدون أسطح أو أغطية واقية. تجنب تمرير أجهزة السلامة على الماكينة. تجنب إجراء تعديلات على جهاز الغسيل بالضغط بأي طريقة. هذه المعدة مصممة للاستخدام مع أجزاء منتجات الطاقة المعتمدة من Briggs & Stratton فقط.

## تقنية POWERflow™

تعبر تقنية POWERflow+ من Briggs & Stratton نظامًا من مكونات تعمل معًا لتقديم قدرة التدفق العالية. القوة الكامنة وراء تقنية POERFlow+ هي في المضخة ذات وضعيتي التنظيف المنفصلتين: والضغط العالي والتدفق العالي الذي يزيد النظافة عن طريق الوصول لأماكن بعيدة والغسل بالصابون وإمكانات شطف أسرع.

## حماية الجهاز من التيار المتبقي القابل للحمل

A	مسدس الرش	G	مدخل التزويد بالماء
B	فوهة 7 في 1	H	خرطوم الضغط العالي
C	خزان المنظف	J	مخرج الضغط العالي
D	مفتاح التشغيل/إيقاف التشغيل الرئيسي	K	علبة الملحقات
E	سلك كهربائي مع / PRCD	L	وصلة الفوهة
F	ملصق التعريف		

جهاز الغسيل بالضغط هذا مزود بجهاز محمول خاص بالتيار المتبقي مدمج في مقبس سلك تزويد الطاقة. يتيح الجهاز حماية إضافية من مخاطر الصدمات الكهربائية. يتيح جهاز PRCD حماية 10 مللي أمبير إذا أصبح استبدال القابس أو السلك D. يُرجى الاتصال بوكيل

وأيضا ريخألأ وأ كسفن يلع شرلا سدسم هجوت ال وأ ققاط رصم نم برقلا ب شرلاب مق ال. تان او يوحلا اهسفن ق دحولأ

هذه الماكينة غير مُخصصة للاستخدام من قبل الأشخاص (بما في ذلك الأطفال) ذوي القدرات البدنية أو الإدراكية أو العقلية المحدودة أو نقص الخبرة والدراية ما لم يخضعوا لإشراف أو يحصلوا على تعليمات تتعلق بالتشغيل الآمن وفهم المخاطر المتضمنة.

## تحذير

- وأ دروملا فظنملا عم مادختسلا قنيكاملأ هذه مي صرت مت مادختسا رثوي دق. قنصملا قكرشلا لبق نم هب يصوملا. قنيكاملأ قمالسل يلع ابلسل تايواميكلأ وأ يرخألأ تافظنملا ئي سراً إذا ارطخ طوغضملأ ويوقلا قفدلأ لكشي دق وحن طوغضملأ قفدلأ هي جوت بجي ال هلامعتسا يلع يوتحت يتلا قنيكاملأ تادعملأ وأ صاخشألأ اهسفن قنيكاملأ وحن وأ عيج قنيكاملأ
- مل ام صاخشألأ نم برقلا ب قنيكاملأ مدختست ال. قنيكاملأ سبالم اودتري فيظنت لجأ نم نيرخألأ وحن وأ كوحن قفدلأ هجوت أ. قنيكاملأ وأ سبالملا
- لاعتشالأ قنيكاملأ لسلا وسلا شرت ال - راجفنالأ رطخ نيبردمل ريغ صاخشألأ وأ لافطألأ مدختسي نأ بجي ال ي.العلا طغضلا تافظنم

الصيانة المنتظمة سوف تحسن الأداء وتزيد عمر جهاز الغسيل بالضغط. يمكنك الرجوع إلى وكيل معتمد لمنتجات Briggs & Stratton لأغراض الصيانة. لا تسمح للأطفال بالتنظيف أو الصيانة بدون إشراف.

ضمان جهاز الغسيل بالضغط لا يغطي العناصر التي تعرضت لسوء استخدام من قبل المشغل أو إهماله. لتحقيق أقصى استفادة من الضمان، يتعين على المشغل المحافظة على جهاز الغسيل بالضغط وفقاً للتعليمات الواردة في هذا الدليل، بما في ذلك إجراءات التخزين السليمة كما هي واردة تفصيلاً في قسم التخزين.

**تحذير** للتأكد من سلامة الماكينة، لا تستخدم إلا قطع الغيار الأصلية الواردة فقط من جهة التصنيع أو تلك المعتمدة منها. إذا كان لديك أية استفسارات حول استبدال مكونات جهاز الغسيل بالضغط، يرجى زيارة موقعنا الإلكتروني [BRIGGSandSTRATTON.COM](http://BRIGGSandSTRATTON.COM).

في حالة تلف السلك، اتصل بمركز الخدمة المعتمد من Briggs & Stratton.

### صيانة الفوهة الشكل

نظّف رأس الرش لتصحيح ضغط المضخة المفرط الذي قد يكون رأس الرش المسدود سبباً فيه:

1. اضغط مفتاح ON/OFF الرئيسي (D) للتحويل لوضعية (0) OFF . انزع مقبس سلك الطاقة من منفذ الكهرباء.
2. قم بفك رأس الرش من تمديد الفوهة.
3. استخدم مشبك ورق صغير لتحريك أي مادة غريبة تسد أي من الفوهات أو تعيقها.
4. أعد تركيب الفوهة 7 في 1 في وصلة الفوهة.

### صيانة الحلقة الدائرية للعزل الشكل 10

يساعد استخدام الشحم (شحم بترول أو اصطناعي) على الحلقات الدائرية في تحسين تطبيق مواد التشحيم إلى 0-حلقات السابقة لتجميع خرطوم الضغط العالي (A)، حديقة خرطوم إلى المضخة (B)، بندقية رش (C)، وتمديد فوهة (D). ضع زيت تشحيم على الحلقات الدائرية قبل تجميع خرطوم الضغط.

يمكنك شراء مجموعة صيانة الحلقات الدائرية عن طريق الاتصال بوكيل الخدمة المعتمد من Briggs & Stratton. لا تقم مطلقاً بإصلاح وصلات التسرب مُستخدماً أي نوع من أنواع موانع التسرب. استبدل الحلقة الدائرية أو موانع التسرب.

### PRCD ليتف لادبتسا لكش 11



طقف هلدبتسا، قيرح ثودح رطخ ليلقتل **!ريذحت** BS 1362. فينصرتب ري بم 13 ليتفب

PRCD: لخاد ليتفب أدوزم ناك اذا

1. PRCD. سباق نم رامسمل بناج يلع ليتفلا ناكم دد
2. جرح ليتفلاو (A) ااطغلا ةعي مجت ةلازال سألرا حطسرم أكفم مدختسا فينصرتب ري بم 13 (B) ليتفب ليتفلا لدبتسا، ااطغلا نم ليتفلا BS 1362.

3. ليتفلاو ااطغلا ةعي مجت لخدا

## التخزين

اتبع الخطوات من 1-10 في بعد كل استخدام.

**ملاحظة** قد يتجمد الماء المتبقي في المضخة ويضر بالمضخة بشكل دائم. لا يغطي الضمان حالة حدوث التلف بفعل التجمد.

### حماية المضخة

لحماية المضخة من التلف بفعل الترسيبات المعدنية أو التجمد، استخدم حافظ المضخة لمنع حدوث تلف بفعل التجمد وتشحيم الكباسات وموانع التسرب.

**ملاحظة** يؤدي الإخفاق في حماية الوحدة من درجات حرارة التجمد إلى إتلاف المضخة والتسبب في تعطل الوحدة. لا يغطي الضمان حالة حدوث التلف بفعل التجمد.

### نصائح نهائية حول التخزين

1. لف خرطوم الضغط العالي على الخطاف العلوي لصينية الملحقات.
2. لف سلك الطاقة على الخطاف السفلي لصينية الملحقات.
3. احفظ مسدس الرش، وصلة الفوهة والفوهة 7 في 1 في صينية الملحقات.
4. غط الوحدة بغطاء واق لا يحتفظ بالرطوبة ويخزن في مكان نظيف وجاف محمي من درجات الحرارة المتجمدة.

### إضافة المنظفات الشكل 3

**تحذير!** قد تتسبب المواد الكيميائية في حروق قد تُسفر عن حدوث الوفاة أو إصابة خطيرة. لا تقم باستخدام سائل الصودا الكاوية مع جهاز الغسيل بالضغط. استخدم فقط منظفات/سوائل صابون آمنة مع جهاز الغسيل بالضغط. اتبع تعليمات جهات التصنيع.

**لوضع المنظف، اتبع هذه التعليمات:**

1. أزل غطاء خزان مواد التنظيف (D) واملاه بسائل التنظيف. استبدل السلسلة.
2. تأكد أنه قد تم اختيار فوهات نمط الرش بالصابون على الفوهة 7 في 1.
- ملاحظة** لا يمكن وضع المنظف مع وضع فوهة لا يستخدم الصابون (الحد الأقصى، أو العام، أو المعتدل، أو رش المروحة، أو الوصول المعزّز).
3. ضع المنظف على سطح جاف، مع البدء بغسل كمية صغيرة وبعد ذلك متابعة الغسل، مستخدمًا أسواط طويلة متساوية ومتداخلة.
4. اترك المنظف ليتم "نقعه" وفقًا لتعليمات جهة تصنيع المنظف قبل إجراء الغسل والشطف.

### شطف جهاز الغسيل بالضغط

1. اختر فزهة الضغط العالي المرغوبة.

**تحذير!** قد يؤدي رد الفعل العنيف الناتج عن مسدس الرش إلى سقوطك مما يُسفر عن خطر الوفاة أو الإصابة الخطيرة. تشغيل جهاز الغسيل بالضغط من سطح مستقر. توخ أقصى درجات الحذر إذا كان يجب عليك استخدام جهاز الغسيل بالضغط من على سلم أو سقالة أو أي موقع مشابه آخر. أمسك مسدس الرش بإحكام بكتنا يديك عند استخدام رش الضغط العالي تجنبًا للإصابة عند ارتداد مسدس الرش.

2. وجّه رأس الرش الخاص بالضغط العالي على منطقة صغيرة وتحقق من عدم وجود تلفيات بالسطح. في حال عدم العثور على أي تلفيات، تابع الشطف.
3. ابدأ بالمنطقة العلوية المراد شطفها، ثم انزل للمناطق السفلية بأشواط متداخلة كما تُستخدم لأغراض التنظيف.

### بدء جهاز الغسيل بالضغط الشكل 3

1. حرر زناد مسدس الرش.
2. اضغط مفتاح ON/OFF الرئيسي (E) للتحويل لوضعية (0) OFF.
- ملاحظة** تحرير الزناد سيغلق الموتور ولكنه لن يغلق الطاقة الكهربائية للوحدة.
3. قم بإيقاف التزويد بالماء.
4. وجه مسدس الرش دائمًا نحو اتجاه آمن، اضغط زر الإغلاق واضغط الزناد لتحرير الضغط المتراكم بالوحدة.



**تحذير!** قد يؤدي الضغط العالي لتدفق المياه الصادر عن هذه المعدة إلى قطع الجلد وكذلك الأنسجة الداخلية، الأمر الذي قد يؤدي إلى حدوث إصابة خطيرة واحتمالية حدوث بتر. احتفظ بخرطوم الضغط العالي متصلًا بالمضخة وكذلك مسدس الرش أثناء تكيف الضغط. لا تسمح للأطفال بتشغيل جهاز الغسيل بالضغط. قم دومًا بتوجيه المسدس في اتجاه آمن، واضغط على زناد مسدس الرش لتحرير الضغط العالي، في كل مرة تقوم فيها بإيقاف جهاز الغسيل بالضغط.

5. افصل مقبس (G) PRCD من المخرج وقم بلف سلك الطاقة على الخطاف السفلي لصينية الملحقات.
6. لف خرطوم الضغط العالي على الخطاف العلوي لصينية الملحقات.
7. خزن فوهة الضغط العالي الحمراء في نهاية وصلة الفوهة. احفظ مسدس الرش، وصلة الفوهة والفوهة 7 في 1 في صينية الملحقات.

### بعد كل استخدام

لا ينبغي أن يظل الماء في الوحدة لفترات زمنية طويلة. قد يحدث وأن تترسب المواد المعدنية أو الرواسب في أجزاء المضخة مما قد يؤدي إلى تعطل المضخة. اتبع هذه الإجراءات عقب كل استخدام:

1. شغل آلة الغسيل بالضغط بفوهة رش الصابون حتى يفرغ الخزان.
2. أضف 0-5 لتر من الماء بخزان المنظف وشغل بفوهة رش الصابون. اشطف لمدة دقيقة أو دقيقتين.
3. اضغط مفتاح ON/OFF الرئيسي (D) للتحويل لوضعية (0) OFF. انزع مقبس سلك الطاقة من منفذ الكهرباء.
4. قم بإيقاف التزويد بالماء. 6. وجه المسدس في اتجاه آمن واضغط زر إغلاق الزناد لتحرير الضغط العالق.
5. افصل خرطوم الحديقة عن منفذ دخول الماء. افصل خرطوم الضغط العالي عن المسدس ومنفذ الضغط العالي.
6. قم بتصفية الماء من الخرطوم ومسدس الرش وامسح الأسطح الخارجية.
7. قم بتصفية الماء من المضخة بوضع الوحدة على جانبها الصحيح (منفذ الماء مواجه لأسفل) لمدة دقيقتين. اقلب الوحدة ودعها تبقى على منفذ الضغط العالي لمدة دقيقتين إضافيتين.
8. لف خرطوم الضغط العالي على الخطاف العلوي لصينية الملحقات.
9. لف سلك الطاقة على الخطاف السفلي لصينية الملحقات. احفظ مسدس الرش، وصلة الفوهة والفوهة 7 في 1 في صينية الملحقات.
10. قم بتخزين الوحدة في مكان نظيف وجاف.
11. ملاحظة في حال تخزين الوحدة لأكثر من 30 يوم، انظر التخزين.

## استكشاف الأخطاء وإصلاحها

AR

مشكلة	السبب	التصحيح
تواجه المضخة المشكلات التالية: الإخفاق في إنتاج الضغط، وعدم انتظام الضغط، واللقطة، وفقدان الضغط، وانخفاض حجم الماء.	<ol style="list-style-type: none"> <li>1. انسداد مدخل الماء.</li> <li>2. عدم كفاية التزويد بالماء.</li> <li>3. التواء أو تسريب خرطوم الإدخال.</li> <li>4. مصفاة منفذ ماء مسدودة.</li> <li>5. انسداد رأس الرش.</li> </ol>	<ol style="list-style-type: none"> <li>1. تنظيف المدخل.</li> <li>2. التزويد بتدفق مياه كافٍ.</li> <li>3. قم بمد خرطوم الحديقة أو استبدله إذا كان يسرب.</li> <li>4. نظف أو استبدل مصفاة منفذ الماء.</li> <li>5. تنظيف رأس الرش.</li> </ol>
قد تتوقف الآلة عن البدء عند الضغط على زناد مسدس الرش.	<ol style="list-style-type: none"> <li>1. مصدر الماء غير مفتوح.</li> <li>2. الوحدة لم يتم تشغيلها.</li> <li>3. خرطوم الحديقة طويل جدا.</li> <li>4. انفجر المصهر أو تعثر قاطع الدائرة الكهربائية.</li> </ol>	<ol style="list-style-type: none"> <li>1. إيقاف التزويد بالماء.</li> <li>2. اضغط مفتاح ON/OFF الرئيسي (D,3) للتحويل لوضع (I ON). أعد ضبط PRCD.</li> <li>3. استخدم فقط خرطوم حديقة أقصى طول له 15.24 متر (50 قدم).</li> <li>4. أ) استبدل المصهر أو أعد ضبط قاطع التيار. ب) افصل الأجهزة الكهربائية الأخرى وأطفئ الأضواء بنفس الدائرة أو شغلها على دائرة كهربائية مخصصة. ج) شغل لمدة 5 دقائق مع رأس رش التريو.</li> </ol>
فشل المنظف في الامتزاج بالرش.	<ol style="list-style-type: none"> <li>1. تركيب رأس الرش الخاص بالضغط العالي.</li> <li>2. ضغط مصدر الماء عالي جدا.</li> </ol>	<ol style="list-style-type: none"> <li>1. ركب رأس الرش للفوهة.</li> <li>2. أغلق ببطء صمام التزويد بالماء حتى تبدأ المواد الكيميائية في السحب.</li> </ol>
تسريب وصلات الخرطوم.	<ol style="list-style-type: none"> <li>1. خرطوم الحديقة مفكك عند منفذ الماء.</li> <li>2. وصلات خرطوم عالي الضغط مفككة.</li> <li>3. حلقة دائرية متضررة.</li> </ol>	<ol style="list-style-type: none"> <li>1. خرطوم الحديقة محكم باليد.</li> <li>2. أزل الخرطوم وأعد تركيبه.</li> <li>3. استبدل الحلقة الدائرية.</li> </ol>

لكافة المشكلات الأخرى، يرجى الرجوع إلى الوكيل المعتمد من Briggs & Stratton.

المواصفات		
الضغط المسموح به	MPa/BAR/PSI	16.0/160/2,320*
أقصى تدفق	لتر في الدقيقة/ جالون في الدقيقة	15.0/4.0*
الضغط المعايير والتدفق	MPa/BAR/PSI @ LPM/GPM	12/120/1,740 @ 5.5/1.45
درجة حرارة مدخل التزويد بالماء	C/°F	38/100
الفولطية المعايير	V	220 - 240
التردد المعياري	هرتز	50/60
استهلاك الوقود	كيلو وات	2,500
تيار	A	9.0
فئة الحماية	الفئة	الفئة الثانية
درجة الحماية	IP xx	IPX5
اهتزاز اليد- الذراع a <sub>hd</sub>	m/s <sup>2</sup>	≤ 2.5*
الشك K	m/s <sup>2</sup>	0.2*
مستوى ضغط الصوت L <sub>pA</sub>	ديسيبل (A)	74*
الشك K <sub>pA</sub>	ديسيبل (A)	2*
مستوى قوة الصوت L <sub>WA</sub>	ديسيبل (A)	94*
مضمون مستوى الصوت الطاقة L <sub>WAd</sub>	(A)	96*

\* طبقاً للمعيار EN 60335-2-79:2012

**Lavorwash spa**

Via J.F.Kennedy, 12 – 46020 Pegognaga (MN) – Italy

ةقباطم ةقبيثولا هذه ي ف ةدراولا تاجت نمل نأ لىل ع أقي دصت اذه دُعِي . ةع ن صملا ةك رشللا ةي لوؤسم تحت اذه ةقباطمال نالع إرادصلإ متي ةلصللا تاذ ري ياعمالا و تاهي جوتلا عم ج ذام نلا هذه قفاوتت CE. ةمالع لمحت نأ نكم ي يتلا و ةلصللا تاذ ةمءاومال داحتالا تاع ي رشتل

طغضلا يلاع فظنم : جت نمل

عونلا - ج نوم نلا : BPW1800PX

يبوروالا داحتالا تاهي جوت

2006/42/EC (+2009/127/EC)

2006/95/EC

2004/108/EC

2000/14/EC (+2005/88/EC)

2011/65/EU (+2015/863/EU)

2014/35/EU ≥ 2016-04-20

2014/30/EU ≥ 2016-04-20

ري ياعم

EN 60335-1:2012

EN 60335-2-79:2012

EN 62233:2008

EN 55014-1:2006+A1:2009+A2:2011

EN 55014-2:1997+A1:2001+A2:2008

EN 61000-3-2:2006+A1:2009+A2:2009

EN 61000-3-3:2013

EN 50581:2012

ةقباطلا توصى و تسم

dB(A) هساي ق مت : 94

dB(A) نومضم : 96

5. مقر قح لملل اقفو ةقباطمال مي ي ق تاءارج! 1. مقر قح لملل نم 27 مقر ب زاهجلا في رعت مت 2000/14/EC:

ةطساوب Lavorwash spa ي ف ينقتلا فلملا نيزخت متي  
.F.Kennedy, 12 - 46020 Pegognaga (MN) – Italy.

Lavorwash S.p.A

J.F.Kennedy, 12 ةطساوب

46020 Pegognaga

(MN) - Italy Pegognaga, 15 ربوتكأ 2015

Giancarlo Lanfredi

ماعال ري دملا

## الضمان المحدود

تضمن Briggs & Stratton أنها، خلال فترة الضمان المحددة أدناه، ستقوم بإصلاح أو استبدال أي جزء به عيوب في الخامة أو التصنيع أو كليهما مجاناً. ويتحمل المشتري رسوم نقل المنتج المرسل للإصلاح أو للاستبدال بموجب هذا الضمان. يسري هذا الضمان طوال الفترات الزمنية المنصوص عليها ووفق الشروط المنصوص عليها أدناه. للحصول على خدمة الضمان، ابحث عن أقرب وكيل خدمة معتمد في خريطة تحديد عناوين الوكلاء على BRIGGSandSTRATTON.COM. يجب على المشتري الاتصال بوكيل الخدمة المعتمد، ثم إحضار المنتج إليه من أجل الفحص والاختبار.

لا يوجد أي ضمان صريح آخر. الضمانات الضمنية بما في ذلك تلك الخاصة بالرواج والصلاحيات لغرض معين محددة وتقتصر على فترة الضمان المدرجة أدناه أو حسب النطاق الذي يحدده القانون. وتستثنى المسؤولية عن الأضرار العرضية أو التبعية إلى حد الاستثناء الذي يسمح به القانون. لا تسمح بعض الولايات أو الدول باستثناء أو تحديد المسؤولية تجاه الأضرار العرضية أو التبعية، لذا قد لا ينطبق عليك تحديد المسؤولية السابق. يخولك هذا الضمان حقوق قانونية محددة وقد تتمتع أيضاً بحقوق أخرى تختلف من ولاية إلى أخرى أو من دولة إلى أخرى.\*\*

## مدة الضمان

الاستخدام التجاري

استخدام مستهلك

لا يوجد

12 أشهر

\*\*في أستراليا - تأتي سلعنا مع ضمانات لا يمكن استثنائها بموجب قانون العملاء الأسترالي. يحق لك استبدال أو استرداد الأموال في حال وجود خلل جوهري كما يحق لك التعويض عن أية خسارة أو ضرر آخر يمكن التنبؤ به في حدود المعقول. ويحق لك كذلك إصلاح السلع أو استبدالها في حال تعذر أن تكون السلع ذات جودة مقبولة دون أن تبلغ مستوى الخلل الجوهري. للحصول على خدمة الضمان، ابحث عن أقرب وكيل خدمة معتمد في خريطة تحديد عناوين الوكلاء على BRIGGSandSTRATTON.COM أو اتصل على 1300 274 447، أو أرسل بريداً إلكترونياً إلى salesenquires@briggsandstratton.com.au، أو خطاباً إلى Briggs & Stratton Australia Pty Ltd, 1 Moorebank Avenue, NSW, Australia, 2170.

تبدأ فترة الضمان من تاريخ شراء المستهلك التجاري أو تاجر التجزئة الأول. "استخدام المستهلك" تعني استخدام الأسرة المقيمة مع مستهلك التجزئة. "الاستخدام التجاري" تعني كافة الاستخدامات الأخرى، بما في ذلك الاستخدام لأغراض تجارية وأغراض كسب الدخل والإيجار. وبمجرد استخدام المنتج بطريقة تجارية، يتم اعتباره كجهاز تجاري الاستخدام لأغراض خاصة بهذا الضمان. من أجل ضمان تغطية فورية وكاملة، سجل منتجك على الموقع الموضح أعلاه أو على [www.onlineproductregistration.com](http://www.onlineproductregistration.com) أو أرسل بريداً إلكترونياً ببطاقة التسجيل الكاملة (إن وجدت) أو اتصل بالرقم 1-800-743-4115 (داخل الولايات المتحدة).

ولكن يُرجى الاحتفاظ بإيصالات الشراء. وإذا لم تقدم دليلاً على تاريخ الشراء الأولي عند طلب خدمة الضمان، فسيُعد تاريخ صناعة المنتج هو تاريخ بداية فترة الضمان. لا يعد تسجيل المنتج أمراً ضرورياً في الحصول على خدمة ضمان منتجات Briggs & Stratton.

## حول ضمانك

خدمة الضمان متاحة فقط من خلال وكلاء الخدمة المعتمدين من Briggs & Stratton. يتم التعامل مع معظم الإصلاحات المشمولة في الضمان بشكل روتيني، ولكن أحياناً قد لا تكون طلبات الحصول على خدمة الصيانة المشمولة في الضمان ملائمة. فهذا الضمان يغطي فقط عيوب الخامة أو التصنيع. ولا يشمل الأضرار الناجمة عن الاستخدام غير الملائم أو سوء الاستخدام، و الصيانة أو الإصلاح غير الملائمين، أو التلف والبلى الطبيعيين، أو استخدام الوقود القديم أو غير المعتمد.

**الاستخدام غير الملائم وسوء الاستخدام** - تم توضيح الاستخدام المناسب المقصود لهذا المنتج في دليل التشغيل. سيُلغى الضمان في حالة استخدام المنتج استخداماً يخالف ما هو منصوص عليه في دليل التشغيل أو استخدام المنتج بعد تعرضه للتلف. غير مسموح بالضمان في حالة إزالة الرقم المسلسل الموجود على المنتج أو تم تبديل المنتج أو تعديله بأي طريقة أو إذا كان بالمنتج دليل على إساءة الاستخدام مثل ضرر مؤثر أو ضرر تآكل بفعل المياه/المواد الكيميائية. **الصيانة أو الإصلاح غير السليم** - يجب صيانة هذا المنتج طبقاً للخطوات والجدول الواردة بدليل التشغيل على أن يُستخدم في الصيانة أو الإصلاح قطع غيار Briggs & Stratton الأصلية أو قطع غيار تماثلها في الوظائف والجودة. ولا يشمل الضمان الضرر الناتج عن عدم إجراء الصيانة أو استخدام قطع الغيار غير الأصلية.

**الإهلاك والبلى الطبيعي** - ككل الأجهزة الميكانيكية، فإن هذه الوحدة معرضة للبلى حتى عند صيانتها كما ينبغي. ولا يشمل هذا الضمان الإصلاحات عند يتسبب الاستخدام الطبيعي في استنفاد عمر القطعة أو المعدة. لا يغطي الضمان أدوات الصيانة وتلك التي تبلى مثل المرشحات والأحزمة وشفرات التقطيع وليادات الفرامل (باستثناء لبادات فرامل المحرك) نتيجة لخصائص البلى بالاستعمال بمفردها، ما لم يكن السبب نتيجة لعيوب بالمادة أو التصنيع.

**الوقود التالف أو غير الموافق عليه** - من أجل عمل هذا المنتج بشكل صحيح، فهو يتطلب وقوداً نقي يتطابق مع المعايير المحددة في دليل التشغيل. لا يشمل هذا الضمان الأضرار الناجمة عن الوقود غير المناسب أو استخدام الوقود غير الموافق (مثل E85 E15 أو مزج الإيثانول) والتي تلحق بالمعدة أو المحرك.

**استثناءات أخرى** - يستثنى هذا الضمان التلف الناتج عن حادث أو إساءة استخدام أو إجراء تعديلات أو تغييرات أو صيانة غير مناسبة أو توقف عن العمل أو تلف كيميائي ويستثنى أيضاً الملحقات أو المستلزمات غير الموردة مع الجهاز من البداية. ولا تتوفر تغطية ضمان على الأجهزة المستخدمة في إمداد الطاقة الأولية بدلاً من طاقة المنشأة أو على الأجهزة المستخدمة في تطبيقات دعم الحياة. لا يشمل هذا الضمان محركات أو معدات البيان العملي أو المستعملة أو المعاد تجديدها أو المستخدمة. ويستثنى هذا الضمان الأعطال الناجمة عن أمور إلهية أو أحداث قهرية أخرى خارج نطاق تحكم المصنِّع.

## Съдържание

Описание на оборудването	4
Сглобяване	4
Елементи и управления	4
Символи за безопасност и контрол	4
Експлоатация	5
Техническо обслужване	7
Съхранение	7
Отстраняване на неизправности	8
Спецификации	8
Гаранция	10

## Символи за безопасност и контрол

Символ за безопасност може да се използва, за да обозначи вида на опасността. **ПРЕДУПРЕЖДЕНИЕ** посочва опасност, която, ако не бъде избегната, може да доведе до смърт или сериозно нараняване. **ВАЖНО** визира практики, които не са свързани с физически наранявания.



Прочетете  
Ръководството



Електрически  
удар



Инжектиране  
с течност



Падане



Символ за сигнал  
за безопасност



Летящи  
предмети



Пожар



Химическо  
изгаряне



Вкл.



Изкл.



Непригодна за  
пиене вода



Никога не насочвайте пистолета-разпръсквач към себе си, други лица или животни. Никога не пръскайте в близост до източник на хранене или самото устройство.

Тази машина не е предназначена за използване от лица (включително деца) с намалени физически, сензорни или умствени способности или без знания и опит, освен ако те не са наблюдавани или инструктирани по отношение безопасното ползване на апарата и свързаните с него рискове.

## ПРЕДУПРЕЖДЕНИЕ

- Тази машина е проектирана за употреба с почистващия препарат, доставен или препоръчан от производителя. Използването на други почистващи средства или химикали може да има неблагоприятен ефект върху безопасността на машината.

- Струите с високо налягане могат да са опасни при неправилна употреба. Струята не трябва да се насочва към хора, работещо електрическо оборудване или самата машина.
- Не използвайте машината в близост до хора, освен ако не носят защитно облекло.
- Не насочвайте струята към себе си или другите с цел да почистите дрехи или обувки.
- Риск от експлозия – Не пръскайте запалими течности.
- Водоструйките не следва да се използват от деца или необучен персонал.
- Маркучите за високо налягане, крепежите и съединенията са важни за безопасността на машината. Използвайте само маркучи, крепежи и съединения, препоръчани от производителя.
- За да осигурите безопасността на машината, използвайте само оригинални резервни части от производителя или одобрени от него.
- Водата, която е преминала през възвратен клапан, се счита за непригодна за пиене.
- Извадете щепсела от контакта, за да спрете храненето по време на почистване или техническа поддръжка и при смяна на части.
- Не използвайте машината, ако кабелът или важни части от машината са повредени, напр. предпазни устройства, маркучи за високо налягане, пистолет.
- Не използвайте удължител за тази електрическа водоструйка.
- Винаги изключвайте главния превключвател, когато оставяте машината без надзор.

## Описание на оборудването



Прочетете внимателно този наръчник и се запознайте с водоструйката. Запознайте се с нейните приложения, ограничения и възможни опасности. Запазете тези оригинални инструкции за бъдещи справки.

Тази електрическа водоструйка работи при макс. 12.0 MPa (120 BAR или 1740 PSI (фунта на квадратен инч)) и дебит от до 15,00 литра (4,0 галона) в минута.

Положени са всички усилия, за да се гарантира, че информацията в това ръководство е точна и актуална. Въпреки това, ние си запазваме правото да променяме, изменяме, или по друг начин да подобряваме продукта и този документ във всеки момент без предизвестие.

**ВАЖНО** Ако имате въпроси относно употребата по предназначение, попитайте представителя или се свържете с упълномощен сервизен център. НИКОГА не използвайте уреди със счупени или липсващи части, или без защитен корпус или напаци. НЕ забикаляйте никое от защитните устройства на машината. НЕ модифицирайте водоструйката по никакъв начин. Това оборудване е предназначено за употреба **ЕДИНСТВЕНО** с оторизирани части на Briggs & Stratton.

### Технология POWERflow+™

Briggs & Stratton's POWERflow+ Technology е система от компоненти, които работят в унисон, за да осигурят голям дебит. Движещата сила зад POWERflow+ е помпата с два различни режима на почистване: високо налягане и голям дебит, който подобрява почистването, като осигурява разширен обхват, мощно почистване със сапун и по-бързо изплакване.

## Преносима дефектнотокова защита

Тази водоструйка е оборудвана с преносима дефектнотокова защита (PRCD), вградена в щепсела на захранващия кабел. Това устройство осигурява допълнителна защита от токов удар. PRCD осигурява 10 mA защита.

## Автоматично изключване

Сензор изключва мотора, когато се освободи или заключи спусъкът на пистолета-разпръсквач. Ако моторът продължи да работи, докато спусъкът на пистолета-разпръсквач е освободен или заключен, НЕ ИЗПОЛЗВАЙТЕ МАШИНАТА. Обърнете се към Упълномощен представител на Briggs & Stratton.

**ВАЖНО** Превключвателят ВКЛ./ИЗКЛ. следва винаги да е в позиция OFF (ИЗКЛ.) (0), когато водоструйката не се използва.

## Изхвърляне в ЕС



Този символ посочва, че собственикът на батерии и електрическо или електронно оборудване не следва да изхвърля този продукт с несортираните битови отпадъци. Този продукт следва да се изхвърля в подходящи места за отпадъци от гледна точка на опазването на околната среда. Моля, свържете се с Briggs & Stratton или местния търговец на дребно за допълнителна информация за изхвърлянето.

## Сглобяване

### Закрепете опорните тръби и дръжката

Фигура 1 2

1. Плъзнете стойките (1,А) в отворите. Подравнете и закрепете с винтове (1,В). Запазете подравняването, докато затягате.
2. Поставете дръжката (2,А) върху стойките и подравнете отворите.
3. Промушете коларските болтове (2,В) през отворите от вътрешната страна на уреда, прикрепете с пластмасови шайби (2,С) и затегнете.

### Елементи и управления Фигура 3

A	Пистолет-разпръсквач	G	Входящ отвор за вода
B	Дюза 7-в-1	H	Маркуч за високо налягане
C	Резервоар за препарат	J	Изходящ отвор за високо налягане
D	Главен превключвател ВКЛ./ИЗКЛ.	K	Отделение за принадлежности
E	Електрически кабел с PRCD	L	Удължител с дюза
F	Идентификационен етикет		

## Експлоатация

### Свържете маркуча и водоизточника към помпата Фигура 3 4 6

**ВАЖНО** Използвайте САМО студена вода (под 38°C (100°F)).

1. Завийте маркуча за високо налягане (3,Ф) на пистолета (3,А).
2. Закрепете синия маркуч за високо налягане (3,Ф) към извода (3,К) и затегнете.
3. Уверете се, че входният филтър за вода и черната гумена шайба са монтирани във входната сглобка за вода (4,А).
4. Закрепете входната сглобка за вода (4,В) към входния отвор и затегнете.

**ВАЖНО** За най-добра ефективност свържете САМО източник на водоподаване, който може да подава над 5 галона в минута (18,9 л) и 25 - 75 psi (1,72 - 5,17 bar) към края на градинския маркуч при електрическата водоструйка.

5. Пуснете вода през градинския маркуч, за да отмиете отпадъците.

**ВАЖНО** Използването на възвратен клапан на входа на помпата може да повреди помпата. ТРЯБВА да има поне 3 м (10 фута) свободен градински маркуч между водоструйката и възвратния клапан.



**ПРЕДУПРЕЖДЕНИЕ!** Вода, преминала през възвратен клапан, се счита за негодна за пиене.

6. Свържете градинския маркуч (4,С) (не по-дълъг от 15 м (50 фута)) към отвора за водата (4,В) и затегнете.
7. ВКЛЮЧЕТЕ водата, насочете пистолета в безопасна посока, натиснете бутона за заключване на спусъка (5,А), след което стиснете спусъка, за да изведете въздуха от системата.
8. Поставете удължителя с дюзата (3,Л) на пистолета-разпръсквач (3,А). Затегнете на ръка.
9. Издърпайте назад яката на удължителя с дюзата (7,А), поставете дюзата 7-в-1 (7,В) и освободете. Подръпнете разпръскващия крайник, за да се уверите, че е стабилно закрепен. Вж. Дюза 7-в-1.

### Стартирайте водоструйката Фигура 3 9



**ПРЕДУПРЕЖДЕНИЕ!** Струята може да плисне назад или да изтласка предмети, което да доведе до сериозни наранявания. Винаги носете предпазни очила предпазващи от непряко попадения (пръскане на химикали), маркирани за съответствие с ANSI Z87.1 когато използвате или сте в близост до оборудването.

1. Натиснете главния превключвател ВКЛ./ИЗКЛ. (3,Е) на позиция OFF (ИЗКЛ.) (0).



**ПРЕДУПРЕЖДЕНИЕ!** Риск от токов удар. Контактът с източник на захранване може да доведе до токов удар или изгаряне, които да причинят смърт или сериозни наранявания. НЕ използвайте удължителен кабел за тази водоструйка. Възможно е контактът в дома ви или удължителният кабел да не осигурява животоспасяваща преносима дефектнотокова защита.

2. Включете захранващия кабел (3,Г) в отделна електрическа верига със спецификация за 220 - 240 волта променлив ток при 10 ампера, която е монтирана правилно в съответствие с всички местни предписания и разпоредби. Веригата не трябва да захранва други електрически уреди.
3. Натиснете бутона НУЛИРАНЕ (8,С). Светлинният индикатор (8,В) следва да е ВКЛ.

**ВАЖНО** Светлинният индикатор трябва да е ВКЛ., за да може електрическата водоструйка да работи.

4. Натиснете бутона ТЕСТ (8,А). Светлинният индикатор (8,В) следва да е ИЗКЛ.
5. Натиснете бутона НУЛИРАНЕ (8,С). Светлинният индикатор (8,В) следва да е ВКЛ.



**ПРЕДУПРЕЖДЕНИЕ!** Риск от токов удар. Неработещата PRCD е възможно да доведе до смърт или нараняване. Ако светлинният индикатор не остава ВКЛЮЧЕН след тест и нулиране, не използвайте PRCD.

6. Натиснете главния превключвател ВКЛ./ИЗКЛ. в позиция ON (ВКЛ.) (1).
7. Насочете пистолета в безопасна посока, натиснете бутона за заключване на спусъка и стиснете спусъка.

Моторът ще стартира и спира с натискането и освобождаването на спусъка на пистолета разпръсквач.

## Дюзата 7-в-1 Фигура 12

Дюзата 7-в-1 позволява превключване между седем различни начина на разпръскване. Освободете спусъка на пистолета-разпръсквач, за да активирате предпазното закръчване, преди да смените начина на разпръскване.

- Изберете желания начин на разпръскване:
  - Изберете Максимална 0° (А) дюза за упорити или трудни за достигане повърхности, като повърхности на втория етаж, отстраняване на боя, петна от масла, отстраняване на ръжда или други упорити петна (катран, смола, грес, восък, и др.).
  - Изберете Средна 15° (В) дюза за по-проблемни повърхности. Идеална за отстраняване на мазнина и мръсотия от твърди повърхности. Подходяща и за отстраняване на боя, когато се дължи под ъгъл от 45°.
  - Изберете Фина 40° (С) дюза за фино почистване на коли/камиони, лодки, каравани, градинска мебел, дворно оборудване, и т.н.
  - Изберете Ветрилообразно разпръскване (D) на дюзата за оптимално голям дебит с цел изплакване на леки зацапвания и остатъци.
  - Изберете Ветрилообразно разпръскване с пяна (F) на дюзата за почистване на деликатни повърхности на коли, камиони, оборудване за детски площадки, градински мебели, и др.
  - Изберете Разширен обхват (G) на дюзата за бързо почистване с голям дебит и достигане на по-далечни цели, като почистване на обшивка и прозорци на втория етаж.
  - Изберете Разширен обхват с пяна (H) на дюзата за изтласкване на пяна до обшивка и прозорци на втория етаж.
- Завъртете шайбата докато желаната настройка се изравни със стрелката върху дюзата 7-в-1.

### Съвети за използване

- За най-ефективно почистване дръжте почистващия накрайник на разстояние от 20 до 61 см (8 до 24 инча) от почистваната повърхност.
- Ако приближите почистващия накрайник твърде много, особено когато използвате накрайник за почистване с високо налягане, можете да увредите почистваната повърхност.
- НЕ доближавайте на повече от 15 см (6 инча), когато почиствате автомобилни гуми.

### Прилагане на почистващ препарат Фигура 3



**ПРЕДУПРЕЖДЕНИЕ!** Химикалите могат да причинят изгаряния, които да доведат до смърт или сериозни наранявания. НЕ използвайте разяждащи препарати с водоструйката. Използвайте САМО безопасни за водоструйката препарати/сапуни. Следвайте инструкциите на производителя.

#### За да използвате препарат, следвайте тези стъпки:

- Отстранете капачката на резервоара за препарата (D) и напълнете с разтвор на препарат. Поставете капачката обратно.
- Уверете се, че е избран един от начините за разпръскване на сапун на дюзата 7-в-1.

**ВАЖНО** Не може да се използва препарат с дюзите за високо налягане (максимална, средна, фина, ветрилообразно разпръскване или разширен обхват).

- Нанесете препарата върху суха повърхност, като започнете от долната част на зоната, която ще почиствате, и продължавате нагоре с дълги, равномерни, припокриващи се движения.
- Оставете препарата да "попие" съгласно инструкциите на производителя, преди да измиете и изплакнете.

## Изплакване на водоструйката

- Изберете желаната дюза за високо налягане.



**ПРЕДУПРЕЖДЕНИЕ!** Откатът от пистолета-разпръсквач може да причини падане, което да доведе до смърт или сериозни наранявания.

Работете с водоструйката върху равна повърхност. Бъдете особено внимателни, ако трябва да използвате водоструйката от стълба, скеле или на друго подобно място. Дръжте здраво пистолета-разпръсквач с две ръце, когато използвате спрея под високо налягане, за да избегнете нараняване от отката.

- Приложете спрей с високо налягане върху малка зона и проверете повърхността за увреждания. Ако няма увреждания, продължете с изплакването.
- Започнете от горната част на повърхността, която ще изплаквате, като се премествате надолу със същите припокриващи се движения като тези, които използвате при почистването.

### Стартирайте водоструйката Фигура 3

- Освободете спусъка на пистолета-разпръсквач.
- Натиснете главния превключвател ВКЛ./ИЗКЛ. (E) на позиция OFF (ИЗКЛ.) (0).

**ВАЖНО** Освобождаването на спусъка изключва мотора, но не изключва електрическото захранване към устройството.

- Изключете водоподаването.
- ВИНАГИ насочвайте пистолета в безопасна посока, натискайте бутона за заключване на спусъка и стискайте спусъка, за да освободите натрупаното налягане в устройството.



**ПРЕДУПРЕЖДЕНИЕ!** Струята вода под високо налягане произведена от уреда би могла да разреже кожата и тъканите под нея, което може да доведе до сериозни наранявания и възможна ампутация. Дръжте маркуча за високо налягане свързан към помпата и пистолета-разпръсквач, докато системата е под високо налягане. НЕ позволявайте на ДЕЦА да оперират с водоструйката. ВИНАГИ насочвайте пистолета-разпръсквач в безопасна посока, стискайте спусъка на пистолета, за да освободите високото налягане, всеки път, когато спирате водоструйката.

- Изключете щепсела с PRCD (E) от контакта и навийте захранващия кабел на долната кука на тавичката за аксесоари.
- Увийте маркуча за високо налягане върху горната кука на тавичката за аксесоари.
- Съхранявайте червената дюза за високо налягане на края на удължителя с дюзата. Съхранявайте пистолета-разпръсквач, удължителя с дюзата и дюзата 7-в-1 на тавичката с аксесоари.

### След всяка употреба

Не оставяйте вода в уреда за дълги периоди от време. Минерали или утайки могат да се натрупат върху частите на помпата и да блокират работата ѝ. Следвайте тези процедури след всяка употреба.

- Пуснете водоструйката да работи с накрайника за разпръскване на сапун, докато резервоарът се изпразни.
- Добавете 0,5 литра вода в резервоара за препарат и пуснете с накрайника за разпръскване на сапун. Изплакнете за една до две минути.
- Натиснете главния превключвател ВКЛ./ИЗКЛ. на позиция OFF (ИЗКЛ.) (0). Извадете захранващия щепсел от електрическия контакт.
- Изключете водоподаването. Насочете пистолета в безопасна посока, натиснете бутона за заключване на спусъка и стиснете спусъка, за да освободите натрупаното налягане.

5. Отстранете градинския маркуч от отвора за вода. Извадете маркуча за високо налягане от пистолета и извода за високо налягане.
6. Източете водата от маркуча и пистолета-разпръсквач и забършете външните повърхности.
7. Източете водата от помпата, като наклоните устройството върху дясната му страна (с насочен надолу отвор за подаване на вода) за две минути. Обърнете устройството и го оставете облеганато върху извода за високо налягане за още две минути.
8. Увийте маркуча за високо налягане върху горната кука на тавичката за аксесоари.
9. Навийте охранващия кабел на долната кука на тавичката за аксесоари. Съхранявайте пистолета-разпръсквач, удължителя с дюзата и дюзата 7-в-1 на тавичката с аксесоари.
10. Съхранявайте агрегата на чисто и сухо място.
11. Ако го съхранявате повече от 30 дни, вижте Складиране.

## Техническо обслужване

### Общи препоръки

Редовното техническо обслужване ще подобри показателите и ще удължи работния живот на съоръжението. Обърнете се към Упълномощен представител на Briggs & Stratton за сервизно обслужване. НЕ позволявайте на ДЕЦА да извършват почистване или да използват апарата без наблюдение от възрастен.

Гаранцията на водоструйката не покрива предмети, които са повредени умишлено или поради небрежност на оператора на уреда. За да получи пълната стойност на гаранцията, операторът трябва да поддържа водоструйката съгласно инструкциите в настоящото ръководство, включително правилно складиране, както е описано в *Складиране*.



**ПРЕДУПРЕЖДЕНИЕ!** За да осигурите безопасността на машината, използвайте само оригинални резервни части от производителя или одобрени от производителя. Ако имате въпроси относно подмяната на компоненти на Вашата водоструйка, моля посетете нашия уеб сайт на адрес BRIGGSandSTRATTON.COM. Ако кабелът е повреден, се обърнете към упълномощен сервизен център на Briggs & Stratton.

### Техническо обслужване на дюзата

Почистете разпръскващия накрайник, за да коригирате прекомерно налягане в помпата причинено от запушен разпръсквач накрайник.

1. Натиснете главния превключвател ВКЛ./ИЗКЛ. на позиция OFF (ИЗКЛ.) (0). Извадете охранващия щепсел от електрическия контакт.
2. Отстранете дюзата 7-в-1 от края на удължителя с дюзата.
3. Използвайте малък кламер, за да отстраните чужди тела запушващи или ограничаващи работата на разпръскващия накрайник.
4. Монтирайте отново дюзата 7-в-1 върху удължителя. Reinstall 7-in-1 nozzle into nozzle extension.

## Техническо обслужване на О-пръстени

### Фигура 10

Използването на лубрикант (с масла на нефтена основа или синтетични) позволява поставянето на О-пръстените и осигурява по-добро уплътнение. Нанесете лубриканта на О-пръстените преди да монтирате маркуча за високо налягане (А), Пистолет-разпръсквач (В), градинския маркуч на помпата (С), и пластмасовия прът(Д).

Купете Комплект за техническо обслужване на О-пръстени чрез упълномощените сервизни представители на Briggs & Stratton. НИКОГА не ремонтирайте теч във връзки с каквито и да било препарати за уплътняване. Подменете О-пръстена или уплътнителя. Ако кабелът е повреден, се обърнете към упълномощен сервизен център на Briggs & Stratton.

### Фигура за смяна на PRCД предпазители 11



**ПРЕДУПРЕЖДЕНИЕ!** За да намалите риска от пожар, използвайте само 13-амперов предпазител, одобрен по BS 1362.

Ако има наличен PRCД предпазител:

1. Намерете предпазителя от страната на щифта на PRCД щепсела.
2. С помощта на отвертка с плоска глава отстранете капака (А) с блока за предпазители. Извадете предпазителя (В) от там. Заменете предпазителя с нов, 13-амперов предпазител, одобрен по BS 1362.
3. Поставете обратно капака и блока за предпазители.

### Складиране

Следвайте стъпки 1-10 в *След всяка употреба*.

**ВАЖНО** Оставената в помпата вода може да замръзне и да повреди трайно помпата. Повредите, дължащи се на замръзване, не се покриват от гаранцията.

### Защита на помпата

За да защитите помпата от увреждане вследствие на минерални наслагвания или замръзване, използвайте PumpSaver за да предотвратите вредите от замръзване и смажете буталата и уплътненията.

**ВАЖНО** Липсата на защита от минусови температури ще увреди помпата и ще направи уреда неизползваем. Повредите, дължащи се на замръзване, не се покриват от гаранцията.

### Други съвети за складиране

1. Увийте маркуча за високо налягане върху горната кука на тавичката за аксесоари.
2. Навийте охранващия кабел на долната кука на тавичката за аксесоари.
3. Съхранявайте пистолета-разпръсквач, удължителя с дюзата и дюзата 7-в-1 на тавичката с аксесоари.
4. Покрийте уреда със защитно покритие, което не задържа влага, и го съхранявайте на чисто и сухо място, защитено от температури на замръзване.

## Откриване и отстраняване на неизправности

bg

Проблем	Причина	Корекция
Помпата има следните проблеми: невъзможност да се създаде налягане, непостоянно налягане, бълбукане, загуба на налягане, малък обем вода.	<ol style="list-style-type: none"> <li>Отворът за подаване на вода е запушен.</li> <li>Количеството подавана вода е недостатъчно.</li> <li>Маркучът, по който се подава водата е нагънат или пропуска.</li> <li>Запушен входен филтър на водоструйката.</li> <li>Разпръскващият накрайник е запушен.</li> </ol>	<ol style="list-style-type: none"> <li>Почистете входящия отвор.</li> <li>Осигурете адекватно водоподаване.</li> <li>Изправете градинския маркуч или го заменете, ако протича.</li> <li>Почистете или заменете входния филтър за вода.</li> <li>Почистете разпръскващия накрайник.</li> </ol>
Устройството не стартира при стискане на спусъка на пистолета-разпръсквач.	<ol style="list-style-type: none"> <li>Водоподаването не е включено.</li> <li>Устройството не е включено.</li> <li>Градинският маркуч е твърде дълъг.</li> <li>Предпазителят е изгорял или прекъсвачът се е задействал.</li> </ol>	<ol style="list-style-type: none"> <li>Включете водоподаването.</li> <li>Натиснете главния превключвател ВКЛ./ИЗКЛ. в позиция ON (ВКЛ.) (I). Нулирайте PRCD.</li> <li>Използвайте само градински маркуч с максимална дължина 15,24 м (50 фута).</li> <li>а.) Заменете предпазителя или нулирайте прекъсвача.</li> <li>б.) Изключете другите електрически уреди и изключете лампите във веригата или работете в отделна верига.</li> <li>в.) Пуснете за 5 минути с турбо разпръсквач накрайник.</li> </ol>
Препаратът не се смесва с водната струя.	<ol style="list-style-type: none"> <li>Поставена е дюза за високо налягане</li> <li>Налягането на водата на входния отвор е твърде високо.</li> </ol>	<ol style="list-style-type: none"> <li>Поставете разпръскващия накрайник на дюзата.</li> <li>Бавно затваряйте клапата за подаване на вода, докато химикалът започне да се изтегля.</li> </ol>
Връзката на маркуча протича.	<ol style="list-style-type: none"> <li>Градинският маркуч е хлабав при входния отвор за вода.</li> <li>Хлабави връзки на маркуча за високо налягане.</li> <li>Повреден O-пръстен.¶</li> </ol>	<ol style="list-style-type: none"> <li>Затегнете градинския маркуч на ръка.</li> <li>Отстранете маркуча и монтирайте отново.</li> <li>Подменете O-пръстена.</li> </ol>

За всички останали проблеми се свържете с упълномощените сервизни представители на Briggs & Stratton.

Технически данни		
Допустимо налягане	MPa/BAR/PSI	16,0/160/2,320*
Макс. поток	LPM/GPM (Литра в минута/ галона в минута)	15,0/4,0*
Номинално налягане и дебит:	MPa/BAR/PSI @ LPM/GPM	12/120/1,740 @ 5.5/1.45
Температура на подавана вода	°C/°F	38/100
Номинално напрежение	V	220 - 240
Номинална честота	Hz	50/60
Потребление на енергия	W	2,500
Ток	A	9,0
Клас на защита	Клас	Клас II
Степен на защита	IP xx	IPX5
Вибрации ръка-рамо a <sub>hd</sub> Неопределеност K	m/s <sup>2</sup> m/s <sup>2</sup>	≤ 2,5* 0,2*
Ниво на звуковото налягане L <sub>pA</sub> Неопределеност K <sub>pA</sub>	dB(A) dB(A)	74* 2*
Ниво на акустична мощност L <sub>WA</sub>	dB(A)	94*
Гарантирано На звукова мощност L <sub>WAd</sub>	dB(A)	96*

\* Per EN 60335-2-79: 2012.

## Декларация за съответствие на ЕС

### Lavorwash spa

Via J.F.Kennedy, 12 – 46020 Pegognaga (MN) – Италия



Настоящата декларация за съответствие е издадена на пълната отговорност на производителя. С настоящото се удостоверява, че продуктите, посочени в този документ, са в съответствие със съответното законодателството на Съюза за хармонизация и носят маркировка „CE“. Моделите са в съответствие със следните Директиви и свързаните с тях стандарти.

**Продукт:** Водоструйка

**Модел - Тип:** BPW1800PX

### Стандарти на ЕС

2006/42/EC (+2009/127/EC)

2006/95/EC

2004/108/EC

2000/14/EC (+2005/88/EC)

2011/65/EU (+2015/863/EU)

2014/35/EU ≥ 2016-04-20

2014/30/EU ≥ 2016-04-20

### директиви

EN 60335-1:2012

EN 60335-2-79:2012

EN 62233:2008

EN 55014-1:2006+A1:2009+A2:2011

EN 55014-2:1997+A1:2001+A2:2008

EN 61000-3-2:2006+A1:2009+A2:2009

EN 61000-3-3:2013

EN 50581:2012

### Ниво на акустична мощност

Измерена dB(A): **94**

Гарантирана dB(A): **96**

2000/14/EC: Уредът се определя от № 27 на Анекс I. Процедура за оценка на съответствието съгласно Анекс V.

Техническото досие се съхранява в Lavorwash spa, via J.F.Kennedy, 12 - 46020 Pegognaga (MN) – Италия.

Lavorwash S.p.A

via J.F.Kennedy, 12

46020 Pegognaga

(MN) - Италия Pegognaga, 15 октомври 2015 г.

Giancarlo Lanfredi

Генерален директор

**ОГРАНИЧЕНА ГАРАНЦИЯ**

Briggs & Stratton гарантира, че по време на посочения по-долу гаранционен период, ще извърши безплатен ремонт или смяна на всяка част от дефектен материал, изработка или и двете. Транспортните такси за продукт, предоставен за ремонт или смяна съгласно настоящата гаранция, се поемат от купувача. Тази гаранция е валидна за определения срок и се подчинява на изложените по-долу условия. За гаранционното обслужване намерете най-близкия упълномощен сервизен представител в нашата указателна карта на адрес BriggsandStratton.com. Клиентът трябва да се свърже с упълномощен сервизен представител, на когото да предостави продукта за оглед и изпитване.

**Не е предоставена друга изрична гаранция. Косвените гаранции, включително тези за продаваемост и годност за определена цел, се ограничават до посочения по-долу гаранционен период или до степента, позволена от закона. Изключва се отговорността за случайни или последващи щети, доколкото това е позволено от закона.** В някои държави не се позволяват ограничения относно периода на косвената гаранция, а в други – изключването или ограничаването на случайни или последващи щети, затова е възможно горепосочените ограничения и изключвания да не се отнасят за вас. Тази гаранция ви предоставя конкретни законни права, като също така е възможно да притежавате други права, които се различават в зависимост от държавата.\*\*

**ГАРАНЦИОНЕН ПЕРИОД****За ползване за собствени нужди****За ползване за промишлени нужди**

12 месеца

Няма

\*\* За Австралия - Нашите стоки се доставят с гаранции, които не могат да се изключват по силата на австралийското законодателство за потребителите. При сериозен дефект имате право на замяна или възстановяване на сумата, както и на компенсация за всяка друга нормално предвидима загуба или повреда. Също така имате право на ремонт или смяна на продукта, в случай че качеството му не е приемливо и неизправността не може да се определи като сериозна. За гаранционното обслужване намерете най-близкия упълномощен сервизен представител в нашата указателна карта на BRIGGSandSTRATTON.COM или като позвъните на 1300 274 447, изпратите имейл или пишете на salesenquires@briggsandstratton.com.au, Briggs & Stratton Australia Pty Ltd, 1 Moorebank Avenue, NSW, Австралия, 2170.

Гаранционният срок започва да тече от датата на закупуване от първия потребител за потребителска или за търговска употреба. "Потребителска употреба" означава употреба за лични и домашни цели на място от краен потребител. "Търговска употреба" означава използването за всякакви други цели, включително търговски цели, генериране на доходи или отдаване под наем. След като веднъж продуктът е бил използван за търговски цели, той се счита за продукт за търговска употреба по силата на тази гаранция.

За да си гарантирате своевременно и пълно гаранционно покритие, регистрирайте своя продукт на уебсайта, посочен по-горе или на [www.onlineproductregistration.com](http://www.onlineproductregistration.com), или изпратете по пощата попълнената регистрационна карта (ако имате такава), или се обадете на тел. 1-800-743-4115 (за САЩ).

Запазете касовата бележка като доказателство за покупката. Ако при необходимост от гаранционно обслужване не осигурите доказателство за датата на първоначалната покупка, за определяне на гаранционния срок ще бъде използвана датата на производство на продукта. За получаване на гаранционно обслужване на продукти на Briggs & Stratton не е необходимо да регистрирате продукта.

**ОТНОСНО ВАШАТА ГАРАНЦИЯ**

Гаранционно обслужване е достъпно само в оторизирани сервизни центрове на Briggs & Stratton. Повечето гаранционни поправки се извършват рутинно, но има случаи, когато изпълняването на искането е невъзможно. Тази гаранция покрива само дефекти на материалите или изработката. Тя не покрива повреди, причинени от неправилна употреба или злоупотреба, неправилна поддръжка или ремонт, естествено износване или скъсване/счупване, старо или неодоброено гориво.

**Неправилна употреба и злоупотреба** - Правилната употреба съобразно предназначението на този продукт е описана в Наръчника за употреба.

Използването на този продукт по начин, който не е описан в ръководството за оператора, или използване, след като той е бил повреден, ще направи гаранцията невалидна. Няма да има гаранционно покритие, ако серийният номер на продукта е премахнат или ако продуктът е бил променен или модифициран по какъвто и да е начин, също както и при наличието на каквото и да е доказателство за злоупотреба, като повреда от удар или водна/химическа корозионна повреда.

**Неправилна поддръжка или ремонт** - Този продукт трябва да преминава техническо обслужване в съответствие с процедурите и графика, посочени в Наръчника за употреба, както и сервизно обслужване или ремонт с оригинални части на Briggs & Stratton или техен еквивалент. Тази гаранция не покрива повреди, предизвикани от липсата на поддръжка на продукта или от употребата на неоригинални части.

**Нормално износване** - Подобно на повечето механични съоръжения, и вашето устройство подлежи на износване дори когато се поддържа правилно. Тази гаранция не покрива ремонти, когато е настъпило естествено износване на част или на оборудване. Поддръжката и износването на части, като филтри, ремъци, режещи остриета и спирални накладки (с изключение на спиралните накладки на двигателя), не се покриват от гаранцията, когато са настъпили само вследствие на естествено износване; това не важи в случаи, когато се дължат на дефекти в материала или изработката.

**Престояло или неодоброено гориво** - За да може да функционира правилно, този продукт се нуждае от свежо гориво, което съответства на критериите, посочени в Наръчника за употреба. Повреди по двигателя или оборудването, причинени от старо гориво или от използването на неодоброени горива (като напр. етанолови смеси E15 или E85), не се покриват от гаранцията.

**Други изключения** - Тази гаранция изключва повреди вследствие на злополука, злоупотреба, модификации, промени, неподходящо обслужване, замръзване или разрушаване под химически въздействия. Приспособления или аксесоари, които не са доставени в оригиналната опаковка заедно с продукта, също са изключени от гаранцията. Гаранцията не покрива оборудване, което се използва за първичен източник на хранене вместо предназначения за тази цел, нито оборудване, което се използва в животоподдържащи системи. Настоящата гаранция не включва използване, възстановено, втора ръка или оборудване или двигатели за демонстрационни нужди. Тази гаранция също така изключва повреди, дължащи се на природни бедствия и други непредвидими обстоятелства, които са извън контрола на производителя.

80010169 БГ Рев -

## Obsah

Bezpečnostní a ovládací symboly	4
Popis zařízení	4
Montáž	5
Funkce a ovládání	5
Provoz	5
Údržba	7
Škládování	7
Řešení problémů	8
Specifikace	8
Záruka	10

## Bezpečnostní a ovládací symboly

Bezpečnostní symbol může být navíc použitý pro znázornění typu rizika. **VAROVÁNÍ** ukazuje na riziko, které, jestliže se mu nevyvarujete, může vést ke smrti nebo vážnému poranění. **UPOZORNĚNÍ** specifikuje postupy, které se nevztahují k poranění osob.



Čtěte návod



Vstříkávání kapaliny



Vstříkávání kapaliny



Vstříkávání kapaliny



Pád



Létající předměty



Pozar



Poleptání



Zapnuto



Vypnuto



Nepitná voda



Stříkácí pistolí nikdy nemířte na sebe, na jiné lidi nebo zvířata. Nikdy nestříkejte v blízkosti zdroje napětí nebo zařízení samotného.

Tento stroj není určen pro obsluhu osobami se sníženými fyzickými, smyslovými nebo mentálními schopnostmi, ani osobami s nedostatečnými zkušenostmi a znalostmi, nejsou-li pod dozorem a pokud nebyly poučeny o bezpečné obsluze a rizicích spojených s provozem (včetně dětí).

### VAROVÁNÍ

- Tento stroj byl navržen pro použití s čistícím prostředkem dodaným nebo doporučeným výrobcem. Použití jiných čistících prostředků nebo chemikálií může nepříznivě ovlivnit bezpečnost stroje.
- Vysokotlaké trysky mohou být nebezpečné, pokud se používají nesprávným způsobem. Tryskou nesmí mířit na osoby, zařízení pod elektrickým napětím nebo samotný stroj.

- Nepoužívejte stroj v dosahu osob, pokud tyto osoby nepoužívají ochranný oděv.
- Nemířte tryskou proti sobě nebo jiným osobám za účelem čištění oblečení nebo obuvi.
- Nebezpečí výbuchu – Nestříkejte na hořlavé kapaliny.
- Vysokotlaké čističe nesmí být používány dětmi nebo nepovolanými osobami.
- Vysokotlaké hadice, fitinky a spojky jsou důležité pro bezpečnost stroje. Používejte pouze hadice, fitinky a spojky doporučené výrobcem.
- Pro zajištění bezpečného provozu stroje používejte pouze originální náhradní díly od výrobce nebo ty schválené výrobcem.
- Voda, která prošla zpětnou klapkou je klasifikována jako nepitná.
- Vyjměte zástrčku ze zásuvky, chcete odpojit napájení při čištění nebo údržbě a při výměně dílů.
- Stroj nepoužívejte, pokud dojde k poškození kabelu nebo důležitých částí stroje, např. bezpečnostních zařízení, vysokotlakých hadic nebo spouště pistolé.
- Pro tuto elektrickou tlakovou myčku nepoužívejte prodlužovací kabel.
- Ponecháte-li stroj bez dozoru, vždy vypněte hlavní vypínač.

## Popis zařízení



Přečtěte si pečlivě tuto příručku a seznamte se svou tlakovou myčkou. Zjistěte, jaké má využití, jaká jsou její omezení a související rizika. Tyto původní pokyny si uložte pro pozdější použití.

Tato elektrická tlaková myčka pracuje při maximálním tlaku 12,0 MPa (120 BAR nebo 1740 PSI (liber na palec čtvereční)) a průtokové rychlosti do 15,00 l/min (litru za minutu) (4,0 GPM (galonů za minutu)).

Tento stroj není určen pro obsluhu osobami se sníženými fyzickými, smyslovými nebo mentálními schopnostmi, ani osobami s nedostatečnými zkušenostmi a znalostmi, nejsou-li pod dozorem a pokud nebyly poučeny o bezpečné obsluze a rizicích spojených s provozem (včetně dětí).

Vynaložili jsme veškeré úsilí, aby informace v této příručce byly přesné a aktuální. Výrobce si nicméně vyhrazuje právo kdykoli a bez předchozího upozornění měnit, upravovat nebo jinak zdokonalovat tlakovou myčku a tuto dokumentaci.

**UPOZORNĚNÍ** Pokud máte dotazy týkající se zamýšleného použití, zeptejte se prodejce nebo se obraťte na místní servisní středisko. NIKDY neuvádějte do provozu zařízení s poškozenými nebo chybějícími součástmi nebo bez ochranných pláště ani krytů. NEVYŘAZUJTE Z PROVOZU jakékoliv bezpečnostní prvky tohoto stroje. Žádným způsobem tlakovou myčku NEUPRAVUJTE. Toto zařízení je určeno **POUZE** pro používání s originálními díly Briggs & Stratton.

### Technologie POWERflow+™

Technologie POWERflow+ společnosti Briggs & Stratton představuje systém spolupracujících součástí, které umožňují dosahovat vysokého průtoku. Hnací silou myčky POWERflow+ je čerpadlo se dvěma zvláštními čistícími režimy: vysokotlakovým a vysoko průtokovým, díky nimž má myčka větší dosah, důkladnější použití čistících prostředků a rychlejší smývání.

## Proudový chránič

Tato tlaková myčka je vybavena proudovým chráničem (PRCD), který je zabudován do zástrčky napájecího kabelu. Toto zařízení poskytuje ochranu před rizikem elektrického šoku. PRCD poskytuje ochranu 10 mA.

## Automatické vypnutí

Při uvolnění nebo uzamčení spouště stříkací pistole senzor vypne motor. Pokud motor nadále běží i při uvolnění nebo uzamčení spouště, PŘÍSTROJ NEPOUŽÍVEJTE. Spojte se s autorizovaným prodejcem značky Briggs & Stratton.

**UPOZORNĚNÍ** Když myčka není v provozu, vypínač by měl být vždy v pozici VYPNUTO (0).

## Přetížení motoru

Zařízení pro ochranu proti přetížení automaticky vypne motor při přehřátí nebo když začne odebírat nadměrné množství proudu. Pokud se zařízení aktivuje, odpojte myčku od napájení přepnutím hlavního vypínače do polohy VYP (0). Nechte zařízení vychladnout po dobu 30 minut a pak přepněte vypínač do polohy ZAP (I).

## Likvidace v EU



Tento symbol znamená, že majitel baterií a elektrických nebo elektronických zařízení tento výrobek nesmí zlikvidovat spolu se směsným odpadem. Tento výrobek musí být zlikvidován ve vhodném zařízení. Máte-li zájem o další informace o likvidaci, kontaktujte společnost Briggs & Stratton nebo místního prodejce.

## Montáž

### Připojte podpurné hadice a madlo Obrázek 1 2

1. Zasuňte držáky (1,A) do otvorů. Srovnajte a připevněte pomocí šroubů (1,B). Během utahování dbejte na to, aby byly srovnané.
2. Zasuňte madlo (2,A) do držáků a zarovnejte otvory.
3. Prostrčte přídržné šrouby (2,B) otvory zevnitř sestavy, upevněte pomocí plastových kolíků (2,C) a dotáhněte.

### Funkce a ovládání Obrázek 3

A	Stříkací pistole	G	Elektrický kabel s PRCD
B	Tryska 7 v 1	H	Identifikační štítek
C	Držák příslušenství	J	Přívod vody
D	Nádrž čistícího prostředku	K	Vysokotlaký výstup
E	Hlavní vypínač	L	Adaptér trysky
F	Vysokotlakou hadici		

## Provoz

### Připojte hadici a přívod vody k čerpadlu

#### Obrázek 3 4 6

**UPOZORNĚNÍ** Používejte POUZE studenou vodu (méně než 38 °C (100 °F)).

1. Našroubujte vysokotlakou hadici (3,F) na pistoli (3,A).
2. Zasuňte modrou vysokotlakou hadici (3,F) k odtoku vody (3,K) a utáhněte.
3. Ujistěte se, že v součásti pro přívod vody je nainstalováno přívodní sítko a černé gumové těsnění (4,A).
4. Upevněte součást pro přívod vody (4,B) k přívodnímu otvoru a utáhněte.

**UPOZORNĚNÍ** povinnost zveřejnit Pro co nejlepší výkonnost zařízení jej připojujte JENOM ke zdroji vody, který dokáže poskytovat více než 5 GPM (18,9 l) a 25-75 psi (1,72-5,17 barů).

5. Propláchněte zahradní hadici vodou, aby došlo k odstranění případných nečistot.

**UPOZORNĚNÍ** Při používání zpětné klapky na vstupu čerpadla může dojít k poškození čerpadla. Mezi vstupem tlakové myčky a zpětnou klapkou MUSÍ být zajištěna minimální vzdálenost 3 m (10 stop).



**VAROVÁNÍ!** Voda, která prošla zpětnou klapkou, je klasifikována jako nepitná.

6. Připojte zahradní hadici (4,C) (nepřekračujte délku 15 m (50 ft.)) k přívodu vody (4,B) a dotáhněte.
7. Zapněte vodu, pistoli namířte bezpečným směrem, stiskněte tlačítko zámku spouště (5,A) a pak stiskněte spoušť, čím se systém zbaví vzduchu.
8. Připevněte adaptér trysky (3,L) na stříkací pistoli (3,A). Rukou utáhněte.
9. Zatáhněte límeček adaptéru dozadu (7,A), založte trysku 7 v 1 (7,B) a límeček uvolněte. Abyste se ujistili, že je stříkací tryska bezpečně připojená, krátce za ni zatahejte. Viz část *Tryska 7 v 1*.

### Spuštění tlakové myčky Obrázek 3 8 9



**VAROVÁNÍ!** Mohlo by dojít ke zpětnému stříknutí proudu vody nebo k vymrštění předmětů, a následnému vážnému poranění. Při používání tohoto zařízení nebo při pohybu v jeho blízkosti vždy používejte ochranné brýle s nepřímou ventilací (ochrana proti stříkání chemikálií), které splňují normu ANSI Z87.1.

1. Přepněte hlavní vypínač (3,E) do polohy VYP (0).



**VAROVÁNÍ!** Riziko smrti elektrickým proudem. **VAROVÁNÍ** Napětí elektrocentrály může způsobit úraz elektrickým proudem nebo popáleniny s následkem smrti nebo vážného zranění. S touto elektrickou tlakovou myčkou NEPOUŽÍVEJTE prodlužovací kabel. Elektrická zásuvka a prodlužovací kabely ve vaší domácnosti nemusí obsahovat proudový chránič, který vám může zachránit život.

2. Zapojte elektrický kabel (3,G) do vyhrazeného elektrického obvodu o 220 - 240 V střídavého proudu a 10 A, který je správně nainstalován v souladu se všemi místními nařízeními. Tento obvod nemá dodávat elektřinu žádnému jinému zařízení.
3. Stiskněte tlačítko RESET (8,C). Světlo indikátoru (8,B) by mělo svítit.

**UPOZORNĚNÍ** Aby mohla myčka pracovat, musí indikátor SVÍTÍT.

4. Stiskněte tlačítko TEST (8,A). Světlo indikátoru (8,B) by mělo být vypnuto.
5. Stiskněte tlačítko RESET (8,C). Světlo indikátoru (8,B) by mělo svítit.



**VAROVÁNÍ!** Riziko smrti elektrickým proudem. Pokud nebudete využívat PRCD, může to mít za následek smrt nebo zranění. Pokud indikátor po testu a resetování nezůstane rozsvícen, PRCD nepoužívejte.

6. Přepněte hlavní vypínač do polohy ZAP (I).
7. Zamířte pistoli bezpečným směrem, stiskněte tlačítko zámku spouště a stiskněte spoušť.

Motor se spustí a vypne podle stisknutí a uvolňování spouště stříkací pistole.

## Tryska 7 v 1 Obrázek 12

Tryska 7 v 1 vám umožňuje přepínat mezi sedmi různými režimy stříkání trysky. Před změnou stříkacího režimu uvolněte spoušť, čím se zajistí bezpečnostní zámek.

### 1. Zvolte požadovaný režim stříkání:

- Režim trysky Maximum 0° (Maximální 0°) **(A)** zvolte pro čištění obtížného nebo těžko přístupného povrchu, jako např. míst ve výškách, při odstraňování laku, olejových skvrn, odstraňování koroze nebo jiných úporných látek (dehet, guma, maziva, vosk atd.).
- Režim trysky General 15° (Všeobecný 15°) **(B)** zvolte pro obtížné postupy čištění. Je ideální pro odstraňování mastnoty a nečistot z tvrdých povrchů. Při umístění trysky v úhlu 45° jej lze také použít pro odstraňování laku.
- Režim trysky Gentle 40° (Jemný 40°) **(C)** použijte pro jemné čištění osobních/nákladních vozidel, lodí, obytných vozidel, zahradního nábytku, zahradního vybavení atd.
- Režim trysky Fan Spray (Rozstříkování) **(D)** zvolte pro zajištění optimálního oplachování lehkých nečistot a usazenin pomocí vysokého průtoku.
- Režim trysky Fan Spray with Soap (Rozstříkování s mýdlovým čisticím prostředkem) **(F)** použijte pro čištění choulolistivých povrchů osobních nebo nákladních vozidel, hraček, zahradního nábytku atd.
- Režim trysky Extended Reach (Prodloužený dosah) **(G)** použijte pro rychlé čištění s vysokým průtokem a čištění s dlouhým dosahem pro fasádu a okna v patře.
- Režim trysky Extended Reach with Soap (Prodloužený dosah s mýdlovým čisticím prostředkem) **(H)** použijte pro nanášení mýdlového čisticího prostředku na fasádu a okna v patře.

2. Pro nastavení otáčejte ovladačem trysky 7 v 1, dokud se nebude symbol požadovaného režimu nacházet proti šipce.

### Tipy pro používání

- Pro zajištění nejúčinnějšího čištění držte stříkací trysku ve vzdálenosti 20 až 61 cm (8 až 24 palců) od čištěného povrchu.
- Pokud stříkací trysku příliš přiblížíte, zejména při použití vysokotlaké stříkací trysky, může dojít k poškození čištěného povrchu.
- Při čištění pneumatik NE PŘIBLIŽUJTE trysku do vzdálenosti menší než 15 cm (6 palců).

### Používání čisticího prostředku Obrázek 3



**VAROVÁNÍ!** Chemické prostředky mohou způsobit popáleniny s následkem smrti nebo vážných poranění. Při práci s tlakovou myčkou NEPOUŽÍVEJTE žíravé louhy. Používejte POUZE čisticí/mýdlové prostředky určené pro tlakové myčky. Dodržujte pokyny výrobce.

### Při používání čisticího prostředku postupujte podle následujících kroků:

1. Odšroubujte víčko nádržky pro čisticí prostředek **(D)** a naplňte ji roztokem prostředku. Výměna lanka.
2. Ujistěte se, že na trysce 7 v 1 je zvolen jeden ze stříkacích režimů.

**UPOZORNĚNÍ** Čisticí prostředek není možné aplikovat pomocí vysokotlakých trysek (max, obecná, jemná, vějířovitě stříkání a prodloužený dosah).

3. Čisticí prostředek používejte na suchý povrch, nejprve jej aplikujte na spodní část omývané oblasti a pokračujte směrem nahoru, používejte dlouhé rovnoměrné překrývající se tahy.
4. Před omýváním a oplachování nechte čisticí prostředek „vsáknout“ podle pokynů jeho výrobce.

### Proplachování tlakové myčky

1. Zvolte vysokotlakou trysku.



**VAROVÁNÍ!** Při zpětném rázu stříkací pistole může dojít k pádu obsluhující osoby s následkem smrtelného nebo vážného poranění. Tlakovou myčku používejte na stabilním povrchu. Pokud musíte tlakovou myčku používat ze žebříku, lešení nebo z podobného místa, buďte extrémně opatrní. Při stříkání pod vysokým tlakem oběma rukama pevně uchopte stříkací pistoli, abyste předešli zpětnému rázu stříkací pistole.

2. Stříkejte proud vody na malou oblast a zkontrolujte případné poškození povrchu. Pokud není patrné žádné poškození, pokračujte v omývání.
3. S omýváním začněte v horní části a pokračujte směrem dolů stejnými překrývajícími se tahy jako při čištění.

### Zastavíte tlakovou myčku Obrázek 3

1. Uvolněte spoušť stříkací pistole.
2. Přepněte hlavní vypínač **(D)** do polohy VYP (0).

**UPOZORNĚNÍ** Uvolnění spouště vypne motor ale neodpojí zařízení od napájení elektrickým proudem.

3. Vypněte přívod vody.
4. Stříkací pistolí VŽDY zamiřte bezpečným směrem, stiskněte tlačítko zámku spouště a stiskněte spoušť, čím uvolníte tlak, který se v zařízení vytvořil.



**VAROVÁNÍ!** Proud vody po vysokém tlakem, který toto zařízení vytváří, může způsobit na kůži a podkožních tkáních řezná poranění, což může vést k vážným poraněním s možnými následky amputace. Když je soustava pod tlakem, ponechávejte vysokotlakou hadici připojenou k čerpadlu a stříkací pistolí. NEUMOŽŇUJTE DĚTEM tlakovou myčku obsluhovat nebo si s ní hrát. Po každém vypnutí myčky pistolí VŽDY zamiřte bezpečným směrem a stiskněte spoušť pro uvolnění vysokého tlaku.

5. Odpojte PRCD zástrčku **(G)** ze zásuvky a napájecí kabel stočte a zavěste na spodní hák na držáku příslušenství.
6. Vysokotlakou hadici stočte na vrchní hák panelu s příslušenstvím.
7. Červenou vysokotlakou trysku uchovávejte na konci adaptéru trysky. Stříkací pistolí, adaptér trysky a trysku 7 v 1 uchovávejte na panelu s příslušenstvím.

## Po každém použití

V zařízení by neměla dlouhodobě zůstat voda. Na součástech čerpadla může docházet k usazování sedimentů nebo minerálů, které mohou bránit provozu čerpadla. Po každém použití proveďte následující postup:

1. Myčku nechte v provozu s tryskou pro čisticí prostředek, dokud se nádržka nevyprázdí.
2. Do nádržky pro čisticí prostředek nalijte 0,5 litru vody a spusťte myčku s tryskou pro čisticí prostředek. Jednu až dvě minuty proplachujte.
3. Přepněte hlavní vypínač do polohy VYP (0). Vyjměte zástrčku kabelu z elektrické zásuvky.
4. Vypněte přívod vody. Zamiřte pistoli bezpečným směrem, stiskněte tlačítko zámku spouště a stiskněte spoušť, čím uvolníte tlak.
5. Zahradní hadici odpojte od přívodu vody. Odpojte vysokotlakou hadici od pistole a vysokotlakého odtoku.
6. Nechte vodu odtéct z hadice i pistole a setřete všechny vnější povrchy.
7. Nechte vodu odtéct z čerpadla tak, že zařízení na dvě minuty položíte na pravou stranu (přívod vody směřuje dolů). Obráťte zařízení a nechte jej další dvě minuty ležet na vysokotlakém odtoku.
8. Vysokotlakou hadici stočte na vrchní hák panelu s příslušenstvím.
9. Stočte napájecí kabel a zavěste jej na spodní hák na panelu s příslušenstvím. Stříkací pistoli, adaptér trysky a trysku 7 v 1 uchovávejte na panelu s příslušenstvím.
10. Zařízení skladujte v čistotě a suchu.
11. Při skladování po dobu delší než 30 dnů viz Skladování.

## Údržba

### Obecná doporučení

Pravidelná údržba zlepšuje výkonnost a životnost zařízení. Servis vám poskytne kterýkoli autorizovaný prodejce Briggs & Stratton. **NEUMOŽŇUJTE** čištění a údržbu tlakové myčky dětem bez dozoru.

Záruka na tuto tlakovou myčku se nevztahuje na poškození, k nimž došlo v důsledku nesprávného použití nebo nedbalosti ze strany obsluhy. Pro dosažení kompletního krytí prostřednictvím záruky musí obsluhující osoba udržovat tlakovou myčku ve stavu, jak je popisováno v tomto návodu, včetně odpovídajícího skladování, jak je popsáno v části *Skladování*.



**VAROVÁNÍ!** Pro zajištění bezpečného provozu stroje používejte pouze originální náhradní díly od výrobce nebo schválené výrobcem. V případě, že byste měli jakýkoliv dotaz ohledně výměny součástí na vaší tlakové myčce, navštivte prosím naše webové stránky na adrese [BRIGGSandSTRATTON.COM](http://BRIGGSandSTRATTON.COM). Je-li kabel poškozen, obraťte se na autorizované servisní středisko Briggs & Stratton.

## Údržba trysky Obrázek 3

Vyčistěte stříkací trysku pro eliminaci nadměrného tlaku čerpadla, způsobeného zanesenou stříkací tryskou:

1. Přepněte hlavní vypínač do polohy VYP (0). Vyjměte zástrčku kabelu z elektrické zásuvky.
2. Sejměte trysku 7 v 1 z koncové části adaptéru trysky.
3. Pomocí malé kancelářské sponky uvolněte veškeré cizí objekty, které ucpávají nebo omezují průtok stříkací trysky (B).
4. Nasadte trysku 7 v 1 znovu do adaptéru trysky.

## Údržba O-kroužku Obrázek 10

Pomocí lubrikačního prostředku (petrolej nebo syntetické mazivo) je možné zajistit zvýšenou těsnost dosedání O-kroužků. Před připojením vysokotlaké hadice (A), vysokotlaké hadice (B), stříkací pistole (C), a adaptéru trysky k pistoli aplikujte na těsnění lubrikant (D).

Sadu pro údržbu O-kroužků je možné zakoupit u autorizovaného servisního prodejce Briggs & Stratton. **NIKDY** neopravujte netěsné přípojky pomocí jakéhokoliv těsnícího prostředku. Vyměňte O-kroužek nebo těsnění.

## Výměna pojistky PRCD Obrázek 11



**VAROVÁNÍ!** Chcete-li předejít riziku požáru, vyměňte pouze za 13ampérovou pojistku s označením BS 1362.

Pokud je uvnitř PRCD vybaveno pojistkou:

1. Najděte pojistku na kolíkové straně zástrčky PRCD.
2. Pomocí plochého šroubováku sejměte kryt (A) s držákem pojistky. Vyjměte pojistku (B) zpod krytu. Nahraďte 13ampérovou pojistkou s označením BS 1362.
3. Nasadte kryt s držákem pojistky.

## Skladování

Postupujte podle kroků 1-10 v části *Po každém použití*.

**UPOZORNĚNÍ** Voda ponechaná v čerpadle může zamrznout a trvale poškodit čerpadlo. Poškození mrazem není kryto rozsahem záruky.

## Ochrana čerpadla

Pro ochranu čerpadla před poškozením způsobeným minerálními usazeninami nebo mrazem, použijte ochranný prostředek PumpSaver, abyste předešli zamrznutí a pro promazání pístů a těsnění.

**UPOZORNĚNÍ** V případě, že nebude zajištěna ochrana zařízení před teplotami pod bodem mrazu, dojde k poškození čerpadla a uvedení zařízení do neopravitelného stavu. Poškození mrazem není kryto rozsahem záruky.

## Další tipy pro skladování

1. Vysokotlakou hadici stočte na vrchní hák panelu s příslušenstvím.
2. Stočte napájecí kabel a zavěste jej na spodní hák na panelu s příslušenstvím.
3. Stříkací pistoli, adaptér trysky a trysku 7 v 1 uchovávejte uložené na panelu s příslušenstvím
4. Zařízení přikryjte vhodným ochranným krytem, který nezadržuje vlhkost a skladujte v čistém a suchém prostředí chráněném před mrazem.

# Řešení problémů

CS

Problém	Příčina	Náprava
<b>U čerpadla dochází k následujícím problémům: nevytváření tlaku, nestálý tlak, vibrace, ztráta tlaku, malé množství vody.</b>	<ol style="list-style-type: none"> <li>1. Přívod vody je zablokovaný.</li> <li>2. Nedostatečný přívod vody.</li> <li>3. Přívodní hadice je zlomená nebo netěsná.</li> <li>4. Ucpané přívodní sítko.</li> <li>5. Stříkací tryska je ucpaná.</li> </ol>	<ol style="list-style-type: none"> <li>1. Vyčistěte přívod.</li> <li>2. Zajistěte přiměřený průtok vody.</li> <li>3. Vyrovnajte zahradní hadici, nebo ji vyměňte, pokud netěsní.</li> <li>4. Vyčistěte nebo vyměňte přívodní sítko.</li> <li>5. Vyčistěte stříkací trysku.</li> </ol>
<b>Po stisknutí spouště stříkací pistole se zařízení nespustí.</b>	<ol style="list-style-type: none"> <li>1. Zdroj vody není zapnut.</li> <li>2. Zařízení není zapnuto.</li> <li>3. Zahradní hadice je příliš dlouhá.</li> <li>4. Vyhozené pojistky nebo aktivován přerušovač obvodu.</li> </ol>	<ol style="list-style-type: none"> <li>1. Vypněte přívod vody.</li> <li>2. Přepněte hlavní vypínač do polohy ZAP (I). Resetujte PRCD.</li> <li>3. Používejte jenom zahradní hadice o maximální délce 15,24 m (50 stop).</li> <li>4. a Vyměňte pojistky nebo resetujte přerušovač obvodu. b Odpojte další elektrické spotřebiče a vypněte světla v obvodu, nebo pracujte na vyhrazeném obvodu. c.) Nechte v provozu 5 minut s turbo tryskou.</li> </ol>
<b>Nedochází ke směšování čisticího prostředku s proudem vody.</b>	<ol style="list-style-type: none"> <li>1. Vysokotlaká tryska je nainstalována.</li> <li>2. Příliš vysoký tlak přívodu vody.</li> </ol>	<ol style="list-style-type: none"> <li>1. Nasadte stříkací trysku.</li> <li>2. Pomalu zavírejte ventil zdroje vody, než se začne napouštět chemikálie.</li> </ol>
<b>Netěsnící spoje hadice.</b>	<ol style="list-style-type: none"> <li>1. Zahradní hadice a přívod vody.</li> <li>2. Uvolněné spoje vysokotlaké hadice.</li> <li>3. Poškozené těsnění.¶</li> </ol>	<ol style="list-style-type: none"> <li>1. Ručně utáhněte zahradní hadici.</li> <li>2. Hadici odstraňte a nasadte znovu.</li> <li>3. Vyměňte těsnění.</li> </ol>

V případě všech ostatních problémů se obraťte na autorizovaného prodejce Briggs & Stratton.

## Specifikace

Povolný tlak	MPa/BAR/PSI	16,0/160/2,320*
Maximální průtok	LPM/GPM	15,0/4,0*
Nominální tlak a průtok	MPa/BAR/PSI @ LPM/GPM	12/120/1,740 @ 5,5/1,45
Teplota přiváděné vody	°C/°F	38/100
Nominální elektrické napětí	V	220 - 240
Jmenovitý kmitočet	Hz	50/60
Spotřeba energie	W	2,500
Proud	A	9,0
Třída ochrany	Třída	Třída II
Stupeň ochrany	IP xx	IPX5
Vibrace ruka - rameno $a_{hd}$ Neurčitost měření k	$m/s^2$ $m/s^2$	$\leq 2,5^*$ 0.2
Hladina akustického tlaku $L_{pA}$ Neurčitost měření $k_{pA}$	dB(A)	$74^*$ $2^*$
Hladina akustického výkonu $L_{WA}$	dB(A)	$94^*$
Garantovaná Hladina akustického	dB(A)	$96^*$

\* Dle EN 60335-2-79: 2012.

## EC Prohlášení o shodě

### Lavorwash spa

Via J.F.Kennedy, 12 – 46020 Pegognaga (MN) – Itálie

Toto prohlášení o shodě se vydává na výhradní odpovědnost výrobce. Tímto se potvrzuje, že produkty uvedené v tomto dokumentu splňují příslušné harmonizační právní předpisy Unie a mohou nést označení CE. Tyto modely splňují následující směrnice a související normy.

CS

**Produkt:** Vysokotlaková myčka

**Model - Typ:** BPW1800PX

### Standardy a nařízení EU

2006/42/EC (+2009/127/EC)

2006/95/EC

2004/108/EC

2000/14/EC (+2005/88/EC)

2011/65/EU (+2015/863/EU)

2014/35/EU ≥ 2016-04-20

2014/30/EU ≥ 2016-04-20

EN 60335-1:2012

EN 60335-2-79:2012

EN 62233:2008

EN 55014-1:2006+A1:2009+A2:2011

EN 55014-2:1997+A1:2001+A2:2008

EN 61000-3-2:2006+A1:2009+A2:2009

EN 61000-3-3:2013

EN 50581:2012

### Hladina akustického výkonu

Naměřená hlasitost dB(A): **94**

Garantovaná hlasitost dB(A): **96**

2000/14/EC: Tento spotřebič odpovídá definici č 27 přílohy I. Procesu hodnocení konformity v souladu s přílohou V.

Technické informace jsou uloženy v sídle Lavorwash S.p.A., Via J.F.Kennedy, 12 - 46020 Pegognaga (MN) - Itálie.

Lavorwash S.p.A

via J.F.Kennedy, 12

46020 Pegognaga

(MN) - Italy Pegognaga, 15. října 2015



Giancarlo Lanfredi  
generální manažer

## OMEZENÁ ZÁRUKA

Společnost Briggs & Stratton se zavazuje, že během níže uvedené záruční doby zdarma opraví nebo vymění jakoukoli část, která vykazuje vadu materiálu, provedení či obojí. Za přepravní náklady spojené s přepravou výrobku k opravě či náhradě při uplatnění záruky je zodpovědný zákazník. Tato záruka je platná pro stanovená časová období a podléhá níže uvedeným podmínkám. Pro záruční servis se obračejte na nejbližšího autorizovaného servisního prodejce, jehož naleznete na mapě prodejců na webové stránce [www.BRIGGSandSTRATTON.com](http://www.BRIGGSandSTRATTON.com). Kupující se musí obrátit na autorizovaného dealera, kterému poté umožní daný produkt důkladně prohlédnout a zkontrolovat.

**Neexistují jiné výslovné záruky. Předpokládané záruky, včetně záruk týkajících se prodejnosti a vhodnosti pro určitý účel, jsou omezeny na jeden rok od zakoupení či v rozsahu povoleném zákonem. Zodpovědnost za vedlejší či následné škody je vyloučena v rozsahu povoleném zákonem.** Některé státy a země nepovolují omezení toho, jak dlouho může implikovaná záruka trvat, a některé státy nebo země nepovolují vyloučení nebo omezení incidentních či následných škod, takže výše uvedená omezení či vyloučení nemusí ve vašem případě platit. Tato záruka vám dává specifická práva a práva, která budete mít, se mohou lišit mezi jednotlivými státy a zeměmi.\*\*

## ZÁRUČNÍ DOBA

## Spotřebitelské použití

12 měsíce

## Komerční použití

\* Platí pouze pro motory Briggs &amp; Stratton.

\*\* V Austrálii - Naše zboží je dodáváno se zárukami, které nelze vyloučit podle australských zákonů pro styk se zákazníky. V případě jiné přiměřeně předvídatelné ztráty či újmy máte nárok na náhradu škody. Máte také nárok na opravu nebo výměnu zboží, které nemá přijatelnou kvalitu a vykazuje poruchu, jež není považována za závažnou. Záruční servis zajišťují vám nejbližší autorizovaní dealeri, které naleznete podle naší mapy dealerů na webové stránce [BRIGGSandSTRATTON.COM](http://BRIGGSandSTRATTON.COM), nebo zavolejte na číslo 1300 274 447, zašlete e-mail na adresu [salesenquires@briggsandstratton.com.au](mailto:salesenquires@briggsandstratton.com.au) nebo se písemně obraťte na společnost Briggs & Stratton Australia Pty Ltd, 1 Moorebank Avenue, NSW, Austrálie, 2170.

Záruční doba začíná dnem nákupu prvním maloobchodním nebo komerčním spotřebitelem. „Spotřebitelské použití“ znamená osobní použití v domácnosti soukromým uživatelem. „Komerční použití“ zahrnuje všechna ostatní použití, včetně pro komerční, výnosné a pronájemové účely. Jestliže u výrobku jednou došlo ke komerčnímu použití, bude pro účely této záruky nadále považován za produkt ke komerčnímu použití.

Aby bylo zajištěno pohotovost a úplné záruční plnění, zaregistrujte produkt na výše uvedených webových stránkách, na stránkách [www.onlineproductregistration.com](http://www.onlineproductregistration.com), zašlete vyplněnou registrační kartu (je-li poskytnuta) nebo volejte na číslo 1-800-743-4115 (v USA).

Uschovejte si svůj pokladní doklad. Pokud v době požadavku na záruční služby neprokážete původní datum nákupu, záruční lhůta bude stanovena podle data výroby produktu. K poskytnutí záruční služby na produkty společnosti Briggs & Stratton není vyžadována registrace výrobku.

## O NAŠÍ ZÁRUCI

Záruční služby zajišťují pouze dealeri autorizovaní společností Briggs & Stratton. Většina reklamačních oprav probíhá bez problémů, ale někdy nemusí být žádost o záruční služby vhodná. Tato záruka se týká pouze defektů v materiálu a provedení. Netýká se škod vzniklých nesprávným použitím nebo zneužitím, nevyhovující údržbou či opravou, normálním opotřebením či starým či neschváleným palivem.

**Nevhodné použití a zneužití** - Řádné a vhodné použití tohoto výrobku je popsáno v Návodu k použití. Použití výrobku způsobem, který není popsán v Návodu k použití, či použití výrobku po jeho poškození ruší platnost záruky. Záruka je neplatná, jestliže bylo odstraněno či jakkoli pozměněno sériové číslo výrobku, jestliže výrobek nese známky nesprávného použití, jako například známky nárazu či vodní či chemické koroze.

**Nevhodná údržba či oprava** - Tento výrobek musí být udržován v souladu s postupy a plány v Návodu k použití, k opravě či servisu se smí používat pouze originální součástky od firmy Briggs & Stratton. Na poškození způsobená nedostatkem údržby či použitím jiných součástí se nevztahuje záruka.

**Normální opotřebenění** - Jako většina jiných mechanických zařízení, i vaše jednotka podléhá opotřebenění, i když bude řádně udržována. Záruka se nevztahuje na případy, kdy normální použití vedlo k vypršení životnosti výrobku nebo jeho části. Údržba a opotřebenění položek jako filtry, kabely, nože či brzdící destičky (motorové brzdící destičky jsou kryty) nejsou součástí záruky, jestliže jsou výsledkem samotného opotřebenění, kromě případů, kdy je tomu tak výsledkem defektu v materiálu či provedení.

**Staré či neschválené palivo** - Aby tento výrobek řádně fungoval, vyžaduje si čerstvé palivo, které je v souladu s podmínkami uvedenými v Návodu k použití. Na škody motoru nebo zařízení způsobené starým palivem nebo použitím neschválených paliv (například směsí etanolu E15 nebo E85) se nevztahuje záruka.

**Jiné výjimky** - Tato záruka také vylučuje poškození, která jsou výsledkem nehod, zneužití, modifikací, změn, nevhodného servisu a poškození mrazem či chemickými látkami. Nevztahuje se ani na příslušenství nebo doplňky, které s tímto produktem nebyly původně dodány. Záruka neplatí ani v případě vybavení použitého k napájení místo síťového napájení nebo vybavení použitého v rámci záchrany života. Tato záruka se nevztahuje na použité, repasované, druhotné nebo demonstrační zařízení a motory. Tato záruka se netýká selhání, která jsou výsledkem vyšší moci a jiných vlivů, které jsou mimo kontrolu výrobce.

## Indholdsfortegnelse

Sikkerhed og kontrolsymboler	4
Udstyrsbeskrivelse	4
Montering	5
Funktioner og kontroller	5
Operation	5
Vedligeholdelse	7
Opbevaring	7
Fejlfinding	8
Specifikationer	8
Garanti	10

## Sikkerhed og kontrolsymboler

En sikkerhedsymbol kan bruges til at repræsentere den type fare. **ADVARSEL** angiver en fare, som, hvis den ikke undgås, *kan* resultere i død eller alvorlig personskade.

**MEDDELELSE** adressepraksis ikke relateret til personskader.



Læs vejledningen



Væsketilførsel



Elektrisk stød



Sikkerhedsadvarselssymbol



Udrikkeligt vand



Brand



Kemisk forbrænding



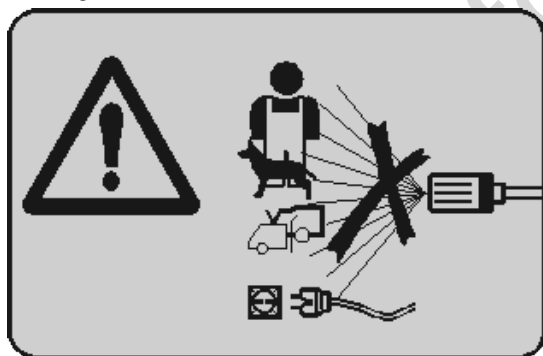
På (On)



Off (Af)



Flyvende objekter



Ret aldrig sprøjtepistolen på dig selv, andre eller dyr. Sprøjt aldrig i nærheden af strømkilde eller selve enheden.

Denne maskine er ikke beregnet til brug af personer (herunder børn) med nedsatte fysiske, sensoriske eller mentale evner eller manglende erfaring og viden, medmindre de er overvåget og givet instruktion om sikker drift og forståelse af de involverede risici.

### ADVARSEL

- Denne maskine er designet til at blive brugt med det rengøringsmiddel, der medfølger eller er anbefalet af producenten. Brugen af andre rengøringsmidler eller kemikalier kan have en negativ indvirkning på maskinens sikkerhed.

- Højtryksstråler kan være farlige, hvis de ikke bruges korrekt. Strålen må ikke rettes direkte mod personer, strømforsynet elektrisk udstyr eller selve maskinen.
- Brug ikke maskinen i nærheden af personer, medmindre de bærer beskyttelsestøj.
- Ret ikke strålen mod dig selv eller andre med henblik på at skylle tøj eller fodtøj.
- Eksplodingsfare – spray ikke brændbare væsker.
- Højtryksrensere må ikke bruges af børn eller utrænnet personale.
- Højtryksslanger, -fittings og -koblinger er vigtige for maskinens sikkerhed. Brug kun slanger, fittings og koblinger, der er anbefalet af producenten.
- For at sikre maskinens sikkerhed må der kun bruges originale reservedele fra producenten eller anbefalet af producenten.
- Vand, der strømmer gennem tilbageløbssikringer, betragtes som udrikkeligt.
- Fjern stik fra kontakter for at afbryde strømmen under rengøring eller vedligeholdelse samt ved udskiftning af reservedele.
- Brug ikke maskinen, hvis ledningen eller vigtige dele af maskinen er beskadiget, f.eks. sikkerhedsanordninger, højtryksslanger, udløser.
- Brug ikke en forlængerledning med denne elektriske højtrykrensere.
- Sluk altid hovedafbryderen, når maskinen efterlades uden opsyn.

## Udstyrsbeskrivelse



Læs denne vejledning omhyggeligt og blive bekendt med højtrykrensere. Kend dens anvendelsesmuligheder, dens begrænsninger og eventuelle farer, der er involveret. Gem disse originale anvisninger til fremtidig brug.

Denne elektriske højtrykrensere fungerer på maksimalt 12.0 MPa (120 BAR eller 1,740 PSI (pund pr. kvadrattomme)) ved en flow-hastighed på op til 15.00 LPM (liter i minuttet)(4.0 GPM (gallons i minuttet)).

Vi har gjort, hvad vi kan for at sikre, at oplysningerne i denne vejledning er præcise og aktuelle. Vi forbeholder os dog ret til at ændre, modificere eller på anden måde forbedre produktet og denne dokumentation til enhver tid og uden forudgående meddelelse.

**Bemærke** Hvis du har spørgsmål om påtænkte anvendelse, spørg forhandleren eller kontakt kvalificeret servicecenter. Du må **ALDRIG** benytte enheder med dele, der er i stykker, eller som mangler, eller som ikke har et beskyttende hus eller dæksel. **IKKE** omkørsel enhver sikkerhedsanordning på denne maskine. **DU MÅ IKKE** ændre højtrykrensere på nogen måde. Udstyret må **KUN** benyttes med dele, der er godkendt af Briggs & Stratton.

## POWERflow+ Teknologi™

Briggs & Stratton PowerFlow + Technology er et system af komponenter, der arbejder sammen om at levere høj flow-kapacitet. Kraften bag POWERflow+ ligger i pumpen med to adskilte rengøringstilstande: højtryk og højt flow, som forbedrer rensningen ved at nå længere, kraftindsæbning og hurtigere rensningsevne.

### Reststrømsbeskyttelse af den transportable anordning

Denne højtryksrenser er forsynet med en transportabel fejlstrømsanordning (PRCD) indbygget i stikket til netledningen. Denne anordning giver ekstra beskyttelse mod risikoen for stød. PRCD'en giver 10 mA beskyttelse

### Automatisk afbryder

En sensor vil afbryde motoren når sprøjtepistolkontakten slippes eller låses. Hvis motoren fortsætter med at køre, mens sprøjtepistolkontakten er sluppet eller låst, så BRUG IKKE SPRØJTEPISTOLEN Kontakt en autoriseret Briggs & Stratton forhandler.

**BEMÆRK** ON/OFF-kontakten skal altid være OFF position (0), når højtryksrenseren ikke er i brug.

### Overbelastning af motoren

En enhed til overbelastningsbeskyttelse slukker automatisk motoren i tilfælde af overophedning eller trækker for meget strøm. Hvis maskinen vælter, så afbryd strømmen ved at trykke på hoved- ON/OFF -kontakten til OFF (0) positionen. Lad maskinen afkøle i 30 minutter og tryk så ON/OFF-knappen til ON (I) positionen.

### EU Bortskaffelse



Dette symbol angiver ejeren af batterier og elektrisk eller den elektroniske udstyr må ikke bortskaffe dette produkt med usorteret husholdningsaffald. Dette produkt skal bortskaffes i miljømæssigt passende affaldplaceringer.

Kontakt venligst den lokale Briggs & Stratton eller din forhandler for yderligere bortskaffelseoplysninger.

## Montering

### Fastgør støtterør og håndtag Figur 1 2

1. Skub forsigtigt støtterørene (1,A) ind i hullerne. Flugt og fastgør med skruer (1,B). Fasthold at de flugter under tilspænding.
2. Placer håndtaget (2,A) på støtterørene og juster hullerne.
3. Indsæt bæreboltene (2,B) gennem hullerne fra indersiden af maskinen, påsæt plastikknopperne (2,C), og spænd fast.

## Funktioner og kontroller Figur 3

A	Sprøjtepistol	G	Netledning m/ PRCD
B	7-i-1 dyse	H	Identifikationsmærkat
C	Tilbehørsbakke	J	Vandforsyning indløb
D	Vaskemiddeltank	K	Højtryksudgang
E	Hoved-ON/OFF-knap	L	Dyseforlænger
F	Højtrykslange		

## Operation

### Tilslut slange og vandforsyning Figur 3 4 6

**BEMÆRK** Brug KUN koldt vand (mindre end 38 ° C (100 ° F).

1. Skru højtryksslange (3,F) ind pistolen (3,A).
2. Tilslut den blå højtryksslange (3,F) til afgang (3,K) og spænd fast.
3. Sikr dig at vandindløbsskærmen og den sorte gummiskive er monteret i koblingen til vandindløbet (4,A).
4. Tilslut koblingen til vandindløbet (4,B) til indløbet og spænd fast.

**BEMÆRK** For at opnå den bedste ydelse skal du KUN tilslutte vandforsyning, der kan levere mere end 5 GPM (18,9 l) and 25-75 psi (1,72-5,17 bar) ved den elektriske højtryksrenserens ende af haveslangen.

5. Køb vand gennem haveslange til at rense ud snavs.

**BEMÆRK** Ved hjælp af en tilbageløbssikring ved pumpens indløb kan forårsage pumpe skade. Der skal være mindst 3 m (10 foder), I ubegrænset haveslange mellem højtryksrenser indløb og tilbageløbssikring.



**ADVARSEL!** Vand, der er strømmet gennem en tilbageløbssikring anses for at være ikke-drikkevandskvalitet.

6. Forbind haveslangen (4,C) (ikke over 15 m (50 fod)) til vandindløbet (4,B) og spænd fast.
7. Tænd for vandet, peg pistolen i en sikker retning, og tryk på udløserlåseknappen (5,A), og klem derefter udløseren for at tømme systemet for luft.
8. Tilslut dyseforlænger (3,L) til sprøjtepistolen (3,A). Stram til med hånden.
9. Træk dyseforlængerens krave tilbage (7,A), indsæt 7-i-1 dysen (7,B) og slip kraven. Ryk i sprøjtespidsen for at sikre dig, at den sidder rigtigt. Se 7-i-1 Dyse.

### Start Højtryksrenser Figur 3 8 9



**ADVARSEL!** Spray kunne sprøjte tilbage eller fremdrive genstande resulterer i alvorlig personskade. Tag altid indirekte ventilation (kemiske stænk) sikkerhedsbriller på, der er mærket til at overholde ANSI Z87.1, når du bruger eller står i nærheden af dette udstyr.

1. Tryk hoved-ON/OFF-knappen (3,E) til OFF (0) positionen.



**ADVARSEL!** Risiko for el-ulykker. Berøring af stikkontakt kan forårsage elektrisk stød eller forbrænding, hvilket kan medføre dødsfald eller alvorlig personskade. til denne elektriske højtryksrenser. Hjemmets el-stikdåse eller forlængerledning kan måske ikke yde livreddende beskyttelse mod reststrøm.

2. Indsæt netledningen (3,G) i et dertil indrettet elektrisk kredsløb normeret til 220 - 240 Volts vekselstrøm ved 10 Ampère, som er korrekt installeret i overensstemmelse med lokale regler og vedtægter. Kredsløbet er ikke beregnet til brug for andre el-behov.
3. Tryk på RESET (nulstillings)-knappen (8,C). Indikatorlampen (8,B) skal være tændt.

**BEMÆRK** Indikatorlampen skal være tændt på den elektriske højtryksrenser for at den virker.

- Tryk på TEST-knappen (**8,A**). Indikatorlampen (**8,B**) skal være slukket.
- Tryk på RESET (nulstillings)-knappen (**8,C**). Indikatorlampen (**8,B**) skal være tændt.



**ADVARSEL!** Risiko for el-ulykker. PRCD, der ikke virker, kan resultere i død eller alvorlig personskade. Hvis indikatorlampen ikke lyser efter rest og nulstilling, så brug ikke PRCD.

- Tryk Hoved-ON/OFF-knappen til ON (I) positionen.
- Peg pistolen i en sikker retning, og tryk på udløserlåseknappen og klem udløseren.

Motoren starter og stopper, alt efter om sprøjtepistoludløseren trykkes ned eller slippes.

### 7-in-1 dyse Figur 12

7-i-1 dysen gør det muligt at skifte mellem syv forskellige sprøjtemønsterdyser. Slip udløseren på sprøjtepistolen for at aktivere sikkerhedslåsen, før der skiftes sprøjtemønster.

- Vælg det ønskede sprøjtemønster:
  - Vælg maksimum 0° dyse (**A**) til genstridige eller svært tilgængelige overflader såsom anden etages overflader, oliepletter, rustfjernelse eller andre genstridige stoffer (tjære, gummi, fedt, voks, etc.).
  - Vælg den generelle 15° dyse (**B**) til vanskelige rensningsopgaver. Perfekt til at fjerne fedt og snavs fra hårde overflader. Også i stand til fjernelse af maling, når det holdes ved en 45° vinkel.
  - Vælg den blide 40° dyse (**C**) til skånsom rengøring af biler/lastbiler, både, autocampere, havemøbler, græsslåmaskiner etc.
  - Vælg blæserdysen (**D**) til optimal højtryksrensning af let snavs og affald.
  - Vælg blæser plus sæbe dysen (**F**) til sarte overfladerengøring af biler, lastbiler, børns legetøj, havemøbler etc.
  - Vælg dysen med forlænget rækkevidde (**G**) til hurtig rensning med stort flow af vand og til langtrækkende rensning af toetagers beklædning og vinduer.
  - Vælg forlænget rækkevidde plus sæbe dysen (**H**) for at slynge sæbe op til toetagers beklædning og vinduer.
- Drej drejeknappen til det ønskede sprøjtemønster flugter med pilen på 7-i-1 dysen.

### Gode råd

- Hold sprøjtedysen i en afstand på 20 til 61 cm (8 til 24 tommer) fra den flade, du vil rengøre for at opnå den mest effektive rengøring.
- Hvis du holder sprøjtedysen for tæt på, specielt når du bruger en sprøjtedyse til højtryk, kan du beskadige den overflade, du rengør.
- KOM IKKE tættere på end 15 cm (6 tommer), når du rengør dæk.

### Anvendelse af vaskemiddel Figur 3



**ADVARSEL!** Kemikalier kan forårsage forbrændinger resulterer i dødsfald eller alvorlig personskade. Du MÅ IKKE benytte en ætsende væske med højtryksrenseren. Brug KUN rengøringsmidler/sæbe, der er sikre at anvende sammen med højtryksrenseren. Følg producentens anvisninger.

**Følg disse trin, når du tilsætter rengøringsmiddel:**

- Fjern hættten på rengøringsmiddelbeholderen (**D**) og påfyld rengøringsmiddelopløsning. Sæt hættten på igen.
- Sørg for, at én af sæbesprøjtemønsterdyserne vælges på 7-i-1 dysen.

**BEMÆRK** Vaskemiddel kan ikke anvendes med højtryksdyser (maksimum, generel, skånsom blæser eller forlænget rækkevidde).

- Anvend detergent til en tør overflade, der starter ved den nedre del af området, der skal vaskes og arbejde opad, ved hjælp af lange, lige, overlappende slagtilfælde.
- Lad vaskemidlet "blødgøre" i følge vaskemiddelproducentens anvisninger, før vask og skyl.

### Skylning med højtryksrenser

- Vælg den ønskede højtryksdysse



**ADVARSEL!** Tilbageslaget fra sprøjtepistolen kan vælte dig, hvilket kan medføre dødsfald eller alvorlig personskade. Brug højtryksrenseren, mens den er anbragt på en stabil overflade. Vær meget forsigtig, hvis du skal bruge højtryksrenser fra en stige, stillads, eller enhver anden lignende sted. Tag godt fat sprøjtepistol med begge hænder, når du bruger højtryk spray for at undgå skade, når sprøjtepistolen sparker tilbage.

- Påfør et højt sprøjtetryk til et lille område og tjek overfladen for skader. Hvis der ikke er nogen skader, kan du fortsætte skylningen.
- Start ved toppen af området, der skal skylles, arbejder ned med samme overlappende strøg, som du brugte til rengøring.

### Stop højtryksrenseren Figur 3

- Slip sprøjtepistolens udløser.
- Tryk hoved-ON/OFF-knappen (**E**) til OFF (0) positionen.

**BEMÆRK** At slippe udløseren vil slukke motoren, men afbryder ikke strømmen til enheden.

- Sluk for vandforsyningen.
- Peg ALTID højtryksrenseren i en sikker retning, tryk på udløserens låseknop og klem udløseren for at aflaste det opbyggede tryk i pistolen.



**ADVARSEL!** Den højtryksvandstråle, som dette udstyr producerer, kan skære gennem huden og det underliggende væv, hvilket vil resultere i alvorlig skade og mulig amputation. Sørg for, at højtryksslangen er koblet til pumpen og sprøjtepistolen, når der er tryk på systemet. BØRN MÅ IKKE benytte højtryksrenseren. Peg ALTID sprøjtepistolen i en sikker retning, klem sprøjtepistolens udløser for at aflaste det høje tryk, hver gang du slukker for højtryksrenseren.

- Frakobl PRCD-stikket (**G**) fra udtaget og rul ledningen op omkring den nederste krog på tilbehørsbakken.
- Rul højtryksslangen op omkring den øverste krog på tilbehørsbakken.
- Opbevar den røde højtryksdysse på enden af dyseforlænger. Opbevar højtryksrenseren, dyseforlænger og 7-i-1 dysen på tilbehørsbakken.

## Efter hver brug

Der må ikke være vand i enheden i længere perioder. Aflejringer eller mineraler kan sidde fast i pumpens dele og fastfryse pumpen. Følg denne procedure efter hver brug:

1. Lad højtryksrensere arbejde med sæbesprøjtedyse, indtil tanken er tom.
2. Tilsæt 0,5 liter vand til vaskemiddelbeholderen og lad højtryksrensere arbejde med sæbesprøjtedyse på. Skyl i 1 til 2 minutter.
3. Tryk hoved-ON/OFF-knappen til OFF (0) positionen. Tag netledningen ud af stikkontakten.
4. Sluk for vandforsyningen. Peg pistolen i en sikker retning, tryk på udløserlåseknappen og klem udløseren for at aflaste det opbyggede tryk.
5. Frakobl haveslange fra vandindtaget. Frakobl tryksslangen fra pistolen og højtryksafgangen.
6. Dræn vandet fra slangen og sprøjtepistolen, og tør alle udvendige overflader.
7. Dræn vandet fra pumpen ved at vippe enheden over på sin højre side (vandindløbet peger nedad) i to minutter. Vend enheden og lad den hvile på højtryksafgangen i yderligere to minutter.
8. Rul højtryksslangen op omkring den øverste krog på tilbehørsbakken.
9. Rul netledningen omkring den nederste krog på tilbehørsbakken. Opbevar højtryksrensere, dyseforlænger og 7-i-1 dysen på tilbehørsbakken.
10. Opbevar enheden på et rent, tørt område.
11. Hvis enheden skal opbevares i flere end 30 dage, så læs afsnittet Opbevaring.

## Vedligeholdelse

### Generelle anbefalinger

Regelmæssig vedligeholdelse forbedrer motorens ydeevne og forlænger dens levetid af generatoren. Henvend dig til et Briggs & Stratton autoriseret serviceværksted for vedligeholdelse. Lad IKKE børn til at rengøre eller vedligeholde uden opsyn.

Garantien for højtryksrensere dækker ikke dele, der har været udsat for misbrug eller misligholdelse. For at modtage fuld værdi fra garantien, skal operatøren bibeholde højtryksrensere er angivet i denne manual, inklusive korrekt opbevaring som beskrevet i Opbevaring.



**ADVARSEL!** For at sikre maskinsikkerhed brug kun originale reservedele fra producenten eller er godkendt af producenten. Brug kun originale reservedele fra fabrikanten eller dele, der er godkendt af fabrikanten, for at sikre maskinens sikkerhed. Hvis du har spørgsmål vedrørende udskiftning af dele på højtryksrensere, skal du gå ind på vores websted BRIGGSandSTRATTON.COM. Er ledningen beskadiget, henvises til et Briggs & Stratton-autoriseret servicecenter.

## Dyse vedligeholdelse

Rengør sprøjtedyse for at udbedre et for højt tryk i pumpen, der skyldes, at sprøjtedyse er tilstoppet:

1. Tryk hoved-ON/OFF-knappen til OFF (0) positionen. Tag netledningen ud af stikkontakten.
2. Fjern 7-i-1 dysen fra enden af dyseforlænger.
3. Brug en lille papirklips til at frigøre et fremmedlegeme, der stopper eller begrænser dysen.
4. Geninstaller 7-in-1 dysen i dyseforlænger.

## Vedligeholdelse af o-ringer Figur 10

Brug af smøremiddel (petroleum eller syntetisk smørefedt) hjælper med at anbringe o-ringene og giver en tættere forsegling. Påfør et smøremiddel til O-ringene før montering af højtryksslangen (A), højtryksslange (B), Sprøjtepistol (C), og plastikstaven (pistolenden) (D).

Køb et vedligeholdelsessæt til o-ringe ved at kontakte en autoriseret Briggs & Stratton-serviceforhandler. Du må ALDRIG reparere lækager på forbindelser med tætningsmiddel af nogen art. Udskift O-ringen eller segl.

## Udskiftning af PRCD-sikring Figur 11



**ADVARSEL!** Med henblik på at reducere brandrisiko må der kun udskiftes med en 13 A BS 1362 sikring.

Hvis udstyret med sikring i PRCD:

1. Find sikringen på den side af PRCD-stikket med stift.
2. Brug en skruetrækker med fladt hoved til at fjerne 'dæksel (A) og sikring'-enheden. Fjern sikringen (B) fra dækslet. Erstat sikringen med en 13 A BS 1362 sikring.
3. Indsæt 'dæksel og sikring'-enheden.

## Opbevaring

Følg trin 1-10 i afsnittet Efter hver brug.

**BEMÆRK** Vand, der efterlades i pumpen, kan fryse og skade pumpen permanent. Frys skader er ikke dækket af garantien.

## Beskyttelse af pumpen

For at beskytte pumpen mod skader, der skyldes mineralaflejringer eller frost, skal du bruge PumpSaveren til at undgå frostskafer og smøre stempler og pakninger.

**BEMÆRK** Manglende beskyttelse af enheden mod temperaturer under 0 grader vil beskadige pumpen og gøre enheden uanvendelig. Frys skader er ikke dækket af garantien.

## De sidste opbevaringstips

1. Rul højtryksslangen op omkring den øverste krog på tilbehørsbakken.
2. Rul netledningen omkring den nederste krog på tilbehørsbakken.
3. Opbevar højtryksrensere, dyseforlænger og 7-i-1 dysen på tilbehørsbakken.
4. Tildæk enheden med et passende beskyttelsesovertræk, som ikke fastholder fugt, og opbevar enheden i et rent, tørt område, beskyttet mod frost.

# Fejlfinding

Problem	Årsag	Korrektion
<b>Pumpen har følgende problemer: manglende tryk, uregelmæssigt tryk, skratten, tryktab, lav vandstand.</b>	<ol style="list-style-type: none"> <li>2.Vandindtaget er blokeret.</li> <li>3.Vandtilførslen er ikke korrekt.</li> <li>4.Der er en lækage eller et knæk på tilførselsslangen.</li> <li>Tilstopet vandtilførselsskærm.</li> <li>9.Sprøjtedyse er tilstoppet.</li> </ol>	<ol style="list-style-type: none"> <li>2.Rens indtaget.</li> <li>3.Sørg for passende vandtilførsel.</li> <li>Ret hoseslangen ud eller udskift den, hvis den er utæt.</li> <li>Rens eller udskift indgangsskærmen.</li> <li>9.Rens sprøjtedyse.</li> </ol>
<b>Enheden starter ikke, når sprøjtepistolens udløser bliver klemt.</b>	<ol style="list-style-type: none"> <li>Vandforsyningen er ikke tændt.</li> <li>Maskinen er ikke tændt.</li> <li>Haveslangen er for lang.</li> <li>Sikringen er sprunget eller kredsløbsafbryder slået fra.</li> </ol>	<ol style="list-style-type: none"> <li>1.Sluk for vandtilførslen.</li> <li>Tryk hoved-ON/OFF-knappen til ON (I) positionen. Nulstil PRCD.</li> <li>Brug højst 15,24 m (50 fod) hoseslange.</li> <li>a.) Udskift sikringen eller nulstil strømafbryderen.</li> <li>b.) Afbryd andre apparater og sluk lamper i denne strømkreds eller brug et dedikeret kredsløb.</li> <li>c.) Arbejd i 5 minutter med turbo-sprøjtespiden.</li> </ol>
<b>Rengøringsmiddel blandes ikke med strålen.</b>	<ol style="list-style-type: none"> <li>Højtryksdyse er monteret.</li> <li>Indløbsvandets tryk er for højt.</li> </ol>	<ol style="list-style-type: none"> <li>Isæt dysens sprøjtespids.</li> <li>Luk langsomt vandforsyningsventilen indtil kemikaliet begynder at trækkes med</li> </ol>
<b>Slangetilslutninger er utætte.</b>	<ol style="list-style-type: none"> <li>Haveslange utæt ved vandtilgangen.</li> <li>Utætte højtryksslangetilslutninger.</li> <li>Beskadiget O-ring.</li> </ol>	<ol style="list-style-type: none"> <li>Stram hoseslangen med hånden.</li> <li>Fjern slangen og monter den igen.</li> <li>Udskift O-ringen.</li> </ol>

For alle andre spørgsmål, se en Briggs & Stratton forhandler.

Specifikationer		
Maksimaltryk	MPa/BAR/PSI	16,0/160/2,320*
Maks. flow	LPM/GPM	15,0/4,0*
Nominelt tryk og flow	MPa/BAR/PSI @ LPM/GPM	12/120/1,740 @ 5,5/1,45
Vandforsyningstemperatur	°C/°F	38/100
Nominal spænding	V	220 - 240
Vurderet frekvens	Hz	50/60
Strømforbrug	W	2,500
Nuværende model	A	9.0
Beskyttelsesklasse	Klasse	Klasse 2
Beskyttelsesgrad	IP xx	IPX5
Hånd- - Armvibration $a_{hd}$ usikkerhed K	$m/s^2$ $m/s^2$	$\leq 2,5^*$ $0,2^*$
Lydtryksniveau $L_{pA}$ Usikkerhed $K_{pA}$	$dB(A)$ $dB(A)$	$74^*$ $2^*$
Lydtryksniveau $L_{WA}$	$dB(A)$	$94^*$
Garanteret lydtryksniveau $L_{WAd}$	$dB(A)$	$96^*$

\* I følge EN 60335-2-79: 2012.

## EF-overensstemmelseserklæring

### Lavorwash spa

Via JFKennedy, 12-46020 Pegognaga (MN) - Italien

Denne overensstemmelseserklæring udstedes på eneansvar af producenten. Det attesteres, at de i dette dokument, er i overensstemmelse med den relevante EU-harmoniseringslovgivning og kan bære CE-mærket. Disse modeller er i overensstemmelse med følgende direktiver og relaterede standarder.



### Produkt: Højtryksrensere

Model - Type: BPW1800PX

#### EU-direktiver

2006/42/EC (+2009/127/EC)

2006/95/EC

2004/108/EC

2000/14/EC (+2005/88/EC)

2011/65/EU (+2015/863/EU)

2014/35/EU ≥ 2016-04-20

2014/35/EU ≥ 2016-04-20

#### Standarder

EN 60335-1:2012

EN 60335-2-79:2012

EN 62233:2008

EN 55014-1:2006+A1:2009+A2:2011

EN 55014-2:1997+A1:2001+A2:2008

EN 61000-3-2:2006+A1:2009+A2:2009

EN 61000-3-3:2013

EN 50581:2012

#### Lydeffektniveau

Målt dB(A): **94**

Garanteret dB(A): **96**

2000/14/EC: Apparatet er defineret ved nr 27 i bilag I. Overensstemmelsens evalueringsprocedure i overensstemmelse med bilag V.

Den tekniske dokumentation opbevares i LAVORWASH spa via JFKennedy, 12-46020 Pegognaga (MN) - Italien.

### Lavorwash S.p.A

via J.F.Kennedy, 12

46020 Pegognaga

(MN) - Italien Pegognaga, oktober 15, 2015

Giancarlo Lanfredi

General bestyrer

**BEGRÆNSET GARANTI**

Briggs & Stratton garanterer, at i garantiperioden er angivet nedenfor, vil det reparere eller udskifte gratis, enhver del, der er defekt i materiale eller udførelse eller begge. Transport afgifter på produkt indsendt til reparation eller udskiftning i henhold til denne garanti, afholdes af køber. Garantien gælder for og i overensstemmelse med de tidsperioder og betingelser, der fremgår af det følgende. Find den nærmeste autoriserede serviceforhandler på kortet over forhandlere på BRIGGSandSTRATTON.com i forbindelse med service under garantien. Køber skal kontakte den godkendte serviceforhandler, og stille produktet til rådighed for den autoriserede serviceforhandler, så denne kan efterse og afprøve det.

**Der er ingen anden udtrykkelig garanti. Underforståede garantier, herunder for salgbarhed og egnethed til et bestemt formål, er begrænset til den nedenfor garantiperioden, eller i det omfang loven tillader. Ansvar for hændelige skader eller følgeskader er udelukket i det omfang udelukkelse er tilladt ved lov.** Nogle stater eller lande tillader ikke begrænsninger på, hvor længe en underforstået garanti varer, og nogle stater eller lande tillader ikke udelukkelse eller begrænsning af hændelige skader eller følgeskader, så ovenstående begrænsning og udelukkelse muligvis ikke gælder for dig. Denne garanti giver dig specifikke juridiske rettigheder, og du kan også have andre rettigheder, der varierer fra stat til stat eller land til land.\*\*

**GARANTIPERIODE****Forbrugeranvendelse      Handels brug**

12 måneder

Intet

\*\* I Australien - Vores varer leveres med garantier, der ikke kan udelukkes ifølge den australske forbrugerlovgivning. Du har ret til udskiftning eller godtgørelse for større fejl og kompensation for andre tab eller tab, der med rimelighed kan forventes. Du har også ret til at have varerne repareret eller udskiftet, hvis varerne ikke er af acceptabel kvalitet, og fejlen ikke udgør en større fejl. For garantiservice, finde den nærmeste autoriserede serviceforhandler i vores forhandlerliste kort på BRIGGSandSTRATTON.COM, eller ved at ringe 1300 274 447, eller ved at sende en mail eller skrive til salesenquires@briggsandstratton.com.au, Briggs & Stratton Australia Pty AS, 1 Moorebank Allé, NSW, Australien, 2170.

Garantiperioden begynder på købsdatoen af den første detalje eller kommerciel forbruger. "Forbrugernes anvendelse": brug i privat husholdning af en almindelig privatbruger. "Kommerciel brug": alle andre formål, herunder anvendelse til erhvervs-, indtægts- eller leje formål. For at sikre øjeblikkelig og fuldstændig dækning af garantien, skal du registrere produktet på ovennævnte websted eller på [www.onlineproductregistration.com](http://www.onlineproductregistration.com).

Du kan også indsende det udfyldte registreringskort (hvis det medfølger) eller ringe til 1-800-743-4115 (i USA).

Gem købskvitteringen. Hvis du ikke kan fremvise dokumentation for den første købsdato, når du anmoder om servicegaranti, vil fremstillingsdatoen blive brugt til beregning af garantiperioden. produktregistrering er ikke påkrævet at opnå garantiservice på Briggs & Stratton products.

**OM GARANTIEN**

Garantiservice er kun tilgængelig via Briggs & Stratton autoriseret service-forhandlere. De fleste garantireparationer håndteres rutinemæssigt, men nogle gange anmodninger om garantiservice er muligvis ikke egnede. Denne garanti dækker kun defekter i materialer eller udførelse. Den dækker ikke skader, der skyldes ukorrekt anvendelse eller misbrug, ukorrekt vedligeholdelse eller reparation, almindeligt slid eller gammelt brændstof, der ikke er godkendt.

**Forkert brug og misbrug** - Den korrekte, påtænkt anvendelse af dette produkt er beskrevet i brugsanvisningen. Hvis produktet er brugt på en måde, der ikke er beskrevet i brugervejledningen, eller det er brugt efter en skade, er det ikke dækket af garantien. Garantien dækker heller ikke, hvis serienummeret på produktet er fjernet, eller hvis produktet på nogen måde er ændret eller modificeret, eller hvis der er tegn på misbrug såsom skader efter stød eller skader efter vand/kemisk tæring.

**Forkert vedligeholdelse eller reparation** - Dette produkt skal vedligeholdes i overensstemmelse med de procedurer og tidsplaner, der er fastsat i brugsanvisningen, og serviceres eller repareres med originale Briggs & Stratton reservedele eller tilsvarende. Skader som følge af manglende vedligeholdelse eller brug af ikke-originale dele er ikke dækket af garantien.

**Almindelig slitage** - Som de fleste mekaniske anordninger, enheden er udsat for slid, selv når ordentligt vedligeholdt. Garantien dækker ikke reparationer, når en del eller udstyret er udtjent som følge af normal brug. Vedligeholdelsesdele og udskiftelige dele såsom filtre, remme, skæreblade og bremseklodser (undtagen bremseklodser i motoren) er ikke dækket af garantien, hvis det alene skyldes slitage, medmindre årsagen skyldes materiale- eller fabriktionsfejl.

**Forældet eller ikke-godkendt brændstof** - For at fungere korrekt, dette produkt kræver frisk brændstof, der overholder kriterierne i brugsanvisningen. Skade på motor eller udstyr, der skyldes gammelt brændstof eller brug af brændstof, der ikke er godkendt (såsom E15- eller E85-blandinger), er ikke dækket af garantien.

**Andre undtagelser** - Denne garanti omfatter ikke skader som følge af uheld, misbrug, modifikationer, forandringer, forkert vedligeholdelse, indefrysning eller kemisk forringelse. Tilbehør, der ikke oprindeligt blev leveret sammen med produktet, er også undtaget. Der er ingen garanti dækning på udstyr, der anvendes til primær effekt i stedet for strømforsyningen eller på udstyr, der anvendes i livsbistands anbringelser. Denne garanti omfatter ikke brugt, istandsat, brugte, eller demonstration udstyr eller motorer. Garantien udelukker også mangler, der skyldes force majeure-hændelser, der er uden for fabrikantens kontrol.

# Inhaltsverzeichnis

Sicherheits- und Bediensymbole . . . . .	4
Gerätebeschreibung . . . . .	4
Zusammenbau . . . . .	4
Funktionen und Bedienelemente . . . . .	4
Betrieb . . . . .	5
Wartung . . . . .	7
Lagerung . . . . .	7
Fehlersuche . . . . .	8
Spezifikationen . . . . .	8
Garantie . . . . .	10

de

## Sicherheits- und Bediensymbole

Ein Gefahrensymbol kann verwendet werden, um die Art der Gefahr darzustellen. **WARNUNG** weist auf eine Gefahr hin, die zum Tod oder zu schweren Verletzungen führen *könnte*, wenn sie nicht vermieden wird. **HINWEIS** bezieht sich auf Praktiken, die keine Verletzungsgefahr in sich bergen.



Anleitung lesen



Verätzung



Explosionsgefahr



Stromschlaggefahr



Fallen



Bewegliche Teile



Flüssigkeitsinjektion



Sicherheitsswarnsymbol



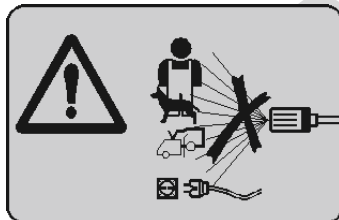
An



Aus



Kein Trinkwasser



Richten Sie die Spritzpistole nicht gegen sich selbst, andere oder Tiere. Sprühen Sie nicht in Richtung der Stromquelle oder des Geräts.

Dieses Gerät ist nicht zur Verwendung von Personen (einschließlich Kindern) mit eingeschränkten physischen, sensorischen oder geistigen Fähigkeiten oder mangelnder Erfahrung und Wissen, es sei denn unter Aufsicht und Anleitung zur sicheren Handhabung und Verständnis der damit verbundenen Gefahren, vorgesehen.

### WARNUNG!

- Diese Maschine ist auf die Verwendung dem mitgelieferten oder dem vom Hersteller empfohlenen Reinigungsmittel ausgelegt. Die Verwendung von anderen Reinigungsmitteln oder Chemikalien kann schädliche Auswirkungen auf die Maschinensicherheit haben.

- Hochdruckdüsen können gefährlich sein, wenn sie unsachgemäß verwendet werden. Die Düsen dürfen niemals auf Personen, unter Spannung stehende elektrische Geräte oder die Maschine selbst gerichtet werden.
- Verwenden Sie die Maschine nicht innerhalb der Reichweite von anderen Personen, wenn sie keine Schutzkleidung tragen.
- Richten Sie die Düse nicht auf sich selbst oder andere in dem Versuch, Kleidung oder Schuhwerk zu säubern.
- Explosionsgefahr – Sprühen Sie nicht mit entzündlichen Flüssigkeiten.
- Hochdruckreiniger dürfen nicht von Kindern oder ungeschultem Personal verwendet werden.
- Hochdruckschläuche, Nippel und Kupplungen sind für die Sicherheit der Maschine ausschlaggebend. Verwenden Sie ausschließlich Hochdruckschläuche, Nippel und Kupplungen, die vom Hersteller empfohlen sind.
- Die Sicherheit des Gerät ist nur dann gewährleistet, wenn Sie Originalersatzteile des Herstellers oder vom Hersteller freigegebene Ersatzteile verwenden.
- Wasser, das einen Rückflussverhinderer passiert hat, ist kein Trinkwasser.
- Ziehen Sie den Netzstecker, um die Stromzufuhr während Reinigung, Wartung oder Ersatzteilaustausch zu unterbrechen.
- Verwenden Sie die Maschine nicht, wenn das Kabel oder wesentliche Teile der Maschine beschädigt sind, wie beispielsweise Schutzvorrichtungen, Hochdruckschläuche oder die Strahlpistole.
- Der elektrische Hochdruckreiniger darf nicht mit Verlängerungskabeln betrieben werden.
- Schalten Sie stets den Hauptschalter aus, wenn Sie die Maschine unbeaufsichtigt stehen lassen.

## Gerätebeschreibung



Lesen Sie diese Anleitung sorgfältig durch und machen Sie sich mit dem Hochdruckreiniger vertraut. Nehmen Sie seine Anwendungsbereiche, Einschränkungen und etwaige Gefahren zur Kenntnis. Bewahren Sie diese Original-Bedienungsanleitung zum späteren Nachschlagen auf.

Dieser elektrische Druckreiniger arbeitet mit maximal 12,0 MPa (120 BAR oder 1.740 PSI (pounds square inch)) bei einer Durchflussrate von bis zu 15,00 LPM (Liter pro Minute)(4,0 GPM (Gallonen pro Minute)).

Die Richtigkeit und Aktualität der Informationen in diesem Handbuch wurden nach bestem Wissen gewährleistet. Der Hersteller behält sich jedoch das Recht vor, den Hochdruckreiniger und die vorliegende Dokumentation jederzeit ohne vorherige Ankündigung zu verändern oder anderweitig zu verbessern.

**HINWEIS** Bei Fragen zu vorgesehenen Verwendungszwecken wenden Sie sich an einen Vertragshändler oder ein autorisiertes Service-Center in Ihrer Nähe. Verwenden Sie dieses Gerät NICHT, wenn Teile beschädigt sind oder fehlen oder ohne Schutzgehäuse oder Abdeckungen. Die Schutzvorrichtungen dieses Geräts dürfen NICHT umgangen werden. Der Druckreiniger darf NICHT verändert werden. Dieses Gerät ist **NUR** zur Verwendung mit von Briggs & Stratton freigegebenen Teilen ausgelegt.

## POWERflow + Technology™

Die Briggs & Stratton's POWERflow+ Technologie verwendet verschiedene Komponenten, mit denen eine hohe Durchflussrate erzielt wird. Die Kraft hinter POWERflow+ ist die Pumpe, die zwei verschiedene Reinigungsarten ermöglicht: Hochdruck und hoher Durchfluss mit höherer Reichweite, starkem Einseifen und schnellerer Spülung.

### Ortsveränderliche Fehlerstrom-Schutzeinrichtung

Dieser Druckreiniger ist mit einer ortsveränderlichen Fehlerstrom-Schutzeinrichtung (PRCD) im Stecker des Netzkabels ausgestattet. Sie bietet zusätzlichen Schutz vor einem elektrischen Schlag. Die PRCD bietet 10 mA Schutz.

### Abschaltautomatik

Ein Sensor schaltet den Motor ab, wenn der Abzug der Spritzpistole freigegeben oder gesperrt wird. Wenn der Motor bei freigegebenem oder gesperrtem Abzug weiterläuft, **BENUTZEN SIE DAS GERÄT NICHT**. Setzen Sie sich mit einem Briggs & Stratton-Vertragshändler in Verbindung.

**HINWEIS** Der ON/OFF Schalter muss immer auf OFF (0) stehen, wenn der Druckreiniger nicht in Gebrauch ist.

### Motorüberlast

Ein Überlastschutz schaltet den Motor automatisch ab, wenn er überhitzt oder zu viel Strom verbraucht. Wenn diese Schutzvorrichtung auslöst, trennen Sie das Gerät vom Stromnetz, indem Sie den Hauptschalter (ON/OFF) auf OFF (0) stellen. Lassen Sie das Gerät 30 Minuten abkühlen und schalten Sie es ein (ON (I)).

### EU-Entsorgung



Dieses Symbol bedeutet, dass der Eigentümer von Batterien und elektrischen oder elektronischen Geräten diese nicht im allgemeinen Abfall entsorgen darf. Dieses Produkt muss an geeigneten, umweltfreundlichen Entsorgungsstellen entsorgt werden. Wenden Sie sich an Briggs & Stratton oder Ihren Händler, wenn Sie weitere Informationen zur Entsorgung benötigen.

## Montage

### Befestigen Sie die Stützrohre und den Griff

#### Abbildung 1 2

1. Lassen Sie die Stützen (1,A) in die Einschiebe gleiten. Richten Sie sie aus und befestigen Sie sie mit Schrauben (1,B). Achten Sie während des Verschraubens darauf, dass sie nicht verrutschen.
2. Setzen Sie den Griff (2,A) auf die Halterung und richten Sie die Löcher aus.
3. Schlossschrauben (2,B) in die Löcher von der Innenseite des Geräts her einsetzen, mit Kunststoffknäufen befestigen (2,C) und festziehen.

### Funktionen und Steuerung

**Abbildung 3**

<b>A</b>	Sprühpistole	<b>G</b>	Stromkabel mit PRCD
<b>B</b>	7-in-1-Düse	<b>H</b>	Identifikationsschild
<b>C</b>	Zubehörhalterung	<b>J</b>	Wassereinlass
<b>D</b>	Reinigungsmitteltank	<b>K</b>	Hochdruckanschluss
<b>E</b>	Hauptschalter ON/OFF	<b>L</b>	Düsenverlängerung
<b>F</b>	Hochdruckschlauch		

## Betrieb

### Schließen Sie den Schlauch am Wasseranschluss an **Figure 3 4 6**

**HINWEIS** NUR kaltes Wasser verwenden (unter 38° C).

1. Schrauben Sie den Hochdruckschlauch (3,F) in die Spritzpistole (3,A).
2. Befestigen Sie den blauen Hochdruckschlauch (3,F) am Auslass (3,K) und ziehen Sie ihn fest.
3. Stellen Sie sicher, dass das Wasserzulaufsieb und die schwarze Gummidichtung in der Wasserzulaufkupplung montiert sind (4,A).
4. Befestigen Sie die Wasserzulaufkupplung (4,B) am Zulauf und ziehen Sie sie fest.

**HINWEIS** Die beste Leistung erreichen Sie, wenn Sie einen Wasseranschluss, der 5 GPM (18,9 l) leistet und 25-75 psi (1,72-5,17 bar) am der mit dem elektrischen Druckreiniger verbundenen Seite des Gartenschlauchs anschließen.

5. Spülen Sie den Gartenschlauch mit Wasser, um eventuelle Verschmutzungen zu entfernen.

**HINWEIS** Ein Rückflussverhinderer am Pumpeneinlass kann zu Schäden an der Pumpe führen. Es MÜSSEN mindestens 3 m (10 ft.) zwischen dem Einlass des Hochdruckreinigers und dem Rückflussverhinderer vorhanden sein.



**WARNUNG!** Wasser, das einen Rückflussverhinderer passiert hat, ist kein Trinkwasser.

6. Schließen Sie den Gartenschlauch an (4,C) (darf nicht länger als 15 m (50 ft.) sein) den Wassereinlass (4,B) an und ziehen Sie ihn fest.
7. Drehen Sie den Wasserhahn auf, zielen Sie mit der Pistole auf einen sicheren Bereich und drücken Sie die Sperrtaste an der Pistole (5,A), danach drücken Sie den Abzug, damit die Luft aus dem System entweichen kann.
8. Befestigen Sie die Düsenverlängerung (3,L) an der Sprühpistole (3,A). Ziehen Sie sie mit der Hand fest.
9. Ziehen Sie die Manschette der Düsenverlängerung zurück (7,A), setzen Sie die 7-in-1-Düse ein (7,B) und lassen Sie die Manschette los. Ziehen Sie an der Sprühdüse, um ihren festen Sitz zu prüfen. Siehe 7-in-1-Düse.

### Einschalten des Druckreinigers

**Abbildung 3 8 9**

**WARNUNG!** Der Sprühstrahl kann zurück spritzen oder Gegenstände antreiben und zu schweren Verletzungen führen. Tragen Sie beim Betrieb oder in der Nähe dieses Geräts eine immer indirekte belüftete (chemikalienbeständige) Schutzbrille, die ANSI Z87.1 entspricht.

1. Stellen Sie den Hauptschalter (ON/OFF) (3,E) auf OFF (0).



**WARNUNG!** Risiko eines elektrischen Schlags. Kontakt mit der Stromquelle kann Stromschlag oder Verbrennungen verursachen und zum Tod oder schweren Verletzungen führen. Der elektrische Hochdruckreiniger DARF NICHT mit Verlängerungskabeln betrieben werden. Ihre Haushaltskabel oder Verlängerungskabel sind möglicherweise nicht mit einer ortsunabhängigen Fehlerstrom-Schutzeinrichtung ausgestattet.

2. Schließen Sie das Netzkabel (3,G) an einen für 220 - 240 Volt AC und 10 Amp ausgelegten Stromkreis an, der gemäß allen lokalen Codes und Verordnungen installiert wurde. An diesen Stromkreis dürfen keine anderen Verbraucher angeschlossen sein.
3. Drücken Sie die Taste RESET (8,C). Die Leuchtanzeige sollte (8,B) eingeschaltet sein.

**HINWEIS** Der elektrische Druckreiniger arbeitet nur bei eingeschalteter Leuchtanzeige.

4. Drücken Sie die Taste **TEST (8,A)**. Die Leuchtanzeige (**8,B**) sollte ausgeschaltet sein.
5. Drücken Sie die Taste **RESET (8,C)**. Die Leuchtanzeige sollte (**8,B**) eingeschaltet sein.



**WARNUNG!** Risiko eines elektrischen Schlags. Wenn die PRCD nicht arbeitet, kann es zu Verletzungen oder zum Tod kommen. Wenn die Leuchtanzeige nach Test und Reset nicht eingeschaltet bleibt, verwenden Sie die PRCD nicht.

6. Stellen Sie den Hauptschalter (ON/OFF) auf ON (I).
7. Halten Sie die Sprühpistole in eine sichere Richtung, drücken Sie die Sperrtaste des Abzugs und ziehen Sie den Abzug.

Der Motor springt an und stoppt, sobald der Abzug der Sprühpistole gezogen oder freigegeben wird.

### 7-in-1-Düse Abbildung 11

Die 7-in-1-Düse ermöglicht es Ihnen, zwischen sieben verschiedenen Sprühdüsen hin- und herzuschalten. Geben Sie den Abzug der Sprühpistole frei, damit die Sicherheitssperre greifen kann, bevor Sie das Sprühverhalten ändern.

1. Wählen Sie das gewünschte Sprühverhalten.
  - Wählen Sie die Maximum 0° (**A**) Düseneinstellung für hartnäckige oder schwer erreichbare Oberflächen wie Oberflächen im ersten Stock, Farbrückstände, Ölflecken, zur Rostentfernung oder andere schwierige Substanzen (Teer, Gummi, Schmiere, Wachs usw.).
  - Wählen Sie die allgemeine 15°-Düse (**B**) für schwierigere Reinigungen. Ideal zur Schmiermittel- und Schmutzentfernung von harten Oberflächen. Auch zur Farbablösung geeignet, wenn im 45-Grad-Winkel angewandt.
  - Wählen Sie die Sanfte 40° (**C**) Düseneinstellung zur sanften Reinigung von PW/LW, Booten, Wohnmobilen, Balkon- und Gartenmöbeln usw.
  - Wählen Sie die Fächer (**D**) Sprühdüseneinstellung zur optimalen Spülung mit hohem Durchfluss gegen einfachen Schmutz und Verunreinigungen.
  - Wählen Sie die Fächer mit Seife (**F**) Sprühdüseneinstellung zur schonenden Oberflächenreinigung von PW, LW, Kinderspielzeug, Balkonmöbeln usw.
  - Wählen Sie die große Reichweiten (**G**) Düseneinstellung zur schnellen Reinigung mit hohem Durchfluss und großer Reichweite für Fassade und Fenster bis in den ersten Stock.
  - Wählen Sie Große Reichweite mit Seifendüse (**H**) für Fassade und Fenster bis in den ersten Stock.
2. Drehen Sie die Wählscheibe, bis der Pfeil der 7-in-1-Düse auf das gewünschte Sprühverhalten zeigt.

### Bedienungshinweise

- Die beste Reinigung erzielen Sie mit einem Abstand von 20 bis 61 cm (8 bis 24 Zoll.) von der zu reinigenden Oberfläche.
- Wenn Sie die Sprühdüse zu dicht an die Oberfläche halten, insbesondere, wenn Sie eine Hochdrucksprühdüse verwenden, können Sie die Oberfläche beschädigen.
- **VERRINGERN SIE DEN ABSTAND NICHT** auf unter 15 cm (6 Zoll), wenn Sie Reifen reinigen.

### Einsatz von Reinigungsmitteln Abbildung 3



**WARNUNG!** Chemikalien können zum Tod oder zu schweren Verletzungen führende Verbrennungen verursachen. Verwenden Sie **KEINE** ätzenden Flüssigkeiten für den Hochdruckreiniger. Verwenden Sie **NUR** für den Hochdruckreiniger geeignete Reinigungsmittel/Seifen. Befolgen Sie die Anweisungen des Herstellers.

### Befolgen Sie die folgenden Schritte zur Verwendung von Reinigungsmitteln:

1. Entfernen Sie den Deckel des Reinigungsmittelbehälters (**D**) und füllen Sie das Reinigungsmittel ein. Setzen Sie den Deckel wieder auf.
2. Stellen Sie sicher, dass ein Seifensprühmodus an der 7-in-1-Düse eingestellt ist.

**HINWEIS** Sie dürfen keine Reinigungsmittel zusammen mit Hochdruckdüsen verwenden (Maximum, allgemein, sanft, fächersprühen oder große Reichweite).

3. Bringen Sie das Reinigungsmittel auf die trockene Oberfläche auf, beginnen Sie mit der Reinigung am unteren Ende der zu reinigenden Fläche und bewegen Sie die Düse mit langen, überlappenden, gleichmäßigen Strichen nach oben.
4. Lassen Sie das Reinigungsmittel nach den Angaben des Herstellers einwirken, bevor Sie mit der Reinigung und Spülung beginnen.

### Spülung des Hochdruckreinigers

1. Wählen Sie die gewünschte Hochdruckdüse aus.



**WARNUNG!** Der Rückschlag der Spritzpistole kann Stürze verursachen, die zum Tod oder schweren Verletzungen führen können. Bedienen Sie den Hochdruckreiniger auf stabilem Untergrund. Wenn Sie den Hochdruckreiniger auf einer Leiter, einem Gerüst oder an einem ähnlichen Ort verwenden wollen, gehen Sie besonders vorsichtig vor. Beim Hochdruckspritzen halten Sie die Spritzpistole mit beiden Händen fest und vermeiden Sie so Rückschläge der Spritzpistole.

2. Besprühen Sie einen kleinen Bereich mit Hochdruck und prüfen Sie die Oberfläche auf Schäden. Wenn keine Schäden aufgetreten sind, fahren Sie fort.
3. Beginnen Sie am oberen Ende der zu reinigenden Fläche und bewegen Sie sich mit denselben, überlappenden Streichbewegungen wie beim Reinigen nach unten.

### Hochdruckreiniger ausschalten Abbildung 3

1. Geben Sie den Abzug der Sprühpistole frei.
2. Stellen Sie den Hauptschalter (ON/OFF) (**E**) auf OFF (0).

**HINWEIS** Der Motor schaltet sich ab, sobald der Abzug freigegeben wird, die Stromzufuhr zum Gerät wird jedoch nicht unterbrochen.

3. Wasserzufuhr abstellen.
4. Halten Sie die Sprühpistole **IMMER** in eine sichere Richtung, drücken Sie die Sperrtaste und ziehen Sie den Abzug, damit die Luft im Gerät entweichen kann.



**WARNUNG!** Der von diesem Gerät erzeugte Hochdruckstrahl kann die Haut und die darunterliegenden Gewebe durchtrennen und zu schweren Verletzungen und möglicherweise Amputationen führen. Während der Druckbeaufschlagung muss der Hochdruckschlauch mit der Pumpe und der Spritzpistole verbunden sein. Lassen Sie **KINDER** Nicht mit dem Hochdruckreiniger spielen oder arbeiten. Zeigen Sie bei jedem Abschalten des Geräts mit der Sprühpistole **IMMER** in eine sichere Richtung, drücken Sie den roten Knopf und betätigen Sie den Sprühpistolenauslöser, um den Wasserhochdruck abzulassen.

5. Ziehen Sie den PRCD-STECKER (G) aus der Steckdose und wickeln Sie das Kabel am unteren Haken des Zubehörträgers auf.
6. Wickeln Sie den Hochdruckschlauch am oberen Haken des Zubehörträgers auf.
7. Lagern Sie die rote Hochdruckdüse am Ende der Düsenverlängerung. Lagern Sie die Sprühpistole, die Düsenverlängerung und die 7-in-1-Düse auf dem Zubehörträger.

## Nach jeder Verwendung

Wasser darf nicht über einen längeren Zeitraum im Gerät verbleiben. Sedimente oder Mineralien können sich auf den Teilen der Pumpe ablagern und die Pumpe blockieren. Befolgen Sie diese Schritte nach jedem Gebrauch:

1. Betreiben Sie den Druckreiniger mit der Seifensprühdüse, bis der Behälter leer ist.
2. Geben Sie 0.5 Liter Wasser in den Behälter für Reinigungsmittel und betreiben Sie das Gerät mit der Seifensprühdüse. Spülen Sie es ein bis zwei Minuten.
3. Stellen Sie den Hauptschalter (ON/OFF) auf OFF (0). Ziehen Sie den Stecker aus der Steckdose.
4. Wasserzufuhr abstellen. Halten Sie die Sprühpistole in eine sichere Richtung, drücken Sie die Sperrtaste des Abzugs und ziehen Sie den Abzug.
5. Trennen Sie den Gartenschlauch von der Wasserzufuhr. Trennen Sie den Hochdruckschlauch von der Pistole und dem Hochdruckwasserausgang.
6. Lassen Sie das Wasser aus dem Schlauch und der Sprühpistole ablaufen und wischen Sie die Außenflächen ab.
7. Lassen Sie das Wasser aus der Pumpe ablaufen, drehen Sie sie dazu zwei Minuten auf die rechte Seite (Wasserzulauf zeigt nach unten). Drehen Sie das Gerät und legen Sie es weitere zwei Minuten so, dass der Hochdruckwasserausgang nach unten zeigt.
8. Wickeln Sie den Hochdruckschlauch am oberen Haken des Zubehörträgers auf.
9. Wickeln Sie das Stromkabel auf den unteren Haken am Zubehörträger auf. Lagern Sie die Sprühpistole, die Düsenverlängerung und die 7-in-1-Düse auf dem Zubehörträger.
10. Lagern Sie das Gerät an einem sauberen und trockenen Platz.
11. Wenn Sie das Gerät über mehr als 30 Tage lagern, lesen Sie den Abschnitt Lagerung.

## Wartung

### Allgemeine Empfehlungen

Regelmäßige Wartung verbessert die Leistung und verlängert die Lebensdauer des Hochdruckreinigers. Die Wartung wird von Ihrem Briggs & Stratton Vertragshändler oder der Vertragswerkstätte durchgeführt. Kinder dürfen den Hochdruckreiniger NICHT ohne Aufsicht reinigen oder bedienen.

Die Garantie des Hochdruckreinigers greift nicht für Gegenstände, die durch eine falsche Anwendung oder durch fahrlässiges Verhalten des Anwenders beschädigt wurden. Der Bediener muss den Hochdruckreiniger wie in diesem Handbuch beschrieben verwenden und wie im Abschnitt *Lagerung* angegeben lagern, um den vollen Garantieschutz zu erhalten.



**WARNUNG!** Die Sicherheit des Gerätes ist nur gewährleistet, wenn Sie Originalersatzteile des Herstellers oder vom Hersteller freigegebene Ersatzteile verwenden. Wenn Sie Fragen zum Ersatz einzelner Komponenten Ihres Hochdruckreinigers haben, besuchen Sie unsere Webseite **BRIGGSandSTRATTON.COM**. Wenn das Kabel beschädigt ist, wenden Sie sich an eine Briggs & Stratton Vertragswerkstatt (Service Center).

## Pflege der Düse

Reinigen Sie die Spritzdüse zur Beseitigung des durch eine verstopfte Sprühdüse verursachten zu hohen Pumpendrucks:

1. Stellen Sie den Hauptschalter (ON/OFF) auf OFF (0). Ziehen Sie den Stecker aus der Steckdose.
2. Entfernen Sie die 7-in-1-Düse von der Düsenverlängerung.
3. Verwenden Sie eine kleine Büroklammer zum Beseitigen der Verstopfung in der Spritzdüse.
4. Entfernen Sie die 7-in-1-Düse von der Düsenverlängerung.

## Pflege des O-Rings **Abbildung 10**

Die Verwendung von Schmiermitteln (Rohbenzin oder synthetische Schmiermittel) unterstützen die Dichtfunktion der O-Ringe. Schmieren Sie die O-Ringe bevor Sie den Hochdruckschlauch (A), Hochdruckschlauch (B), sprühpistole (C) und den Kunststoffstift (D).

Kaufen Sie ein O-Ring-Pflegeset. Sie erhalten es bei jedem autorisierten Briggs & Stratton Service-Händler. Ersetzen Sie undichte Verbindungen NICHT durch irgendein Dichtmittel. Ersetzen Sie den O-Ring oder das Siegel.

## Austausch PRCD-Sicherung **Abbildung 11**



**ACHTUNG!** Zur Minderung des Brandrisikos ersetzen Sie sie nur durch eine Sicherung BS 1362 mit 13 Ampere Nennstrom.

Wenn die Sicherung im PRCD vorhanden ist:

1. Die Sicherung befindet sich an der Pin-Seite des PRCD-Steckers.
2. Mit einem Senkkopfschraubenzieher entfernen sie die abdeckung (A) und die sicherungsbaugruppe. Entfernen sie die sicherung (B) aus der Abdeckung. Ersetzen sie sie durch eine sicherung BS 1362 mit 13 Ampere Nennstrom.
3. Setzen sie die abdeckung und die sicherungsbaugruppe wieder ein.

## Lagerung

Befolgen Sie die Schritte 1-10 in *nach jedem Gebrauch*.

**HINWEIS** In der Pumpe verbliebenes Wasser kann einfrieren und die Pumpe dauerhaft beschädigen. Frostschäden fallen nicht unter die Garantie.

## Pumpenschutz

Zum Schutz der Pumpe vor Schäden durch mineralische Ablagerungen oder Einfrieren, verwenden Sie PumpSaver und schmieren Sie die Kolben und Dichtungen.

**HINWEIS** Fehlender Frostschutz führt zu Schäden an der Pumpe und zur Unbrauchbarkeit des Geräts. Frostschäden fallen nicht unter die Garantie.

## Abschließende Tipps zur Lagerung

1. Wickeln Sie den Hochdruckschlauch am oberen Haken des Zubehörträgers auf.
2. Wickeln Sie das Stromkabel auf den unteren Haken am Zubehörträger auf.
3. Lagern Sie die Sprühpistole, die Düsenverlängerung und die 7-in-1-Düse auf dem Zubehörträger.
4. Decken Sie das Gerät mit einer Schutzplane, die keine Feuchtigkeit zurückhalten kann, ab und lagern Sie es an einem sauberen, trockenen, warmen Platz.

## Fehlersuche und -behebung

Problem	Ursache	Behebung
<b>Die Pumpe hat die folgenden Probleme: es baut sich kein Druck auf, schwankender Druck, Klappern, Druckverlust, niedriger Wasserstand.</b>	<ol style="list-style-type: none"> <li>1. Wassereinlass ist blockiert.</li> <li>2. Unzureichender Wasserzufluss.</li> <li>3. Gartenschlauch ist geknickt oder undicht.</li> <li>4. Wassereinlasssieb ist verstopft.</li> <li>5. Spritzdüse ist verstopft.</li> </ol>	<ol style="list-style-type: none"> <li>1. Einlass säubern.</li> <li>2. Sorgen Sie für ausreichende Wasserzufuhr.</li> <li>3. Glätten Sie den Gartenschlauch oder ersetzen Sie ihn, wenn er undicht ist.</li> <li>4. Reinigen oder ersetzen Sie das Wassereinlasssieb.</li> <li>5. Spritzdüse reinigen.</li> </ol>
<b>Das Gerät arbeitet nicht, obwohl der Abzug der Sprühpistole gedrückt wird.</b>	<ol style="list-style-type: none"> <li>1. Die Wasserzufuhr ist nicht offen.</li> <li>2. Gerät ist nicht eingeschaltet.</li> <li>3. Gartenschlauch ist zu lang.</li> <li>4. Sicherung defekt oder Schutzschalter ausgelöst.</li> </ol>	<ol style="list-style-type: none"> <li>1. Stellen Sie die Wasserzufuhr an.</li> <li>2. Stellen Sie den Hauptschalter (ON/OFF) auf ON (I). Setzen Sie die PRCD zurück.</li> <li>3. Verwenden Sie nur maximal 15,24 m (50 Fuß) lange Gartenschläuche.</li> <li>4. a.) Ersetzen Sie die Sicherung oder setzen Sie den Schutzschalter zurück.</li> <li>5. b.) Schalten Sie alle an den Stromkreis angeschlossenen Geräte und Leuchten aus oder nutzen Sie einen separaten Stromkreis. c.) 5 Minuten mit Turbosprühspitze betreiben.</li> </ol>
<b>Reinigungsmittel vermischt sich nicht mit Sprühnebel.</b>	<ol style="list-style-type: none"> <li>1. Hochdruckdüse ist montiert.</li> <li>2. Wasserzulaufdruck zu hoch.</li> </ol>	<ol style="list-style-type: none"> <li>1. Montieren Sie die Sprühspitze der Düse.</li> <li>2. Schließen Sie das Wasserzulaufventil langsam, bis die Chemikalie angesaugt wird.</li> </ol>
<b>Schlauchverbindungen undicht.</b>	<ol style="list-style-type: none"> <li>1. Gartenschlauch lose an Wasserzulauf.</li> <li>2. Hochdruckschlauchanschluss lose.</li> <li>3. O-Ring beschädigt.¶</li> </ol>	<ol style="list-style-type: none"> <li>1. Gartenschlauch mit der Hand festziehen.</li> <li>2. Schlauch entfernen und erneut anschließen.</li> <li>3. O-Ring ersetzen.</li> </ol>

Alle sonstigen Probleme behebt Ihr autorisierter Briggs & Stratton Service-Händler.

Technische Daten		
Zulässiger Druck	MPa/BAR/PSI	16.0/160/2,320*
Max. Durchfluss	LPM/GPM	15.0/4.0*
Nenndruck und Durchfluss	MPa/BAR/PSI @ LPM/GPM	12/120/1,740 @ 5.5/1.45
Temperatur Wasserzulauf	°C/°F	38/100
Nennspannung	V	220 – 240
Nennfrequenz	Hz	50/60
Stromverbrauch	W	2,500
Strom	A	9,0
Schutzklasse	Klasse	Klasse II
Schutzgrad	IP xx	IPX5
Hand-/Armvibration $a_{hd}$ Unsicherheit K	$m/s^2$ $m/s^2$	$\leq 2,5^*$ $0,2^*$
Schalleistungspegel $L_{pA}$ Unsicherheit $K_{pA}$	$dB(A)$ $dB(A)$	$74^*$ $2^*$
Schalleistungspegel $L_{WA}$	$dB(A)$	$94^*$
Garantierter Schalleistungspegel $L_{WAd}$	$dB(A)$	$96^*$

\* Gemäß EN 60335-2-79: 2012.

# EG-Konformitätserklärung

## Lavorwash spa

Via J.F.Kennedy, 12 – 46020 Pegognaga (MN) – Italien

Diese Konformitätserklärung wird unter der alleinigen Verantwortung des Herstellers ausgestellt. Hiermit wird bestätigt, dass die in diesem Dokument genannten Produkte den maßgeblichen Harmonisierungsgesetzen entsprechen und die CE-Kennzeichnung tragen können. Diese Modelle entsprechend den folgenden Richtlinien und zugehörigen Normen:



**Produkt:** Hochdruckreiniger

**Modell - Typ:** BPW1800PX

### EU-Richtlinien

2006/42/EC (+2009/127/EC)

2006/95/EC

2004/108/EC

2000/14/EC (+2005/88/EC)

2011/65/EU (+2015/863/EU)

2014/35/EU ≥ 2016-04-20

2014/30/EU ≥ 2016-04-20

### Normen

EN 60335-1:2012

EN 60335-2-79:2012

EN 62233:2008

EN 55014-1:2006+A1:2009+A2:2011

EN 55014-2:1997+A1:2001+A2:2008

EN 61000-3-2:2006+A1:2009+A2:2009

EN 61000-3-3:2013

EN 50581:2012

### Schalleistungspegel

Gemessen dB(A): **94**

Garantiert dB(A): **96**

2000/14/EC: Das Gerät wurde gemäß Nr. 27 Anhang I Konformitätsbeurteilungsverfahren gemäß Anhang V definiert.

Die technische Datei ist bei Lavorwash spa, via J.F.Kennedy, 12 - 46020 Pegognaga (MN) – Italien gespeichert.

Lavorwash S.p.A

via J.F.Kennedy, 12

46020 Pegognaga

(MN) - Italy Pegognaga, 15. Oktober 2015

Giancarlo Lanfredi

Geschäftsführer

**BESCHRÄNKTE GARANTIE**

Briggs & Stratton garantiert, dass während des unten angegebenen Garantiezeitraums jegliche Teile mit Werkstoff- oder Fertigungsmängeln oder beiden Mängeln kostenlos repariert oder ersetzt werden. Die Transportkosten für das zur Reparatur oder zum Austausch eingesandte Produkt unter dieser Garantie müssen vom Käufer getragen werden. Diese Garantie ist für die Zeiträume und unter den unten genannten Bedingungen wirksam. Für Garantieleistungen finden Sie mit Hilfe unserer Händlersuchkarte unter [www.BRIGGSandSTRATTON.com](http://www.BRIGGSandSTRATTON.com) den nächstgelegenen Vertragshändler. Der Käufer muss den Vertragshändler kontaktieren und diesem das Produkt für die Inspektion und Tests zur Verfügung stellen.

**Es besteht keine andere ausdrückliche Garantie. Implizierte Garantien, einschließlich der der allgemeinen Gebrauchstauglichkeit oder Eignung für einen bestimmten Zweck, sind auf ein Jahr ab dem Kaufdatum oder auf den gesetzlich zugelassenen Umfang beschränkt. Die Haftung für Neben- oder Folgeschäden ist im gesetzlich zulässigen Umfang ausgeschlossen.** In einigen Staaten ist die Dauer der implizierten Garantie bzw. die Beschränkung von Folge- oder Begleitschäden nicht zulässig, daher könnte die oben genannte Beschränkung oder Ausnahme eventuell nicht auf Sie zutreffen. Durch diese Garantie erhalten Sie spezielle Rechte, und von einem Staat zum anderen können Sie außerdem andere, von Land zu Land variierende Rechte haben.\*\*

**GARANTIEZEITRAUM****Verbraucheranwendung    Gewerblicher Einsatz**

12 Monate

Keine

\*\* In Australien - Unsere Waren werden mit Garantien ausgeliefert, die nicht vom australischen Verbrauchergesetz ausgeschlossen werden können. Bei erheblichen Fehlern haben Sie Anspruch auf Ersatz oder Erstattung sowie auf Schadensersatz bei weiteren angemessenen vorhersehbaren Verlusten oder Schäden. Darüber hinaus haben Sie Anspruch auf Reparatur oder Ersatz der Waren, falls diese nicht die zu erwartende Qualität aufweisen und der Defekt keinen erheblichen Fehler darstellt. Bei Garantiefragen wenden Sie sich bitte an einen Vertragshändler in Ihrer Nähe; eine Übersichtskarte finden Sie unter [BRIGGSandSTRATTON.COM](http://BRIGGSandSTRATTON.COM), oder rufen Sie uns an unter 1300 274 447, bzw. kontaktieren Sie uns per E-Mail oder schriftlich unter [salesenquires@briggsandstratton.com.au](mailto:salesenquires@briggsandstratton.com.au), Briggs & Stratton Australia Pty Ltd, 1 Moorebank Avenue, NSW, Australien, 2170.

Der Garantiezeitraum beginnt ab Kaufdatum des ersten Einzelhandels- oder kommerziellen Kunden. „Private Verwendung“ bedeutet Benutzung in einem Haushalt durch einen Einzelhandelskunden. „Gewerbliche Verwendung“ bedeutet alle anderen Verwendungszwecke, einschließlich für gewerbliche Zwecke, Zwecke zum Erzielen eines Einkommens oder für Maschinenverleih. Wenn das Produkt einmal kommerziell genutzt wurde, wird es danach für die Zwecke dieser Garantie als kommerziell genutztes Produkt betrachtet.

Um eine umgehende und vollständige Garantieabdeckung zu gewährleisten, registrieren Sie Ihr Produkt auf der oben dargestellten Website Toder unter [www.onlineproductregistration.com](http://www.onlineproductregistration.com) oder senden Sie uns die ausgefüllte Registrierungskarte (falls vorliegend) zu oder rufen Sie uns an unter 1-800-743-4115 (in den USA). Bewahren Sie einfach Ihren Kaufbeleg auf. Wenn Sie bei einer erforderlichen Garantieleistung keinen Kaufbeleg vorlegen, aus dem das Kaufdatum hervorgeht, wird das Herstellungsdatum des Produkts zur Festlegung des Garantiezeitraums herangezogen. Eine Produktregistrierung ist nicht erforderlich, um eine Garantieleistung für Briggs & Stratton Produkte zu erhalten.

**ZUR GARANTIE**

Garantieleistungen werden ausschließlich von Briggs & Stratton-Vertragshändlern erbracht. Die meisten Garantiereparaturen werden routinemäßig gehandhabt, manchmal sind jedoch Anträge auf Reparaturen im Rahmen der Garantie unangemessen. Diese Garantie erstreckt sich ausschließlich auf Material- und Verarbeitungsmängel. Sie deckt keine durch unsachgemäße Verwendung oder Missbrauch des Gerätes, unsachgemäße Wartung oder Reparatur, normale Abnutzung und Verschleiß oder alten oder nicht zugelassenen Kraftstoff entstandenen Schäden ab.

**Unsachgemäße Verwendung und Missbrauch** – Der ordnungsgemäße beabsichtigte Verwendungszweck dieses Produktes ist im Bedienungshandbuch beschrieben. Die Verwendung des Produkts auf eine Weise, die in der Bedienungsanleitung nicht beschrieben ist, oder die Verwendung des Produkts nach Beschädigung macht diese Garantie ungültig. Eine Garantieleistung ist ausgeschlossen, wenn die Seriennummer des Produkts entfernt oder das Produkt auf irgendeine Weise verändert oder modifiziert wurde oder wenn das Produkt nachweislich unsachgemäß verwendet wurde, z. B. Schäden durch äußere Einwirkung oder Korrosionsschäden durch Wasser bzw. Chemikalien aufweist.

**Unsachgemäße Wartung oder Reparatur** – Dieses Produkt muss gemäß den in der Bedienungsanleitung angegebenen Verfahren und Terminen gewartet und unter Verwendung von Originalersatzteilen von Briggs & Stratton bzw. gleichwertigen Teilen gewartet oder repariert werden. Durch fehlende Wartung oder die Verwendung von Nicht-Original-Ersatzteilen verursachte Schäden sind von der Garantie nicht gedeckt.

**Normale Abnutzung** – Wie alle mechanischen Geräte unterliegt diese Maschine der normalen Abnutzung, selbst wenn sie ordnungsgemäß gewartet wird. Diese Garantie deckt keine Reparaturen ab, wenn Teile oder das gesamte Gerät durch den normalen Gebrauch verschlissen sind. Wartungs- und Verschleißteile, wie Filter, Riemen, Messer und Bremsbeläge (einschließlich Motorbremsbeläge), sind allein auf Grund ihrer Verschleißigenschaften nicht durch die Garantie abgedeckt, es sei denn, die Schadensursache ist auf Material- oder Verarbeitungsmängel zurückzuführen.

**Alte oder unzulässige Kraftstoffe** – Zur korrekten Funktionsweise benötigt dieses Produkt frischen Kraftstoff, der den Spezifikationen in der Bedienungsanleitung entspricht. Motor- oder Geräteschäden aufgrund von altem Kraftstoff oder der Verwendung von nicht zugelassenem Kraftstoff (z. B. E15 oder E85 Ethanolmischungen) sind nicht durch Garantie abgedeckt.

**Andere Ausschlüsse** – Diese Garantie schließt Schäden durch Unfälle, Missbrauch, Modifizierungen, Veränderungen, unvorschriftsmäßige Wartung, Gefrieren oder chemische Zustandsverschlechterung aus. Anbaugeräte oder Zubehör, die nicht Teil der Originalverpackung des Produkts waren, sind von der Gewährleistung ausgenommen. Die Gewährleistung gilt nicht für Geräte, die als Hauptenergieversorgung anstatt als Hilfsenergieversorgung verwendet werden bzw. für Geräte, die in lebenserhaltenden Anwendungen eingesetzt werden. Diese Garantie deckt keine gebrauchten, überarbeiteten, aus zweiter Hand stammenden oder Ausstellungsgeräte oder -motoren ab. Diese Garantie schließt Schäden aus, die auf höhere Gewalt zurückzuführen sind und sich der Kontrolle durch den Hersteller entziehen.

80011059\_EN Rev -

## Πίνακας περιεχομένων

Σύμβολα ασφαλείας και ελέγχου	4
Περιγραφή Εξοπλισμού	4
Συναρμολόγηση	5
Δυνατότητες και χειριστήρια	5
Λειτουργία	5
Συντήρηση	7
Αποθήκευση	7
Αντιμέτωπη προβλημάτων	8
Προδιαγραφές	8
Εγγύηση	10

## Σύμβολα ασφαλείας και ελέγχου

Ένα σύμβολο ασφαλείας μπορεί να χρησιμοποιηθεί για να υποδηλώσει το είδος του κινδύνου. Η λέξη **ΠΡΟΕΙΔΟΠΟΙΗΣΗ** υποδεικνύει κίνδυνο που, αν δεν αποσοβηθεί, *ενδέχεται* να επιφέρει θάναση ή σοβαρό τραυματισμό. Η λέξη **ΕΠΙΣΗΜΑΝΣΗ** υποδεικνύει πρακτικές που δεν έχουν σχέση με κίνδυνο τραυματισμού.



Διαβάστε το εγχειρίδιο



Έγχυση υγρού



Πυρκαγιά



Σύμβολο προειδοποίησης ασφαλείας



Ιπτάμενα αντικείμενα



Χημικό έγκαιμα



Μη πόσιμο νερό



Ηλεκτροπληξία



Ενεργοποίηση



Απενεργοποίηση



Πτώση



Ποτέ μην στρέψετε το πιστόλι ψεκασμού προς τα επάνω σας, προς άλλους ή προς ζώα. Ποτέ μην ψεκάσετε κοντά σε ηλεκτρική πηγή ή επάνω στην ίδια τη μονάδα.

Το εν λόγω μηχάνημα δεν προορίζεται για χρήση από άτομα (συμπεριλαμβανομένων των παιδιών) με μειωμένες σωματικές, αισθητηριακές ή διανοητικές ικανότητες ή έλλειψη εμπειρίας και γνώσης εκτός αν επιτηρούνται και τους έχουν δοθεί οδηγίες όσον αφορά την ασφαλή λειτουργία του και την κατανόηση των κινδύνων που ενέχει.

### ΠΡΟΕΙΔΟΠΟΙΗΣΗ

- Το συγκεκριμένο μηχάνημα έχει σχεδιαστεί για χρήση με το καθαριστικό που παρέχει ή συνιστά ο κατασκευαστής. Η χρήση άλλων καθαριστικών ή χημικών υπάρχει κίνδυνος να επιφέρει δυσμενείς επιπτώσεις στην ασφαλή λειτουργία του μηχανήματος.

- Η δυνατότητα εκτόξευσης νερού με υψηλή πίεση ενέχει κινδύνους αν δεν χρησιμοποιηθεί σωστά. Δεν πρέπει να εκτοξεύετε νερό σε ανθρώπους, σε ηλεκτρικό εξοπλισμό την ώρα που λειτουργεί ή στο ίδιο το μηχάνημα.
- Μη χρησιμοποιείτε το μηχάνημα κοντά σε άλλα άτομα εκτός αν φορούν προστατευτικά ρούχα.
- Μην εκτοξεύετε νερό προς εσάς ή άλλα άτομα για να καθαρίσετε τα ρούχα ή τα παπούτσια σας.
- Κίνδυνος έκρηξης – Μην ψεκάσετε εύφλεκτα υγρά.
- Τα μηχανήματα καθαρισμού υψηλής πίεσης δεν πρέπει να χρησιμοποιούνται από παιδιά ή από μη καταρτισμένο προσωπικό.
- Οι εύκαμπτοι σωλήνες υψηλής πίεσης, οι διατάξεις τους και οι σύνδεσμοί τους παίζουν σημαντικό ρόλο όσον αφορά την ασφαλή λειτουργία του μηχανήματος. Χρησιμοποιήστε μόνο τους εύκαμπτους σωλήνες, τις διατάξεις τους και τους συνδέσμους τους που συνιστά ο κατασκευαστής.
- Για να διαφυλαχθεί η ασφαλή λειτουργία του μηχανήματος, πρέπει να χρησιμοποιείτε μόνο γνήσια ανταλλακτικά του κατασκευαστή ή αντίστοιχά τους που είναι εγκεκριμένα από τον κατασκευαστή.
- Το νερό που έχει περάσει μέσα από βαλβίδες αντεπιστροφής θεωρείται μη πόσιμο.
- Πρέπει να αποσυνδέετε το φις από την πρίζα για να διακοπεί η παροχή ηλεκτρικού ρεύματος όση ώρα εκτελείτε εργασίες καθαρισμού ή συντήρησης και όταν αντικαθιστάτε εξαρτήματα.
- Μη χρησιμοποιήσετε το μηχάνημα αν εντοπίσετε ζημιά στο καλώδιο ή σε σημαντικά εξαρτήματά του, π.χ. στις διατάξεις ασφαλείας, στους εύκαμπτους σωλήνες υψηλής πίεσης ή στο πιστόλι με τη σκανδάλη ψεκασμού.
- Μη χρησιμοποιήσετε καλώδιο επέκτασης με το συγκεκριμένο ηλεκτρικό μηχάνημα καθαρισμού υψηλής πίεσης.
- Όποτε χρειάζεται να απομακρυνθείτε από το μηχάνημα, πρέπει πάντα να κλείνετε τον κύριο διακόπτη.

## Περιγραφή εξοπλισμού



Διαβάστε προσεκτικά αυτό το εγχειρίδιο και εξοικειωθείτε με το μηχάνημα καθαρισμού υψηλής πίεσης. Εξοικειωθείτε με τις εφαρμογές του και τους περιορισμούς του και με κάθε ενεχόμενο κίνδυνο. Φυλάξτε αυτές τις πρωτότυπες οδηγίες για μελλοντική αναφορά.

Το συγκεκριμένο μηχάνημα καθαρισμού υψηλής πίεσης λειτουργεί με μέγιστη πίεση 12,0 MPa (120 BAR ή 1.740 PSI (λίβρες ανά τετραγωνική ίντσα)) και ρυθμό ροής έως και 15,00 LPM (λίτρα ανά λεπτό) (4,0 GPM (γαλόνια ανά λεπτό)).

Έχει καταβληθεί κάθε δυνατή προσπάθεια για να διασφαλιστεί ότι οι πληροφορίες που παρατίθενται στο παρόν εγχειρίδιο είναι ορθές και επίκαιρες. Ωστόσο, διατηρούμε το δικαίωμα να αλλάξουμε, να τροποποιήσουμε ή να βελτιώσουμε με οιοδήποτε άλλο τρόπο το προϊόν και το παρόν έγγραφο ανά πάσα στιγμή χωρίς να προηγηθεί σχετική ειδοποίηση.

**ΕΠΙΣΗΜΑΝΣΗ** Αν έχετε απορίες για την προβλεπόμενη χρήση, ρωτήστε τον αντιπρόσωπο ή επικοινωνήστε με εξουσιοδοτημένο κέντρο επισκευών. ΠΟΤΕ μη θέσετε σε λειτουργία μονάδες με σπασμένα ή ελλειπή εξαρτήματα ή χωρίς προστατευτικό περίβλημα ή καλύμματα. ΜΗΝ παρακάμψετε οιαδήποτε διάταξη ασφαλείας στο μηχάνημα. ΜΗΝ τροποποιήσετε το μηχάνημα καθαρισμού υψηλής πίεσης με οιοδήποτε τρόπο. Ο συγκεκριμένος εξοπλισμός έχει σχεδιαστεί για να χρησιμοποιείται **ΜΟΝΟ** με εγκεκριμένα εξαρτήματα ηλεκτροκίνητων προϊόντων της Briggs & Stratton.

## Τεχνολογία POWERflow+™

Η τεχνολογία Powerflow+ της Briggs & Stratton είναι ένα σύστημα εξαρτημάτων που συνεργάζονται για να παρέχουν δυνατότητα υψηλής ροής. Η ισχύς της τεχνολογίας Powerflow+ βρίσκεται στην αντλία με δύο χωριστές λειτουργίες καθαρισμού: υψηλή πίεση και υψηλή ροή που βελτιώνει τον καθαρισμό δίνοντάς σας τη δυνατότητα προσέγγισης ακόμη και τα πιο μακρινών σημείων, δυναμικοί σαπινομάτος και ταχύτερο ξεπιλύματος.

### Φορητή διάταξη προστασίας από το παραμένον ρεύμα

Το συγκεκριμένο μηχάνημα καθαρισμού υψηλής πίεσης διαθέτει φορητή διάταξη προστασίας από το παραμένον ρεύμα (portable residual current device (PRCD)) που είναι ενσωματωμένη στο φινις του καλωδίου του τροφοδοτικού. Η διάταξη αυτή παρέχει πρόσθετη προστασία έναντι του κινδύνου ηλεκτροπληξίας. Η PRCD παρέχει προστασία 10 mA.

### Αυτόματη διακοπή λειτουργίας

Ένας αισθητήρας θα διακόψει τη λειτουργία του κινητήρα όταν αποδεσμευτεί ή κλειδωθεί η σκανδάλη του πιστολιού ψεκασμού. Αν ο κινητήρας συνεχίσει να λειτουργεί ενώ είναι αποδεσμευμένη ή κλειδωμένη η σκανδάλη του πιστολιού ψεκασμού, ΜΗ ΧΡΗΣΙΜΟΠΟΙΗΣΕΤΕ ΤΟ ΜΗΧΑΝΗΜΑ. Αποταθείτε σε εξουσιοδοτημένο συνεργείο συντήρησης της Briggs & Stratton.

**ΕΠΙΣΗΜΑΝΣΗ** Όταν δεν χρησιμοποιείτε το μηχάνημα καθαρισμού υψηλής πίεσης, ο διακόπτης ενεργοποίησης/απενεργοποίησης πρέπει να είναι πάντα στη θέση απενεργοποίησης (0).

### Υπερφόρτωση κινητήρα

Μια διάταξη προστασίας από υπερφόρτωση διακόπτει αυτόματα τη λειτουργία του κινητήρα αν υπερθερμανθεί ή αν απορροφήσει περισσότερο ρεύμα απ' όσο χρειάζεται. Αν ενεργοποιηθεί η διάταξη αυτή, αποσυνδέστε τον εξοπλισμό από την πηγή ισχύος πιέζοντας τον κύριο διακόπτη ενεργοποίησης/απενεργοποίησης για να τον φέρετε στη θέση απενεργοποίησης (0). Αφήστε τη μονάδα να κρυώσει επί 30 λεπτά και πιέστε τον διακόπτη ενεργοποίησης/απενεργοποίησης για να τον φέρετε στη θέση ενεργοποίησης (I).

### Απόρριψη στην ΕΕ



Το σύμβολο αυτό υποδεικνύει ότι ο κάτοχος μπαταριών και ηλεκτρικού ή ηλεκτρονικού εξοπλισμού δεν πρέπει να απορρίψει το προϊόν αυτό σε κοινά αστικά απορρίμματα. Το προϊόν αυτό θα πρέπει να απορρίπτεται σε περιβαλλοντικά κατάλληλες τοποθεσίες απόρριψης. Επικοινωνήστε με την Briggs & Stratton ή την τοπική αντιπροσωπία για περισσότερες πληροφορίες σχετικά με την απόρριψη.

## Συναρμολόγηση

### Προσάρτηση σωλήνων και λαβής στήριξης

#### Εικόνα 1 2

- Περάστε συρτά τα στηρίγματα (1, A) μέσα στις υποδοχές. Ευθυγραμμίστε τα και προσαρτήστε τα χρησιμοποιώντας βίδες (1, B). Κρατήστε τα ευθυγραμμισμένα την ώρα που σφίγγετε τις βίδες.
- Τοποθετήστε τη λαβή (2, A) πάνω στα στηρίγματα και ευθυγραμμίστε τις οπές.
- Περάστε τους πύρους με τη σφαιρική κεφαλή (2, B) μέσα στις οπές από την εσωτερική πλευρά της μονάδας, προσαρτήστε τους χρησιμοποιώντας τις πλαστικές ασφάλειες (2, C) και σφίξτε τους.

### Δυνατότητες και χειριστήρια Εικόνα 3

A	Πιστόλι ψεκασμού	G	Καλώδιο παροχής ηλεκτρικής ισχύος με PRCD
B	Ακροφύσιο 7 εξαρτημάτων σε 1	H	Ετικέτα αναγνώρισης
C	Δίσκος για παρελκόμενα	J	Είσοδος παροχής νερού
D	Δοχείο απορρυπαντικού	K	Έξοδος υψηλής πίεσης
E	Κύριος διακόπτης ενεργοποίησης/απενεργοποίησης	L	Επέκταση ακροφυσίου
F	Εύκαμπτος σωλήνας υψηλής πίεσης		

## Λειτουργία

### Σύνδεση εύκαμπτου σωλήνα και παροχής νερού Εικόνα 3 4 6

**ΕΠΙΣΗΜΑΝΣΗ** Χρησιμοποιήστε MONO κρύο νερό (με θερμοκρασία κάτω από τους 38°C (100°F)).

- Βιδώστε το λάστιχο υψηλής πίεσης (3,F) στο πιστόλι (3,A).
- Προσαρτήστε τον μπλε λαστιχένιο σωλήνα υψηλής πίεσης (3, H) στην έξοδο (3,K) και σφίξτε τον.

- Επιβεβαιώστε ότι η σχάρα της εισόδου νερού και η μαύρη καουτσουκένια ροδέλα είναι εγκατεστημένες στον σύνδεσμο της εισόδου νερού (4,A).
- Προσαρτήστε στην είσοδο νερού τον σύνδεσμο της (4,B) και σφίξτε τον.

**ΕΠΙΣΗΜΑΝΣΗ** Για άριστες επιδόσεις συνδέστε το μηχάνημα MONO σε πηγή νερού που έχει τη δυνατότητα παροχής άνω των 5 GPM (18,9 l) και 25-75 psi (1,72-5,17 bar) στο άκρο του σωλήνα κήπου που βρίσκεται στο ηλεκτροκίνητο μηχάνημα καθαρισμού υψηλής πίεσης.

- Αφήστε να τρέξει νερό μέσα από το λάστιχο κήπου για να απομακρύνει κάθε κατάλοιπο.

**ΕΠΙΣΗΜΑΝΣΗ** Αν χρησιμοποιήσετε βαλβίδα αντεπιστροφής στην είσοδο της αντλίας, υπάρχει κίνδυνος να πάθει ζημιά η αντλία. Μεταξύ της εισόδου του μηχανήματος καθαρισμού υψηλής πίεσης και της βαλβίδας αντεπιστροφής πρέπει να υπάρχουν ανεμπόδιστα τουλάχιστον 3 μέτρα (10 πόδια) του λάστιχου κήπου.



**ΠΡΟΕΙΔΟΠΟΙΗΣΗ!** Το νερό που έχει περάσει μέσα από τη βαλβίδα αντεπιστροφής θεωρείται μη πόσιμο.

- Συνδέστε λάστιχο κήπου (4,C) (όχι μακρύτερο από 15 μέτρα (50 πόδια)) στην είσοδο της παροχής νερού (4,B) και σφίξτε το.
- ΑΝΟΙΕΤΕ την παροχή νερού, στρέψτε το πιστόλι σε ασφαλή κατεύθυνση, πιέστε το κουμπί κλειδώματος της σκανδάλης (5,A) και ύστερα πιέστε τη σκανδάλη για να εξαερωθεί το σύστημα.
- Προσαρτήστε την επέκταση του ακροφυσίου (6, A) στο πιστόλι ψεκασμού (3,A). Σφίξτε την με το χέρι.
- Τραβήξτε προς τα πίσω το κολάρο της επέκτασης του ακροφυσίου (7,A), τοποθετήστε το ακροφύσιο 7 εξαρτημάτων σε 1 (7,B) και αφήστε το κολάρο. Τραβήξτε δυνατά το ακροφύσιο για να διασφαλίσετε ότι έχει στερεωθεί καλά στη σωστή του θέση. Ανατρέξτε στην ενότητα *Ακροφύσιο 7 εξαρτημάτων σε 1*.

### Έναρξη λειτουργίας του μηχανήματος καθαρισμού υψηλής πίεσης Εικόνα 3 9



**ΠΡΟΕΙΔΟΠΟΙΗΣΗ!** Με τη δύναμη του νερού υπάρχει κίνδυνος να γυρίσει ανάποδα η κάννη ψεκασμού ή να μετακινηθούν αντικείμενα με αποτέλεσμα να προκληθεί σοβαρός τραυματισμός. Όταν χρησιμοποιείτε το μηχάνημα ή βρίσκεστε κοντά του, πρέπει να φοράτε πάντα έμμεσα αεριζόμενα γυαλιά ασφαλείας (για προστασία από πισπιλές χημικών) με σήμανση για τη συμμόρφωσή τους προς το πρότυπο ANSI Z87.1.

- Πιέστε τον κύριο διακόπτη ενεργοποίησης/απενεργοποίησης (3, E) για να τον φέρετε στη θέση απενεργοποίησης (0).



**ΠΡΟΕΙΔΟΠΟΙΗΣΗ!** Κίνδυνος ηλεκτροπληξίας. Αν χρησιμοποιήσετε καλώδιο επέκτασης, διατρέχετε κίνδυνο θανάσιμου ή σοβαρού τραυματισμού λόγω ηλεκτροπληξίας ή εγκαυμάτων. ΜΗ χρησιμοποιήσετε καλώδιο επέκτασης με το συγκεκριμένο ηλεκτροκίνητο μηχάνημα καθαρισμού υψηλής πίεσης. Η πρίζα ή το καλώδιο επέκτασης του οικιακού σας ηλεκτρικού κυκλώματος ενδέχεται να μη διαθέτει σωτήρια φορητή διάταξη προστασίας από το παραμένον ρεύμα.

- Συνδέστε το φινις του καλωδίου παροχής ηλεκτρικής ισχύος (3,G) σε αποκλειστικό ηλεκτρικό κύκλωμα διαβαθμισμένο για 220 - 240 V AC σε 10 A, το οποίο πρέπει να είναι εγκατεστημένο όπως επιβάλλεται με βάση όλους τους κώδικες και τους νόμους που ισχύουν στην περιοχή σας. Το κύκλωμα αυτό δεν πρέπει να εξυπηρετεί τις ανάγκες άλλων ηλεκτρικών συσκευών.
- Πιέστε το κουμπί RESET (8,C). Η ενδεικτική λυχνία (8,B) πρέπει να είναι ANAMMENNΗ.

**ΕΠΙΣΗΜΑΝΣΗ** Για να μπορεί να λειτουργήσει το μηχάνημα καθαρισμού υψηλής πίεσης, η ενδεικτική λυχνία πρέπει να μένει ANAMMENNΗ.

- Πιέστε το κουμπί TEST (8,A). Η ενδεικτική λυχνία (8,B) πρέπει να είναι ΣΒΗΣΤΗ.
- Πιέστε το κουμπί RESET (8,C). Η ενδεικτική λυχνία (8,B) πρέπει να είναι ANAMMENNΗ.



**ΠΡΟΕΙΔΟΠΟΙΗΣΗ!** Κίνδυνος ηλεκτροπληξίας. Αν η PRCD δεν λειτουργεί σωστά, υπάρχει κίνδυνος θανάσιμου ή σοβαρού τραυματισμού. Αν η ενδεικτική λυχνία δεν μείνει ANAMMENNΗ μετά τη δοκιμή και την επαναφορά, μη χρησιμοποιήσετε την PRCD.

6. Πιέστε τον κύριο διακόπτη ενεργοποίησης/απενεργοποίησης για να τον φέρετε στη θέση ενεργοποίησης (I).
7. Στρέψτε το πιστόλι σε ασφαλή κατεύθυνση, πιέστε το κουμπί κλειδώματος της σκανδάλης και πιέστε τη σκανδάλη. Κάθε φορά που πιέζετε και αφήνετε τη σκανδάλη του πιστολιού ψεκασμού θα αρχίζει και θα διακόπτεται η λειτουργία του κινητήρα.

## Ακροφύσιο 7 εξαρτημάτων σε 1 Εικόνα 12

Το ακροφύσιο 7 εξαρτημάτων σε 1 επιτρέπει την εναλλαγή επτά διαφορετικών μοτίβων ψεκασμού. Πρωτού αλλάξετε μοτίβο ψεκασμού πρέπει να αφήνετε τη σκανδάλη για να λειτουργήσει το κλειδί ασφαλείας.

1. Επιλογή του επιθυμητού μοτίβου ψεκασμού:
  - Επιλέξτε τη ρύθμιση του ακροφυσίου για μέγιστο ψεκασμό σε 0° (A) αν πρέπει να καθαρίσετε δύσκολες ή δυσπρόσιτες επιφάνειες, π.χ. επιφάνειες στον δεύτερο όροφο, ή αν πρέπει να αφαιρέσετε μπογιά, λεκέδες λαδιού, σκουριά ή άλλες ουσίες που δεν αφαιρούνται εύκολα (πίσσα, κόμμα, γράσο, κεριά κλπ).
  - Επιλέξτε τη ρύθμιση γενικής χρήσης του ακροφυσίου στις 15° (B) για δυσκολότερες εργασίες καθαρισμού. Ιδανική ρύθμιση για την αφαίρεση γράσου και βρομιάς από σκληρές επιφάνειες. Η ρύθμιση αυτή επίσης επιτρέπει την αφαίρεση μπογιάς όταν κρατάτε το ακροφύσιο με κλίση 45°.
  - Επιλέξτε τη ρύθμιση του ακροφυσίου για απαλό ψεκασμό στις 40° (C) αν πρέπει να καθαρίσετε προσεκτικά αυτοκίνητα/φορτηγά, σκάφη, τροχόσπιτα, έπιπλα εξωτερικού χώρου, χλοοκοπτικά κλπ.
  - Επιλέξτε τη ρύθμιση του ακροφυσίου για εκτόξευση του νερού σε δέσμη κωνικού σχήματος (D) αν πρέπει να ξεπλύνετε επιφάνειες με τον καλύτερο δυνατό τρόπο και με υψηλή ροή ώστε να απομακρύνετε ελαφριά βρομιά και διάφορα κατάλοιπα.
  - Επιλέξτε τη ρύθμιση του ακροφυσίου για εκτόξευση νερού με σαπούνη σε δέσμη κωνικού σχήματος (F) αν πρέπει να καθαρίσετε ευαίσθητες επιφάνειες αυτοκινήτων, φορτηγών, παιδικών παιχνιδιών, επίπλων εξωτερικού χώρου κλπ.
  - Επιλέξτε τη ρύθμιση του ακροφυσίου για προσέγγιση μακρινών σημείων (G) αν πρέπει να καθαρίσετε γρήγορα και με υψηλή ροή πλαϊνές επιφάνειες και παράθυρα στον δεύτερο όροφο.
  - Επιλέξτε τη ρύθμιση του ακροφυσίου για προσέγγιση μακρινών σημείων και εκτόξευση νερού με σαπούνη (H) αν πρέπει να ρίξετε σαπούνη και νερό σε πλαϊνές επιφάνειες και παράθυρα στον δεύτερο όροφο.
2. Γυρίστε τον επιλογέα τόσο ώστε το επιθυμητό μοτίβο ψεκασμού να ευθυγραμμιστεί με το βέλος στο ακροφύσιο 7 εξαρτημάτων σε 1.

### Συμβουλές χρήσης

- Για να επιτύχετε τον αποτελεσματικότερο καθαρισμό, το ακροφύσιο πρέπει να απέχει 20 έως 61 εκατοστά (8 έως 24 ίντσες) από την επιφάνεια που θα καθαρίσετε.
- Αν φέρετε πάρα πολύ κοντά το ακροφύσιο, ιδίως αν είναι υψηλής πίεσης, υπάρχει κίνδυνος να πάθει ζημιά η επιφάνεια που καθαρίζετε.
- ΜΗΝ το φέρετε πιο κοντά από τα 15 εκατοστά (τις 6 ίντσες) όταν καθαρίζετε ελαστικά.

### Χρήση απορρυπαντικού

**ΠΡΟΕΙΔΟΠΟΙΗΣΗ!** Τα χημικά ενέχουν κινδύνους πρόκλησης θανάσιμου ή σοβαρού τραυματισμού λόγω εγκαυμάτων. Ποτέ ΜΗ χρησιμοποιήσετε καυστικά υγρά με το μηχάνημα καθαρισμού υψηλής πίεσης. Χρησιμοποιήστε ΜΟΝΟ ασφαλή απορρυπαντικά/σαπούνια. Ακολουθήστε τις οδηγίες του κατασκευαστή.

**Για να χρησιμοποιήσετε απορρυπαντικό, ακολουθήστε τα εξής βήματα:**

1. Αφαιρέστε το πώμα από το δοχείο του απορρυπαντικού (D) και γεμίστε το δοχείο με το ενδεδειγμένο διάλυμα απορρυπαντικού. Επανατοποθετήστε το πώμα.

2. Βεβαιωθείτε ότι έχετε επιλέξει ένα από τα μοτίβα ψεκασμού νερού με σαπούνη στο ακροφύσιο 7 εξαρτημάτων σε 1.

**ΕΠΙΣΗΜΑΝΣΗ** Δεν μπορείτε να ρίξετε απορρυπαντικό με τα ακροφύσια υψηλής πίεσης ( το μοτίβο μέγιστο ψεκασμού, το μοτίβο γενικής χρήσης, το μοτίβο για ευαίσθητες επιφάνειες, το μοτίβο εκτόξευσης του νερού σε δέσμη κωνικού σχήματος ή το μοτίβο προσέγγισης μακρινών σημείων).

3. Ρίξτε απορρυπαντικό σε μια στεγνή επιφάνεια, αρχίζοντας από το κατώτερο τμήμα της περιοχής που θέλετε να πλύνετε και συνεχίστε προς τα πάνω με μεγάλες κινήσεις, ομοιόμορφες και αλληλεπικαλυπτόμενες κινήσεις.
4. Πρωτού πλύνετε και ξεπλύνετε την επιφάνεια, αφήστε την να μουλιάσει με το απορρυπαντικό σύμφωνα με τις οδηγίες του κατασκευαστή.

### Ξέπλυμα με το μηχάνημα καθαρισμού υψηλής πίεσης Εικόνα 10

1. Επιλέξτε το επιθυμητό μοτίβο του ακροφυσίου για ψεκασμό υψηλής πίεσης.



**ΠΡΟΕΙΔΟΠΟΙΗΣΗ!** Αν κλοστήσει το πιστόλι ψεκασμού διατρέχετε κίνδυνο θανάσιμου ή σοβαρού τραυματισμού γιατί ενδέχεται να πέσετε. Πρέπει να χρησιμοποιείτε το μηχάνημα καθαρισμού υψηλής πίεσης από σταθερή επιφάνεια. Ιδιαίτερη προσοχή απαιτείται αν πρέπει να χρησιμοποιήσετε το μηχάνημα καθαρισμού υψηλής πίεσης ενώ βρίσκεστε πάνω σε σκάλα, σκαλωσιές ή κάθε άλλη παρόμοια θέση. Πιάστε σταθερά το πιστόλι και με τα δύο χέρια όταν χρησιμοποιείτε ψεκασμό υψηλής πίεσης για να αποφύγετε κάθε κίνδυνο τραυματισμού όταν κλοστήσει το πιστόλι ψεκασμού.

2. Ψεκάστε μια μικρή περιοχή με υψηλή πίεση και ελέγξτε μήπως έχει πάθει ζημιά η επιφάνεια. Αν δεν παρατηρήσετε ζημιά, συνεχίστε το ξέπλυμα.
3. Αρχίστε από το πάνω μέρος της περιοχής που θέλετε να ξεπλύνετε και συνεχίστε προς τα κάτω με τις ίδιες αλληλεπικαλυπτόμενες κινήσεις όπως κατά τον καθαρισμό.

### Διακοπή λειτουργίας μηχανήματος καθαρισμού υψηλής πίεσης Εικόνα 3

1. Αφήστε τη σκανδάλη του πιστολιού ψεκασμού.
2. Πιέστε τον κύριο διακόπτη ενεργοποίησης/απενεργοποίησης (D) για να τον φέρετε στη θέση απενεργοποίησης (0).

**ΕΠΙΣΗΜΑΝΣΗ** Όταν αφήσετε τη σκανδάλη, θα διακοπεί η λειτουργία του κινητήρα αλλά δεν θα διακοπεί η παροχή ηλεκτρικής ισχύος στη μονάδα.

3. Διακόψτε την παροχή νερού.
4. Κρατώντας το πιστόλι ψεκασμού ΠΑΝΤΑ στραμμένο σε ασφαλή κατεύθυνση, πιέστε το κουμπί κλειδώματος της σκανδάλης και πιέστε τη σκανδάλη για να εκτονωθεί η πίεση που έχει συσσωρευτεί στη μονάδα.



**ΠΡΟΕΙΔΟΠΟΙΗΣΗ!** Η υψηλής πίεσης ροή νερού που παράγει ο συγκεκριμένος εξοπλισμός υπάρχει κίνδυνος να κόψει το δέρμα και τους υποδόριους ιστούς με αποτέλεσμα σοβαρό τραυματισμό και πιθανό ακρωτηριασμό. Ο εύκαμπτος σωλήνας υψηλής πίεσης πρέπει να παραμένει συνδεδεμένος στην αντλία και στο πιστόλι ψεκασμού όση ώρα είναι υπό πίεση το σύστημα. ΜΗΝ αφήσετε τα ΠΑΙΔΙΑ να χρησιμοποιήσουν το μηχάνημα καθαρισμού υψηλής πίεσης. Κρατώντας το πιστόλι ψεκασμού ΠΑΝΤΑ στραμμένο σε ασφαλή κατεύθυνση, πιέστε το κόκκινο κουμπί και πιέστε τη σκανδάλη του πιστολιού ψεκασμού για να εκτονωθεί η υψηλή πίεση κάθε φορά που διακόπτετε τη λειτουργία του κινητήρα.5. Αποσυνδέστε το βύσμα της PRCD (G) από την έξοδο και τυλίξτε το καλώδιο τροφοδοσίας στο κάτω άγκιστρο του δίσκου για τα παρελκόμενα.

6. Τυλίξτε τον εύκαμπτο σωλήνα υψηλής πίεσης στο επάνω άγκιστρο του δίσκου για τα παρελκόμενα.
7. Αποθηκεύστε το κόκκινο ακροφύσιο υψηλής πίεσης στο άκρο της επέκτασης του ακροφυσίου. Αποθηκεύστε το πιστόλι ψεκασμού, την επέκταση του ακροφυσίου και το ακροφύσιο 7 εξαρτημάτων σε 1 πάνω στον δίσκο για τα παρελκόμενα.

## Μετά από κάθε χρήση

Μην αφήνετε νερό μέσα στη μονάδα για μεγάλα χρονικά διαστήματα. Υπάρχει κίνδυνος να εναποθεθούν ιζήματα ή ανόργανα άλατα στα εξαρτήματα της αντλίας και να διακοπεί η λειτουργία της. Μετά από κάθε χρήση ακολουθήστε τις εξής διαδικασίες:

1. Αφήστε το μηχάνημα καθαρισμού υψηλής πίεσης να λειτουργεί με το ακροφύσιο ψεκασμού σαπουνιού ωστόσο αδειάσει το δοχείο του απορρυπαντικού.
2. Προσθέστε 0,5 λίτρο νερού στο δοχείο του απορρυπαντικού και αφήστε το μηχάνημα να λειτουργεί με το ακροφύσιο ψεκασμού σαπουνιού. Ξεπλύνετε το σύστημα επί ένα έως δύο λεπτά.
3. Πιέστε τον κύριο διακόπτη ενεργοποίησης/ απενεργοποίησης για να τον φέρετε στη θέση απενεργοποίησης (0). Αφαιρέστε το φινι του καλωδίου τροφοδοσίας από την ηλεκτρική πρίζα.
4. Διακόψτε την παροχή νερού. Στρέψτε το πιστόλι σε ασφαλή κατεύθυνση, πιέστε το κουμπί κλειδώματος της σκανδάλης και πιέστε τη σκανδάλη για να εκτονωθεί η παγιδευμένη πίεση.
5. Αποσυνδέστε το λάστιχο κήπου από την είσοδο του νερού. Αποσυνδέστε τον εύκαμπτο σωλήνα υψηλής πίεσης από το πιστόλι και από την έξοδο υψηλής πίεσης.
6. Αποστραγγίστε το νερό από τον εύκαμπτο σωλήνα και το πιστόλι ψεκασμού και σκουπίστε καλά τις εξωτερικές επιφάνειες.
7. Αποστραγγίστε το νερό από την αντλία γέροντας τη μονάδα και στηρίζοντάς την στη δεξιά πλευρά της (με την είσοδο του νερού στραμμένη προς τα κάτω) επί δύο λεπτά. Γυρίστε ανάποδα τη μονάδα και αφήστε την στηριγμένη στην έξοδο υψηλής πίεσης επί δύο ακόμη λεπτά.
8. Τυλίξτε τον εύκαμπτο σωλήνα υψηλής πίεσης στο επάνω άγκιστρο του δίσκου για τα παρελκόμενα.
9. Τυλίξτε το καλώδιο τροφοδοσίας στο κάτω άγκιστρο του δίσκου για τα παρελκόμενα. Αποθηκεύστε το πιστόλι ψεκασμού, την επέκταση του ακροφυσίου και το ακροφύσιο 7 εξαρτημάτων σε 1 πάνω στον δίσκο για τα παρελκόμενα.
10. Αποθηκεύστε τη μονάδα σε καθαρό χώρο χωρίς υγρασία.
11. Αν πρόκειται να αποθηκεύσετε το μηχάνημα για περισσότερες από 30 ημέρες, ανατρέξτε στην ενότητα «Αποθήκευση».

## Συντήρηση

### Γενικές συστάσεις

Με την τακτική συντήρηση βελτιώνονται οι επιδόσεις και παρατείνεται η διάρκεια ζωής του μηχανήματος καθαρισμού υψηλής πίεσης. Αναθέστε τις εργασίες συντήρησης σε οποιοδήποτε εξουσιοδοτημένο συνεργείο συντήρησης της Briggs & Stratton. ΜΗΝ αφήσετε τα ΠΑΙΔΙΑ να χρησιμοποιήσουν το μηχάνημα καθαρισμού υψηλής πίεσης. Η εγγύηση για το μηχάνημα καθαρισμού υψηλής πίεσης δεν καλύπτει όσα είδη έχουν χαλάσει λόγω κακής χρήσης ή αμέλειας από μέρους του χειριστή. Ο χρήστης, για να αξιοποιήσει πλήρως την εγγύηση, πρέπει να συντηρεί το μηχάνημα καθαρισμού υψηλής πίεσης σύμφωνα με τις οδηγίες που παρέχονται στο παρόν εγχειρίδιο, συμπεριλαμβανομένων των υποδείξεων για τον ενδεδειγμένο τρόπο αποθήκευσης που παρατίθενται αναλυτικά στην ενότητα *Αποθήκευση*.



**ΠΡΟΕΙΔΟΠΟΙΗΣΗ!** Για την ασφάλεια του μηχανήματος, πρέπει να χρησιμοποιείτε μόνο γνήσια ανταλλακτικά του κατασκευαστή ή αντίστοιχα τους που είναι εγκεκριμένα από τον κατασκευαστή. Αν έχετε απορίες για την αντικατάσταση εξαρτημάτων στο μηχάνημα καθαρισμού υψηλής πίεσης που διαθέτετε, επισκεφτείτε τον ιστότοπό μας **BRIGGSandSTRATTON.COM**. Αν χαλάσει το καλώδιο, αποταθείτε σε εξουσιοδοτημένο συνεργείο συντήρησης της Briggs & Stratton.

### Συντήρηση ακροφυσίου

Καθαρίστε το ακροφύσιο ψεκασμού για να εκτονωθεί από την αντλία η υπερβολική πίεση που προκαλείται αν είναι φραγμένο κάποιο στόμιο ψεκασμού:

1. Πιέστε τον κύριο διακόπτη ενεργοποίησης/απενεργοποίησης για να τον φέρετε στη θέση απενεργοποίησης (0). Αφαιρέστε το φινι του καλωδίου τροφοδοσίας από την ηλεκτρική πρίζα.
2. Αφαιρέστε το ακροφύσιο 7 εξαρτημάτων σε 1 από την επέκταση του ακροφυσίου.
3. Με έναν μικρό συνδετήρα χαρτιού αφαιρέστε κάθε ξένο υλικό που φράζει ή εμποδίζει το ακροφύσιο.
4. Επανεγκαταστήστε το ακροφύσιο 7 εξαρτημάτων σε 1 μέσα στην επέκταση του ακροφυσίου.

### Συντήρηση δακτυλίου κυκλικής διατομής

#### Εικόνα 10

Η χρήση λιπαντικού (πετρελαίου ή συνθετικού γράσου) ενδείκνυται για τους δακτυλίους κυκλικής διατομής των εδράνων επειδή παρέχει βελτιωμένη στεγανότητα. Αλείψτε με λιπαντικό τους δακτυλίους κυκλικής διατομής προτού συναρμολογήσετε τον εύκαμπτο σωλήνα υψηλής πίεσης (A), τον εύκαμπτο σωλήνα υψηλής πίεσης (B), Πιστόλι ψεκασμού (C) και την πλαστική βέργα (D).

Μπορείτε να αγοράσετε εργαλειοσύνολο συντήρησης δακτυλίων κυκλικής διατομής από εξουσιοδοτημένο συνεργείο συντήρησης της Briggs & Stratton. ΠΟΤΕ μην επισκευάσετε συνδέσεις που παρουσιάζουν διαρροή χρησιμοποιώντας στεγανωτικό υλικό οιοδήποτε είδους. Επανατοποθετήστε τον δακτύλιο κυκλικής διατομής ή το στεγανωτικό παρέμβυσμα.

#### Αντικατάσταση ασφάλειας της PRCD Εικόνα 11



**ΠΡΟΕΙΔΟΠΟΙΗΣΗ!** Για να μειωθεί ο κίνδυνος πυρκαγιάς, η ασφάλεια πρέπει να αντικατασταθεί μόνο με ασφάλεια BS 1362 διαβαθμισμένη στα 13 A.

Αν ο εξοπλισμός διαθέτει ασφάλεια μέσα στην PRCD:

1. Εντοπίστε την ασφάλεια στην πλευρά των ακίδων του φινι της PRCD.
2. Χρησιμοποιήστε καταβίδι με πλακέ μύτη για να αφαιρέσετε το κάλυμμα (A) και τη διάταξη της ασφάλειας. Αφαιρέστε την ασφάλεια (B) από το κάλυμμα. Αντικαταστήστε στην ασφάλεια με ασφάλεια BS 1362 διαβαθμισμένη στα 13 A.
3. Τοποθετήστε στη θέση τους το κάλυμμα και τη διάταξη της ασφάλειας.

### Αποθήκευση

Ακολουθήστε τα βήματα 1-10 που παρατίθενται στην ενότητα *Μετά από κάθε χρήση*.

**ΕΠΙΣΗΜΑΝΣΗ** Αν μείνει νερό στην αντλία, υπάρχει κίνδυνος να παγώσει και να προκαλέσει ζημιά στην αντλία. Η εγγύηση δεν καλύπτει ζημιές λόγω πάγου.

### Προστασία της αντλίας

Για να μην πάθει ζημιά η αντλία από εναπόθεση ανόργανων αλάτων ή πάγου, χρησιμοποιήστε PumpSaver ως αντιψυκτικό και λιπαντικό των εμβόλων και των στεγανωτικών παρεμβυσμάτων.

**ΕΠΙΣΗΜΑΝΣΗ** Αν δεν προστατέψετε τη μονάδα από θερμοκρασίες παγετού, η αντλία θα πάθει ζημιά και η μονάδα δεν θα μπορεί να λειτουργήσει. Η εγγύηση δεν καλύπτει ζημιές λόγω πάγου.

### Συμβουλές για οριστική αποθήκευση

1. Τυλίξτε τον εύκαμπτο σωλήνα υψηλής πίεσης στο επάνω άγκιστρο του δίσκου για τα παρελκόμενα.
2. Τυλίξτε το καλώδιο τροφοδοσίας στο κάτω άγκιστρο του δίσκου για τα παρελκόμενα.
3. Αποθηκεύστε το πιστόλι ψεκασμού, την επέκταση του ακροφυσίου και το ακροφύσιο 7 εξαρτημάτων σε 1 πάνω στον δίσκο για τα παρελκόμενα.
4. Σκεπάστε τη μονάδα με προστατευτικό κάλυμμα που δεν συγκρατεί υγρασία και αποθηκεύστε την σε καθαρό χώρο που δεν έχει υγρασία και είναι προστατευμένος από θερμοκρασίες παγετού.

# Αντιμετώπιση προβλημάτων

Πρόβλημα	Αιτία	Διόρθωση
<b>Η αντλία παρουσιάζει τα εξής προβλήματα: αποτυχία παραγωγής πίεσης, ακανόνιστη πίεση, θόρυβο, απώλεια πίεσης, χαμηλό όγκο νερού.</b>	<ol style="list-style-type: none"> <li>1. Η είσοδος του νερού είναι φραγμένη.</li> <li>2. Η παροχή νερού είναι ανεπαρκής.</li> <li>3. Ο σωλήνας κήπου είναι λυγισμένος ή παρουσιάζει διαρροή.</li> <li>4. Η σχάρα της εισόδου του νερού είναι βουλωμένη.</li> <li>5. Το στόμιο ψεκασμού είναι φραγμένο.</li> </ol>	<ol style="list-style-type: none"> <li>1. Καθαρίστε την είσοδο.</li> <li>2. Φροντίστε να υπάρχει επαρκής ροή νερού.</li> <li>3. Ισιώστε τον σωλήνα κήπου ή αντικαταστήστε τον αν παρουσιάζει διαρροή.</li> <li>4. Καθαρίστε ή αντικαταστήστε τη σχάρα της εισόδου του νερού.</li> <li>5. Καθαρίστε το στόμιο ψεκασμού.</li> </ol>
<b>Η μονάδα δεν μπορεί να τεθεί σε λειτουργία όταν πατήσετε τη σκανδάλη του πιστολιού ψεκασμού.</b>	<ol style="list-style-type: none"> <li>1. Δεν είναι ενεργοποιημένη η παροχή νερού.</li> <li>2. Δεν είναι ενεργοποιημένη η μονάδα.</li> <li>3. Ο σωλήνας κήπου είναι υπερβολικά μακρύς.</li> <li>4. Κάηκε η ασφάλεια ή ενεργοποιήθηκε ο διακόπτης του κυκλώματος.</li> </ol>	<ol style="list-style-type: none"> <li>1. Ενεργοποιήστε την παροχή νερού.</li> <li>2. Πιέστε τον κύριο διακόπτη ενεργοποίησης/ απενεργοποίησης για να τον φέρετε στη θέση ενεργοποίησης (I). Προχωρήστε στην επαναφορά της PRCD.</li> <li>3. Χρησιμοποιήστε μόνο σωλήνα κήπου μέγιστου μήκους 15,24 μέτρων (50 ποδιών).</li> <li>4. α) Αντικαταστήστε την ασφάλεια ή επαναφέρετε τον διακόπτη του κυκλώματος. β) Αποσυνδέστε τις υπόλοιπες ηλεκτρικές συσκευές και σβήστε τις λυχνίες στο κύκλωμα ή χρησιμοποιήστε αποκλειστικό κύκλωμα. γ) Αφήστε τη μονάδα να λειτουργήσει επί 5 λεπτά με το στόμιο ψεκασμού τούρμπο.</li> </ol>
<b>Το απορρυπαντικό δεν μπορεί να αναμειχθεί κατά τον ψεκασμό.</b>	<ol style="list-style-type: none"> <li>1. Έχετε εγκαταστήσει το ακροφύσιο υψηλής πίεσης.</li> <li>2. Η πίεση της παροχής νερού στην είσοδο είναι υπερβολικά υψηλή.</li> </ol>	<ol style="list-style-type: none"> <li>1. Εγκαταστήστε στόμιο ψεκασμού του ακροφυσίου.</li> <li>2. Κλείστε αργά τη βαλβίδα παροχής νερού ωσότου αρχίσει να αντλείται το χημικό.</li> </ol>
<b>Υπάρχουν διαρροές στις συνδέσεις του εύκαμπτου σωλήνα.</b>	<ol style="list-style-type: none"> <li>1. Ο σωλήνας κήπου δεν είναι καλά σφιγμένος στην είσοδο του νερού.</li> <li>2. Οι συνδέσεις του εύκαμπτου σωλήνα υψηλής πίεσης δεν είναι καλά σφιγμένες.</li> <li>3. Κάποιος δακτύλιος κυκλικής διατομής έχει χαλάσει.</li> </ol>	<ol style="list-style-type: none"> <li>1. Σφίξτε με το χέρι το λάστιχο κήπου.</li> <li>2. Αφαιρέστε τον εύκαμπτο σωλήνα και επανεγκαταστήστε τον.</li> <li>3. Αντικαταστήστε τον δακτύλιο κυκλικής διατομής.</li> </ol>

ΆλλοΓια κάθε άλλο ζήτημα αποταθείτε σε εξουσιοδοτημένο αντιπρόσωπο της Briggs & Stratton.

Προδιαγραφές		
Επιτρεπτή πίεση	MPa/BAR/PSI	16,0/160/2,320*
Μέγιστη ροή	LPM/GPM	15,0/4,0*
Ονομαστική τιμή πίεσης και ροής	MPa/BAR/PSI @ LPM/GPM	12/120/1.740 @ 5,5/1,45
Θερμοκρασία παροχής νερού	°C/°F	38/100
Ονομαστική τιμή τάσης	V	220 - 240
Ονομαστική τιμή συχνότητας	Hz	50/60
Κατανάλωση ισχύος	W	2,500
Ρεύμα	A	9,0
Κατηγορία προστασίας	Κατηγορία	Κατηγορία II
Βαθμός προστασίας	IP xx	IPX5
Δόνηση στα χέρια - μπράτσα $a_{hd}$ Αβεβαιότητα K	$m/s^2$ $m/s^2$	$\leq 2,5^*$ $0,2^*$
Στάθμη ηχητικής πίεσης $L_{pA}$ Αβεβαιότητα $K_{pA}$	$dB(A)$ $dB(A)$	$74^*$ $2^*$
Στάθμη ηχητικής πίεσης $L_{WA}$	$dB(A)$	$94^*$
Εγγυημένα ηχητικής ισχύος $L_{WA,d}$	$dB(A)$	$96^*$

\*Με βάση το πρότυπο EN 60335-2-79: του 2012.

## Δήλωση συμμόρφωσης ΕΕ

### Lavorwash spa

Via J.F.Kennedy, 12 – 46020 Pegognaga (MN) – Ιταλία

Αυτή η Δήλωση Συμμόρφωσης εκδίδεται με αποκλειστική ευθύνη του κατασκευαστή. Πιστοποιεί ότι τα προϊόντα που αναφέρονται στο παρόν έγγραφο πληρούν τη σχετική εναρμονιστική νομοθεσία της Ευρωπαϊκής Ένωσης και μπορούν να φέρουν τη σήμανση CE. Τα μοντέλα αυτά πληρούν τις παρακάτω Οδηγίες και σχετικά Πρότυπα.

**Προϊόν:** Καθαριστικό υψηλής πίεσης  
**Μοντέλο - Τύπος:** BPW1800PX



### Οδηγίες ΕΕ

2006/42/EC (+2009/127/EC)  
2006/95/EC  
2004/108/EC  
2000/14/EC (+2005/88/EC)  
2011/65/EU (+2015/863/EU)  
2014/35/EU ≥ 2016-04-20  
2014/30/EU ≥ 2016-04-20

### Πρότυπα

EN 60335-1:2012  
EN 60335-2-79:2012  
EN 62233:2008  
EN 55014-1:2006+A1:2009+A2:2011  
EN 55014-2:1997+A1:2001+A2:2008  
EN 61000-3-2:2006+A1:2009+A2:2009  
EN 61000-3-3:2013  
EN 50581:2012

### Στάθμη ηχητικής ισχύος

Μετρημένη dB(A): **94**  
Εγγυημένη dB(A): **96**

2000/14/EC: Η συσκευή ορίζεται από τη διαδικασία αξιολόγησης Συμμόρφωσης αρ. 27 του Παραρτήματος Ι, σύμφωνα με το Παράρτημα V.

Ο τεχνικός φάκελος φυλάσσεται στην Lavorwash spa, via J.F.Kennedy, 12 - 46020 Pegognaga (MN) – Ιταλία.

Lavorwash S.p.A  
via J.F.Kennedy, 12  
46020 Pegognaga

(MN) - Italy Pegognaga, 15 Οκτωβρίου 2015

Giancarlo Lanfredi  
Γενικός Διευθυντής

## ΠΕΡΙΟΡΙΣΜΕΝΗ ΕΓΓΥΗΣΗ

Η Briggs & Stratton εγγυάται ότι, κατά τη διάρκεια της περιόδου εγγύησης που καθορίζεται παρακάτω, θα επισκευάσει ή θα αντικαταστήσει χωρίς καμία χρέωση κάθε εξάρτημα που θα διαπιστωθεί ότι είναι ελαττωματικό λόγω υλικών ή κακοτεχνίας ή και για τους δύο αυτούς λόγους. Τα έξοδα μεταφοράς των προϊόντων που αποστέλλονται για επισκευή ή αντικατάσταση στο πλαίσιο της παρούσας εγγύησης επιβαρύνουν τον αγοραστή. Η παρούσα εγγύηση ισχύει για τις χρονικές περιόδους και υπόκειται στις συνθήκες που δηλώνονται παρακάτω. Για εργασίες επισκευής και συντήρησης στο πλαίσιο της εγγύησης, βρείτε το πλησιέστερο εξουσιοδοτημένο συνεργείο συντήρησης στον χάρτη του προγράμματος εντοπισμού των αντιπροσώπων μας στον ιστότοπο BRIGGSandSTRATTON.COM. Ο αγοραστής πρέπει να επικοινωνήσει με το εξουσιοδοτημένο συνεργείο συντήρησης και ύστερα να παραδώσει εκεί το προϊόν για έλεγχο και δοκιμές.

**Δεν παρέχεται καμία άλλη ρητή εγγύηση. Οι σιωπηρές εγγυήσεις, συμπεριλαμβανομένων όσων αφορούν την εμπορευσιμότητα και την καταλληλότητα για συγκεκριμένο σκοπό, περιορίζονται στην περίοδο εγγύησης που αναφέρεται παρακάτω ή στον βαθμό που επιτρέπεται από την ισχύουσα νομοθεσία. Ουδενμία ευθύνη αναλαμβάνουμε για θετικές ή αποθετικές ζημιές ή ζημιές στον βαθμό που η εξαίρεση αυτή επιτρέπεται από τη νομοθεσία.** Ορισμένες χώρες ή πολιτείες δεν επιτρέπουν περιορισμούς ως προς τη διάρκεια σιωπηλών εγγυήσεων και ορισμένες χώρες ή πολιτείες δεν επιτρέπουν την εξαίρεση ή τον περιορισμό θετικών ή αποθετικών ζημιών και συνεπώς ο περιορισμός και η εξαίρεση που προαναφέρονται ενδέχεται να μην ισχύουν στην περίπτωση σας. Η παρούσα εγγύηση σας δίνει συγκεκριμένα νομικά δικαιώματα ενώ ενδέχεται να έχετε και άλλα δικαιώματα που ποικίλλουν κατά πολιτεία ή χώρα.\*\*

## ΠΕΡΙΟΔΟΣ ΙΣΧΥΟΣ ΕΓΓΥΗΣΗΣ

Χρήση από ιδιώτη καταναλωτή	Εμπορική χρήση
12 μήνες	Καμία

\*\* Στην Αυστραλία - Τα προϊόντα μας συνοδεύονται από εγγυήσεις που δεν μπορούν να εξαιρεθούν βάσει της αυστραλιανής νομοθεσίας περί προστασίας των καταναλωτών. Δικαιούστε αντικατάσταση του προϊόντος ή επιστροφή χρημάτων σε περίπτωση σοβαρής αποτυχίας και αποζημίωση σε περίπτωση οιασδήποτε άλλης ευλόγως προβλέψιμης απώλειας ή ζημιάς. Δικαιούστε επίσης επισκευή ή αντικατάσταση των προϊόντων αν διαπιστωθεί ότι η ποιότητά τους δεν είναι αποδεκτή ακόμη και αν η αποτυχία δεν είναι σοβαρή. Για εργασίες επισκευής και συντήρησης στο πλαίσιο της εγγύησης, βρείτε το πλησιέστερο εξουσιοδοτημένο συνεργείο συντήρησης στον χάρτη του προγράμματος εντοπισμού των αντιπροσώπων μας στον ιστότοπο BRIGGSandSTRATTON.COM ή καλώντας τον αριθμό 1300 274 447 ή στέλνοντας μας ηλ-μήνυμα στη διεύθυνση salesenquires@briggsandstratton.com.au ή επιστολή στη διεύθυνση Briggs & Stratton Australia Pty Ltd, 1 Moorebank Avenue, NSW, Australia, 2170.

Η περίοδος ισχύος της εγγύησης ξεκινά από την ημερομηνία αγοράς από τον πρώτο αγοραστή λιανικής πώλησης ή εμπορικό καταναλωτή. Ο όρος «χρήση από ιδιώτη καταναλωτή» σημαίνει προσωπική οικιακή χρήση από καταναλωτή ειδών λιανικής πώλησης. Ο όρος «εμπορική χρήση» σημαίνει όλες τις άλλες χρήσεις συμπεριλαμβανομένης της χρήσης για εμπορικούς και εισοδηματικούς σκοπούς ή σκοπούς ενοικίασης. Εφόσον το προϊόν χρησιμοποιηθεί για εμπορικούς σκοπούς, βάσει των προαναφερθέντων η χρήση του θα θεωρηθεί εμπορική για τους σκοπούς της παρούσας εγγύησης.

Για να διασφαλίσετε την έγκαιρη και πλήρη κάλυψη του προϊόντος σας στο πλαίσιο της εγγύησης, δηλώστε το στον προαναφερόμενο ιστότοπο ή στον ιστότοπο [www.onlineproductregistration.com](http://www.onlineproductregistration.com) ή ταχυδρομήστε τη συμπληρωμένη κάρτα δήλωσης του προϊόντος (αν υπάρχει) ή καλέστε τον αριθμό 1-800-743-4115 (στις ΗΠΑ).

Φυλάξτε το παραστατικό της απόδειξης αγοράς. Αν δεν προσκομίσετε παραστατικό όπου θα αποδεικνύεται η ημερομηνία της αρχικής αγοράς όταν θα ζητήσετε εργασίες επισκευής και συντήρησης στο πλαίσιο της εγγύησης, η περίοδος ισχύος της εγγύησης θα καθοριστεί βάσει της ημερομηνίας κατασκευής του προϊόντος. Δεν απαιτείται δήλωση του προϊόντος προκειμένου να σας παρασχεθούν υπηρεσίες εγγύησης στο πλαίσιο της εγγύησης για προϊόντα της Briggs & Stratton.

## ΠΛΗΡΟΦΟΡΙΕΣ ΓΙΑ ΤΗΝ ΕΓΓΥΗΣΗ ΣΑΣ

Οι εργασίες επισκευής και συντήρησης στο πλαίσιο της εγγύησης είναι διαθέσιμες μόνο μέσω των εξουσιοδοτημένων συνεργείων συντήρησης της Briggs & Stratton. Οι περισσότερες επισκευές που καλύπτονται από την εγγύηση εκτελούνται με τις συνήθεις διατυπώσεις, όμως μερικές φορές οι αιτήσεις για εργασίες επισκευής και συντήρησης στο πλαίσιο της εγγύησης ίσως δεν είναι οι ενδεδειγμένες. Η παρούσα εγγύηση καλύπτει μόνο ελαττωματικά υλικά ή κακοτεχνία. Δεν καλύπτει ζημιές που προκλήθηκαν από ακατάλληλη ή κακή χρήση, μη ενδεδειγμένες εργασίες συντήρησης ή επισκευής, φυσιολογική φθορά ή χρήση ξεθωριασμένου ή μη εγκεκριμένου καυσίμου.

**Ακατάλληλη και κακή χρήση** - Η ενδεδειγμένη, προβλεπόμενη χρήση του συγκεκριμένου προϊόντος περιγράφεται στο Εγχειρίδιο χειριστή. Η χρήση του προϊόντος με τρόπο που δεν περιγράφεται στο Εγχειρίδιο χειριστή ή αφού παρουσιάσει βλάβη καθιστά την εγγύησή σας άκυρη. Επίσης, δεν θα παρασχεθεί κάλυψη στο πλαίσιο της εγγύησης αν έχει αφαιρεθεί ο σειριακός αριθμός από το προϊόν ή αν το προϊόν έχει υποστεί μετατροπές ή τροποποιήσεις με οιοδήποτε τρόπο ή έχει εμφανή ίχνη κακής χρήσης, π.χ. ζημιά λόγω χτυπημάτων ή διάβρωσης από νερό/χημικά.

**Μη ενδεδειγμένες εργασίες συντήρησης ή επισκευής** - Οι εργασίες συντήρησης του προϊόντος πρέπει να εκτελούνται με βάση τις διαδικασίες και τα χρονοδιαγράμματα που παρατίθενται στο Εγχειρίδιο χειριστή και κατά τις εργασίες συντήρησης ή επισκευής πρέπει να χρησιμοποιούνται γνήσια εξαρτήματα της Briggs & Stratton ή ισοδύναμά τους. Η εγγύηση δεν καλύπτει ζημιές που οφείλονται σε ελλιπή συντήρηση ή στη χρήση μη γνήσιων εξαρτημάτων.

**Φυσιολογική φθορά** - Η μονάδα σας, όπως και οι περισσότερες μηχανικές συσκευές, με την πάροδο του χρόνου θα παρουσιάσει σημάδια φθοράς ακόμη και όταν η συντήρησή της γίνεται με τον ενδεδειγμένο τρόπο. Η παρούσα εγγύηση δεν καλύπτει επισκευές όταν κάποιο εξάρτημα ή ο εξοπλισμός εξάντλησε τον κύκλο ζωής του μετά από κανονική χρήση. Τα εξαρτήματα που επιδέχονται συντήρηση και υφίστανται φυσιολογική φθορά, π.χ. φίλτρα, μίαντες, λεπίδες κοπής και τακάκια φρένων (εκτός από τα τακάκια των φρένων του κινητήρα) δεν καλύπτονται από την εγγύηση γιατί από τη φύση τους φθείρονται εύκολα, εκτός αν η φθορά τους οφείλεται σε ελαττωματικά υλικά ή κακοτεχνία.

**Ξεθωριασμένο ή μη εγκεκριμένο καύσιμο** - Για τη σωστή λειτουργία του προϊόντος απαιτείται η χρήση φρέσκου καυσίμου το οποίο συμμορφώνεται προς τα κριτήρια που καθορίζονται στο Εγχειρίδιο χειριστή. Η εγγύηση δεν καλύπτει ζημιές στον κινητήρα ή στον εξοπλισμό που έχουν προκληθεί από ξεθωριασμένο καύσιμο ή από τη χρήση μη εγκεκριμένων καυσίμων (όπως τα μείγματα αιθανόλης E15 ή E85) δεν καλύπτονται από την εγγύηση.

**Λοιπές εξαιρέσεις** - Η παρούσα εγγύηση δεν καλύπτει ζημιές που οφείλονται σε ατύχημα, κακή χρήση, τροποποιήσεις, μετατροπές, μη ενδεδειγμένες εργασίες συντήρησης και φθορά λόγω παγετού ή χρήσης χημικών προϊόντων. Επίσης, δεν καλύπτει προσαρτήματα ή παρελκόμενα που δεν περιλαμβάνονταν στη αρχική συσκευασία του προϊόντος. Η εγγύηση δεν καλύπτει εξοπλισμό που χρησιμοποιείται ως πρωταρχική πηγή ισχύος αντί βοηθητικού τροφοδοτικού ούτε εξοπλισμό που χρησιμοποιείται σε εφαρμογές υποστήριξης ζωτικών λειτουργιών. Η παρούσα εγγύηση δεν καλύπτει χρησιμοποιημένο, ανακατασκευασμένο ή μεταχειρισμένο εξοπλισμό ούτε εξοπλισμό ή κινητήρες επίδειξης. Επίσης, η παρούσα εγγύηση δεν καλύπτει βλάβες οι οποίες οφείλονται σε θεομηνίες ή σε λόγους ανωτέρας βίας που αδυνατεί να προβλέψει και να ελέγξει ο κατασκευαστής.

80011059\_EL Avaθ. -

# Índice

Símbolos de seguridad y control.....	4
Descripción del equipo.....	4
Armado.....	5
Características y controles.....	5
Operación.....	5
Mantenimiento.....	7
Almacenamiento.....	7
Solución de problemas.....	8
Especificaciones.....	8
Garantía.....	10

## Símbolos de seguridad y control

Se puede usar un símbolo de seguridad para representar el tipo de riesgo. **ADVERTENCIA** indica un peligro que si no es evitado, *podría* ocasionar la muerte o heridas graves. **AVISO** hace referencia a una práctica no relacionada con una lesión física.

SA



Lea el Manual



Descarga eléctrica



Inyección de fluidos



Símbolo de alerta de seguridad



Caída



Incendio



Objetos despedidos



Quemadura química



Encendido



Apagado



Agua no potable



No apunte nunca la pistola rociadora a usted mismo, otras personas o animales. No rocíe nunca cerca de la fuente de alimentación o de la propia unidad.

Esta máquina no está destinada a su uso por parte de personas (incluidos niños) con capacidades mentales, sensoriales o físicas disminuidas, o sin la experiencia o conocimientos requeridos, a menos que estén supervisados e informados sobre el funcionamiento seguro y los riesgos asociados.

### ADVERTENCIA

- Esta máquina ha sido diseñada para usarse con el agente limpiador suministrado o recomendado por el fabricante; el uso de otro agente limpiador o químico puede afectar negativamente la seguridad de la misma.
- Los chorros de alta presión pueden ser peligrosos si no se utilizan debidamente. El chorro no debe apuntar directamente a personas, equipos eléctricos conectados o a la misma máquina.
- No use esta máquina si hay más personas a su alrededor a menos que estén usando ropa de seguridad.

- No apunte el chorro directamente a usted u otras personas para limpiar su ropa o calzado.
- No utilice líquidos inflamables ya que existe riesgo de explosión.
- Las limpiadoras de alta presión no deben ser usadas por niños ni por personal sin capacitación.
- Las mangueras de alta presión, accesorios y uniones son importantes para la seguridad de la máquina: use solamente aquellos recomendados por el fabricante.
- Para asegurar la seguridad del aparato, use solo partes originales del fabricante o aprobadas por este.
- El agua que ha fluido por el preventor de reflujo de agua se considera no potable.
- Desenchufe de la toma de corriente cuando vaya a limpiar la máquina, hacerle mantenimiento o reemplazar partes.
- No use la máquina si el cable o alguna otra parte importante está dañada; por ejemplo: aparatos de seguridad, mangueras de alta presión o pistola.
- No use un cable de prolongación con esta hidrolavadora eléctrica.
- Apague siempre la máquina cuando no la esté usando.

## Descripción del equipo



Lea este manual cuidadosamente y familiarícese con la limpiadora a presión. Conozca sus aplicaciones, sus limitaciones, y cualquier riesgo implicado. Guarde estas instrucciones originales para referencia futura.

Esta limpiadora eléctrica a presión funciona a un máximo de 12.0 MPa (120 BAR o 1,740 PSI (libras por pulgada cuadrada)) y a un caudal de hasta 15.00 LPM (litros por minuto) (4.0 GPM (galones por minuto)).

Se han realizado todos los esfuerzos posibles para asegurar que la información contenida en este manual sea precisa y actual. No obstante, nos reservamos el derecho de cambiar, alterar o mejorar el producto y este documento en cualquier momento y sin previo aviso.

**AVISO** Si tiene alguna pregunta sobre el uso previsto, pregunte al distribuidor o póngase en contacto con un centro de servicio calificado. NUNCA utilice unidades con partes faltantes o dañadas, o sin cubiertas o carcasas protectoras. NO inhabilite los mecanismos de seguridad de esta máquina. NO modifique la limpiadora a presión de ninguna manera. Este equipo se ha diseñado para usarse **UNICAMENTE** con partes autorizadas de Briggs & Stratton.

### Tecnología POWERflow+

La tecnología POWERflow+ de Briggs & Stratton es un sistema de componentes que trabajan en conjunto para ofrecer la capacidad de alto flujo. La fuerza detrás de POWERflow+ está en la bomba con dos modos de limpieza separados: alta presión y alto flujo, lo que mejora la limpieza al proporcionar un mayor alcance, enjabonado potente y capacidad de enjuague más rápido.

### Protección con dispositivo portátil para corrientes residuales

Esta limpiadora a presión cuenta con un dispositivo portátil para corrientes residuales (por sus siglas en inglés, "PRCD") integrado en el enchufe del cable de alimentación. Este dispositivo proporciona una protección adicional contra el riesgo de descarga eléctrica. El PRCD proporciona 10 mA de protección.

## Apagado automático

Un sensor apagará el motor cuando el gatillo de la pistola rociadora se suelta o se bloquea. Si el motor sigue funcionando cuando el gatillo de la pistola rociadora está suelto o bloqueado, **NO UTILICE LA MÁQUINA**. Póngase en contacto con un distribuidor de servicio autorizado por Briggs & Stratton.

**AVISO** El interruptor de encendido/apagado siempre debe estar en la posición de apagado (0) cuando la limpiadora a presión no se esté usando.

## Sobrecarga del motor

Un dispositivo de protección contra sobrecargas apaga automáticamente el motor si este se sobrecalienta o en caso de exceso de corriente. Si el dispositivo se dispara, desconecte la electricidad colocando el interruptor principal de encendido/apagado en la posición de apagado (0). Deje que la unidad se enfríe durante 30 minutos y coloque el interruptor de encendido/apagado en la posición de encendido (I).

## Eliminación de residuos en la Unión Europea



Este símbolo indica que el propietario de baterías y equipos eléctricos o electrónicos no debe desechar este producto con los residuos municipales no clasificados. Este producto debe

desecharse en ubicaciones de residuos ambientalmente adecuadas. Comuníquese con Briggs & Stratton o su distribuidor local para obtener información adicional sobre la eliminación de residuos.

## Armado

### Coloque los tubos de soporte y la manija

#### Figura 1 2

1. Deslice los soportes (1,A) en las ranuras. Alinéelos y sujételos con tornillos (1,B). Mantenga el alineamiento mientras aprieta.
2. Coloque la manija (2, A) en los soportes y alinee los agujeros.
3. Inserte los pernos de carrocería (2, B) a través de los agujeros desde el interior de la unidad, conéctelos con las perillas de plástico (2, C) y apriete.

## Características y controles Figura 3

A	Pistola rociadora	G	Cable de alimentación con PRCD
B	Boquilla 7 en 1	H	Etiqueta de Identificación
C	Bandeja de accesorios	J	Entrada del suministro de agua
D	Tanque de detergente	K	Salida de alta presión
E	Interruptor principal de encendido/apagado	L	Extensión de la boquilla
F	Manguera de alta presión		

## Operación

### Conecte la manguera y el suministro de agua Figura 3 4 6

**AVISO** Usar SÓLO con agua fría (menos de 38°C (100°F)).

1. Enrosque la manguera de alta presión (3,F) en la pistola (3,A).
2. Sujete la manguera azul de alta presión (3,F) a la salida (3,K) y apriete.
3. Confirme que el filtro de entrada de agua y la arandela de goma negra están instalados en el acoplamiento de entrada de agua (4,A).
4. Sujete el acoplamiento de entrada de agua (4,B) a la entrada y apriete.

**AVISO** Para un mejor rendimiento, conecte ÚNICAMENTE a una fuente de agua capaz de suministrar más de 5 GPM (18.9 l) y de 25 a 75 psi (1.72 a 5.17 bar) en el extremo de la limpiadora a presión de la manguera de jardín.

5. Haga correr agua a través de la manguera de jardín para limpiar los residuos.

**AVISO** Usar un desconector de flujo de retroceso en la entrada de la bomba podría causar daños en la bomba. DEBE haber al menos 3 m (10 pies) de manguera libre entre la entrada de la limpiadora a presión y el desconector de flujo de retroceso.



**ADVERTENCIA!** El agua que ha fluido a través del desconector de flujo de retroceso se considera no potable.

6. Conecte la manguera de jardín (4,C) (que no exceda los 15 m (50 pies)) a la entrada de agua (4,B) y apriete.
7. Abra el agua, apunte con la pistola hacia una dirección segura, presione el botón de bloqueo del gatillo (5,A) y apriete el gatillo para eliminar el aire del sistema.
8. Conecte la extensión de la boquilla (3,L) a la pistola rociadora (3,A). Apriete a mano.
9. Tire hacia atrás el anillo de la extensión de la boquilla (7,A), inserte la boquilla 7 en 1 (7,B), y libere el anillo. Tire de la boquilla para comprobar que esté bien sujeta. Vea *Boquilla 7 en 1*.

### Arranque la limpiadora a presión Figura 3 9



**¡ADVERTENCIA!** El agua rociada podría salpicar o propulsar objetos, lo que puede provocar lesiones graves. Lleve siempre gafas de seguridad con ventilación indirecta (para salpicaduras químicas) que indiquen que cumplen con ANSI Z87.1 al usar este equipo o estar cerca del mismo.

1. Presione el interruptor principal de encendido/apagado (3,E) a la posición de apagado (0).



**¡ADVERTENCIA!** Riesgo de electrocución. El uso de un cable de extensión podría provocar una descarga eléctrica o quemaduras que pueden provocar lesiones graves o la muerte. NO use un cable de extensión con esta limpiadora a presión eléctrica. Es posible que el enchufe del circuito eléctrico de su casa o su cable de extensión no cuenten con la protección de un dispositivo portátil para corrientes residuales.

2. Conecte el cable de alimentación eléctrica (3,G) a un circuito eléctrico específico con capacidad para 220-240 voltios de CA a 10 amperios, instalado adecuadamente de acuerdo con todos los códigos y las ordenanzas locales. El circuito no debe suministrar electricidad a ninguna otra necesidad eléctrica.
3. Presione el botón RESET (REINICIO) (8,C). La luz indicadora (8,B) debe estar encendida.

**AVISO** La luz indicadora debe estar encendida para que la limpiadora a presión eléctrica funcione.

4. Presione el botón TEST (PRUEBA) (8,A). La luz indicadora (8,B) debe estar apagada.
5. Presione el botón RESET (REINICIO) (8,C). La luz indicadora (8,B) debe estar encendida.



**¡ADVERTENCIA!** Riesgo de electrocución. Un PRCD que no funcione podría provocar la muerte o lesiones corporales. Si la luz indicadora no permanece encendida después de la prueba y el reinicio, no use el PRCD.

6. Coloque el interruptor principal de encendido/apagado en la posición de encendido (I).
7. Apunte la pistola hacia una dirección segura, presione el botón de bloqueo del gatillo y apriete el gatillo.

El motor de arrancará y se detendrá conforme el gatillo de la pistola rociadora se oprime y se libera.

ES

## Boquilla 7 en 1 Figura 11

La boquilla 7 en 1 le permite cambiar entre siete boquillas con patrones de rociado diferentes. Suelte el gatillo de la pistola rociadora para activar el bloqueo de seguridad antes de cambiar los patrones de rociado.

1. Seleccione el patrón de rociado deseado:
  - Seleccione el ajuste máximo de boquilla de 0° (A) para superficies rebeldes o de difícil acceso, como en superficies de plantas altas o para eliminar pintura, manchas de aceite, óxido u otras sustancias resistentes (alquitrán, resina, grasa, cera, etc.).
  - Seleccione el ajuste general de boquilla de 15° (B) para tareas de limpieza más difíciles. Ideal para eliminar grasa y tierra de superficies duras. También puede quitar pintura cuando se sostiene a un ángulo de 45°.
  - Seleccione el ajuste suave de boquilla de 40° (C) para una limpieza suave de automóviles/camiones, barcos, vehículos recreativos, muebles de jardín, cortadoras de césped, etc.
  - Seleccione la boquilla de rocío en abanico (D) para obtener un alto flujo, óptimo para enjuagar suciedad y residuos ligeros.
  - Seleccione la boquilla de rociado en abanico con jabón (F) para la limpieza de superficies delicadas de automóviles, camiones, juegos para niños, muebles de jardín, etc.
  - Seleccione la boquilla de alcance extendido (G) para obtener un alto flujo rápido y largo alcance para la limpieza de recubrimientos y ventanas de plantas altas.
  - Seleccione la boquilla de alcance extendido con jabón (H) para aplicar jabón a recubrimientos y ventanas de plantas altas.
2. Gire la perilla hasta que el patrón de rocío deseado quede alineado con la flecha de la boquilla 7 en 1.

### Consejos de uso

- Para una limpieza más eficaz, mantenga la boquilla a una distancia de 20 a 61 cm (8 a 24 pulg.) de la superficie a limpiar.
- Si acerca demasiado la boquilla, especialmente al usar una boquilla de alta presión, podría dañar la superficie que está limpiando.
- NO se acerque a menos de 15 cm (6 pulg.) al limpiar llantas.

### Aplicación de detergente Figura 3



**¡ADVERTENCIA!** Los productos químicos podrían causar quemaduras que resulten en la muerte o en lesiones graves. NO use líquido cáustico con una limpiadora a presión. Use SOLO detergentes/jabones aptos para uso en limpiadoras a presión. Siga las instrucciones del fabricante.

#### Para aplicar detergente, siga estos pasos:

1. Retire la tapa del depósito de detergente (D) y llénelo con solución de detergente. Vuelva a colocar la tapa.
2. Asegúrese de que una de las boquillas de patrón de rociado con jabón está seleccionada en la boquilla 7 en 1.

**AVISO** No se puede aplicar detergente con boquillas de alta presión (máxima, general, delicada, rociado en abanico o de alcance extendido).

3. Aplique detergente a una superficie seca, empezando por la porción inferior del área que se desea lavar y continuando hacia arriba, usando movimientos largos, uniformes y que se superpongan.
4. Permita que el detergente penetre según las instrucciones del fabricante antes de lavar y enjuagar.

### Enjuague con la limpiadora a presión

1. Seleccione la boquilla de alta presión deseada.



**¡ADVERTENCIA!** El retroceso de la pistola rociadora podría hacerle caer, pudiendo causar la muerte o lesiones graves. Utilice la limpiadora a presión desde una superficie estable. Tenga mucho cuidado si debe utilizar la limpiadora a presión desde una escalera de mano, un andamio o cualquier otra posición similar. Agarre firmemente la pistola con ambas manos al usar el rociado de alta presión para evitar lesiones debido al retroceso de la pistola rociadora.

2. Aplique un rociado de alta presión a un área pequeña y compruebe la superficie en busca de daños. Si no se encuentra ningún daño, continúe enjuagando.
3. Comience en la parte superior del área a enjuagar, bajando con los mismos movimientos en superposición que usó para limpiar.

### Detener la limpiadora a presión Figura 3

1. Suelte el gatillo de la pistola rociadora.
2. Coloque el interruptor principal de encendido/apagado (E) en la posición de apagado (0).

**AVISO** Al soltar el gatillo se apaga el motor, pero no se interrumpe el suministro eléctrico a la unidad.

3. Cierre el suministro de agua.
4. SIEMPRE apunte con la pistola rociadora hacia una dirección segura, oprima el botón de bloqueo del gatillo y apriete el gatillo para aliviar la presión acumulada en la unidad.



**¡ADVERTENCIA!** El chorro de agua a alta presión que este equipo produce podría atravesar la piel y los tejidos subcutáneos, causando lesiones graves y la posible amputación de un miembro. Mantenga la manguera de alta presión conectada a la bomba y la pistola rociadora mientras el sistema esté presurizado. NO permita que ningún NIÑO juegue con la limpiadora a presión ni que la opere. SIEMPRE apunte con la pistola rociadora hacia una dirección segura y apriete el gatillo de la pistola para liberar la alta presión, cada vez que apague la limpiadora a presión.

5. Desconecte el enchufe de PRCD (G) del tomacorriente y enrolle el cable de alimentación en el gancho inferior de la bandeja de accesorios.
6. Enrolle la manguera de alta presión y almacénela en el gancho superior de la bandeja de accesorios.
7. Almacene la boquilla de alta presión de color rojo en el extremo de la extensión de la boquilla. Almacene la pistola rociadora, la extensión de la boquilla y la boquilla 7 en 1 en la bandeja de accesorios.

## Después de cada uso

No debe quedar agua en la unidad durante largos períodos de tiempo. Los sedimentos o minerales pueden depositarse en partes de la bomba y “congelar” su funcionamiento. Siga estos procedimientos después de cada uso:

1. Haga funcionar la limpiadora a presión con una boquilla rociadora para jabón hasta que el tanque esté vacío.
2. Añada 0.5 litros de agua al tanque de detergente y opere la limpiadora con una boquilla rociadora para jabón. Enjuague por uno o dos minutos.
3. Coloque el interruptor principal de encendido/apagado en la posición de apagado (0). Retire el enchufe del cable de alimentación del tomacorrientes.
4. Cierre el suministro de agua. Apunte la pistola hacia una dirección segura, oprima el botón de bloqueo del gatillo y apriete el gatillo para aliviar la presión acumulada.
5. Desconecte la manguera de jardín de la entrada de agua. Desconecte la manguera de alta presión de la pistola y de la salida de alta presión.
6. Drene el agua de la manguera y de la pistola rociadora y limpie todas las superficies exteriores con una tela.
7. Drene el agua de la bomba inclinando la unidad hacia el lado derecho (con la entrada de agua hacia abajo) durante dos minutos. Dé vuelta la unidad y déjela reposar sobre la toma de alta presión durante otros dos minutos.
8. Enrolle la manguera de alta presión y almacénela en el gancho superior de la bandeja de accesorios.
9. Enrolle y almacene el cable de alimentación en el gancho inferior de la bandeja de accesorios. Almacene la pistola rociadora, la extensión de la boquilla y la boquilla 7 en 1 en la bandeja de accesorios.
10. Guarde la unidad en un área limpia y seca.
11. Si se guardará durante más de 30 días, vea la sección de Almacenamiento.

## Mantenimiento

### Recomendaciones generales

El mantenimiento eléctrico regular mejorará el rendimiento y prolongará la vida útil de la limpiadora a presión. Consulte a un concesionario autorizado de Briggs & Stratton para el mantenimiento. NO permita que los niños laven o den mantenimiento a la limpiadora sin supervisión.

La garantía de la limpiadora a presión eléctrica no cubre los elementos sujetos a maltrato o negligencia del operador. Para conservar el valor pleno de la garantía, el operador debe dar mantenimiento a la limpiadora a presión de acuerdo con las instrucciones de este manual, incluyendo el almacenamiento apropiado que se detalla en la sección *Almacenamiento*.



**ADVERTENCIA!** Para asegurar la seguridad de la máquina use sólo partes originales del fabricante o aprobadas por este. En caso de dudas al cambiar componentes en su limpiadora a presión, visite nuestro sitio web en BRIGGSandSTRATTON.COM. Si el cable se daña, diríjase a un Centro de Servicio de Briggs & Stratton autorizado.

### Mantenimiento de boquillas

Limpie las boquillas para corregir la presión excesiva causada por una boquilla rociadora atascada:

1. Coloque el interruptor principal de encendido/apagado en la posición de apagado (0). Retire el enchufe del cable de alimentación del tomacorrientes.

2. Quite la boquilla 7 en 1 del extremo de la extensión de la boquilla.
3. Use un clip pequeño para liberar cualquier material extraño que esté atascando o restringiendo el flujo de la boquilla.
4. Vuelva a colocar la boquilla 7 en 1 en la extensión de la boquilla.

### Mantenimiento del empaque de anillo **Figura 10**

El uso de un lubricante (petróleo o grasa sintética) ayuda a asentar los empaques de anillo, proporcionando un mejor sello. Aplique lubricante a los empaques de anillo antes de montar la manguera de alta presión (A), la manguera de alta presión (B), pistola rociadora (C) y la varilla de plástico (D).

Compre un kit de mantenimiento de empaques de anillo poniéndose en contacto con un distribuidor autorizado de Briggs & Stratton. **NUNCA** repare las conexiones con fuga usando sellador de ningún tipo. Cambie el empaque de anillo o el sello.

### Reemplazo del fusible del dispositivo PRCD **Figura 11**



**¡ADVERTENCIA!** Para reducir el riesgo de incendio, reemplace solamente con fusibles de 13 amperios con capacidad BS 1362.

Si está equipado con un fusible en el dispositivo PRCD:

1. Localice el fusible en el lado de la pata del enchufe del dispositivo PRCD.
2. Usando un destornillador de cabeza plana, retire la cubierta (A) y el ensamblaje del fusible. Retire el fusible (B) de la cubierta. Reemplace el fusible con un fusible de 13 amperios con capacidad BS 1362.
3. Inserte la cubierta y el ensamblaje del fusible.

### Almacenamiento

Siga los pasos 1 a 10 en *después de cada uso*.

**AVISO** El agua que queda en la bomba podría congelarse y dañar la bomba en forma permanente. Los daños producidos por congelación no están cubiertos por la garantía.

### Protección de la bomba

Para proteger la bomba de los daños causados por depósitos minerales o congelación, use PumpSaver para impedir daños por congelación y lubricar los pistones y los sellos.

**AVISO** No proteger la unidad ante temperaturas de congelación dañará la bomba y hará que la unidad quede inutilizable. Los daños producidos por congelación no están cubiertos por la garantía.

### Sugerencias finales para el almacenamiento

1. Enrolle la manguera de alta presión y almacénela en el gancho superior de la bandeja de accesorios.
2. Enrolle y almacene el cable de alimentación en el gancho inferior de la bandeja de accesorios.
3. Almacene la pistola rociadora, la extensión de la boquilla y la boquilla 7 en 1 en la bandeja de accesorios.
4. Cubra la unidad con una funda adecuada que no retenga la humedad y almacénela en un lugar limpio y seco que esté protegido de las temperaturas de congelación.

# Solución de problemas

Problema	Causa	Solución
<b>La bomba presenta los siguientes problemas: no produce presión, produce presión errática, traqueteo, pérdida de presión, bajo volumen de agua.</b>	<ol style="list-style-type: none"> <li>1. La entrada de agua está bloqueada.</li> <li>2. Suministro de agua inadecuado.</li> <li>3. La manguera de entrada está retorcida o tiene fugas.</li> <li>4. El filtro de entrada de agua está obstruido.</li> <li>5. La punta de la boquilla está obstruida.</li> </ol>	<ol style="list-style-type: none"> <li>1. Despejar la entrada.</li> <li>2. Suministrar un flujo de agua adecuado.</li> <li>3. Estirar la manguera de jardín o reemplazarla si presenta fugas.</li> <li>4. Limpiar o reemplazar el filtro de entrada de agua.</li> <li>5. Limpiar la punta de la boquilla.</li> </ol>
<b>La unidad no arranca cuando se aprieta el gatillo de la pistola rociadora.</b>	<ol style="list-style-type: none"> <li>1. El suministro de agua no está abierto.</li> <li>2. La unidad no está encendida.</li> <li>3. La manguera de jardín es demasiado larga.</li> <li>4. Se fundió un fusible o se activó el disyuntor.</li> </ol>	<ol style="list-style-type: none"> <li>1. Abra el suministro de agua.</li> <li>2. Coloque el interruptor principal de encendido/apagado en la posición de encendido (I). Reinicie el PRCD.</li> <li>3. Use solamente una manguera de jardín con una longitud máxima de 15.24 m (50 pies).</li> <li>4. a.) Cambie el fusible o reinicie el disyuntor.</li> <li>5. b.) Desconecte otros aparatos eléctricos y apague las luces en el circuito u opere la limpiadora en su propio circuito dedicado. c.) Opere por 5 minutos con la boquilla rociadora turbo.</li> </ol>
<b>El detergente no se mezcla con el rocío.</b>	<ol style="list-style-type: none"> <li>1. Tiene instalada una boquilla de alta presión</li> <li>2. La presión de alimentación de entrada de agua es demasiado alta.</li> </ol>	<ol style="list-style-type: none"> <li>1. Instale la boquilla rociadora negra adecuada.</li> <li>2. Cierre lentamente la válvula de alimentación de agua hasta que la sustancia química empiece a fluir.</li> </ol>
<b>Fugas en las conexiones de las mangueras.</b>	<ol style="list-style-type: none"> <li>1. La manguera de jardín está floja en la entrada de agua.</li> <li>2. Las conexiones de la manguera de alta presión están flojas.</li> <li>3. El empaque de anillo está dañado.</li> </ol>	<ol style="list-style-type: none"> <li>1. Apriete con la mano la manguera de jardín.</li> <li>2. Quite la manguera y vuelva a instalarla.</li> <li>3. Cambie el empaque de anillo.</li> </ol>

Para cualquier otro problema, consulte a un distribuidor autorizado de Briggs & Stratton.

Especificaciones		
Presión permisible	MPa/BAR/PSI	16.0/160/2,320*
Caudal máximo	LPM/GPM	15.0/4.0*
Presión y caudal nominales	MPa/BAR/PSI @ LPM/GPM	12/120/1,740 a 5.5/1.45
Temperatura del suministro de agua	°C/°F	38/100
Voltaje nominal	V	220 - 240
Frecuencia nominal	Hz	50/60
Consumo eléctrico	W	2,500
Corriente	A	9.0
Clase de protección	Clase	Clase II
Grado de protección	IP xx	IPX5
Vibración en mano-brazo $a_{hd}$ Incertidumbre K	$m/s^2$ $m/s^2$	$\leq 2.5^*$ $0.2^*$
Nivel de Presión de Ruido $L_{pA}$ Incertidumbre $K_{pA}$	$dB(A)$ $dB(A)$	$74^*$ $2^*$
Nivel de potencia del ruido $W_A$	$dB(A)$	$94^*$
Garantizado potencia de sonido nivel $L_{WA_d}$	$dB(A)$	$96^*$

\* Per EN 60335-2-79: 2012.

# Declaración de Conformidad CE

## Lavorwash spa

Via J.F. Kennedy, 12 – 46020 Pegognaga (MN) – Italia

La publicación de esta Declaración de Conformidad es responsabilidad exclusiva del fabricante. Por la presente se certifica que los productos indicados en este documento están en conformidad con la legislación de armonización pertinente de la Unión Europea y que pueden ostentar la marca CE. Estos modelos cumplen con las siguientes Directivas y Normas relacionadas.

**Producto:** Lavadora de alta presión

**Modelo - Tipo:** BPW1800PX



### Directivas de la Unión Europea

2006/42/EC (+2009/127/EC)

2006/95/EC

2004/108/EC

2000/14/EC (+2005/88/EC)

2011/65/EU (+2015/863/EU)

2014/35/EU ≥ 2016-04-20

2014/30/EU ≥ 2016-04-20

### Normas

EN 60335-1:2012

EN 60335-2-79:2012

EN 62233:2008

EN 55014-1:2006+A1:2009+A2:2011

EN 55014-2:1997+A1:2001+A2:2008

EN 61000-3-2:2006+A1:2009+A2:2009

EN 61000-3-3:2013

EN 50581:2012

### Nivel de potencia sonora

dB(A) medidos: **94**

dB(A) garantizados: **96**

2000/14/EC: Este artefacto está definido en el N° 27 del Anexo I. Procedimiento de evaluación de conformidad de acuerdo con el Anexo V.

El expediente técnico está guardado en Lavorwash spa, via J.F.Kennedy, 12 - 46020 Pegognaga (MN) – Italia.

Lavorwash S.p.A  
via J.F. Kennedy, 12  
46020 Pegognaga  
(MN) - Italia Pegognaga, 15 de octubre de 2015

Giancarlo Lanfredi  
Gerente General

**GARANTÍA LIMITADA**

Briggs & Stratton garantiza que, durante el período de garantía especificado a continuación, reparará o reemplazará, sin cargo, cualquier pieza defectuosa en cuanto a material, mano de obra o ambos. Los gastos de transporte del producto sometido a reparación o cambio conforme a garantía estarán a cargo del comprador. Esta garantía se mantiene vigente durante los períodos de tiempo indicados a continuación y está sujeta a dichos períodos y a las condiciones que se indican a continuación. Para servicio de garantía, localice al distribuidor de servicio autorizado más cercano en nuestro mapa de localización de distribuidores en BRIGGSandSTRATTON.COM. El comprador debe ponerse en contacto con el distribuidor de servicio autorizado y entregarle el producto para la inspección y prueba.

**No existe ninguna otra garantía explícita. Las garantías implícitas, incluidas las de comerciabilidad y aptitud para una finalidad específica, están limitadas al período de garantía mencionado a continuación, en la medida que lo permita la ley. La responsabilidad por daños fortuitos o consecuentes queda excluida en la medida que dicha exclusión esté permitida por ley.** Algunos estados o países no permiten limitaciones en cuanto a la duración de una garantía implícita, y algunos estados o países no permiten la exclusión o limitación de daños consecuentes o incidentales, en cuyo caso la limitación y la exclusión anteriores pueden no ser aplicables a usted. Esta garantía le otorga determinados derechos legales y es posible que tenga otros derechos que pueden variar de un país o estado a otro.\*\*

**PERÍODO DE GARANTÍA**

Uso Privado	Uso Comercial
12 meses	Ninguno

\*\* En Australia – Nuestros productos vienen con garantías que no pueden excluirse bajo la Ley Australiana del Consumidor. Usted tiene derecho a un reemplazo o a un reembolso por una avería mayor y a compensación por cualquier otra pérdida o daño razonablemente previsible. También tiene derecho a la reparación o el reemplazo de los productos si éstos no son de una calidad aceptable y la falla no equivale a una gran falla. Para obtener servicio de garantía, localice al distribuidor de servicio autorizado más cercano en nuestro mapa de localización de distribuidores en BRIGGSandSTRATTON.COM, o llame al 1300 274 447, o envíe un correo electrónico a salesenquiries@briggsandstratton.com.au, o escriba a Briggs & Stratton Australia Pty Ltd, 1 Moorebank Avenue, NSW, Australia, 2170.

El período de garantía comienza a partir de la fecha de compra por el primer cliente de venta minorista o comercial. "Uso privado" significa uso doméstico residencial personal por un consumidor minorista. "Uso comercial" significa todos los demás usos, como el uso para fines comerciales, de producción de ingresos o de alquiler. Una vez que el producto haya experimentado uso comercial, será considerado en adelante como producto de uso comercial para fines de esta garantía.

Para asegurar una rápida y completa cobertura de la garantía, registre su producto en la web que se muestra arriba o en [www.onlineproductregistration.com](http://www.onlineproductregistration.com), o envíe por correo la tarjeta de registro contestada (si se proporcionó), o llame al 1-800-743-4115 (en EE.UU.).

Guardé su recibo de compra. Si no proporciona un comprobante de la fecha de compra inicial al solicitar el servicio de garantía, se tomará la fecha de fabricación del producto para determinar el período de garantía. No se requiere el registro de producto para obtener servicio de garantía en los productos de Briggs & Stratton.

**ACERCA DE SU GARANTÍA**

El servicio de garantía sólo está disponible a través de los distribuidores de servicio autorizados de Briggs & Stratton. La mayor parte de las reparaciones en el período de garantía se atienden de manera rutinaria, pero algunas veces las peticiones para el servicio de garantía pueden no ser apropiadas. Esta garantía solamente cubre defectos de material y mano de obra. Esta no cubre daños causados por uso inadecuado o maltrato, mantenimiento o reparación inapropiadas, desgaste normal o combustible caducado o no aprobado.

**Uso inadecuado y maltrato**- El uso adecuado, para el cual está diseñado este producto, se describe en el Manual del operador. El uso del producto de una manera no descrita en el Manual del operador y el uso del producto después de que ha sido dañado no están cubiertos por esta garantía. Tampoco se ofrecerá la garantía si se ha retirado el número de serie del producto o si éste ha sido alterado o modificado de cualquier manera, o si el producto tiene evidencias de maltrato, tales como daños por impacto o daños por corrosión por agua o sustancias químicas.

**Mantenimiento o reparación inapropiados** - Este producto debe recibir mantenimiento según los procedimientos y cronogramas provistos en el Manual del operador, y se le debe dar servicio o reparar utilizando partes Briggs & Stratton genuinas o equivalentes. El daño causado por falta de mantenimiento o por el uso de partes no originales no está cubierto por la garantía.

**Desgaste normal**- Como la mayoría de los dispositivos mecánicos, su unidad está sujeta a desgaste incluso cuando recibe mantenimiento apropiado. Esta garantía no cubre reparaciones cuando el uso normal ha agotado la vida útil de una pieza o del equipo. El mantenimiento y desgaste de piezas tales como filtros, correas, cuchillas de corte y zapatas de freno (excepto las zapatas de freno del motor) no están cubiertas por la garantía debido solo a las características de desgaste, a menos que la causa se deba a defectos de materiales o mano de obra.

**Combustible en mal estado o no aprobado** - Para funcionar correctamente, este producto requiere el uso de combustible fresco que cumpla con los criterios especificados en el Manual del operador. Cualquier daño causado al motor o al equipo debido al uso de combustible caducado o no aprobado (como las mezclas de etanol E85 o E15) no estará cubierto por la garantía.

**Otras exclusiones** - Esta garantía no cubre los daños debidos a accidente, maltrato, modificaciones, alteraciones, mantenimiento inadecuado, congelación o deterioro químico. Los accesorios que no viniesen en el paquete original del producto también se excluyen. La garantía no cubre el uso de equipo como fuente de alimentación principal en lugar de una toma de corriente habitual, o en equipo utilizado en aplicaciones de soporte vital. Esta garantía no incluye equipos o motores usados, reacondicionados, de segunda mano o de demostración. Esta garantía también excluye las fallas por casos fortuitos y otros casos de fuerza mayor que el fabricante no puede controlar.

80011059\_EN Rev -

## Sisukord

Ohutust ja juhtimist puudutavad tingmargid . . . . .	4
Seadme kirjeldus . . . . .	4
Kokkumonteerimine . . . . .	5
Osad ja juhtseadised . . . . .	5
Kasutamine . . . . .	5
Hooldamine . . . . .	7
Hoiundamine . . . . .	7
Probleemide lahendamine . . . . .	8
Tehnilised andmed . . . . .	8
Garantii . . . . .	10

## Ohutust ja juhtimist puudutavad tingmargid

Ohutustingimärgi võidakse kasutada ohutegurit tüübi kujutamiseks. **HOIATUS** tähistab ohutegurit, mille realiseerumisel võib tulemuseks olla surm või ränk kehavigastus. **MÄRKUS** juhhib tähelepanu juhistele, mille eiramisega ei kaasne kehavigastuste ohtu.

et



Lugege kasutusjuhendit



Elektrilööök



Tuleoht



Keemiline põletus



Mittejoodav vesi



Vedeliku pritsimine



Lendavad objektid



Ohumärk



Sees



Väljas



Kukkumine



Pihustuspüstolit ei tohi suunata endale, teistele inimestele ega loomadele. Juga ei tohi suunata elektriseadmele, sh survepesurile endale ega selle lähedusse.

Seade ei ole mõeldud kasutamiseks inimestele (k.a lastele), kes on füüsilise või vaimse puudega või kellel ei ole vajalikke kogemusi ja teadmisi, v.a juhul kui nad on järelevalve all ning neid juhendatakse seadet ohutult kasutama ja selgitatakse kaasnevaid ohte.

### HOIATUS

- Selle seadme puhul tohib kasutada üksnes selliseid puhastusaineid, mille on tarninud või mida on soovitanud tootja. Muude puhastusainete või kemikaalide kasutamine võib kahjustada seadme ohutust.
- Kõrgsurvejuga võib vale kasutamise korral olla ohtlik. Ärge suunake juga inimeste, voolu all olevate elektriseadmete ega pesuri enda suunas.

- Ärge kasutage seadet kaitseriietuseta isikute vahetus läheduses.
- Ärge suunake juga riiete ja jalatsite puhastamiseks enda ega kellegi teise suunas.
- Plahvatusoht – seadmega ei tohi pihustada tuleohtlikke vedelikke.
- Kõrgsurvepesureid ei tohi kasutada lapsed ega isikud, kellel puuduvad vastavad kogemused ja teadmised.
- Kõrgsurvevoolikud, liitmikud ja muhvid on seadme ohutuse tagamisel ülimalt tähtsad. Kasutage üksnes selliseid kõrgsurvevoolikuid, liitmikke ja muhve, mida seadme tootja on soovitanud.
- Masina ohutuse tagamiseks kasutage ainult tootjalt hangitud või tootja heaks kiidetud originaalvaruosi.
- Tagasivoolu sulgeseadmest läbi voolanud vett peetakse mittejoodavaks.
- Enne puhastamist või hooldamist ja osade vahetamist tõmmake seadme vooluvõrgust eemaldamiseks elektripistik pistikupesast välja.
- Ärge kasutage seadet, kui selle juhe või seadme olulised osad, nagu ohutusseadised, kõrgsurvevoolikud, päästik vms, on kahjustatud.
- Selle elektrilise survepesuriga ei tohi kasutada pikendusjuhet.
- Enne seadme järelevalveta jätmist lülitage toitelüliti alati välja.

## Seadme kirjeldus



Lugege käesolev kasutusjuhend tähelepanelikult läbi ja tutvuge survepesuriga. Tutvuge rakenduste, piirangute ja kaasnevate ohuteguritega. Hoidke käesolev originaal kasutusjuhend edaspidiseks kasutamiseks alles.

Selle elektrilise survepesuri maksimaalne töö rõhk on 12,0 MPa (120 bar ehk 1740 psi (naela tolli kohta)) ja voolukiirus on kuni 15,00 l/min (4,0 gallonit minutis).

Oleme teinud enda poolt kõik selle tagamiseks, et teave käesolevas kasutusjuhendis oleks õige ja ajakohane. Siiski jätame endale õiguse toodet ja käesolevat dokumenti igal ajal etteatamiseta muuta, kohendada ja muidu täiustada.

**MÄRKUS** Kui teil on küsimusi sihtotstarbe kohta, küsige edasimüüja käest või pöörduge kvalifitseeritud hoolduskeskusse. **ÄRGE KUNAGI** kasutage seadmeid, millel on purunenud või puuduvad osi või mis on ilma kaitsekesta või -kateteta. **ÄRGE** mööduge ühestki masinal olevast ohutusseadmest. **ÄRGE** muutke survepesurit mingil viisil. Seade on mõeldud kasutamiseks **AINULT** osadega, mis on kiidetud heaks tootja Briggs & Stratton toodetele.

### POWERflow+ tehnoloogia

Briggs & Strattoni POWERflow+ tehnoloogia on süsteem, mille komponendid võimaldavad koos talitledes saavutada suurt vooluhulka. POWERflow+ liikumapanevaks jõuks kõrge rõhuga pesurežiimi ja kõrge vooluga pesurežiimi pakkuv pump, mis võimaldab pesta kaugelt, kiiresti pesuainet pinnale kanda ja kiiresti maha loputada.

### Kaasaskantava jääkvooluseadme kaitse

See survepesur on varustatud kaasaskantava jääkvooluseadmega (PRCD), mis on integreeritud toitejuhtme pistikusse. See seade pakub lisakaitset elektrilöögi ohu eest. PRCD pakub 10 mA kaitset.

## Automaatne väljalülitamine

Andur lülitab mootori välja, kui pihustuspüstoli päästik vabaneb või lukustub. ÄRGE KASUTAGE SEADET, kui mootor töötab edasi siis, kui pihustuspüstoli päästik on vabastatud või lukus. Pöördege Briggsi & Strattoni volitatud esindusse.

**MÄRKUS** Kui survepesurit ei kasutata, siis peaks SEES/VÄLJAS lüliti olema alati asendis VÄLJAS (0).

## Mootori ülekoormus

Ülekoormuse kaitseseade lülitab mootori automaatselt välja, kui see kuumeneb üle või kasutab liigvoolu. Seadme mahakukkumise korral eemaldage toide, vajutades SEES/VÄLJAS lüliti asendisse VÄLJAS (0). Laske seadmel 30 minutit jahtuda ja vajutage SEES/VÄLJAS lüliti asendisse SEES (I).

## Kasutusest kõrvaldamise eeskirjad ELis



See sümbol näitab, et patareide/akude ning elektri- ja elektroonikaseadmete omanik ei tohi toodet kasutusest kõrvaldada sortimata olmejäätmete hulgas. Toode tuleb kasutusest kõrvaldada, viies toote selleks ettenähtud jäätmekogumiskohta. Lisateavet toote kasutusest kõrvaldamise kohta saate tootjalt Briggs & Stratton või kohalikult jaemüüjalt.

## Kokkumonteerimine

### Tugivoolikute ja käepideme paigaldamine

#### Joonis 1 2

1. Libistage toed (1,A) pesadesse. Joondage ja kinnitage kruvidega (1,B). Säilitage kruvide pingutamise ajal õige joendus.
2. Paigutage käepide (2,A) tugelele ja joondage avad.
3. Sisestage ümarpeaga puidupoldid (2,B) läbi avade seadme seest, kinnitage plastnupuga (2,C) ja pingutage.

### Osad ja juhtseadised Joonis 3

A	Pihustuspüstol	G	Elektrijuhe koos PRCD-ga
B	Seitsmeasendiline otsak	H	Tunnussilt
C	Põhjaalus	J	Veevarustuse sisend
D	Pesuaine mahuti	K	Kõrgsurve-väljalaskeava
E	SEES/VÄLJAS põhilüliti	L	Otsakupikendus
F	Kõrgsurvevoolik		

## Kasutamine

### Vooliku ja veevarustuse ühendamine Joonis 3

#### 4 6

**MÄRKUS** Kasutage AINULT külma vett (alla 38 °C (100 °F)).

1. Keerake kõrgsurvevoolik (3, F) pihustuspüstolisse (3, A).
2. Kinnitage sinine kõrgsurvevoolik (3,F) väljalaskeavale (3,K) ja pinguldage.
3. Veenduge, et vee sisselaske sõel ja must kummist tihendusrõngas oleks paigaldatud vee sisselaske ühendusdetailile (4,A).
4. Kinnitage vee sisselaske ühendusdetail (4,B) vee sisselaskele ja pinguldage.

**MÄRKUS** Parimate tulemuste saamiseks ühendage AINULT selline veallikas, mis suudab tagada kastevooliku survepesuriga ühendatavas otsas voolukiiruse 18,9 l/min (5 gal/min) ja rõhu 1,72–5,71 bar (25–75 psi).

5. Laske prügi eemaldamiseks veel läbi kastmisvooliku voolata.

**MÄRKUS** Tagasilöögiklapi kasutamine pumba sisendil võib põhjustada pumba kahjustumist. Survepesuri sisendi ja tagasilöögiklapi vahel PEAB olema vähemalt 3 m (10 jalga) takistusteta kastmisvoolikut.



**HOIATUS!** Tagasilöögiklapist läbi voolanud vett peetakse joogikõlbmatuks.

6. Ühendage kastmisvoolik (4,C) (mitte üle 15 m (50 jalga)) vee sisselaskeavaga (4,B) ja pinguldage.
7. Lülitage veevarustus SISSE, suunake pihustuspüstol ohutus suunas, vajutage päästiku lukustusnuppu (5,A) ning vajutage seejärel päästikut süsteemist õhu väljutamiseks.
8. Ühendage otsakupikendus (3,L) pihustuspüstoliga (3,A). Pinguldage käsitsi.
9. Tõmmake otsakupikenduse krae (7,A) tagasi, sisestage seitsmeasendiline otsak (7,B) ja vabastage krae. Sikutage pihustusotsakust, et veenduda, et see on kindlalt paigas. Vt *Seitsmeasendiline otsak*.

### Käivitage survepesur Joonis 3 9



**HOIATUS!** Pihustus võib pritsida tagasi või lennutada esemeid, mis põhjustab raskeid vigastusi. Kasutamise või seadmete läheduses viibimise ajal kandke alati kaudse õhustusega (kemikaalipritsekindlaid) kaitseprille, millel on märgis vastavuse kohta standardile ANSI Z87.1.

1. Vajutage SEES/VÄLJAS põhilüliti (3,E) asendisse VÄLJAS (0).



**HOIATUS!** Elektrilöögi oht. Kokkupuude vooluallikaga võib põhjustada elektrilööki või põletusi, mis võivad lõppeda surma või raskete vigastustega. ÄRGE kasutage selle elektrilise survepesuriga pikendusjuhet. Teie majapidamise pistikupesa või pikendusjuhe ei pruugi pakkuda elutähtsat lekkevoolukaitset.

2. Sisestage toitejuhtme (3,G) pistik pistikupessa, mille nimipinge on 10 ampri juures 220-240 volti (vahelduvvool) ja mis on õigesti paigaldatud kohalike eeskirjade ja korralduste järgi.
3. Vajutage nuppu RESET (Lähtestamine) (8,C). Märgutuli (8,B) peab märgutuli PÕLEMA.

**MÄRKUS** Elektrilise survepesuri toimimiseks peab märgutuli PÕLEMA.

4. Vajutage nuppu TEST (8,A). Märgutuli (8,B) peab olema KUSTUNUD.
5. Vajutage nuppu RESET (Lähtestamine) (8,C). Märgutuli (8,B) peab märgutuli PÕLEMA.



**HOIATUS!** Elektrilöögi oht. Kui PRCD ei tööta, võib tagajärjeks olla surm või kehavigastus. Kui märgutuli ei PÕLE püsivalt pärast testimist ja lähtestamist, siis ärge PRCD-d kasutage.

6. Vajutage SEES/VÄLJAS põhilüliti asendisse SEES (I).
7. Suunake pihustuspüstol ohutus suunas, vajutage päästiku lukustusnuppu ning vajutage seejärel päästikut.

Mootor hakkab tööle pihustuspüstoli päästiku vajutamisel ja lakkab töötamast päästiku vabastamisel.

## Seitsmeasendiline otsak Joonis 11

Seitsmeasendiline otsak võimaldab valida seitsme erineva joakuju vahel. Enne joakujude vahetamist vabastage pihustuspüstoli päästik, et rakendada ohutuslukustus.

1. Valige soovitud joakuju järgmiselt.
  - 0° maksimaalse surve otsak (**A**) sobib kaugeleulatuva joa saamiseks ja värvi, õliplekkide, rooste või muude rasketieemaldatavate ainete (tõrv, näts, rasv, vaha jne) eemaldamiseks.
  - 15° üldotstarbeline otsak (**B**) sobib raskete puhastustööde jaoks. Ideaalne rasva ja mustuse eemaldamiseks kõvadelt pindadelt. 45° nurga all hoidmisel sobib ka värvi eemaldamiseks.
  - 40° õrnpesuotsak (**C**) sobib autode, paatide, autosuvilate, aiapäikese, aiamašinate jms õrnpesuks.
  - Lehvikjoa otsak (**D**) sobib kõrge voolukiiruse tõttu kerge pori ja prügi ärauhutamiseks.
  - Seebiga lehvikotsak (**F**) sobib õrnade pindade, näiteks autode, mänguasjade, aiapäikese jms pinna õrnaks pesuks.
  - Suure ulatusega otsak (**G**) sobib kiireks suure vooluga puhastamiseks ning teise korruse seinte ja akende pesuks.
  - Suure ulatusega seebiotsak (**H**) sobib teise korruse seinte ja akende seebitamiseks.
2. Pöörake pöördnuppu, kuni soovitud joakuju tähis on seitsmeasendilise otsaku noolega kohakuti.

### Kasutusala näpunäiteid

- Tulemuslikumaks puhastuseks hoidke puhastusotsakut 20–61 cm (8–24 tolli) kaugusel puhastatavast pinnast.
- Kui pihustusotsak satub liiga lähedale, eriti kõrgsurveotsakut kasutades, võite kahjustada puhastatavat pinda.
- Rehvide puhastamisel ÄRGE pihustage lähemalt kui 15 cm (6 tolli).

### Pesuaine pihustamine Joonis 3



**HOIATUS!** Kemikaalid võivad tekitada põletusi, mis võivad põhjustada surma või raskeid vigastusi. ÄRGE kasutage survipesuriga soovimatavat vedelikku. Kasutage AINULT pesuainet/seepi, mida võib kasutada survepesuris. Järgige tootja juhiseid.

#### Pesuaine pinnale kandmiseks toimige järgmiselt.

1. Eemaldage pesuaine mahuti kork (**D**) ja täitke see pesuainelahusega. Nööri vahetamine.
2. Veenduge, et seitsmeasendilisel otsakul on valitud üks seebiga joakujudest.

**MÄRKUS.** Seebitada ei saa kõrgsurveotsakutega (maksimaalse survega, üldotstarbeline, õrnpesu, lehvikjoa või suur ulatus).

3. Kandke pesuainet kuivale pinnale alates pestava piirkonna alaosast ja liikuge üles, kasutades pikki, ühtlasi, kattuvaid tõmbeid.
4. Enne pesu ja loputust laske pesuainel vastavalt tootja juhistele mõjuda.

## Survipesuri loputamine

1. Valige soovitud kõrgsurveotsak.



**HOIATUS!** Tagasilöökk pihustuspüstolilt võib põhjustada teie kukkumist, mis võib lõppeda surma või raskete vigastustega. Kasutage survepesurit püsival pinnal. Olge äärmiselt ettevaatlik, kui peate kasutama survepesurit redeliit, tellingutelt või muust samasest kohast. Kõrgsurvepihustuse kasutamisel haarake kindlalt pihustuspüstolist mõlema käega, et hoida ära vigastused, kui pihustuspüstol pörkab tagasi.

2. Suunake kõrgsurvejuga väikesele alale ja kontrollige pinda kahjustuste suhtes. Kui kahjustusi ei leidu, jätkake loputamist.
3. Alustage loputatava piirkonna ülaosast, liikudes alla samade kattuvate tõmmetega, mida kasutate puhastamiseks.

### Survipesuri peatamine Joonis 3

1. Vabastage pihustuspüstoli päästik.
2. Vajutage SEES/VÄLJAS põhilüliti (**E**) asendisse VÄLJAS (0).

**MÄRKUS** Päästiku vabastamisel lülitub mootor välja, kuid seadme elektritoite ühendus säilib.

3. Lülitage veevarustus välja.
4. Suunake pihustuspüstol KINDLASTI ohutus suunas, vajutage päästiku lukustusnuppu ja pigistage päästikut seadme surve vabastamiseks.



**HOIATUS!** Kõrgsurvel veejuga, mis seade tekitab, võib lõigata läbi naha ja nahaaluste kudede, põhjustades raskeid vigastusi ning võib-olla amputatsiooni. Säilitage kõrgsurvevooliku pidev ühendus pumba ja pihustuspüstoliga, kui süsteem on surve all. ÄRGE lubage LASTEL survepesurit kasutada. Pärast survepesuri väljalülitamist suunake pihustuspüstol KINDLASTI ohutus suunas ja pigistage pihustuspüstoli päästikut, et surve vabastada.

5. Eraldage PRCD pistik (**G**) elektrivõrgust ja kerige juhe lisaseadmete aluse alumise konksu ümber.
6. Kerige kõrgsurvevoolik lisaseadmete aluse ülemise konksu ümber.
7. Jätke otsakupikenduse otsa punane kõrgsurveotsak. Jätke pihustuspüstol, otsakupikendus ja seitsmeasendiline otsak lisaseadmete alusele.

### Pärast iga kasutamist

Vesi ei tohi pikaks ajaks seadmesse jääda. Pumba osadele võib koguneda sadestisi ja mineraale ning need võivad halvata pumba toimimise. Pärast iga kasutuskorda rakendage järgnevaid menetlusi.

1. Käitage survepesurit seebipihustusotsakuga seni, kuni mahuti on tühi.
2. Lisage pesuaine mahutisse 0,5 liitrit vett ja käitage seadet seebipihustusotsakuga. Loputage üks kuni kaks minutit.
3. Vajutage SEES/VÄLJAS põhilüliti asendisse VÄLJAS (0). Eemaldage toitejuhtme pistik elektrivõrgust.
4. Keerake vesi kinni. Suunake pihustuspüstol ohutus suunas, vajutage päästiku lukustusnuppu ja vajutage seejärel päästikut surve vabastamiseks.
5. Eraldage kastmisvoolik vee sisselaskeavalt. Eraldage kõrgsurvevoolik püstolist ja kõrgsurve-väljalaskeavalt.

- Eemaldage voolikust ja püstolist vesi ning pühkige kõik välispinnad kuivaks.
- Eemaldage vesi pumbast, keerates seadme kaheks minutiks paremale küljele (nii et vee sisselaskeava jääb allapoole). Keerake seade ümber ja jätke kaheks minutiks asendisse, kus kõrgsurve-väljalaskeava on allpool.
- Kerige kõrgsurvevoolik lisaseadmete aluse ülemise konksu ümber.
- Kerige toitejuhe lisaseadmete aluse alumise konksu ümber. Jätke pihustuspüstol, otsakupikendus ja seitsmeasendiline otsak lisaseadmete alusele.
- Hoiundage seadet puhtas ja kuivas kohas.
- Kui seadet ei ole plaanis rohkem kui 30 päeva kasutada, vaadake jaotist Hoiundamine.

## Hooldus

### Üldised soovitused

Regulaarne hooldamine parandab seadme tööd ja pikendab kasutusiga. Hoolduseks pöörduge Briggs & Stratton i volitatud hooldusesindusse. ÄRGE lubage lastel seadet järelevalveta puhastada ega hooldada.

Elektrilise survepesuri garantii ei kata kasutajapoolset väärkasutust või hooletust. Garantii kehtivuse tagamiseks peab kasutaja survepesurit hooldama käesolevas juhendis kirjeldatud viisil, järgides muu hulgas ladustamisnõudeid, mida on kirjeldatud jaotises *Ladustamine*.



**HOIATUS!** Masina ohutuse tagamiseks kasutage ainult tootjalt hangitud või tootja heaks kiidetud originaalvaruosi. Kui on küsimusi survepesuri komponentide asendamise kohta, külastage meie kodulehte aadressil BRIGGSandSTRATTON.COM. Kui juhe on saanud kahjustada, pöörduge Briggs & Strattoni volitatud hoolduskeskuse poole.

### Otsaku hooldamine

Puhastage pihustusotsakut ülemäärase pumbasurve korrigeerimiseks, mida põhjustab umbes pihustusotsak.

- Vajutage SEES/VÄLJAS põhilüliti asendisse VÄLJAS (0). Eemaldage toitejuhtme pistik elektrivõrgust.
- Eemaldage seitsmeasendiline pihustiotsak otsakupikenduselt.
- Kasutage väikest kirjaklambrit ummistuse tekitanud või pihustusotsakut ahendava võõrmaterjali eemaldamiseks.
- Paigaldage seitsmeasendiline otsak tagasi otsakupikendusele.

### Rõngastihendite hooldamine Joonis 10

Määrde (petrool- või sünteetiline määre) kasutamine aitab paigutada rõngastihendid, tagades parema hermeetilisuse. Kandke määret rõngastihenditele enne kõrgsurvevooliku (A), kõrgsurvevooliku (B), pihustuspüstol (C) ning plastpikenduse (D) kokkupanekut.

Rõngastihendite hoolduskomplekti ostmiseks pöörduge Briggs & Stratton volitatud hooldusesindusse. ÄRGE KUNAGI parandage lekkivaid ühendusi mistahes hermeetikuga. Asendage rõngastihend või tihend.

### PRCD kaitsme vahetamise Joonis 11



**HOIATUS!** Tulekahjuriski vähendamiseks asendage kaitse üksnes 13-amprise BS 1362 nimikaitsmega.

Tulekahjuriski vähendamiseks asendage kaitse üksnes 13-amprise BS 1362 nimikaitsmega:

- Leidke PRCD pistiku klemmipoolsel küljel asuv kaitse.
- Eemaldage lamepea-kruvikeerajat kasutades kate (A) ja kaitsmekoost. Eemaldage kaitse (B) katte küljest. Asendage kaitse 13-amprise BS 1362 nimikaitsmega.
- Sisestage kate ja kaitsmekoost.

## Ladustamine

*Pärast iga kasutamist*. kirjeldatud toimingud 1–10.

**MÄRKUS** Pumba jäänud vesi võib jääda ja pumba jäävalt kahjustada. Garantii ei kata külmumiskahjustusi.

### Pumba kaitsmine

Kaitsmaks pumba kahjustuste eest, mida põhjustavad mineraalsadestised ja külmumine, kasutage külmakahjustuste ärahoidmiseks ning kolbide ja tihendite määrimiseks toodet PumpSaver.

**MÄRKUS** Kui te seadet külmumistemperatuuride eest ei kaitse, kahjustab see pumba ja muudab selle kasutuskõlbatuks. Garantii ei kata külmumiskahjustusi.

### Lõplikud hoiundamise nõuanded

- Kerige kõrgsurvevoolik lisaseadmete aluse ülemise konksu ümber.
- Kerige toitejuhe lisaseadmete aluse alumise konksu ümber.
- Jätke pihustuspüstol, otsakupikendus ja seitsmeasendiline otsak lisaseadmete alusele.
- Katke seade niiskuskindla kaitsekattega ning hoidke seadet puhtas ja kuivas ruumis, kus see on külmumistemperatuuride eest kaitstud.

# Tõrgete kõrvaldamine

Probleem	Põhjus	Lahendus
<b>Pumbal on järgmised probleemid: survet ei teki, ebapüsiv surve, lõgsemine, survekadu, väike veemaht.</b>	<ol style="list-style-type: none"> <li>1. Vee sisselask on blokeeritud.</li> <li>2. Ebapiisav veevarustus.</li> <li>3. Sisselaskevoolik on käärdunud või lekib.</li> <li>4. Ummistunud vee sisselaske sõel.</li> <li>5. Pihustusotsakus on tõkked.</li> </ol>	<ol style="list-style-type: none"> <li>1. Eemaldage tõkked sisselaskest.</li> <li>2. Tagage piisav vee läbivool.</li> <li>3. Tõmmake kastmisvoolik sirgu või asendage lekkiv voolik.</li> <li>4. Puhastage vee sisselaske sõel või asendage see.</li> <li>5. Puhastage pihustiotsak.</li> </ol>
<b>Seade ei hakka pihustuspüssi päästiku vajutamisel tööle.</b>	<ol style="list-style-type: none"> <li>1. Veevarustus ei ole sisse lülitatud.</li> <li>2. Seade ei ole sisse lülitatud.</li> <li>3. Kastmisvoolik on liiga pikk.</li> <li>4. Sulavkaitse on läbi põlenud või on rakendunud kaitselüliti.</li> </ol>	<ol style="list-style-type: none"> <li>1. Lülitage veevarustus sisse.</li> <li>2. Vajutage SEES/VÄLJAS põhilüliti asendisse SEES (I). Lähtestage PRCD.</li> <li>3. Kasutage maksimaalselt 15,24 m (50 jala) pikkust kastmisvoolikut.</li> <li>4. a.) Asendage sulavkaitse või lähtestage kaitselüliti.</li> <li>5. b.) Eraldage vooluringest muud elektriseadmed ja kustutage tuled või kasutage spetsiaalselt vooluringet. c.) Käitage seadet 5 minutit turbo pihustusotsakuga.</li> </ol>
<b>Pesuaine ei segune pihustatava vedelikuga.</b>	<ol style="list-style-type: none"> <li>1. Paigaldatud on kõrgsurveotsak.</li> <li>2. Vee sisendrõhk on liiga kõrge.</li> </ol>	<ol style="list-style-type: none"> <li>1. Paigaldage suure voolukiirusega pihustusotsak.</li> <li>2. Sulgege veekraani aeglaselt, kuni pesur hakkab pesuainet võtma.</li> </ol>
<b>Voolikuühendused lekivad.</b>	<ol style="list-style-type: none"> <li>1. Kastmisvooliku ja vee sisselaskeava ühendus on lahtine.</li> <li>2. Kõrgsurvevooliku ühendused on lahtised.</li> <li>3. Rõngastihend on kahjustatud.¶</li> </ol>	<ol style="list-style-type: none"> <li>1. Pinguldage kastmisvoolikut käsitsi.</li> <li>2. Eemaldage voolik ja paigaldage uuesti.</li> <li>3. Asendage rõngastihend.</li> </ol>

Kõikide muude probleemide puhul pöörduge Briggs & Strattoni volitatud edasimüüja poole.

Spetsifikatsioonid		
Lubatud surve	MPa/BAR/PSI	16,0/160/2,320*
Maksimaalne voolukiirus	LPM/GPM	15,0/4,0*
Nimisurve ja vool	MPa/BAR/PSI LPM-i/GPM-i juures	12/120/1740 voolukiirusel 5,5/1,45
Veevarustuse temperatuur	°C/°F	38/100
Nimipinge	V	220–240
Nimisagedus	Hz	50/60
Energiatarve	W	2,500
Vool	A	9,0
Kaitseklass	Klass	Klass II
Kaitseaste	IP xx	IPX5
Kohtvibratsioon $a_{hd}$ Määramatus K	$m/s^2$ $m/s^2$	$\leq 2,5^*$ $0,2^*$
Helirõhu tase $L_{pA}$ Määramatus $K_{pA}$	dB(A) dB(A)	$74^*$ $2^*$
Helivõimsuse tase $L_{WA}$	dB(A)	$94^*$
Garanteeritud helivõimsuse tase $L_{WAd}$	dB(A)	$96^*$

\* Standardi EN 60335-2-79: 2012 järgi.

## ELi vastavusdeklaratsioon

### Lavorwash spa

Via J.F.Kennedy, 12 – 46020 Pegognaga (MN) – Italy

See vastavusdeklaratsioon on välja antud tootja ainuvastutusel. Vastavusdeklaratsioon tõendab, et dokumendis loetletud tooted vastavad asjaomastele liidu ühtlustamisõigusaktidele ja et need võivad kanda CE-märgist. Need mudelid vastavad järgmistele direktiividele ja nendega seotud standarditele.

**Toode:** kõrgsurvepesur

**Mudel - tüüp:** BPW1800PX

### ELi direktiivid

2006/42/EC (+2009/127/EC)

2006/95/EC

2004/108/EC

2000/14/EC (+2005/88/EC)

2011/65/EÜ (+2015/863/EU)

2014/35/EÜ ≥ 2016-04-20

2014/30/EÜ ≥ 2016-04-20

### Standardid

EN 60335-1:2012

EN 60335-2-79:2012

EN 62233:2008

EN 55014-1:2006+A1:2009+A2:2011

EN 55014-2:1997+A1:2001+A2:2008

EN 61000-3-2:2006+A1:2009+A2:2009

EN 61000-3-3:2013

EN 50581:2012

### Helivõimsuse tase

Mõõdetud dB(A): **94**

Tagatud dB(A): **96**

2000/14/EC: seadme kirjeldus on toodud I lisa punktis 27. Vastavushindamismenetlus teostati vastavalt V lisale.

Tehnilist toimetust hoitakse aadressil Lavorwash spa, via J.F.Kennedy, 12 - 46020 Pegognaga (MN) – Italy.

Lavorwash S.p.A

via J.F.Kennedy, 12

46020 Pegognaga

(MN) - Italy Pegognaga, Oktoober 15, 2015



Giancarlo Lanfredi

tegevjuht

## OSALINE GARANTII

Briggs & Stratton garanteerib allpool määratletud garantiiperioodi jooksul mis tahes osa, millel on materjali- või tootmisdefekt või mõlemad, tasuta paranduse või asenduse. Parandamiseks või asendamiseks saadetakse garantiialuse toote transpordikulud tasuta ostja. See garantii kehtib allpool nimetatud ajaperioodil ja tingimustel. Garantiiteeninduse leiate aadressil BriggsandStratton.com, kus on näidatud teie regiooni lähim volitatud hooldusfirma. Ostja peab võtma ühendust volitatud hooldusfirmaga ja võimaldama volitatud hooldusfirmale juurdepääsu toote kontrollimiseks ja testimiseks.

**Muid sõnaselgeid garantiisid ei anta. Kaudsed garantiid, sh kaubastatavuse ja konkreetseks otstarbeks sobivuse garantiid, kehtivad ainult allnimetatud garantiiperioodi vältel või minimaalse seadustes ettenähtud aja jooksul. Tootja ei vastuta juhuslike või kaudsete kahjude eest, v.a seadustes sätestatud määral.** Mõned riigid või osariigid ei luba piiranguid kaudse garantii kehtivusajale ja mõned riigid või osariigid ei luba juhuslike või kaudsete kahjude vältimist või piiramist, mistõttu eespool nimetatud piirang või välistamine ei pruugi teie jaoks kehtida. Käesolev garantii annab teile kindlad õigushüved ja teil võivad olla lisaks ka teised õigused, mis erinevad riigiti.\*\*

## GARANTIIPERIOOD

Erakasutus	Kommertskasutus
12 kuud	Puudub

\*\* Austraalias – meie toodetel on garantiid, mida ei saa Austraalia tarbijaõiguse kohaselt välistada. Teil on õigus asendusele või raha tagasimaksule suure rike korral ning kompensatsioonile mis tahes muude mõistlikult prognoositavate kadude või kahjude korral. Samuti on teil õigus toodete parandamisele või asendamisele, kui toodete kvaliteet ei vasta vastuvõetavale tasemele ja rike ei ole suur. Garantiihoolduse kasutamiseks otsige veebisaidilt BRIGGSandSTRATTON.COM meie edasimüüjate kaardilt lähim volitatud hooldusfirma või helistage numbril 1300 274 447 või saatke e-kiri aadressil salesenquires@briggsandstratton.com.au või saatke kiri aadressil Briggs & Stratton Australia Pty Ltd, 1 Moorebank Avenue, NSW, Austraalia, 2170. Garantiiperiood algab esimese jaetarbija või kommertskasutaja ostu sooritamise kuupäevast. „Erakasutus“ tähendab isiklikku kodumajapidamises kasutamist jaetarbija poolt. „Kommertskasutus“ tähendab kõiki teisi kasutusi, kaasa arvatud ärilisel, tulu tekitaval või rentimise eesmärgil kasutamist. Kui toodet on korra juba ärilisel eesmärgil kasutatud, siis peetakse seda selle garantii seisukohalt kommertskasutuseks. Kiire ja täieliku garantiikatvuse tagamiseks registreerige oma toode ülalnimetatud veebisaidil või veebisaidil [www.onlineproductregistration.com](http://www.onlineproductregistration.com) või saatke täidetud registreerimiskaart (kui on kaasas) või helistage telefonil 1-800-743-4115 (USA-s). Hoidke alles ostmist tõendav tšekk. Kui teil puudub esmast ostmiskuupäeva tõendav dokument, siis määratakse garantiiperioodi pikkus garantiihoolduse tegemisel toote valmistamiskuupäevast olenevalt. Briggs & Strattoni toodete garantiihoolduse saamiseks ei ole toote registreerimine vajalik.

## TEIE GARANTIIST

Garantiihooldust teostavad ainult ettevõtte Briggs & Stratton volitatud hooldusfirmad. Enamikul juhtudel garantiiremont teostatakse, kuid mõnel juhul ei ole garantiihoolduse nõue asjakohane. Käesolev garantii kehtib ainult materjali- ja tootmisdefektidele. See ei kata kahjusid, mis on põhjustatud toote ebaõigest kasutamisest või väärkasutusest, sobimatust hooldusest või remondist, normaalsest kulumisest või vananemist või heakskiitmata kütuse kasutamisest.

**Ebaõige kasutamine ja väärkasutus** – toote ettenähtud viisil kasutamist on selgitatud kasutusjuhendis. Garantiid muutub kehtetuks, kui toodet kasutatakse kasutusjuhendis mittekirjeldatud viisil või pärast toote kahjustumist. Garantiid ei kehti ka juhul, kui toote seerianumber on eemaldatud või kui toodet on mis tahes viisil muudetud või modifitseeritud või kui tootel esineb ilmseid väärkasutamise tunnuseid, nt löögikahjustused või veest / keemilistest ühenditest põhjustatud korrosioon.

**Ebaõige hooldus või remont** – seda toodet tuleb hooldada vastavalt kasutusjuhendis toodud juhiste ja hooldusväljadele, kasutades Briggs & Strattoni originaalvaruosasid või nendega võrdväärseid varuosasid. Garantiid ei kata kahjusid, mis on tekkinud puuduliku hoolduse või mitte-originaalvaruosade kasutamise tõttu.

**Normaalne kulumine** – toode kulub kasutamisel, nagu kõik mehaanilised seadmed, isegi siis, kui neid korralikult hooldatakse. Käesolev garantii ei kata remonti juhul, kui mõni seadme osa on loomuliku kasutamise tõttu läbi kulunud. Garantiid ei kata hooldatavaid ja kulumise osi, nt filtreid, löiketerad ja piduriklotsid (välja arvatud mootori piduriklotsid), ainult kulumisnäitajate pärast, kui põhjus ei ole tingitud materjalide ja tootmise defektidest.

**Riknenud või nõuetele mittevastav kütus** – laitmatuks tööks vajab see toode värsket kütust, mis vastab kasutusjuhendis määratletud nõuetele. Garantiid ei kehti mootori või seadme kahjustustele, mida on põhjustanud vananenud kütuse või heakskiitmata kütuse (nt E15 või E85 etanoolisegud) kasutamine.

**Muud välistused** - see garantii ei hõlma kahjusid, mis on tekkinud õnnetusjuhtumi, kuritarvituse, modifikatsioonide, muudatuste, ebaõige hoolduse, jäätmise või keemiliste muutuste tõttu. Garantiid ei kohaldu ka abiseadmetele või tarvikutele, mis ei kuulu toote originaalpakendisse. Garantiid ei kehti seadmetele, mida kasutatakse üldvõrgu elektritoite asemel primaartoitega, ega seadmetele, mida kasutatakse elushoidmiseks ja esmaabiks. Käesolev garantii ei kehti seadmetele või mootoritele, mida on kasutatud, muudetud, võetud taaskasutusse või kasutatud näidistoodetena. Käesolev garantii välistab ka rikkeid, mis on tingitud vääramatu jõu sündmustest, mis on väljaspool tootja kontrolli.

## Sisällysluettelo

Turvallisuus- ja valvontasymbolit . . . . .	4
Laitteiden kuvaus . . . . .	4
Kokoaminen . . . . .	4
Toiminnot ja hallintalaitteet . . . . .	5
Toiminta . . . . .	5
Huolto . . . . .	5
Säilytys . . . . .	7
Vianmääritys . . . . .	8
Teknisen tiedot . . . . .	8
Taku . . . . .	10

## Turvallisuus-ja-valvonta symbolit

Turvallisuusmerkkiä voidaan käyttää osoittamaan vaaran tyyppin. **VAROITUS** merkitsee vaaraa, joka, jos sitä ei vältetä, saattaa johtaa kuolemaan tai vakavaan loukkaantumiseen. **ILMOITUS** osoitekäytännöt, jotka eivät liity henkilövahinkoihin.



Lue käyttöopas



Polttoaineen ruiskutus



Liikkuvia osia



Varoituskolmio



Ei juomakelpoista vettä



Sähköisku



Tuli



Lentäviä osia



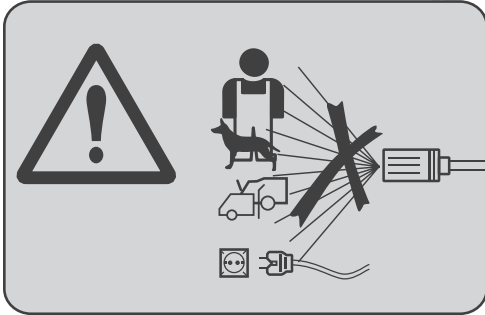
Kaatuminen



On (Päällä)



Off (Pois)



Älä koskaan suuntaa sumutin itseäsi, muita tai eläimiä. Älä suihkuta lähellä virtalähdettä tai itse laite.

Tätä konetta ei ole tarkoitettu sellaisten henkilöiden (mukaan lukien lapset) käyttöön, joiden fyysiset, henkiset tai aistitoimintoihin liittyvät kyvyt ovat heikentyneet, ellei heitä valvota ja neuvota turvallisessa käytössä ja koneeseen liittyvien vaarojen ymmärtämisessä.

### VAROITUS

- Tämä laite on suunniteltu käytettäväksi yhdessä sen valmistajan toimittaman tai suositteleman puhdistusaineen kanssa. Muiden puhdistusaineiden tai kemikaalien käyttö voi heikentää laitteen turvallisuutta.

- Korkeapainesuihku voi olla vaarallinen väärin käytettynä. Suihkua ei saa kohdistaa ihmisiin, jännitteisiin sähkölaitteisiin tai itse koneeseen.
- Älä käytä laitetta sellaisten henkilöiden läheisyydessä, joilla ei ole päällään suojavaatetusta.
- Älä kohdista suihkua itseesi tai muihin ihmisiin vaatteiden tai jalkineiden puhdistamiseksi.
- Räjähdysvaara – älä suihkuta syttyviä nesteitä.
- Lapset ja epäpätevät henkilöt eivät saa käyttää korkeapainepesuria.
- Korkeapaineletkut, -liittimet ja -kytkennät ovat tärkeitä laitteen turvallisuuden kannalta. Käytä vain valmistajan suosittelema letkuja, liittimiä ja kytkentöjä.
- Laitteen turvallisuuden takaamiseksi käytä vain valmistajalta saatavia alkuperäisiä varaosia tai varaosia, jotka valmistaja on hyväksynyt.
- Takaiskuventtiilien läpi kulkenut vesi ei ole juomakelpoista.
- Katkaise virta irrottamalla pistoke pistorasiasta aina laitteen puhdistuksen, huollon ja osien vaihdon yhteydessä.
- Älä käytä laitetta, jos sen johto tai muut tärkeät osat, kuten turvalaitteet, korkeapaineletkut tai suihkutin, ovat vaurioituneet.
- Älä käytä jatkojohtoa tämän painepesurin kanssa.
- Kytke pääkytkin aina pois päältä, kun jätät laitteen ilman valvontaa.

## Laitteiston kuvaus



Lue tämä käyttöopas huolellisesti ja tutustu hyvin painepesuriin. Opettele sen käyttötavat, sen rajoitukset ja siihen mahdollisesti liittyvät vaarat. Säilytä nämä alkuperäiset ohjeet tulevaa käyttöä varten.

Tämän sähköpainepesurin enimmäispaine on 12 MPa (120 bar tai 2 300 psi (naulaa neliötuumalla)) ja virtausnopeus enimmillään 8,0 lpm (litraa minuutissa)(2,1 gpm (gallonaa minuutissa)).

Kaikki voitava on tehty sen varmistamiseksi, että kaikki tiedot tässä käyttöoppaassa ovat oikeita ja ajan tasalla. Varaamme kuitenkin oikeuden muuttaa, muokata tai muutoin parantaa tuotetta ja tätä dokumenttia milloin tahansa ilman ennakoilmoitusta.

**HUOMIOI** Jos sinulla on kysymyksiä käyttötarkoituksiin liittyen, kysy asiaa jälleenmyyjältä tai ota yhteyttä palvelukeskukseen. ÄLÄ KOSKAAN käytä yksikköä, jossa on rikkiäisiä tai puuttuvia osia, tai josta puuttuu suojakotelo tai kannet. ÄLÄ SIVUUTA mitään tämän laitteen turvatoimia. ÄLÄ MUUNTELE painepesuria millään tavalla. Tämä laite on suunniteltu käytettäväksi **VAIN** Briggs & Stratton -yrityksen hyväksymien osien kanssa.

### POWERflow+-tekniikka

Briggs & Strattonin POWERflow+-tekniikka on järjestelmä, jossa useat komponentit toimivat yhdessä saadakseen aikaan korkean virtauskapasiteetin. POWERflow+-tekniikan teho perustuu pumppuun, jossa on käytettävissä kaksi eri puhdistustilaa: korkeapainepuhdistus ja suurella virtauksella puhdistus, joista jälkimmäinen tehostaa puhdistusta ulottuen laajemmalla alueella, käyttäen pesuainetta tehokkaasti ja huuhtelemalla nopeammin.

## Suojaus kannettavalla jäännösvirtalaitteella

Tämä painepesuri on varustettu kannettavalla jäännösvirtalaitteella (PRCD), joka on asennettu virtajohdon pistokkeeseen. Laite antaa lisäsuojaa sähköiskuja vastaan. PRCD antaa 10 mA:n suojauksen.

### Automaattinen sammutus

Anturi sammuttaa moottorin, kun suuttimen liipaisin vapautetaan tai lukitaan. Jos moottori jatkaa käymistä, vaikka suuttimen liipaisin on vapautettu tai lukittu, ÄLÄ KÄYTÄ KONETTA. Ota yhteys Briggs & Strattonin valtuutettuun huoltoon

**HUOMAUTUS** Virtakytkimen pitää aina olla OFF-asennossa (0), kun painepesuri ei ole käytössä.

### Moottorin ylikuormitus

Ylivirtasuoja sammuttaa moottorin automaattisesti, jos se kuumenee liikaa tai ottaa liikaa virtaa. Jos laite laukeaa, katkaise virta painamalla virtakytkin OFF-asentoon (0). Anna koneen jäähtyä 30 minuuttia ja paina virtakytkin ON-asentoon (I).

### EU hävittäminen



Tämä symboli osoittaa omistaja paristojen ja sähkö- ja elektroniikkalaitteita ei saa hävitä tätä tuotetta lajittelemattoman yhdyskuntajätteen.

Tämä tuote on hävitettävä ympäristön kannalta asianmukaista jätteiden paikkoihin. Ota yhteyttä Briggs & Stratton tai paikalliselta jälleenmyyjältä lisää hävitystä.

## Kokoaminen

### Tukiputkien ja kahvan kiinnittäminen Kuva 1 2

1. Liu'uta tuet (1,A) koloihin. Kohdistista ja kiinnitä ruuveilla (1,B). Säilytä kohdistus kiristämisen aikana.
2. Aseta kahva (2,A) tukien päälle ja kohdistista reiät.
3. Työnnä lukkopulitit (2,B) läpi laitteen sisäpuolella olevista reiästä, kiinnitä ne muovinupeilla (2,C) ja kiristä.

### Toiminnot ja hallintalaitteet Kuva 3

A	Suutin	G	Sähköjohto, jossa PRCD
B	7-in-1-suutin	H	Tunnistetarra
C	Tarvikelokero	J	Veden sisääntulo
D	Pesuainesäiliö	K	Korkeapaineen ulostulo
E	Käyttökytkin	L	Suuttimen jatke
F	Korkeapaineletku		

## Käyttö

### Letkun ja veden saannin kytkeminen Kuva 3 4 6

**HUOMIOI** Käytä AINOASTAAN kylmää vettä (alle 38 °C).

1. Kierrä korkeapaineletku (3,F) pistooliin (3,A).
2. Kiinnitä sininen korkeapaineletku (3,F) veden saantiin (3,K) ja kiristä.
3. Varmista, että veden tulosuodatin ja musta kuminen välilevy on asennettu veden tuloliitäntään (4,A).
4. Kiinnitä veden tuloliitäntä (4,B) tuloon ja kiristä.

**HUOMAUTUS** Parhaan suoritusstehon saamiseksi yhdistä VAIN veden saantiin, josta vesi tulee yli 5 GPM (18,9 l) ja 25–75 psi (1,72–5,17 bar) sähköpainepesurin päässä puutarhaletkua.

5. Puhdista roskat juoksuttamalla vettä puutarhaletkun läpi.

**HUOMIOI** Takaiskuventtiilin käyttäminen pumpun syötössä saattaa aiheuttaa pumpun vaurioita.

Takaiskuventtiilin ja painepesurin syötön välillä TÄYTYY olla vähintään 3 metriä rajoittamatonta puutarhaletkua.



**VAROITUS!** Vesi, joka on virrannut takaiskuventtiilin läpi, on juomakelvotonta.

6. Liitä puutarhaletku (4,C) (ei saa olla yli 15 metrin pituinen) veden sisääntuloon (4,B) ja kiristä.
7. Käännä vesi ON-asentoon, osoita suuttimella turvalliseen suuntaan, paina liipaisimen lukkopainiketta (5,A) ja poista ilma järjestelmästä puristamalla liipaisinta.
8. Liitä suuttimen jatke (3,L) suihkusuuttimeen (3,A). Kiristä käsin.
9. Vedä suuttimen jatkeen letkunkiristintä taaksepäin (7,A), aseta 7-in-1-suutin (7,B) ja päästä irti letkunkiristimestä. Vetäise suuttimen kärjestä varmistaaksesi, että se on hyvin paikallaan. Katso 7-in-1-suutin.

### Painepesurin käynnistäminen Kuva 3 9



**VAROITUS!** Suihkusta voi roiskua vettä taaksepäin tai se voi singota esineitä, jotka voivat aiheuttaa vakavan loukkaantumisen. Kun käytät tätä laitetta tai olet sen läheisyydessä, pidä aina epäsuorasti ilmastoituja (kemikaaliroiskeille tarkoitettuja) suojalaseja, joiden on merkitty olevan ANSI Z87.1 –standardin mukaisia.

1. Paina käyttökytkin (3,E) OFF-asentoon (0).



**VAROITUS!** Sähköiskun vaara. Virtalähteen koskettaminen voi aiheuttaa sähköiskun tai palovammoja, jotka voivat johtaa kuolemaan tai vakavaan loukkaantumiseen. ÄLÄ käytä jatkojohtoa tämän sähköpainepesurin kanssa. Kotisi sähkövirtapiiriin pistorasiassa tai jatkojohdossa ei ehkä ole kannettavaa jäännösvirtalaitetta, joka voi pelastaa hengen.

2. Liitä sähköjohto (3,G) sopivaan 220 - 240 voltin 10 ampeerin AC-virtapiiriin, joka on asennettu kaikkien paikallisten normien ja määräysten. Samaan piiriin ei saa liittää muita sähkölaitteita.
3. Paina NOLLAUS-painiketta (8,C). Merkkivalon (8,B) pitäisi palaa.

**HUOMAUTUS** Merkkivalon tulee palaa, jotta sähköpainepesuri toimii.

4. Paina TESTI-painiketta (8,A). Merkkivalon (8,B) pitäisi olla sammuneena.
5. Paina NOLLAUS-painiketta (8,C). Merkkivalon (8,B) pitäisi palaa.



**VAROITUS!** Sähköiskun vaara. Toimimaton PRCD voi aiheuttaa kuoleman tai ruumiinvamman. Jos merkkivalo ei ole päällä testauksen ja nollaamisen jälkeen, älä käytä PRCD-laitetta.

6. Paina käyttökytkin ON-asentoon (I).
7. osoita suuttimella turvalliseen suuntaan, paina liipaisimen lukkopainiketta ja purista liipaisinta.

Moottori käynnistyy ja pysähtyy, kun suihkusuuttimen liipaisimen painaminen lopetetaan ja liipaisin vapautuu.



## 7-in-1-suutin Kuva 11

7-in-1-suuttimella käytettävissäsi on seitsemän eri suihkutustapaa. Aktivoi turvalukko vapauttamalla suihkusuuttimen liipaisin ennen suihkutustavan valintaa.

- Valitse haluamasi suihkutustapa:
  - Valitse 0°:n maksimisuutin (A) itsepäiseen likaan tai vaikeasti saavutettaviin pintoihin, kuten toisen kerroksen pinnat, maalin poistoon, öljytahroihin, ruosteen poistoon tai muihin itsepäisiin aineisiin (terva, kumi, rasva, vaha yms.).
  - Valitse 15°:n yleissuutin (B) vaikeisiin puhdistustehtäviin. Tämä suihkutustapa soveltuu ihanteellisesti rasvan ja lian poistamiseen koviilta pinnoilta. Käytettäessä suutinta 45°:een kulmassa tällä suihkutustavalla voi myös poistaa maalia erilaisilta pinnoilta.
  - Valitse hellävarainen 40°:n suutin (C) hellävaraiseen autojen/rekkojen, veneiden, asuntovaunujen, puutarhakalusteiden, nurmikonhoitolaitteiden ym. puhdistamiseen.
  - Valitse viuhkasuihkutussuutin (D), kun haluat optimaalisen kevyen lian ja roskien huuhtelun kovalla virtaukselle.
  - Valitse saippuasuuttimellinen viuhkasuihku (F) hellävaraiseen autojen, rekkojen, lasten lelujen, puutarhakalusteiden yms. puhdistamiseen.
  - Valitse laajalle ulottuva suutin (G) nopeaan puhdistukseen kovalla virtauksella ja korkealle ulottuviin kohteisiin, kuten toisen kerroksen seinät ja ikkunat.
  - Valitse saippuasuuttimellinen laajalle ulottuva suutin (H) saippuan levittämiseen toisen kerroksen seiniin ja ikkunoihin.
- Käännä valitsinta, kunnes haluamasi suihkutustapa kohdistuu 7-in-1-suuttimessa olevaan nuoleen.

### Käyttöohjeita

- Tehokkainta mahdollista puhdistusta varten, pidä suuttimen päätä 20–61 cm:n päässä puhdistettavasta pinnasta.
- Jos pidät suuttimen päätä liian lähellä, varsinkin silloin kun käytät korkeapainesuutinta, saatat vahingoittaa puhdistettavaa pintaa.
- ÄLÄ MENE 15 cm:ä lähemmäs, kun puhdistat ajoneuvon renkaita.

### Pesuaineen levittäminen Kuva 3



**VAROITUS!** Kemikaalit voivat aiheuttaa palovammoja, jotka voivat johtaa kuolemaan tai vakavaan loukkaantumiseen. ÄLÄ KÄYTÄ syövyttäviä nesteitä painepesurilla pestäessä. Käytä AINOASTAAN pesuaineita/saippuaita, joita on turvallista käyttää painepesurin kanssa. Noudata valmistajien ohjeita.

### Noudata näitä vaiheita pesuaineen levittämisessä:

- Poista pesuainesäiliön korkki, (D) ja täytä säiliö pesuaineella. Aseta korkki takaisin.
- Varmista, että jokin saippuasuihkutustavoista on valittuna 7-in-1-suuttimessa.

**HUOMAUTUS** Pesuainetta ei voi levittää korkeapainesuuttimilla (maksimisuutin, yleissuutin, hellävarainen suutin, viuhkasuihku tai laajalle ulottuva suutin).

- Levitä pesuainetta kuivalle pinnalle, aloittaen pestävän alueen alemmasta osasta ja työskennellen ylöspäin käyttäen pitkiä, tasaisia, päällekkäisiä vetoja.
- Anna pesuaineen vaikuttaa pesuainevalmistajan ohjeiden mukaan, ennen kuin peset ja huuhdot sen pois.

### Painepesurin huuhtelu

- Valitse haluamasi korkeapainesuutin.



**VAROITUS!** Suihkusuuttimen aiheuttama takapotku voi aiheuttaa kuolemaan tai vakavaan loukkaantumiseen johtavan kaatumisen. Käytä painepesuria vain vakaalla alustalla. Ole äärimmäisen varovainen, jos joudut käyttämään painepesuria tikkailla, rakennustelineellä, tai muussa vastaavassa paikassa. Vältäaksesi takapotkusta aiheutuvaa loukkaantumista, ota suuttimen päästä kiinni hyvin molemmin käsin, kun käytät korkeapainesuutinta.

- Osoita korkeapainesuihku pienelle alueelle, ja tarkista alueen pinnan vauriot. Jos vaurioita ei ole, jatka huuhtelua.
- Aloita huuhdeltavan alueen yläosasta, jatkaen alaspäin samoilla päällekkäisillä vedoilla, joita käytit pestessäsi.

### Painepesurin pysäyttäminen Kuva 3

- vapauta suihkusuuttimen liipaisin.
- Paina käyttökytkin (E) OFF-asentoon (0).

**HUOMAUTUS** Liipaisimen vapauttaminen sammuttaa moottorin, mutta ei katkaise sähkönsyöttöä laitteeseen.

- Käännä veden saanti pois päältä.
- Osoita AINA suuttimella turvalliseen suuntaan, paina liipaisimen lukkopainiketta ja purista liipaisinta sisään jääneen paineen vapauttamiseksi.



**VAROITUS!** Tämän laitteen tuottama korkeapaineella virtaava vesi voi leikata ihon ja sen alla olevien kudokset läpi, mikä voi puolestaan johtaa vakavaan loukkaantumiseen tai mahdolliseen amputaatioon. Pidä korkeapaineletku kytkettynä pumppuun ja suutinosaan silloin, kun järjestelmä on paineistettu. ÄLÄ ANNA lasten käyttää painepesuria. Osoita suihkusuuttimella AINA turvalliseen suuntaan, purista liipaisinta vapauttaaksesi korkeapaineen joka kerta, kun sammutat painepesurin.

- Kytke irti PRCD-pistoke (G) liitännästä ja kela virtajohto tarvikelokeron pohjassa olevaan koukkuun.
- Kierrä korkeapaineletku tarvikelokeron yläkoukkuun.
- Säilytä punainen korkeapaineletku suuttimen jatkeen päässä. Säilytä suihkusuutin, suuttimen jatke ja 7-in-1-suutin tarvikelokerossa.

## Jokaisen käyttökerran jälkeen

Veden ei tulisi jäädä sisälle yksikköön pitkiksi ajoiksi. Saostumia tai mineraaleja saattaa pumpun osiin ja pysäyttää pumpun toiminnan. Seuraa näitä toimenpiteitä jokaisen käyttökerran jälkeen:

1. Käytä painepesuria saippuan suihkusuuttimella, kunnes säiliö on tyhjä.
2. Lisää pesuainesäiliöön 0,5 litraa vettä ja käytä saippuan suihkusuuttimella. Huuhtelee 1–2 minuuttia.
3. Paina käyttökytkin OFF-asentoon (0). Irrota virtajohdon pistoke pistorasiasta.
4. Käännä veden saanti pois päältä. Osoita suuttimella turvalliseen suuntaan, paina liipaisimen lukkopainiketta ja purista liipaisinta sisään jääneen paineen vapauttamiseksi.
5. Irrota puutarhaletku veden sisääntulosta. Irrota korkeapaineletku suuttimesta ja korkeapaineen ulostulosta.
6. Tyhjä vesi letkusta ja suihkusuuttimesta, pyyhi kaikki ulkopinnat.
7. Tyhjä vesi pumpusta kaatamalla laite oikealle kyljelle (veden sisääntulo alaspäin) kahdeksi minuutiksi. Käännä laite ympäri ja anna levätä korkeapaineen ulostulon päällä vielä kaksi minuuttia.
8. Kierrä korkeapaineletku tarvikelokeron yläkoukkuun.
9. Kelaa virtajohto tarvikelokeron pohjassa olevaan koukkuun. Säilytä suihkusuutin, suuttimen jatke ja 7-in-1-suutin tarvikelokerossa.
10. Säilytä puhtaassa, kuivassa paikassa.
11. Jos varastoit laitetta yli 30 päivää, katso kohta Varastointi.

## Huolto

### Yleiset suositukset

Säännöllinen huolto parantaa suorituskykyä ja pidentää painepesurin käyttöikää. Ota yhteyttä mihin tahansa Briggs & Strattonin valtuuttamaan huoltopisteeseen huoltoa varten. ÄLÄ ANNA lasten puhdasta tai ylläpitää ilman valvontaa.

Painepesurin takuu ei kata yksiköitä, joita laitteen käyttäjä on käyttänyt väärin tai laiminlyönyt. Saadakseen täyden arvon takuulle, laitteen käyttäjän tulee ylläpitää painepesuria tässä käyttöoppaassa annettujen ohjeiden mukaisesti. Tämä koskee myös oikeaa varastointia siten kuin se on eritelty kohdassa *Varastointi*.



**VAROITUS!** Varmista koneen turvallisuus, käytä ainoastaan alkuperäisiä varaosia valmistajan tai valmistajan hyväksymiä. Jos sinulla herää kysyttävää painepesurin osien korvaamisesta, vieraile verkkosivullamme osoitteessa BRIGGSandSTRATTON.COM. Mikäli johto on vaurioitunut, ota yhteys valtuutettuun Briggs & Stratton -huoltokeskukseen.

## Suuttimen huolto

Puhdista suuttimen pää korjataksesi liiallisen pumpun paineen, joka aiheutuu tukkiutuneesta suuttimen päästä:

1. Paina käyttökytkin OFF-asentoon (0). Irrota virtajohdon pistoke pistorasiasta.
2. Irrota 7-in-1-suutin suuttimen jatkeen päästä.
3. Käytä pientä paperiliitintä poistaaksesi mahdollisen vieraan materiaalin, joka tukkii tai rajoittaa suutinta.
4. Kiinnitä 7-in-1-suutin uudelleen suuttimen jatkeeseen.

## O-renkaan huolto Kuva 10

Voiteluaineiden (öljyn tai synteettisen rasvan) käyttö helpottaa o-renkaiden paikalleen laittamista, jonka ansiosta ne takaavat paremman tiivistyksen. Levitä voiteluainetta o-renkaille ennen kuin kokoat korkeapaineletkun (A), korkeapaineletkun (B), puutarhaletkun pumppuun (C) suuttimen päälle.

Osta O-renkaiden huoltosarja ottamalla yhteyttä Briggs & Stratton valtuuttamaan jälleenmyyjään. ÄLÄ KOSKAAN korjaa vuotavia liitoksia minkäänlaisella tiivistysaineella. Vaihda o-rengas tai tiiviste.

## PRCD sulakkeenvaihto Kuva 11



**VAROITUS!** Tulipalovaaran vähentämiseksi, korvaa vain 13-amp BS1362 mitoitettulla sulakkeella.

Jos varustettu sulakkeella PRCD sisällä:

1. Paikanna sulake RCD-pistokkeen tapin puolella.
2. Irrota kansi (A) ja sulake kokoonpano tasakärisellä ruuvimeisselillä. Irrota sulake (B) kannesta. Vaihda sulake 13-amp BS1362 mitoitettulla sulakkeella.
3. Aseta kansi ja sulake kokoonpano.

## Varastointi

Noudata vaiheita 1–10 kohdasta *Jokaisen käyttökerran jälkeen*.

**HUOMAUTUS** Pumppuun jäänyt vesi voi jäätymään ja vaurioittaa pumppua pysyvästi. Takuu ei kata jäätymisen aiheuttamia vahinkoja.

### Pumpun suojaaminen

Suojataksesi pumppua mineraalijäämien tai jäätymisen aiheuttamilta vahingoilta, käytä pumpun säästäjää estääksesi jäätymisestä aiheutuvia vahinkoja ja voidellaksesi männät ja tiivisteet.

**HUOMAUTUS** Jos yksikköä ei suojella pakkaselta, pumppu vaurioituu ja laitteesta tulee käyttökelvoton. Takuu ei kata jäätymisen aiheuttamia vahinkoja.

## Lopullisen varastoinnin vinkkejä

1. Kierrä korkeapaineletku tarvikelokeron yläkoukkuun.
2. Kelaa virtajohto tarvikelokeron pohjassa olevaan koukkuun.
3. Säilytä suihkusuutinta, suuttimen jatketta ja 7-in-1-suutinta tarvikelokerossa.
4. Peitä laite suojapeitteellä, joka ei kerää kosteutta ja säilytä puhtaassa, kuivassa paikassa pakkaselta suojattuna.

# Vianmääritys

Ongelma	Syy	Korjaustapa
<b>Pumpussa on seuraavat viat: se ei tuota painetta, sen tuottama paine on epätasaista, pumppu naksuu, siitä katoaa paine tai sen veden määrä on alhainen.</b>	<ol style="list-style-type: none"> <li>1. Veden sisääntulo on tukossa.</li> <li>2. Riittämätön veden saanti.</li> <li>3. Sisääntuloletku on mutkalla tai vuotaa.</li> <li>4. Tukkeutunut veden sisääntulosuodatin.</li> <li>5. Suuttimen pää on tukossa.</li> </ol>	<ol style="list-style-type: none"> <li>1. Puhdista sisääntulo.</li> <li>2. Varmista riittävä veden virtaus.</li> <li>3. Suorista puutarhaletku tai vaihda se, jos se vuotaa.</li> <li>4. Puhdista tai vaihda veden sisääntulosuodatin.</li> <li>5. Puhdista suuttimen pää.</li> </ol>
<b>Laite ei käynnisty, kun suihkusuuttimen liipaisinta puristetaan.</b>	<ol style="list-style-type: none"> <li>1. Veden saantia ei ole kytketty päälle.</li> <li>2. Laitetta ei ole kytketty päälle.</li> <li>3. Puutarhaletku on liian pitkä.</li> <li>4. Sulake palanut tai katkaisija lauennut.</li> </ol>	<ol style="list-style-type: none"> <li>1. Käännä veden saanti pois päältä.</li> <li>2. Paina käyttökytkin ON-asentoon (I). Nollaa PRCD.</li> <li>3. Käytä enintään 15,24 metrin pituista puutarhaletkua.</li> <li>4. a.) Vaihda sulake tai nollaa katkaisija.</li> <li>5. b.) Irrota muut sähkölaitteet ja kytkettävät valot piiristä tai käytä omaa piiriä.</li> <li>c.) Käytä 5 minuuttia turbosuihkutuspaällä.</li> </ol>
<b>Pesuaine ei sekoitu vesisuihkuun.</b>	<ol style="list-style-type: none"> <li>1. Korkean paineen suutin on asennettu.</li> <li>2. Veden sisääntulon paine on liian korkea.</li> </ol>	<ol style="list-style-type: none"> <li>1. Asenna suihkusuutinpää.</li> <li>2. Sulje tuloveden venttiili hitaasti, kunnes kemikaali alkaa liikkua.</li> </ol>
<b>Letkuliitännät vuotavat.</b>	<ol style="list-style-type: none"> <li>1. Puutarhaletku on irronnut veden sisääntulosta.</li> <li>2. Korkeapaineletkun liitännät ovat irronneet.</li> <li>3. Vaurioitunut o-rengas.¶</li> </ol>	<ol style="list-style-type: none"> <li>1. Kiristä puutarhaletku käsin.</li> <li>2. Poista letku ja asenna uudelleen.</li> <li>3. Vaihda o-rengas.</li> </ol>

Kaikkien muiden asioista, katso Briggs & Stratton valtuutettu maahantuoja.

## Tekniset tiedot

Sallittu paine	MPa/BAR/PSI	16,0/160/2,320*
Enimmäisvirtaus	LPM/GPM	15,0/4,0*
Nimellinen paine ja virtaus:	MPa/BAR/PSI @ LPM/GPM	12/120/1740 @ 5,5/1,45
Veden saannin lämpötila	°C/°F	38/100
Nimellinen jännite	V	220–240
Luokiteltu taajuus	Hz	50/60
Kulutus	W	2,500
Nykyinen malli	A	9.0
Suojausluokka	Luokka	Luokka II
Suojausluokka	IP xx	IPX5
Käsivarsi värähtely $a_{hd}$	$m/s^2$ $m/s^2$	$\leq 2,5^*$ 0.2
Äänenpainetaso $L_{pA}$ epävarmuus $K_{pA}$	$dB(A)$ $dB(A)$	$74^*$ $2^*$
Mitattu äänitehotaso $L_{WA}$	$dB(A)$	$94^*$
Taattu äänen tehotaso $L_{WAd}$	$dB(A)$	$96^*$

\* EN 60335-2-79: 2012 mukaan.

## EY-vaatimustenmukaisuusvakuutus

### Lavorwash kylpylä

J.F.Kennedy, 12 – 46020 Pegognaga (MN) – Italialle

Tämä vaatimustenmukaisuusvakuutus on annettu ainoastaan valmistajan vastuulla. Täten todistetaan, että tuotteet mainittu tässä asiakirjassa ovat asiaa koskevan unionin yhdenmukaistamislainsäädännön ja voi CE-merkintä. Nämä mallit täyttävät seuraavien direktiivien ja liittyvät standardit.

### Tuore: Painepesurilla

Malli - Tyyppi: BPW1800PX

#### EU-direktiivit

2006/42/EC (+2009/127/EC)

2006/95/EC

2004/108/EC

2000/14/EC (+2005/88/EC)

2011/65/EU (+2015/863/EU)

2014/35/EU ≥ 2016-04-20

2014/30/EU ≥ 2016-04-20

#### Standardit

EN 60335-1:2012

EN 60335-2-79:2012

EN 62233:2008

EN 55014-1:2006+A1:2009+A2:2011

EN 55014-2:1997+A1:2001+A2:2008

EN 61000-3-2:2006+A1:2009+A2:2009

EN 61000-3-3:2013

EN 50581:2012

#### Äänitehotaso

Mitattu dB(A): **94**

Taattu dB(A): **96**

2000/14/EC: Laite on määritelty nro 27 liitteen I vaatimustenmukaisuuden arviointimenettelyn mukaisesti liitteen V.

Tekninen tiedosto tallennetaan LAVORWASH kylpylä, kautta JFKennedy, 12-46020 Pegognaga (MN) - Italia.

Lavorwash S.p.A

J.F.Kennedy-Ile, 12

46020 Pegognaga

(MN) - Italia Pegognaga, Lokakuussa 15, 2015



Giancarlo Lanfredi

Pääjohtaja



**RAJOITETTU TAKUU**

Briggs & Stratton takaa, että takuuajana jäljempänä eriteltyt, se korjaa tai vaihtaa veloituksetta kaikki moottorin osat, jotka ovat viallisia joko materiaalin tai työn tai molempia. Kuljetus maksut toimitettujen korjausta tai vaihtoa tämän takuun on vastattava ostajan. Tämä takuu on voimassa alapuolella mainittujen ajanjaksojen ja ehtojen mukaisesti. Saadaksesi takuuhoitoa, etsi lähin valtuutettu huoltomyyjä, jonka löydät jälleenmyyjien kartaltamme osoitteesta: BRIGGSandSTRATTON.COM. Ostajan pitää ottaa yhteyttä valtuutettuun huoltopisteeseen, ja sen jälkeen luovuttaa tuote valtuutetulle huoltopisteelle tarkastusta ja testausta varten.

**Ei ole muuta nimenomaista takuuta. Oletetut takuut, mukaan lukien tai sopivuudesta tiettyyn tarkoitukseen, rajoittuvat takuuajalla, tai lain sallimissa rajoissa. Vastuuta satunnaisista tai välillisistä vahingoista on jätetty siinä määrin syrjäytymisen laissa sallittua.** Jotkut valtiot tai maat eivät salli rajoituksia, kuinka kauan oletetun takuun kestää, ja jotkin valtiot tai maat eivät salli poissulkemista tai rajoittamista satunnaisten tai välillisten vahinkojen, joten edellä mainitut rajoitukset ja poissulkemiset eivät ehkä koske sinua. Tämä takuu antaa sinulle tiettyjä laillisia oikeuksia, ja sinulla voi olla myös muita oikeuksia, jotka vaihtelevat osavaltioittain tai maittain.\*\*

**TAKUUAIKA****Kulutusikäyttö**

12 kuukautta

**Kaupallinen käyttö**

Ei takuuta

\*\* Australiassa – Tuoteisiimme liittyvä takuu, jota ei Australian kuluttajansuojalain mukaisesti voida sulkea pois. Sinulla on oikeus korvaavaan tuotteeseen tai hyvitykseen, jos tuotteessa on merkittävä vika, ja korvaukseen muista kohtuudella ennakoitavista menetyksistä tai vahingoista. Sinulla on myös oikeus on korjauttaa tai vaihtaa, jos tuotteet eivät ole hyväksyttävää laatua ja vika ei merkitse suurta vika. Takuuhoitoon, löydä lähimpään valtuutettuun huoltoliikkeeseen meidän jälleenmyyjän kartassa BRIGGSandSTRATTON.COM, tai soittamalla 1300 274 447, tai sähköpostitse tai kirjoittamalla salesenquires@briggsandstratton.com.au, Briggs & Stratton Australia Pty OY, 1 Moorebank kadulle, NSW, Australiassa, 2170.

Takuuajaksi alkaa ostopäivästä ensimmäisen vähittäiskaupan tai kaupallisen kuluttajan. "Kuluttaja käyttöä" tarkoittaa yksityisten kotitalouksien käyttöön vähittäsi.

"Kaupallinen käyttö" tarkoittaa muita käyttökohteita, mukaan lukien kaupalliset, tuottoja tuottavat tai vuokraustarkoitukset. Jos tuote on kerrankin ollut kaupallisessa käytössä, sen katsotaan olevan kaupallisessa käytössä koko takuuajan siitä alkaen.

Varmistaaksesi nopean ja täydellisen takuun kattavuuden, rekisteröi tuotteesi yläpuolella mainitulla verkkosivustolla tai osoitteessa [www.onlineproductregistration.com](http://www.onlineproductregistration.com), tai postita täytetty rekisteröintikortti (jos sellainen on annettu), tai soita 1-800-743-4115 (USA:ssa).

Säästä ostokuitti todisteena ostoksesta. Jos et tarjoa todistetta alkuperäisestä ostopäivästä sillä hetkellä, kun pyydät takuuhoitoa, tuotteen valmistuspäivää käytetään määrittämään takuuajaa. Tuotteen rekisteröinti ei tarvitse takuuhoitoon saamiseksi on Briggs & Stratton products (tuotteet).

**LISÄTIETOA TAKUUSTA**

Takuuhoitoa antavat vain Briggs & Stratton valtuutettuun huoltoliikkeet. Useimmat takuukorjaukset hoidetaan rutiininomaisesti, mutta joskus takuukorjauspyynnöt ei ehkä ole tarkoituksenmukaista. Tämä takuu kattaa vain materiaali- tai valmistusvirhe. Se ei kata vahinkoja, jotka johtuvat virheellisestä käytöstä tai väärinkäytöstä, virheellisestä huollosta tai korjauksesta, tavallisesta kulumisesta, tai väljähtäneen tai hyväksymättömän polttoaineen käytöstä.

**Virheellinen käyttö ja väärinkäyttö** - Oikea, käyttötarkoituksen mukaisesti on kuvattu käyttöohjeessa. Tämä takuu ei kata tuotteen käyttämistä tavalla, jota ei ole kuvattu käyttöoppaassa, tai tuotteen käyttämistä sen jälkeen, kun se on vahingoittunut. Takuu ei myöskään kata tuotteita, joista on poistettu sarjanumero, tai tuotteita, joita on muokattu tai muunneltu millään tavoin, tai jos tuotteessa on todisteita väärinkäytöstä, kuten iskuvaurioita tai veden/kemikaalien aiheuttamia syöpymisvaurioita.

**Virheellinen huolto tai korjaus** - Tämä tuote on säilytettävä menettelyjen mukaisesti ja aikataulut annetaan käyttöohje, ja huoltaa tai korjata käyttämällä aitoja Briggs & Stratton varaosia tai vastaavia. Aiheuttamia vahinkoja huollon puutteesta tai muiden kuin alkuperäisten osien eivät kuulu takuun piiriin.

**Normaali kuluminen** - Useimpien mekaanisten laitteiden tavoin hankkimasi kone kuluu, vaikka sitä huolletaan asianmukaisesti. Tämä takuu ei kata korjauksia silloin, kun normaali käyttö on kuluttanut jonkin osan tai välineen loppuun. Huolto- ja kuluvat osat, kuten suodattimet, hihnat, terät, jarrupalat (paitsi moottorin jarrupalat) eivät kuulu takuun piiriin, jos kyse on pelkästään niiden kulumisesta, ellei kuluminen johdu virheistä materiaalissa tai valmistuksessa.

**Tunkkainen tai hyväksymättömiä polttoaineen** - Toimiakseen kunnolla, tämä tuote vaatii tuoretta polttoainetta, joka vastaa määritettyjen perusteiden käyttöohjeeseen. Takuu ei kata moottori- tai välinevahinkoja, jotka johtuvat väljähtäneen tai hyväksymättömän polttoaineen (kuten E15 ja E85 etanolisekoitusten) käytöstä.

**Muut poikkeukset** - Tämä takuu ei koske vaurioita johtuen onnettomuudesta, väärinkäytöstä, muutokset, muutokset, sopimaton huolto, jäädyttäminen tai kemiallista heikkenemistä. Lisäosat tai -varusteet, jotka eivät tulleet alun perin tuotteen mukana, eivät myöskään kuulu takuun piiriin. Ei ole takuuta lähetyksenä käytettäviä laitteita ensisijaisen tehon sijasta verkkovirtaa tai laitteet, joita käytetään lääketieteen sovelluksissa. Tämä takuu ei sisällä käytettyä, kunnostettua, käytettyä, tai esittely laitteita tai moottoreita. Tämä takuu poissulkee myös viat, jotka johtuvat luonnonilmiöistä tai muista force majeure -tapahtumista, joihin valmistaja ei voi vaikuttaa.

# Table des matières

Symboles de sécurité et contrôle	4
Description de l'équipement	4
Assemblage	5
Fonctions et commandes	5
Fonctionnement	4
Entretien	7
Stockage	7
Dépannage	8
Spécifications	8
Garantie	10

## Symboles de sécurité et contrôle

Un symbole de sécurité peut être utilisé pour représenter le type de danger. **AVERTISSEMENT** indique un danger qui, s'il n'est pas écarté, pourrait provoquer de graves blessures, voire la mort. **AVIS** s'adresse à des pratiques qui ne sont pas reliées aux blessures personnelles.



Lire le manuel



Choc électrique



Incendie



Eau non potable



Symbole d'alerte de sécurité



Injection de fluide



Objets volants



Brûlure chimique



On (Marche)



Off (Arrêt)



Chute



Ne jamais diriger le pistolet pulvérisateur vers vous-même, vers d'autres personnes ni des animaux. Ne jamais pulvériser à proximité d'une source électrique ou vers un appareil électrique.

Chaque effort a été fait pour s'assurer que les informations dans ce manuel sont exactes et à jour. Cependant, nous nous réservons le droit de modifier, d'altérer, ou d'améliorer le produit et ce document à tout moment et sans préavis.

### AVERTISSEMENT

- Cet appareil a été conçu pour être utilisé avec l'agent de nettoyage fourni ou préconisé par le fabricant. L'utilisation d'autres agents de nettoyage ou produits chimiques peut nuire à la sécurité de l'appareil.

- Les jets haute pression peuvent être dangereux en cas d'utilisation anormale. Le jet ne doit pas être dirigé vers des personnes, des appareils électriques sous tension ou l'appareil lui-même.
- N'utilisez pas l'appareil à proximité des personnes à moins qu'elles ne portent des vêtements de protection.
- Ne dirigez pas le jet vers vous ou d'autres personnes pour nettoyer les vêtements ou les chaussures.
- Risque d'explosion – Ne pulvérisez pas sur des liquides inflammables.
- Les nettoyeurs haute pression ne doivent pas être utilisés par les enfants ou par un personnel non qualifié.
- Les tuyaux, les raccords et les coupleurs haute pression sont importants du point de vue de la sécurité de l'appareil. Utilisez uniquement des tuyaux, des raccords et des coupleurs préconisés par le fabricant.
- Pour assurer la sécurité de l'appareil, utilisez uniquement des pièces de rechange d'origine ou approuvées par le fabricant.
- L'eau qui a coulé à travers un clapet antiretour est considérée comme non potable.
- Débranchez la fiche de la prise pour couper l'alimentation électrique pendant le nettoyage ou l'entretien, ainsi que pendant le remplacement des pièces.
- N'utilisez pas l'appareil si le cordon ou d'autres pièces importantes (par exemple : les dispositifs de sécurité, les tuyaux haute pression, le pistolet à gâchette) sont endommagés.
- N'utilisez pas de rallonge électrique avec ce nettoyeur haute pression.
- Basculez toujours l'interrupteur général en position OFF (ARRÊT) avant de laisser l'appareil sans surveillance.

### Description de l'équipement



Lisez ce manuel soigneusement et familiarisez-vous avec le nettoyeur haute pression. Prenez connaissance de ses applications, ses limitations et tous les dangers que cela implique. Gardez ce mode original d'emploi pour futures références.

Ce nettoyeur haute pression fonctionne avec un maximum de 12,0 MPa (120 BAR ou 1 740 bars (livre par pouce carré)) et un débit jusqu'à 15,00 LPM (litres par minute) (4,0 GPM (gallons) par minute)).

Cet appareil ne doit pas être utilisé par des personnes (y compris des enfants) aux capacités physiques, sensorielles ou mentales réduites, ou qui manquent d'expérience et de connaissances, sauf si celles-ci sont supervisées et qu'on leur explique clairement le fonctionnement de l'appareil et qu'elles sont conscientes des dangers inhérents à son utilisation.

**AVIS** Si vous avez des questions à propos de son utilisation, demandez à votre revendeur ou contactez le centre de service qualifié. NE JAMAIS utiliser des unités avec des pièces cassées ou manquantes, ou sans boîtiers ou couvercles protecteurs. NE JAMAIS contourner le dispositif de sécurité sur cette machine. NE JAMAIS modifier le nettoyeur à haute pression en aucune façon. Cet équipement est désigné pour être utilisé avec les pièces détachées de Briggs & Stratton **SEULEMENT**.

## POWERflow+ Technologie

POWERflow+ Technologie de Briggs & Stratton est un système de composants qui fonctionnent ensemble pour fournir une capacité de haut débit. La force de la POWERflow+ se trouve dans la pompe avec deux modes de nettoyage séparés ; haute pression et haut débit qui améliore le nettoyage en fournissant une portée étendue, un savonnage énergétique et des capacités de rinçage plus rapides.

### Protection du dispositif différentiel mobile

Ce nettoyeur haute pression est muni d'un dispositif différentiel mobile (PRCD) intégré dans la prise du cordon d'alimentation. Ce dispositif fournit une protection additionnelle contre le risque de choc électrique. Le PRCD fournit une protection de 10 mA.

### Coupage automatique

Un détecteur coupera le moteur quand la détente du pistolet-pulvérisateur sera relâchée ou verrouillée. Si le moteur continue à fonctionner alors que la détente du pistolet-pulvérisateur est relâchée ou verrouillée, NE PAS UTILISER L'APPAREIL. Contacter un agent de service agréé Briggs & Stratton.

**AVIS** Le commutateur MARCHE/ARRÊT doit toujours se trouver en position ARRÊT (OFF) (0) quand le nettoyeur haute pression n'est pas en service.

### Surcharge du moteur

Un dispositif de protection contre les surcharges coupe automatiquement le moteur s'il surchauffe ou effectue un appel de courant excessif. Si le dispositif se déclenche, déconnectez l'alimentation en appuyant sur le commutateur maître MARCHE/ARRÊT (ON/OFF) en position (0). Laissez l'unité refroidir pendant 30 minutes et appuyez sur le commutateur MARCHE/ARRÊT(ON/OFF) en position ON (1).

### Recyclage UE



Ce symbole indique que toute personne en possession de piles et d'appareils électriques ou électroniques ne doit pas jeter ces produits dans les ordures ménagères recueillies non triées par la municipalité. Ce type de produit doit être jeté dans des conteneurs spécifiquement prévus à cet effet, qui garantissent le respect de l'environnement. Contactez Briggs & Stratton ou votre distributeur local pour obtenir davantage d'informations sur le recyclage des appareils électriques/électroniques.

## Assemblage

### Attachez les tubes de support et la poignée

Figure 1 2

1. Faites glisser les supports (1,A) dans les fentes. Alignez et attachez avec des vis (1,B). Maintenez l'alignement tout en serrant.
2. Placer les poignées (2,A) dans les supports et aligner les trous.
3. Insérez les boulons de transport (2,B) à travers les trous depuis l'intérieur de l'unité, fixez-les avec les boulons en plastique (2,C), et serrez.

## Fonctions et commandes Figure 3

<b>A</b>	Pistolet -pulvérisateur	<b>G</b>	Cordon électrique avec PRCD
<b>B</b>	Buse 7-en-1	<b>H</b>	Étiquette d'identification
<b>C</b>	Plateau d'accessoires	<b>J</b>	Arrivée d'alimentation d'eau n
<b>D</b>	Réservoir à détergent	<b>K</b>	Sortie haute pressio
<b>E</b>	nterrupteur maître Marche/Arrêt	<b>L</b>	Embout de buse
<b>F</b>	Tuyau à haute pression		

## Fonctionnement

### Raccordez le tuyau et l'alimentation d'eau

Figure 3 4 6

**AVIS** Utilisez SEULEMENT de l'eau froide (moins que 38 °C (100°F)).

1. Visser le tuyau spécial haute pression (3,F) dans le pistolet (3,A).
2. Fixez le tuyau haute pression bleu (3,F) à la sortie (3,K) et serrez.
3. Confirmez que le filtre d'arrivée d'eau et la rondelle noire en caoutchouc soient installés sur le raccord d'arrivée d'eau (4,A).
4. Fixez le raccord d'arrivée d'eau (4,B) à l'entrée et serrez.

**AVIS** Pour de meilleurs résultats, raccordez uniquement à une source d'eau pouvant fournir plus de 5 GPM (18.9 l) et 25-75 psi (1,72-5,17 bar) sur l'extrémité du nettoyeur haute pression électrique du tuyau d'arrosage.

5. Faites couler l'eau à travers le tuyau d'arrosage pour enlever les débris.

**AVIS** L'utilisation d'un dispositif anti-refoulement à l'entrée de la pompe pourrait l'endommager. Il doit y avoir au moins 3 m (10 pi.) de tuyau plat entre l'entrée du nettoyeur haute pression et le clapet anti-retour.



**AVERTISSEMENT!** L'eau qui s'est écoulée à travers un clapet anti-retour est considérée non potable.

6. Branchez le tuyau d'arrosage (4,C) (ne pas excéder 15 m (50 ft.)) à l'entrée de l'eau (4,B) et serrez.
7. Ouvrez l'eau, pointez le pistolet dans une direction sûre, appuyez sur le bouton de verrouillage de la détente (5,A), puis appuyez sur la détente pour purger le système d'air.
8. Fixez l'extension de la buse (3,L) au pistolet-pulvérisateur (3,A). Serrer à la main.
9. Tirez sur le collier de l'extension de la buse, (7,A), insérez la buse 7-en-1 (7,B) et relâchez. Tirez sur l'embout du pulvérisateur et fixez le en place. Voir *Buse 7-en-1*.

### Démarrez le nettoyeur à haute pression

Figure 3 9



**AVERTISSEMENT !** La pulvérisation peut éclabousser ou projeter des objets pouvant provoquer de graves blessures. Portez toujours des lunettes de protection (contre les éclaboussures de produits chimiques) conforme à la norme AS/NZS 1337 (ANSI Z87.1) lors de l'utilisation ou à proximité de cet équipement.

1. Appuyez sur le commutateur maître MARCHE/ARRÊT (3,E) en position OFF (0).



**AVERTISSEMENT !** Risque d'électrocution. Toucher une source d'alimentation électrique peut causer des chocs électriques ou des brûlures entraînant la mort ou de graves blessures. N'utilisez PAS de rallonge avec ce nettoyeur haute pression. Votre boîtier de circuit électrique ou rallonge peut ne pas fournir de dispositif différentiel mobile de sauvetage (PRCD).

2. Branchez le cordon d'alimentation électrique (3,G) sur un circuit électrique dédié calibré pour 220-240 volts CA à 10 Ampères, correctement installé conformément à tous les codes et ordonnances locaux. Le circuit ne doit pas alimenter d'autres besoins électriques.
3. Appuyez sur le bouton de RÉINITIALISATION (8,C). Le témoin indicateur (8,B) doit être sur ON.

**AVIS** Le témoin indicateur doit être sur ON pour que le nettoyeur électrique haute pression électrique fonctionne.

- Appuyez sur le bouton de TEST (8,A). Le témoin indicateur (8,B) doit être sur OFF.
- Appuyez sur le bouton de RÉINITIALISATION (8,C). Le témoin indicateur (8,B) doit être sur ON.



**AVERTISSEMENT !** Risque d'électrocution. Un PRCD ne fonctionnant pas peut entraîner la mort ou de graves blessures. Si le témoin indicateur ne reste pas en marche après le test et la réinitialisation n'utilisez pas le PRCD.

- Appuyez sur le commutateur maître MARCHÉ/ARRÊT en position ON (MARCHÉ) (I).
- Pointez le pistolet dans une direction sûre, appuyez sur le bouton de verrouillage de la détente et pressez la détente.

Le moteur démarrera et s'arrêtera quand la détente du pistolet-pulvérisateur sera pressée et relâchée.

### Buse 7-en-1 Figure 11

La buse 7-en-1 vous permet de commuter entre sept buses pulvérisateurs différentes. Relâchez la détente du pistolet-pulvérisateur pour enclencher le verrouillage de sûreté avant de changer les types de pulvérisateurs.

- Sélectionnez la buse désirée :
  - Sélectionnez un réglage de buse de Maximum 0° (A) pour les surfaces tenaces ou difficiles à atteindre telles que les surfaces des deuxième étage, l'enlèvement de peinture, les taches d'huile, l'élimination de rouille ou d'autres substances tenaces (goudron, colle, graisse, cire, etc.).
  - Sélectionnez un réglage de buse Général 15° (B) pour des tâches de nettoyage plus dures. Idéal pour éliminer la graisse et les saletés des surfaces dures. Peut également décapier la peinture si maintenu à un angle de 45°.
  - Sélectionnez le réglage de buse Doux 40° (C) pour le nettoyage doux des voitures/camions, bateaux, RV, meubles de terrasse, équipement de pelouse, etc.
  - Sélectionner le réglage de buse Vaporisation en éventail (D) pour un flux élevé optimal qui rince les saletés et débris légers.
  - Sélectionnez le réglage de buse Vaporisation en éventail avec savon (F) pour le nettoyage des surfaces délicates des voitures, camions, matériel de jeu des enfants, meubles de terrasse, etc.
  - Sélectionnez le réglage de buse Portée étendue (G) pour un nettoyage rapide à haut débit et un nettoyage longue portée des revêtements et fenêtres de deuxième étage.
  - Sélectionnez le réglage de buse Portée étendue avec savon (H) pour propulser du savon sur les revêtements et fenêtres de deuxième étage.
- Tourner le cadran jusqu'à ce que le modèle de pulvérisation souhaité soit aligné avec la flèche sur la buse 7-en-1.

### Conseils d'utilisation

- Pour un nettoyage plus efficace, maintenez la buse de pulvérisation de 20 à 61 cm (8 à 24 po) de la surface à nettoyer.
- Si vous maintenez la buse trop près, en particulier en utilisant une buse de pulvérisation à haute pression, vous risquez d'endommager la surface à nettoyer.
- NE VOUS approchez pas de plus de 15 cm (6 in) lorsque vous nettoyez les pneus.

### Application de détergent



**AVERTISSEMENT !** Les produits chimiques pourraient causer des brûlures entraînant la mort ou de graves blessures. N'UTILISEZ PAS de liquide abrasif avec le nettoyeur haute pression. Utilisez SEULEMENT des détergents/ savons qui sont sans danger pour le nettoyeur haute pression. Suivez les instructions du fabricant.

**Pour appliquer le détergent, suivre ces étapes :**

- Enlevez le bouchon de la cuve de détergent (D) et remplissez avec une solution de détergent. Remplacez le bouchon.
- Assurez-vous que l'une des buses pulvérisateur de savon soit sélectionnée sur la buse 7-en-1.

**AVIS** Il n'est pas possible de mettre du détergent avec un réglage de buse haute pression (maximum, général, doux, vaporisation en éventail ou portée étendue).

- Appliquez le détergent sur une surface sèche, en commençant par le bas de la zone à être lavée vers le haut, en utilisant de longs coups qui se chevauchent.
- Laissez le détergent "tremper" selon les instructions du fabricant avant le lavage et le rinçage

### Rinçage du nettoyeur haute pression Figure 10

- Sélectionnez la buse haute pression souhaitée.



**AVERTISSEMENT !** Le recul du pistolet de pulvérisation pourrait vous faire tomber entraînant la mort ou des blessures graves. Faites fonctionner le nettoyeur haute pression sur une surface plane. Soyez extrêmement prudent si vous devez utiliser le nettoyeur haute pression sur une échelle, un échafaudage ou tout autre endroit similaire. Saisir fermement le pistolet à deux mains lors de l'utilisation la pulvérisation à haute pression pour éviter les blessures lors du recul du pistolet.

- Appliquez use pulvérisation à haute pression sur une petite surface et vérifiez la surface pour des dommages. Si aucun dommage n'est constaté, continuez le rinçage.
- Commencez par le haut de la zone à rincer, en descendant avec les mêmes mouvements qui se chevauchent que vous avez utilisé pour nettoyer.

### Arrêt du nettoyeur à haute pression Figure 3

- Relâchez la détente du pistolet-pulvérisateur.
- Appuyez sur le commutateur maître MARCHÉ/ARRÊT (3,E) en position OFF (0).

**AVIS** Si vous relâchez la détente, cela coupera le moteur mais ne coupera pas l'alimentation électrique allant vers l'unité.

- Fermez l'alimentation d'eau.
- Pointez TOUJOURS le pistolet-pulvérisateur dans une direction sûre, appuyez sur le bouton de verrouillage de la détente, et pressez la détente pour soulager la pression formée dans l'unité.



**AVERTISSEMENT !** Le débit d'eau à haute pression produit par cet équipement peut percer la peau et les tissus sous-cutanés, entraînant des blessures graves et même une amputation. Gardez le tuyau à haute pression connecté à la pompe et au pistolet pendant que le système est sous pression. NE PAS Laisser les ENFANTS faire fonctionner le nettoyeur à haute pression. Dirigez TOUJOURS le pistolet vers un endroit sûr, appuyez sur le bouton rouge et tenez fermement le pistolet de pulvérisation pour libérer la haute pression, à chaque fois que vous arrêtez le moteur.

- Débranchez la prise du PRCD plug (G) de la sortie et enrroulez le cordon d'alimentation sur le crochet inférieur du porte-accessoires.

6. Enveloppez le tuyau haute pression sur le crochet supérieur du porte-accessoires.
7. Stockez la buse haute pression sur l'extrémité de l'extension de la buse. Stockez le pistolet-pulvérisateur, l'extension de la buse et la buse 7-en-1 sur le porte-accessoires.

## Après chaque utilisation

L'eau ne devrait pas restée dans l'unité pour une longue période. Des sédiments ou des minéraux pourrait se déposer sur les pièces de la pompe et figer son fonctionnement.

Suivre ces procédures après chaque utilisation :

1. Démarrez le nettoyeur haute pression avec la buse à pulvérisation de savon jusqu'à ce que la cuve soit vide.
2. Ajoutez 0,5 litre d'eau dans la cuve de détergent et démarrez avec la buse à pulvérisation de savon. Rincez pendant une à deux minutes.
3. Appuyez sur le commutateur maître MARCHE/ARRÊT en position OFF (ARRÊT) (0). Enlevez la fiche du cordon d'alimentation de la prise électrique.
4. Fermez l'alimentation d'eau. Pointez le pistolet dans une direction sûre, appuyez sur le bouton de verrouillage de la détente et pressez la détente pour relâchez la pression capturée.
5. Débranchez le tuyau d'arrosage de l'arrivée d'eau. Débranchez le tuyau haute pression du pistolet et de la sortie haute pression.
6. Vidangez l'eau du tuyau et du pistolet-pulvérisateur et essuyez les surfaces extérieures.
7. Vidangez l'eau de la pompe en basculant l'unité sur son côté droit (arrivée d'eau vers le bas) pendant deux minutes. Retournez l'unité et laissez reposer sur la sortie haute pression pendant encore deux minutes.
8. Enveloppez le tuyau haute pression sur le crochet supérieur du porte-accessoires.
9. Enroulez le cordon d'alimentation sur le crochet inférieur du porte-accessoires. Stockez le pistolet-pulvérisateur, l'extension de la buse et la buse 7-en-1 sur le porte-accessoires.
10. Rangez l'appareil dans un endroit propre et sec.
11. Si l'unité est stockée pour plus de 30 jours voir Stockage.

## Entretien

### Recommandations générales

Un entretien régulier améliorera la performance et prolongera la vie du nettoyeur haute pression. Voir n'importe quel revendeur agréé de Briggs & Stratton pour le service. **NE LAISSEZ PAS** les enfants nettoyer ou même réparer un nettoyeur haute pression sans la surveillance d'un adulte.

La garantie du nettoyeur haute pression ne couvre pas les articles qui ont été victimes de sévices ou de négligence de la part de l'utilisateur. Pour être en droit d'obtenir la pleine garantie, l'utilisateur doit entretenir le nettoyeur haute pression comme indiqué dans ce manuel, y compris le stockage approprié tel que décrit dans *Stockage*.



**AVERTISSEMENT!** Pour assurer la sécurité de la machine, utiliser uniquement des pièces de rechange d'origine du fabricant ou approuvées par le fabricant. Si vous avez des questions au sujet du remplacement des pièces de votre nettoyeur haute pression, veuillez visitez notre site web à [BRIGGSandSTRATTON.COM](http://BRIGGSandSTRATTON.COM). Si le cordon est endommagé, contactez un centre de réparations Briggs & Stratton agréé.

## Entretien buse

Nettoyez la buse pour corriger la pression excessive de la pompe causée par une buse de pulvérisation bouchée :

1. Appuyez sur le commutateur maître MARCHE/ARRÊT en position OFF (ARRÊT) (0). Enlevez la fiche du cordon d'alimentation de la prise électrique.
2. Retirez la buse de pulvérisation 7-en-1 de l'extrémité de l'extension de la buse.
3. Utilisez un trombone pour libérer tous les matériaux étrangers qui bouchent la buse.
4. Réinstallez la buse 7-en-1 dans l'extension de buse.

## Entretien du joint torique Figure 10

L'utilisation d'un lubrifiant (graisse pétrole ou synthétique) aide la mise en place du joint torique assurant une étanchéité améliorée. Appliquez un lubrifiant sur les joints toriques avant d'assembler le tuyau haute pression (A), le tuyau haute pression (B), pistolet-pulvérisateur (C), et la lance en plastique (D).

Achetez un kit d'entretien de joint torique en contactant le revendeur agréé de Briggs & Stratton. **NE JAMAIS** réparer les fuites de connexion avec des joints de n'importe quel type. Remplacez le joint torique ou le joint.

## Remplacement du fusible du PRCD Figure 11



**AVERTISSEMENT!** Pour réduire le risque d'incendie, remplacer uniquement avec un fusible de 13 ampères et de classification BS 1362.

Si équipé d'un fusible dans le PRCD :

1. Localiser le fusible sur le côté broche de la prise du PRCD.
2. À l'aide d'un tournevis à tête plate, enlever le couvercle (A) et l'ensemble du fusible. Enlever le fusible (B) du couvercle. Remplacer le fusible avec un fusible de 13 ampères et de classification BS 1362.
3. Insérer le couvercle et l'ensemble du fusible.

## Stockage

Suivez les étapes 1-10 dans *Après chaque utilisation*.

**AVIS** L'eau restée dans la pompe peut geler et endommager la pompe de manière permanente. Les dommages dus par le gel ne sont pas couverts par la garantie.

## Protéger la pompe

Pour protéger la pompe contre les dommages causés par des dépôts minéraux ou de congélation, utiliser PumpSaver pour éviter les dommages causés le gel et lubrifier les pistons et les joints.

**AVIS** Ne pas protéger l'appareil contre le gel pourrait endommager la pompe et rendre l'appareil inutilisable. Les dommages dus par le gel ne sont pas couverts par la garantie.

## Conseils de stockage final

1. Enveloppez le tuyau haute pression sur le crochet supérieur du porte-accessoires.
2. Enroulez le cordon d'alimentation sur le crochet inférieur du porte-accessoires.
3. Stockez le pistolet-pulvérisateur, l'extension de la buse et la buse 7-en-1 sur le porte-accessoires
4. Couvrez l'unité avec un cache de protection qui ne retient pas l'humidité et stockez dans un endroit propre et sec et protégé des températures glaciales.

# Dépannage

Problèmes	Causes	Solutions
<b>La pompe rencontre les problèmes suivants : échec de production de pression, pression irrégulière, claquement, perte de pression, faible volume d'eau.</b>	<ol style="list-style-type: none"> <li>1. L'arrivée d'eau est bloquée.</li> <li>2. Alimentation d'eau inappropriée.</li> <li>3. La sortie d'eau est entortillée ou a une fuite.</li> <li>4. Filtre d'arrivée d'eau obstrué.</li> <li>5. La buse de pulvérisation est obstruée.</li> </ol>	<ol style="list-style-type: none"> <li>1. Nettoyez l'arrivée d'eau.</li> <li>2. Fournir un débit d'eau adéquate.</li> <li>3. Redressez le tuyau d'arrosage ou remplacez-le s'il fuit.</li> <li>4. Nettoyez ou remplacez le filtre de l'arrivée d'eau.</li> <li>5. Nettoyez le buse de pulvérisation.</li> </ol>
<b>L'unité n'arrive pas à démarrer quand on presses sur la détente du pistolet-pulvérisateur.</b>	<ol style="list-style-type: none"> <li>1. L'alimentation d'eau n'est pas ouverte.</li> <li>2. L'unité n'est pas allumée.</li> <li>3. Le tuyau d'arrosage est trop long.</li> <li>4. Fusible grillé ou disjoncteur déclenché.</li> </ol>	<ol style="list-style-type: none"> <li>1. Ouvrez l'alimentation d'eau.</li> <li>2. Appuyez sur le commutateur maître MARCHE/ARRÊT en position ON (MARCHE) (I). Réinitialisez le PRCD.</li> <li>3. Utilisez uniquement un tuyau d'arrosage de 15,24 m (50 ft.) maximum.</li> <li>4. a.) Remplacez le fusible ou réinitialisez le disjoncteur.</li> <li>5. b.) Débranchez les autres appareils électriques et coupez les lumières sur le circuit ou faites fonctionner sur un circuit dédié. c.) Faites fonctionner 5 minutes avec la buse de pulvérisation turbo.</li> </ol>
<b>Le détergent ne se mélange pas avec le pulvérisateur.</b>	<ol style="list-style-type: none"> <li>1. La buse de pulvérisation haute pression est installée.</li> <li>2. Pression d'alimentation d'eau d'arrivée trop élevée.</li> </ol>	<ol style="list-style-type: none"> <li>1. Installez la buse de pulvérisation.</li> <li>2. Fermez lentement la vanne d'alimentation d'eau jusqu'à ce que le produit chimique commence à être puisé.</li> </ol>
<b>Raccords de tuyau qui fuient.</b>	<ol style="list-style-type: none"> <li>1. Tuyau d'arrosage desserré sur arrivée d'eau.</li> <li>2. Raccords de tuyau haute pression desserré.</li> <li>3. Joint torique endommagé.¶</li> </ol>	<ol style="list-style-type: none"> <li>1. Tuyau d'arrosage serré à la main.</li> <li>2. Enlevez le tuyau et réinstallez.</li> <li>3. Remplacez le joint torique.</li> </ol>

Pour toutes autres questions, voir un revendeur Briggs & Stratton.

## Spécifications

Pression admissible	MPa/BAR/PSI	16,0/160/2,320*
Débit Maximum	LPM/GPM	15,0/4,0*
Pression et débit nominaux	MPa/BAR/PSI @ LPM/GPM	12/120/1,740 @ 5,5/1,45
Température d'alimentation d'eau	°C/°F	38/100
Tension nominale	V	220 - 240
Fréquence nominale	Hz	50/60
Consommation électrique	W	2,500
Actuel	A	9,0
Classe de protection	Classe	Classe II
Degré de protection	IP xx	IPX5
Vibration main-bras $a_{hd}$ Incertitude K	$m/s^2$ $m/s^2$	$\leq 2,5^*$ $0,2^*$
Niveau de pression sonore $L_{pA}$ Incertitude $K_{pA}$	dB(A) dB(A)	$74^*$ $2^*$
Niveau de puissance sonore $L_{WA}$	dB(A)	$94^*$
Niveau de puissance acoustique garanti $L_{WA,d}$	dB(A)	$96^*$

\* Selon EN 60335-2-79: 2012.

# Déclaration de conformité CE

## Lavorwash spa

Via J.F.Kennedy, 12 – 46020 Pegognaga (MN) – Italie

Cette déclaration de conformité engage la seule responsabilité du fabricant. Ce document a pour objet de certifier que les produits énumérés dans ce document sont conformes à la loi européenne correspondante visant à l'harmonisation des produits et qu'ils peuvent porter le marquage CE. Ces modèles sont conformes aux Directives suivantes ainsi qu'aux normes qui leur sont associées.

**Produit :** Machine à nettoyer à haute pression

**Modèle - Type :** BPW1800PX

### Directives européennes

2006/42/EC (+2009/127/EC)

2006/95/EC

2004/108/EC

2000/14/EC (+2005/88/EC)

2011/65/EU (+2015/863/EU)

2014/35/EU ≥ 2016-04-20

2014/30/EU ≥ 2016-04-20

### Normes européennes

EN 60335-1:2012

EN 60335-2-79:2012

EN 62233:2008

EN 55014-1:2006+A1:2009+A2:2011

EN 55014-2:1997+A1:2001+A2:2008

EN 61000-3-2:2006+A1:2009+A2:2009

EN 61000-3-3:2013

EN 50581:2012

### Niveau de puissance sonore

Nombre de dB (A) mesurées : **94**

Nombre de dB (A) garanties : **96**

2000/14/EC : La machine est définie par la rubrique 27 de l'Annexe I. Procédure d'évaluation de la conformité, conformément à l'Annexe V.

Le dossier technique est physiquement disponible à l'adresse suivante : Lavorwash spa, via J.F.Kennedy, 12 - 46020 Pegognaga (MN) – Italie.

Lavorwash S.p.A  
via J.F.Kennedy, 12  
46020 Pegognaga  
(MN) - Pegognaga, en Italie, le 15 octobre 2015



Giancarlo Lanfredi  
Directeur général

**GARANTIE LIMITÉE**

Briggs & Stratton garantissent que, pendant la période de garantie spécifiée ci-dessous, il réparera ou remplacera, sans frais, toute pièce présentant des déficiences matérielles ou de fabrication ou les deux. Les frais de transport du produit pour réparation ou remplacement en vertu de cette garantie seront à la charge de l'acheteur. Cette garantie est en vigueur pendant et est soumise aux périodes et conditions énoncées ci-dessous. Pour le service de garantie, vous trouverez le centre de réparations agréé le plus proche dans notre carte des points de vente à l'adresse BRIGGSandSTRATTON.COM. L'acheteur doit communiquer avec le réparateur agréé, puis mettre le produit à disposition du réparateur agréé pour inspection et essais.

**Il n'existe aucune autre garantie expresse. Les garanties implicites, y compris celles de qualité marchande et d'adaptation à un emploi sont limitées à la période mentionnée ci-après ou conformément à ce qui est prévu par la loi. La responsabilité pour les dommages indirects ou consécutifs est exclue dans la mesure autorisée par la loi.** Certains états ou pays ne permettent pas de limitations sur la durée d'une garantie implicite et certains pays ou états n'autorisent pas l'exclusion ou la limitation des dommages fortuits ou consécutifs, les limitations et les exclusions ci-dessus peuvent ne pas s'appliquer à vous. Cette garantie vous accorde des droits spécifiques, mais vous pouvez aussi jouir d'autres droits, lesquels varient d'un état ou d'un pays à l'autre.\*\*

**PÉRIODE DE GARANTIE****Usage privé****Usage commercial**

12 mois

Aucune

\*\* En Australie — Nos produits sont livrés avec des garanties qui ne peuvent pas être exclues sous la Australian Consumer Law. Vous avez le droit à un remplacement ou à un remboursement en cas de panne majeure et à titre de compensation pour toute autre perte ou dommage raisonnablement prévisible. Vous avez également le droit à faire réparer ou remplacer les produits s'ils ne sont pas de qualité acceptable et si la panne n'équivaut pas à une panne majeure. Pour obtenir le service de garantie, trouvez le détaillant de service autorisé le plus près sur notre carte d'emplacement des détaillants sous BRIGGSandSTRATTON.COM, ou composez le 1300 274 447, ou envoyez un courriel ou écrivez à salesenquires@briggsandstratton.com.au, Briggs & Stratton Australia Pty Ltd, 1 Moorebank Avenue, NSW, Australia, 2170. La période de garantie commence à la date d'achat par le premier acheteur particulier ou professionnel. « Usage privé » signifie l'usage qu'en fait l'acheteur dans le cadre de l'entretien de sa propriété résidentielle privée. « Usage commercial » désigne tous les autres usages, y compris l'usage commercial, à but lucratif, ou à des fins de location. Une fois qu'un produit a été utilisé à des fins commerciales, il sera par la suite considéré comme un produit d'utilisation commerciale aux fins de la présente garantie.

Afin d'assurer une couverture totale et rapide de la garantie, enregistrez votre produit sur le site Web indiqué ci-dessus ou sur [www.onlineproductregistration.com](http://www.onlineproductregistration.com), ou

bien envoyez par la poste la carte d'enregistrement de la garantie remplie (si elle est fournie), ou composez le 1-800-743-4115 (aux É.-U.).

Enregistrez votre preuve d'achat. Si vous ne fournissez pas une preuve de la date d'achat initial au service de garantie lorsqu'elle est demandée, la date de fabrication du produit sera utilisée pour déterminer la période de garantie. L'enregistrement du produit n'est pas nécessaire pour obtenir un service de garantie de Briggs & Stratton products.

**À PROPOS DE VOTRE GARANTIE**

Le service de garantie est disponible uniquement par les réparateurs agréés de Briggs & Stratton. La plupart des réparations sur garantie sont gérées régulièrement, parfois, cependant, certains recours au service de la garantie peuvent s'avérer inappropriés. Cette garantie couvre uniquement les défauts matériels et de fabrication. Elle ne couvre pas les dommages causés par un mauvais usage ou un abus, un défaut d'entretien ou de réparation, l'usure normale, ou encore l'usage de carburant non homologué ou périmé.

**Mauvaise utilisation et abus** - Une bonne utilisation, telle que prévue, du produit est décrite dans le manuel de l'utilisateur. Utiliser le produit d'une manière qui n'est pas décrite dans le manuel de l'utilisateur ou l'utiliser après qu'il soit endommagé, ne sera pas couvert par cette garantie. Vous ne pouvez pas prévaloir de la garantie si le numéro de série du produit a été retiré, si le produit a été modifié, d'une manière quelconque ou s'il présente des preuves d'utilisation abusives, telles que des marques de coups, ou de corrosion par l'eau ou par des produits chimiques.

**Mauvais entretien ou réparation** - Ce produit doit être entretenu conformément aux procédures et aux intervalles indiqués dans le manuel de l'opérateur, l'entretien et les réparations doivent être effectués avec des pièces d'origine ou équivalentes de Briggs & Stratton. Les dommages dus à des défauts d'entretien, ou à l'utilisation de pièces qui ne sont pas les pièces d'origine, ne sont pas couverts par la garantie.

**Usure normale** - Comme la plupart des appareils mécaniques, malgré un bon entretien, le vôtre est sujet à une usure. La garantie ne couvre pas les réparations quand un usage normal a abouti à l'usure complète d'un élément de l'appareil. Les pièces d'entretien et d'usure tels que les filtres, courroies, lames tranchantes, et plaquettes de frein (à l'exception des plaquettes de frein moteur) ne sont pas couverts par la garantie due à l'usure caractéristique seule, à moins que la cause est due à des défauts de matériaux ou de fabrication.

**Carburant éventé ou non autorisé** - Afin de fonctionner correctement, ce produit exige du carburant frais qui se conforme aux critères spécifiés dans le manuel de l'opérateur. Les dommages au moteur ou à l'équipement causés par du carburant vicié ou par l'utilisation de carburants non autorisés (comme E15 ou des mélanges d'éthanol E85) ne sont pas couverts par la garantie.

**Autres exclusions** - Cette garantie exclut les dommages causés par un accident, un excès, une modification, une altération, un mauvais entretien, le gel et toute détérioration provoquée par des produits chimiques. Les pièces ou accessoires qui ne sont pas d'origine fournis avec le produit sont également exclus. Il n'y a aucune garantie sur l'équipement utilisé pour l'alimentation primaire à la place de l'alimentation secteur ou sur l'équipement utilisé dans les applications de support de vie.

Cette garantie n'inclut pas les appareils ou moteurs utilisés, remis à neuf, d'occasion, ou de démonstration. Cette garantie exclut également les défaillances dues à des catastrophes naturelles et autres événements de force majeure indépendantes de la volonté du fabricant.

80011059\_EN Rev -

## Sadržaj

Символи за безопасност и контрол . . . . .	4
Opis uređaja . . . . .	4
Montaža . . . . .	5
Značajke i rukovanje . . . . .	5
Експлоатација . . . . .	5
Održavanje . . . . .	7
Skladištenje . . . . .	7
Identifikacija problema . . . . .	8
Specifikacije . . . . .	8
Jamstvo . . . . .	10

## Символи за безопасност и контрол

Vrsta opasnosti može se predstaviti sigurnosnim simbolom. **UPOZORENJE** označava opasnost koja, ako se ne izbjegne, može rezultirati smrću ili teškom ozljedom. **OBAVIJEST** se odnosi na postupke nevezane za osobne ozljede.



Pročitajte upute



Kuglični



Uštrcavanje tekućine



Vatra



Nepitka voda



Vruća površina



Leteći predmeti



Знак сигурноснога упозорења



Искључено



Укљ



Кемичке оепеклине



Nikada ne usmjeravajte mlazni pištolj na sebe, druge ljude ili životinje. Nikad nemojte raspršivati blizini izvora struje ili same jedinice.

Ovaj stroj nije namijenjen za uporabu od strane osoba (uključujući tu i djecu) sa smanjenim tjelesnim, osjetilnim i mentalnim sposobnostima, te sa manjkom iskustva i poznavanja, osim pod nadzorom i ako su primile upute glede sigurne uporabe te razumiju uključene opasnosti.

### UPOZORENJE

- Ovaj uređaj osmišljen je za uporabu sa sredstvom za čišćenje koje isporučuje ili preporučuje proizvođač. Uporaba drugih sredstava za čišćenje ili kemikalija može štetno djelovati na sigurno rukovanje uređajem.
- Visokotlačni mlazovi mogu biti opasni ako se nepravilno upotrebljavaju. Mlaz se ne smije usmjeravati prema osobama, električnoj opremi pod naponom ili samom uređaju.

- Ne upotrebljavajte uređaj u blizini osoba osim ako one ne nose zaštitnu odjeću.
- Ne usmjeravajte mlaz prema sebi ili drugima kako biste očistili odjeću ili obuću.
- Rizik od eksplozije – ne prskajte zapaljive tekućine.
- Visokotlačne perače ne smiju upotrebljavati djeca ili neobučeno osoblje.
- Visokotlačna crijeva, priključci i spojnice važni su za sigurno rukovanje uređajem. Upotrebljavajte samo crijeva, priključke i spojnice koje je preporučio proizvođač.
- Kako bi se uređajem moglo sigurno rukovati, koristite samo originalne zamjenske dijelove koje je proizveo ili odobrio proizvođač uređaja.
- Voda koja protječe kroz zapornike povratnoga toka ne smije se piti.
- Izvucite utikač iz utičnice kako biste prekinuli napajanje uređaja tijekom izvođenja postupaka čišćenja ili održavanja ili tijekom mijenjanja zamjenskih dijelova.
- Ne upotrebljavajte uređaj ako su kabel ili važni dijelovi uređaja oštećeni, npr. zaštitni uređaji, visokotlačna crijeva, pištolj s otponcem.
- Ne upotrebljavajte produžni kabel s ovim električnim tlačnim peraćem.
- Isključite uvijek glavni prekidač kada uređaj nije pod nadzorom.

## Opis opreme



**Pažljivo pročitajte priručnik i upoznajte se s tlačnim peraćem. Upoznajte se s njegovom primjenom, ograničenjima i svim opasnostima kod uporabe. Spremite ove originalne upute radi buduće uporabe.**

Ovaj tlačni perać radi s maksimalnim tlakom od 12,0 MPa (120 BAR or 1,740 PSI (funti po kvadratnom inču)) uz brzinu protoka od 15,00 LPM (litara u minuti) (4,0 GPM (galona u minuti)).

Uloženi su svi napori kako bi se osiguralo da su informacije u ovom priručniku točne i aktualne. Međutim, mi zadržavamo pravo na vršenje izmjena, modifikacija ili drugih unaprjeđenja proizvoda i ovoga dokumenta u svako vrijeme i bez prethodnog obavještenja.

**NAPOMENA** Ako imate pitanja o uporabi uređaja, upitajte zastupnika ili se obratite stručnom servisnom centru. NIKAD nemojte rukovati jedinicama sa pokvarenim ili nedostajućim dijelovima, ili bez zaštitnog kućišta ili pokrova. NEMOJTE izbjegavati bilo koji sigurnosni uređaji na ovom stroju. NEMOJTE ni na koji način vršiti izmjene na perilici pod tlakom. Ovaj je uređaj dizajniran **SAMO** za uporabu s ovlaštenim dijelovima Briggs & Stratton Power proizvoda.

### POWERflow+ Tehnologija

Briggs & Stratton POWERflow + tehnologija je sustav komponenti koje zajedno pružaju čišćenje s visokim protokom. Snaga iza POWERflow+ je crpka s dva različita načina čišćenja: visoki tlak i visoki protok koji poboljšava čišćenje osiguravanjem produženog raspona, nanošenja sapunice i sposobnosti za bržim ispiranjem.

## Prijenosni uređaj za zaštitu od zaostale struje

Tlačni perać opremljen je s uređajem za zaštitu od zaostale struje ugrađenim u utikač kabela za napajanje. Uređaj osigurava dodatnu zaštitu od strujnog udara. PRCD pruža zaštitu od 10 mA.

### Automatsko isključivanje

Senzor će isključiti motor ako se otpusti ili zaglavi okidač pištolja. Ako motor nastavlja raditi dok je okidač pištolja zaglavljen ili otpušten, NE KORISTITE STROJ. Kontaktirajte ovlaštenog zastupnika Briggs & Stratton.

**NAPOMENA** ON/OFF prekidač treba uvijek ostati u položaju OFF (0) kada se tlačni perać ne koristi.

### Preopterećenje motora

Uređaj za zaštitu od preopterećenja automatski isključuje motor ako se pregrijava ili troši previše struje. Ako se uređaj uključi, odspojite napajanje prebacivanjem glavnog ON/OFF prekidača u položaj OFF (0). Ostavite uređaj da se hladi 30 minuta i prebacite ON/OFF prekidač u položaj ON (I).

### Odlaganje u otpad, EU



Ovaj simbol označava da vlasnik baterija i električne ili elektronske opreme ne smije odložiti ovaj proizvod s nesortiranim komunalnim otpadom. Ovaj proizvod treba odložiti na ekološki odgovarajućim mjestima za

zbrinjavanje otpada. Za dodatne informacije o odlaganju obratite se tvrtki Briggs & Stratton ili lokalnom trgovcu.

## Montaža

### Spojite potporne cijevi i ručku Slika 1 2

1. Pomjerite potpore (1,A) u utore. Poravnajte i pričvrstite vijcima (1,B). Održavajte poravnanje prilikom zatezanja.
2. Postavite ručku (2,A) na nosače i poravnajte otvore.
3. Ubacite noseće matice (2,B) kroz otvore odostraga jedinice, pričvrstite plastičnom ručicom (2,C) i zategnite.

### Značajke i rukovanje Slika 3

A	Pištolj prskalice	G	Električni kabel s/ PRCD
B	Mlaznica 7 u 1	H	Identifikacijska etiketa
C	Pladanj s priborom	J	Otvor za dovod vode
D	Spremnik deterđenta	K	Izlaz za visoki tlak
E	Glavni prekidač za uključivanje/isključivanje	L	Nastavak mlaznice
F	Crijevo za visoki tlak		

## Rad uređaja

### Povezivanje crijeva i dovoda vode Slika 3 4 6

**NAPOMENA** Koristite SAMO hladnu vodu (manje od 38°C (100°F)).

1. Zavijte visokotlačno crijevo (3,F) u pištolj (3,A).
2. Pričvrstite tlačno crijevo (3,K) na izlaz (3,K) i zategnite.
3. Provjerite da su ulazni filter i crna gumena podloška ugrađena u spoj za ulaz vode (4,A).
4. Pričvrstite ulazni spoj za vodu (4,B) na ulaz i zategnite.

**NAPOMENA** Za najbolje performanse, spojite SAMO na ulaz vode koji je sposoban isporučivati 5 GPM (18,9 l) i 25-75 psi (1.72-5.17 bar) na kraju vrtnog crijeva na električnom tlačnom peraću.

5. Pustite vodu kroz vrtno crijevo kako biste uklonili ostatke nečistoća.

**NAPOMENA** Uporaba uređaja za sprečavanje povratnog toka na ulazu u pumpu može prouzročiti oštećenje pumpe. MORATE imati najmanje 3 m (10 stopa) slobodnog vrtnog crijeva između ulaznog otvora peraća i uređaja za sprečavanje povratnog toka.



**UPOZORENJE!** Voda koja protiče kroz uređaj za sprečavanje povratnog toka smatra se nepitkom.

6. Spojite vrtno crijevo (4,C) (ne premašuje 15 m (50 ft.)) na dovod vode (4,B) i zategnite.
7. Pustite vodu, okrenite pištolj u sigurnom smjeru, pritisnite gumb blokade okidača (5,A), te stisnite okidač kako biste istisnuli zrak iz sustava.
8. Spojite nastavak mlaznice (3,L) na pištolj (3,A). Zategnite rukom.
9. Povucite prsten na nastavku mlaznice (7,A), umetnite mlaznicu 7 u 1 (7,B) i otpustite prsten. Povucite vršak prskalice kako biste se osigurali da je dobro učvršćen. Pogledajte mlaznicu 7 u 1.

### Pokrenite tlačni perać Slika 3 9



**UPOZORENJE!** Prskalice bi mogla da vas popraska unatrag ili da rasprši predmete, što može dovesti do ozbiljne ozljede. Uvijek nosite indirektno prozračivane (kemijsko ispiranje) sigurnosne naočale označene da su sukladne s ANSI Z87.1 kad rabite ili kad se u blizini ovoga uređaja.

1. Prebacite glavni prekidač ON/OFF (3,E) u položaj OFF (0).



**UPOZORENJE!** Opasnost od električnog udara. Dodir s izvorom struje može dovesti do električnog udara ili opekline, uz smrt ili ozbiljne ozljede. S ovim električnim tlačnim peraćem ne koristite produžni kabel. Vaša kućna utičnica ili produžni kabel ne mora pružati zaštitu uređaja od zaostale struje koja može spasiti život.

2. Spojite kabel za napajanje (3,G) u električnu utičnicu nazivne struje od 220-240 volti i 10 ampera izmjenične struje koja je pravilno ugrađena prema lokalnim pravilima i običajima. Krug ne smije napajati druge električne potrebe.
3. Pritisnite gumb RESET (8,C). Svjetlo pokazivača (8,B) trebalo bi biti uključeno.

**NAPOMENA** Svjetlo pokazivača mora biti uključeno da bi tlačni perać radio.



**UPOZORENJE!** Opasnost od električnog udara. Neispravni PRCD može dovesti do smrti ili tjelesne ozljede. Ako svjetlo pokazivača ne ostaje svijetliti nakon testiranja i resetiranja, nemojte koristiti PRCD.

4. Pritisnite gumb TEST (8,A). Svjetlo pokazivača (8,B) trebalo bi biti isključeno.
5. Pritisnite gumb RESET (8,C). Svjetlo pokazivača (8,B) trebalo bi biti uključeno.
6. Prebacite glavni prekidač ON/OFF u položaj ON (I).
7. Usmjerite pištolj u sigurnom smjeru, pritisnite gumb za zaključavanje i pritisnite okidač.

Motor će se pokrenuti i zaustaviti kad god se okidač na pištolju pritisne i otpusti.

## Mlaznica 7-u-1 Slika 11

Mlaznica 7-u-1 omogućuje izmjenjivanje između sedam različitih načina raspršivanja. Otpustite okidač na pištolju kako biste uključili sigurnosnu bravu prije promjene prskalice.

1. Odaberite način raspršivanja:
  - Odaberite Maximum postavku mlaznice za domet prskanja od 0° (A) za čišćenje tvrdokornih ili teško dohvatljivih površina poput površina na gornjem katu, uklanjanja boja, mrlje od ulja, hrđe ili drugih tvrdokornih tvari (katran, smola, masti, vosak i dr.).
  - Odaberite General postavku mlaznice za domet prskanja od 15° (B) za zahtjevnija čišćenja. Savršena za uklanjanje masnoća i nečistoća s tvrdih površina. Također uklanja boju pod kutom od 45°.
  - Odaberite Gentle postavku mlaznice za domet prskanja od 40° (B) za nježno pranje automobila/kamiona, plovila, prikolica, vrtnog namještaja, opreme za travnjak, itd.
  - Odaberite Fan Spray postavku mlaznice (D) za optimalno ispiranje manjih nečistoća i ostataka s visokim protokom.
  - Odaberite postavku mlaznice s primjenom sapunice (F) za osjetljivo pranje automobila, kamiona, dječje opreme za igranje, vrtnog namještaja, itd.
  - Odaberite Extended Reach postavku mlaznice (G) za brzo čišćenje i čišćenje sporednih kolosijeka i prozora s visokim protokom.
  - Odaberite Extended Reach postavku mlaznice s primjenom sapunice (H) za uklanjanje sapunice sa sporednih kolosijeka i prozora.
2. Okrenite izbornik dok se željeni način raspršivanja ne poklopi sa strelicom na mlaznici 7-u-1.

### Savjeti za uporabu

- U svrhu najdjelotvornijeg čišćenja, držite vršak prskalice na udaljenosti od 20 do 61 cm (8 do 24 inča) od površine koju čistite.
- Ako vršak prskalice bude preblizu, posebno vršak prskalice pod visokim tlakom, možete oštetiti površinu koju čistite.
- NEMOJTE se približiti više od 15 cm (6 inča) kod čišćenja guma.

### Nanošenje deterdženta Slika 3



**UPOZORENJE!** Kemijski agensi mogu prouzročiti opekline uz smrt ili ozbiljne ozljede. NEMOJTE rabiti kaustičnu tečnost s perilicom pod tlakom. Rabite SAMO deterdžente/sapune sigurne za perilicu pod tlakom. Slijedite upute proizvođača.

#### Pratite sljedeće korake za uporabu deterdženta:

1. Skinite poklopac sa spremnika deterdženta (D) i napunite ga s otopinom deterdženta. Zamjena užeta.
2. Provjerite da je jedan od nastavka za nanošenje sapunice odabran na mlaznici 7 u 1.

**NAPOMENA** Deterdžent se ne smije nanositi s visokotlačnim mlaznicama (maksimalna, općenita, fan spray, ili produženi doseg).

3. Nanesite deterdžent na suhu površinu, počevši od donjeg dijela područja koje se pere i perite prema gore dugim i ravnomjernim pokretima.
4. Pustite da se površina "namoči" u deterdžentu prema uputama proizvođača deterdženta.

## Ispiranje perilice pod tlakom

1. Odaberite željenu visokotlačnu mlaznicu.



**UPOZORENJE!** Povratni udar od pištolja prskalice može dovesti do vašeg pada, te i do smrti i ozbiljne ozljede. Radite s perilicom pod tlakom sa stabilne površine. Budite vrlo oprezni ako morate koristiti perač na ljestvama, skeli, ili bilo koje drugom sličnom mjestu. Čvrsto stegnite pištolj prskalice objema rukama kad rabite prskanje pod visokim tlakom kako biste izbjegli ozljede kod povratnog udara pištolja prskalice.

2. Primjenjujte prskalicu za visoki tlak na malu zonu i provjeravajte da na površini nema oštećenja. Ako ne pronađete nikakva oštećenja, nastavite s ispiranjem.
3. Počnite ispirati na vrhu prostora prema dolje s istim potezima kao kod čišćenja.

### Zaustavljanje tlačnog perača Slika 3

1. Otpustite okidač pištolja.
2. Prebacite glavni prekidač ON/OFF (E) u položaj OFF (0).

**NAPOMENA** Otpuštanje okidača isključuje motor ali ne isključuje električno napajanje uređaja.

3. Zatvorite dovod vode.
4. UVIJEK usmjerite pištolj u sigurnom smjeru, pritisnite gumb za zaključavanje i pritisnite okidač kako biste smanjili nakupljeni tlak u uređaju.



**UPOZORENJE!** Vodena struja pod visokim tlakom koju ovaj uređaj proizvodi može probiti kroz kožu i potkožna tkiva, što može dovesti do ozbiljne ozljede i moguće amputacije. Držite crijevo za visoki tlak povezano na pumpu i pištolj prskalice dok je sustav pod tlakom. NEMOJTE dozvoljavati DJECI da se igraju ili rukuju perilicom pod tlakom. UVIJEK usmjerite pištolj u sigurnom smjeru, pritisnite okidač pištolja za oslobađanje visokog pritiska, svaki put kada se isključi perač.

5. Odspojite PRCD utikač (G) s utičnice i namotajte kabel za napajanje na donju kuku ladice pribora.
6. Namotajte visokotlačno crijevo na gornju kuku ladice pribora.

Spremite crvenu visokotlačnu mlaznicu na kraj nastavka mlaznice. Spremite pištolj, mlaznicu nastavka i mlaznicu 7 u 1 na ladicu pribora.

### Nakon svake uporabe

Voda ne bi trebala ostajati u jedinici na dulji vremenski period. Može doći do naslaga sedimenata i minerala na dijelovima pumpe, što može zaustaviti njezino djelovanje. Nakon svake uporabe slijedite ove procedure:

1. Pokrenite tlačni perač s nastavkom mlaznice za sapunicu dok se spremnik ne isprazni.
2. Dodajte 0,5 litara vode u spremnik deterdženta i upalite perač s nastavkom mlaznice za nanošenje sapunice. Ispirajte jednu do dvije minute.
3. Prebacite glavni prekidač ON/OFF u položaj OFF (0). Uklonite utikač kabela za napajanje s električne utičnice.
4. Zatvorite dovod vode. Usmjerite pištolj u sigurnom smjeru, pritisnite gumb za zaključavanje i pritisnite okidač kako biste uklonili tlak.
5. Odspojite vrtno crijevo s ulaza vode. Odspojite visokotlačno crijevo s pištolja i visokotlačnog izlaza.

6. Ispustite vodu s crijeva i pištolja, obrišite sve vanjske površine.
7. Ispustite vodu iz crpke naginjanjem uređaja na desno stranu (izlaz vode okrenut prema dolje) na dvije minute. Okrenite uređaj i ostavite ga da leži na izlazu visokog tlaka dodatne dvije minute.
8. Namotajte visokotlačno crijevo na gornju kuku ladice pribora.
9. Namotajte kabel za napajanje na donju kuku na ladicu pribora. Spremite pištolj, mlaznicu nastavka i mlaznicu 7 u 1 na ladicu pribora.
10. Skladištite uređaj na čistom i suhom mjestu.
11. Ako skladištite tijekom više od 30 dana, pogledajte Skladištenje.

## Održavanje

### Opće preporuke

Redovitim održavanjem poboljšat ćete rad i produžiti životni vijek perilice pod tlakom. Potražite ovlaštenog predstavnika Briggs & Stratton radi servisa. **NEMOJTE** dozvoljavati djeci da vrše čišćenje ili održavanje bez nadzora.

Jamstvo perilice pod tlakom ne obuhvaća stavke koje su podložne zloupotrebi ili nemaru rukovatelja. Korisnik mora održavati perlač kako je opisano u ovom priručniku, uključujući ispravno skladištenje kao što je detaljno opisano u *Skladištenje*.



**UPOZORENJE!** Kako biste osigurali sigurnost stroja, koristite samo originalne rezervne dijelove od proizvođača ili koje je odobrio proizvođač. Ako budete imali nekih pitanja o zamjeni komponenti ili o svojoj perilici pod tlakom, posjetite naš website na adresi [BRIGGSandSTRATTON.COM](http://BRIGGSandSTRATTON.COM). Ako je kabel oštećen, obratite se ovlaštenom prodajno-servisnom centru Briggs & Stratton.

### Održavanje mlaznice

Očistite vršak prskalice kako biste korigirali prekomjerni tlak na pumpi uzrokovan zapušanim vrškom prskalice:

1. Prebacite glavni prekidač ON/OFF u položaj OFF (0). Uklonite utikač kabela za napajanje s električne utičnice.
2. Skinite mlaznicu 7-u-1 s produžetka štrcaljke.
3. Malom spajalicom za papir izbacite svaki strani materijal koji zapuša ili blokira vršak prskalice.
4. Ponovno instalirajte mlaznicu 7-u-1 na produžetak mlaznice.

### Održavanje o-prstena Slika 10

Upotrebom podmazivača (benzina ili sintetičkog maziva) doprinosi se usađivanju o-prstena i boljoj zabrtvljenosti. Nanosite mazivo na o-prstene prije sastavljanja visokotlačnog (A), visokotlačno crijevo (B), kraj pištolja (C), i plastični nastavak (D).

Kupite Komplet za održavanje o-prstena obraćanjem ovlaštenom serviseru i prodavaču Briggs & Stratton. **NIKADA** nemojte popravljati spojeve koji cure s bilo kojim sredstvom za brtvljenje. Zamijenite o-prsten ili spoj.

### Postavete obratno kapaka i bloka za predpažitelji Slika 11



**UPOZORENJE!** Kako biste smanjili rizik od nastanka požara, zamijenite samo osiguračem BS 1362 od 13 A.

Ako je prenosivi zaštitni uređaj diferencijalne struje (PRCD) opremljen osiguračem:

1. Pronađite osigurač na igličastoj strani priključka PRCD-a.
2. Upotrijebite ravni odvijač, skinite poklopac (A) i sklop osigurača. Izvadite osigurač (B) iz utora. Zamijenite ga samo osiguračem BS 1362 od 13 A.
3. Postavite poklopac i sklop osigurača.

### Skladištenje

Slijedite korake 1-10 na *nakon svakog korištenja*.

**NAPOMENA** Voda zaostala u crpki može smrznuti i trajno oštetiti crpku. Jamstvo ne pokriva oštećenja uzrokovana smrzavanjem.

### Zaštita pumpe

Kako biste zaštitili pumpu od oštećenja uzrokovanim naslagama minerala ili smrzavanjem, koristite PumpSaver da biste spriječili štetu od smrzavanja i podmazali klipove i brtve.

**NAPOMENA** Ako jedinicu ne zaštitite od temperatura smrzavanja, to će oštetiti pumpu i jedinica neće moći raditi. Jamstvo ne pokriva oštećenja uzrokovana smrzavanjem.

### Završni savjeti za skladištenje

1. Namotajte visokotlačno crijevo na gornju kuku ladice pribora.
2. Namotajte kabel za napajanje na donju kuku na ladicu pribora.
3. Spremite pištolj, mlaznicu nastavka i mlaznicu 7 u 1 na ladicu pribora.
4. Pokrijte uređaj s zaštitnim pokrivačem koji ne zadržava vlagu i čuvajte ga na čistom suhom mjestu zaštićenom od temperatura smrzavanja.

# Uklanjanje problema

Problem	Uzrok	Popravak
<b>Pumpa ima sljedeće probleme: ne uspijeva proizvesti pritisak, nestalan pritisak, zveket, gubitak tlaka, niski volumen vode.</b>	<ol style="list-style-type: none"> <li>1. Ulaz za vodu blokiran.</li> <li>2. Neadekvatan dovod vode.</li> <li>3. Ulazno crijevo je iskrivljeno ili pušta.</li> <li>4. Začepljen filter ulaza vode.</li> <li>5. Vršak prskalice je zapušten.</li> </ol>	<ol style="list-style-type: none"> <li>1. Pročistite ulaz.</li> <li>2. Obezbijedite odgovarajući priliv vode.</li> <li>3. Ispravite vrtno crijevo ili zamijenite ako curi.</li> <li>4. Očistite ili zamijenite filter ulazne vode</li> <li>5. Očistite vršak prskalice.</li> </ol>
<b>Uređaj se ne pokreće kada se pritisne okidač pištolja.</b>	<ol style="list-style-type: none"> <li>1. Napajanje vode nije uključeno.</li> <li>2. Uređaj se ne uključuje.</li> <li>3. Vrtno crijevo je predugo.</li> <li>4. Izgorio osigurač ili aktiviran prekidač kruga.</li> </ol>	<ol style="list-style-type: none"> <li>1. Ugasite dovod vode.</li> <li>2. Prebacite glavni prekidač ON/OFF u položaj ON (I). Resetirajte PRCD.</li> <li>3. Koristite vrtno crijevo maksimalne duljine od 15,24 m (50 ft.).</li> <li>4. a.) Zamijenite osigurač ili resetirajte prekidač kruga.</li> <li>5. b.) Odspojite druge električne uređaje i isključite svjetla na krugu ili radite na određenom krugu. c.) Upalite na 5 minuta s turbo nastavkom prskalice.</li> </ol>
<b>Deterdžent se ne miješa pri prskanju.</b>	<ol style="list-style-type: none"> <li>1. Postavljen vršak prskalice za visok tlak.</li> <li>2. Previsok tlak ulaza vode.</li> </ol>	<ol style="list-style-type: none"> <li>1. Postavite bijeli vršak prskalice za deterdžent.</li> <li>2. Polako zatvorite ventil ulaza vode dok se ne počine uvlačiti kemikalija.</li> </ol>
<b>Cure spojevi crijeva.</b>	<ol style="list-style-type: none"> <li>1. Vrtno crijevo otpušteno na ulazu vode.</li> <li>2. Otpušteni visokotlačni spojevi crijeva.</li> <li>3. Oštećen o-prsten.¶</li> </ol>	<ol style="list-style-type: none"> <li>1. Rukom zategnite vrtno crijevo.</li> <li>2. Skinite crijevo i ponovno ugradite.</li> <li>3. Zamijenite o-prsten.</li> </ol>

Za sve druge probleme, kontaktirajte Briggs & Stratton ovlaštenog zastupnika

## Specifikacije

Dozvoljeni tlak	MPa/BAR/PSI	16,0/160/2,320*
Maksimalni protok	LPM/GPM	15,0/4,0*
Nazivni tlak i protok	MPa/BAR/PSI @ LPM/GPM	12/120/1,740 @ 5,5/1,45
Temperatura dovoda vode	°C/°F	38/100
Nazivni napon	V	220 - 240
Nazivna frekvencija	Hz	50/60
Snaga	W	2,500
Jakost struje	A	9,0
Razred zaštite	Klasa	Klasa II
Stupanj zaštite	IP xx	IPX5
Vibracije dlan – ruka $a_{hd}$ Nesigurnost K	$m/s^2$ $m/s^2$	$\leq 2,5^*$ 0.2
Razina zvučnog tlaka $L_{pA}$ Nesigurnost $K_{pA}$	dB(A) dB(A)	74* 0.2*
Razina jačine zvuka $L_{WA}$	dB(A)	94*
Zajamčena Razina snage zvuka $L_{WAAd}$	dB(A)	96*

\* U skladu s EN 60335-2-79: 2012.

## EZ Izjava o sukladnosti

### Lavorwash spa

Via J.F.Kennedy, 12 – 46020 Pegognaga (MN) – Italija

Ova izjava o sukladnosti izdaje se pod punom odgovornošću proizvođača. Ovime se potvrđuje da su proizvodi navedeni u ovom dokumentu u skladu s važećim usklađenim propisima Unije te mogu nositi oznaku CE. Ovi modeli zadovoljavaju sljedeće direktive i odgovarajuće norme.

**Proizvod:** Visokotlačni perlač

**Model - Tip:** BPW1800PX

#### EU direktive

2006/42/EC (+2009/127/EC)

2006/95/EC

2004/108/EC

2000/14/EC (+2005/88/EC)

2011/65/EU (+2015/863/EU)

2014/35/EU ≥ 2016-04-20

2014/30/EU ≥ 2016-04-20

#### Standardi

EN 60335-1:2012

EN 60335-2-79:2012

EN 62233:2008

EN 55014-1:2006+A1:2009+A2:2011

EN 55014-2:1997+A1:2001+A2:2008

EN 61000-3-2:2006+A1:2009+A2:2009

EN 61000-3-3:2013

EN 50581:2012

#### Razina jačine zvuka

Izmjereno dB(A): **94**

Zajamčeno dB(A): **96**

2000/14/EC: Uređaj je definiran br. 27 Aneksa I. postupka evaluacije sukladnosti u skladu s Aneksom V.

Tehnički spis spremljen je u tvrtki Lavorwash spa, via J.F.Kennedy, 12 - 46020 Pegognaga (MN) – Italija.

Lavorwash S.p.A

via J.F.Kennedy, 12

46020 Pegognaga

(MN) - Italy Pegognaga, 15. listopada 2015.



Giancarlo Lanfredi

Generalni direktor

**OGRANIČENO JAMSTVO**

Briggs & Stratton jamči da će tijekom jamstvenog razdoblja navedenog u nastavku besplatno popraviti ili zamijeniti svaki dio s nedostatkom u materijalu, izradi ili ovim objema stavkama. Troškove prijevoza proizvoda poslanog na popravak ili zamjenu sukladno ovom jamstvu snosi kupac. Ovo jamstvo vrijedi unutar dolje navedenog vremenskog razdoblja i pod dolje navedenim uvjetima. Za popravak u jamstvenom roku kontaktirajte najbližeg ovlaštenog servisera navedenog u karti za lociranje servisera na stranici [www.briggspowerproducts.com](http://www.briggspowerproducts.com). Kupac se mora obratiti ovlaštenom servisu i zatim dostaviti proizvod ovlaštenom servisu radi pregleda i provjere.

**Druga izričita jamstva ne postoje. Implicirana jamstva, uključujući utrvživost i prikladnost za određenu svrhu, ograničena su na dolje propisan jamstveni rok ili u obimu dopuštenom zakonom. Odgovornost za slučajnu ili posljedičnu štetu je isključena u obimu dopuštenom zakonom.** Neke države ili zemlje ne dopuštaju ograničenja trajanja impliciranih jamstava, a neke savezne države ili zemlje ne dopuštaju isključivanje ili ograničavanje slučajnih ili posljedičnih šteta, stoga se gore navedeno ograničenje i isključenje možda ne odnosi na vas. Ovo jamstvo daje vam specifična zakonska prava, a možete imati i druga prava koja se razlikuju od države do države ili od zemlje do zemlje.\*\*

**JAMSTVENI PERIOD**

Privatna uporaba	Komercijalna uporaba
12 mjeseci	Nema

\*\* U Australiji - Naši proizvodi dolaze s jamstvima koja se ne može isključiti prema australskom Zakonu o potrošačima. Imate pravo na zamjenu ili povrat novca u slučaju velikog kvara te na oštećenju u slučaju bilo kakvog razumno predvidivog gubitka ili oštećenja. Također, imate pravo na popravak proizvoda ili zamjenu proizvoda ako njegova kvaliteta nije na prihvatljivoj razini i ako kvar nije velik. Za popravak u jamstvenom roku, kontaktirajte najbliži ovlašteno servis na našoj karti za lociranje servisera na web stranici BRIGGSandSTRATTON.COM, ili nazovite broj 1300 274 447, ili pošaljite e-poštu ili pismo na [salesenquires@briggsandstratton.com.au](mailto:salesenquires@briggsandstratton.com.au), Briggs & Stratton Australia Pty Ltd, 1 Moorebank Avenue, NSW, Australia, 2170.

Jamstveni rok počinje datumom kupnje prvog maloprodajnog ili komercijalnog korisnika. Izraz „privatno korištenje” odnosi se na korištenje maloprodajnog kupca u vlastitom kućanstvu. „Komercijalno korištenje” odnosi se na sve ostale načine korištenja, uključujući korištenje u komercijalne svrhe, radi ostvarivanja zarade ili iznajmljivanja. Proizvod će se nakon komercijalne uporabe za svrhe ovog jamstva smatrati proizvodom za komercijalnu uporabu.

Kako bi se osigurala promptna i potpuna pokrivenost jamstvom, registrirajte svoj proizvod na gore prikazanoj web stranici ili na [www.onlineproductregistration.com](http://www.onlineproductregistration.com), ili pošaljite poštom ispunjenu registracijsku karticu (ako je isporučena) ili nazovite 1-800-743-4115 (u SAD-u).

Čuvajte vaš račun kao dokaz o kupovini. Ako pri zavyavanu na garancijonno obslužvane ne predostavite dokazatelstvo za prvonačalnata data na zakupuване на продукт, гаранционният срок се определя съгласно датата на производство на продукт. Proizvode tvrtke Briggs & Stratton nije potrebno registrirati za ostvarivanje prava na popravak pokriven jamstvom.

**O VAŠEM JAMSTVU**

Jamstveni servis dostupan je samo putem Ovlaštenih servisnih predstavnika tvrtke Briggs & Stratton. Većina popravaka u jamstvenom roku se obavlja rutinski, ali su ponekad zahtjevi za popravak u jamstvenom roku neosnovani. Ovim jamstvom obuhvaćeni su samo nedostaci u materijalu ili izradi. Ne pokriva štetu uzrokovanu nepravilnom uporabom ili zlorabom, nepravilnim održavanjem ili popravljanjem, uobičajenim habanjem te ustajalim ili neprikladnim gorivom.

**Nepravilna upotreba ili zloupotreba** - Pravilna upotreba ovog proizvoda u predviđene svrhe opisana je u Priručniku za upotrebu. Uporaba ovog proizvoda na način koji nije opisan u korisničkom priručniku ili uporaba proizvoda nakon njegova oštećenja nije pokriveno ovim jamstvom. Osim toga, jamstvo ne vrijedi ni ako je s proizvoda uklonjena serijski broj ili je proizvod na bilo koji način promijenjen ili preinačen ili ako na proizvodu postoje dokazi zlouporabe, kao što su oštećenja nastala zbog udara ili oštećenja uslijed djelovanja korozije nastale zbog vode/kemikalija.

**Nepravilno održavanje ili popravljnje** - Ovaj proizvod mora se održavati u skladu s postupcima i rasporedima navedenima u Priručniku za upotrebu te servisirati ili popravljati korištenjem izvornih dijelova tvrtke Briggs & Stratton ili ekvivalentnima. Jamstvo ne pokriva štetu nastalu nedostatnim održavanjem ili upotrebom dijelova koji nisu izvorni.

**Normalno trošenje i habanje** - Poput većine mehaničkih uređaja i vaš uređaj podložan je trošenju, čak i kada je ispravno održavan. Ovim jamstvom nisu obuhvaćeni popravci kvarova istrošenih dijelova ili opreme nastalih tijekom normalnog korištenja. Održavanje i trošenje takvih dijelova, kao što su filtri, remenje, noževi, kočnice obloge (osim kočnica obloga motora) nisu obuhvaćeni jamstvom zbog samih karakteristika trošenja, osim ako razlog tomu nisu nedostaci u materijalu ili izradi.

**Ustajalo ili neodobreno gorivo** - Kako bi ovaj proizvod radio ispravno, potrebno je svježje gorivo koje ispunjava kriterije navedene u Priručniku za upotrebu. Oštećenja motora ili opreme uzrokovana ustajalim gorivom ili uporabom neodobrenih goriva (poput E15 ili E85 mješavina etanola) nisu pokrivena ovim jamstvom.

**Ostali izuzeci** - Ovo jamstvo izuzima štete nastale zbog nezgode, zloupotrebe, modifikacija, izmjena, nepravilnog servisiranja, smrzavanja ili kemijskog uništenja. Nastavci ili dodatna oprema koji nisu izvorno isporučeni u pakiranju s proizvodom također nisu pokriveni jamstvom. Jamstvom nije pokrivena oprema korištena za glavno napajanje umjesto komunalnog napajanja ili oprema korištena za aplikacije za održavanje života. Ovim jamstvom nije obuhvaćena korištena, prerađena, rabljena ili demonstracijska oprema ili motori. Jamstvom nisu obuhvaćeni kvarovi nastali djelovanjem više sile i nastali u prirodnim katastrofama koje su izvan kontrole proizvođača.

# Tartalomjegyzék

Biztonsági és ellenőrzési jelölések .....	4
Műszaki leírás .....	4
Összeszerelés .....	5
Funkciók és vezérlés .....	4
Üzemeltetés .....	5
Karbantartás .....	7
Tárolás .....	7
Problémamegoldás .....	8
Műszaki adatok .....	8
Garancia .....	10

## Biztonsági és vezérlési jelzések

Biztonsági jelzéssel jelezzük az efféle veszélyeket.

**FIGYELMEZTETÉS** olyan veszélyre utal, melyet, ha nem sikerül elkerülni, súlyos sérülést vagy halált eredményezhet. **MEGJEGYZÉS** olyan gyakorlatra hívja fel a figyelmet, amely nem vezet személyi sérüléshez.



Olvassa el az útmutatót



Aramütés



Folyadék befecskendezés



Biztonsági jelzés



Elesés



Repülő tárgyak



Nem ivóvíz



Tűz



Vegyí égés



Be



Ki



Soha ne irányítsa a szórópisztolyt saját maga, más emberek, vagy állatok felé. Soha ne permetezzen vizet áramforrások, illetve a berendezés közelébe.

A készülék nem alkalmas (beleértve gyermekek) csökkent testi-, érzékszervi-, vagy mentális képességű emberek vagy gyermekek, illetve a megfelelő tapasztalattal és tudással nem rendelkező személyek általi használatra.

### FIGYELMEZTETÉS

- A gépet kizárólag a gyártó által szállított, illetve javasolt tisztítószerrel szabad használni. Más tisztítószerek és vegyszerek használata befolyásolhatja a gép biztonságos használatát.
- A nagynyomású mosóberendezések nem rendeltetésszerű használata veszélyes lehet. A vízsugarat soha ne irányítsa emberek, áram alatt lévő elektronikus berendezések, illetve a gép felé.

- A gépet kizárólag megfelelő védőfelszerelést viselő személyek közelében szabad használni.
- Ne irányítsa a vízsugarat saját maga vagy más személyek felé a ruházat vagy cipők megtisztításához.
- Robbanásveszély - Ne permetezzen gyúlékony folyadékokat a géppel.
- A nagynyomású mosóberendezéseket gyermekek és képzetlen személyek nem használhatják.
- A gép biztonságos használata érdekében használjon nagynyomású alkalmazásokra tervezett tömlőket, csatlakozásokat, és rögzítéseket. Kizárólag a gyártó által javasolt tömlőket, csatlakozásokat, és rögzítéseket használja.
- A gép biztonságos használata érdekében csak a gyártó által szállított, illetve javasolt pótalkatrészeket használja.
- A visszaáramlás-gátlókon keresztül folyó víz nem ivóvíz.
- A gép tisztítása, karbantartása, illetve az alkatrészek cseréje közben a gépet le kell választani az áramforrásról.
- Ne használja a gépet, ha annak tápkábelek vagy egyéb fontos alkatrésze, pl. biztonsági berendezések, nagynyomású tömlők, vagy a szórópisztoly sérültek.
- Az elektromos nagynyomású mosóberendezéshez ne használjon hosszabbító kábelt.
- Mindig kapcsolja le a gép főkapcsolóját, ha őrizetlenül hagyja azt.

## Műszaki leírás



Gondosan olvassa el a felhasználói kézikönyvet és ismerkedjen meg a magasnyomású mosó készülék funkcióival. Ismerje meg a készülék alkalmazását, működésbeli korlátait és a fennálló veszélyeket. Őrizze meg az eredeti felhasználói kézikönyvet, hogy szükség esetén a jövőben is használhassa.

Ez a nagynyomású elektromos mosóberendezés 12,0 MPa (120 BAR illetve 1 740 PSI (font per négyzethüvelyk)) maximális nyomással üzemel legfeljebb 15,00 LPM (liter per perc)(4,0 GPM (gallon per perc)) áramlási sebesség mellett. Mindent megtettünk annak érdekében, hogy a felhasználói kézikönyv aktuális, pontos információkat tartalmazzon. Fenntartjuk a termék, illetve a jelen felhasználói kézikönyv megváltoztatásának és fejlesztésének a jogát bármikor, előzetes értesítés nélkül.

**MEGJEGYZÉS** Amennyiben kérdése lenne a készülék tervezett alkalmazásával kapcsolatban, kérdezze meg a kereskedőt vagy keressen fel egy képesített szerelő központot. SOHA se üzemeltesse a készüléket, ha annak alkatrészei elromlottak vagy hiányoznak, vagy ha nincs rajta a védőház vagy a borítás. NE kerülje meg a készülék biztonsági berendezéseit! NE alakítsa át a magasnyomású mosó készüléket semmilyen módon! A készülék **KIZÁRÓLAG** a Briggs & Stratton által jóváhagyott alkatrészekkel használható.

## POWERflow+ technológia

A Briggs & Stratton által kifejlesztett POWERflow+ technológia az egyes alkatrészek hatékony együttműködésével kiemelkedően hatásos tisztítást biztosít. A POWERflow+ rendszer erejét a két különböző működési móddal felszerelt szivattyú adja: magas nyomás és magas áramlási sebesség, amely javítja a tisztító hatást, nagyobb hatótávolságot, tisztítószerezloszlást, és gyorsabb öblítést biztosít.

## Hordozható maradékáram védőberendezés

A nagy nyomású mosó hordozható maradékáram védőeszközzel (PRCD) van felszerelve, mely a tápkábel csatlakozójába van beépítve. Ez az eszköz további védelmet biztosít az elektromos áramütés ellen. A PRCD 10 mA védelmet biztosít.

## Automatikus megszakítás

Egy érzékelő automatikusan leállítja a motort a szórópisztoly kioldásakor és lezárásakor. Ha a motor a szórópisztoly kioldásakor vagy lezárásakor továbbre is működik, NE HASZNÁLJA A GÉPET. Forduljon egy Hivatalos Briggs & Stratton szervizállomáshoz.

**MEGJEGYZÉS** A BE/KI kapcsolót mindig KI (0) állásban kell tartani, amikor a mosóberendezést nem használják.

## Motor túlterhelés

Egy túlterhelésgátló berendezés automatikusan leállítja a motort, ha az túlmelegszik, vagy túl nagy mennyiségű áramot vesz fel. Ha a védőberendezés aktiválódik, válassza le a berendezést az áramforrásról a BE/KI kapcsoló KI (0) állásba állításával. Hagyja hűlni a berendezést 30 percig, majd állítsa a BE/KI kapcsolót BE (I) állásba.

## EU megsemmisítési előírások



Ez a szimbólum azt jelzi, hogy az akkumulátor és elektronikus alkatrészek nem helyezhetők el a háztartási hulladékban. Ezt a terméket kizárólag környezeti szempontból megfelelő tárolóhelyen szabad elhelyezni. A hulladék elhelyezésével kapcsolatos további információért kérjük, lépjen kapcsolatba a Briggs & Stratton vállalattal, illetve a helyi viszonteladóval.

## Összeszerelés

### Csatlakoztassa a tartócsöveket és a tolókart ábra 1 2

1. Csúsztassa a tartókat (1,A) a nyílásokba. Illessze össze a lyukakat, és csavarja be a csavarokat (1,B). A meghúzás alatt ügyeljen rá, hogy az alkatrész ne mozduljon el.
2. Helyezze a tolókart (2,A) a tartókra, és igazítsa egymáshoz a lyukakat.
3. A kapuheveder csavarokat (2,B) helyezze a készülék hátulja felől a lyukakba majd a műanyag forgógombbal erősítse fel (2,C), és szorítsa meg.

### Funkciók és vezérlés ábra 3

A	Szórópisztoly	G	PRCD-vel felszerelt elektromos kábel
B	7 funkció szórófej	H	Azonosító címke
C	Tartozék tálca	J	Víz bemenet
D	Mosószer tartály	K	Magasnyomású kimenet
E	Fő BE/KI kapcsoló	L	Szórófej hosszabbító
F	Magasnyomású tömlő		

## Üzemeltetés

### A tömlő és a vízforrás csatlakoztatása a szivattyúhoz ábra 3 4 6

**MEGJEGYZÉS** KIZÁRÓLAG hideg vizet használjon (38°C (100°F) alatt).

1. Csavarozza a nagynyomású tömlőt (3,F) a szórópisztolyba (3,A).
2. Csatlakoztassa a kék nagynyomású tömlőt (3,F) a kimenethez, (3,K) és húzza meg.
3. Ellenőrizze, hogy a bemeneti vízszűrő és a fekete gumi alátét telepítve vannak a víz bemenet csatlakozásán (4,A).
4. Csatlakoztassa a csatlakozást a (4,B) bemenethez és húzza meg.

**MEGJEGYZÉS** A legjobb teljesítmény KIZÁRÓLAG 5 GPM-nél (18,9 l) és 25-75 psi-nél (1,72-5,17 bar) nagyobb kapacitású vízforrást alkalmazzon.

5. A szennyeződések eltávolításához folyassa át a vizet a kerti tömlőn.

**MEGJEGYZÉS** A szivattyú bemenetnél a visszafolyásgátló használata kárt tehet a szivattyúban. A magasnyomású mosó bemenete és a visszafolyás gátló között legalább 3 m (10 láb) szabadonlévő kerti tömlőnek KELL lennie.



**FIGYELMEZTETÉS!** A visszafolyás gátlón átfolyt víz nem iható.

6. Csatlakoztassa a kerti tömlőt (4,C) (ne lépje túl a 15 m (50 láb) hosszt) a vízbemenethez (4,B) és szorítsa.
7. Kapcsolja BE a vízellátást, fordítsa a szórópisztolyt biztonságos irányba, nyomja le a ravasz zárógombját (5,A), majd a rendszer légtelenítéséhez nyomja meg a ravaszt.
8. Csatlakoztassa a szórófej-hosszabbítót (3,L) a szórópisztolyhoz (3,A). Húzza meg kézzel.
9. Húzza vissza a hosszabbító gyűrűjét (7,A), helyezze be a 7 funkció szórófejet (7,B) majd engedje vissza a gyűrűt. Rántsa meg a szórófejet, hogy ellenőrizze, hogy biztonságosan a helyén marad. Lásd 7 funkció szórófej.

### A magasnyomású mosó indítása ábra 3 9



**FIGYELMEZTETÉS!** A víz sugár visszafröcskölhet vagy elmozdíthatja a tárgyakat, ami súlyos sérüléshez vezethet. Mindig viseljen közvetett szellőzőnyílású (vegyi fröcskölés) biztonsági szemvédőt, amely jelzése megfelel az ANSI Z87.1-nek a készülék közelében és használatakor.

1. Állítsa a fő BE/KI kapcsolót (3,E) KI (0) állásba.



**FIGYELMEZTETÉS!** Áramütésveszély. Az áramforrással való érintkezés áramütést vagy égési sérülést okozhat, ami halált vagy súlyos sérülést okozhat. A nagynyomású mosóberendezéshez NE használjon hosszabbítót. Lehetséges, hogy a házi elektromos hálózati aljzat vagy hosszabbító nincs felszerelve életmentő maradékáram-védelemmel.

2. A tápkábelt (3,G) egy erre a célra kijelölt, 220 - 240 voltos, 10 amperes váltóáramú áramkörre kell csatlakoztatni, amely minden helyi előírásnak és követelménynek megfelel. Az áramkör semmilyen más berendezés egyidejű ellátására nem használható.
3. Nyomja meg a RESET gombot (8,C). A jelzőfénynek ekkor (8,B) BEKAPCSOLT állapotban kell lennie.

**MEGJEGYZÉS** A mosóberendezés működtetéséhez a jelzőfénynek FELKAPCSOLT állapotban kell lennie.

4. Nyomja meg a TEST gombot **(8,A)**. A jelzőfénynek ekkor **(8,B)** KIKAPCSOLT állapotban kell lennie.
5. Nyomja meg a RESET gombot **(8,C)**. A jelzőfénynek ekkor **(8,B)** BEKAPCSOLT állapotban kell lennie.



**FIGYELMEZTETÉS!** Áramütésveszély. A PRCD védőberendezés sérüléshez vagy halálhoz vezethet. Ha a jelzőfény nem marad FELKAPCSOLT állapotban a tesztelés és újraindítás után, ne használja a PRCD.

6. Állítsa a fő BE/KI kapcsolót BE (I) állásba.
7. Fordítsa biztonságos irányba a szórópisztolyt, és nyomja meg a ravaszt.

A motor a ravasz lenyomásával és felengedésével beindul, majd leáll.

### 7 funkciós fúvóka ábra 11

A 7 funkciós fúvóka lehetővé teszi hét különböző szórási minta használatát. A szórási minták váltása előtt engedje fel a pisztoly ravaszát, hogy aktiválja a biztonsági reteszt.

1. Válassza ki a kívánt szórási mintát:
  - Válassza a maximális 0° szórást **(A)** a makacs vagy nehezen elérhető, például emeleti felületekhez, festék, olajfoltok, rozsdá, vagy egyéb makacs szennyeződések (kátrány, gumi, zsír, viasz, stb.) eltávolításához.
  - Használja az általános 15° szórást **(B)** a nehezebb tisztítási munkákhoz. Ideálisan alkalmazható például zsír és kosz eltávolítására kemény felületekről. A pisztolyt 45°-os szögben tartva festék lemosására is alkalmas.
  - Válassza a gyengéd 40° szórást **(C)** autók/teherautók, csónakok, kerti bútorok, kerti szerszámok, stb. tisztításához.
  - Válassza a nagy szögű szórást **(D)** a könnyebb szennyeződések és törmelék lemosására.
  - Válassza a nagy szögű szappanos szórást **(F)** az autók, teherautók, gyermekjátékok, kerti bútorok, stb. gyengéd tisztításához.
  - Válassza a hosszabbított szórást **(G)** az emeleti falak és ablakok nagy nyomású tisztításához.
  - Válassza ki a hosszabbított szappanos szórást **(H)** az emeleti falak és ablakok tisztítószeres kezeléséhez.
2. Fordítsa a 7 funkciós fúvókán lévő tárcsát a nyíllal jelölt szórási mintához.

### Használati tippek

- A minél hatékonyabb tisztítás érdekében tartsa a szórófejet 20 to 61 cm-re (8 to 24 hüvelykre) a tisztítandó felülettől.
- Ha túl közel tartja a szórófejet, különösen a magas szórófej használatakor, kárt tehet a tisztítandó felületben.
- NE menjen 15 cm-nél (6 hüvelyk) közelebbre gumiabroncs tisztításakor.

### Tisztítószer alkalmazása ábra 3



**FIGYELMEZTETÉS!** A vegyszerek égési sérülést okozhatnak, ami halálhoz vagy súlyos sérüléshez vezethet. NE használjon lúgos folyadékot a magasnyomású mosóval. KIZÁRÓLAG magasnyomású mosóban biztonságosan használható tisztítószert alkalmazzon. Kövesse a gyártó utasításait.

**A tisztítószer alkalmazásához kövesse az alábbi lépéseket:**

1. Távolítsa el a tisztítószer tartályának sapkáját **(D)** és töltsze fel tisztítószeres oldattal. Tegye vissza a kötelet.
2. Ellenőrizze, hogy a fúvókán a szappanos szórási minták egyike van kiválasztva.

**MEGJEGYZÉS** Tisztítószer nem vihető fel a nagynyomású szórófejekkel (maximum, általános, gyengéd, széles szögű vagy hosszabbított).

3. A mosószeres vizet száraz felületre, a tisztítandó felület alsó részétől felfelé haladva, hosszú, egyenes, átfedő mozdulatokkal vigye fel.
4. Mosás és öblítés előtt hagyja, hogy a tisztítószer a gyártó utasításainak megfelelő ideig „áztassa” a felületet

### Magasnyomású mosó öblítés

1. Válassza ki a kívánt nagynyomású szórófejet.



**FIGYELMEZTETÉS!** A szórófej hirtelen és erős visszarúgásától eleshet, ami súlyos vagy halálos sérülést okozhat. A magasnyomású mosót stabil felületről üzemeltesse. Rendkívül óvatosan járjon el, ha létráról, állványról vagy hasonló felületről kell használnia a magasnyomású mosót. Erősen fogja a szórópisztolyt mindkét kezében a magasnyomású mosó használatakor, hogy elkerülje a szórópisztoly visszarúgása által okozott sérüléseket.

2. A magasnyomású szórófejet kis területen használja, majd ellenőrizze, hogy nem tett-e kárt a felületben. Amennyiben nem talált kárt, folytassa az öblítést.
3. Kezdje az öblítést a felület tetejéről indulva, majd lefelé haladva ugyanolyan átfedő mozdulatokkal haladjon, mint a mosáskor.

### A magasnyomású mosó leállítása ábra 3

1. Engedje fel a szórópisztoly ravaszát.
2. Állítsa a fő BE/KI kapcsolót **(E)** KI (0) állásba.

**MEGJEGYZÉS** A ravasz felengedése kikapcsolja a motort, azonban nem szakítja meg a berendezés áramellátását.

3. Zárja el a vizet.
4. A szórópisztolyt MINDIG biztonságos irányban tartva nyomja le a ravasz zárógombját, majd nyomja le a ravaszt a nyomásmentesítéshez.



**FIGYELMEZTETÉS!** A készülék által termelt magasnyomású vízszög elvághatja a bőrt és az alatta lévő szöveteket, amely súlyos sérülést okozhat, ami amputációval is járhat. Amíg a rendszer nyomás alatt van, a magasnyomású tömlőt hagyja a szivattyúhoz és a szórófejhez csatlakoztatva. NE hagyja, hogy GYERMEK üzemeltesse a magasnyomású mosót. A szórópisztolyt MINDIG biztonságos irányba irányítsa, és szorítsa meg a szórópisztoly ravaszát, hogy kiengedje a magas nyomást a motor leállításkor minden alkalommal.

- Húzza ki a PRCD (G) csatlakozót az aljzatból, és tekerje fel a tápkábelt a tartozéktálcá kampójára.
- A nagynyomású tömlőt tekerje össze a tálcán.
- A piros, nagynyomású szórófejet a hosszabbító végén tárolja. A szórópisztolyt, hosszabbítót, és 7 funkció szórófejet a tárolótálcán tartsa.

## Minden használatot követően

Ne maradjon víz a készülékben hosszú ideig. Lerakódhatnak az üledékek és az ásványianyagok a szivattyú alkatrészeiben és leállíthatják a szivattyú működését. Minden használatot követően kövesse az alábbi lépéseket:

- Működtesse a mosóberendezést egy szappanos szórófejjel, amíg a tartály teljesen kiürül.
- Öntsön 0,5 liter vizet a tisztítószer-tartályba, és működtesse a berendezést egy szappanos szórófejjel. Öblítse a berendezést egy vagy két percig.
- Állítsa a fő BE/KI kapcsolót KI (0) állásba. Húzza ki a tápkábel csatlakozóját az aljzatból.
- Zárja el a vizet. Fordítsa biztonságos irányba a szórópisztolyt, és nyomja meg a ravaszt a nyomásmentesítéshez.
- Csatlakoztassa le a kerti tömlőt a vízbementről. Csatlakoztassa le a nagynyomású szórópisztolyt és a nagynyomású kimenetet.
- Engedje ki a vizet a tömlőből és a szórópisztolyból, majd törölje le a külső felületeket.
- Két percre jobb oldalára döntve (a vízbemenettel lefelé) öntse ki a vizet a szivattyúból. Fordítsa fel a berendezést, és további két percig hagyja a nyomáskimeneten állni.
- A nagynyomású tömlőt tekerje össze a tálcán.
- Csavarja a tápkábelt a tálcá alsó kampójára. A szórópisztolyt, hosszabbítót, és 7 funkció szórófejet a tárolótálcán tartsa.
- A készüléket tiszta, száraz helyen tárolja.
- Ha 30 napnál hosszabb ideig tárolja, olvassa el a Tárolás c. fejezetet.

## Karbantartás

### Általános javaslat

A rendszeres karbantartás javítja a teljesítményt és meghosszabbítja a magasnyomású mosó élettartamát. A szervizeléshez keresse fel bármely jóváhagyott Briggs & Stratton szervizet. A szervizműveleteket felhatalmazott Briggs & Stratton szervizközpontokban végeztesse. NE hagyja, hogy gyermek tisztítsa vagy karbantartsa a magasnyomású mosót.

A jótállás értékének a megőrzése érdekében az üzemeltetőnek a felhasználói kézikönyvben szereplő utasítások szerint karban kell tartania a magasnyomású mosót, a helyes tárolást is beleértve. A jótállás érvényességéhez a kezelőnek a jelen kézikönyv utasításai szerint kell használnia a mosóberendezést, beleértve a *Tárolás* fejezetben foglaltakat.

**FIGYELMEZTETÉS!** A berendezés biztonságossága érdekében kizárólag a gyártótól származó vagy a gyártó által jóváhagyott eredeti pótalkatrészeket használja. Ha bármilyen kérdése van a berendezés alkatrészeinek cseréjével kapcsolatban, keresse fel a BRIGGSandSTRATTON.COM. Ha a tápkábel megsérül, lépjen kapcsolatba egy Briggs & Stratton szerviz központtal.



## Szórófej karbantartása

Tisztítsa meg a szórófejet, hogy kijavítsa az eldugult szórófej által okozott túlzott szivattyú nyomást:

- Állítsa a fő BE/KI kapcsolót KI (0) állásba. Húzza ki a tápkábel csatlakozóját az aljzatból.
- Vegye le a 7 funkció szórófejet a szórófej hosszabbító végéről.
- Egy kis iratkapoccsal távolítsa el az idegen anyagot, ami eldugítja vagy beszűkíti a szórófejet. (B).
- Szerelje vissza a 7 funkció fúvókát a szórófej hosszabbítóra.

## O-gyűrű karbantartása **ábra 10**

Kenőanyag (petróleum vagy szintetikus kenőanyag) használata elősegíti az o-gyűrűk megtámasztását és javítja a tömítést. A nagynyomású tömlő összeszerelése előtt vigyen fel kenőanyagot az o-gyűrűkre (A), nagynyomású tömlő (B), szórópisztoly (C), és műanyag pálca (D).

Vásároljon o-gyűrű karbantartó készletet jóváhagyott Briggs & Stratton szervizből. SOSE javítsa a szivárgó csatlakozásokat tömítőszerszettel. Cserélje ki az o-gyűrűt vagy a tömítést.

## PRCD biztosíték csere **ábra 11**



**FIGYELMEZTETÉS!** A tűzveszély elkerülése érdekében kizárólag 13 AMP BS 1362 típusú biztosítékot használjon.

Ha biztosítékkal van ellátva a PRCD-n belül:

- Keresse meg a PRCD csatlakozóban a biztosítékot a tús oldalán.
- Egy laposfejű csavarhúzó használatával távolítsa el a fedelet (A) és a biztosíték szerelvényt. Távolítsa el a biztosítékot (B) a dobozból. Cserélje le a biztosítékot 13 AMP BS 1362 típusú biztosítékkal.
- Helyezze vissza a fedelet és a biztosíték szerelvényt.

## Tárolás

Kövesse az 1-10 lépéseket a *Minden használat után c. fejezetben*.

**MEGJEGYZÉS** A szivattyúban maradó víz megfagyhat, és javíthatatlan kárt tehet a berendezésben. A szavatosság nem terjed ki a fagykára.

## A szivattyú védelme

Védje a szivattyút az ásványianyag lerakódások vagy fagy okozta károktól, használjon szivattyú védőszert a fagykár megelőzésére és használjon kenőanyagot a dugattyúkon és a tömítéseken.

**MEGJEGYZÉS** Ha nem védi a készüléket a fagyos hőmérséklet ellen, az károsítja a szivattyút és a teljes készüléket működésképtelenné teszi. A szavatosság nem terjed ki a fagykára.

## Végső tárolási tippek

- A nagynyomású tömlőt tekerje össze a tálcán.
- Csavarja a tápkábelt a tálcá alsó kampójára.
- A szórópisztolyt, hosszabbítót, és 7 funkció szórófejet a tárolótálcán tartsa
- Takarja le a berendezést egy védőburkolattal, amely nem szívja fel a nedvességet, és tárolja azt tiszta, száraz helyen, fagypon alatti hőmérséklettel védve.

# Problémamegoldás

Probléma	Ok	Javítás
<b>A szivattyúval a következő problémák adódnak: nem hoz létre nyomást, egyenetlenül működik, rázkódik, a nyomás megszűnik, kevés az áramló víz mennyisége.</b>	<ol style="list-style-type: none"> <li>1. Eldugult a víz bement.</li> <li>2. A vízellátás nem megfelelő.</li> <li>3. A bementi tömlőn csomó van vagy szivárog.</li> <li>4. Eltömődött bementi vízszűrő</li> <li>5. A szórófej akadályba ütközik.</li> </ol>	<ol style="list-style-type: none"> <li>1. Tisztítsa meg a bemenetet.</li> <li>2. Biztosítson megfelelő vízáramlatot.</li> <li>3. Egyenesítse ki a kerti tömlőt, vagy cserélje ki, ha szivárog.</li> <li>4. Tisztítsa meg vagy cserélje ki a bementi vízszűrőt.</li> <li>5. Tisztítsa meg a szórófejet.</li> </ol>
<b>A berendezés nem indul be, amikor a ravaszt megnyomják.</b>	<ol style="list-style-type: none"> <li>1. A vízforrás nincs bekapcsolva.</li> <li>2. A berendezés nincs bekapcsolva.</li> <li>3. A kerti tömlő túl hosszú.</li> <li>4. A biztosíték vagy áramköri megszakító aktiválódott.</li> </ol>	<ol style="list-style-type: none"> <li>1. Zárja el a vizet.</li> <li>2. Állítsa a fő BE/KI kapcsolót BE (I) állásba. Indítsa újra a PRCO-t.</li> <li>3. Legfeljebb 15,24 m (50 láb) hosszúságú kerti tömlőt használjon.</li> <li>4. a.) Cserélje ki a biztosítékot, vagy kapcsolja vissza a megszakítót.</li> <li>5. b.) Csatlakoztasson le az áramkörrel minden egyéb elektromos berendezést, kapcsolja le a lámpákat, vagy használjon erre a célra elkülönített áramkört. c.) Működtesse a berendezést 5 percig a turbo szórófejjel.</li> </ol>
<b>A tisztítószer nem keveredik a permetbe</b>	<ol style="list-style-type: none"> <li>1. Magasnyomású fúvókát használ.</li> <li>2. A bementi vízkészlet nyomása túl magas.</li> </ol>	<ol style="list-style-type: none"> <li>1. Helyezze fel a szórófejet.</li> <li>2. Lassan zárja el a vízszelepet, amíg a tisztítószer felszívódik.</li> </ol>
<b>A tömlő csatlakozásai szivárognak.</b>	<ol style="list-style-type: none"> <li>1. A tömlő meglazult a vízbemenetnél.</li> <li>2. A nagynyomású tömlő csatlakozásai lazák.</li> <li>3. Sérült o-gyűrű.¶</li> </ol>	<ol style="list-style-type: none"> <li>1. Húzza meg kézzel a kerti tömlő csatlakozását.</li> <li>2. Távolítsa el, majd szerelje vissza a tömlőt.</li> <li>3. Cserélje le az o-gyűrűt.</li> </ol>

Minden egyéb problémával forduljon jóváhagyott Briggs & Stratton forgalmazóhoz.

## Műszaki leírás

Megengedhető nyomás	MPa/BAR/PSI	16,0/160/2,320*
Maximális áramlási sebesség	LPM/GPM	15.0/4,0*
Névleges nyomás és áramlási sebesség	MPa/BAR/PSI @ LPM/GPM	12/120/1,740 @ 5,5/1,45
Vízkészlet hőmérséklete	°C/°F	38/100
Névleges feszültség	V	230 - 240
Névleges frekvencia	Hz	50/60
Fogyasztás	W	2,500
Áram	A	9,0
Védelmi osztály	Osztály	II. Osztály
Védelmi fokozat	IP xx	IPX5
Kéz - kar rezgés $a_{hd}$ Bizonytalansági tényező K	$m/s^2$ $m/s^2$	$\leq 2,5^*$ $0,2^*$
Hangnyomás szintje $L_{pA}$ Bizonytalansági tényező $K_{pA}$	$dB(A)$ $dB(A)$	$74^*$ $2^*$
Hangerő szintje $L_{WA}$	$dB(A)$	$94^*$
Garantált hangerőszint $L_{WA,d}$	$dB(A)$	$96^*$

\* Az EN 60335-2-79: 2012. szabvány szerint

## EK megfelelési nyilatkozat

### Lavorwash spa

Via J.F.Kennedy, 12 – 46020 Pegognaga (MN) – Olaszország

Jelen megfelelési nyilatkozatot a gyártó kizárólagos felelőssége alapján adja ki. A nyilatkozat igazolja, hogy a jelen dokumentumban felsorolt termékek megfelelnek a hatályos harmonizált Uniós jogszabályoknak, és rendelkeznek CE jelöléssel. Ezek a modellek a következő irányelveknek és kapcsolódó szabványoknak felelnek meg.

**Termék:** Nagynyomású tisztítóberendezés

**Modell - Típus:** BPW1800PX

#### EU irányelvek

2006/42/EC (+2009/127/EC)

2006/95/EC

2004/108/EC

2000/14/EC (+2005/88/EC)

2011/65/EU (+2015/863/EU)

2014/35/EU ≥ 2016-04-20

2014/30/EU ≥ 2016-04-20

#### Szabványok

EN 60335-1:2012

EN 60335-2-79:2012

EN 62233:2008

EN 55014-1:2006+A1:2009+A2:2011

EN 55014-2:1997+A1:2001+A2:2008

EN 61000-3-2:2006+A1:2009+A2:2009

EN 61000-3-3:2013

EN 50581:2012

#### Hangerő szintje

Mért dB(A): **94**

Garantált dB(A): **96**

2000/14/EC: A készülékre az I. függelék 27. megfelelési felmérési eljárása vonatkozik, az V. függelék értelmében.

A műszaki dosszié a Lavorwash spa, via J.F.Kennedy, 12 - 46020 Pegognaga (MN) – Olaszország telephelyen található.

Lavorwash S.p.A  
via J.F.Kennedy, 12  
46020 Pegognaga  
(MN) - Olaszország Pegognaga, 2015. október 15.

Giancarlo Lanfredi  
Vezérigazgató

**KORLÁTOZOTT JÓTÁLLÁS**

A Briggs & Stratton garantálja, hogy az alább meghatározott jótállási időszak alatt ingyen kicseréli az anyagában vagy megmunkálásában hibás alkatrészeket. A javításra vagy cseréjére beküldött termékek szállítási költsége a vevőt terheli a jótállás nevében. A jótállás az alábbi időtartamra vonatkozik az alábbi feltételekkel. A jótállási javítást a legközelebbi jóváhagyott forgalmazó szerviz hajítja végre a BRIGGSandSTRATTON.com weboldalon található forgalmazó térkép szerint. A vevőnek kell felvennie a kapcsolatot a jóváhagyott forgalmazó szervizzel, majd elérhetővé kell tennie a terméket a jóváhagyott forgalmazó szerviz számára vizsgálat és tesztelés céljából.

**Nincs egyéb kifejezett jótállás. A vélelmezett garancia, beleértve az eladhatóságra és az egy sajátos célnak való megfelelésre vonatkozó garanciát, a lent részletezett garancia időtartamokra, vagy a törvény által megállapított időtartamra korlátozódik. A véletlen vagy valamiből következő károk a törvény által megengedett határig ki vannak zárva a jótállásból.** Egyes államok és országok nem engedélyezik a magától értetődő jótállás időbeli korlátozását, és egyes államok és országok nem engedélyezik a véletlen vagy következményszerű károk kizárását vagy korlátozását, ezért a fenti korlátozás és kizárás nem feltétlenül vonatkozik Önre. A jelen garancia sajátos törvényes jogokat biztosít Önnek, és elképzelhető, hogy egyéb jogai is vannak, amelyek államonként és országonként változnak.\*\*

**JÓTÁLLÁSI IDŐSZAK**

Fogyasztói használat	Ipari használat
12 hónap	Nincs

\*\* Ausztráliában – Olyan jótállás van a termékeinkre, amelyet nem lehet kizárni az ausztrál fogyasztóvédelmi törvény nevében. Súlyos meghibásodás esetén a termék cseréjére vagy az árának a megtérítésére jogosult, valamint az indokoltan látható veszteségek és károk megtérítésére. Továbbá jogosult a termék megjavítására vagy cseréjére ha a termék nem elfogadható minőségű és a hiba nem számít súlyos meghibásodásnak. Jótállás alatti javítás elvégzéséhez keresse fel a legközelebbi jóváhagyott forgalmazó szervizt a forgalmazó térképünkön a BRIGGSandSTRATTON.COM oldalon vagy a 1300 274 447 telefonszámon, vagy a következő email címre vagy címre írva: salesenquires@briggsandstratton.com.au, Briggs & Stratton Australia Pty Ltd, 1 Moorebank Avenue, NSW, Australia, 2170.

A jótállási időszak a termék első fogyasztói vagy kereskedelmi megvásárlásának dátumán kezdődik. A „fogyasztói használat” a személyes, háztartásbeli használatra vonatkozik lakossági vásárló által. Az „ipari használat” egyéb, kereskedelmi, bevételt eredményező vagy kölcsönzési használatra vonatkozik. Ha a terméket ipari használatban üzemeltetik, azután a továbbiakban ipari felhasználású cikknek kell tekinteni a jelen jótállásra vonatkozólag.

Az azonnali, teljeskörű jótállás véget regisztrálja a terméket a fenti weboldalon vagy a www.onlineproductregistration.com oldalon, vagy küldje el postán a kitöltött regisztrációs lapot (ha mellékeltek), vagy hívja a 1-800-743-4115 telefonszámot (az USA-ban).

Őrizze meg a vásárlás tényét bizonyító nyugtát. Amennyiben nem mutat fel bizonyítékot a vásárlás eredeti dátumáról a jótállási szolgáltatás igénybevételekor, a termék gyártási dátuma alapján határozzuk meg a jótállási időszakot. Nem szükséges a termék regisztrációja a Briggs & Stratton termékek jótállási szolgáltatásának az igénybeviteléhez.

**AZ ÖN JÓTÁLLÁSA**

A jótállási szolgáltatás kizárólag a Briggs & Stratton jóváhagyott forgalmazó szerveiben vehető igénybe. A legtöbb garanciális javítást rutinszerűen kezelik, azonban néha előfordulhat, hogy a garanciális szolgáltatás iránti kérelem nem helyénvaló. A jótállás kizárólag az anyag vagy a megmunkálás hibáira vonatkozik. Nem vonatkozik nem megfelelő vagy kártékony használatra, nem megfelelő karbantartásra vagy javításra, normális elhasználódásra, vagy állott, nem jóváhagyott üzemanyag használatára.

**Nem megfelelő vagy kártékony használat** - A termék megfelelő, célnak megfelelő használata a használati útmutatóban leírtaknak megfelelő használat. A nem a használati útmutatóban leírtaknak megfelelő használatra vagy a termék károsodását követő használatra nem vonatkozik a jelen jótállás. A jótállás nem érvényes, ha eltávolítják a terméken szereplő sorozatszámot vagy ha a terméket bármiféle módon átalakítják, vagy ha a terméken nem megfelelő használat nyomai láthatóak, például ütődéskár, víz vagy vegyszer által okozott korrózió.

**Nem megfelelő karbantartás és javítás** - A terméket a használati útmutatóban szereplő eljárások és ütemtervek szerint kell karbantartani, a szervizelését és javítását eredeti Briggs & Stratton vagy annak megfelelő alkatrészekkel kell végezni. A karbantartás hiánya vagy a nem eredeti alkatrészek felhasználása által okozott kárra nem vonatkozik a jótállás.

**Elhasználódás** - Mint minden más gépi eszköz, ez a készülék is ki van téve a elhasználódásnak, még megfelelő karbantartás mellett is. A jótállás nem vonatkozik a javításra, ha a normális használat során véget ért egy alkatrész vagy a készülék élettartama. Nem vonatkozik a jótállás a karbantartásra vagy az hamar elhasználódó alkatrészekre, mint például a szűrőkre, gépszijakra, vágópengékre, fékkorongokra (a motor fékkorongját kivéve), mivel ezek könnyen elhasználódó alkatrészek, kivéve ha az elhasználódás az anyag vagy a megmunkálás hibájából ered.

**Állott vagy nem jóváhagyott üzemanyag** - A termék helyes működtetéséhez friss, a használati útmutatóban meghatározott feltételeknek megfelelő üzemanyagot kell használni. A motorban vagy a készülékben az állott vagy a nem jóváhagyott üzemanyag (pl. E15 vagy E85 etanol keverék) használata által okozott károokra nem vonatkozik a jótállás.

**Egyéb kizáró feltételek** - A jótállás nem vonatkozik baleseti, helytelen használatból és javításból vagy átalakításból eredő, valamint fagy- és vegyi romlás által okozott károokra. A jótállás nem vonatkozik olyan alkatrészekre vagy kiegészítőkre, amelyeket nem tartalmazott eredetileg a termék csomagolása. Nem vonatkozik a jótállás elsődleges energiaforrásként közüzemi energiaforrás helyett alkalmazott készülékekre vagy életben tartó készülékekben alkalmazott eszközökre. A jótállás nem vonatkozik használt, felújított, másodkézből vásárolt, vagy demonstrációs eszközökre vagy motorokra. A jótállás nem vonatkozik természeti csapásokból vagy egyéb vis maior eseményekből eredő károokra, amelyek a gyártó hatáskörén kívül esnek.

80010169\_HU Rev -

# Indice

Simboli di sicurezza e di controllo	4
Descrizione dell'attrezzatura	4
Montaggio	5
Funzioni e comandi	5
Funzionamento	5
Manutenzione	7
Rimessaggio	7
Ricerca e risoluzione dei problemi	8
Specifiche	8
Garanzia	10

## Simboli di sicurezza e di controllo

Per indicare il tipo di pericolo può essere utilizzato un simbolo di sicurezza. **AVVERTENZA** indica un rischio che, se non è evitato, potrebbe provocare morte o lesioni gravi. **AVVISO** si riferisce a pratiche che non comportano lesioni personali.



Letture manuale



Scossa elettrica



Iniezione di fluidi



Acqua Non Potabile



Caduta



Simbolo di avvertenza di sic  
zza



Oggetti volanti



Incendio



Ustione chimica



On (Accensione)



Off (Spegnimento)



Non puntare mai la pistola verso di sé, verso altri o verso animali. Non spruzzare mai vicino alla fonte di alimentazione o all'unità stessa.

Questa macchina non è destinata all'utilizzo da parte di persone (inclusi bambini) le cui capacità fisiche, sensoriali o mentali siano ridotte, o che siano privi della sufficiente esperienza o conoscenza del sistema, salvo che siano guidati e istruiti sul funzionamento in sicurezza e sulla comprensione dei pericoli connessi.

### AVVERTENZA

- Questo apparecchio è stato progettato per l'utilizzo con il detergente fornito o raccomandato dal produttore. L'uso di altri detergenti o prodotti chimici può pregiudicare la sicurezza dell'apparecchio.

- Getti ad alta pressione possono essere pericolosi se utilizzati impropriamente. Il getto non deve essere diretto verso persone, apparecchiature elettriche in tensione o l'apparecchio stesso.
- Non usare l'apparecchio nelle vicinanze di persone, a meno che non stiano indossando indumenti protettivi.
- Non puntare il getto contro se stessi o altri, al fine di pulire gli indumenti o calzature.
- Rischio di esplosione – Non spruzzare liquidi infiammabili.
- Gli apparecchi per la pulizia ad alta pressione non devono essere usati da bambini o personale non qualificato.
- I tubi per l'alta pressione, raccordi e giunti sono importanti per la sicurezza dell'apparecchio. Utilizzare solo tubi, raccordi e giunti raccomandati dal produttore.
- Per garantire la sicurezza della macchina, utilizzare esclusivamente ricambi originali del produttore o approvate dallo stesso.
- L'acqua che passa attraverso i disconnettori è considerata non potabile.
- Togliere la spina dalla presa per scollegare l'alimentazione durante la pulizia o la manutenzione e la sostituzione di componenti.
- Non utilizzare l'apparecchio se le parti principali o importanti dell'apparecchio sono danneggiati, ad esempio, dispositivi di sicurezza, tubi flessibili ad alta pressione, pistola a grilletto.
- Non utilizzare una prolunga con questa idropulitrice elettrica.
- Spegnere sempre l'interruttore principale quando si lascia l'apparecchio incustodito.

## Descrizione dell'attrezzatura



Leggere con attenzione questo manuale per acquisire dimestichezza con l'idropulitrice. E per conoscerne le applicazioni, le limitazioni e i pericoli che comporta. Conservare l'originale delle presenti istruzioni per eventuali future consultazioni.

Questa idropulitrice elettrica funziona a un massimo di 12.0 MPa (120 BAR o 1.740 PSI (libbre per pollice quadrato)) con un flusso fino a 15,00 LPM (litri al minuto)(4,0 GPM (galloni al minuto)).

È stato compiuto ogni sforzo per garantire che le informazioni contenute in questo manuale fossero precise e aggiornate. Tuttavia, il produttore si riserva il diritto di modificare, alterare o perfezionare in qualsiasi momento il prodotto e la relativa documentazione, senza alcun preavviso.

**AVVISO** In caso di domande relative all'utilizzo che si intende fare del prodotto, rivolgersi al proprio rivenditore o contattare un centro di assistenza nella propria zona. Non azionare MAI l'unità se i componenti sono rotti o mancanti, senza il carter o le coperture di protezione. NON aggirare i dispositivi di sicurezza di questa macchina. NON modificare in alcun modo l'idropulitrice. Questa attrezzatura è progettata per essere usata **SOLO** con componenti autorizzati da Briggs & Stratton.

## Tecnologia POWERflow+

La tecnologia POWERflow+ di Briggs & Stratton è un sistema di componenti che operano in sinergia per erogare la capacità di alta portata. Il punto di forza di POWERflow+ è rappresentato dalla pompa con due modalità separate di pulizia: alta pressione e alto flusso che migliora la pulizia garantendo portata maggiore, insaponatura potente e capacità più veloci di risciacquo.

### Dispositivo portatile di protezione contro la corrente di guasto

Questa idropulitrice è dotata di un dispositivo di protezione contro la corrente di guasto (PRCD) integrato nella spina del cavo di alimentazione. Questo dispositivo garantisce una protezione aggiuntiva dal rischio di scosse elettriche. Il dispositivo PRCD garantisce una protezione di 10 mA.

### Spegnimento automatico

Un sensore spegne il motore quando il grilletto delle pistola si scarica o blocca. Se il motore continua a funzionare mentre il grilletto della pistola è scaricato o bloccato, **NON UTILIZZARE LA MACCHINA**. Contattare un rivenditore autorizzato Briggs & Stratton.

**AVVISO** L'interruttore di accensione/spegnimento (ON/OFF) deve essere sempre in posizione OFF (0) quando l'idropulitrice non è in uso.

### Sovraccarico del motore

Un dispositivo di protezione da sovraccarico spegne automaticamente il motore se si surriscalda o se consuma corrente in eccesso. Se il dispositivo si innesca, scollegare l'alimentazione portando l'interruttore master ON/OFF in posizione OFF (0). Lasciar raffreddare l'unità per 30 minuti e portare l'interruttore ON/OFF in posizione ON (I).

### Smaltimento UE



Questo simbolo indica che il proprietario delle batterie e delle apparecchiature elettriche o elettroniche non deve smaltire questo prodotto con i rifiuti urbani solidi misti. Questo prodotto deve essere smaltito in sedi appropriate per lo smaltimento dei rifiuti in modo ecologico. Contattare Briggs & Stratton o il rivenditore locale per maggiori informazioni sullo smaltimento.

## Montaggio

### Montaggio dell'impugnatura e dei tubi di supporto Figura 1 2

1. Far scorrere i supporti (1,A) nelle aperture. Allineare e montare con le viti (1,B). Mantenere l'allineamento durante il fissaggio.
2. Posizionare l'impugnatura (2,A) sui supporti e allineare i fori.
3. Inserire i bulloni a testa tonda (2,B) sui fori dalla parte interna dell'unità, montare con le manopole in plastica (2,C) e stringere.

### Funzioni e comandi Figura 3

A	Pistola	G	Cavo elettrico con PRCD
B	Erogatore 7-in-1	H	Targhetta di identificazione
C	Piastra per gli accessori	J	Ingresso acqua
D	Serbatoio detergente	K	Uscita alta pressione
E	Interruttore master ON/OFF	L	Prolunga erogatore
F	Tubo dell'alta pressione		

## Funzionamento

### Collegare il tubo e l'alimentazione dell'acqua

Figura 3 4 6

**AVVISO** Usare SOLO acqua fredda (non più di 38°C (100°F)).

1. Avvitare il flessibile ad alta pressione (3,F) alla pistola (3,A).
2. Collegare il tubo per l'alta pressione (3,F) all'uscita (3,K) e stringere.
3. Confermare la schermata di ingresso dell'acqua e una guarnizione di gomma nera viene installata nell'accoppiamento dell'ingresso dell'acqua (4,A).
4. Montare l'accoppiamento dell'ingresso dell'acqua (4,B) all'ingresso e stringere.

**AVVISO** Per le migliori prestazioni, collegare SOLO a una fonte idrica con una capacità di fornitura superiore a 5 GPM (18,9 l) e 25-75 psi (1,72-5,17 bar) nella parte terminale del tubo dell'idropulitrice.

5. Far scorrere l'acqua attraverso il tubo da giardino per rimuovere eventuali detriti.

**AVVISO** Usare dispositivi che impediscono l'inversione di flusso all'ingresso della pompa potrebbe causare danni alla pompa stessa. Lasciare almeno 3 m di tubo da giardino libero tra l'idropulitrice e il dispositivi che impediscono l'inversione di flusso.



**AVVERTENZA!** L'acqua che è fluita attraverso un dispositivo che impedisce l'inversione di flusso è considerata non potabile.

6. Collegare il tubo da giardino (4,C) (non superare i 15 m (50 ft.)) all'ingresso dell'acqua (4,B) e bloccarlo.
7. Aprire l'acqua, puntare la pistola in una direzione sicura, premere il pulsante del blocco di sicurezza (5,A), poi tirare il grilletto per eliminare l'aria dal sistema.
8. Montare la prolunga dell'erogatore (3,L) alla pistola (3,A). Stringere a mano.
9. Tirare l'attacco dell'estensione dell'erogatore (7,A), inserire l'erogatore 7-in-1 (7,B) e rilasciare l'attacco. Spingere l'erogatore per assicurarsi che sia ben saldo. Vedere Erogatore 7-in-1.

### Avviare l'idropulitrice Figura 3 9



**AVVERTENZA!** Il getto nebulizzato potrebbe rimbalzare sulle superfici oppure potrebbe spingere oggetti causando gravi lesioni. Indossare sempre occhiali di sicurezza ventilati (protezione dagli spruzzi chimici) che rispettano lo standard ANSI Z87.1 quando si utilizza o ci si trova nelle vicinanze di questa attrezzatura.

1. Portare l'interruttore master ON/OFF (3,E) in posizione OFF (0).



**AVVERTENZA!** Rischio di elettrocuzione. L'uso di una prolunga potrebbe provocare scosse elettriche o ustioni, che possono provocare la morte o gravi lesioni. **NON** usare una prolunga con questa idropulitrice elettrica. La presa del circuito elettrico domestico o la prolunga potrebbero non essere dotate del dispositivo portatile di protezione contro la corrente di guasto.

2. Collegare il cavo di alimentazione elettrico (3,G) in un circuito elettrico dedicato classificato per 220 - 240 volt CA a 10 Amp, se correttamente installato ai sensi di tutti i codici e tutte le ordinanze locali. Il circuito non deve servire alcun altro dispositivo elettrico.
3. Premere il pulsante RESET (8,C). La spia (8,B) deve essere accesa.

**AVVISO** La spia deve essere accesa perché l'idropulitrice elettrica funzioni.

4. Premere il pulsante TEST (8,A). La spia (8,B) deve essere spenta.
5. Premere il pulsante RESET (8,C). La spia (8,B) deve essere accesa.



**AVVERTENZA!** Rischio di elettrocuzione. Un PRCD non funzionante può provocare morte o lesioni. Se la spia non resta accesa dopo test e reimpostazione, non utilizzare il PRCD.

6. Portare l'interruttore master ON/OFF in posizione ON (I).
7. Puntare la pistola in una direzione sicura, premere il pulsante del blocco di sicurezza, poi tirare il grilletto.

Il motore si avvia e si arresta quando il grilletto della pistola viene premuto e rilasciato.

### Erogatore 7-in-1 Figura 11

L'erogatore 7-in-1 consente di passare tra sette diverse forme di spruzzo. Rilasciare il grilletto della pistola per innescare il blocco di sicurezza prima di cambiare forma di spruzzo.

1. Selezionare la forma di getto nebulizzatore desiderata:
  - Selezionare l'impostazione massima 0° (A) dell'erogatore per superfici difficilmente raggiungibili, ad esempio superfici del secondo piano, eliminazione di vernici, macchie d'olio, rimozione di ruggine o altre sostanze ostinate (catrame, gomma, grasso, cera, ecc.).
  - Selezionare l'impostazione generale 15° dell'erogatore (B) per operazioni di pulizia più difficili. Ideale per eliminare grasso e sporco dalle superfici dure. In grado di staccare la vernice anche se tenuto a un angolo di 45°.
  - Selezionare l'impostazione dell'erogatore delicata 40° (C) per una pulizia delicata di automobili/camion, imbarcazioni, camper, arredi da giardino, attrezzature per la cura del prato, ecc.
  - Selezionare l'impostazione dell'erogatore spruzzo a ventaglio (D) per lavare via in modo ottimale ad alta portata sporco lieve e detriti.
  - Selezionare l'impostazione dell'erogatore spruzzo a ventaglio con sapone (F) per la pulizia su superfici delicate di automobili, camion, attrezzature di gioco per bambini, arredi da giardino, ecc.
  - Selezionare l'impostazione dell'erogatore campo d'azione esteso (G) per la pulizia rapida ad alta portata e la pulizia a lunga gittata dei rivestimenti esterni e delle finestre del secondo piano.
  - Selezionare l'impostazione dell'erogatore campo d'azione esteso con sapone (H) per far arrivare il sapone fino ai rivestimenti esterni e alle finestre del secondo piano.
2. Ruotare la ghiera fino a quando la forma di getto nebulizzatore desiderato si sarà allineata con la freccia presente sull'erogatore 7-in-1.

### Consigli per utilizzo

- Per una pulizia più efficace, tenere l'erogatore da 20 a 61 cm (da 8 a 24 in.) dalle superfici da pulire.
- Se si avvicina troppo l'erogatore, specialmente con quello per l'alta pressione, si potrebbe danneggiare la superficie che si sta pulendo.
- QUANDO SI PULISCONO PNEUMATICI, NON avvicinarsi più di 15 cm (6 in.).

### Applicazione del detergente Figura 3



**AVVERTENZA!** I prodotti chimici potrebbero causare bruciature, con conseguenti gravi lesioni, anche letali. NON usare liquidi caustici con l'idropulitrice. Usare SOLO detergenti/sapone compatibili per le idropultrici. Attenersi alle istruzioni del produttore.

**Per applicare il detergente, attenersi ai seguenti passaggi.**

1. Togliere il tappo dal serbatoio per il detergente (D) e rabboccare con soluzione detergente. Riposizionare il tappo.
2. Assicurarsi di aver selezionato una delle forme di getto con sapone per l'erogatore 7-in-1.

**AVVISO** Il detergente non può essere usato in combinazione con gli erogatori ad alta pressione (impostazione massima, generale, delicata, spruzzo a ventaglio, campo d'azione esteso).

3. Applicare il detergente sulle superfici asciutte, cominciando dalla parte bassa dell'area da lavare e procedendo verso l'alto, con ampi e lunghi movimenti ripetuti.
4. Lasciare agire il detergente in base alle istruzioni del produttore prima di lavare e risciacquare

### Risciacquo idropultrice

1. Selezionare l'erogatore ad alta pressione desiderato.



**AVVERTENZA!** Il contraccolpo della pistola potrebbe far cadere l'utilizzatore, provocando morte o gravi lesioni. Usare l'idropultrice posizionandosi su una superficie stabile. Prestare la massima attenzione nell'eventualità in cui si dovesse usare l'idropultrice da scale, impalcature o altri luoghi rialzati. Per evitare movimenti bruschi e possibili ferimenti, afferrare saldamente la pistola con entrambe le mani quando si usa l'acqua ad alta pressione.

2. Usare l'alta pressione su una superficie ridotta e verificare la presenza di eventuali danni. In assenza di danni, continuare il risciacquo.
3. Iniziare il risciacquo dalla parte alta dell'area lavata con ampi movimenti continui similmente al lavaggio.

### Arresto idropultrice Figura 3

1. Rilasciare il grilletto della pistola.
2. Portare l'interruttore master ON/OFF (E) in posizione OFF (0).

**AVVISO** Rilasciare il grilletto fa spegnere il motore ma non disattiva l'alimentazione elettrica dell'unità.

3. Disattivazione dell'alimentazione idrica.
4. Puntare SEMPRE la pistola in una direzione sicura, premere il pulsante del blocco di sicurezza, poi tirare il grilletto per alleviare la pressione che si è creata nell'unità.



**AVVERTENZA!** Il flusso di acqua ad alta pressione prodotto da questo apparecchio potrebbe causare tagli alla pelle e ai tessuti sottocutanei, provocando gravi lesioni e potenziali amputazioni. Lasciare il tubo ad alta pressione collegato alla pompa e alla pistola fin quando il sistema è pressurizzato. NON permettere ai BAMBINI di giocare con l'idropultrice o di attivarla. Puntare SEMPRE la pistola in una direzione sicura, tirare il grilletto per scaricare l'alta pressione, ogni volta che si spegne l'idropultrice.

5. Scollegare la spina PRCD (**G**) dalla presa e avvolgere il cavo di alimentazione sul gancio inferiore del vassoio degli accessori.
6. Avvolgere il tubo per l'alta pressione sul gancio superiore del vassoio degli accessori.
7. Montare l'erogatore rosso ad alta pressione sull'estremità della prolunga dell'erogatore. Riporre pistola, prolunga erogatore e erogatore 7-in-1 nel vassoio degli accessori.

## Dopo ogni uso

L'acqua non deve rimanere all'interno dell'unità per lunghi periodi di tempo. Sedimenti o minerali possono depositarsi sui componenti della pompa e bloccarla. Dopo ogni utilizzo attenersi alle seguenti procedure:

1. Azionare l'idropulitrice con l'erogatore con sapone finché il serbatoio non è vuoto.
2. Aggiungere 0,5 litri di acqua nel serbatoio del detergente e azionare con l'erogatore con sapone. Lavare da uno a due minuti.
3. Portare l'interruttore master ON/OFF in posizione OFF (0). Rimuovere il cavo di alimentazione dalla presa elettrica.
4. Disattivazione dell'alimentazione idrica. Puntare la pistola in una direzione sicura, premere il pulsante del blocco di sicurezza, poi tirare il grilletto per alleviare la pressione intrappolata.
5. Scollegare il tubo del giardino dall'ingresso dell'acqua. Scollegare il tubo per l'alta pressione dalla pistola e dall'uscita dell'alta pressione.
6. Scaricare l'acqua dal tubo e dalla pistola e pulire tutte le superfici esterne.
7. Scaricare l'acqua dalla pompa inclinando l'unità sul lato destro (ingresso dell'acqua rivolto verso il basso) per due minuti. Capovolgere l'unità e lasciarla poggiata sull'uscita ad alta pressione per altri due minuti.
8. Avvolgere il tubo per l'alta pressione sul gancio superiore del vassoio degli accessori.
9. Avvolgere il cavo di alimentazione sul gancio inferiore del vassoio degli accessori. Riporre pistola, prolunga erogatore ed erogatore 7-in-1 nel vassoio degli accessori.
10. Conservare l'unità in un luogo pulito ed asciutto.
11. Per un rimessaggio superiore a 30 giorni, vedere Rimessaggio.

## Manutenzione

### Consigli di carattere generale

La manutenzione elettrica programmata migliora le prestazioni e prolunga la durata dell'idropulitrice. Per l'assistenza, rivolgersi al Centro di assistenza autorizzato Briggs & Stratton. **NON** permettere ai bambini di pulire la macchina o effettuare la manutenzione senza supervisione. La garanzia di questa idropulitrice elettrica non copre componenti usati in modo improprio o che siano stati oggetto di negligenza da parte dell'operatore. Per poter usufruire correttamente della garanzia, l'operatore dovrà effettuare la manutenzione attenendosi a questo manuale, rispettando anche le corrette pratiche di rimessaggio descritte nella sezione *Rimessaggio*.



**AVVERTENZA!** Per assicurare la sicurezza della macchina, usare solo parti di ricambio originali o approvate dal produttore. Per chiarimenti relativi alla sostituzione dei componenti dell'idropulitrice, si consiglia di visitare il nostro sito web all'indirizzo BRIGGSandSTRATTON.COM. Se il cavo è danneggiato, consultare un centro di assistenza autorizzato Briggs & Stratton.

## Manutenzione erogatore

Pulire l'erogatore per correggere l'eccesso di pressione causato da intasamenti:

1. Portare l'interruttore master ON/OFF in posizione OFF (0). Rimuovere il cavo di alimentazione dalla presa elettrica.
2. Rimuovere l'erogatore 7-in-1 dalla prolunga dell'erogatore stesso.
3. Utilizzare una piccola graffetta per eliminare materiali estranei che intasano o restringono l'erogatore.
4. Reinscrivere l'ugello 7-in-1 nella relativa prolunga.

## Manutenzione anello a O Figura 10

L'utilizzo di un lubrificante (grasso minerale o sintetico) aiuta a migliorare la tenuta degli anelli a O. Applicare il lubrificante agli anelli a O prima di assemblare il tubo per l'alta pressione (**A**), il tubo per l'alta pressione (**B**), pistola (**C**) e bacchetta in plastica (**D**).

Per acquistare il kit di manutenzione degli anelli a O rivolgersi ai rivenditori Briggs & Stratton autorizzati. Non riparare MAI raccordi con perdite con sigillante di qualsiasi tipo. Sostituire l'anello a O o la guarnizione.

## Sostituzione fusibile PRCD Figura 11



**AVVERTENZA!** Per ridurre il rischio di incendio, sostituire solo con fusibile certificato da 13 amp BS 1362.

Se dotato di fusibile nel PRCD:

1. Individuare il fusibile sul lato del perno della spina PRCD
2. Utilizzando un cacciavite a testa piatta, rimuovere la copertura (**A**) e il blocco del fusibile. Rimuovere il fusibile (**B**) dalla copertura. Sostituire il fusibile con un fusibile certificato da 13 amp BS 1362.
3. Inserire la copertura e il blocco del fusibile.

## Rimessaggio

Seguire i punti 1-10 in *Dopo ogni uso*.

**AVVISO** L'acqua rimasta nella pompa potrebbe congelarsi e danneggiare la pompa in modo permanente. I danni da congelamento non sono coperti dalla garanzia.

## Proteggere la pompa

Per proteggere la pompa da eventuali danni causati da depositi di minerali o dal congelamento, usare PumpSaver per prevenire la formazione di ghiaccio e lubrificare pistoni e guarnizioni.

**AVVISO** La mancata protezione dell'unità dalle temperature di congelamento danneggerà la pompa e renderà l'unità inutilizzabile. I danni da congelamento non sono coperti dalla garanzia.

## Ultimi suggerimenti per il rimessaggio

1. Avvolgere il tubo per l'alta pressione sul gancio superiore del vassoio degli accessori.
2. Avvolgere il cavo di alimentazione sul gancio inferiore del vassoio degli accessori.
3. Riporre la pistola, la prolunga dell'erogatore e l'erogatore 7-in-1 nel vassoio degli accessori.
4. Coprire l'unità con una copertura di protezione che non trattenga l'umidità e riporre in un'area pulita e asciutta protetta da temperatura da congelamento.

# Individuazione e risoluzione dei problemi

Problema	Causa	Correzione
<b>La pompa presenta i seguenti problemi: assenza di pressione, pressione discontinua, vibrazioni, perdita di pressione, ridotto volume d'acqua.</b>	<ol style="list-style-type: none"> <li>1. L'ingresso dell'acqua è bloccato.</li> <li>2. Alimentazione dell'acqua inadeguata.</li> <li>3. Il tubo di ingresso è difettoso o ha una perdita.</li> <li>4. Schermo ingresso dell'acqua intasato.</li> <li>5. L'erogatore è ostruito.</li> </ol>	<ol style="list-style-type: none"> <li>1. Pulire l'ingresso.</li> <li>2. Fornire un flusso d'acqua adeguato.</li> <li>3. Raddrizzare il tubo del giardino o sostituirlo in caso di perdite.</li> <li>4. Pulire o cambiare lo schermo di ingresso dell'acqua.</li> <li>5. Pulire l'erogatore.</li> </ol>
<b>L'unità non si avvia quando il grilletto della pistola viene premuto.</b>	<ol style="list-style-type: none"> <li>1. L'alimentazione idrica non è attivata.</li> <li>2. L'unità non è attivata.</li> <li>3. Il tubo del giardino è troppo lungo.</li> <li>4. Fusibile bruciato o interruttore del circuito bloccato.</li> </ol>	<ol style="list-style-type: none"> <li>1. Aprire l'acqua.</li> <li>2. Portare l'interruttore master ON/OFF in posizione ON (I). Reimpostare il PRCD.</li> <li>3. Usare solo un tubo del giardino di lunghezza massima 15,24 m (50 ft.).</li> <li>4. a.) Sostituire il fusibile o reimpostare l'interruttore di circuito.</li> <li>5. b.) Scollegare altri apparecchi elettrici e spegnere le luci nel circuito o utilizzare un circuito dedicato. c.) Azionare per 5 minuti con erogatore turbo.</li> </ol>
<b>Il detergente non si mescola al getto.</b>	<ol style="list-style-type: none"> <li>1. Viene installato l'erogatore per l'alta pressione.</li> <li>2. Pressione alimentazione acqua in ingresso troppo alta.</li> </ol>	<ol style="list-style-type: none"> <li>1. Installare l'erogatore con l'ugello.</li> <li>2. Chiudere lentamente la valvola dell'alimentazione idrica finché la sostanza chimica comincia a fuoriuscire.</li> </ol>
<b>Perdita ai collegamenti del tubo.</b>	<ol style="list-style-type: none"> <li>1. Tubo del giardino allentato all'ingresso dell'acqua.</li> <li>2. Allentare i collegamenti del tubo per l'alta pressione.</li> <li>3. Anello a O danneggiato.</li> </ol>	<ol style="list-style-type: none"> <li>1. Stringere a mano il tubo del giardino.</li> <li>2. Rimuovere il tubo e reinstallarlo.</li> <li>3. Sostituire l'anello a O.</li> </ol>

Per altre informazioni, consultare un concessionario Briggs & Stratton autorizzato.

## Specifiche

Pressione consentita	MPa/BAR/PSI	16.0/160/2,320*
Flusso massimo	LPM/GPM	15.0/4.0*
Pressione nominale e flusso	MPa/BAR/PSI @ LPM/GPM	12/120/1,740 @ 5.5/1.45
Temperatura alimentazione idrica	°C/°F	38/100
Tensione nominale	V	220 - 240
Frequenza nominale	Hz	50/60
Consumo elettrico	W	2,500
Corrente	A	9.0
Classe di protezione	Classe	Classe II
Grado di protezione	IP xx	IPX5
Vibrazioni al sistema mano-braccio $a_{hd}$ Incertezza K	$m/s^2$ $m/s^2$	$\leq 2.5^*$ $0.2^*$
Livello di pressione sonora $L_{pA}$ Incertezza $K_{pA}$	dB(A) dB(A)	$74^*$ $0.2^*$
Livello di pressione sonora $L_{WA}$	dB(A)	$94^*$
Garantito Livello di Potenza Sonora $L_{WAD}$	dB(A)	$96^*$

\* Per EN 60335-2-79: 2012.

# Dichiarazione di conformità CE

## Lavorwash spa

Via J.F.Kennedy, 12 – 46020 Pegognaga (MN) – Italia

Questa dichiarazione di conformità è emessa sotto l'esclusiva responsabilità del fabbricante. Con la presente si certifica che i prodotti elencati in questo documento sono conformi alla legislazione pertinente dell'Unione relativa all'armonizzazione e possono recare il marchio CE. Questi modelli sono conformi alle seguenti norme e direttive.

**Prodotto:** Idropulitrice ad alta pressione

**Modello - Tipo:** BPW1800PX

### Direttive UE

2006/42/EC (+2009/127/EC)

2006/95/EC

2004/108/EC

2000/14/EC (+2005/88/EC)

2011/65/EU (+2015/863/EU)

2014/35/EU ≥ 2016-04-20

2014/30/EU ≥ 2016-04-20

### Norme

EN 60335-1:2012

EN 60335-2-79:2012

EN 62233:2008

EN 55014-1:2006+A1:2009+A2:2011

EN 55014-2:1997+A1:2001+A2:2008

EN 61000-3-2:2006+A1:2009+A2:2009

EN 61000-3-3:2013

EN 50581:2012

### Livello di pressione sonora

Misurazione dB(A): **94**

Garanzia dB(A): **96**

2000/14/EC: L'apparecchio è definito dal N. 27 dell'Allegato I. Procedura di valutazione di conformità ai sensi dell'Allegato V.

Il file tecnico è conservato presso Lavorwash spa, via J.F.Kennedy, 12 - 46020 Pegognaga (MN) – Italia.

Lavorwash S.p.A  
via J.F.Kennedy, 12  
46020 Pegognaga  
(MN) - Italia Pegognaga, 15 ottobre 2015



Giancarlo Lanfredi  
Direttore generale

**GARANZIA LIMITATA**

Briggs & Stratton garantisce che, durante il periodo di garanzia specificato di seguito, la società provvederà alla riparazione o alla sostituzione gratuita di qualsiasi componente che presenti difetti materiali e/o di lavorazione. Le spese di trasporto del prodotto di cui si richiede la sostituzione o riparazione in garanzia sono a carico dell'acquirente. La presente garanzia è valida per il periodo indicato nel presente documento ed è soggetta alle condizioni indicate di seguito. Per assistenza in garanzia, rivolgersi al Centro di Assistenza Autorizzato più vicino che si può trovare nel sito [www.BriggsandStratton.com](http://www.BriggsandStratton.com). L'acquirente dovrà contattare il Centro di assistenza autorizzato e mettere a disposizione di quest'ultimo il prodotto per l'ispezione e la verifica.

**Non vi è nessun'altra garanzia esplicita. Le garanzie implicite, comprese quelle di commerciabilità e adeguatezza ad uno scopo particolare, sono limitate al periodo di garanzia indicato di seguito o a quanto consentito dalla legge. Le responsabilità per danni incidentali o indiretti sono escluse nella misura consentita dalla legge.** Alcuni stati o Paesi non consentono limiti alla durata della garanzia implicita e alcuni stati o Paesi non ammettono l'esclusione o la limitazione di danni incidentali o consequenziali, quindi la suddetta limitazione ed esclusione potrebbero non essere applicabili al singolo utente. La presente garanzia conferisce specifici diritti legali e il proprietario potrà avere anche altri diritti che variano da stato a stato o da Paese a Paese.\*\*

**PERIODO DI GARANZIA**

Uso privato	Uso commerciale
12 mesi	Nessuna

\*\* In Australia - I nostri prodotti hanno garanzie che non possono essere escluse ai sensi della Australian Consumer Law. L'utente ha diritto alla sostituzione o al rimborso in caso di guasto grave e a un indennizzo per ogni altra perdita o danno ragionevolmente prevedibile. L'utente ha inoltre diritto alla riparazione o alla sostituzione della merce qualora questa non sia di qualità accettabile e il guasto non sia equiparabile a un guasto grave. Per l'assistenza in garanzia, trovate il Centro di assistenza autorizzato più vicino tramite il localizzatore disponibile sul sito [BRIGGSandSTRATTON.COM](http://BRIGGSandSTRATTON.COM), oppure chiamando il numero telefonico 1300 274 447, oppure scrivendo (tramite e-mail o posta ordinaria) a [salesenquires@briggsandstratton.com.au](mailto:salesenquires@briggsandstratton.com.au), Briggs & Stratton Australia Pty Ltd, 1 Moorebank Avenue, NSW, Australia, 2170. Il periodo di garanzia decorre dalla data di acquisto del primo acquirente, sia per l'uso privato che per quello commerciale. "Uso privato" riguarda un uso personale residenziale da parte di un consumatore al dettaglio. Per "uso professionale" si intendono tutti gli altri tipi di utilizzo, tra cui l'uso a scopi commerciali, per la produzione di reddito o per il noleggio. Se il prodotto viene utilizzato per scopi commerciali, ai fini della presente garanzia sarà quindi considerato come soggetto a uso professionale. Per assicurarsi l'applicazione immediata e totale della garanzia, è necessario registrare il proprio prodotto sul sito Web indicato in alto o all'indirizzo [www.onlineproductregistration.com](http://www.onlineproductregistration.com); in alternativa inviare tramite posta la scheda di registrazione compilata (se fornita) o chiamare il numero 1-800-743-4115 (negli USA). Conservare lo scontrino di ricevuta dell'acquisto. Qualora l'acquirente non sia in grado di documentare la data dell'acquisto iniziale al momento della richiesta di assistenza, il periodo di garanzia verrà determinato in base alla data di produzione. Ai fini dell'applicazione della garanzia, non è necessaria la registrazione del prodotto Briggs & Stratton.

**INFORMAZIONI SULLA GARANZIA**

L'assistenza in garanzia è disponibile esclusivamente presso i Centri di assistenza autorizzati Briggs & Stratton. La maggioranza delle riparazioni in garanzia è gestita di routine, ma in certi casi le richieste di assistenza in garanzia potrebbero non essere opportune. Questa garanzia si applica solo in caso di difetti materiali o di lavorazione. Essa non copre danni causati da uso inadatto o da cattivo uso, manutenzione o riparazioni erranee, consumo e usura normali o uso di carburante vecchio o non approvato.

**Uso improprio e abuso** - L'uso corretto previsto per questo prodotto è descritto nel Manuale per l'operatore. L'uso del prodotto in un modo diverso da quanto descritto nel Manuale per l'operatore, o l'uso del prodotto danneggiato, invalida la garanzia. La garanzia non è consentita se il numero di serie del prodotto è stato rimosso o se il prodotto è stato alterato o modificato in qualche modo o se il prodotto presenta prove di abuso quali danni da impatti o danni da corrosione per acqua/sostanze chimiche.

**Manutenzione o riparazioni non corrette** - Questo prodotto deve ricevere la manutenzione prevista secondo le procedure e i programmi contenuti nel Manuale per l'operatore; l'assistenza e le riparazioni devono essere eseguite usando componenti Briggs & Stratton o equivalenti. I danni causati da mancata manutenzione o dall'uso di parti non originali non sono coperti dalla garanzia.

**Normale usura** - Come tutti i dispositivi meccanici, questa unità è soggetta ad usura anche se riceve la manutenzione corretta. La presente garanzia non copre la riparazione nel caso in cui il prodotto o la parte siano giunti al termine della loro durata di uso normale. Gli articoli usati per la manutenzione e soggetti ad usura quali filtri, cinghie, lame di taglio e pastiglie per freni (le pastiglie per i freni del motore sono coperte) non sono coperti da garanzia per le sole caratteristiche di usura, a meno che la causa sia dovuta a difetti di materiali o lavorazione.

**Carburante scaduto o non approvato** - Per un corretto funzionamento, questo prodotto ha bisogno di carburante pulito che sia conforme ai criteri specificati nel Manuale per l'operatore. Eventuali danni al motore o all'apparecchiatura causati dall'uso di carburanti non approvati (ad esempio, miscele di etanolo E15 o E85) non sono coperti dalla garanzia.

**Altre esclusioni** - Questa garanzia non comprende eventuali danni dovuti ad incidenti, uso non appropriato, modifiche, alterazioni, manutenzione non adeguata, congelamento o deterioramento chimico. Sono anche esclusi pezzi aggiuntivi e accessori non inclusi nella confezione originale del prodotto. Non viene fornita alcuna garanzia per le apparecchiature usate come fonti di alimentazione primaria al posto di sistemi di alimentazione di servizio, o per apparecchiature utilizzate per alimentare dispositivi di supporto vitale. La presente garanzia non copre apparecchiature o motori usati, revisionati, di seconda mano o usati per dimostrazioni. Questa garanzia esclude guasti dovuti a calamità naturali e altri eventi di forza maggiore sui quali il produttore non ha alcun controllo.

80011059\_EN Rev -

# Turinys

Saugos ir valdymo ženklai	4
Įrangos aprašymas	4
Surinkimas	5
Funkcijos ir valdikliai	5
Naudojimas	5
Priežiūra	7
Laikymas	7
Trikčių diagnostika	8
Techniniai duomenys	8
Garantija	10

## Saugos ir valdymo ženklai

Saugos ženklas gali būti naudojamas pavojaus tipui nurodyti. **ISPĖJIMAS** rodo pavojų, kurio neišvengus, galima patirti mirtiną ar rimtą sužalojimą. **PASTABA** atkreipia dėmesį į naudojimo būdus, kurie neturi įtakos sužalojimams. Šis mechanizmas neskirtas naudoti asmenims



Perskaitykite vadovą



Elektros smūgis



Gaisras



Pavojus nukristi



Skysčių įpurškimas



Atšokę daiktai



Saugos įspėjamasis ženklas



Cheminis nudegimas



Įjungti



Išjungti



Netinkamas gerti vanduo



Niekada nenukreipkite purkštuvu į save, kitus asmenis ar gyvūnus. Niekada nepurkškite netoli maitinimo šaltinio arba paties įrenginio.

(įskaitant vaikus), turintiems fizinę, jutiminę ar protinę negalią ir neturintiems patirties ir žinių. Mechanizmu jie gali naudotis tik prižiūrėti ir gavę instrukcijų dėl saugaus naudojimo bei žinių apie susijusius pavojus.

### ISPĖJIMAS

- Šis įrenginys skirtas naudoti su gamintojo tiekiamą arba rekomenduojama valymo priemone. Kitų valymo priemonių arba cheminių medžiagų naudojimas gali turėti neigiamos įtakos įrenginio saugai.
- Aukšto slėgio purkštuvai naudojant netinkamai gali būti pavojingi. Purkštuvu negalima nukreipti į žmones, veikiančią elektros įrangą arba patį įrenginį. Nenaudokite įrenginio arti žmonių, nebent jie vilki apsauginius drabužius.

- Nenukreipkite purkštuvu į save arba kitus žmones, kad nuvalytumėte drabužius arba batus.
- Sprogimo rizika – nepurkškite degių skysčių.
- Aukšto slėgio valymo įrenginius draudžiama naudoti vaikams arba neišmokytam personalui.
- Aukšto slėgio žarnos, tvirtinimo detalės ir jungtys yra svarbios dėl įrenginio saugos. Naudokite tik gamintojo rekomenduojamas žarnas, tvirtinimo detales ir jungtis.
- Įrenginio saugai užtikrinti naudokite tik gamintojo tiekiamas arba jo patvirtintas originalias atsargines dalis.
- Per atgalinį vožtuvą pratekėjęs vanduo laikomas netinkamu gerti.
- Ištraukite kištuką iš elektros lizdo, kad atjungtumėte maitinimą, valydami arba atlikdami priežiūros darbus ir kai keičiate dalis.
- Nenaudokite įrenginio, jei sugadintas laidas arba svarbios įrenginio dalys, pvz., saugos prietaisai, aukšto slėgio žarnos, suaktyvinimo prietaisai.
- Nenaudokite ilginamojo laido su šiuo elektriniu slėginiu plautuvu.
- Būtinai išjunkite pagrindinį jungiklį, kai paliekate įrenginį be priežiūros.

## Įrangos aprašymas



Įdėmiai perskaitykite šį vadovą ir susipažinkite su aukštaslėgiu plautuvu. Sužinokite jo naudojimo sritis, apribojimus ir galimus pavojus. Išsaugokite šią originalią instrukciją ateičiai.

Šis elektrinis aukštaslėgis plautuvas veikia esant daugiausiai 12,0 MPa slėgiui (120 barų arba 1740 PSI (svarų į kvadratinį colį)) ir iki 15,00 LPM (litrai per minutę) (4,0 GPM (galonai per minutę)) srauto greičiui.

Buvo imtasi visų priemonių, kad informacija šiame vadove būtų tiksli ir naujausia. Vis dėlto pasilikame teisę bet kada be išankstinio įspėjimo keisti ir kitaip tobulinti gaminį bei jo dokumentaciją.

**PASTABA** Jeigu turite klausimų dėl paskirties, klauskite atstovo arba kreipkitės į kvalifikuotą techninės priežiūros centrą. NIEKADA nenaudokite įrenginio, jeigu trūksta dalių arba jos sulūžusios, taip pat jei neuždėti apsauginiai gaubtai. NEAPEIKITE jokių šio mechanizmo saugos įtaisų. NEMODIFIKUOKITE aukštaslėgio plautuvo. Šis įrenginys skirtas naudoti **TIK** su originaliomis „Briggs & Stratton“ dalimis.

### POWERflow+ technologija

Briggs & Stratton“ technologija „POWERflow+“ yra veikiančių kartu sudedamųjų dalių sistema siekiant užtikrinti didelio srauto pajėgumus. Varomoji „POWERflow+“ jėga yra siurblyje, turinčiame du atskirus valymo režimus: aukšto slėgio ir didelio srauto, kurie pagerina valymą užtikrindami geresnį pasiekimą, galingą valymą ir greitesnį plovimą.

### Nešiojamo likutinės srovės prietaiso apsauga

Šis aukštaslėgis plautuvas pateikiamas su nešiojamo likutinės srovės prietaisu (PRCD), integruotu į maitinimo laido kištuką. Šis prietaisas suteikia papildomą apsaugą elektros smūgio atveju. PRCD užtikrina 10 mA apsaugą.

## Automatinis išjungimas

Jutiklis išjungs variklį, kai purkštuvu spragtukas bus atleistas arba užfiksuotas. Jei variklis ir toliau veikia, kai purkštuvu spragtukas atleistas arba užfiksuotas, NENAUDOKITE ĮRENGINIO. Susisieki su įgaliotu „Briggs & Stratton“ serviso atstovu.

**PASTABA** Įjungimo / išjungimo jungiklis visada turėtų būti padėtyje IŠJUNGTA (0), kai aukštaslėgis plautuvas nenaudojamas.

## Variklio perkrova

Apsaugos nuo perkrovos įtaisas išjungia variklį, jei jis perkaista arba sunaudoja daug srovės. Jei įrenginys išsijungia, išjunkite maitinimą nustatę pagrindinį įjungimo / išjungimo jungiklį į padėtį IŠJUNGTA (0). Leiskite įrenginiui vėsti 30 min. ir nustatykite įjungimo / išjungimo jungiklį į padėtį ĮJUNGTA (I).

## ES šalinimo informacija



Šis simbolis žymi, kad baterijų ir elektros arba elektroninės įrangos savininkas šio gaminio negali šalinti kartu su nerūšiuotomis buitinėmis atliekomis. Šį gaminį šalinkite atitinkamose aplinką tausojančiose atliekų šalinimo vietose. Dėl papildomos šalinimo informacijos susisieki su „Briggs & Stratton“ arba vietiniu prekybos atstovu.

## Surinkimas

### Pritvirtinkite atraminius vamzdelius ir rankenas Pav 1 2

- Įstatykite atramas (1,A) į angas. Išlygiuokite ir pritvirtinkite varžtais (1,B). Verždami žiūrėkite, kad būtų tinkamas išlygiavimas.
- Uždėkite rankeną (2,A) ant atramų ir sulygiuokite angas.
- Įkiškite varžtus (2,B) per angas iš įrenginio vidaus, pridėkite plastikines rankenėles (2,C) ir priveržkite.

### Funkcijos ir valdikliai Pav 3

A	Purkštuvus	G	Elektros laidas su PRCD
B	7/1 purkštukas	H	Techninių duomenų lentelė
C	Priedų dėklas	J	Vandens įleidimo anga
D	Ploviklio bakelis	K	Aukšto slėgio išvestis
E	Pagrindinis įjungimo / išjungimo jungiklis	L	Purkštuko ilgiklis
F	Aukšto slėgio žarna		

## Naudojimas

### Prijunkite žarną ir vandens šaltinį Pav 3 4 6

**PASTABA.** Naudokite TIK šaltą vandenį (iki 38 °C (100 °F)).

- Aukšto slėgio žarną (3,F) prisukite prie purkštuvo (3,A).
- Pritvirtinkite mėlyną aukšto slėgio žarną (3,F) prie išvado (3,K) ir priveržkite.
- Patikrinkite, ar tiekiamo vandens tinkelis ir juodas guminis tarpiklis yra vandens įleidimo angos movoje (4,A).
- Pridėkite vandens įleidimo angos movą (4,B) prie įleidimo angos ir priveržkite.

**PASTABA** Norėdami užtikrinti geresnį veikimą, prijunkite TIK prie vandens šaltinio, galinčio tiekti daugiau nei 5 GPM (18,9 l) vandens ir veikti esant 25–75 psi (1,72–5,17 barų) slėgiui, ir prie elektrinio aukštaslėgio plautuvo sodo žarnos galo.

- Paleiskite vandenį per sodo žarną, kad būtų išplauti visi nešvarumai.

**PASTABA.** Prie siurblio įmovos naudojant atgalinį vožtuvą kyla pavojus sugadinti siurblį. Tarp aukštaslėgio plautuvo ir atgalinio vožtuvo turi būti bent 3 m (10 pėdų) neįtemptos sodo žarnos.



**ĮSPĖJIMAS.** Per atgalinį vožtuvą pratekėjęs vanduo laikomas netinkamu gerti.

- Prijunkite sodo žarną (4,C) (ne ilgesnę negu 15 m (50 pėdų)) prie vandens įleidimo angos (4,B) ir priveržkite.
- Įjunkite vandenį, nukreipkite purkštuvą saugia kryptimi, nuspauskite spragtuko fiksavimo mygtuką (5,A), suspauskite spragtuką, kad išleistumėte iš sistemos orą.
- Pritvirtinkite purkštuko ilgiklį (3,L) prie purkštuvo (3,A). Priveržkite ranka.
- Patraukite už purkštuko ilgiklio sandariklio (7,A), įkiškite 7/1 purkštuką (7,B) ir atleiskite sandariklį. Truktelėdami už purkštuko patikrinkite, ar jis tvirtai prijungtas. Žr. 7/1 purkštukas.

### Paleiskite aukštaslėgį plautuvą Pav 3 9



**ĮSPĖJIMAS!** Čiurkšlė gali atšokti ar numušti daiktus ir gali sunkiai sužeisti. Naudodamiesi šiuo įrenginiu arba būdami netoli jo dirbkite užsidėję netiesiogiai ventiliuojamus (nuo cheminių medžiagų pusrslų) apsauginius akinius, atitinkančius ANSI Z87.1.

- Nustatykite pagrindinį įjungimo / išjungimo jungiklį (3,E) į padėtį IŠJUNGTA (0).



**ĮSPĖJIMAS!** Mirties nuo elektros smūgio pavojus. Prisilietus prie maitinimo šaltinio kyla pavojus gauti elektros smūgį arba nudegti ir sunkiai, net mirtinai, susižeisti. NENAUDOKITE ilginamojo laido su šiuo elektriniu aukštaslėgiu plautuvu. Jūsų namų elektros grandinės lizdas arba ilginamasis laidas gali nesuteikti nešiojamojo likutinės srovės įtaiso apsaugos.

- Įjunkite elektros laidą (3,G) į 220 - 240 voltų KS, 10 A elektros grandinę, kuri tinkamai įrengta pagal vietinius kodeksus ir potvarkius. Grandinė neturi būti naudojama kitiems įrenginiams.
- Spauskite mygtuką ATKURTI (8,C). Indikatoriaus lemputė (8,B) turi būti ĮJUNGTA.

**PASTABA** Indikatoriaus lemputė turi būti įjungta, kad elektrinis aukštaslėgis plautuvas veiktų.

- Spauskite mygtuką TIKRINTI (8,A). Indikatoriaus lemputė (8,B) turėtų būti IŠJUNGTA.
- Spauskite mygtuką ATKURTI (8,C). Indikatoriaus lemputė (8,B) turi būti ĮJUNGTA.



**ĮSPĖJIMAS!** Mirties nuo elektros smūgio pavojus. Neveikiantis PRCD gali lemti mirtį arba sužeidimą. Jei indikatoriaus lemputė neišlieka įjungta po patikrinimo ir atkūrimo, nenaudokite PRCD.

- Nustatykite pagrindinį įjungimo / išjungimo jungiklį į padėtį ĮJUNGTA (I).
- Nukreipkite purkštuvą saugia kryptimi, paspauskite spragtuko fiksavimo mygtuką ir nuspauskite spragtuką. Variklis pradės veikti ir sustos, kai purkštuvu spragtukas bus nuspaustas ir atleistas.

## 7/1 purkštukas Pav 11

7/1 purkštukas leidžia jums pasirinkti vieną iš 7 skirtingų purškimo būdų. Atleiskite purkštuko spragtuką, kad užfiksuotumėte saugos užraktą prieš keisdami purškimo būdą.

1. Pasirinkite pageidaujama purškimo būdą:
  - Pasirinkite purkštuką Maksimalus 0° (**A**) norėdami valyti sunkiai valomus arba pasiekiamus paviršius, pavyzdžiui, antrame aukšte esančius paviršius, nušveistų dažų likučius, tepalų dėmes, rūdis arba kitas sunkiai įveikiamas medžiagas (degutą, gumą, riebalus, vašką ir pan.).
  - Pasirinkite purkštuką Įprastas 15° (**B**) norėdami atlikti sunkesnes valymo užduotis. Idealiai tinka šalinant riebalams ir nešvarumams nuo kietų paviršių. Taip pat galima pašalinti dažų sluoksnį, jei srovė nukreipama 45° kampu.
  - Pasirinkite purkštuką Švelnus 40° (**C**) norėdami atlikti švelnesnį automobilių, sunkvežimių, valčių, pramoginių transporto priemonių, vidaus kiemo baldų, vejos įrangos ir pan. valymą.
  - Pasirinkite vėduoklės formos srauto purkštuką (**D**) norėdami optimaliu dideliu srautu nuplauti lengvus nešvarumus ir nuosėdas.
  - Pasirinkite vėduoklės formos srauto purkštuką, su kuriuo galima naudoti ploviklius, (**F**) norėdami plauti trapius automobilių, sunkvežimių, vaikų žaidimo įrangos, vidaus kiemo baldų ir pan. paviršius.
  - Pasirinkite pailgintą purkštuką (**G**) norėdami greita didele srove valyti sunkiai pasiekiamą antro aukšto apdailą ir langus.
  - Pasirinkite pailgintą purkštuką, su kuriuo galima naudoti ploviklius, (**H**) norėdami plovikliu valyti antro aukšto apdailą ir langus.
2. Sukite reguliatorių tol, kol pageidaujamo purškimo būdo linija sutaps su rodykle ant 7/1 purkštuko.

### Naudojimo patarimai

- Kad plovimas būtų efektyviausias, laikykite purkštuką 20–61 cm (8–24 col.) atstumu nuo plaunamo paviršiaus.
- Jeigu per daug priartinsite (ypač aukštaslėgį) purkštuką, galite pažeisti plaunamą paviršių.
- PLAUDAMI padangas išlaikykite bent 15 cm (6 colių) atstumą.

### Valymo priemonės naudojimas Pav 3



**ĮSPĖJIMAS!** Cheminės medžiagos gali nudeginti ir sunkiai arba net mirtinai sužeisti. Aukštaslėgiam plautuvui NETINKA šarminis skystis. Naudokite TIK aukštaslėgiam plautuvui saugius ploviklius / muilus. Vadovaukitės gamintojo instrukcijomis.

### Jei norite naudoti ploviklį, atlikite toliau nurodytus veiksmus:

1. Nuimkite dangtelį nuo ploviklio bakelio (**D**) ir pripildykite ploviklio tirpalo. Virvės keitimas.
2. Įsitikinkite, kad 7/1 purkštuke pasirinkote vieną iš purškimo būdų naudojant ploviklį.

**PASTABA** Ploviklis negali būti naudojamas su aukšto slėgio purkštukais (maksimaliu, įprastu, švelniu, vėduoklės formos srauto ir pailgintu purkštuku).

3. Ploviklį purškite ant sauso paviršiaus; pradėkite nuo apatinės plaunamos srities dalies ir, purkšdami plačiais vienodais persidengiančiais ruožais, kilkite aukštyn.
4. Prieš nuplaudami ir nuskalaudami palaukite, kol ploviklis įsigers, kaip nurodoma gamintojo instrukcijose.

### Skalavimas aukštaslėgiu plautuvu

1. Pasirinkite pageidaujama aukšto slėgio purkštuką.



**ĮSPĖJIMAS!** Dėl purkštuko atmetimo jėgos galite nugriūti ir sunkiai arba net mirtinai susižeisti.

Aukštaslėgiu plautuvu naudokitės nuo stabilaus paviršiaus. Būkite ypač atsargūs naudodami aukštaslėgį plautuvą ant kopėčių, pastolių ir kitų panašių vietų. Naudodami didelį slėgį tvirtai suimkite purkštuvą abiem rankomis, kad išvengtumėte sužalojimo dėl purkštuko atmetimo.

2. Didelio slėgio čurkšlę nukreipkite į mažą plotą ir patikrinkite, ar nepažeidžiamas paviršius. Jei nematyti pažeidimo požymių, plovimą tęskite.
3. Pradėkite nuo plaunamo ploto viršaus ir, purkšdami tokiais pačiais persidengiančiais ruožais, kaip ir plaudami, judėkite žemyn.

### Sustabdykite aukštaslėgį plautuvą Pav 3

1. Atleiskite purkštuko spragtuką.
2. Nustatykite pagrindinį įjungimo / išjungimo jungiklį (**E**) į padėtį IŠJUNGTA (0).

**PASTABA** Atleidus spragtuką, variklis išsijungs, tačiau nebus išjungtas įrenginio maitinimas.

3. Nutraukite vandens tiekimą.
4. VISADA nukreipkite purkštuvą saugia kryptimi, paspauskite spragtuvo fiksavimo mygtuką ir suspauskite spragtuką, kad išleistumėte įrenginyje susikaupusį slėgį.



**ĮSPĖJIMAS!** Šio įrenginio sudaroma aukšto slėgio vandens srovė gali prapjauti odą ir giliau esančius audinius, todėl galimi sunkūs sužeidimai ir amputacija. Kai sistemoje yra aukštas slėgis, palikite aukšto slėgio žarną prijungtą prie siurblio ir purkštuko. NELEISKITE VAIKAMS naudoti aukštaslėgio plautuvo. VISADA išjungę aukštaslėgį plautuvą nukreipkite purkštuvą saugia kryptimi, suspauskite purkštuko spragtuką, kad sumažėtų slėgis.

5. Ištraukite PRCD kištuką (**G**) iš lizdo ir suvyniokite maitinimo laidą ant priedų dėklo apatinio kabliuko.
6. Suvyniokite aukšto slėgio žarną ant priedų dėklo viršutinio kabliuko.
7. Raudoną aukšto slėgio purkštuką laikykite ant purkštuko ilgiklio galo. Laikykite purkštuvą, purkštuko ilgiklį ir 7/1 purkštuką priedų dėkle.

### Kaip elgtis kaskart panaudojus

Ilgesniai laikui negalima įrenginyje palikti vandens. Ant siurblio detalių gali nusėsti nuosėdų ir mineralų, galinčių užblokuoti siurblį. Kiekvieną kartą panaudoję atlikite toliau nurodytus veiksmus.

1. Naudokite aukštaslėgį plautuvą su ploviklio purkštuku tol, kol bakelis ištuštės.
2. Į ploviklio bakelį įpilkite 0,5 litro vandens ir naudokite su ploviklio purkštuku. Plaukite nuo vienos iki dviejų minučių.
3. Nustatykite pagrindinį įjungimo / išjungimo jungiklį į padėtį IŠJUNGTA (0). Ištraukite maitinimo laido kištuką ir elektros lizdo.

- Nutraukite vandens tiekimą. Nukreipkite purkštuvą saugia kryptimi, paspauskite spragtuko fiksavimo mygtuką ir nuspauskite spragtuką, kad pašalintumėte jame esantį slėgį.
- Atjunkite sodo žarną nuo vandens įleidimo angos. Atjunkite aukšto slėgio žarną nuo purkštuvo ir aukšto slėgio išleidimo angos.
- Išleiskite vandenį iš žarnos ir purkštuvo, nuvalykite visus išorinius paviršius.
- Išleiskite vandenį iš siurblio pakreipdami įrenginį į dešinę pusę (vandens įleidimo anga turi būti nukreipta žemyn) dvi minutes. Apverskite įrenginį taip, kad aukšto slėgio išleidimo anga būtų nukreipta žemyn, ir palikite taip dar dvi minutes.
- Suvyniokite aukšto slėgio žarną ant priedų dėklo viršutinio kabliuko.
- Suvyniokite maitinimo laidą ant priedų dėklo apatinio kabliuko. Laikykite purkštuvą, purkštuko ilgiklį ir 7/1 purkštuką priedų dėkle.
- Laikykite įrenginį švarioje ir sausoje vietoje
- Jei ketinate laikyti daugiau negu 30 dienų, žr. Laikymas.

## Priežiūra

### Bendrieji patarimai

Atliekant priežiūros darbus reguliariai padidės našumas ir pailgės aukštaslėgio plautuvo eksploataavimo trukmė. Naudokitės „Briggs & Stratton“ įgalioto techninės priežiūros atstovo paslaugomis. NELEISKITE vaikams valyti ar tvarkyti gaminį be priežiūros.

Šio aukštaslėgio plautuvo garantija netaikoma dalims, kurios buvo sugadintos dėl operatoriaus piktnaudžiavimo arba aplaidumo. Kad pasinaudotų visokeriopa garantijos nauda, operatorius privalo prižiūrėti aukštaslėgį plautuvą, kaip nurodyta šiame vadove, įskaitant tinkamą laikymą, kaip nurodyta skyriuje *Laikymas*.



**ĮSPĖJIMAS!** Įrenginio saugai užtikrinti naudokite tik gamintojo tiekiamas arba jo patvirtintas originalias atsargines dalis. Jeigu kyla klausimų dėl aukštaslėgio plautuvo komponentų keitimo, aplankykite mūsų svetainę BRIGGSandSTRATTON.COM. Jei laidas sugadintas, kreipkitės į „Briggs & Stratton“ įgaliotąjį techninės priežiūros centrą.

### Purkštuko priežiūra

Purkštukus reikia valyti, kai dėl užsikimšimo padidėja siurblio slėgis:

- Nustatykite pagrindinį įjungimo / išjungimo jungiklį į padėtį IŠJUNGTA (0). Ištraukite maitinimo laido kištuką ir elektros lizdo.
- Nuo purkštuko ilgiklio galo nuimkite 7/1 purkštuką.
- Naudokitės maža sąvaržėle, kad pašalintumėte visas purkštuką užkimšusias medžiagas.
- Uždėkite 7/1 purkštuką ant purkštuko ilgiklio.

### Sandarinimo žiedų priežiūra Pav 10

Naudojant tepalą (mineralinį arba sintetinį) sandarinimo žiedeliai pasižymi geresniu sandarumu. Sutepkite o žiedus prieš sumontuodami aukšto slėgio žarną (A), aukšto slėgio žarną (B), purkštuvo gale (C) ir plastikinę lazdelę (D).

Iš „Briggs & Stratton“ įgalioto techninės priežiūros atstovo įsigykite sandarinimo žiedų priežiūros rinkinį. NEREMONTUOKITE pratekančių jungčių jokios rūšies hermetiku. Pakeiskite sandarinimo žiedą arba sandariklį.

### PRCD saugiklio pakeitimo av 11



**ĮSPĖJIMAS!** Kad sumažintumėte gaisro pavojų, pakeiskite tik BS 1362 saugikliu, kurio vardinė srovė 13 A.

Jei PRCD viduje yra saugiklis:

- Suraskite saugiklį PRCD kištuko kontakto pusėje.
- Naudodami atsuktuvą plokščia galvute, nuimkite dangtelį (A) ir saugiklio bloką. Išimkite saugiklį (B) iš dangtelio. Pakeiskite saugiklį BS 1362 saugikliu, kurio vardinė srovė 13 A.
- Įdėkite dangtelį ir saugiklio bloką.

## Laikymas

Atlikite 1–10 veiksmus, nurodytus skyriuje *Po kiekvieno naudojimo*.

**PASTABA** Siurblyje likęs vanduo gali užšalti ir sugadinti siurblių. Gedimui dėl užšalimo garantija negalioja.

### Siurblio apsauga

Siurbliui nuo gedimų dėl mineralų nuosėdų arba užšalimo apsaugoti naudokite „PumpSaver“ ir patepkite stūmoklius bei riebokšlius.

**PASTABA** Neapsaugojus įrenginio nuo užšalimo, suges siurblys ir įrenginys nebeveiks. Gedimui dėl užšalimo garantija negalioja.

### Galutiniai laikymo patarimai

- Suvyniokite aukšto slėgio žarną ant priedų dėklo viršutinio kabliuko.
- Suvyniokite maitinimo laidą ant priedų dėklo apatinio kabliuko.
- Laikykite purkštuvą, purkštuko ilgiklį ir 7/1 purkštuką priedų dėkle.
- Uždenkite įrenginį atitinkama nuo drėgmės apsaugančia danga ir laikykite švarioje, sausoje vietoje, kurioje nebūtų šalta.

# Trikčių diagnostika

Problema	Priežastis	Atitaisymas
<b>Pasireiškia tokios siurblio problemos: nesudaromas slėgis, slėgis nepastovus, trūkčiojimas, nepakankamas slėgis, mažas vandens kiekis.</b>	<ol style="list-style-type: none"> <li>1. Užblokuotas vandens tiekimas.</li> <li>2. Nepakankamas vandens tiekimas.</li> <li>3. Užlenkta arba prateka vandens žarna.</li> <li>4. Užsikimšęs tiekiamo vandens tinklelis.</li> <li>5. Užsikimšęs purkštukas.</li> </ol>	<ol style="list-style-type: none"> <li>1. Pašalinkite kliūtį.</li> <li>2. Pasirūpinkite, kad vandens tiekimas būtų pakankamas.</li> <li>3. Ištiesinkite sodo žarną arba pakeiskite, jei yra nuotėkių.</li> <li>4. Nuvalykite arba pakeiskite tiekiamo vandens tinklelį.</li> <li>5. Išvalykite purkštuką.</li> </ol>
<b>Įrenginys nepasileidžia, kai purkštuvo spragtukas spaudžiamas.</b>	<ol style="list-style-type: none"> <li>1. Neįjungtas vandens šaltinis.</li> <li>2. Neįjungtas įrenginys.</li> <li>3. Sodo žarna per ilga.</li> <li>4. Nudegęs saugiklis arba suveikė grandinės išjungiklis.</li> </ol>	<ol style="list-style-type: none"> <li>1. Nutraukite vandens tiekimą.</li> <li>2. Nustatykite pagrindinį įjungimo / išjungimo jungiklį į padėtį ĮJUNGTA (I). Nustatykite PRCD iš naujo.</li> <li>3. Naudokite tik daugiausiai 15,24 m (50 pėd.) ilgio sodo žarną.</li> <li>4. a.) Pakeiskite saugiklį arba nustatykite grandinės išjungiklį iš naujo.</li> <li>5. b.) Atjunkite kitus elektros prietaisus ir išjunkite grandinės šviesas arba naudokite paskirtąją grandinę. c.) Leiskite veikti 5 minutes su turbo purkštuku.</li> </ol>
<b>Ploviklis nesusimaišo su purškiamu vandeniu.</b>	<ol style="list-style-type: none"> <li>1. Uždėtas aukštaslėgis purkštukas.</li> <li>2. Tiekiamo vandens slėgis yra aukštas.</li> </ol>	<ol style="list-style-type: none"> <li>1. Uždėkite purkštuko galiuką.</li> <li>2. Lėtai uždarykite tiekiamo vandens vožtuvą, kol ims tekėti cheminės medžiagos.</li> </ol>
<b>Vanduo prateka pro žarnos jungtis.</b>	<ol style="list-style-type: none"> <li>1. Sodo žarna laisva prie vandens įleidimo angos.</li> <li>2. Laisvos aukšto slėgio žarnos jungtys.</li> <li>3. Pažeistas o formos žiedas.¶</li> </ol>	<ol style="list-style-type: none"> <li>1. Priveržkite sodo žarną ranka.</li> <li>2. Nuimkite žarną ir uždėkite iš naujo.</li> <li>3. Pakeiskite o formos žiedą.</li> </ol>

Visais kitais atvejais kreipkitės į įgaliotąjį „Briggs & Stratton“ atstovą.

## Techniniai duomenys

Leistinas slėgis	MPa/bar./PSI	16,0/160 /2,320*
Didž. srautas	LPM/GPM	15,0 / 4,0*
Nominalus slėgis ir srautas	MPa / bar. / PSI esant LPM / GPM	12 / 120 / 1740 esant 5,5 / 1,45
Vandens temperatūra	°C / °F	38 / 100
Nominali įtampa	V	230–240
Nominalus dažnis	Hz	50/60
Energijos sąnaudos	W	2,500
Srovė	A	9,0
Apsaugos klasė	Klasė	II klasė
Apsaugos laipsnis	IP xx	IPX5
Plaštakos, rankos vibracija $a_{hd}$ Neapibrėžtis K	$m/s^2$ $m/s^2$	$\leq 2.5^*$ $0.2^*$
Garso slėgio lygis $L_{pA}$ Neapibrėžtis $K_{pA}$	dB(A) dB(A)	$74^*$ $0.2^*$
Garso slėgio lygis $L_{WA}$	dB(A)	$94^*$
Garantuotas garso galios lygis $L_{WA,d}$	dB(A)	$96^*$

\* Pagal EN 60335-2-79: 2012.

## EB atitikties deklaracija

### Lavorwash spa

Via J.F.Kennedy, 12 – 46020 Pegognaga (MN) – Italija

Ši atitikties deklaracija išduota tik gamintojo atsakomybe. Šiuo dokumentu patvirtinama, kad šiame dokumente nurodyti gaminiai atitinka taikytinus derinamuosius Sąjungos teisės aktus ir gali būti žymimi CE ženklų. Šie modeliai atitinka toliau nurodytą direktyvų nuostatas ir susijusius standartus.

**Gaminys:** aukšto slėgio valymo įrenginys

**Modelis – tipas:** BPW1800PX

### ES direktyvos

2006/42/EC (+2009/127/EC)

2006/95/EC

2004/108/EC

2000/14/EC (+2005/88/EC)

2011/65/EU (+2015/863/EU)

2014/35/EU ≥ 2016-04-20

2014/30/EU ≥ 2016-04-20

### Standartai

EN 60335-1:2012

EN 60335-2-79:2012

EN 62233:2008

EN 55014-1:2006+A1:2009+A2:2011

EN 55014-2:1997+A1:2001+A2:2008

EN 61000-3-2:2006+A1:2009+A2:2009

EN 61000-3-3:2013

EN 50581:2012

### Garso galios lygis

Išmatuotų dB(A): **94**

Garantuojamų dB(A): **96**

2000/14/EC: prietaisas yra apibrėžiamas I priedą Nr. 27. Atitikties vertinimo procedūra atitinka V priedą.

Techninis failas yra saugomas adresu: Lavorwash spa, via J.F.Kennedy, 12 - 46020 Pegognaga (MN) – Italija.

Lavorwash S.p.A

via J.F.Kennedy, 12

46020 Pegognaga

(MN) - Pegognaga, Italija, 2015 m. spalio 15 d.



Giancarlo Lanfredi

Generalinis direktorius



**RIBOTOJI GARANTIJA**

Bendrovė „Briggs & Stratton“ garantuoja, kad toliau nurodytu garantiniu laikotarpiu nemokamai sutaisys arba pakeis bet kokią šio gaminio dalį, turinčią medžiagų ir (arba) gamybos defektų. Pagal šią garantiją gabenimo išlaidas, patirtas vežant gaminį taisyti ar pakeisti, privalo padengti pirkėjas. Ši garantija galioja toliau nurodytą laikotarpį toliau nurodytomis sąlygomis. Jei norite pasinaudoti garantinio aptarnavimo paslaugomis, susisieki su artimiausiu įgaliotuoju techninės priežiūros atstovu, kurio adresą rasite tinklalapyje BRIGGSandSTRATTON.com. Pirkėjas privalo kreiptis į įgaliotąjį techninės priežiūros atstovą, tada jam pristatyti gaminį, kad šis jį apžiūrėtų ir patikrintų.

**Nėra jokios kitos specialiosios garantijos. Numanomos garantijos, įskaitant perkamumo ir tinkamumo konkrečiam tikslui garantijas, galioja vienus metus nuo pirkimo datos arba tiek, kiek leidžiama pagal įstatymus. Atsakomybės dėl atsitiktinių ar kaip padarinyš atsirandančių nuostolių atsiskama tokiu mastu, kiek leidžiama pagal įstatymus.** Kai kuriose valstybėse apribojimai dėl numanomos garantijos draudžiami arba draudžiamas pašalinimas ar apribojimas dėl atsitiktinės arba pasekmės žalos, taigi pirmiau minėtas apribojimas arba pašalinimas jums gali būti netaikytinas. Ši garantija suteikia jums ypatingų teisių, tačiau galite turėti ir kitokių teisių, kurios įvairiose valstybėse gali skirtis.\*\*

**GARANTINIS LAIKOTARPIS**

Asmeninis naudojimas	Komerčinis naudojimas
12 mėn.	Nėra

\*\* Australijoje mūsų prekės parduodamos su garantijomis, kurių negalima pašalinti pagal Australijos vartotojų teisių įstatymą. Jūs turite teisę į gaminio pakeitimą arba pinigų grąžinimą didelio gedimo atveju arba atlyginimą už bet kokią pagrįstai iš anksto numatomą žalą arba nuostolius. Taip pat turite teisę reikalauti, kad prekės būtų suremontuotos arba pakeistos tuo atveju, jeigu jos yra nepriimtinos kokybės, o gedimas negali būti kvalifikuojamas kaip didelis gedimas. Jei norite pasinaudoti garantinės techninės priežiūros paslaugomis, kreipkitės į artimiausią įgaliotąjį techninės priežiūros atstovą, jo adresą rasite tinklalapyje BRIGGSandSTRATTON.com atstovų būstinių žemėlapyje, taip pat galite skambinti tel. 1300 274 447, rašyti el. paštu salesenquires@briggsandstratton.com.au arba rašyti ir siųsti laiškus įprastu paštu adresu Briggs & Stratton Australia Pty Ltd, 1 Moorebank Avenue, NSW, Australia, 2170.

Garantinis laikotarpis prasideda dieną, kai įrangą įsigyja pirmasis fizinis arba juridinis asmuo. Terminas „Asmeninis naudojimas“ reiškia naudojimą asmeniniame gyvenamajame ūkyje, kai gaminį naudoja mažmenininkas. Terminas „Komerčinis naudojimas“ reiškia naudojimą, įskaitant komercinius ar nuomos tikslus, siekiant gauti pajamų. Pagal šią garantiją gaminys nuo tos akimirkos, kai panaudojamas komerciniu tikslu, laikomas skirtu naudoti komerciniam tikslui.

Kad užtikrintume skubų visų garantinių paslaugų suteikimą, prašome įsigytą gaminį užregistruoti pirmiau nurodytame puslapyje arba adresu [www.onlineproductregistration.com](http://www.onlineproductregistration.com), taip pat galite paštu išsiųsti užpildytą registracijos kortelę (jei gavote) arba gaminį užregistruoti paskambinę numeriu 1-800-743-4115 (JAV).

Išsaugokite pirkimą patvirtinantį čekį. Jeigu garantinio laikotarpio metu prireikus garantinių paslaugų nepateiksite čekio, įrodančio pirmo pirkimo datą, garantinis laikotarpis bus skaičiuojamas nuo gaminio pagaminimo datos. Kad „Briggs & Stratton“ suteiktų garantines paslaugas, gaminio registracija nebūtina.

**DĖL GARANTIJS**

Garantinį aptarnavimą atlieka tik įgaliotieji „Briggs & Stratton“ techninės priežiūros atstovai. Didžioji garantinių remonto darbų sutvarkoma kaip nustatyta, bet kartais garantinio aptarnavimo paslaugas suteikti atsiskama. Ši garantija galioja tik esant medžiagų arba gamybos defektų. Ji negalioja žalai, kurią sukelti netinkamas naudojimas arba piktnaudžiavimas, netinkama priežiūra arba remontas, įprastas nusidėvėjimas ar senų arba neapbruotų degalų naudojimas.

**Netinkamas naudojimas ir piktnaudžiavimas.** - Tinkamas numatytasis šio gaminio naudojimas nurodytas operatoriaus vadove. Naudojant gaminį ne taip, kaip aprašyta operatoriaus vadove, arba naudojant sugadintą gaminį garantija nebegalioja. Garantija negalioja ir tuo atveju, jei pašalinamas ant gaminio esantis serijos numeris arba gaminys koku nors būdu pakeičiamas ar modifikuojamas, taip pat tada, jei esama piktnaudžiavimo gaminiu įrodymų, pavyzdžiui, pažeidimų nuo smūgių ar vandens (cheminės korozijos) padaryta žala.

**Netinkama priežiūra arba remontas.** - Šį gaminį privaloma prižiūrėti pagal operatoriaus vadove pateiktas procedūras bei planus, jo techninės priežiūros arba taisymo darbus būtina atlikti naudojant originalias „Briggs & Stratton“ dalis. Ši garantija netaikoma esant žalai dėl neatliekamos priežiūros arba neoriginalių dalių naudojimo.

**Įprastas nusidėvėjimas.** - Kaip ir visi mechaniniai prietaisai, šis įrenginys gali nusidėvėti net ir tinkamai jį prižiūrint. Ši garantija netaikoma remonto darbams, kai baigiasi gaminio eksploataavimo laikotarpis arba dėl natūralaus kokios nors jo dalies susidėvėjimo. Garantija netaikoma priežiūros ir nusidėvėjimams eksploataciniams elementams, pavyzdžiui, filtrams, diržams, pjovimo peiliams ir stabdžių kaladėlėms (variklio stabdžių kaladėlėms garantija galioja), vertinant tik nusidėvėjimo charakteristikas, išskyrus atvejus, kai žala padaroma dėl medžiagų ar gamybos defektų.

**Seni ar nepatvirtinti degalai.** - Kad šis gaminys tinkamai veiktų, reikia naudoti švarius degalus, atitinkančius naudojimo instrukcijoje nurodytus kriterijus. Variklį arba įrangą pažeidus dėl pasenusių arba netinkamų degalų (pvz., E15 arba E85 etanolio mišinių) naudojimo, garantija netaikoma.

**Kitos išimtys.** - Ši garantija netaikoma esant žalai dėl nelaimingo atsitikimo, netinkamo naudojimo, modifikacijų, dalinių keitimų, netinkamos priežiūros, užšalimo arba cheminio nusidėvėjimo. Priedams arba aksesuarams, kurie originalioje pakuotėje su gaminiu nepateikiami, ši garantija taip pat netaikoma. Garantija taip pat negalioja įrangai, naudojamai pradinio paleidimo vietoje pagalbinės energijos reikmėms, arba įrangai, naudojamai gyvybės palaikymo darbams. Ši garantija netaikoma naudotai, restauruotai, perduotai kitam savininkui įrangai ar demonstracinei įrangai arba varikliams. Ši garantija taip pat netaikoma esant gedimų, atsiradusių dėl stichinių nelaimių ir kitų nenumatytų aplinkybių, kurių gamintojas negali kontroliuoti.

80010159\_LT Perž. -

## Satura rādītājs

Drošības un vadības funkciju simboli	4
Iekārtas apraksts	4
Montāža	5
Funkcijas un to vadības ierīces	5
Darbība	5
Apkope	7
Uzglabāšana	7
Bojājumu novēršana	8
Specifikācijas	8
Garantija	10

## Drošības un vadības funkciju simboli

Šāda veida risku apzīmēšanai var izmantot drošības simbolus.

**BRĪDINĀJUMS** norāda uz risku, kas gadījumā, ja netiek novērsts, var būt nāves vai nopietnu ievainojumu cēlonis. **PIEZĪME** pievērš uzmanību darbībām, kas nav saistītas ar ievainojumu briesmām.



Lasiet rokasgrāmatu



Elektriskās strāvas trieciens



Šķidrums iespīšanās



Darba drošības brīdinājuma simbols



Lidojoši priekšmeti



Kritiens



Degšana



Ķīmisks apdegums



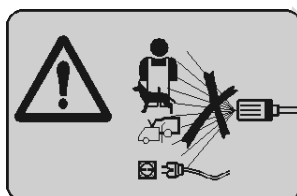
Iesl



Izsl



Dzeršanai nederīgs ūdens



Nekad nevērsiet mazgāšanas pistoli pret sevi, citām personām vai dzīvniekiem. Nekad neizsmidziniet elektrības avota vai pašas ierīces tuvumā.

Šo iekārtu nedrīkst lietot cilvēki (arī bērni) ar fiziskās, sensorās vai garīgās attīstības traucējumiem, kā arī bez vajadzīgajām zināšanām vai pieredzes, izņemot, ja tos uzrauga un sniedz norādījumus par drošu iekārtas darbību, izprotot ar to saistīto bīstamību.

### BRĪDINĀJUMS

- Šo iekārtu ir paredzēts lietot ar ražotāja nodrošināto vai ieteikto tīrīšanas līdzekli. Izmantojot citus tīrīšanas līdzekļus vai tīrīšanai paredzētas ķīmikālijas, var tikt negatīvi ietekmēta iekārtas drošība.
- Nepareizi lietojot, augstspiediena strūklu var būt bīstamas. Strūklu nedrīkst pavērst pret cilvēkiem, ieslēgtām elektroierīcēm vai pašu iekārtu.
- Iekārtu cilvēku tuvumā drīkst lietot tikai tad, ja viņiem ir aizsargtērps.
- Strūklu nedrīkst pavērst pret sevi vai citiem, lai notīrītu apģērbu vai apavus.

- Sprādzienbīstamība — neizsmidziniet uzliesmojošus šķidrumus.
- Augstspiediena tīrītājus nedrīkst lietot bērni un neapmācīti darbinieki.
- Augstspiediena šļūtenes, stiprinājumi un savienojumi ir svarīgi iekārtas drošībai. Izmantojiet tikai ražotāja ieteiktās šļūtenes, stiprinājumus un savienojumus.
- Lai iekārta būtu droši lietojama, izmantojiet tikai oriģinālās rezerves daļas, ko piegādājis vai apstiprinājis iekārtas ražotājs.
- Ūdens, kas izplūdis cauri pretvārstam, uzskatāms par dzeršanai nederīgu.
- Kad veicat tīrīšanu vai apkopi un nomaināt daļas, atvienojiet kontaktdakšu, lai izslēgtu strāvas padevi.
- Nelietojiet iekārtu, ja ir bojāts vads vai svarīgas iekārtas daļas, piemēram, drošības ierīces, augstspiediena šļūtenes, šļūtenes pistole.
- Šim elektriskajam spiediena tīrītājam neizmantojiet pagarinātāju.
- Atstājot iekārtu bez uzraudzības, vienmēr izslēdziet galveno slēdzi.

## Iekārtas apraksts



Rūpīgi izlasiet rokasgrāmatu un iepazīstieties ar augstspiediena mazgātāju. Jums jāzina tā pielietojumi un ierobežojumi, kā arī ar mazgātāja izmantošanu saistītie riski. Ilsaugokite šī oriģināli instrukciju ateičiai.

Elektriskais augstspiediena mazgātājs darbojas ar 12,0 MPa (120 BARI vai 1 740 PSI (mārciņas uz kvadrātcollu)) maksimālo spiedienu, un tā caurplūde sasniedz 15,00 LPM (litri minūtē) (4,0 GMP (galoni minūtē)).

Rokasgrāmatā ir iekļauta pēc iespējas precīzāka jaunākā informācija. Tomēr mēs paturam tiesības jebkurā brīdī un bez iepriekšēja brīdinājuma mainīt un uzlabot gan izstrādājumu, gan tā rokasgrāmatas saturu.

**PIEZĪME** Ja vēlaties vairāk uzzināt par izstrādājuma paredzēto lietojumu, jautājiet izplatītājam vai vērsieties servisa centrā. NEKAD nelietojiet iekārtu, ja tā ir bojāta vai tai nav visu vajadzīgo detaļu, trūkst korpusa daļu vai aizsargvāku. NEDRĪKST darbināt iekārtu, kurai trūkst jebkura no paredzētajam drošības ierīcēm. AIZLIEGTS jebkāda veidā mainīt augstspiediena mazgātāja konstrukciju. Iekārtu drīkst lietot **TIKAI** ar detaļām, kuru lietošanu atļāvis uzņēmums Briggs & Stratton.

### POWERflow+ tehnoloģija

Briggs & Stratton" uzņēmuma „Powerflow+” tehnoloģija ir komponentu sistēma, kas, vienoti darbojoties, nodrošina spēcīgas ūdens plūsmas iespējas. „POWERflow+” spēcīgo darbību nodrošina sūkņi ar diviem atsevišķiem mazgāšanas režīmiem: augstspiediena un intensīvas plūsmas režīmu, kas uzlabo mazgāšanu, piekļūstot plašākai zonai ar spēcīgas ziepēšanas un ātrākas skalošanas iespējām.

### Portatīvā paliekošās strāvas iekārtas aizsardzība

Augstspiediena mazgātājs ir aprīkots ar portatīvu paliekošās strāvas iekārtu (PRCD), kas iebūvēta strāvas padeves vada spraudnī. Šī iekārta nodrošina papildu aizsardzību pret elektrotriecienu risku. PRCD nodrošina 10 mA aizsardzību.

### Automātiskā atslēgšana

Sensors atslēdz motoru, ja mazgāšanas pistoles mēlīte atbrīvojas vai noblokējas. Ja motors turpina darboties, kaut mazgāšanas pistoles mēlīte ir atbrīvota vai noblokēta, **NELIETOJĪET IEKĀRTU**. Sazinieties ar „Briggs & Stratton” autorizēto pārstāvi.

**PIEZĪME** Ieslēgšanas/izslēgšanas slēdzim vienmēr ir jābūt izslēgtā pozīcijā (0), kad augstspiediena mazgātājs netiek lietots.

## Motora pārslodze

Pārslodzes aizsargierīce automātiski izslēdz motoru, ja tas pārkarst vai pārmērīgi patērē strāvu. Ja ierīce ziņo par trauksmi, atvienojiet strāvu, nospiežot galveno ieslēgšanas/izslēgšanas slēdzi izslēgšanas (0) pozīcijā. Ļaujiet iekārtai 30 minūtes atdzist un nospiediet ieslēgšanas/izslēgšanas slēdzi ieslēgšanas (I) pozīcijā.

## Iznīcināšana ES



Šis simbols norāda, ka bateriju un elektrisko vai elektronisko ierīču īpašnieks nedrīkst šo ražojumu izmest kopā ar nešķirotiem sadzīves atkritumiem. Šis ražojums jāiznīcina videi atbilstošās atkritumu izgāztuvēs. Lai saņemtu papildu informāciju par iznīcināšanu, lūdzu, sazinieties ar Briggs & Stratton vai savu vietējo mazumtirgotāju.

## Montāža

### Atbalsta cauruļu un roktura pievienošana

#### Attēls 1 2

- Iebīdīd atbalstus (1,A) gropēs. Nocentrējiet un piestipriniet ar skrūvēm (1,B). Saglabājiet centrējumu, pievelkot skrūves.
- Uzmauciet rokturi (2,A) uz balstiem un savietojiet urbumus.
- Ievietojiet stiprinājumu skrūves (2,B) urbumos no iekārtas iekšpuses, nostipriniet ar plastmasas uzgriežņiem (2,C) un ieskrūvējiet.

### Funkcijas un to vadības ierīces Attēls 3

A	Izsmidzināšanas pistole	G	Elektriskais vads ar PRCD
B	7-in-1" sprausla	H	Identifikācijas zīme
C	Piederumu turētājs	J	Ūdens ieplūdes caurule
D	Deterģenta tvertne	K	Augstspiediena izplūdes caurule
E	Galvenais ieslēgšanas/izslēgšanas slēdzis	L	Sprauslas pagarinājums
F	Augstspiediena šļūtene		

## Darbība

### Šļūtenes un ūdensvada pievienošana pie sūkņa

#### Attēls 3 4 6

**PIEZĪME** Izmantojiet TIKAI aukstu ūdeni (ar temperatūru zem 38 °C (100 °F)).

- Ieskrūvējiet augstspiediena šļūteni (3,F) pistolē (3,A).
- Piestipriniet zilo augstspiediena šļūteni (3,F) izplūdes caurulei (3,K) un uzskrūvējiet.
- Pārliecinieties, ka ūdens ieplūdes filtrs un melnā gumijas paplāksne ir uzstādīta ūdens ieplūdes savienojumā (4,A).
- Pievienojiet ūdens ieplūdes savienojumu (4,B) ieplūdes caurulei un uzskrūvējiet.

**PIEZĪME** Labākam sniegumam pievienojiet TIKAI tādām ūdens padeves avotiem, kas spēj nodrošināt padevi, kas lielāka par 5 GPM (18,9 l) un 25-75 psi (1,72-5,17 bāri) elektriskā mazgātāja dārza šļūtenes galā.

- Izskalojiet dārza šļūteni, lai tajā nebūtu netīrumu.

**PIEZĪME** Ja sūkņa ieplūdes caurulē tiek izmantots pretvārsts, tas var sabojāt sūkni. Tāpēc pretvārstu drīkst uzstādīt TIKAI dārza šļūtenē vismaz 3 m (10 pēdas) no augstspiediena mazgātāja ieplūdes caurules.



**BRĪDINĀJUMS!** Ūdens, kas izplūdis cauri pretvārstam, uzskatāms par dzeršanai nederīgu.

- Pievienojiet dārza šļūteni (4,C) (kuras garums nepārsniedz 15m (50 pēdas)) pie ūdens ieplūdes caurules (4,B) un nostipriniet.
- Ieslēdziet ūdens padevi, pavērsiet pistoli drošā virzienā, nospiediet mēlītes bloķēšanas pogu (5,A), tad saspiediet mēlīti, lai sistēmu atgaisotu.
- Pievienojiet sprauslas pagarinājumu (3,L) mazgāšanas pistolei (3,A). Pievelciet ar roku.
- Atvelciet atpakaļ sprauslas pagarinājuma uznavu (7,A), ievietojiet „7-in-1” sprauslu (7,B) un atlaidiet uznavu. Paraustiet sprauslas uzgali, lai pārbaudītu, vai tas ir stingri nostiprināts. Skatiet „7-in-1” sprausla.

### Augstspiediena mazgātāja iedarbināšana

#### Attēls 3 9



**BRĪDINĀJUMS!** Mazgāšanas pistolei ir iespējams atsitiens, vai arī tā var izraisīt citu priekšmetu strauju pārvietošanos, tādēļ iespējami smagi ievainojumi. Strādājot iekārtas tuvumā, vienmēr valkājiet aizsargbrilles ar netiešo ventilāciju (aizsargā pret ķīmikāliju šļakatām), kas atbilst standarta ANSI Z87.1 prasībām.

- Nospiediet galveno ieslēgšanas/izslēgšanas slēdzi (3,E) izslēgšanas (0) pozīcijā.



**BRĪDINĀJUMS!** Elektrotrieciens risks. Kontakts ar detaļām zem sprieguma var izraisīt elektriskās strāvas triecienu, apdegumus, smagus ievainojumus vai pat nāvi. NELIETOJIET ar šo augstspiediena mazgātāju pagarinātāja vadu. Jūsu mājas elektrotīkla sienas kontakts vai pagarinātāja vads nevar nodrošināt dzīvību glābjošu portatīvās paliekošās strāvas iekārtas aizsardzību.

- Pieslēdziet strāvas padeves vadu (3,G) tam paredzētam elektrotīklam ar 220 - 240 voltu maiņstrāvu pie 10 Amp, kas ir atbilstoši uzstādīts saskaņā ar vietējiem noteikumiem un rīkojumiem. Elektrotīkls nedrīkst nodrošināt nekādas citas elektropatēriņa vajadzības.
- Nospiediet ATIESTATES pogu (8,C). Indikators lampiņai (8,B) ir jābūt iedegtai.

**PIEZĪME** Indikatora lampiņai ir jābūt iedegtai, lai elektriskais augstspiediena mazgātājs darbotos.

- Nospiediet TESTA pogu (8,A). Indikators lampiņai (8,B) ir jābūt izslēgtai.
- Nospiediet ATIESTATES pogu (8,C). Indikators lampiņai (8,B) ir jābūt iedegtai.



**BRĪDINĀJUMS!** Elektrotrieciens risks. Ja PRCD nedarbojas, tas var izraisīt nāvi vai miesas bojājumus. Ja indikatora lampiņa pēc testa un atiestates nepaliek iedegta, nelietojiet PRCD.

- Nospiediet galveno ieslēgšanas/izslēgšanas slēdzi ieslēgšanas (I) pozīcijā.
- Pavērsiet pistoli drošā virzienā, nospiediet mēlītes bloķēšanas pogu un saspiediet mēlīti.

Motors iedarbojas un izslēdzas, kad mazgāšanas pistoles mēlīte tiek nospiesta un atlaista.

## 7-in-1 sprausla Attēls 11

Ar „7-in-1” sprauslu jūs varat nomainīt septiņus dažādus mazgāšanas veida uzgaļus. Pirms mazgāšanas uzgaļa nomaiņas, atlaidiet mēlīti uz mazgāšanas pistoles, lai ieslēgtu drošības aizslēgu.

1. Izvēlieties vajadzīgo sprauslas uzgali.
  - Izvēlieties „Maximum 0°” sprauslas uzgali (**A**) grūti notīrāmām vai grūti aizsniedzamām virsmām, piemēram, otrā stāva virsmas, krāsas nomazgāšana, eļļas traipi, rūsas noņemšana vai citas grūti notīrāmas vielas (darva, līme, tauki, vasks u.tml.).
  - Izvēlieties „General 15°” sprauslas uzgali (**B**) smagākiem mazgāšanas uzdevumiem. Ideāli piemērots tauku un netīrumu noņemšanai no cietām virsmām. Spēj noņemt arī krāsu, ja tiek turēts 45° leņķī.
  - Izvēlieties „Gentle 40°” sprauslas uzgali (**C**) maigākai automašīnu/kravas automašīnu, laivu, traileru, pagalma mēbeļu, zāliena iekārtu u.tml. mazgāšanai.
  - Izvēlieties „Fan Spray” sprauslas uzgali (**D**) optimāli intensīvai plūsmi, lai noskalotu vieglus netīrumus un grūžus.
  - Izvēlieties „Fan Spray with Soap” sprauslas uzgali (**F**) maigai automašīnu, kravas automašīnu, bērnu rotaļu iekārtu, pagalma mēbeļu u. tml. mazgāšanai.
  - Izvēlieties „Extended Reach” sprauslas uzgali (**G**) ātrai mazgāšanai ar intensīvu plūsmu un lai aizsniegtu otrā stāva apšuvumu un logus.
  - Izvēlieties „Extended Reach with Soap” sprauslas uzgali (**H**), lai virzītu ziepes uz otrā stāva apšuvumu un logiem.
2. Griežiet ripu, līdz vēlamais izsmidzināšanas veids nocentrējas pret sprauslas „7-in-1” bultiņu.

### Padomi par lietošanu

- Lai efektīvāk mazgātu, turiet sprauslas uzgali 20–61 cm (8–24 collu) attālumā no mazgājamās virsmas.
- Ja sprauslas uzgali ir pārāk tuvu mazgājamai virsmai (īpaši tad, ja izmanto augstspiediena sprauslas uzgali), mazgāšanas laikā virsma var tikt sabojāta.
- NEDRĪKST turēt uzgali tuvāk par 15 cm (6 collām), kad mazgā automašīnas riepas.

### Mazgāšanas līdzekļa lietošana Attēls 3



**BRĪDINĀJUMS!** Ķīmikālijas var apdedzināt ādu un izraisīt smagus ievainojumus vai pat nāvi. AIZLIEGTS izmantot kodīgus šķidrums augstspiediena mazgātājā. Darbā ar augstspiediena mazgātāju izmantojiet TIKAI droši lietojamus mazgāšanas līdzekļus/ziepes. Ievērojiet ražotāja norādījumus.

### Lai lietotu mazgāšanas līdzekli, veiciet tālāk norādītās darbības:

1. Noņemiet mazgāšanas līdzekļa tvertnes vāciņu (**D**) un uzpildiet to ar mazgāšanas līdzekļa šķīdumu. Uzlieciet atpakaļ vāciņu.
2. Pārliedzinieties, ka uz „7-in-1” sprauslas uzgaļa ir iestatīts viens no ziepju izsmidzināšanas sprauslas uzgaļiem.

**PIEZĪME** Mazgāšanas līdzekli nedrīkst uzklāt ar augstspiediena sprauslas uzgaļiem (maximum, general, delicate, fan spray vai, extended reach).

3. Klājiet mazgāšanas līdzekli uz sausas virsmas; sāciet no mazgājamās virsmas lejas daļas un turpiniet uz augšu; klājiet ar garām, vienmērīgām kustībām, kas savstarpēji pārklājas.
4. Pirms mazgāšanas un skalošanas ļaujiet mazgāšanas līdzeklim „iesūkties”, kā norādīts mazgāšanas līdzekļa lietošanas instrukcijā.

### Skalošana ar augstspiediena mazgātāju

1. Izvēlieties vajadzīgo augstspiediena sprauslas uzgali.



**BRĪDINĀJUMS!** Mazgāšanas pistolei ir liels atsitiens spēks, kas var nogāzt lietotāju no kājām, tā izraisot smagus ievainojumus vai pat nāvi. Kad lietojat augstspiediena mazgātāju, stingri stāviet uz stabilas pamatnes. Ievērojiet vislielāko piesardzību, ja augstspiediena mazgātāju lietojat, stāvot uz kāpnēm, sastatnēm vai citas tamlīdzīgas konstrukcijas. Kad veicat mazgāšanu ar augstspiediena strūklu, stingri turiet mazgāšanas pistoli ar abām rokām, lai izvairītos no traumām mazgāšanas pistoles atsitiens gadījumā.

2. Apstrādājiet nelielu virsmas platību ar augstspiediena strūklu un tad pārbaudiet, vai virsma nav bojāta. Ja bojājumu nav, varat turpināt skalošanu.
3. Sāciet darbu no skalojamās virsmas augšdaļas un turpiniet uz leju ar tādām pašām kustībām, kas savstarpēji pārklājas, ar kādām veicat mazgāšanas līdzekļa uzklāšanu.

### Augstspiediena mazgātāja izslēgšana Attēls 3

1. Atlaidiet mazgāšanas pistoles mēlīti.
2. Nospiediet galveno ieslēgšanas/izslēgšanas slēdzi (**E**) izslēgšanas (0) pozīcijā.

**PIEZĪME** Atlaižot mēlīti, motors izslēdzas, bet tas no iekārtas neatslēdz strāvas padevi.

3. Noslēdziet ūdens padevi.
4. VIENMĒR pavērsiet mazgāšanas pistoli drošā virzienā, nospiediet mēlītes bloķēšanas pogu un saspiediet mēlīti, lai atbrīvotu iekārtā uzkrāto spiedienu.



**BRĪDINĀJUMS!** Mazgātāja augstspiediena strūkļa var tik smagi ievainot ādu un zemādas audus, ka var būt nepieciešama amputācija. Kamēr sistēma ir zem spiediena, atstājiet augstspiediena šļūteni, pievienotu pie sūkņa un mazgāšanas pistoles. NEĻAUJIET BĒRNIEM rīkoties ar augstspiediena mazgātāju. Ik reizi, kad apturat augstspiediena mazgātāju, pavērsiet mazgāšanas pistoli tādā virzienā, kur tā NEVIENU un NEKO neapdraud, lai likvidētu augstspiedienu pistolē.

5. Atvienojiet PRCD spraudni (**G**) no elektrotīkla un uztiniet strāvas padeves vadu uz piederumu turētāja apakšējā āķa.
6. Uztiniet spiediena šļūteni uz piederumu turētāja augšējā āķa.
7. Novietojiet sarkano augstspiediena sprauslas uzgali uz sprauslas pagarinājuma gala. Novietojiet mazgāšanas pistoli, sprauslas pagarinājumu un „7-in-1” sprauslas uzgali uz piederumu turētāja.

### Pēc katras lietošanas reizes

Iekārtā nedrīkst ilgi atstāt ūdeni. Uz sūkņa detaļām var veidoties minerālvielu izgulsnējumi, kas traucēs sūkņa darbību. Ik reizi pēc mazgātāja lietošanas rīkojieties turpmāk minētajā veidā:

1. Darbiniet augstspiediena mazgātāju ar ziepju sprauslas uzgali, kamēr tvertne ir tukša.

2. Ielejiet 0,5 litrus ūdens mazgāšanas līdzekļa tvertnē un darbiniet ar ziepju sprauslas uzgali. Izšāciet vienu līdz divas minūtes.
3. Nospiediet galveno ieslēgšanas/izslēgšanas slēdzi izslēgšanas (0) pozīcijā. Izņemiet strāvas vada spraudni no elektrotīkla kontaktspraudņa.
4. Noslēdziet ūdens padevi. Pavērsiet pistoli drošā virzienā, nospiediet mēlītes bloķēšanas pogu un saspiediet mēlīti, lai izlaistu uzkrāto spiedienu.
5. Atvienojiet dārza šļūteni no ūdens ieplūdes caurules. Atvienojiet augstspiediena šļūteni no pistoles un augstspiediena izplūdes caurules.
6. Izlejiet ūdeni no šļūtenes un mazgāšanas pistoles, noslaukiet visas ārējās virsmas.
7. Izlejiet ūdeni no sūkņa, uz divām minūtēm apgāžot iekārtu uz labajiem sāniem (ar ūdens ieplūdes cauruli uz leju). Apgāziet iekārtu otrādi un ļaujiet tai pastāvēt uz augstspiediena izplūdes caurules vēl divas minūtes.
8. Uztiniet spiediena šļūteni uz piederumu turētāja augšējā āķa.
9. Uztiniet strāvas padeves vadu uz piederumu turētāja apakšējā āķa. Novietojiet mazgāšanas pistoli, sprauslas pagarinājumu un „7-in-1” sprauslas uzgali uz piederumu turētāja.
10. Noglabājiet iekārtu tīrā, sausā vietā.
11. Ja iekārtu novietojat uzglabāšanai ilgāk par 30 dienām, tad par to lasiet nodaļā Uzglabāšana.

## Apkope

### Vispārējās rekomendācijas

Regulāra apkope uzlabo iekārtas darbību un pagarina tās darbību. Apkopes veikšanai vērsieties pie autorizēta „Briggs & Stratton” apkopes pārstāvja. NEĻAUJIET bērniem tīrīt vai apkopt iekārtu bez uzraudzības.

Augstspiediena mazgātāja garantija neietver pozīcijas, kas attiecināmas uz operatora nelikumīgu rīcību vai nevērību. Lai varētu pilnīgi izmantot iekārtas garantiju, augstspiediena mazgātāja apkope jāveic stingri atbilstoši rokasgrāmatas norādījumiem, turklāt iekārta jāglabā tieši tā, kā izklāstīts nodaļā *Uzglabāšana*.



**BRĪDINĀJUMS!** Lai iekārta būtu droši lietojama, izmantojiet tikai oriģinālās rezerves daļas, ko piegādājis vai apstiprinājis iekārtas ražotājs. Ja vēlaties vairāk uzzināt par augstspiediena mazgātāja detaļu nomaiņu, lūdzam apmeklēt mūsu tīmekļa vietni [BRIGGSandSTRATTON.COM](http://BRIGGSandSTRATTON.COM). Ja vads ir bojāts, apmeklējiet pilnvaroto Briggs & Stratton apkalpošanas centru.

### Sprauslas apkope

Iztīriet sprauslas uzgali, lai novērstu spiediena pieaugumu sūkņī sprauslas uzgala aizsērēšanas dēļ:

1. Nospiediet galveno ieslēgšanas/izslēgšanas slēdzi izslēgšanas (0) pozīcijā. Izņemiet strāvas vada spraudni no elektrotīkla kontaktspraudņa.
2. Izņemiet „7-in-1” sprauslas uzgali no sprauslas pagarinājuma gala.
3. Ar iztaisnotu papīra saspraudi iztīriet aizsērējušu sprauslas uzgali (B).
4. Ievietojiet „7-in-1” sprauslu atpakaļ sprauslas pagarinājumā.

### Bļivgredzenu apkope Attēls 10

Bļivgredzenu eļļošanai izmanto petroleju vai sintētisko smērvielu, jo tā uzlabo gredzenu bļivējošās īpašības. Pirms augstspiediena šļūtenes (A), augstspiediena šļūtenes (B), pistoles gals (C) un plastmasas nūjiņas montāžas (D) uzklājiet smērvielu uz bļivgredzumiem. Lai iegādātos bļivgredzenu apkopes komplektu, sazinieties ar „Briggs & Stratton” pilnvaroto apkopes pakalpojumu sniedzēju. Savienojumus, kam radusies noplūde, NEDRĪKST labot ar hermētiķi. Nomainiet bļivgredzenu vai bļivi.

### Drošinātāja ar pārnēsājamo paliekošās strāvas ierīci (PRCD) nomaiņa Attēls 11



**BRĪDINĀJUMS!** Lai mazinātu ugunsgrēka risku, nomaiņai lietojiet tikai 13 apmēru drošinātāju, kā nominālie parametri atbilst standartam BS 1362.

Ja iekārtas drošinātājs ir aprīkots ar pārnēsājamo paliekošās strāvas ierīci (PRCD), rīkojieties, kā aprakstīts tālāk:

1. Novietojiet drošinātāju uz PRCD spraudņa tapas malas.
2. Izmantojot plakangala skrūvgriezi, noņemiet pārsegu (A) un drošinātāja bloku. Noņemiet drošinātāju no pārsega. Nomainiet drošinātāju (B) ar 13 apmēru drošinātāju, kā nominālie parametri atbilst standartam BS 1362.
3. Novietojiet pārsegu un drošinātāja bloku tiem paredzētajā vietā.

## Uzglabāšana

*Pēc katras lietošanas reizes* izpildiet 1.-10. etapu.

**PIEZĪME** Ja sūkņī palicis ūdens, tas var sasalt un neatgriezeniski sabojāt sūkni. Garantijas saistības neattiecas uz bojājumiem, kas var rasties sasalšanas dēļ.

### Sūkņa konservācija

Lai novērstu sūkņa bojājumus, ko var radīt minerālvielu izgulsnēšanās vai zema temperatūra, izmantojiet „PumpSaver”, kas pasargās iekārtu no sala, kā arī ieeļļojiet virzuļus un bļives.

**PIEZĪME** Ja iekārta nav nodrošināta pret sasalšanu, sūkņi var tikt sabojāti, un tad iekārta vairs nebūs derīga darbam. Garantijas saistības neattiecas uz bojājumiem, kas var rasties sasalšanas dēļ.

### Noslēguma uzglabāšanas padomi

1. Uztiniet spiediena šļūteni uz piederumu turētāja augšējā āķa.
2. Uztiniet strāvas padeves vadu uz piederumu turētāja apakšējā āķa.
3. Novietojiet mazgāšanas pistoli, sprauslas pagarinājumu un „7-in-1” sprauslas uzgali uz piederumu turētāja.
4. Aplāpējiet iekārtu ar aizsargpārsegu, kas neaiztur mitrumu, un glabājiet tīrā, sausā vietā, kas ir pasargāta no sasalšanas temperatūrām.

# Bojājumu novēršana

Problēma	Iemesls	Risinājums
<b>Sūknim ir šādas problēmas: nav spiediena, nepastāvīgs spiediens, klaboņa, spiediena zudums, sūknē maz ūdens.</b>	<ol style="list-style-type: none"> <li>1. Aizsprostota ūdens ieplūdes caurule.</li> <li>2. Nepietiekama ūdens padeve.</li> <li>3. Ieplūdes šļūtene salocīta vai ar sūci.</li> <li>4. Aizsērējis ūdens ieplūdes filtrs.</li> <li>5. Sprauslas uzgalis aizsprostots.</li> </ol>	<ol style="list-style-type: none"> <li>1. Iztīriet ieplūdes cauruli.</li> <li>2. Nodrošiniet pietiekamu ūdens caurplūdumu.</li> <li>3. Iztaisnojiet dārza šļūteni vai, ja tai ir noplūdes, nomainiet to.</li> <li>4. Iztīriet vai nomainiet ūdens ieplūdes filtru.</li> <li>5. Iztīriet sprauslas uzgali.</li> </ol>
<b>Iekārta needarbojas, kad mazgāšanas pistoles mēlīte ir saspiesta.</b>	<ol style="list-style-type: none"> <li>1. Nav ieslēgta ūdens padeve.</li> <li>2. Iekārta nav ieslēgta.</li> <li>3. Dārza šļūtene ir pārāk gara.</li> <li>4. Izsists drošinātājs vai nostrādājis jaudas slēdzis.</li> </ol>	<ol style="list-style-type: none"> <li>1. Noslēdziet ūdens padevi.</li> <li>2. Nospiediet galveno ieslēgšanas/izslēgšanas slēdzi ieslēgšanas (I) pozīcijā. Veiciet PRCD atiestati.</li> <li>3. Izmantojiet tikai dārza šļūteni ar 15,24 m (50 pēdas) maksimālo garumu.</li> <li>4. a.) Nomainiet drošinātāju vai veiciet jaudas slēdža atiestati.</li> <li>5. b.) Atvienojiet citas elektroiekārtas un izslēdziet apgaismojumu ķēdē vai strādājiet ar tikai tam paredzētu ķēdi. c.) Darbiniet 5 minūtes ar turbo sprauslas uzgali.</li> </ol>
<b>Mazgāšanas līdzeklis nemonāk līdz sprauslai.</b>	<ol style="list-style-type: none"> <li>1. Ir uzstādīts augstspiediena sprauslas uzgalis.</li> <li>2. Pārāk augsts ūdens padeves spiediens.</li> </ol>	<ol style="list-style-type: none"> <li>1. Uzstādiet sprauslas uzgali.</li> <li>2. Lēnām aizveriet ūdens padeves vārstu, līdz sāk plūst ķimikālijas.</li> </ol>
<b>Noplūde šļūtenes savienojumu vietā</b>	<ol style="list-style-type: none"> <li>1. Dārza šļūtene par vaļīgu pievilka pie ūdens ieplūdes caurules.</li> <li>2. Vaļīgi augstspiediena šļūtenes savienojumi.</li> <li>3. Bojāts blīvgredzens.¶</li> </ol>	<ol style="list-style-type: none"> <li>1. Pievelciet dārza šļūteni ar roku.</li> <li>2. Noņemiet un uzstādiet šļūteni no jauna.</li> <li>3. Nomainiet blīvgredzenu.</li> </ol>

Par pārējiem jautājumiem vērsieties pie Briggs & Stratton pilnvarotā izplatītāja.

## Tehniskie dati

Pieļaujama spiediens	MPa/BAR/PSI	16,0/160/2,320*
Maksimālā caurplūde	LPM/GPM	15,0/4,0*
Nominālais spiediens un caurplūde	MPa/BAR/PSI @ LPM/GPM	12/120/1 740 @ 5,5/1,45
Ūdens padeves temperatūra	°C/°F	38/100
Nominālais spriegums	V	220-240
Nominālā frekvence	Hz	50/60
Strāvas patēriņš	W	2,500
Strāva	A	9,0
Aizsardzības klase	Klase	II klase
Aizsardzības pakāpe	IP xx	IPX5
Plaukstas – rokas vibrācija $a_{hd}$ Nenoteiktība K	$m/s^2$ $m/s^2$	$\leq 2,5^*$ $0,2^*$
Skaņas spiediena līmenis $L_{pA}$ Nenoteiktība $K_{pA}$	dB(A) dB(A)	$74^*$ $0,2^*$
Skaņas jaudas līmenis $L_{WA}$	dB(A)	$94^*$
Garantētais skaņas jaudas līmenis $L_{WA,d}$	dB(A)	$96^*$

\* Per EN 60335-2-79: 2012.

## CE atbilstības deklarācija

### Lavorwash spa

Via J.F.Kennedy, 12 – 46020 Pegognaga (MN), Itālija

Par šo izdoto Atbilstības deklarāciju atbild tikai ražotājs. Ar šo tiek apliecināts, ka šajā dokumentā uzskaitītie izstrādājumi atbilst attiecīgajiem Savienības saskaņošanas tiesību aktiem un drīkst tikt marķēti ar CE zīmi. Šie modeļi atbilst tālāk norādītajām Direktīvām un saistītajiem Standartiem.

**Ražojums:** Augstspiediena tīrītājs

**Modelis — tips:** BPW1800PX

#### ES Direktīvas

2006/42/EC (+2009/127/EC)

2006/95/EC

2004/108/EC

2000/14/EC (+2005/88/EC)

2011/65/EU (+2015/863/EU)

2014/35/EU ≥ 2016-04-20

2014/30/EU ≥ 2016-04-20

#### Standarti

EN 60335-1:2012

EN 60335-2-79:2012

EN 62233:2008

EN 55014-1:2006+A1:2009+A2:2011

EN 55014-2:1997+A1:2001+A2:2008

EN 61000-3-2:2006+A1:2009+A2:2009

EN 61000-3-3:2013

EN 50581:2012

#### Skaņas jaudas līmenis

Mērītais, dB(A): **94**

Garantētais, dB(A): **96**

2000/14/EC: Šī ierīce Atbilstības novērtēšanas kārtības Pielikumā I ir definēta ar Nr. 27 saskaņā ar Pielikumu V.

Tehniskā lieta glabājas Lavorwash spa, via J.F.Kennedy, 12 - 46020 Pegognaga (MN), Itālijā.

Lavorwash S.p.A

via J.F.Kennedy, 12

46020 Pegognaga

(MN), Itālijā, Pegonjāgā, 2015. gada 15. oktobrī



Giancarlo Lanfredi

Ģenerāldirektors

**IEROBEŽOTA GARANTĪJA**

Briggs & Stratton garantē, ka garantijas periodā, kas norādīts tālāk, uzņems bez maksas saremontēs vai nomainīs jebkuru daļu, kurai ir materiāla un/vai ražošanas brāķis. Transporta izmaksas par produktu, kurš šīs garantijas ietvaros iesniegts remontam vai apmaiņai, jāsedz pircējam. Garantija ir spēkā tālāk norādītajos laika periodos un ievērojot tālāk izklāstītos nosacījumus. Lai saņemtu garantijas servisu, atrodiat tuvāko autorizēto servisa pakalpojumu sniedzēju mūsu pārstāvju meklēšanas kartē BRIGGSandSTRATTON.com. Pircējam jāsaņem pilnvaroto apkopes pakalpojumu sniedzēju un jānogādā izstrādājums turpmākai pārbaudei un testēšanai pie pilnvarotā apkopes pakalpojumu sniedzēja.

**Citu tiešo garantiju nav. Netiešas garantijas, ieskaitot garantijas par piemērotību pārdošanai un atbilstību noteiktam nolūkam, ir spēkā tālāk norādītajā garantijas periodā, vai arī uz tām attiecināmi tiesību aktos atrunātie ierobežojumi. Jebkura atbildība par nejaušiem vai izrietošiem bojājumiem tiek izslēgta tādā mērā, kādā šī atbildības izslēgšana ir norādīta likumā.** Dažās valstīs un zemēs neatzīst ierobežojumus attiecībā uz to, cik ilgi turpināsies netiešā garantija, bet citās valstīs vai to daļās nepieļauj nejauso vai izrietošo bojājumu izslēgšanu vai ierobežošanu, tādēļ iepriekš minētais ierobežojums un garantijas izslēgšana var uz jums neattiekties. Šī garantija sniedz jums noteiktas juridiskās tiesības, un jums var arī būt citas tiesības, kuras atšķiras dažādās valstīs vai vienas valsts dažādās daļās.\*\*

**GARANTIJAS PERIODS**

Patērētāja lietošana	Komerčiāla lietošana
12 mēneši	Nav

\*\* Austrālijā — mūsu preču garantijai nav iespējamas izmaiņas saskaņā ar Austrālijas Patērētāju likumu. Jums ir tiesības nomainīt izstrādājumu vai saņemt naudas līdzekļu atmaksu, ja izstrādājuma darbībā rodas būtiski traucējumi, vai arī saņemt atbildību, ja rodas citi saprātīgi paredzamie zaudējumi vai bojājumi. Turklāt jums ir tiesības iesniegt izstrādājumu remontam vai nomainīt izstrādājumu, ja tā kvalitāte nav pieņemama, taču tā darbības traucējumi nav būtiski. Lai saņemtu garantijas apkopes pakalpojumus, skatiet pārstāvju meklēšanas karti vietnē BRIGGSandSTRATTON.COM un noskaidrojiet tuvāko pilnvaroto apkopes pakalpojumu sniedzēju vai sazinieties ar mums pa tālruni 1300 274 447, sūtiet e-pasta vēstuli uz e-pasta adresi salesenquires@briggsandstratton.com.au vai rakstiet uz adresi Briggs & Stratton Australia Pty Ltd, 1 Moorebank Avenue, NSW, Australia, 2170.

Garantijas periods sākas dienā, kad izstrādājumu iegādājās pirmais mazumtirdzniecības patērētājs vai komercpatērētājs. „Patērētāja lietošana” nozīmē, ka mazumtirdzniecības patērētājs lieto precī savā mājāsaimniecībā. „Komerčiāla lietošana” nozīmē visus pārējos preces lietošanas veidus, ietverot tirdzniecību, lietošanu ienākumos nesošās nozarēs vai izīrēšanu. Tiklīdz izstrādājumu sāk komerciāli lietot, tas saskaņā ar šīs garantijas noteikumiem turpmāk tiek uzskatīts par komerciāli lietošanai iegādātu izstrādājumu.

Lai nodrošinātu ātru un pilnvērtīgu garantijas servisu, reģistrējiet izstrādājumu augstāk norādītajā vietnē vai vietnē [www.onlineproductregistration.com](http://www.onlineproductregistration.com), nosūtiēt aizpildītu reģistrācijas karti pa pastu vai zvaniet pa tālruni 1-800-743-4115 (ASV).

Saglabājiet čeku, kas apliecina pirkumu. Ja neiesniedzat sākotnējā pirkuma datuma apliecinājumu, kad izstrādājumam nepieciešams garantijas remonts, tad garantijas perioda noteikšanai izmanto izstrādājuma izgatavošanas datumu. Lai varētu izmantot Briggs & Stratton garantiju, nav nepieciešama izstrādājuma reģistrēšana.

**PAR JŪSU GARANTIJU**

Garantijas apkope ir pieejama, sazinoties ar Briggs & Stratton pilnvarotajiem apkopes pakalpojumu sniedzējiem. Lielākā daļa garantijas remontdarbu tiek veikta pēc ierastās kārtības, bet dažreiz prasības pēc garantijas apkalpošanas netiek pieņemtas. Garantija attiecas tikai uz materiālu vai ražošanas defektiem. Tā neattiecas uz bojājumiem, kas radušies nepareizas vai ļaunprātīgas izmantošanas, nepareizas tehniskās apkopes vai remonta dēļ, dabīga nodiluma, sastāvējušās vai neatbilstošas degvielas lietošanas rezultātā.

**Nepienācīga un ļaunprātīga izmantošana** - Pareizā, paredzētā izstrādājuma lietošana ir aprakstīta lietotāja rokasgrāmatā. Izstrādājuma lietošana tādā veidā, kāds nav minēts „Lietotāja rokasgrāmatā”, vai izstrādājuma lietošana pēc tam, kad tas sabojāts, anulē tiesības uz garantiju. Garantija zaudē spēku, ja ir noņemts izstrādājuma sērijs numurs vai izstrādājums ir jebkā pārveidots, kā arī gadījumos, kad var pierādīt tā ļaunprātīgu izmantošanu, piemēram, ja atrasti bojājumi no sitieniem vai ūdens/kīmiskās korozijas pēdas. Nepareiza tehniskā apkope vai remonts.

**Nepareiza tehniskā apkope vai remonts** - Izstrādājums ir jāapkopj atbilstoši lietotāja rokasgrāmatā aprakstītajām procedūrām un grafikam; jebkura veida remonts vai apkope jāveic, izmantojot oriģinālās Briggs & Stratton rezerves daļas vai tām līdzvērtīgas rezerves daļas. Garantija neattiecas uz bojājumiem, kas radušies nepietiekamas tehniskās apkopes vai citu, nevis oriģinālo rezerves daļu lietošanas rezultātā.

**Dabiskais nodilums** - Tāpat kā vairums mehānismu arī šī iekārta nolietosies, pat ja tai veic pareizu apkopi. Garantija nesedz remonta izmaksas, ja iekārtas darbmūžs ir daļēji vai pilnīgi aizritējis parastas lietošanas gaitā. Garantija neattiecas uz daļām, kuras dabiski nolietojas, piemēram, filtri, siksnas, asmeņi, bremžu kluči (izņemot dzinēja bremžu klučus); izņēmums ir gadījumi, kad nolietošāns iemesls ir materiāla vai ražošanas defekts.

**Sastāvējušies vai nepiemērota degviela** - Lai izstrādājums normāli darbotos, tam ir nepieciešama svaiga degviela, kas atbilst lietotāja rokasgrāmatā minētajiem kritērijiem. Garantija nav attiecināma uz dzinēja vai iekārtas bojājumiem, ko izraisījis sastāvējušās vai nepiemērotas degvielas (piemēram, E15 vai E85 etanola maisījumu) lietošana.

**Citi izņēmumi** - Šī garantija neattiecas uz bojājumiem, kas radušies negadījuma, nepareizas lietošanas, modifikāciju, izmaiņu, nepareizas apkopes, sasalšanas vai vielu kīmiskās noārdīšanās rezultātā. Garantija neattiecas uz palīgierīcēm un piederumiem, kas nav iekļauti izstrādājuma komplektācijā. Garantija neattiecas uz aprīkojumu, kas tiek izmantots kā galvenais enerģijas avots parastā elektriskā tīkla vietā, vai uz aprīkojumu, kas tiek izmantots dzīvības atbalsta ierīcēs. Garantija neattiecas uz lietotu, atjaunotu vai prezentācijas nolūkiem paredzētu aprīkojumu vai dzinējiem. Garantija neattiecas uz defektiem, kas radušies stihiskas nelaimes vai citādas nepārvaramas varas dēļ, kuru ražotājs nekādi nespēj ietekmēt.

## Inhoudsopgave

Symbolen veiligheid en bediening. . . . .	4
Machinebeschrijving. . . . .	4
Montage. . . . .	4
Functies en bediening . . . . .	5
Bediening . . . . .	5
Onderhoud . . . . .	7
Opslag . . . . .	7
Problemen oplossen. . . . .	8
Specificaties . . . . .	8
Garantie. . . . .	10

## Symbolen veiligheid en bediening

Er kan een gevarensymbool worden weergegeven om het soort gevaar aan te duiden. **WAARSCHUWING** duidt op een gevaar dat, indien het niet wordt vermeden, *kan* leiden tot de dood of ernstig letsel. **LET OP** wijst op handelingen zonder verband met persoonlijk letsel.



Lees de gebruiksaanwijzing



Elektrische schok



Niet-drinkbaar water



Vloeistofinspuiting



Brand



Chemische brandwonden



Rondvliegende voorwerpen



Waarschuwingssymbool



Aan



Uit



Vallen



Richt het spuitpistool nooit op uzelf, anderen of dieren. Spuit nooit in de buurt van een stroomvoorziening of op het product zelf.

Dit apparaat is niet bedoeld voor gebruik door personen (ook kinderen) met een fysieke, zintuiglijke of mentale beperking, of met onvoldoende ervaring en kennis, tenzij onder toezicht, met instructies over veilige bediening en met erkenning van de mogelijke gevaren.

### WAARSCHUWING

- Deze machine is ontworpen voor gebruik met het reinigingsmiddel als geleverd of aanbevolen door de fabrikant. Het gebruik van andere reinigingsmiddelen of chemicaliën kan een negatieve invloed hebben op de veiligheid van de machine.

- Hogedrukreinigers kunnen gevaarlijk zijn bij verkeerd gebruik. De straal mag niet op personen, stroomvoerende elektrische apparatuur of de machine zelf worden gericht.
- Gebruik de machine niet binnen bereik van personen, tenzij zij veiligheidskleding dragen.
- Richt de straal niet naar uzelf of anderen voor het reinigen van voeten of schoeisel.
- Explosiegevaar – Geen brandbare vloeistoffen sproeien.
- Hogedrukreinigers mogen niet worden gebruikt door kinderen of ongetraind personeel.
- Hogedrukslangen, hulpstukken en koppelingen zijn belangrijk voor de veiligheid van de machine. Gebruik alleen slangen, hulpstukken en koppelingen die worden aanbevolen door de fabrikant.
- Om te zorgen voor de veiligheid van de machine, moet u alleen originele reserveonderdelen van de fabrikant of die zijn goedgekeurd door de fabrikant, gebruiken.
- Water dat door terugslagkleppen is gestroomd, wordt beschouwd als niet-drinkbaar.
- Verwijder de stekker uit het stopcontact om de stroomtoevoer af te sluiten tijdens reiniging of onderhoud en bij het vervangen van onderdelen.
- Gebruik de machine niet als het snoer of belangrijke onderdelen van de machine beschadigd zijn, bijv. veiligheidsapparaten, hogedrukslangen, activeringsmechanisme.
- Gebruik geen verlengsnoer met deze elektrische drukreiniger.
- Schakel de hoofdschakelaar altijd uit bij het onbeheerd achterlaten van de machine.

## Machinebeschrijving



Lees deze handleiding zorgvuldig door om bekend te raken met de hogedrukreiniger. Zorg dat u op de hoogte bent van de toepassingen, beperkingen en eventuele gevaren. Bewaar deze originele instructies voor toekomstig gebruik.

Deze elektrische hogedrukreiniger werkt op een maximum van 12 MPa (120 bar of 1740 psi (pound per vierkante inch)) bij een debiet van maximaal 15,0 lpm (liter per minuut)(2,1 gpm (gallon per minuut)).

We hebben alles in het werk gesteld om ervoor te zorgen dat de informatie in deze handleiding correct en up-to-date is. We behouden ons echter het recht voor het product en dit document te allen tijde en zonder voorafgaand bericht te wijzigen, aan te passen of te verbeteren.

**LET OP** Neem bij vragen over het beoogde gebruik contact op met de dealer of met een geWalficeerd servicecenter. Gebruik NOOIT een apparaat met defecte of ontbrekende onderdelen of zonder beschermende behuizing of kappen. De beveiligingen op dit apparaat mogen NIET omzeild worden. De hogedrukreiniger mag op GEEN enkele wijze gewijzigd worden. Dit apparaat is uitsluitend bedoeld voor gebruik met door Briggs & Stratton **GOEDGEKEURDE ONDERDELEN**.

### POWERflow+-technologie

De POWERflow+-technologie van Briggs & Stratton is een systeem van onderdelen die samenwerken om een hoge stroomcapaciteit te leveren. De kracht achter POWERflow+ zit in de pomp met twee aparte schoonmaakstanden: hoge druk en hoge stroming die reiniging door middel van een groter bereik verbetert, inzepen met kracht en snellere spoelmogelijkheden.

### PRCD - aardlekschakelaar met persoonsbeveiliging

Deze hogedrukreiniger is uitgerust met een (PRCD) aardlekschakelaar, ingebouwd in de stekker van de voedingskabel. Dit apparaat biedt extra bescherming tegen het risico van een elektrische schok. De PRCD biedt bescherming tot 10 mA

### Automatische uitschakelfunctie

Een sensor schakelt de motor uit wanneer de hefboom van het spuitpistool wordt vrijgegeven of geblokkeerd. U **MAG DE MACHINE NIET GEBRUIKEN** als de motor blijft draaien terwijl de hefboom van het spuitpistool is vrijgegeven of vergrendeld. Raadpleeg een geautoriseerde Briggs & Stratton - dealer.

**LET OP** De ON/OFF-schakelaar moet altijd in de stand "OFF" (0) staan, als de hogedrukreiniger niet wordt gebruikt.

### Overbelasting motor

Een beveiliging tegen overbelasting schakelt de motor automatisch uit in geval van oververhitting of te hoog voltage. Als de beveiliging het apparaat uitschakelt, ontkoppel dan de stroomtoevoer door de hoofdschakelaar ON/OFF in de positie OFF (0) te zetten. Laat het apparaat 30 minuten afkoelen en zet de ON/OFF schakelaar in de positie ON (I).

### Afvalverwerking EU



Dit symbool geeft aan dat de eigenaar van de batterijen en elektrische of elektronische apparatuur dit product niet mag weggooien bij het ongesorteerde restafval. Dit product moet naar

speciaal daarvoor bestemde milieustations worden gebracht. Neem contact op met Briggs & Stratton of uw lokale retailer voor aanvullende informatie over afvalverwerking.

## Montage

### Bevestig steunbuizen en handvat Afbeelding

1 2

1. Schuif de dragers(1,A) in de gleuven. Uitlijnen en bevestigen met schroeven (1,B). Blijf uitlijnen tijdens het aandraaien.
2. Plaats handgreep(2,A) op de dragers en lijn uit met de gaten.
3. Steek de slotbouten(2,B) vanaf de binnenkant van het apparaat door de gaten, zet ze vast met de plastic knoppen(2,C) en draai ze aan.

## Funcities en bedieningselementen

### Afbeelding 3

A	Spuitpistool	G	Elektrisch snoer w/ PRCD
B	7-In-1-sproeikop	H	Identificatieplaatje
C	Accessoirehouder I	J	Wateraansluiting
D	Tank voor reinigingsmidde	K	Hogedrukuitlaat
E	Hoofdschakelaar ON/OFF	L	Spuitlans
F	Hogedrukslang		

## Gebruik

### Sluit de slang en watervoorziening aan

#### Afbeelding 3 4 6

**LET OP** Gebruik ALLEEN koud water (kouder dan 38°C (100°F)).

1. Schroef de hogedrukslang (3,F) in het pistool (3,A).
2. Sluit de blauwe hogedrukslang (3,F) aan op uitgang (3,K) en draai deze vast.
3. Controleer of het waterinlaatfilter en de zwarte rubberen onderlegging zijn aangebracht in de waterinlaatkoppeling (4,A).
4. Bevestig waterinlaatkoppeling (4,B) op ingang en draai aan.

**LET OP** Voor de beste prestaties, sluit ALLEEN aan op een waterbron die in staat is om meer dan 5 gpm (18,9 l) te leveren en daarnaast psi (1,72-5,17 bar) aan het einde van de elektrische hogedrukreiniger of tuinslang.

5. Laat water door de tuinslang stromen om eventuele puinresten weg te spoelen.

**LET OP** Bij gebruik van een terugslagklep op de pompinlaat kan de pomp beschadigd raken. Er MOET minimaal 3 m (10 voet) tuinslang zonder obstructies tussen de inlaat van de hogedrukreiniger en de terugslagklep zitten.



**WAARSCHUWING!** Water dat door een terugslagklep is gestroomd, wordt als ondrinkbaar beschouwd.

6. Sluit tuinslang (4,C) (met een maximale lengte van 15 m (50 ft.)) aan op de wateraansluiting (4,B) en draai vast.
7. Zet watertoevoer aan, richt het pistool in een veilige richting, druk de hefboomblokking in (5,A), en knijp in de hefboom om het systeem te ontluchten.
8. Sluit spuitlans (3,L) aan op spuitpistool (3,A). Draai met de hand vast.
9. Trek de kraag van de spuitlans terug (7,A), plaats de 7-in-1-sproeikop (7,B) en laat de kraag los. Trek aan de spuitmond om te controleren of deze goed is bevestigd. Zie 7-in-1-sproeikop.

### Start hogedrukreiniger Afbeelding 3 9



**WAARSCHUWING!** De straal kan terugkaatsen of voorwerpen verplaatsen, wat tot ernstig letsel kan leiden. Indien u dit apparaat gebruikt of u in de buurt ervan bent, draag dan altijd een (chemische) veiligheidsbril met indirecte ventilatie die voldoet aan de norm ANSI Z87.1

1. Zet de hoofdschakelaar ON/OFF (3,E) in de positie OFF (0).



**WAARSCHUWING!** Risico van elektrocutie. Het gebruik van een verlengsnoer kan leiden tot een elektrische schok of brandwonden met de dood of ernstig letsel tot gevolg. Gebruik NOOIT een verlengsnoer met deze elektrische hogedrukreiniger. Het elektrisch stopcontact in uw huis of het verlengsnoer is misschien niet voorzien van een aardlekschakelaar met persoonsbeveiliging.

- Sluit de elektrische voedingskabel aan (**3,G**) op een stopcontact dat geschikt is voor 220-240 volt AC bij 10 Ampère, correct is geïnstalleerd en voldoet aan alle plaatselijk geldende voorschriften en regels. Het stopcontact wordt niet gebruikt voor andere elektrische behoeften.
- Druk op de RESET-knop (**8,C**). Controlelampje (**8,B**) moet AAN zijn.

**LET OP** Het controlelampje moet AAN zijn om de elektrische hogedrukreiniger te laten werken.

- Druk op de TEST-knop (**8,A**). Controlelampje (**8,B**) moet UIT zijn.
- Druk op de RESET-knop (**8,C**). Controlelampje (**8,B**) moet AAN zijn.



**WAARSCHUWING!** Risico van elektrocutie. Een niet werkende PRCD kan leiden tot dood of lichamelijk letsel. Als het controlelampje na de test en reset niet AAN blijft, maak dan geen gebruik van de PRCD.

- Zet hoofdschakelaar ON/OFF in positie ON (I).
- Richt het pistool in een veilige richting, druk de hefboomblokkering in knijp in de hefboom.

De motor zal starten en stoppen zodra spuitpistool wordt ingedrukt en losgelaten.

### 7-In-1-sproeikop Afbeelding 11

Met de 7-in-1 sproeikop kunt u wisselen tussen zeven verschillende straalsoorten. Laat de hefboom van het spuitpistool los voor veiligheidsvergrendeling voordat u de straalsoort wijzigt.

- Selecteer de gewenste straalsoort:
  - Selecteer stand Maximaal 0° (**A**) voor hardnekkige of moeilijk bereikbare oppervlakken zoals oppervlakken op de tweede verdieping, het verwijderen van verf, olievlekken, roest of andere hardnekkige stoffen (teer, lijm, vet, wax, etc.).
  - Selecteer stand Normaal 15° (**B**) voor moeilijkere reinigingstaken. Ideaal voor het verwijderen van vet en vuil van harde oppervlakken. Het kan ook in een hoek van 45° verf verwijderen.
  - Selecteer stand Zacht 40° (**C**) voor milde reiniging van wagens/vrachtwagens, boten, campers, terrasmeubilair, gazonmachines, enz.
  - Selecteer stand Waaier (**D**) voor optimale hogedrukreiniging van licht vuil en afval.
  - Selecteer stand Waaier met zeep (**F**) voor het reinigen van Wetsbare oppervlakken zoals auto's, trucks, speeltoestellen, terrasmeubilair, enz.
  - Selecteer stand Verlengd bereik (**G**) voor snelle hoge doorstroming en het reinigen op hoogte van gevelbeplating en ramen op de tweede verdieping.
  - Selecteer stand Verlengd bereik met zeep (**H**) voor het wassen met zeep van gevelbeplating en ramen op de tweede verdieping.
- Draai aan de knop tot de gewenste straalsoort wordt aangegeven met de pijl op de 7-in-1-sproeikop.

### Gebruikstips

- Voor de meest effectieve reiniging houdt u de spuittip tussen de 20 tot 61 cm (8 tot 24 inch) van het te reinigen oppervlak.
- Als u met de spuitmond te dichtbij komt, vooral als u een hogedrukspuitmond gebruikt, kunt u het te reinigen oppervlak beschadigen.
- KOM NIET dichterbij dan 15 cm (6 inch.) als u banden reinigt.

### Gebruik van reinigingsmiddel Afbeelding 3



**WAARSCHUWING!** Chemicaliën kunnen brandwonden veroorzaken, met de dood of ernstig letsel tot gevolg. Gebruik GEEN bijtende vloeistoffen in de hogedrukreiniger. Gebruik ALLEEN reinigingsmiddelen/zeepsoorten die veilig zijn voor hogedrukreinigers. Volg de aanwijzingen van de fabrikant op.

**Ga voor het aanbrengen van reinigingsmiddel als volgt te werk:**

- Verwijder de stop van de wasmiddeltank (**D**) en vul deze met schoonmaakmiddel. Zet de stop weer terug.
- Zorg dat één van de zeepsproeipatronen is geselecteerd op 7-in-1-sproeikop.

**LET OP** Reinigingsmiddel kan niet worden toegepast met hogedrukspoeiers (maximum, algemeen, zacht, waaier of verlengd bereik).

- Breng het reinigingsmiddel aan op een droog oppervlak. Ga met lange, gelijkmatige, elkaar overlappende halen van onder naar boven.
- Laat het reinigingsmiddel 'inweken' volgens de instructies van de fabrikant, voordat u gaat wassen en afspoelen.

### Spuiten met de hogedrukreiniger

- Selecteer de gewenste hogedrukspuitmond.



**WAARSCHUWING!** Door de terugslag van het spuitpistool kunt u vallen met de dood of ernstig letsel tot gevolg. Bedien de hogedrukreiniger op een stabiele ondergrond. Wees uiterst voorzichtig als u de hogedrukreiniger wilt gebruiken met behulp van een ladder, steiger of soortgelijke constructie. Pak bij gebruik van de hogedrukspuit het spuitpistool met beide handen stevig vast om letsel door de terugslag van het spuitpistool te voorkomen.

- Besluit eerst een klein oppervlak onder hoge druk en controleer het oppervlak op beschadigingen. Wanneer er geen sprake is van beschadiging, kunt u doorgaan met spuiten.
- Begin bovenaan het schoon te spuiten oppervlak, en werk van boven naar beneden, met net zulke overlappende halen als bij het reinigen.

### Stop gebruik hogedrukreiniger Afbeelding 3

- Laat de hefboom van het spuitpistool los.
- Zet de hoofdschakelaar ON/OFF (**E**) naar positie OFF (0).

**LET OP** Het loslaten van de hefboom zet de motor wel uit maar schakelt niet de elektrische voeding naar de eenheid uit.

- Sluit de watertoevoer af.
- Richt het pistool ALTIJD in een veilige richting, druk de hefboomblokkering in en knijp in de hefboom om de opgebouwde druk te laten ontsnappen.



**WAARSCHUWING!** De hogedrukstraal die dit apparaat produceert, kan door de huid en onderliggend weefsel snijden en daardoor ernstig letsel veroorzaken en zelfs amputatie. Laat de hogedrukslang aangesloten zitten op de pomp en het spuitpistool zolang het systeem onder druk staat. Laat de hogedrukreiniger NIET bedienen door KINDEREN. Richt het spuitpistool ALTIJD een veilige kant op, druk de rode knop in en knijp in de hefboom om de hoge druk af te laten, telkens wanneer u de hogedrukspuit uitzet.

5. Trek de PRCD-stekker (**G**) uit het stopcontact en rol de stroomkabel op, om de onderste haak van de accessoirehouder.
6. Rol de hogedrukslang om de onderste haak van de accessoirehouder.
7. Breng de rode hogedrukspuitmond aan op het einde van de spuitlans. Berg het spuitpistool, de spuitlans en de 7-in-1-sproeikop op in de accessoirehouder.

## Na ieder gebruik

Er mag niet lang water in het apparaat blijven staan. Sedimenten of mineralen kunnen zich afzetten op de pomponderdelen en zo de pomp blokkeren. Volg na ieder gebruik de volgende procedures op:

1. Laat de de hogedrukspuit met de zeepsuitmond spuiten tot de tank leeg is.
2. Voeg 0,5 liter water toe aan de zeeptank en spuit met de zeepsuitmond. Spoel door gedurende 1 tot 2 minuten.
3. Zet de hoofdschakelaar ON/OFF in de positie OFF (I). Verwijder de stekker uit het stopcontact.
4. Sluit de watertoevoer af. Richt het pistool in een veilige richting, druk de hefboomblokkering in knijp in de hefboom om opgebouwde druk te laten ontsnappen.
5. Ontkoppel de tuinslang van de wateraansluiting. Ontkoppel de hogedrukslang van het pistool en de uitlaat op de hogedrukspuit.
6. Laat het water uit de slang en het pistool lopen en veeg alle externe oppervlakken af.
7. Laat het water uit de pomp lopen door de unit gedurende twee minuten naar rechts te kantelen (met de wateraansluiting naar beneden). Draai de unit om en laat nog eens twee minuten staan op de hogedrukuitlaat.
8. Rol de hogedrukslang om de onderste haak van de accessoirehouder.
9. Rol de stroomkabel op, aan de onderste haak van de accessoirehouder. Berg het spuitpistool, de spuitlans en de 7-in-1-sproeikop op in de accessoirehouder.
10. Berg het apparaat op in een schone en droge ruimte.
11. Voor opslag gedurende meer dan 30 dagen, zie Opslag.

## Onderhoud

### Algemene aanbevelingen

Regelmatig onderhoud verbetert de prestaties en verlengt de levensduur van de hogedrukreiniger. Raadpleeg een Briggs & Stratton dealer voor service. Laat de kinderen het apparaat NIET reinigen of onderhouden zonder supervisie. De garantie op deze hogedrukreiniger dekt geen items die blootgesteld zijn geweest aan verkeerd gebruik of nalatigheid door de klant. Om volledig aanspraak te kunnen maken op de garantie, moet de gebruiker de hogedrukreiniger volgens de instructies in deze handleiding onderhouden en goed opslaan, zoals beschreven in *Opslag*.



**WAARSCHUWING!** Om de veiligheid van het apparaat te garanderen, dient u uitsluitend originele onderdelen van de fabrikant of door de fabrikant goedgekeurde onderdelen te gebruiken. Raadpleeg bij vragen over de vervanging van onderdelen van uw hogedrukreiniger onze website op [BRIGGSandSTRATTON.COM](http://BRIGGSandSTRATTON.COM). Als het snoer is beschadigd, moet u een geautoriseerd servicecentrum van Briggs & Stratton raadplegen.

## Onderhoud spuittips

Reinig de spuitmond om te hoge pompdruk door een verstopte spuittip te verhelpen:

1. Zet de hoofdschakelaar ON/OFF in de positie OFF (I). Verwijder de stekker uit het stopcontact.
2. Verwijder de 7-in-1-sproeikop vanaf het einde van de spuitlans.
3. Gebruik een kleine paperclip om vreemde voorwerpen, die de spuitmond deels of helemaal verstoppen, los te maken.
4. Bevestig de 7-in-1-sproeikop in de spuitlans.

## Onderhoud o-ringen Afbeelding 10

Het gebruik van smeermiddel (petroleum of synthetisch vet) zorgt voor een betere aansluiting van de o-ringen en dus voor een betere afdichting. Breng smeermiddel aan op de o-ringen voor montage van de hogedrukslang (**A**), hogedrukslang (**B**), pistool (**C**) en plastic steel (**D**).

Koop een onderhoudspakket voor o-ringen. Neem hiervoor contact op met een geautoriseerde Briggs & Stratton dealer. Repareer lekkende aansluitingen NOOIT met een afdichtmiddel. Vervang de o-ring of de afdichting.

## Vervanging zekering PRCD Afbeelding 11



**WAARSCHUWING!** Om het risico op brand te reduceren, moet u alleen vervangen door een zekering met specificatie voor 13 Amp BS 1362.

Indien uitgerust met zekering binnen PRCD:

1. Zoek de zekering op de penzijde van de PRCD-stekker.
2. Verwijder de kap (**A**) en zekering met gebruik van een platte schroevendraaier. Verwijder de zekering (**B**) van de kap. Vervang de zekering door een zekering met specificatie voor 13 Amp BS 1362.
3. Plaats de kap en de zekering.

## Opslag

Volg de stappen 1-10 op in *Na ieder gebruik*.

**LET OP** Water in de pomp kan bevriezen en de pomp onherstelbaar beschadigen. Vorstschade valt niet onder de garantie.

## De pomp beschermen

U wilt de pomp beschermen tegen beschadiging door mineraalafzettingen of bevrozing. Gebruik daarom PumpSaver om vorstschade te voorkomen en de zuigers en afdichtingen te smeren.

**LET OP** Wanneer u het apparaat niet beschermt tegen vorst, zal de pomp beschadigd raken en het apparaat onbruikbaar worden. Vorstschade valt niet onder de garantie.

## Tips voor opslag

1. Rol de hogedrukslang om de onderste haak van de accessoirehouder.
2. Rol de stroomkabel op, aan de onderste haak van de accessoirehouder.
3. Berg het spuitpistool, de spuitlans en de 7-in-1-sproeikop op in de accessoirehouder.
4. Bedek de unit met een beschermende, geschikte afdekking die geen vocht vasthoudt in een schone, droge omgeving, beschermd tegen vorst.

# Problemen oplossen

Probleem	Oorzaak	Oplossing
<b>De pomp heeft de volgende problemen: bouwt geen druk op, instabiele druk, geklapper, drukverlies, laag watervolume.</b>	<ol style="list-style-type: none"> <li>1. Wataansluiting is geblokkeerd.</li> <li>2. Ontoereikende watertoevoer.</li> <li>3. Tuinslang is geknakt of lekt.</li> <li>4. Vervuild water in inlaatfilter.</li> <li>5. Spuittip is verstopt.</li> </ol>	<ol style="list-style-type: none"> <li>1. Maak inlaat vrij.</li> <li>2. Zorg voor goede waterdoorstroming.</li> <li>3. Ontkrul tuinslang of vervang in geval van lekkage.</li> <li>4. Reinig of vervang het waterinlaatfilter.</li> <li>5. Reinig de spuittip.</li> </ol>
<b>Unit start niet als de hefboom van het pistool wordt ingedrukt.</b>	<ol style="list-style-type: none"> <li>1. De watertoevoer is niet ingeschakeld.</li> <li>2. Het apparaat is niet ingeschakeld.</li> <li>3. Tuinslang is te lang.</li> <li>4. Zekering doorgebrand of stroomonderbreker omgeschakeld.</li> </ol>	<ol style="list-style-type: none"> <li>1. Sluit de watertoevoer aan.</li> <li>2. Zet de hoofdschakelaar ON/OFF in positie ON (I). Reset PRCD.</li> <li>3. Gebruik alleen een tuinslang met een maximale lengte van 15,24 m (50 voet).</li> <li>4. a.) Vervang zekering of stroomonderbreker.</li> <li>5. b.) Ontkoppel andere elektrische toestellen en doe de lampen uit in dezelfde schakeling of die zijn aangesloten op hetzelfde stopcontact. c.) Spuit 5 minuten met de turbospuittip.</li> </ol>
<b>Reinigingsmiddel mengt niet met spuitwater.</b>	<ol style="list-style-type: none"> <li>1. Hogedrukspuittip is gemonteerd.</li> <li>2. De watertoevoerdruk is te hoog.</li> </ol>	<ol style="list-style-type: none"> <li>1. Bevestig de sproeikop.</li> <li>2. Sluit langzaam de waterkraan totdat het reinigingsmiddel binnenkomt.</li> </ol>
<b>Slangaansluitingen lekken.</b>	<ol style="list-style-type: none"> <li>1. Tuinslang zit los bij de wataansluiting.</li> <li>2. Verbindingen hogedrukslang zitten los.</li> <li>3. Beschadigde o-ring. ¶</li> </ol>	<ol style="list-style-type: none"> <li>1. Draai handmatig de tuinslang vast.</li> <li>2. Verwijder slang en sluit opnieuw aan.</li> <li>3. Vervang o-ring.</li> </ol>

Raadpleeg bij alle andere problemen een officiële Briggs & Stratton dealer.

Specificaties		
Toelaatbare druk	mPa/bar/psi	16,0/160/2,320*
Max. doorstroming	l/gm/gpm	15,0/4,0*
Nominale druk en stroming	mPa/bar/psi @ lpm/gpm	12/120/1,740 @ 5,5/1,45
Temperatuur watertoevoer	°C/°F	38/100
Spanning	V	220 - 240
Nominale frequentie	Hz	50/60
Stroomverbruik	W	2,500
Stroomsterkte	A	9.0
Beschermingsklasse	Klasse	Klasse 2
Beschermingsgraad	IP xx	IPX5
Hand - Armtrillingen $a_{hd}$ Onzekerheid K	$m/s^2$ $m/s^2$	$\leq 2,5^*$ $0,2^*$
Geluidsdruk niveau $L_{pA}$ Onzekerheid $K_{pA}$	dB(A) dB(A)	$74^*$ $2^*$
Geluidsvermogensniveau $L_{WA}$	dB(A)	$94^*$
Gewaarborgde geluidsvermogensniveau $L_{WAd}$	dB(A)	$96^*$

\* Conform EN 60335-2-79: 2012.

# EU-conformiteitsverklaring

## Lavorwash spa

Via J.F.Kennedy, 12 – 46020 Pegognaga (MN) – Italië

Deze conformiteitsverklaring wordt uitgegeven onder volledige verantwoordelijkheid van de fabrikant. Dit is om de garanderen dat de producten genoemd in dit document in overeenstemming zijn met de relevante harmonisatiewetgeving van de Unie, en CE-markering mogen dragen. Deze modellen voldoen aan de volgende richtlijnen en bijbehorende normen.

**Product:** Hogedrukreiniger

**Model - type:** BPW1800PX

### EU-richtlijnen

2006/42/EC (+2009/127/EC)

2006/95/EC

2004/108/EC

2000/14/EC (+2005/88/EC)

2011/65/EU (+2015/863/EU)

2014/35/EU ≥ 2016-04-20

2014/30/EU ≥ 2016-04-20

### Normen

EN 60335-1:2012

EN 60335-2-79:2012

EN 62233:2008

EN 55014-1:2006+A1:2009+A2:2011

EN 55014-2:1997+A1:2001+A2:2008

EN 61000-3-2:2006+A1:2009+A2:2009

EN 61000-3-3:2013

EN 50581:2012

### Geluidsdruk niveau

Gemeten dB(A): **94**

Gegarandeerd dB(A): **96**

2000/14/EC: Het apparaat is gedefinieerd door nr. 27 van Annex I. Evaluatieprocedure conformiteit in overeenstemming met Annex V.

Het technische bestand is opgeslagen bij Lavorwash spa, via J.F.Kennedy, 12 – 46020 Pegognaga (MN) – Italië

Lavorwash S.p.A  
via J.F.Kennedy, 12  
46020 Pegognaga  
(MN) - Italy Pegognaga, 15 oktober 15, 2015



Giancarlo Lanfredi  
Algemeen directeur

**BEPERKTE GARANTIE**

Briggs & Stratton garandeert dat gedurende de hieronder opgegeven garantieperiode alle onderdelen van het apparaat met materiaal- en/of productiefouten gratis zullen worden gerepareerd en/of vervangen. Transportkosten voor onderdelen die onder deze garantie zijn ingezonden voor reparatie of vervanging komen ten laste van de koper. Deze garantie geldt voor en is onderhevig aan de onderstaande periodes en voorwaarden. Voor garantieservice vindt u de dichtstbijzijnde erkende servicedealer met behulp van de dealerzoekfunctie op BRIGGSandSTRATTON.com. De koper dient contact op te nemen met de erkende servicedealer en het product vervolgens beschikbaar stellen aan de erkende servicedealer voor onderzoek en tests.

**Er zijn geen andere expliciete garanties van toepassing. Impliciete garanties zoals die van verkoopbaarheid en geschiktheid voor een bepaald doel zijn beperkt tot de hieronder vermelde garantietermijn of de wettelijk toegestane periode. Aansprakelijkheid voor incidentele of gevolgschade wordt uitgesloten voor zover dit wettelijk toegestaan is.** Bepaalde staten of landen staan geen beperkingen toe over hoe lang een impliciete garantie geldig is en bepaalde staten of landen staan geen uitsluiting of beperking toe voor incidentele of gevolgschade, zodat de hierboven vermelde beperking en uitsluiting misschien niet op u van toepassing is. Deze garantie verleent u specifieke wettelijke rechten en het is mogelijk dat u ook andere rechten hebt die per staat of per land verschillen.\*\*

**GARANTIEPERIODE**

Particulier gebruik	Commercieel gebruik
12 maanden	Geen

\*\* In Australië - onze artikelen worden geleverd met garanties die onder de Australische consumentenwetgeving niet uitgesloten kunnen worden. U hebt recht op vervanging of terugbetaling voor een groot defect en op compensatie voor alle andere verliezen of schade die in alle redelijkheid te voorzien zijn. U hebt ook het recht om de goederen te laten repareren of vervangen als de goederen niet van aanvaardbare kwaliteit zijn en het gebrek niet leidt tot een belangrijke storing. Voor garantieservice vindt u de dichtstbijzijnde erkende servicedealer met behulp van de dealerzoekfunctie op BRIGGSandSTRATTON.COM of door 1300 274 447 te bellen of door een e-mail of brief te sturen aan salesenquires@briggsandstratton.com.au, Briggs & Stratton Australia Pty Ltd, 1 Moorebank Avenue, NSW, Australië, 2170. De garantieperiode begint op de datum van aankoop door de eerste consument of commerciële klant. "Consumentengebruik" betekent persoonlijk, huishoudelijk gebruik door een particulier. "Commercieel gebruik" betekent ieder ander gebruik, inclusief gebruik voor commerciële doeleinden of het genereren van inkomen d.m.v. verhuurinkomsten. Zodra het product voor commerciële doelen is gebruikt, zal het hierna ten behoeve van deze garantie worden beschouwd als een product voor commercieel gebruik. Voor directe en volledige garantiedekking wordt u verzocht uw product te registreren op de hierboven vermelde website of op [www.onlineproductregistration.com](http://www.onlineproductregistration.com) of om de ingevulde registratiekaart (indien verstrekt) per post te versturen of ons te bellen via nummer 1-800-743-4115 (in de VS). Bewaar uw Witantie als aankoopbewijs. Indien u geen bewijs van de eerste aankoopdatum kunt overleggen bij het verzoek om garantieservice, zal de productiedatum van het product worden gebruikt om de garantieperiode te bepalen. Om in aanmerking te komen voor garantieservice voor producten van Briggs & Stratton hoeft het product niet geregistreerd te zijn.

**OVER UW GARANTIE**

De garantieservice is uitsluitend beschikbaar via erkende servicedealers van Briggs & Stratton. De meeste garantiereparaties worden routinematig afgehandeld, maar soms zijn verzoeken om garantieservice niet billijk. Deze garantie geldt alleen voor materiaal- en/of productiefouten. Deze geldt niet voor schade die is veroorzaakt door verkeerd gebruik of misbruik, verkeerd onderhoud of reparatie, normale slijtage of het gebruik van verschaalde of niet-goedgekeurde brandstof.

**Verkeerd gebruik en misbruik**- Het juiste, beoogde gebruik van dit product wordt beschreven in de gebruikershandleiding. Als u het product gebruikt op een manier die niet is beschreven in de gebruikershandleiding of als u het product gebruikt nadat het is beschadigd, vervalt uw garantie. De garantie geldt ook niet als het serienummer op het product is verwijderd of als het product op een of andere manier is gewijzigd of aangepast of als het product blijkt te zijn misbruikt, zoals blijkt uit slagschade of beschadiging door water/chemische corrosie.

**Verkeerd onderhoud of reparatie**- Dit product moet worden onderhouden volgens de procedures en schema's in de gebruikershandleiding en voor service- en reparatiewerkzaamheden moeten originele Briggs & Stratton-onderdelen of een equivalent daarvan worden gebruikt. Schade die is veroorzaakt door gebrekkig onderhoud of het gebruik van niet-originele onderdelen valt niet onder de garantie.

**Normale slijtage** - Net zoals alle mechanische apparaten is ook uw apparaat onderhevig aan slijtage, zelfs als het goed wordt onderhouden. Deze garantie dekt geen reparaties als door normaal gebruik het einde van de levensduur van een onderdeel of machine wordt bereikt. Onderdelen die moeten worden onderhouden en aan slijtage onderhevig zijn zoals filters, riemen, snijbladen en remblokken (met uitzondering van motorremblokken) vallen niet onder de garantie als het uitsluitend om slijtagekenmerken gaat, maar wel als er sprake is van materiaal- en/of productiefouten.

**Verschaalde of niet-goedgekeurde brandstof**- Om goed te werken, heeft dit product brandstof nodig die voldoet aan de specificaties in de gebruikershandleiding. Motor- of apparatuurschade door verschaalde brandstof of het gebruik van niet-goedgekeurde brandstof (zoals E15 of E85 ethanolmengsels) valt niet onder de garantie.

**Andere uitsluitingen** - Deze garantie is niet van toepassing op schade als gevolg van ongelukken, verkeerd gebruik, modificaties, veranderingen, onjuist onderhoud, bevriezen of chemisch verval. Toevoegingen of toebehoren die oorspronkelijk niet met het product zijn meegeleverd, zijn eveneens uitgesloten. Er is geen garantiedekking voor apparatuur die wordt gebruikt voor primair vermogen in plaats van een krachtinstallatie of met apparatuur die gebruikt wordt in life support-toepassingen. Deze garantie geldt niet voor gebruikte, gereviseerde, tweedehands aangeschafte of voor demonstraties gebruikte apparatuur of motoren. Deze garantie sluit defecten uit die te wijten zijn aan overmacht en andere niet te voorziene gebeurtenissen buiten de controle van de fabrikant (force majeure).

80011059\_NL Versie -

## Innholdsfortegnelse

Sikkerhet og kontrollsymboler	4
Utstørsbeskrivelse	4
Montering	5
Funksjoner og kontroller	5
Drift	5
Vedlikehold	7
Lagring	7
Feilsøking	8
Spesifikasjoner	8
Garanti	10

## Sikkerhets- og kontrollsymboler

Et sikkerhetssymbol kan brukes til å representere den type fare. **ADVARSEL** indikerer en fare som, hvis den ikke unngås, kan føre til død eller alvorlig personskade. **HENSYNT** adresserer praksis som ikke er relatert til personskade.



Les håndboken



Elektrisk støt



Væskeinnstrøying



Sikkerhetsvarsel-symbol



Fall



Flyvende objekter



Brand



Kjemisk brannskade



On (På)



Off (Av)



Ikke-drikkbart vann



Aldri peke pistolen på deg selv, andre eller dyr. Sprut aldri nær strømkilden eller selve enheten.

Denne maskinen er ikke laget for bruk av personer (inkludert barn) med nedsatte fysiske, sensoriske eller mentale evner, eller med manglende erfaring og kunnskap, hvis de ikke er under oppsyn og ikke mottatt instruksjon om sikker drift og forståelse av farene involvert.

### ADVARSEL

- Denne maskinen er konstruert for bruk med rengjøringsmidlet som er levert eller anbefalt av produsenten. Bruk av andre rengjøringsmidler eller kjemikalier kan påvirke sikkerheten til maskinen på negativ måte.

- Høytrykksstråler kan være farlige hvis de utsettes for feilbruk. Strålen må ikke rettes mot personer, elektrisk utstyr som går eller selve maskinen.
- Ikke bruk maskinen innenfor rekkevidden til personer med mindre de bruker vernetøy.
- Ikke rett strålen mot deg selv eller andre for å rengjøre klær eller fottøy.
- Eksplosjonsfare – Ikke spray brennbare væsker.
- Høytrykksspylere skal ikke brukes av barn eller utrent personell.
- Høytrykkslanger, armaturer og koblinger er viktige for sikkerheten til maskinen. Bruk kun slanger, rørdeler og koblinger som er anbefalt av produsenten.
- For å sikre maskinsikkerhet, bruk kun originale reservedeler fra produsenten eller som er godkjent av produsenten.
- Vann som har strømmet gjennom tilbakeslagsventiler anses å være ikke-drikkbart.
- Fjern støpselet fra stikkontakten for å koble fra strømmen under rengjøring eller vedlikehold og ved utskifting av deler.
- Maskinen må ikke brukes hvis ledningen eller viktige deler av maskinen er skadet, f.eks. sikkerhetsanordninger, høytrykkslanger, pistol.
- Ikke bruk en skjøteledning med denne elektriske høytrykksspyleren.
- Slå alltid av hovedbryteren når maskinen forlades uten tilsyn.

## Utstørsbeskrivelse



Les denne manualen nøye og gjør deg kjent med høytrykksspyleren. Lær deg dens brukområder, begrensninger og eventuelle farer som er involvert. Ta vare på disse originalinstruksjonene for framtidig referanse.

Denne høytrykksspyleren opererer ved maksimalt 12.0 MPa (120 BAR eller 1,740 PSI (pund per kvadrattomme)) og en gjennomstrømning på opptil 15.00 LPM (liter per minutt)(4.1 GBP (gallons per minutt)).

Vi har gjort vårt ytterste for å sørge for at informasjonen i denne håndboken er nøyaktig og oppdatert. Vi forbeholder oss retten til å endre, eller på annen måte forbedre produktet og dette dokumentet når som helst uten varsel.

**MERK** Hvis du har spørsmål om tiltenkt bruk, henvender du deg til forhandleren eller tar kontakt med et kvalifisert servicesenter. Utstyret må ALDRI brukes med ødelagte eller manglende deler, eller uten beskyttelsesdeksler. IKKE forbikoble noen sikkerhetsanordning på denne maskinen. Høytrykksspyleren MÅ IKKE modifiseres på noen måte. Dette utstyret er KUN designet for bruk med Briggs & Stratton-godkjente deler.

### Teknologien POWERflow+

Briggs & Strattons teknologi POWERflow+ er et system som består av komponenter som jobber sammen for å levere den høye gjennomstrømningsegenskapen. Kraften bak POWERflow+ ligger i pumpen med to separate rengjøringsmoduser: Høyt trykk og høy gjennomstrømning, som forbedrer rengjøringen gjennom å gi bedre rekkevidde, såpefordeling ved høyt trykk, og raskere renseegenskaper.

## Beskyttelse for portabel lekkasjestrømenhet

Denne Høytrykksspyleren leveres med en beskyttelse for portabel lekkasjestrømenhet (PRCD) som er innebygget i pluggen på strømkabelen. Enheten gir ekstra beskyttelse mot elektrisk støt. PRCD gir beskyttelse på 10 mA.

### Automatisk slukning

En sensor vil slå av motoren når avtrekkeren på høytrykksspylerpistolen slippes eller låses. IKKE BRUK MASKINEN dersom motoren fortsatt er påslått mens avtrekkeren på pistolen slippes eller låses. Ta kontakt med et Briggs & Stratton autorisert forhandlerverksted.

**MERK** ON/OFF-bryteren skal alltid stå i posisjonen OFF (0) når høytrykksspyleren ikke er i bruk.

### Overbelastning av motor

Overbelastningsvern slår automatisk av motoren hvis den blir overopphetet eller trekker for mye strøm. Hvis enheten utløses, koble fra strømmettet ved å vri hovedbryteren ON/OFF til posisjonen OFF (0). La enheten avkjøle seg i 30 minutter og skru så hovedbryteren til posisjon PÅ (I).

### EU Avhending



Dette symbolet angir at eieren av batterier og elektrisk eller elektronisk utstyr skal ikke kaste dette produktet sammen med husholdningsavfallet. Dette produktet skal kastes av i miljøriktige avfallssteder.

Ta venligst kontakt med Briggs & Stratton eller din lokale forhandler for ytterligere informasjon disposisjon.

## Montering

### Koble til støtterør og håndtak Figur 1 2

1. Trekk støttene (1,A) inn i sporene. Still inn og fest med skruer (1,B). Sørg for at innstillingen opprettholdes mens du strammer til.
2. Plasser håndtaket (2,A) på støttene og still inn hullene.
3. Sett inn boltene (2,B) gjennom hullene fra innsiden av enheten, og fest med plastknoppene (2,C) og stram til.

## Funksjoner og kontroller Figur 3

<b>A</b>	Sprøytepistol	<b>G</b>	Strømkabel m/ PRCD
<b>B</b>	7-i-1-dyse	<b>H</b>	Identifikasjonsetikett
<b>C</b>	Tilbehørsbrett	<b>J</b>	Vanninntak
<b>D</b>	Vaskemiddeltank	<b>K</b>	Høytrykksuttak
<b>E</b>	Hovedbryter	<b>L</b>	Dyseforlengelse
<b>F</b>	Høytrykksslange		

## Drift

### Koble til slange og vanntilførsel Figur 3 4 6

**MERK** Bruk KUN kaldt vann (under 38 °C (100°F)).

1. Skru Skruer høytrykksslange (3,F) i pistol (3,A).
2. Sett den blå høytrykksslengen (3,F) på utløpet (3,K) og stram til.
3. Kontroller at vanninntaksgitteret og svart gummisikringskive er montert på vanninntakskoblingen (4,A).
4. Sett på vanninntakskoblingen (4,B) på inntaket og stram til.

**MERK** For best mulig ytelse, må kun vannkilder med forsyning på over 5 GPM (18,9 l) og 25–75 psi (1,72–5,17 bar) kobles til den elektriske høytrykksspyler-enden av hageslangen.

5. Skyll vannet gjennom hageslangen for å fjerne rester.

**MERK** Bruk av retursperre på pumpeinntaket kan skade pumpen. Det MÅ være minimum 3 m (10 fot) åpen hageslange mellom høytrykksspylerens inntak og retursperren.



**ADVARSEL!** Vann som har passert en retursperre regnes som ikke drikkbart.

6. Koble hageslangen (4,C) (ikke overskrid 15 m) til vanninntaket (4,B) og stram til.
7. Skru vannet til ON, rett pistolen i en sikker retning, trykk på avtrekkerknappen og (5,A), hold så avtrekkeren inne for å slippe ut trykket.
8. Sett på dyseforlenger (3,L) på sprøytepistolen (3,A). Skru til for hånd.
9. Trekk tilbake på dyseforlengerens mansjett (7,A), sett inn 7-i-1-dysen (7,B) og slipp mansjetten. Trekk i sprøytetuppen for å sørge for at den sitter godt. Se 7-i-1-dyse.

### Start høytrykksspyleren Figur 3 9



**ADVARSEL!** Strålen kan sprute eller kaste objekter, som kan føre til alvorlige skader. Bruk alltid kjemiske vernebriller med ANSI Z87.1-godkjenning ved bruk eller i nærheten av dette utstyret.

1. Skru hovedbryteren (3,E) til posisjonen AV (0).



**ADVARSEL!** Fare for dødelig elektroshokk. Kontakt med strømkilden kan forårsake elektrisk støt eller brannskader og føre til død eller alvorlige skader. IKKE BRUK skjøteledning med denne elektriske høytrykksspyleren. Den elektriske kretsbeholderen eller skjøteledning i hjemmet ditt gir ikke nødvendigvis livreddende beskyttelse for portabel lekkasjestrømenhet.

2. Plugg strømkabelen (3,G) inn i en egen strømkrets for 220-240 Volter ved 10 Amps, og som er installert på riktig vis og i samsvar med alle lokale forskrifter. Kretsen skal ikke forsyne noen andre elektriske behov.
3. Trykk RESET (NULLSTILLING)-knappen (8,C). Indikatorlampen (8,B) skal være PÅ.

**MERK** Indikatorlampen må være PÅ for at den elektriske høytrykksspyleren skal fungere.

4. Trykk på TEST-knappen (8,A). Indikatorlampen (8,B) skal være AV.
5. Trykk RESET (NULLSTILLING)-knappen (8,C). Indikatorlampen (8,B) skal være PÅ.



**ADVARSEL!** Fare for dødelig elektroshokk. Ikke-fungerende PRCD kan resultere i død eller alvorlig skade. Hvis indikatorlampen ikke forblir PÅ etter utført test og tilbakestilling, må du ikke bruke PRCD.

6. Skru hovedbryteren ON/OFF til posisjon PÅ (I).
7. Rett pistolen i en sikker retning, trykk på avtrekkerknappen og hold avtrekkeren inne.

Motoren starter og stopper når pistolavtrekkeren trykkes og slippes.

## 7-i-1-dyse Figur 11

7-i-1-dyse lar deg bytte mellom syv forskjellige spyledysemønstre. Slipp avtrekkeren på pistolen for å aktivere sikkerhetslåsen før du endrer spylemønster.

1. Velg ønsket spylemønster:
  - Velg maksimalt 0° (**A**) dyseinnstilling for vanskelige eller dårlig tilgjengelige overflater slik som høytliggende overflater, malingsfjerning, oljeflekker, rustfjerning eller andre vanskelige substanser (tjære, tyggegummi, fett, voks osv.).
  - Velg generell 15° (**B**) dyseinnstilling for vanskeligere rengjøringsoppgaver. Perfekt for fjerning av fett og smuss fra harde overflater. Kan også fjerne maling når den holdes i en vinkel på 45°.
  - Velg skånsom 40° (**C**) dyseinnstilling for skånsom rengjøring av biler/lastebiler, båter, campingvogner, hagemøbler, gressklippere osv.
  - Velg viftespyling (**D**) dyseinnstilling for optimal gjennomstrømning for rengjøring av lett smuss og rusk.
  - Velg viftespyling med såpe (**E**) dyseinnstilling for delikat overflaterengjøring av biler, lastebiler, lekeapparater, hagemøbler osv.
  - Velg ekstra rekkevidde (**F**) dyseinnstilling for rask høy gjennomstrømning og lang rekkevidde for rengjøring av høytliggende fasader og vinduer.
  - Velg ekstra rekkevidde med såpe (**G**) dyseinnstilling for å spyle såpe til høytliggende fasader og vinduer.
2. Drei hjulet til ønsket spylemønster er innrettet med pilen på 7-i-1-dysen.

### Tips til bruk

- For mest mulig effektiv rengjøring, hold spyletuppen fra 20 til 61 cm fra overflaten som skal rengjøres.
- Hvis spyletuppen kommer for nærme, spesielt ved bruk av høytrykkstupp, kan du risikere å skade overflaten som rengjøres.
- IKKE kom nærmere enn 15 cm ved rengjøring av dekk.

## Bruk av rengjøringsmiddel Figur 3



**ADVARSEL!** Kjemikalier kan forårsake brannskader med påfølgende død eller alvorlige skader. Etsende væske MÅ IKKE brukes med høytrykksspyleren. Bruk KUN rengjøringsmidler/såpe som er egnet for høytrykksspyler. Følg produsentens instruksjoner.

### For bruk av rengjøringsmiddel, følg disse trinnene:

1. Ta av lokket på rengjøringsmiddeltanken (**D**), og fyll den opp med rengjøringsmiddel. Skifte tanklokk.
2. Sørg for at et såpespylemønster er valgt på 7-i-1-dysen.

**MERK** Rengjøringsmiddel kan ikke brukes med en dyseforlengelse (maksimalt, generell, skånsom, viftespyling eller ekstra rekkevidde).

3. Påfør rengjøringsmiddel på en tørr overflate, start med den nedre delen av området som skal vaskes og jobb deg oppover med lange, jevne, overlappende strøk.
4. La rengjøringsmidlet «trekke inn» i henhold til produsentens instruksjoner før vasking og skylling.

## Skylling av høytrykksspyler

1. Velg ønsket dyseforlengelse på høytrykksspyler.



**ADVARSEL!** Rekyll fra spylepistolen kan forårsake fall og påfølgende død eller alvorlig skade. Høytrykksspyleren må stå på et jevnt underlag. Vær ekstremt forsiktig hvis du må bruke høytrykksspyleren i stige, på stillaser eller lignende. Hold sprøytepistolen med fast grep med begge hender når du bruker høytrykksspyling for å unngå alvorlige skader ved rekyll i sprøytepistolen.

2. Spyl med høyt trykk på et lite område og se etter skader på overflaten. Fortsett å skylle hvis du ikke ser skader.
3. Start øverst på området som skal skylles, jobb deg nedover med de samme overlappende strøkene du brukte til rengjøring.

## Stans høytrykksspyleren Figur 3

1. Slipp avtrekkeren på spylepistolen.
2. Skru hovedbryteren ON/OFF (**E**) til posisjon AV (0).

**MERK** Slippes avtrekkeren, vil motoren skrus av, men ikke strømtilførselen til enheten.

3. Steng av vanntilførselen.
4. Rett ALLTID pistolen i en sikker retning. Trykk på avtrekkerknappen og hold avtrekkeren inne for å slippe ut trykket i enheten.



**ADVARSEL!** Dette utstyrets høytrykksstråle kan kutte hud og underliggende vev, og føre til alvorlige skader med mulig amputasjon. Hold høytrykkslangen tilkoblet pumpen og sprøytepistolen når systemet er under trykk. BARN MÅ IKKE bruke høytrykksspyleren. Sprøytepistolen må ALLTID pekes i en sikker retning. Trykk inn den røde knappen og avtrekkeren for å slippe ut høyt trykk hver gang du slår av høytrykksspyleren.

5. Koble ut PRCD-pluggen (**G**) fra utløpet, og kveil opp strømkabelen rundt den nedre knaggen på tilbehørsbrettet.
6. Heng høytrykkslange over øverste knagg på tilbehørsbrettet.
7. Oppbevar rød høytrykksdyse på enden av dyseforlengelsen. Oppbevar sprøytepistol, dyseforlengelse og 7-i-1-dyse på tilbehørsbrett.

## Etter hvert bruk

Vann må ikke stå i enheten over lengre perioder. Sedimenter og mineraler kan samle seg på pumpens deler og hindre den fra å fungere. Følg disse fremgangsmåtene etter hvert bruk:

1. Kjør høytrykksspyleren med såpespyletupp inntil tanken er tom.
2. Fyll vaskemiddeltanken med 0,5 liter med vann, og bruk så apparatet med såpespyletupp. Skyll i ett til to minutter.
3. Skru hovedbryteren til posisjonen AV (0). Koble strømkabelen fra stikkkontakten.
4. Steng av vanntilførselen. Rett pistolen i en sikker retning, trykk på avtrekkerknappen og hold avtrekkeren inne for å slippe ut trykket.
5. Koble inntaksslangen fra vanninntaket. Koble høytrykkslangen fra pistolen og høytrykkslangen.

6. Drener vann fra slangen og pistolen, og tørk av alle utvendige flater.
7. Drener vannet fra pumpen ved å tilte enheten på høyre side (vanninntaket vendt nedover) i to minutter. Tilt enheten over på siden og la den lene seg mot høytrykksuttaket i ytterligere to minutter.
8. Heng høytrykkslange over øverste knagg på tilbehørsbrettet.
9. Kveil opp strømkabelen rundt den nedre knaggen på tilbehørsbrettet. Oppbevar sprøytepipett, dyseforlengelse og 7-i-1-dyse på tilbehørsbrettet.
10. Oppbevar enheten på et rent, tørt sted.
11. Ved oppbevaring i over 30 dager, se Oppbevaring.

## Vedlikehold

### Generelle anbefalinger

Regelmessig vedlikehold vil gi motoren bedre ytelse og lenger levetid. Oppsøk en autorisert Briggs & Stratton serviceforhandler for vedlikehold. La IKKE barn å rengjøre eller vedlikeholde uten tilsyn.

Garantien på denne høytrykksspyleren dekker ikke elementer som har vært utsatt for brukerens misbruk eller neglisjering. For at garantien skal gi full dekning må brukeren holde høytrykksspyleren som beskrevet i denne manualen, inkludert riktig oppbevaring som beskrevet i *Oppbevaring*.



**ADVARSEL!** For å sikre maskinsikkerhet, bruk kun originale reservedeler fra produsenten eller godkjent av produsenten. Hvis du har spørsmål om bytte av komponenter på høytrykksspyleren kan du gå til nettsiden vår **BRIGGSandSTRATTON.COM**. Hvis ledningen er skadet, kan du oppsøke et Briggs & Stratton autorisert serviceverksted.

### Dysevedlikehold

Rengjør spyletuppen for å hindre for høyt pumpetrykk som følge av tilstoppet spyletupp:

1. Skru hovedbryteren til posisjonen AV (0). Koble strømkabelen fra stikkontakten.
2. Fjern 7-i-1-dysen fra enden av dyseforlengelsen.
3. Bruk en liten binders til å fjerne materiale som tilstopper dysen.
4. Sett tilbake 7-i-1-dysen i dyseforlengeren.

### Vedlikehold av O-ring Figur 10

Bruk av et smøremiddel (vaselin eller syntetisk fett) bidrar til å gi O-ringene bedre forsegling. Påfør smøremiddel på O-ringene før høytrykkslange kobles på pumpeinntaket (A), høytrykkslange (B), sprøytepipett (C), og dyseforlengelse (D). Kjøp et vedlikeholdssett for O-ring ved å kontakte en autorisert Briggs & Stratton serviceforhandler. Koblinger som lekker må ALDRI repareres med tetningsmasse av noe slag. Erstatt O-ring eller tetning.

### PRCD-erstatning av sikring Figur 11



**ADVARSEL!** For å redusere risikoen for brann, erstatt kun med 13-ampere BS 1362-sikring.

Hvis utstyrt med sikring innen PRCD:

1. Finn sikringen på pinnesiden av PRCD-pluggen.
2. Fjern dekselet (A) og sikringsmonteringen ved hjelp av en flat skrutrekker. Ta av sikringen (B) fra dekselet. Erstatt sikringen med 13-ampere BS 1362-sikring.
3. Sett inn dekselet og sikringsmonteringen.

## Oppbevaring

Følg trinn 1–10 i *Etter hvert bruk*.

**MERK** Vann som las ligge i pumpen kan fryse og skade pumpen permanent. Frostskafer dekkes ikke av garantien.

### Beskyttelse av pumpen

For å beskytte pumpen mot skader forårsaket av mineraloppsamling eller frost, bruk PumpSaver for å hindre frostskafer og til å smøre stempler og tetninger.

**MERK** Hvis enheten ikke beskyttes mot frost vil pumpen skades og bli defekt. Frostskafer dekkes ikke av garantien.

### Andre råd for oppbevaring

1. Heng høytrykkslange over øverste knagg på tilbehørsbrettet.
2. Kveil opp strømkabelen rundt den nedre knaggen på tilbehørsbrettet.
3. Oppbevar sprøytepipett, dyseforlengelse og 7-i-1-dyse på tilbehørsbrettet.
4. Dekk til enheten med et beskyttelsesdeksel som ikke holder på fuktighet, og oppbevar den i et rent, tørt område, beskyttet fra minusgrader.

# Feilsøking

Problem	Årsak	Korrigering
<b>Pumpen har følgende problemer: Produserer ikke trykk, ujevnt trykk, skrangling, trykktaut, lav vannmengde.</b>	<ol style="list-style-type: none"> <li>1. Vanninntaket er tilstoppet.</li> <li>2. Utilstrekkelig vanntilførsel.</li> <li>3. Inntaksslengen har knekk eller lekker.</li> <li>4. Vanninntaksgitter er tilstoppet.</li> <li>5. Sprøytetuppen er tilstoppet.</li> </ol>	<ol style="list-style-type: none"> <li>1. Rengjør inntak.</li> <li>2. Sørg for tilstrekkelig vanngjennomstrømning.</li> <li>3. Rett ut hageslangen eller erstatt den dersom den lekker.</li> <li>4. Rengjør eller erstatt vanninntaksgitter.</li> <li>5. Rengjør spyletupp.</li> </ol>
<b>Enheten vil ikke starte når sprøtepistolens avløser trykkes.</b>	<ol style="list-style-type: none"> <li>1. Vanntilførselen er ikke på.</li> <li>2. Enheten er ikke på.</li> <li>3. Hageslangen er for lang.</li> <li>4. Sikringen har gått eller automatsikringen har blitt utløst.</li> </ol>	<ol style="list-style-type: none"> <li>1. Steng av vanntilførselen.</li> <li>2. Skru hovedbryteren ON/OFF til posisjon PÅ (I). Tilbakestill PRCD.</li> <li>3. Bruk en hageslange som er maks. 15,24 m lang.</li> <li>4. a.) Erstatt eller tilbakestill automatsikring. b.) Koble fra andre elektriske apparater og slå av lysene i kretsen eller bruk egen krets. c.) Kjør i 5 minutter med sprøytetupp for høyt trykk.</li> </ol>
<b>Rengjøringsmiddel blandes ikke med spray.</b>	<ol style="list-style-type: none"> <li>1. Høytrykksdyse er montert.</li> <li>2. For høyt trykk på vanninntak.</li> </ol>	<ol style="list-style-type: none"> <li>1. Monter spyletuppen på dysen.</li> <li>2. Steng sakte av vannforsyningsventilen inntil kjemikaliene begynner å trekke.</li> </ol>
<b>Slangeforbindelsen lekker.</b>	<ol style="list-style-type: none"> <li>1. Hageslangen er løs ved vanninntak.</li> <li>2. Løs høytrykkslangeforbindelse.</li> <li>3. Skade på O-ring.</li> </ol>	<ol style="list-style-type: none"> <li>1. Skru til hageslangen for hånd.</li> <li>2. Ta ut slangen og sett inn på nytt.</li> <li>3. Erstatt O-ring.</li> </ol>

For alle andre spørsmål, se en Briggs & Stratton autorisert forhandler.

## Spesifikasjoner

Tillatt trykk	MPa/BAR/PSI	16,0/160/2,320*
Maks. strømning	LPM/GPM	15,0/4,0*
Klassifisert trykk og strømning	MPa/BAR/PSI ved LPM/GPM	12/120/1 740 @ 5,5/1,45
Temperatur på vanntilførsel	°C/°F	38/100
Merkespenning	V	220–240
Rangert frekvens	Hz	50/60
Strømforbruk	W	2,500
Strøm	A	9,0
Beskyttelsesklasse	Klasse	Klasse 2
Beskyttelsesgrad	IP xx	IPX5
Hånd til arm-vibrasjon $a_{hd}$ Usikkerhet K	$m/s^2$ $m/s^2$	$\leq 2,5^*$ $0,2^*$
Lydtrykknivå $L_{pA}$ Usikkerhet $K_{pA}$	dB(A) dB(A)	$74^*$ $2^*$
Lydnivå $LWAL_{WAd}$	dB(A)	$94^*$
Garantert lydeffektnivå $WAd$	dB(A)	$96^*$

\* Per EN 60335-2-79: 2012.

## ES-samsvarserklæring

### Lavorwash spa

Via J.F.Kennedy, 12 – 46020 Pegognaga (MN) – Italia

Denne samsvarserklæringen er utstedt under ansvar av produsenten. Det bekreftes herved at produktene som er oppført i dette dokumentet er i samsvar med den relevante Unionens harmonisering lovgivning og kan bære CE-merket. Disse modellene er i samsvar med følgende direktiver og relaterte standarder.

**Produkt:** Høytrykksspyler

**Modell - Type:** BPW1800PX

#### EU-direktiver

2006/42/EC (+2009/127/EC)

2006/95/EC

2004/108/EC

2000/14/EC (+2005/88/EC)

2011/65/EU (+2015/863/EU)

2014/35/EU ≥ 2016-04-20

2014/30/EU ≥ 2016-04-20

#### Standarder

EN 60335-1:2012

EN 60335-2-79:2012

EN 62233:2008

EN 55014-1:2006+A1:2009+A2:2011

EN 55014-2:1997+A1:2001+A2:2008

EN 61000-3-2:2006+A1:2009+A2:2009

EN 61000-3-3:2013

EN 50581:2012

#### Lydeffektnivå

Målt dB(A): **94**

Garantert dB(A): **96**

2000/14/ES: Apparatet er definert av No. 27 i vedlegg I. samsvarsvurderings prosedyre i samsvar med vedlegg V.

Den tekniske filen er lagret i LAVORWASH spa, via JFKennedy, 12-46020 Pegognaga (MN) - Italia.

Lavorwash S.p.A

via J.F.Kennedy, 12

46020 Pegognaga

(MN) - Italia Pegognaga, oktober 15, 2015



Giancarlo Lanfredi

General leder

**BEGRENSET GARANTI**

Briggs & Stratton garanterer at i løpet av garantiperioden som er angitt nedenfor, vil det reparere eller erstatte gratis, alle deler som er defekt i materiale eller utførelse eller begge deler. Transportkostnader for produktet som leveres inn til reparasjon eller erstatning under denne garantien må dekkes av kjøperen. Denne garantien gjelder for og er underlagt tidsperiodene og betingelsene nedenfor. Finn nærmeste autoriserte servicesenter ved hjelp av forhandlerkartet hos BriggsandStratton.com. Kjøperen må kontakte den autoriserte serviceforhandleren, og deretter gjøre produktet tilgjengelig for den autoriserte serviceforhandleren for inspeksjon og testing.

**Det er ingen andre uttrykte garantier. Implisitte garantier, inkludert de av salgbarhet og egnethet for et bestemt formål, er begrenset til garantiperioden oppført nedenfor, eller i den grad loven tillater det. Ansvar for tilfeldige skader eller følgeskader er unntatt i den grad eksklusjon er tillatt ved lov.**

Enkelte stater eller land tillater ikke begrensninger på hvor lenge en underforstått garanti varer, og noen stater eller land tillater ikke utelukkelse eller begrensning av tilfeldige skader eller følgeskader, så de ovennevnte begrensningene og utelukkelsene gjelder ikke for deg. Denne garantien gir deg spesifikke juridiske rettigheter, og du kan også ha andre rettigheter som varierer fra stat til stat eller land til land.\*\*

**GARANTIPERIODE**

Forbrukeransettelse	Profesjonelt bruk
12 måneder	Ingen

\*\* Gjelder Australia - Våre varer selges her med garantier som ikke kan utelukes i henhold den australske forbrukerkjøpsloven. Du har rett til erstatning eller refusjon for en større feil, og som erstatning for alle andre rimelig forutsigbare tap eller skader. Du har også rett til å få varene reparert eller erstattet hvis varene ikke er av akseptabel kvalitet og svikten ikke skyldes en stor feil. For garantiservice, finn nærmeste autoriserte serviceforhandler i oversikten over forhandlere på BRIGGSandSTRATTON.COM, eller ring 1300 274 447, eller send e-post eller skriv til salesenquires@briggsandstratton.com.au, Briggs & Stratton Australia Pty Ltd, 1 Moorebank Avenue, NSW, Australia, 2170.

Garantiperioden starter på kjøpsdatoen ved første detalj eller kommersielle forbruker. "Privat bruk" betyr personlig husholdningsbruk av en privatforbruker. "Profesjonelt bruk" betyr all annen bruk, herunder bruk for kommersielle formål, inntektservervelse eller utleieformål. Når et produkt har blitt brukt kommersielt, vil det deretter bli betraktet som et kommersielt brukt produkt i forhold til anvendelse av denne garantien.

For å sikre rask og fullstendig garantidekning må du registrere produktet på nettstedet som vises over eller på [www.onlineproductregistration.com](http://www.onlineproductregistration.com), eller du kan sende det utfylte registreringskortet (hvis et slikt finnes) via e-post, eller ringe 1-800-743-4115 (i USA).

Ta vare på bevis på kjøpet i form av kvittering. Hvis du ikke kan legge fram bevis på første salgsdato når garantiservice forespørres, vil produksjonsdatoen for produktet bli brukt til å bestemme garantiperioden. Produktregistrering er ikke nødvendig for å få garantiservice på Briggs & Stratton-produkter.

**OM DIN GARANTI**

Garantitjenesten er bare tilgjengelig via Briggs & Stratton autorisert serviceforhandler. De fleste garantireparasjonene utføres rutinemessig, men noen ganger forespørslar om garantiservice ikke er hensiktsmessig. Denne garantien dekker kun defekter i materialer og utførelse. Den dekker ikke skader som skyldes feil bruk eller misbruk, galt vedlikehold eller reparasjon, normal slitasje eller foreldet eller ikke-godkjente typer drivstoff.

**Feil bruk og misbruk** – Dette produktets riktige, tiltenkte bruk er beskrevet i bruksanvisningen. Bruker du produktet på en måte som ikke er beskrevet i brukerhåndboken eller bruker du produktet etter at det er blitt skadet, vil dette gjøre garantien ugyldig. Garantien gjelder ikke hvis serienummeret på produktet er blitt fjernet eller hvis produktet har blitt endret eller modifisert på noen måte, eller hvis produktet har bevis på misbruk som støtskade, eller vann-/kjemiske korrosjonsskader.

**Mangelfullt vedlikehold eller reparasjon** – Dette produktet må vedlikeholdes i henhold til de prosedyrene og planene som er gitt i bruksanvisningen, og vedlikeholdes eller repareres med originale Briggs & Stratton -deler eller tilsvarende. Skader forårsaket av manglende vedlikehold eller bruk av uoriginale deler dekkes ikke av garantien.

**Normal slitasje** – Som de fleste mekaniske enheter, blir enheten utsatt for slitasje, og det selv når den blir riktig vedlikeholdt. Denne garantien dekker ikke reparasjoner når en del eller utstyret er slitt ut pga. normal bruk. Deler som er gjenstand for vedlikehold og slitasje, slik som for eksempel filter, belter, kutteblad og bremseklosser (unntatt motorbremseklosser) er ikke dekket av garantien på grunn av slitasje-egenskaper alene, med mindre årsaken bunner i defekter pga. materiale eller utførelse.

**Foreldet eller ikke-godkjent drivstoff** – For å fungere riktig, krever dette produktet nytt drivstoff som oppfyller de kriteriene som er angitt i bruksanvisningen. Motor- eller utstyrsskader forårsaket av gammelt drivstoff eller bruk av ikke-godkjent drivstoff (for eksempel E15 eller E85 etanolblandinger) dekkes ikke av garantien.

**Andre utelukkelse** – Denne garantien utelukker skade på grunn av ulykke, misbruk, modifikasjoner, endringer, feilaktig vedlikehold, frysing eller kjemisk nedbryting. Vedlegg eller tilbehør som ikke opprinnelig var pakket sammen med produktet og fulgte med i pakningen er også ekskludert. Det er ingen garantidekning på utstyr som brukes for primær kraft i stedet for strøm eller på utstyr som brukes i livsoppretholdende applikasjoner. Denne garantien inkluderer ikke brukt, overhalt, second-hand, eller demonstrasjonsutstyr eller motorer. Denne garantien utelukker også feil på grunn av naturkatastrofer og andre force majeure-hendelser utenfor produsentens kontroll.

## Spis treści

Symbol bezpieczeństwa i sterowania.....	4
Opis urządzenia .....	4
Montaż.....	5
Funkcje i sterowania.....	5
Obsługa.....	5
Konserwacja .....	7
Przechowywanie.....	7
Rozwiązywanie problemów .....	8
Specyfikacje .....	8
Gwarancja.....	10

## Symbol bezpieczeństwa i sterowania

Symbol bezpieczeństwa może być używany do zasygnalizowania rodzaju zagrożenia. **OSTRZEŻENIE** wskazuje zagrożenie, które, jeśli mu się nie zapobiegnie, może spowodować poważne obrażenia lub śmierć. **UWAGA** oznacza działania, które nie stwarzają zagrożenia odniesieniem obrażeń ciała.



Przeczytać instrukcję



Porażenie prądem elektrycznym



Wprowadzanie płynu



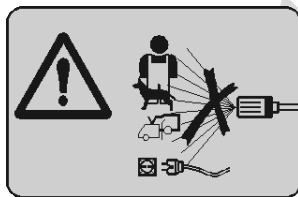
Symbol alarmu bezpieczeństwa



Porażenie chemiczne



Woda nienadająca się do picia



Nie wolno nigdy kierować pistoletu rozpylającego w stronę siebie, innych osób lub zwierząt. Nie wolno rozpylać w pobliżu źródeł zasilania lub samego urządzenia.

To urządzenie nie jest przeznaczone do użycia przez osoby (w tym dzieci) o ograniczonych możliwościach fizycznych, sensorycznych lub umysłowych bądź nieposiadające odpowiedniej wiedzy lub doświadczenia, jeśli takie osoby nie są nadzorowane i nie zostaną im przekazane instrukcje dotyczące bezpiecznej obsługi i powiązanych z pracą zagrożeń.

### OSTRZEŻENIE

- Ta maszyna została zaprojektowana z myślą o użyciu ze środkiem czyszczącym dostarczonym lub zalecanym przez producenta. Użycie innych środków czyszczących lub chemicznych może mieć negatywny wpływ na bezpieczeństwo maszyny.

- Nieprawidłowe obchodzenie się ze strumieniami pod wysokim ciśnieniem może być niebezpieczne. Strumienia nie można kierować na osoby, urządzenia elektryczne pod napięciem ani samą maszynę.
- Nie używać maszyny, gdy w zasięgu jej działania znajdują się osoby, chyba że mają one założoną odzież ochronną.
- Nie kierować strumienia na siebie lub inne osoby w celu wyczyszczenia odzieży lub obuwia.
- Ryzyko wybuchu — nie rozpylać cieczy łatwopalnych.
- Myjki wysokociśnieniowe nie są przeznaczone do użycia przez dzieci lub osoby nieprzeszkolone.
- Stan przewodów i złączek wysokociśnieniowych jest ważny dla bezpieczeństwa maszyny. Używać wyłącznie przewodów i złączek zalecanych przez producenta.
- W celu zapewnienia bezpieczeństwa maszyny używać wyłącznie oryginalnych części zamiennych pochodzących od producenta lub zatwierdzonych przez producenta.
- Woda, która przepłynęła przez urządzenia zapobiegające przepływowi wstecznemu, nie nadaje się do picia.
- Na czas czyszczenia, konserwacji lub wymiany części maszyny wyłączyć wtyczkę z gniazda w celu odłączenia zasilania.
- Nie używać maszyny, jeśli jej przewód zasilający lub inne ważne elementy, takie jak urządzenia zabezpieczające, przewody wysokociśnieniowe czy spust, są uszkodzone.
- Z tą myjką wysokociśnieniową nie używać przedłużacza.
- W razie pozostawienia maszyny bez dozoru zawsze wyłączać ją za pomocą przełącznika głównego.

## Opis urządzenia



Należy uważnie zapoznać się z niniejszą instrukcją oraz oznaczeniami na agregacie. Należy zapoznać się z dopuszczalnymi zastosowaniami, ograniczeniami oraz niebezpieczeństwami. Należy zachować oryginalną instrukcję do wykorzystania w przyszłości.

Ten elektryczny agregat pracuje z maks. ciśnieniem 12,0 MPa (120 barów lub 1,740 PSI) i maks. przepływem 15,00 l/min (4,0 gal./min).

Dołożono wszelkich starań, aby informacje zawarte w niniejszej instrukcji były dokładne i aktualne. Zastrzegamy sobie jednak prawo do zmiany, modyfikacji lub usprawnienia w inny sposób tego produktu i niniejszego dokumentu w dowolnej chwili, bez wcześniejszego powiadomienia.

**UWAGA** Pytania na temat przeznaczenia urządzenia należy kierować do dystrybutora lub kontaktować się z autoryzowanym punktem serwisowym. **NIGDY** nie wolno obsługiwać urządzenia z uszkodzonymi lub brakującymi częściami lub bez obudowy i osłon zabezpieczających. **NIE** wolno obchodzić urządzeń zabezpieczających. **NIE** wolno w żaden sposób modyfikować agregatu. Urządzenie to jest przeznaczone do stosowania **WYŁĄCZNIE** z autoryzowanymi częściami firmy Briggs & Stratton.

### Technologia POWERflow+™

Technologia POWERflow+ firmy Briggs & Stratton to układ elementów współpracujących ze sobą w celu zapewnienia dużego przepływu. Technologia POWERflow+ wykorzystuje pompę z dwoma osobnymi trybami czyszczenia: wysokociśnieniowego i wysokoprzepływowego, które zwiększają wydajność czyszczenia dzięki większemu zasięgowi, podciśnieniowemu namydłaniu oraz szybszemu sputkiwaniu.

### Przenośny wyłącznik różnicowo-prądowy

Agregat jest dostarczany z przenośnym wyłącznikiem różnicowo-prądowym wbudowanym we tyłek przewodu zasilania. Wyłącznik ten zapewnia dodatkową ochronę przed porażeniem prądem. Przenośny wyłącznik różnicowo-prądowy zapewnia ochronę na poziomie 10 mA.

### Automatyczne wyłączenie

Czujnik wyłączy silnik po zwolnieniu lub zablokowaniu spustu pistoletu rozpylającego. Jeśli silnik nadal będzie pracował po zwolnieniu lub zablokowaniu spustu pistoletu rozpylającego, **ZAPRZESTAĆ UŻYWANIA URZĄDZENIA**. Skontaktować się z autoryzowanym sprzedawcą Briggs & Stratton.

**UWAGA** Gdy agregat nie jest używany, wyłącznik powinien zawsze być ustawiony w pozycji OFF (WYŁ.) (0).

### Przeciążenie silnika

Moduł chroniący przed przeciążeniem automatycznie wyłącza silnik w przypadku jego przegrzania lub nadmiernego poboru prądu. Jeśli moduł zostanie aktywowany, odłączyć zasilanie przez naciśnięcie wyłącznika głównego ON/OFF i ustawienie go w pozycji OFF (WYŁ.) (0). Odczekać 30 minut, aż urządzenie ostygnie i ustawić wyłącznik w pozycji ON (I).

### Utylizacja na terenie UE



Ten symbol oznacza, że nie wolno składować akumulatorów lub urządzeń elektrycznych i elektronicznych wraz z nieposegregowanymi odpadami miejskimi. Produkt należy składować w

odpowiednich lokalizacjach zgodnych z wymogami przepisów o ochronie środowiska. Aby uzyskać dodatkowe informacje dotyczące utylizacji, należy skontaktować się z firmą Briggs & Stratton lub z lokalnym sprzedawcą.

## Montaż

### Podłączyć przewody wspomagające i uchwyt Rys 1 2

1. Wsunąć wsporniki (1,A) w odpowiednie miejsca. Ustawić i zamocować śrubami (1,B). Podczas dokręcania utrzymywać odpowiednie ustawienie.
2. Umieścić uchwyt (2,A) na wspornikach i odpowiednio ustawić otwory.
3. Przełożyć śruby mocujące (2,B) przez otwory od wnętrza urządzenia, założyć pokręta z tworzywa sztucznego (2,C) i dokręcić.

## Funkcje i sterowanie Rys 3

A	Pistolet rozpylający	G	Przewód zasilania z przenośnym wyłącznikiem różnicowo-prądowym
B	Dysza 7 w 1	H	Etykieta identyfikacyjna
C	Półka na akcesoria	J	Włot zasilania wodą
D	Zbiornik na detergent	K	Wylot wysokociśnieniowy
E	Główny wyłącznik	L	Przedłużenie dyszy
F	Przewód wysokociśnieniowy		

## Obsługa

### Podłączanie przewodu i układu doprowadzania wody Rys 3 4 6

**UWAGA** Używać **WYŁĄCZNIE** zimnej wody (o temperaturze poniżej 38°C (100°F)).

1. Wkręcić wąż wysokociśnieniowy (3,F) do pistoletu (3,A).
2. Podłączyć niebieski przewód wysokociśnieniowy (3,F) do wylotu (3,K) i dokręcić go.
3. Sprawdzić, czy zamontowano filtr wlotowy wody oraz czarną uszczelkę gumową na złączu wlotowym wody (4,A).
4. Podłączyć złącze wlotowe wody (4,B) do wlotu i dokręcić je.

**UWAGA** Aby zapewnić najwyższą wydajność, podłączyć **WYŁĄCZNIE** do źródła doprowadzania wody umożliwiającego przepływ większy niż 5 gal./min (18,9 l) i ciśnienie 1,72-5,17 bara (25-75 psi) na końcu węża ogrodowego agregatu.

5. Przepuścić nieco wody przez wąż ogrodowy w celu usunięcia zanieczyszczeń.

**UWAGA** Stosowanie przerywacza próżni na wlocie pompy może spowodować uszkodzenie pompy. Pomiędzy wlotem agregatu a przerywaczem próżni **MUSZA** być co najmniej 3 metry (10 stóp) nieograniczonego węża ogrodowego.



**OSTRZEŻENIE!** Woda, która przepłynęła przez blokadę przepływu zwrotnego jest niezdarna do picia.

6. Podłączyć wąż ogrodowy (4,C) (maks. długość 15 m (50 stóp)) do wlotu wody (4,B) i dokręcić go.
7. Włączyć doprowadzanie wody, skierować pistolet w bezpiecznym kierunku i nacisnąć przycisk blokady spustu (5,A), a następnie nacisnąć spust, aby odpowietrzyć układ.
8. Zamontować przedłużenie dyszy (3,L) na pistolecie rozpylającym (3,A). Dokręcić ręcznie.
9. Odciągnąć kołnierz przedłużenia dyszy (7,A), założyć dyszę 7 w 1 (7,B) i zwolnić kołnierz. Pociągnąć za końcówkę w celu sprawdzenia, czy jest ona dobrze zamocowana. Zob. Dysza 7 w 1.

### Uruchamianie agregatu Rys 3 9



**OSTRZEŻENIE!** Rozpylony płyn może zostać odbity od obiektów albo rozpedzić obiekt, co może skutkować poważnymi obrażeniami. Podczas używania tego urządzenia albo wykonywania pracy w jego pobliżu zawsze zakładać okulary ochronne z pośrednią wentylacją (do ochrony przed rozbryzgami chemikaliów), zgodne z normą ANSI Z87.1.

1. Nacisnąć wyłącznik główny (3,E) i ustawić go w pozycji OFF (WYŁ.) (0).



**OSTRZEŻENIE!** Zagrożenie porażeniem prądem. Zastosowanie przedłużacza może spowodować porażenie prądem elektrycznym lub poparzenia skutkujące poważnymi obrażeniami lub śmiercią. **NIE** podłączać przedłużacza do tego agregatu. Domowe gniazda lub przedłużacza mogą nie być wyposażone w przenośne wyłączniki różnicowo-prądowe chroniące bezpieczeństwo użytkowników.

10

- Podłączyć przewód zasilania (**3,G**) do specjalnego gniazdka elektrycznego 220 - 240 V pr. zm. i 10 A, odpowiednio zainstalowanego i spełniającego wszelkie lokalne normy i przepisy. Dany obwód zasilania nie może zasilać innych urządzeń.
- Nacisnąć przycisk RESET (WYZERUJ) (**8,C**). Kontrolka (**8,B**) powinna być zapalona.

**UWAGA** Agregat do pracy wymaga zapalanej kontrolki.

- Nacisnąć przycisk TEST (**8,A**). Kontrolka (**8,B**) powinna być zgaszona.
- Nacisnąć przycisk RESET (WYZERUJ) (**8,C**). Kontrolka (**8,B**) powinna być zapalona.



**OSTRZEŻENIE!** Zagrożenie porażeniem prądem. Niedziałający przenośny wyłącznik różnicowo-prądowy może prowadzić do obrażeń ciała lub śmierci. Jeśli po przetestowaniu i wyzerowaniu kontrolka nie pozostaje zapalona, nie używać takiego przenośnego wyłącznika różnicowo-prądowego.

- Nacisnąć wyłącznik główny i ustawić go w pozycji ON (WŁ.) (I).
- Skierować pistolet w bezpiecznym kierunku, nacisnąć przycisk blokady spustu, a następnie nacisnąć spust.

Silnik zostanie uruchomiony i zatrzymany po zwolnieniu spustu pistoletu rozpylającego.

### Dysza 7 w 1 Rys 12

Dysza 7 w 1 pozwala na przełączanie między siedmioma różnymi dyszami rozpylania. Zwolnić spust pistoletu rozpylającego, aby włączyć blokadę bezpieczeństwa przed zmianą rodzaju rozpylania.

- Wybrać rodzaj rozpylania:
  - wybrać dyszę maks. 0° (**A**) do czyszczenia trudnych do usunięcia zabrudzeń lub trudno dostępnych powierzchni, np. na wysokości pierwszego piętra, do usuwania farby, plam oleju, rdzy lub innych substancji sprawiających trudności (smoła, guma, smar, wosk itp.);
  - wybrać dyszę ogólną 15° (**B**) do czyszczenia z substancji sprawiających trudności. Doskonałe rozwiązanie do usuwania smaru i zabrudzeń z twardych powierzchni. Jeśli dysza jest ustawiona pod kątem 45° można w ten sposób również usuwać farbę;
  - wybrać delikatną dyszę 40° (**C**) do delikatnego czyszczenia samochodów/samochodów ciężarowych, łodzi, kamperów, mebli ogrodowych, sprzętu ogrodowego itp.;
  - wybrać dyszę rozpylającą (**D**) do optymalnego sputkiwania wysokociśnieniowego i usuwania niewielkich zabrudzeń i odpadów;
  - wybrać dyszę do rozpylania środka czyszczącego (**F**) do delikatnego czyszczenia samochodów, samochodów ciężarowych, zabawek dla dzieci, mebli ogrodowych itp.;
  - wybrać dyszę o zwiększonym zasięgu (**G**) do szybkiego czyszczenia z wysokim przepływem wody bardziej oddalonych miejsc i okien na poziomie pierwszego piętra;
  - wybrać dyszę o zwiększonym zasięgu ze środkiem czyszczącym (**H**) do skierowania strumienia środka czyszczącego na miejsca i okna na poziomie pierwszego piętra.
- Przekręcić pokrętkę w celu wybrania odpowiedniego rodzaju rozpylania poprzez wskazanie go strzałką na dyszy 7 w 1.

### Wskazówki

- W celu uzyskania najlepszych efektów czyszczenia trzymać dyszę od 20 do 61 cm (od 8 do 24 cali) od czyszczonej powierzchni;
- trzymanie dyszy zbyt blisko, szczególnie w przypadku dyszy wysokociśnieniowej, może spowodować uszkodzenie czyszczonej powierzchni;

- NIE zbliżać końcówki bardziej niż na 15 cm (6 cali) do powierzchni czyszczonych opon.

### Stosowanie detergentu Rys 3



**OSTRZEŻENIE!** Środki chemiczne mogą spowodować poparzenia skutkujące poważnymi obrażeniami lub śmiercią. NIE stosować żrących cieczy w połączeniu z agregatem. Stosować WYŁĄCZNIE bezpieczne dla agregatu detergenty/środki czyszczące. Postępować zgodnie z instrukcjami producenta.

### W celu zastosowania detergentu wykonać następujące czynności:

- Zdjąć korek zbiornika na detergent (**D**) i napełnić zbiornik rozcieńczonym detergentem. Założyć ponownie korek.
- Upewnić się, że na dyszy 7 w 1 wybrano jedną z dysz do rozpylania środka czyszczącego.

**UWAGA** Nie rozpylać detergentu za pomocą dysz wysokociśnieniowych (maks., ogólna, delikatna, rozpylająca lub o zwiększonym zasięgu).

- Stosować detergent na suchą powierzchnię, zaczynając od najniższej położonego fragmentu powierzchni do wyczyszczenia i przesuwać się w górę długimi, równomiernymi, nakładającymi się częściowo ruchami.
- Przed zmyciem i sputkaniem zaczekać na wsiąknięcie detergentu, zgodnie z instrukcjami producenta

### Sputkiwanie za pomocą agregatu

- Wybrać dyszę wysokociśnieniową.



**OSTRZEŻENIE!** Odrzut pistoletu rozpylającego może spowodować upadek skutkujący poważnymi obrażeniami lub śmiercią. Obsługiwać agregat na stabilnej powierzchni. Zachować szczególną ostrożność w przypadku konieczności obsługi agregatu z drabiny, rusztowania albo innego podobnego miejsca. Podczas rozpylania pod wysokim ciśnieniem mocno chwycić pistolet rozpylający obiema rękami w celu uniknięcia obrażeń na skutek odrzutu pistoletu.

- Skierować strumień pod wysokim ciśnieniem na niewielki obszar i sprawdzić, czy powierzchnia nie została uszkodzona. Jeśli powierzchnia nie została uszkodzona, kontynuować sputkiwanie.
- Zaćnąć od najwyżej położonego fragmentu powierzchni do sputkania i przesuwać się w dół takimi samymi, nakładającymi się częściowo ruchami, jakie były wykonywane podczas czyszczenia.

### Wyłączanie agregatu Rys 3

- Zwolnić spust pistoletu rozpylającego.
- Nacisnąć wyłącznik główny (**E**) i ustawić go w pozycji OFF (WYŁ.) (0).

**UWAGA** Zwolnienie spustu spowoduje wyłączenie silnika, lecz nie odłączy zasilania elektrycznego urządzenia.

- Wyłączyć doprowadzanie wody.
- ZAWSZE należy skierować pistolet w bezpiecznym kierunku, nacisnąć przycisk blokady spustu, a następnie nacisnąć spust, aby pozbyć się podciśnienia z urządzenia.



**OSTRZEŻENIE!** Strumień wody pod wysokim ciśnieniem generowany przez to urządzenie może przebić skórę i znajdujące się pod nią tkanki, co może skutkować poważnymi obrażeniami lub amputacją. Gdy system jest pod ciśnieniem, przewód wysokociśnieniowy musi być podłączony do pompy i pistoletu rozpylającego. NIE zezwalać na obsługę agregatu przez DZIECI. ZAWSZE podczas wyłączania agregatu kierować pistolet rozpylający w bezpiecznym kierunku i nacisnąć spust pistoletu, aby pozbyć się podciśnienia.

- Odłączyć wtyk z przenośnym wyłącznikiem różnicowo-prądowym (**G**) z gniazda i zwinać przewód zasilania na dolnym zaczepie półki na akcesoria.

- Owinąć przewód wysokociśnieniowy o górny zaczepek półki na akcesoria.
- Założyć czerwoną dyszę wysokociśnieniową na koniec przedłużenia dyszy. Umieścić pistolet rozpylający, przedłużenie dyszy oraz dyszę 7 w 1 na półce na akcesoria.

### Po każdym użyciu

Woda nie powinna pozostawać w systemie przez dłuższy czas. Na elementach pompy mogą się gromadzić osady i minerały, utrudniając jej działanie. Po każdym użyciu należy wykonać następujące czynności:

- Uruchomić agregat z zamontowaną dyszą do rozpylania środka czyszczącego i opróżnić zbiornik przez rozpylenie całej jego zawartości.
- Dołączyć 0,5 l wody do zbiornika na detergent i uruchomić urządzenie z założoną dyszą do rozpylania środka czyszczącego. Przepłukiwać urządzenie przez 1-2 min.
- Nacisnąć wyłącznik główny i ustawić go w pozycji OFF (WYŁ.) (0). Wyjąć wtyk przewodu zasilania z gniazda elektrycznego.
- Wyłączyć doprowadzanie wody. Skierować pistolet w bezpiecznym kierunku, nacisnąć przycisk blokady spustu, a następnie nacisnąć spust, aby pozbyć się podciśnienia.
- Odłączyć wąż ogrodowy od gniazda wlotu wody. Odłączyć przewód wysokociśnieniowy od pistoletu i gniazda wylotu wysokociśnieniowego.
- Wylać wodę z przewodu i pistoletu rozpylającego oraz wytrzeć powierzchnie zewnętrzne.
- Opróżnić pompę z wody, przechylając ją na prawą stronę (gniazdo wlotu wody skierowane w dół) i pozostawiając w tej pozycji na dwie minuty. Odwrócić urządzenie i odczekać kolejne dwie minuty po ustawieniu go na gnieździe wylotu wysokociśnieniowego.
- Owinąć przewód wysokociśnieniowy o górny zaczepek półki na akcesoria.
- Owinąć przewód zasilania o dolny zaczepek półki na akcesoria. Umieścić pistolet rozpylający, przedłużenie dyszy oraz dyszę 7 w 1 na półce na akcesoria.
- Przechowywać urządzenie w czystym i suchym miejscu.
- W przypadku przechowywania przez okres dłuższy niż 30 dni zob. część Przechowywanie.

## Konserwacja

### Zalecenia ogólne

Regularna konserwacja zapewni prawidłowe osiągi agregatu i wydłuży jego okres eksploatacji. Wszelkie informacje na temat serwisowania można uzyskać w każdym autoryzowanym punkcie serwisowym firmy Briggs & Stratton. NIE zezwalać dzieciom na samodzielne czyszczenie lub konserwację urządzenia.

Gwarancja dotycząca niniejszego agregatu nie obejmuje sytuacji związanych z użytkowaniem niezgodnym z przeznaczeniem lub zaniedbaniem. W celu skorzystania z pełnej ochrony gwarancyjnej operator musi wykonywać prace konserwacyjne agregatu w sposób wskazany w niniejszej instrukcji, co obejmuje również prawidłowe przechowywanie, opisane w części *Przechowywanie*.



**OSTRZEŻENIE!** W celu zapewnienia bezpieczeństwa należy używać wyłącznie oryginalnych części zamiennych, pochodzących od producenta urządzenia lub przez niego zatwierdzonych. W razie jakichkolwiek pytań dotyczących wymiany elementów agregatu należy odwiedzić naszą witrynę internetową BRIGGSandSTRATTON.COM. W przypadku uszkodzenia przewodu zasilającego należy skontaktować się z autoryzowanym punktem serwisowym Briggs & Stratton.

## Konserwacja dyszy

Wyczyścić dyszę w celu zmniejszenia nadmiernego ciśnienia pompy spowodowanego zatankowaniem końcówki rozpylającej:

- Nacisnąć wyłącznik główny i ustawić go w pozycji OFF (WYŁ.) (0). Wyjąć wtyk przewodu zasilania z gniazda elektrycznego.
- Zdjąć dyszę 7 w 1 z końca przedłużenia dyszy.
- Za pomocą małego spinacza do papieru usunąć wszelkie ciała obce zatykające lub ograniczające przepływ przez dyszę.
- Ponownie zamocować dyszę 7 w 1 na przedłużeniu dyszy.

## Konserwacja o-ringów Rys 10

Użycie środka smarnego (benzyny lub smaru syntetycznego) ułatwia osadzenie o-ringów i zwiększa szczelność. Należy smarować o-ringi przed zamontowaniem przewodu wysokociśnieniowego (A), przewody wysokociśnieniowego (B), pistolet rozpylający (C), oraz uchwytu z tworzywa sztucznego (D).

Zakupić zestaw do konserwacji o-ringów, kontaktując się z autoryzowanym punktem serwisowym firmy Briggs & Stratton. NIGDY nie naprawiać przeciekających połączeń za pomocą jakiegokolwiek środka uszczelniającego. Wymienić o-ring lub uszczelkę.

## Wymiany bezpiecznika PRCD Rys 11



**OSTRZEŻENIE!** Aby zmniejszyć ryzyko pożaru, wymienić wyłącznie na bezpiecznik BS 1362 o amperażu 13 A.

Jeśli PRCD zawiera w środku bezpiecznik:

- Znaleźć bezpiecznik po stronie wtyku PRCD z bolcami.
- Za pomocą płaskiego śrubokręta wymontować pokrywę (A) i zespół bezpiecznika. Wymontować bezpiecznik (B) z pokrywki. Wymienić bezpiecznik na bezpiecznik BS 1362 o amperażu 13 A.
- Zamontować pokrywę i zespół bezpiecznika.

## Przechowywanie

Wykonać czynności od 1 do 10 opisane w części *Po każdym użyciu*.

**UWAGA** Woda pozostała w pompie może zamarznąć i doprowadzić do nieodwracalnego uszkodzenia pompy. Uszkodzenia spowodowane zamarzaniem nie są objęte gwarancją.

## Zabezpieczanie pompy

Aby zabezpieczyć pompę przed uszkodzeniami spowodowanymi nagromadzeniem minerałów lub zamarzaniem należy zastosować środek PumpSaver w celu ochrony przed skutkami zamarzania oraz nasmarowania tłoków i uszczelnień.

**UWAGA** Niezabezpieczenie urządzenia przed zamarzaniem spowoduje uszkodzenie pompy w sposób uniemożliwiający korzystanie z urządzenia. Uszkodzenia spowodowane zamarzaniem nie są objęte gwarancją.

## Inne wskazówki dotyczące przechowywania

- Owinąć przewód wysokociśnieniowy o górny zaczepek półki na akcesoria.
- Owinąć przewód zasilania o dolny zaczepek półki na akcesoria.
- Umieścić pistolet rozpylający, przedłużenie dyszy oraz dyszę 7 w 1 na półce na akcesoria
- Przykryć urządzenie materiałem niezatrzymującym wilgoci i przechowywać w czystym, suchym miejscu chroniącym przed zamarzaniem.

# Rozwiązywanie problemów

Problem	Przyczyna	Rozwiązanie
<b>Występują następujące problemy z pompą: nie wytwarza ciśnienia, nieprawidłowe ciśnienie, drgania, spadek ciśnienia, mała ilość wody.</b>	<ol style="list-style-type: none"> <li>1. Wlot wody jest zablokowany.</li> <li>2. Niewystarczające doprowadzanie wody.</li> <li>3. Wąż ogrodowy jest zagięty lub nieszczelny.</li> <li>4. Zatkany filtr wlotowy wody.</li> <li>5. Końcówka rozpylająca jest zatkana.</li> </ol>	<ol style="list-style-type: none"> <li>1. Wyczyścić wlot.</li> <li>2. Zapewnić odpowiedni przepływ wody.</li> <li>3. Wyprostować wąż ogrodowy lub wymienić go, jeśli przecieka.</li> <li>4. Wyczyścić lub wymienić filtr wlotowy wody.</li> <li>5. Wyczyścić końcówkę rozpylającą.</li> </ol>
<b>Urządzenie nie pracuje po naciśnięciu spustu pistoletu rozpylającego.</b>	<ol style="list-style-type: none"> <li>1. Doprowadzanie wody nie jest włączone.</li> <li>2. Urządzenie nie jest włączone.</li> <li>3. Wąż ogrodowy jest zbyt długi.</li> <li>4. Przepalony bezpiecznik lub aktywowany wyłącznik automatyczny.</li> </ol>	<ol style="list-style-type: none"> <li>1. Włączyć doprowadzanie wody.</li> <li>2. Ustawić główny wyłącznik w pozycji ON (WŁ.) (I). Wyzerować przenośny wyłącznik różnicowo-prądowy.</li> <li>3. Stosować wąż ogrodowy nie dłuższy niż 15,24 m (50 stóp).</li> <li>4. a.) Wymienić bezpiecznik lub wyzerować wyłącznik automatyczny.</li> <li>5. b.) Odłączyć inne urządzenia elektryczne i wyłączyć oświetlenie w obwodzie lub pracować w specjalnym obwodzie. c.) Pozostawić urządzenie włączone na 5 minut z końcówką rozpylającą turbo.</li> </ol>
<b>Detergent nie miesza się z rozpylanym płynem.</b>	<ol style="list-style-type: none"> <li>1. Zamontowano wysokociśnieniową dyszę.</li> <li>2. Ciśnienie doprowadzanej wody jest zbyt wysokie.</li> </ol>	<ol style="list-style-type: none"> <li>1. Zamontować dyszę rozpylającą.</li> <li>2. Powoli zamykać zawór doprowadzania wody, aż do wciągnięcia środka chemicznego.</li> </ol>
<b>Nieszczelne połączenia węża.</b>	<ol style="list-style-type: none"> <li>1. Wąż ogrodowy jest luźno założony na wlot wody.</li> <li>2. Luźne połączenia przewodu wysokociśnieniowego.</li> <li>3. Uszkodzony o-ring.¶</li> </ol>	<ol style="list-style-type: none"> <li>1. Ręcznie dokręcić wąż ogrodowy.</li> <li>2. Wymienić i ponownie zamontować wąż.</li> <li>3. Wymienić o-ring.</li> </ol>

We wszystkich innych Westiach kontaktować się z autoryzowanym dystrybutorem firmy Briggs & Stratton.

Dane techniczne		
Dopuszczalne ciśnienie	MPa/BAR/PSI	16,0/160/2,320*
Maks. przepływ	l/min/gal./min	15,0/4,0*
Znamionowe ciśnienie i przepływ	MPa/BAR/PSI przy l/min/gal./min	12/120/1,740 przy 5,5/1,45
Temperatura doprowadzanej wody	°C/°F	38/100
Napięcie znamionowe	V	220-240
Częstotliwość znamionowa	Hz	50/60
Zużycie energii	W	2,500
Natężenie	A	9,0
Klasa ochrony	Klasa	Klasa II
Poziom ochrony	IP xx	IPX5
Wibracje dłoń-ręka $a_{hd}$ Niepewność K	$m/s^2$ $m/s^2$	$\leq 2,5^*$ $0,2^*$
Poziom ciśnienia akustycznego $L_{pA}$ Niepewność $K_{pA}$	$dB(A)$ $dB(A)$	$74^*$ $2^*$
Poziom mocy akustycznej $L_{WA}$	$dB(A)$	$94^*$
Gwarantowany poziom mocy akustycznej $L_{WA,d}$	$dB(A)$	$96^*$

\* Zgodnie z normą EN 60335-2-79: 2012.

# Deklaracja zgodności WE

## Lavorwash spa

Via J.F.Kennedy, 12 – 46020 Pegognaga (MN) – Włochy

Niniejsza deklaracja zgodności została wydana na wyłączną odpowiedzialność producenta. Oświadcza się, że produkty wymienione w niniejszym dokumencie są zgodne z odnośnym unijnym prawodawstwem harmonizacyjnym oraz oznakowane są znakiem CE. Niniejsze modele spełniają wymogi następujących dyrektyw i odnośnych norm.

**Produkt:** Myjka ciśnieniowa

**Model – Typ:** BPW1800PX

### Dyrektywy UE

2006/42/EC (+2009/127/EC)

2006/95/EC

2004/108/EC

2000/14/EC (+2005/88/EC)

2011/65/EU (+2015/863/EU)

2014/35/EU ≥ 2016-04-20

2014/30/EU ≥ 2016-04-20

### Normy

EN 60335-1:2012

EN 60335-2-79:2012

EN 62233:2008

EN 55014-1:2006+A1:2009+A2:2011

EN 55014-2:1997+A1:2001+A2:2008

EN 61000-3-2:2006+A1:2009+A2:2009

EN 61000-3-3:2013

EN 50581:2012

### Poziom mocy akustycznej

Zmierzony dB(A): **94**

Gwarantowany dB(A): **96**

2000/14/EC: Urządzenie definiuje punkt 27 Załącznika I. Procedura oceny zgodności według treści Załącznika V.



Dokumentacja techniczna jest przechowywana w siedzibie Lavorwash spa, via J.F.Kennedy, 12 - 46020 Pegognaga (MN) – Włochy.

Lavorwash S.p.A

via J.F.Kennedy, 12

46020 Pegognaga

(MN) - Pegognaga, Włochy, 15 października 2015 r.

Giancarlo Lanfredi

Dyrektor generalny

**OGRANICZONA GWARANCJA**

Firma Briggs & Stratton gwarantuje, że w określonym poniżej okresie obowiązywania gwarancji dokona nieodpłatnej naprawy lub wymiany dowolnej części, w której wystąpią wady materiałowe lub produkcyjne bądź oba rodzaje wad. Koszty transportu produktu dostarczonego do naprawy lub wymiany w ramach niniejszej gwarancji ponosi nabywca. Gwarancja pozostaje w mocy przez podane poniżej okresy i podlega określonym poniżej warunkom. Obsługę serwisową należy wykonywać w autoryzowanym punkcie serwisowym, który można znaleźć w witrynie internetowej BRIGGSandSTRATTON.COM. Nabywca musi skontaktować się z autoryzowanym punktem serwisowym, a następnie udostępnić mu produkt w celu przeprowadzenia oględzin i testów.

**Nie udzielamy żadnej innej gwarancji. Gwarancje dorozumiane, łącznie z gwarancjami przydatności handlowej i przydatności do określonego celu, obowiązują jedynie w podanym poniżej okresie gwarancyjnym lub w zakresie dopuszczalnym przez prawo. Odpowiedzialność za szkody uboczne lub wynikowe podlega wyłączeniu w zakresie dopuszczalnym przez prawo.** Niektóre stany lub kraje nie zezwalają na ograniczenia okresu obowiązywania gwarancji dorozumianej, a ponadto w niektórych stanach lub krajach nie zezwala się na wyłączenie lub ograniczenie odpowiedzialności za szkody uboczne lub wynikowe, w związku z czym powyższe ograniczenia i wyłączenia mogą nie dotyczyć niektórych nabywców. Niniejsza gwarancja daje użytkownikowi określone prawa. Użytkownik może mieć również inne prawa, które są odmienne w każdym stanie lub kraju.\*\*

**OKRES GWARANCYJNY**

Zastosowanie konsumenckie	Zastosowanie komercyjne
12 miesięcy	Brak

\*\* W Australii nasze produkty są objęte gwarancjami, których, zgodnie z australijskim prawem konsumenckim, nie można wyłączyć. W przypadku poważnej awarii nabywca ma prawo do wymiany urządzenia na nowe lub do zwrotu pieniędzy w przypadku innych szkód lub strat, które można w uzasadniony sposób przewidzieć. Nabywca ma również prawo do naprawy lub wymiany produktu, jeśli jego jakość jest nie do przyjęcia, natomiast awaria nie kwalifikuje się jako poważna. Gwarancyjną obsługę serwisową należy wykonywać w autoryzowanym serwisie, którego dane adresowe można znaleźć na mapie lokalizatora dystrybutorów dostępnej pod adresem BRIGGSandSTRATTON.COM, dzwoniąc pod numer 1300 274 447, przesyłając wiadomość pocztą elektroniczną na adres salesenquires@briggsandstratton.com.au lub pisząc na adres Briggs & Stratton Australia Pty Ltd, 1 Moorebank Avenue, NSW, Australia, 2170.

Okres obowiązywania gwarancji liczony jest od daty zakupu dokonanego przez pierwszego nabywcę detalicznego lub komercyjnego. Określenie „zastosowanie konsumenckie” oznacza użytkowanie we własnym gospodarstwie domowym przez konsumenta detalicznego. Określenie „zastosowanie komercyjne” odnosi się do wszystkich innych sposobów użytkowania, w tym do celów komercyjnych, zarobkowych i pod wynajem. Wykorzystanie produktu do celów komercyjnych powoduje, że na potrzeby niniejszej gwarancji będzie on uważany za produkt o zastosowaniu komercyjnym.

Aby zapewnić sobie bezwzględne korzystanie z pełnego zakresu usług gwarancyjnych, należy zarejestrować posiadany produkt w witrynie, której adres podano wyżej, pod adresem [www.onlineproductregistration.com](http://www.onlineproductregistration.com) lub przesłać wypełnioną kartę rejestracyjną (jeśli została dostarczona) bądź zadzwonić pod numer 1-800-743-4115 (w USA).

Zachować dowód zakupu. Jeśli w chwili zgłoszenia zapotrzebowania na gwarancyjną obsługę serwisową nabywca nie dostarczy dowodu zakupu potwierdzającego datę pierwotnego zakupu, do ustalenia okresu gwarancyjnego zostanie użyta data produkcji wyrobu. Rejestracja produktu nie jest wymagana w celu uzyskania gwarancyjnej obsługi serwisowej dotyczącej produktów firmy Briggs & Stratton.

**INFORMACJA O GWARANCJI**

Obsługę gwarancyjną zapewniają wyłącznie autoryzowane serwisy firmy Briggs & Stratton. Większość napraw gwarancyjnych jest realizowana rutynowo, jednak czasem zgłoszenie zapotrzebowania na gwarancyjną usługę serwisową może być nieuzasadnione. Niniejsza gwarancja obejmuje wyłącznie wady materiałowe lub produkcyjne. Gwarancja nie obejmuje uszkodzeń spowodowanych niewłaściwym lub niezgodnym z przeznaczeniem użytkowaniem, niewłaściwym przeprowadzaniem konserwacji lub napraw, normalnym zużyciem eksploatacyjnym lub używaniem przeterminowanego lub nieodpowiedniego paliwa.

**Niewłaściwe użytkowanie lub użytkowanie niezgodne z przeznaczeniem** – w instrukcji obsługi podano właściwy sposób użytkowania urządzenia. Użytkowanie produktu w sposób inny niż opisany w instrukcji obsługi lub użytkowanie produktu uszkodzonego powoduje unieważnienie gwarancji. Gwarancja zostanie również unieważniona w przypadku usunięcia umieszczonego na produkcie numeru seryjnego lub jeśli produkt zostanie w jakikolwiek sposób przerobiony bądź zmodyfikowany, a także jeśli produkt nosi ślady uszkodzenia powstałego w wyniku uderzenia lub ślady korozji spowodowanej działaniem wody lub substancji chemicznych.

**Niewłaściwa konserwacja lub naprawa** – prace konserwacyjne muszą być wykonywane zgodnie z procedurami i harmonogramami podanymi w instrukcji obsługi, a obsługa serwisowa i naprawy muszą być wykonywane z wykorzystaniem oryginalnych części firmy Briggs & Stratton lub części ich zatwierdzonych zamienników. Gwarancja nie obejmuje uszkodzeń powstałych w wyniku braku konserwacji lub używania nieoryginalnych części.

**Normalne zużycie** - podobnie jak wszystkie urządzenia mechaniczne, ten sprzęt podlega zużyciu nawet przy właściwej konserwacji. W przypadku normalnego zużycia się części lub urządzenia naprawa nie jest objęta gwarancją. Gwarancja nie obejmuje elementów podlegających wyeksploatowaniu i zużyciu, takich jak filtry, paski, ostrza tnące i klocki hamulcowe (z wyjątkiem klocków hamulcowych silnika), jeśli ulegną one wyłącznie naturalnemu zużyciu, a przyczyną zużycia nie są wady materiałowe lub wady produkcyjne.

**Zwierzane lub niezatwierdzone paliwo** - prawidłowe działanie tego urządzenia wymaga stosowania świeżego paliwa spełniającego kryteria wyszczególnione w instrukcji obsługi. Uszkodzenia silnika lub urządzenia spowodowane używaniem przeterminowanych lub niezatwierdzonych paliw (np. mieszanek etanolu E15 lub E85) nie są objęte gwarancją.

**Pozostałe wyłączenia** - niniejsza gwarancja nie obejmuje uszkodzeń powstałych wskutek wypadku, nieprawidłowego użytkowania, modyfikacji, przeróbek, niewłaściwej konserwacji, zamarznięcia lub zniszczenia chemicznego. Gwarancją nie są również objęte elementy lub akcesoria, które nie znajdowały się w oryginalnym opakowaniu produktu. Gwarancją nie są również objęte urządzenia używane jako główne źródło zasilania zamiast zasilania sieciowego ani sprzęt do podtrzymywania życia. Niniejsza gwarancja nie obejmuje używanego, regenerowanego lub demonstracyjnego sprzętu bądź silników ani takich elementów pochodzących z rynku wtórnego. Niniejsza gwarancja nie obejmuje również awarii będących wynikiem zdarzeń losowych i działania sił wyższych niezależnych od producenta.

# Índice

Símbolos de controle e segurança	4
Descrição do equipamento	4
Montagem	5
Recursos e controles	5
Operação	5
Manutenção	7
Armazenamento	7
Solução de problemas	8
Especificações	8
Garantia	10

## Símbolos de controle e segurança

Um símbolo de segurança poderá ser utilizado para representar o tipo de perigo. **ATENÇÃO** indica um perigo que, se não evitado, poderá resultar em morte ou ferimentos graves. **AVISO** trata de práticas não relacionadas com ferimentos pessoais.



Ler manual



Choque elétrico



Cheio



Símbolo de aviso de segurança



Injeção de líquidos



Água não potável



Objetos lançados no ar



Peças Móveis



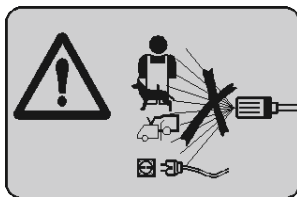
ON



OFF



Incêndio



Nunca aponte o pulverizador na sua direção nem para outras pessoas ou animais. Nunca pulverize perto de fontes de energia ou da própria unidade.

**pt** Esta máquina não se destina a uso por pessoas (incluindo crianças) com capacidades físicas, sensoriais ou mentais reduzidas ou com falta de experiência e conhecimentos a menos que supervisionadas e tenham recebido instruções em relação à operação segura e entendimento dos perigos envolvidos.

### ATENÇÃO

- Esta máquina foi concebida para ser usada com o agente de limpeza fornecido ou recomendado pelo fabricante. O uso de outros agentes de limpeza ou produtos químicos poderá afetar adversamente a segurança da máquina.
- Jatos de alta pressão podem ser perigosos se não forem usados da forma certa. O jato não deve ser direcionado para pessoas, equipamento elétrico em funcionamento nem para a própria máquina.

- Não use a máquina perto de pessoas, a menos que estejam usando vestuário de proteção.
- Não direcione o jato contra você mesmo ou outras pessoas para limpar vestuário ou calçado.
- Risco de explosão - não pulverizar líquidos inflamáveis.
- Os agentes de limpeza de alta pressão não devem ser usados por crianças nem por pessoal sem treinamento.
- As mangueiras de alta pressão, encaixes e acoplamentos são importantes para a segurança da máquina. Use somente mangueiras, encaixes e acoplamentos recomendados pelo fabricante.
- Para garantir a segurança da máquina, use peças sobresselentes originais do fabricante ou aprovadas pelo fabricante.
- Água que passou por uma proteção contra refluxo não é considerada potável.
- Retire a ficha da tomada para desconectar a alimentação durante a limpeza ou manutenção ou ao substituir peças.
- Não use a máquina se o cabo ou partes importantes da máquina estiverem danificados, p. ex., dispositivos de segurança, mangueiras de alta pressão, pistola de disparo.
- Não use um cabo de extensão com esta arruela de pressão elétrica.
- Sempre desligue o interruptor principal quando a máquina não estiver sendo supervisionada.

## Descrição do equipamento



Leia atentamente este manual e se familiarize com a lavadora de pressão. Conheça as suas aplicações, as suas limitações e os riscos envolvidos. Guarde estas instruções originais para referência futura.

A lavadora de alta pressão elétrica opera a um máximo de 12,0 MPa (120 BAR ou 1.740 PSI (libras por polegada quadrada)) a uma taxa de fluxo de até 15,00 LPM (litros por minuto)(4,0 GPM (galões por minuto)).

Foram exercidos todos os esforços para garantir que as informações deste manual sejam precisas e atuais. Entretanto, nos reservamos o direito de mudar, alterar ou melhorar o produto e este documento a qualquer momento sem aviso prévio.

**IMPORTANTE** Se tiver dúvidas sobre o uso adequado, consulte o revendedor ou entre em contato com um centro de serviço qualificado. NUNCA opere unidades com peças ausentes ou defeituosas, e nem sem as tampas ou os compartimentos de proteção. NÃO faça desvios dos dispositivos de segurança desta máquina. NÃO modifique a arruela de pressão de forma alguma. Este equipamento foi projetado para ser usado **SOAMENTE** com peças autorizadas da Briggs & Stratton.

### Tecnologia POWERflow+

Tecnologia POWERflow+ da Briggs & Stratton é um sistema de componentes que trabalham juntos para proporcionar uma capacidade de elevado fluxo. A força por detrás POWERflow+ está na bomba com dois modos de limpeza separados: alta pressão e elevado fluxo, que melhora a limpeza ao proporcionar um maior alcance, a capacidade de usar sabão em pó e enxágue mais rápido.

### Proteção do disjuntor diferencial portátil

A lavadora de pressão é fornecida com um disjuntor diferencial portátil (PRCD) integrado à tomada do cabo de alimentação. Esse dispositivo fornece proteção adicional contra o risco de choques elétricos. O PRCD fornece proteção de 10 mA.

## Desligamento automático

Um sensor desligará o motor quando o gatilho do pulverizador for liberado ou travado. Se o motor continuar em operação com o gatilho do pulverizador liberado ou travado, **NÃO USE A MÁQUINA**. Contate um agente de serviço autorizado da Briggs & Stratton.

**AVISO** O interruptor liga/desliga deve estar sempre na posição de desligado (0) quando a lavadora de pressão não estiver em uso.

## Sobrecarga do motor

Um dispositivo de proteção contra sobrecarga desliga o motor automaticamente se ele sobreaquecer ou apresentar uso excessivo de corrente. Se o dispositivo for acionado, desconecte a alimentação pressionando o interruptor liga/desliga mestre para a posição de desligado (0). Deixe a unidade esfriar por 30 minutos e pressione o interruptor liga/desliga para a posição de ligado (I).

## Descarte da UE



Este símbolo indica que o proprietário de baterias e equipamentos elétricos ou eletrônicos não deve descartar o produto no serviço de coleta municipal não classificado. Esse produto deve ser descartado em locais de descarte ambientalmente adequados. Entre em contato com a Briggs & Stratton ou com seu revendedor local para obter informações adicionais sobre o descarte.

## Montagem

### Conecte os tubos de suporte e o manípulo

#### Figura 1 2

1. Deslize os suportes (1,A) nas entradas. Alinhe e prenda com parafusos (1,B). Mantenha o alinhamento enquanto aperta.
2. Coloque o manípulo (2,A) nos suportes e alinhe os orifícios.
3. Insira os parafusos de carroçaria (2,B) através de orifícios na parte interior da unidade, fixe com botões de plástico (2,C) e aperte.

## Recursos e controles Figura 3

A	Pulverizador	G	Cabo de alimentação com PRCD
B	Bocal 7 em 1	H	Etiqueta de identificação
C	Base	J	Entrada do abastecimento de água
D	Depósito para detergente	K	Mangueira de alta pressão
E	Interruptor liga/desliga mestre	L	Extensão de bico
F	Mangueira de alta pressão		

## Operação

### Ligue a mangueira e o abastecimento de água

#### Figura 3 4 6

**IMPORTANTE** Use APENAS água fria (menos de 38 °C (100 °F)).

1. Aparafuse a mangueira de alta pressão (3,F) na pistola (3,A).
2. Conecte a mangueira de alta pressão azul (3,F) à tomada (3,K) e aperte.
3. Confirme se a tela de entrada de água e a arruela preta de borracha estão instaladas na conexão de entrada de água (4,A).
4. Conecte a conexão de entrada de água (4,B) à entrada e aperte.

**AVISO** Para melhor desempenho, conecte SOMENTE uma fonte de água capaz de fornecer mais de 5 GPM (18,9 l) e 25-75 psi (1,72-5,17 bar) na extremidade da mangueira de jardim da lavadora elétrica de alta pressão.

5. Passe água pela mangueira de jardim para limpar os resíduos.

**IMPORTANTE** Usar uma proteção contra refluxo na entrada da bomba pode danificar a bomba. DEVE haver pelo menos 3 m (10 pés) de mangueira de jardim não limitada entre a entrada da lavadora de pressão e a proteção contra refluxo.



**ATENÇÃO!** A água que passou por uma proteção contra refluxo não é considerada potável.

6. Conecte a mangueira de jardim (4,C) (não exceda os 15 m (50 pés)) à entrada de água (4,B) e aperte.
7. Ligue a água, aponte a pistola para uma direção segura e pressione o botão da trava do gatilho (5,A), em seguida, aperte o gatilho para limpar o ar do sistema.
8. Conecte a extensão do bocal (3,L) ao pulverizador (3,A). Aperte com a mão.
9. Puxe para trás o anel da extensão do bocal (7,A), insira o bocal 7 em 1 (7,B) e solte o anel. Puxe o bico para se certificar de que ele esteja firmemente preso em sua posição. Consulte *Bocal 7 em 1*.

### Iniciar a lavadora de pressão Figura 3 9



**ATENÇÃO!** O jato de spray sofrer um rebote ou impelir objetos, o que pode causar ferimentos graves. Use sempre óculos de segurança ventilados indiretamente (salpicos químicos) marcados como estando em conformidade com a norma ANSI Z87.1 ao usar o equipamento ou quando estiver próximo dele.

1. Pressione o interruptor liga/desliga (3,E) mestre para a posição de desligado (0).



**ATENÇÃO!** Risco de eletrocussão. Contato com a fonte de energia pode causar choques elétricos ou queimaduras que podem causar a morte ou ferimentos graves. NÃO use cabos de extensão com a lavadora elétrica de alta pressão. O receptáculo de circuito elétrico da sua residência ou o cabo de extensão podem não fornecer proteção do disjuntor diferencial portátil para salvar sua vida.

2. Conecte o cabo de alimentação (3,G) a um circuito elétrico dedicado classificado para 220 - 240 volts CA a 10 A, o qual deve estar corretamente instalado conforme todos os códigos e regulamentações locais. O circuito não deve alimentar quaisquer outras necessidades elétricas.
3. Pressione o botão RESET (8,C). A luz do indicador (8,B) deve acender.

**AVISO** A luz do indicador deve estar acesa para que a lavadora elétrica de alta pressão seja operada.

4. Pressione o botão TEST (8,A). A luz do indicador (8,B) deve estar apagada.
5. Pressione o botão RESET (8,C). A luz do indicador (8,B) deve acender.



**ATENÇÃO!** Risco de eletrocussão. O não funcionamento do PRCD pode resultar em morte ou em lesões corporais. Se a luz do indicador não ficar acesa após o teste e redefinição, não use o PRCD.

6. Empurre o interruptor liga/desliga para a posição ligada (I).
7. Aponte a pistola para uma direção segura, pressione o botão da trava do gatilho e aperte o gatilho.

O motor entrará em funcionamento e parará quando o gatilho do pulverizador for pressionado e liberado.

## Bocal 7 em 1 Figura 11

O bocal 7 em 1 permite-lhe alternar entre sete diferentes bocais de padrão de pulverização. Solte o gatilho do pulverizador para engatar a trava de segurança antes de alterar os padrões de pulverização.

1. Selecione o padrão de pulverização desejado:
  - Selecione a configuração do bocal Máxima de 0° (A) para superfícies de difícil acesso como superfícies no segundo andar, remoção de tinta, manchas de óleo, remoção de ferrugem ou outras substâncias difíceis de remover (alcatrão, chiclete, graxa, cera etc.).
  - Selecione a configuração do bocal Geral 15° (B) para tarefas de limpeza mais difíceis. Ideal para remover gordura e sujeira de superfícies difíceis. Também capaz de remover tinta quando colocado em um ângulo de 45°.
  - Selecione a configuração do bocal Delicada 40° (C) para limpeza delicada de automóveis/caminhões, barcos, trailers, móveis de jardim, equipamentos de jardinagem etc.
  - Selecione a configuração do bocal Jato em leque (D) para uma limpeza de elevado fluxo ideal de sujeira e resíduos leves.
  - Selecione a configuração do bocal Jato em leque com sabão (F) para limpeza de superfícies delicadas de automóveis, caminhões, equipamento de playground, móveis de jardim etc.
  - Selecione a configuração do bocal Alcance alargado (G) para uma limpeza rápida de fluxo elevado e limpeza de longo alcance de tapumes e janelas no segundo andar.
  - Selecione a configuração do bocal Alcance alargado com sabão (H) para impulsionar sabão para tapumes e janelas no segundo andar.
2. Rode o botão até o padrão de pulverização desejado ficar alinhado com a seta no bocal 7 em 1.

### Dicas de uso

- Para uma limpeza mais efetiva, mantenha o bico a 20 a 61 cm (8 a 24 pol) de distância da superfície a ser limpa.
- Caso coloque o bico muito perto, especialmente usando um bico de alta pressão, você pode danificar a superfície que está sendo limpa.
- NÃO aproxime mais que 15 cm (6 pol) ao limpar pneus.

### Aplicação de detergente Figura 3



**ATENÇÃO!** Os produtos químicos podem causar queimaduras, resultando em morte ou ferimentos graves. NÃO use líquidos cáusticos com a lavadora de pressão. Use SOMENTE detergentes/sabões seguros para a lavadora de pressão. Siga as instruções do fabricante.

#### Para aplicar detergente, siga estas etapas:

1. Remova a tampa do depósito de detergente (D) e encha com a solução detergente. Substitua a tampa.
2. Verifique se os bicos do padrão de pulverização com sabão estão selecionados no bocal 7 em 1.

**AVISO** Não pode ser aplicado detergente com uma configuração do bocal que não implique sabão (máximo, geral, delicado, jato em leque ou alcance alargado).

3. Aplique detergente em uma superfície seca, começando com a menor porção da área a ser lavada e trabalhando para cima, com movimentos longos, uniformes e sobrepostos.
4. Deixe o detergente “ensopar” de acordo com as instruções do fabricante antes de lavar e enxaguar

## Enxágue da lavadora de pressão

1. Selecione o bico de alta pressão desejado.



**ATENÇÃO!** O rebote do pulverizador pode provocar uma queda, resultando em morte ou ferimentos graves. Opere a lavadora de pressão a partir de uma superfície estável. Tenha muito cuidado caso tenha que usar a lavadora de pressão a partir de uma escada, andaime ou qualquer outro local semelhante. Pegue firmemente no pulverizador com as duas mãos ao usar a pistola de alta pressão para evitar lesões durante o rebote do pulverizador.

2. Aplique um borrifo de alta pressão em uma área pequena e verifique se existem danos na superfície. Caso não se verifiquem danos, continue o enxágue.
3. Comece na parte superior da área a ser limpa, trabalhando para baixo com os mesmos movimentos sobrepostos que usou para a lavagem.

### Parar a lavadora de pressão Figura 3

1. Solte o gatilho do pulverizador.
2. Pressione o interruptor liga/desliga (E) mestre para a posição de desligado (0).

**AVISO** Soltar o gatilho desligará o motor, mas não desligará a energia elétrica da unidade.

3. Desligue o abastecimento de água.
4. SEMPRE Aponte a pistola para uma direção segura, pressione o botão da trava do gatilho e aperte o gatilho para liberar a pressão acumulada na unidade.



**ATENÇÃO!** A alta pressão do jato de água que o equipamento produz pode cortar a pele e os tecidos, provocando ferimentos graves e possíveis amputações. Mantenha a mangueira de alta pressão conectada à bomba e ao pulverizador enquanto o sistema é pressurizado. NÃO permita que CRIANÇAS operem a lavadora de pressão. SEMPRE aponte o pulverizador em uma direção segura, pressione o botão vermelho e aperte o gatilho para liberar a alta pressão sempre que desligar a lavadora de alta pressão.

5. Desconecte o plugue PRCD (G) da tomada e enrole o cabo de alimentação no ganho inferior da bandeja de acessórios.
6. Enrole a mangueira de alta pressão no ganho superior da bandeja de acessórios.
7. Guarde o bico de alta pressão vermelho na extremidade da extensão do bocal. Guarde o pulverizador, a extensão do bocal e o bocal 7 em 1 na bandeja de acessórios.

### Após cada uso

Não deve permanecer água na unidade por longos períodos de tempo. Podem ser depositados sedimentos ou minerais nas peças da bomba, impossibilitando a ação da mesma. Siga estes procedimentos após cada uso:

1. Opere a lavadora de alta pressão com o bico de pulverização com sabão até que o reservatório esteja vazio.
2. Adicione 0,5 litro de água ao reservatório para detergente e opere com o bico de pulverização com sabão. Lave por um ou dois minutos.
3. Pressione o interruptor liga/desliga mestre para a posição de desligado (0). Remova o plugue do cabo de alimentação da tomada elétrica.
4. Desligue o abastecimento de água. Aponte a pistola para uma direção segura, pressione o botão da trava do gatilho e aperte o gatilho para liberar a pressão presa.

5. Desconecte a mangueira de jardim da entrada de água. Desconecte a mangueira de alta pressão da pistola e da tomada de alta pressão.
6. Drene a água da mangueira e do pulverizador e limpe as superfícies externas.
7. Drene a água da bomba, inclinando a unidade para o lado direito (entrada de água voltada para baixo) por dois minutos. Vire a unidade e deixe descansar na tomada de alta pressão por mais dois minutos.
8. Enrole a mangueira de alta pressão no ganho superior da bandeja de acessórios.
9. Enrole o cabo de alimentação no gancho inferior da bandeja de acessórios. Guarde o pulverizador, a extensão do bocal e o bocal 7 em 1 na bandeja de acessórios.
10. Guarde a unidade em uma área limpa e seca.
11. Se ela for guardada por mais de 30 dias, consulte Armazenamento.

## Manutenção

### Recomendações gerais

A manutenção regular melhorará o desempenho e prolongará a vida útil do equipamento. Consulte qualquer agente de serviço autorizado da Briggs & Stratton para manutenção. NÃO permita que crianças limpem ou sustentem a lavadora de pressão.

A garantia do gerador não cobre itens que tenham sido submetidos a abusos ou negligência do operador. Para receber o valor total da garantia, o operador deve manter a lavadora de pressão conforme indicado neste manual, incluindo o devido armazenamento conforme detalhado na seção *Armazenamento*.



**ATENÇÃO!** Para garantir a segurança da máquina, utilize peças sobresselentes originais do fabricante ou aprovadas pelo fabricante. Se você tiver dúvidas sobre a substituição de componentes da lavadora de alta pressão, visite nosso site: BRIGGSandSTRATTON.COM. Se o cabo estiver danificado, consulte o centro de serviço autorizado da Briggs & Stratton.

### Manutenção do bico

Limpar o bico para corrigir a pressão excessiva da bomba causada por um bico pulverizador obstruído:

1. Pressione o interruptor liga/desliga mestre para a posição de desligado (0). Remova o plugue do cabo de alimentação da tomada elétrica.
2. Remova o bico 7 em 1 da extremidade da extensão de bico.
3. Use um clipe de papel pequeno para retirar corpos estranhos obstruindo ou restringindo o bico.
4. Reinstale o bico 7 em 1 na extensão do bico.

### Manutenção do anel de vedação Figura 10

O uso de um lubrificante (petróleo ou gordura sintética) ajuda a selar os óleos, fornecendo um vedante melhorado. Aplique lubrificante aos anéis de vedação antes de montar a mangueira de alta pressão (A), a mangueira de alta pressão (B), pulverizador (C) e o tubo de plástico (D). Compre um kit de manutenção de óleos contatando um Centro Autorizado Briggs & Stratton. NUNCA repare conexões com vazamento com qualquer vedante. Substitua o óleo ou o vedante.

### Substituição do fusível PRCD Figura 11



**ATENÇÃO!** Para reduzir o risco de incêndio, substitua apenas por um fusível BS 1362 de 13 amperes.

Se estiver equipado com um fusível em PRCD:

1. Localize o fusível no lado do pino da vela PRCD.
2. Usando uma chave de fenda de cabeça plana, remova o conjunto da tampa (A) e fusível. Retire o fusível (B) da tampa. Substitua o fusível por um fusível BS 1362 de 13 amperes.
3. Insira o conjunto da tampa e fusível.

## Armazenamento

Siga as etapas 1-10 de *Após cada uso*.

**AVISO** A água deixada na bomba pode congelar e danificar permanentemente a bomba. Os danos de congelamento não são abrangidos pela garantia.

### Proteção da Bomba

Para proteger a bomba contra danos causados por depósitos minerais ou congelamento, use o PumpSaver para evitar danos de congelamento e lubrificar os pistões e os vedantes.

**AVISO** Se a unidade não for protegida de temperaturas congelantes, a bomba será danificada, deixando a unidade inoperável. Os danos de congelamento não são abrangidos pela garantia.

### Dicas finais de armazenamento

1. Enrole a mangueira de alta pressão no ganho superior da bandeja de acessórios.
2. Enrole o cabo de alimentação no gancho inferior da bandeja de acessórios.
3. Guarde o pulverizador, a extensão do bocal e o bocal 7 em 1 na bandeja de acessórios
4. Cubra a unidade com uma capa de proteção que não retenha umidade e guarde-a em uma área limpa e seca protegida de temperaturas congelantes.

# Solução de problemas

Problema	Causa	Correção
<b>A bomba tem os seguintes problemas: não produz pressão, pressão errática, engasga, perda de pressão, baixo volume de água.</b>	<ol style="list-style-type: none"> <li>1. Entrada de água bloqueada.</li> <li>2. Abastecimento de água inadequado.</li> <li>3. A mangueira de entrada está torcida ou está vazando.</li> <li>4. Tela de entrada de água obstruída.</li> <li>5. O bico pulverizador está obstruído.</li> </ol>	<ol style="list-style-type: none"> <li>1. Desobstrua a entrada.</li> <li>2. Forneça um fluxo de água adequado.</li> <li>3. Estique a mangueira de jardim ou substitua, caso esteja vazando.</li> <li>4. Limpe ou substitua a tela de entrada de água.</li> <li>5. Limpe o bico pulverizador.</li> </ol>
<b>A unidade não inicia quando o gatilho do pulverizador é pressionado.</b>	<ol style="list-style-type: none"> <li>1. O abastecimento de água não está ligado.</li> <li>2. A unidade não está ligada.</li> <li>3. A mangueira de jardim é muito longa.</li> <li>4. Fusível queimado ou disjuntor desarmado.</li> </ol>	<ol style="list-style-type: none"> <li>1. Ligue o abastecimento de água.</li> <li>2. Empurre o interruptor liga/desliga para a posição ligada (I). Rearme o PRCD.</li> <li>3. Use somente mangueiras de jardim com, no máximo, 15,24 m (50 pés).</li> <li>4. a.) Substitua o fusível ou rearme o disjuntor.</li> <li>5. b.) Desconecte outros aparelhos elétricos e desligue as luzes no circuito ou opere em um circuito dedicado. c.) Opere por 5 minutos com a ponta de pulverização turbo.</li> </ol>
<b>O detergente não é misturado na pulverização.</b>	<ol style="list-style-type: none"> <li>1. Bico de alta pressão está instalado.</li> <li>2. Pressão de abastecimento de água de entrada muito alta.</li> </ol>	<ol style="list-style-type: none"> <li>1. Instale a ponta de pulverização do bico.</li> <li>2. Devagar, feche a válvula de abastecimento de água até que o com.posto comece a sair.</li> </ol>
<b>Vazamento nas conexões da mangueira.</b>	<ol style="list-style-type: none"> <li>1. Mangueira de jardim solta na entrada de água.</li> <li>2. Conexões soltas da mangueira de alta pressão.</li> <li>3. Anel de vedação danificado.</li> </ol>	<ol style="list-style-type: none"> <li>1. Com a mão, aperte a mangueira de jardim.</li> <li>2. Remova e reinstale a mangueira.</li> <li>3. Substitua o anel de vedação.</li> </ol>

Para todas as restantes questões, consulte um Centro Autorizado Briggs & Stratton.

## Especificações

Pressão permitida	MPa/BAR/PSI	16,0/160/2,320*
Fluxo máximo	LPM/GPM	15,0/4,0*
Pressão e fluxo classificados	MPa/BAR/PSI a LPM/GPM	12/120/1.740 a 5,5/1,45
Temperatura do abastecimento de água	°C/°F	38/100
Tensão classificada	V	220 - 240
Classificação de Frequência	Hz	50/60
Consumo de combustível	W	2,500
Corrente	A	9,0
Classe de proteção	Classe	Classe II
Grau de proteção	IP xx	IPX5
Mão - vibração do braço $a_{hd}$ K incerto	$m/s^2$ $m/s^2$	$\leq 2,5^*$ $0,2^*$
Nível de pressão sonora $L_{pA}$ Incerteza de $K_{pA}$	$dB(A)$ $dB(A)$	$74^*$ $2^*$
Nível de potência sonora $L_{WA}$	$dB(A)$	$94^*$
Garantido de potência sonora nível $L_{WAd}$	$dB(A)$	$96^*$

\* Conforme EN 60335-2-79: 2012.

# Declaração de conformidade da CE

## Lavorwash spa

Via J. F. Kennedy, 12 – 46020 Pegognaga (MN) – Itália

Esta Declaração de Conformidade é emitida sob exclusiva responsabilidade do fabricante. Ela visa certificar que os produtos listados neste documento estão em conformidade com a legislação de harmonização da União e podem apresentar a marca CE. Esses modelos seguem as seguintes Diretivas e Padrões relacionados.

**Produto:** Limpador de alta pressão

**Modelo - Tipo:** BPW1800PX

### Diretivas da UE

2006/42/EC (+2009/127/EC)

2006/95/EC

2004/108/EC

2000/14/EC (+2005/88/EC)

2011/65/EU (+2015/863/EU)

2014/35/EU ≥ 2016-04-20

2014/30/EU ≥ 2016-04-20

### Padrões

EN 60335-1:2012

EN 60335-2-79:2012

EN 62233:2008

EN 55014-1:2006+A1:2009+A2:2011

EN 55014-2:1997+A1:2001+A2:2008

EN 61000-3-2:2006+A1:2009+A2:2009

EN 61000-3-3:2013

EN 50581:2012

### Nível de potência sonora

Medido, dB(A): **94**

Garantido, dB(A): **96**

2000/14/EC: O aparelho é definido pelo No. 27 do Anexo I. Procedimento de avaliação de conformidade, de acordo com o Anexo V.

O arquivo técnico está armazenado na Lavorwash spa, via J. F. Kennedy, 12 - 46020 Pegognaga (MN) – Itália.

Lavorwash S.p.A  
via J. F. Kennedy, 12  
46020 Pegognaga  
(MN) - Pegognaga, Itália. 15 de outubro de 2015



Giancarlo Lanfredi  
Gerente Geral

**GARANTIA LIMITADA**

A Briggs & Stratton garante que, durante o período de garantia especificado abaixo, será feita a reparação ou substituição gratuita de qualquer peça que esteja com defeito no material ou em virtude do processo de fabrico ou ambos. As despesas de transporte do produto enviado para reparação ou substituição nos termos desta garantia serão da responsabilidade do comprador. Esta garantia é válida de acordo com os prazos e condições estipulados abaixo. Para o serviço de garantia, localize o Centro de Serviço Autorizado mais próximo usando nosso mapa de localização de revendedores em BRIGGSandSTRATTON.COM. O comprador deve contactar o Representante de Serviço Autorizado, e então disponibilizar o produto para o Representante de Serviço Autorizado fazer a inspeção e testes.

**Não existe qualquer outra garantia expressa. As garantias implícitas, inclusive as de comercialização e adequação a um fim específico, estão limitadas ao período de garantia estabelecido abaixo ou até o limite permitido pela lei. A responsabilidade por danos consequenciais ou incidentais sob toda e qualquer garantia está excluída na extensão permitida por lei.** Alguns países ou estados não permitem limitações do tempo de duração de garantias implícitas e outros países ou estados não permitem a exclusão ou limitação de danos consequenciais ou acidentais, portanto a limitação e exclusão acima podem não se aplicar a si. Esta garantia confere-lhe direitos jurídicos específicos e também pode ter outros direitos que variam de estado para estado ou de país para país.\*\*

**PERÍODO DE GARANTIA**

Uso pelo consumidor	Uso Comercial
12 meses	Nenhum

\*\* Na Austrália - Nossos produtos incluem garantias que não podem ser excluídas de acordo com a Lei do Consumidor Australiana. Você tem direito a substituição ou reembolso devido à falha grave e compensação por qualquer outra perda ou dano razoavelmente previsível. Tem também o direito à reparação ou substituição dos produtos se estes não apresentarem qualidade aceitável e se a falha não for uma falha grave. Para manutenção na garantia, encontre o Revendedor Autorizado de Serviços no nosso mapa de localização de revendedores em BRIGGSandSTRATTON.COM, ou pelo telefone 1300 274 447, ou por e-mail para salesenquires@briggsandstratton.com.au, Briggs & Stratton Austrália Pty Ltd, 1 Moorebank Avenue, NSW, Austrália, 2170.

O período de garantia começa na data de compra pelo primeiro cliente retalhista ou comercial. "Utilização pelo consumidor" significa a utilização doméstica residencial pessoal por um cliente retalhista. "Utilização comercial" significa todas as outras utilizações, inclusive a utilização para fins comerciais, de geração de rendimentos ou aluguer. Um produto que experimentou uso comercial passará a ser considerado como de uso comercial para fins desta garantia.

Para garantir a cobertura de garantia imediata e completa, registre o produto no website mostrado acima, em [www.onlineproductregistration.com](http://www.onlineproductregistration.com), envie pelo correio o cartão de registro preenchido (se fornecido) ou telefone para 1-800-743-4115 (nos EUA).

Guarde o recibo de prova de compra. Se você não tiver um comprovante da data de compra inicial quando o serviço de garantia for solicitado, a data de fabricação do produto será usada para determinar o período da garantia. O registro do produto não é necessário para obter o serviço de garantia dos produtos Briggs & Stratton.

**SOBRE A NOSSA GARANTIA**

Não é necessário qualquer registro do produto para obter o serviço de garantia dos produtos Briggs & Stratton. A maior parte das reparações de garantia é tratada de forma rotineira; porém, por vezes, os pedidos de serviço de garantia podem não ser apropriados. Esta garantia cobre apenas defeitos de material ou de fabrico. Ela não cobre danos causados por uso indevido ou abuso, manutenção ou reparo inadequado, uso e desgaste normais, combustível estragado ou não aprovado.

**Utilização indevida e abuso** - A utilização correta e prevista deste produto é descrita no Manual do Operador. Usar o produto de uma forma não descrita no Manual do Operador ou após ter sido danificado invalidará a garantia. A garantia da cobertura também não é permitida se o número de série do produto tiver sido removido, se o produto tiver sido alterado ou modificado de alguma maneira, ou se o produto tiver evidências de abuso, como danos causados por impactos ou danos por corrosão de água/produto químico.

**Manutenção ou reparação inadequada** - Este produto deve ser mantido de acordo com os procedimentos e prazos previstos no Manual do Operador e reparado, ou receber manutenção, com peças legítimas da Briggs & Stratton ou peças equivalentes. Os danos causados por falta de manutenção ou pela utilização de peças não originais não serão cobertos pela garantia.

**Uso e desgaste normais** - Como a maioria dos dispositivos mecânicos, a unidade está sujeita a desgaste, mesmo quando recebe manutenção adequada. Esta garantia não cobre reparos quando o desgaste normal tiver exaurido a vida útil de uma peça ou do equipamento. A manutenção e itens de desgaste, como filtros, correias, lâminas de corte e pastilhas de freio (exceto lonas de freio do motor) não são cobertos pela garantia devido às próprias características do desgaste, a menos que a causa esteja relacionada a defeitos de material ou de fabricação.

**Combustível danificado ou não aprovado** - Para funcionar corretamente, este produto necessita de combustível novo que esteja em conformidade com os critérios especificados no Manual do Operador. Danos no motor ou no equipamento causados por combustível estragado ou o uso de combustíveis não aprovados (como misturas de etanol E15 ou E85) não são cobertos pela garantia.

**Outras exclusões** - Esta garantia exclui danos devido a acidentes, abuso, modificações, alterações, manutenção inadequada, congelamento ou deterioração química. Acessórios que não tenham sido originalmente embalados com o produto também são excluídos. Não há cobertura de garantia para equipamentos usados para alimentação principal, em lugar de energia pública, ou para equipamentos usados em aplicações de suporte à vida. Esta garantia não inclui equipamentos ou motores usados, recondicionados, de segunda mão ou de demonstração. Esta garantia exclui falhas devido a atos de Deus e outros eventos de força maior que fujam ao controle dos fabricantes.

80011060\_PT Rev -

## Cuprins

Simboluri de siguranță și de control	4
Descrierea echipamentului	4
Asamblare	5
Caracteristici și comenzi	5
Operare	5
Întreținere	7
Depozitare	7
Depanare	8
Specificații	8
Garanție	10

## Simboluri de siguranță și de control

Pentru a indica tipul pericolului, în acest manual se utilizează simboluri de siguranță. **ATENȚIE** indică un pericol care, dacă nu este evitat, se poate solda cu moartea sau cu accidentare gravă. **NOTĂ** se referă la practicile care nu sunt asociate cu vătămarea corporală.



Citiți manualul



Electrocutare



Injectie cu fluid



Incendiu



Cădere



Obiecte proiectate  
în aer



Arsuri chimice



Simbol de avertizare  
de siguranță



Pornit



Oprit



Apă nepotabilă



Nu îndreptați niciodată pistolul de pulverizare spre dvs spre alte persoane sau animale. Nu pulverizați niciodată în apropierea unei surse de alimentare electrică sau a unității.

Acest aparat nu este destinat utilizării de către persoane (inclusiv copii) cu capacități fizice, senzoriale sau mentale reduse sau care sunt lipsite de experiență și de cunoștințe în domeniu, cu excepția cazului în care sunt supravegheate și instruite cu privire la operarea în siguranță și înțeleg pericolele la care se expun.

### ATENȚIE

- Acest echipament este conceput pentru a fi utilizat împreună cu agentul de curățare furnizat sau recomandat de către producător. Utilizarea altor agenți chimici sau de curățare poate avea efecte adverse asupra siguranței echipamentului.

- Jeturile de apă de înaltă presiune pot fi periculoase dacă nu sunt utilizate corespunzător. Jetul de apă nu trebuie îndreptat către persoane, echipamente electrice aflate sub tensiune sau către echipamentul de spălare.
- Nu folosiți echipamentul atunci când în apropiere se află alte persoane, decât dacă acestea poartă îmbrăcăminte de protecție.
- Nu îndreptați jetul de apă către dumneavoastră sau către alte persoane cu scopul de a vă curăța hainele sau încălțăminte.
- Risc de explozie - nu pulverizați lichide inflamabile.
- Echipamentele de spălare sub înaltă presiune nu trebuie utilizate de copii sau personal necalificat.
- Furtunurile de înaltă presiune, garniturile și cuplajele sunt importante pentru siguranța echipamentului. Utilizați doar furtunuri, garnituri și cuplaje recomandate de către producător.
- Pentru a garanta siguranța echipamentului, folosiți doar piese de schimb originale de la producător sau aprobate de producător.
- Apa care a curs printr-o clapetă de reținere este considerată nepotabilă.
- Scoateți ștecărul din priză pentru a deconecta alimentarea cu energie electrică în timpul curățării sau întreținerii sau în momentul înlocuirii pieselor.
- Nu folosiți echipamentul în cazul în care cablul de alimentare sau părți importante ale echipamentului sunt deteriorate (de exemplu, dispozitivele de siguranță, furtunurile de înaltă presiune, pistolul).
- Nu folosiți un prelungitor împreună cu acest echipament electric de spălare sub presiune.
- Dacă lăsați echipamentul nesupravegheat, întotdeauna opriți comutatorul principal.

## Descrierea echipamentului



**Citiți cu atenție acest manual și familiarizați-vă cu aparatul de curățat sub presiune. Aflați despre aplicațiile, limitele și pericolele pe care le implică aparatul. Păstrați aceste instrucțiuni originale pentru consultare ulterioară.**

Acest aparat de curățat electric sub presiune funcționează la maximum 12,0 MPa (120 BAR sau 1.740 PSI (livre pe țol pătrat)), la un debit de până la 15,00 LPM (litri pe minut) (4,0 GPM (galoane pe minut)).

Am depus toate eforturile pentru a ne asigura că informațiile din acest manual sunt corecte și actuale. Totuși, ne rezervăm dreptul de a schimba, modifica sau îmbunătăți în orice alt mod produsul și acest document, în orice moment, fără notificare prealabilă.

**NOTĂ** Dacă aveți întrebări despre domeniul de utilizare, adresați-vă agentului sau contactați un centru service calificat. Nu operați NICIODATĂ echipamentele dacă există componente lipsă sau deteriorate, sau dacă acestea nu au carcasa sau capacele de protecție montate. NU ocoliți niciun dispozitiv de siguranță de pe acest aparat. NU modificați în niciun fel aparatul de curățat sub presiune. Acest echipament este destinat **EXCLUSIV** utilizării cu piese autorizate Briggs & Stratton.

## Tehnologia POWERflow+

Tehnologia POWERflow+ de la Briggs & Stratton reprezintă un sistem de componente care conlucrează, pentru a asigura funcția de debit mare. Forța din spatele POWERflow+ constă în pompa cu două moduri separate de curățare: înaltă presiune și debit mare care îmbunătățește curățarea și care asigură o accesibilitate sporită, o săpunire puternic și capacități de clătire mai rapidă.

### Dispozitive diferențiale mobile cu dispozitiv de protecție

Acest aparat de curățat sub presiune este prevăzut cu un dispozitiv diferențial mobil (PRCD) integrat în fișa de conectare a cablului de alimentare. Acest dispozitiv asigură o protecție suplimentară împotriva riscului de electrocutare. Dispozitivul PRCD asigură o protecție de 10 mA.

### Oprire automată

Un senzor oprește motorul atunci când maneta pistolului de pulverizare este decuplată sau blocată. **NU UTILIZAȚI APARATUL** în cazul în care motorul continuă să funcționeze în timp ce maneta pistolului de pulverizare este decuplată sau blocată. Contactați un agent autorizat Briggs & Stratton.

**NOTĂ** Comutatorul ON/OFF (Pornit/Oprit) trebuie să fie întotdeauna în poziția OFF (Oprit) (0) atunci când aparatul de curățat nu este utilizat.

### Supraîncărcarea motorului

Un dispozitiv de protecție la supraîncărcare oprește în mod automat motorul în caz de supraîncălzire sau de consum excesiv de curent. În cazul în care dispozitivul se declanșează, întrerupeți alimentarea prin setarea comutatorului general ON/OFF (Pornit/Oprit) în poziția OFF (Oprit) (0). Lăsați unitatea să se răcească timp de 30 de minute și setați comutatorul ON/OFF (Pornit/Oprit) în poziția ON (Pornit) (I).

### Eliminare conform UE



Acest simbol indică faptul că deținătorul acumulatorilor și a echipamentelor electrice și electronice nu va elimina acest produs împreună cu deșeurile municipale nesortate. Acest produs trebuie eliminat în locații prevăzute pentru deșeurile corespunzătoare din punct de vedere ecologic. Contactați Briggs&Stratton sau comerciantul cu amănuntul local pentru informații suplimentare despre eliminare.informações adicionais sobre o descarte

## Asamblare

### Atașarea tuburilor de susținere și a mânerului Figura 1 2

1. Glisați suporturile (1,A) în locașuri. Aliniați-le și fixați-le cu șuruburi (1,B). Mențineți alinierea în timpul strângerii șuruburilor.
2. Poziționați mânerul (2,A) în suporturi și aliniați găurile.
3. Introduceți șuruburile de blocare (2,B) în găurile din interiorul unității, fixați-le cu butoanele de plastic (2,C) și strângeți-le.

### Caracteristici și comenzi Figura 3

<b>A</b>	Pistol de pulverizare	<b>G</b>	Cablul de alimentare cu PRCD
<b>B</b>	Duză 7 în 1	<b>H</b>	Etichetă de identificare
<b>C</b>	Tavă de accesorii t	<b>J</b>	Orificiu de admisie a apei
<b>D</b>	Rezervor de detergen	<b>K</b>	Orificiu de evacuare de înaltă presiune
<b>E</b>	Comutator general ON/OFF (Pornit/Oprit)	<b>L</b>	Extensie pentru duză
<b>F</b>	Furtun de înaltă presiune		

## Operare

### Conectarea la pompă a furtunului și a alimentării cu apă Figura 3 4 6

**NOTĂ** Utilizați DOAR apă rece (sub 38°C (100°F)).

1. Înșurubați furtunul de înaltă presiune (3,F) în pistol (3, A).
2. Atașați furtunul de înaltă presiune albastru (3,F) la orificiul de evacuare (3,K) și strângeți-l.
3. Confirmați că filtrul de admisie a apei și șaiba de cauciuc neagră sunt montate în racordul de admisie a apei (4,A).
4. Fixați racordul de admisie a apei (4,B) la orificiul de admisie și strângeți-l.

**NOTĂ** Pentru o performanță optimă, conectați DOAR la o sursă de alimentare cu apă capabilă să furnizeze mai mult de 5 GPM (18,9 l) și 25-75 psi (1,72-5,17 bar) la capătul furtunului de grădină al aparatului de curățat electric sub presiune.

5. Lăsați să curgă apă prin furtunul de grădină, pentru a curăța reziduurile.

**NOTĂ** Utilizarea unei clapete de reținere la orificiul de admisie al pompei poate cauza deteriorarea pompei. **TREBUIE** să existe cel puțin 3 m (10 picioare) de furtun de grădină liber între orificiul de admisie al aparatului de curățat sub presiune și clapeta de reținere.



**ATENȚIE!** Apa care a curs printr-o clapetă de reținere este considerată nepotabilă.

6. Conectați furtunul de grădină (4,C) (nu depășiți 15 m (50 ft.)) la orificiul de admisie a apei (4,B) și strângeți-l.
7. **PORNITI** apa, îndreptați pistolul într-o direcție care nu prezintă pericol, apăsați butonul de declanșare de pe pistol (5,A) și acționați maneta pentru a elimina aerul din sistemul.
8. Atașați extensia pentru duză (3,L) la pistolul de pulverizare (3,A). Strângeți manual.
9. Trageți-o înapoi pe colierul extensiei pentru duză (7,A), introduceți duza 7 în 1 (7,B) și eliberați colierul. Trageți bine de capul de pulverizare pentru a vă asigura că este fixat. Consultați *Duza 7 în 1*.

### Pornirea aparatului de curățat sub presiune Figura 3 9



**ATENȚIE!** Pulverizatorul ar putea arunca înapoi sau propulsa obiecte, ceea ce poate cauza leziuni grave. Purtați întotdeauna ochelari de protecție împotriva stropirilor indirecte (stropiri cu substanțe chimice), care să aibă marcare ce atestă respectarea directivei ANSI Z87.1, atunci când utilizați echipamentul sau în apropierea acestuia.

1. Setați comutatorul general ON/OFF (Pornit/Oprit) (3,E) în poziția OFF (Oprit) (0).



**ATENȚIE!** Risc de electrocutare. Utilizarea unui prelungitor poate cauza electrocutare sau arsuri ce pot duce la deces sau la leziuni grave. **NU** utilizați un prelungitor cu acest aparat de curățat electric sub presiune. Este posibil ca priza de curent electric sau prelungitorul din locuința dumneavoastră să nu asigure protecție prin intermediul unui dispozitiv diferențial mobil.

2. Conectați cablul de alimentare (3,G) la o priză electrică dedicată de 220 - 240 volți CA la 10 A care este montată în mod corespunzător, în conformitate cu toate codurile și ordonanțele locale. Priza nu are voie să deservească și alte aparate electrice.
3. Apăsați butonul RESET (Resetare) (8,C). Lampa indicatoare (8,B) trebuie să fie APRINSĂ.

**NOTĂ** Lampa indicatoare trebuie să fie APRINSĂ pentru ca aparatul de curățat electric sub presiune să poată funcționa.

4. Apăsăți butonul TEST (8,A). Lampa indicatoare (8,B) trebuie să fie STINSĂ.
5. Apăsăți butonul RESET (Resetare) (8,C). Lampa indicatoare (8,B) trebuie să fie APRINSĂ.



**ATENȚIE!** Risc de electrocutare. Dispozitivele PRCD nefuncționale pot avea drept rezultat decesul sau leziuni grave. Nu utilizați dispozitivul PRCD în cazul în care lampa indicatoare nu rămâne APRINSĂ după testare și resetare.

6. Setăți comutatorul general ON/OFF (Pornit/Oprit) în poziția ON (Pornit) (I).
7. Îndreptați pistolul într-o direcție care nu prezintă pericol, apăsați butonul de declanșare de pe pistol și acționați maneta.

Motorul pornește și se oprește pe măsură ce maneta pistolului de pulverizare este apăsată și eliberată.

### Duza 7 în 1 Figura 11

Duza 7 în 1 vă permite să comutați între șapte duze cu modele de pulverizare diferite. Eliberați maneta pistolului de pulverizare pentru a cupla lacătul de siguranță înainte de schimbarea modelelor de pulverizare.

1. Selectați modelul de pulverizare dorit:
  - Selectați setarea Maximum 0° (A) a duzei pentru suprafețele persistente sau greu accesibile, cum ar fi suprafețele aflate la etaj, înlăturarea vopselei, petele de ulei, înlăturarea ruginii sau a altor substanțe persistente (gudron, gumă, vaselină, ceară etc.).
  - Selectați setarea General 15° (B) a duzei pentru activitățile de curățare mai dificile. Ideal pentru înlăturarea vaselinei și a murdăriei de pe suprafețele dure. Poate îndepărta și vopseaua, dacă este ținut la un unghi de 45°.
  - Selectați setarea Delicat 40° (C) a duzei pentru curățarea delicată a autovehiculelor/camioanelor, bărcilor, rulotelor, mobilierului de grădină, echipamentelor pentru gazon etc.
  - Selectați setarea Ventilare pulverizare (D) a duzei pentru un debit mare optim, care să îndepărteze impuritățile și reziduurile ușor de înlăturat.
  - Selectați setarea Ventilare pulverizare cu săpun (F) a duzei pentru curățarea suprafețelor delicate ale automobilelor, camioanelor, echipamentelor de joacă pentru copii, mobilierului de grădină etc.
  - Selectați setarea Acces extins (G) a duzei pentru curățarea rapidă la debit mare și pentru curățarea de la distanță a fațadelor și ferestrelor de la etaj.
  - Selectați setarea Acces extins cu săpun (H) a duzei pentru a propulsa săpunul pe fațadele și pe ferestrele de la etaj.
2. Rotiți discul până când modelul de pulverizare dorit se aliniază cu săgeata de pe duza 7 în 1.

### Sfaturi de utilizare

- Pentru o curățare cât mai eficientă, țineți duza la 20–61 cm (8–24 țoli) depărtare de suprafața de curățare.
- Dacă aduceți duza prea aproape, mai ales utilizând o duză de înaltă presiune, este posibil să deteriorați suprafața curățată.
- NU vă apropiați la mai puțin de 15 cm (6 țoli) atunci când curățați anvelope.

### Aplicarea detergentului Figura 3



**ATENȚIE!** Substanțele chimice pot cauza arsuri care pot duce la deces sau leziuni grave. NU utilizați lichide caustice cu aparatul de curățat sub presiune. Folosiți DOAR detergenți/săpunuri sigure pentru aparatul de curățat sub presiune. Respectați instrucțiunile producătorilor.

#### Pentru a adăuga detergent, urmați acești pași:

1. Scoateți capacul de pe rezervorul de detergent (D) și umpleți cu soluția de detergent. Puneți capacul la loc.
2. Asigurați-vă că este selectat unul dintre modelele de pulverizare cu săpun pe duza 7 în 1.

**NOTĂ** Detergentul nu poate fi aplicat cu duzele de înaltă presiune (maximum, general, delicat, ventilare pulverizare sau acces extins).

3. Aplicați detergent pe o suprafață uscată, începând din partea de jos a suprafeței de spălat și lucrați de jos în sus, folosind mișcări lungi, uniforme, suprapuse.
4. Lăsați ca detergentul să se „absoarbă”, în conformitate cu instrucțiunile producătorului detergentului, înainte de a spăla și a clăti.

### Clătirea aparatului de curățat sub presiune

1. Selectați duza de înaltă presiune dorită.



**ATENȚIE!** Retragerea rapidă a pistolului de pulverizare vă poate face să cădeți, iar acest lucru poate duce la deces sau leziuni grave. Utilizați aparatul de curățat sub presiune de pe o suprafață stabilă. Fiți extrem de atent dacă trebuie să utilizați aparatul de curățat sub presiune atunci când vă aflați pe o scară, o schelă sau altă locație similară. Apucați ferm pistolul de pulverizare cu ambele mâini atunci când utilizați o pulverizare la înaltă presiune, pentru a evita rănirea atunci când pistolul de pulverizare se retrage rapid.

2. Aplicați o pulverizare de înaltă presiune pe o zonă mai redusă și verificați suprafața, pentru a vă asigura că nu este deteriorată. Dacă nu este deteriorată, continuați clătirea.
3. Începeți din partea de sus a suprafeței de clătit, operând în jos cu aceleași mișcări suprapuse ca în cazul procesului de curățare.

### Oprirea aparatului de curățat sub presiune Figura 3

1. Eliberați maneta pistolului de pulverizare.
2. Setăți comutatorul general ON/OFF (Pornit/Oprit) (E) în poziția OFF (Oprit) (0).

**NOTĂ** Prin decuplarea manetei veți opri motorul, însă aparatul rămâne sub tensiune.

3. Închideți sursa de alimentare cu apă.
4. Îndreptați ÎNTOTDEAUNA pistolul într-o direcție care nu prezintă pericol, apăsați butonul de declanșare de pe pistol și acționați maneta pentru a evacua presiunea acumulată în unitate.



**ATENȚIE!** Fluxul de apă la înaltă presiune pe care îl generează acest echipament poate tăia pielea și țesuturile ei subiacente, având drept consecință leziuni grave sau chiar amputări. Păstrați furtunul de înaltă presiune conectat la pompă și la pistolul de pulverizare atunci când sistemul este presurizat. NU permiteți COPIILOR să folosească aparatul de curățat sub presiune. Îndreptați ÎNTOTDEAUNA pistolul de pulverizare într-o direcție care nu prezintă pericol și acționați maneta pistolului de pulverizare pentru a elibera presiunea ridicată, de fiecare dată când opriți motorul.

5. Deconectați fișa PRCD (G) de la priză și înfășurați cablul de alimentare pe cârligul inferior al tăvii de accesorii.

6. Înfășurați furtunul de înaltă presiune pe cârligul superior al tăvii de accesorii.
7. Depozitați duza de înaltă presiune de culoare roșie la capătul extensiei pentru duză. Depozitați pistolul de pulverizare, extensia pentru duză și duza 7 în 1 pe tava de accesorii.

## După fiecare utilizare

Nu lăsați apa să rămână în unitate o perioadă de timp îndelungată. În piesele pompei se pot depune sedimente sau minerale care pot bloca acțiunea pompei. Urmați aceste proceduri după fiecare utilizare:

1. Utilizați aparatul de curățat sub presiune cu duza de pulverizare pentru săpun până la golirea rezervorului.
2. Adăugați 0,5 litri de apă în rezervorul cu detergent și operați aparatul cu duza de pulverizare pentru săpun. Clătiți timp de 1-2 minute.
3. Setează comutatorul general ON/OFF (Pornit/Oprit) în poziția OFF (Oprit) (0). Deconectați cablul de alimentare de la priza electrică.
4. Închideți sursa de alimentare cu apă. Îndreptați pistolul într-o direcție care nu prezintă pericol, apăsați butonul de declanșare de pe pistol și acționați maneta pentru a evacua presiunea acumulată.
5. Deconectați furtunul de grădină de la orificiul de admisie a apei. Deconectați furtunul de înaltă presiune de la pistol și de la orificiul de evacuare de înaltă presiune.
6. Evacuați apa din furtun și din pistolul de pulverizare și ștergeți toate suprafețele exterioare.
7. Evacuați apa din pompă prin răsturnarea unității pe partea dreaptă (orificiul de admisie a apei este îndreptat în jos) timp de 2 minute. Răsturnați unitatea și lăsați-o să se sprijine pe orificiul de evacuare de înaltă presiune pentru încă 2 minute.
8. Înfășurați furtunul de înaltă presiune pe cârligul superior al tăvii de accesorii.
9. Înfășurați cablul de alimentare pe cârligul inferior al tăvii de accesorii. Depozitați pistolul de pulverizare, extensia pentru duză și duza 7 în 1 pe tava de accesorii.
10. Depozitați echipamentul într-un loc curat și uscat.
11. Dacă depozitați echipamentul mai mult de 30 de zile, consultați capitolul Depozitare.

## Întreținere

### Recomandări generale

Întreținerea regulată va îmbunătăți performanțele și va prelungi durata de funcționare a aparatului de curățat sub presiune. Apelați la un agent autorizat Briggs & Stratton pentru service. NU permiteți copiilor să curețe sau să întrețină aparatul fără a fi supravegheați.

Garanția aparatului de curățat sub presiune nu acoperă piesele care au fost supuse abuzului sau neglijenței operatorului. Pentru a beneficia de garanție completă, operatorul trebuie să întrețină aparatul de curățat sub presiune în conformitate cu instrucțiunile din acest manual, inclusiv cu o depozitare corespunzătoare, după cum se detaliază în capitolul *Depozitare*.



**ATENȚIE!** Pentru a garanta siguranța aparatului, utilizați doar piese de schimb originale de la producător sau aprobate de producător. Dacă aveți întrebări despre înlocuirea pieselor aparatului de curățat sub presiune, vizitați site-ul nostru: BRIGGSandSTRATTON.COM. În cazul în care cablul de alimentare este deteriorat, consultați un centru de service autorizat Briggs & Stratton.

## Întreținerea duzelor

Curățați capul de pulverizare pentru a corecta presiunea excesivă a pompei, cauzată de înfundarea capului de pulverizare:

1. Setează comutatorul general ON/OFF (Pornit/Oprit) în poziția OFF (Oprit) (0). Deconectați cablul de alimentare de la priza electrică.
2. Scoateți duza 7 în 1 din capătul extensiei duzei.
3. Utilizați o agrafă de birou mică pentru a îndepărta orice material străin care înfundă sau astupă duza.
4. Remontați duza 7 în 1 în extensia pentru duză.

## Întreținerea garniturilor inelare Figura 10

Utilizarea unui lubrifiant (bitum sau vaselină sintetică) ajută la fixarea garniturilor inelare, pentru o etanșare îmbunătățită. Aplicați lubrifiant pe garniturile inelare înainte de atașarea furtunului de grădină (A), furtunul de înaltă presiune (B), pistol de pulverizare (C) și tija din plastic (D). Achiziționați un kit de întreținere a garniturilor inelare, contactând un agent de service autorizat Briggs & Stratton. NU reparați NICIODATĂ racordurile cu scurgeri utilizând materiale de etanșare, indiferent de tipul acestora. Înlocuiți garniturile inelare sau piesele de etanșare.

## Înlocuire siguranță pentru PRCD Figura 11



**AVERTISMENT!** Pentru a reduce riscul de incendiu, înlocuiți doar cu siguranța nominală BS 1362 de 13 amperi.

Dacă este echipat cu siguranță în PRCD:

1. Găsiți siguranța pe partea cu pini a ștecherului PRCD.
2. Folosind o șurubelniță cu cap plat, îndepărtați capacul (A) și ansamblul de siguranțe. Îndepărtați siguranța (B) din capac. Înlocuiți siguranța cu siguranța nominală BS 1362 de 13 amperi.
3. Introduceți capacul și ansamblul de siguranțe.

## Depozitare

Urmați pașii 1-10 din secțiunea *După fiecare utilizare*.

**NOTĂ** Apa rămasă în pompă poate îngheța și deteriora definitiv pompa. Defecțiunile cauzate de îngheț nu sunt acoperite de garanție.

### Protejarea pompei

Pentru a proteja pompa împotriva deteriorărilor cauzate de depozitele de minerale sau de îngheț, utilizați PumpSaver pentru a preveni defecțiunile cauzate de îngheț și utilizați lubrifiant pe pistoane și piese de etanșare.

**NOTĂ** Dacă nu protejați corect unitatea împotriva temperaturilor de îngheț, pompa se va deteriora, iar unitatea va deveni nefuncțională. Defecțiunile cauzate de îngheț nu sunt acoperite de garanție.

### Instrucțiuni finale de depozitare

1. Înfășurați furtunul de înaltă presiune pe cârligul superior al tăvii de accesorii.
2. Înfășurați cablul de alimentare pe cârligul inferior al tăvii de accesorii.
3. Depozitați pistolul de pulverizare, extensia pentru duză și duza 7 în 1 pe tava de accesorii
4. Acoperiți unitatea cu un capac de protecție care nu reține umezeala și depozitați-l într-un spațiu curat și uscat, ferit de temperaturile de îngheț.

## Depanare

Problemă	Cauză	Remediu
<b>Pompa prezintă următoarele probleme: nu poate genera presiune, presiunea este neregulată, se aud zgomote neplăcute, se pierde presiunea, volum redus de apă.</b>	<ol style="list-style-type: none"> <li>1. Orificiul de admisie a apei este blocat.</li> <li>2. Alimentarea cu apă este inadecvată.</li> <li>3. Furtunul de grădină este răsucit sau are scurgeri.</li> <li>4. Filtrul de admisie a apei este înfundat.</li> <li>5. Capul de pulverizare este obstrucționat.</li> </ol>	<ol style="list-style-type: none"> <li>1. Curățați orificiul de admisie.</li> <li>2. Asigurați o alimentare adecvată cu apă.</li> <li>3. Îndreptați furtunul de grădină sau înlocuiți-l dacă prezintă scurgeri.</li> <li>4. Curățați sau înlocuiți filtrul de admisie a apei.</li> <li>5. Curățați capul de pulverizare.</li> </ol>
<b>Unitatea nu pornește la acționarea manetei pistolului de pulverizare.</b>	<ol style="list-style-type: none"> <li>1. Alimentarea cu apă nu este pornită.</li> <li>2. Unitatea nu este pornită.</li> <li>3. Furtunul de grădină este prea lung.</li> <li>4. Siguranță arsă sau disjuncteur declanșat.</li> </ol>	<ol style="list-style-type: none"> <li>1. Porniți sursa de alimentare cu apă.</li> <li>2. Setați comutatorul general ON/OFF (Pornit/Oprit) în poziția ON (Pornit) (I). Resetați PRCD.</li> <li>3. Utilizați doar furtunuri de grădină cu o lungime maximă de 15,24 m (50 ft).</li> <li>4. a.) Înlocuiți siguranța sau resetați disjuncteurul.</li> <li>5. b.) Deconectați alte aparate electrice și închideți indicatorii din circuit sau utilizați un circuit dedicat. c.) Utilizați aparatul cu capul de pulverizare turbo timp de 5 minute.</li> </ol>
<b>Detergentul nu se amestecă bine cu sprayul.</b>	<ol style="list-style-type: none"> <li>1. Este montată duza pentru înaltă presiune.</li> <li>2. Presiunea de alimentare cu apă este prea mare.</li> </ol>	<ol style="list-style-type: none"> <li>1. Montați capul de pulverizare al duzei.</li> <li>2. Închideți încet supapa de alimentare cu apă până la eliminarea substanțelor chimice.</li> </ol>
<b>Racordurile furtunului prezintă scurgeri.</b>	<ol style="list-style-type: none"> <li>1. Furtun de grădină desprins la orificiul de admisie a apei.</li> <li>2. Racordurile furtunului de înaltă presiune nu sunt strânse corespunzător.</li> <li>3. Garnitură inelară deteriorată.¶</li> </ol>	<ol style="list-style-type: none"> <li>1. Strângeți manual furtunul de grădină.</li> <li>2. Scoateți furtunul și remontați-l.</li> <li>3. Înlocuiți garnitura inelară.</li> </ol>

Pentru orice alte probleme, contactați un agent autorizat Briggs & Stratton.

## Specificații

Presiune permisă	MPa/BAR/PSI	16,0/160/2,320*
Debit maxim	LPM/GPM	15,0/4,0*
Presiune și debit nominale	MPa/BAR/PSI la LPM/GPM	12/120/1,740 la 5,5/1,45
Temperatura apei de alimentare	°C/°F	38/100
Tensiune nominală	V	220 - 240
Frecvență nominală	Hz	50/60
Consum de energie	W	2,500
Curent	A	9,0
Clasă de protecție	Clasa	Clasa II
Grad de protecție	IP xx	IPX5
Vibrație braț $a_{hd}$ Incertitudine K	$m/s^2$ $m/s^2$	$\leq 2,5^*$ $0,2^*$
Nivelul presiunii acustice $L_{pA}$ Incertitudine $K_{pA}$	$dB(A)$ $dB(A)$	$74^*$ $2^*$
Nivelul presiunii acustice $L_{WA}$	$dB(A)$	$94^*$
Garantat de sunet nivelul de putere $L_{WAd}$	$dB(A)$	$96^*$

\* Conform EN 60335-2-79: 2012.

# Declarație de conformitate CE

## Lavorwash spa

Via J.F.Kennedy, 12 – 46020 Pegognaga (MN) – Italia

Această Declarație de conformitate este emisă sub responsabilitatea unică a producătorului. Aceasta certifică faptul că produsele enumerate în acest document sunt în conformitate cu legislația armonizată relevantă a Uniunii și pot purta marcajul CE. Aceste modele respectă următoarele Directive și Standarde asociate.

**Produs:** Aparat de spălat cu presiune ridicată

**Tip – model:** BPW1800PX

### Directive UE

2006/42/EC (+2009/127/EC)

2006/95/EC

2004/108/EC

2000/14/EC (+2005/88/EC)

2011/65/EU (+2015/863/EU)

2014/35/EU ≥ 2016-04-20

2014/30/EU ≥ 2016-04-20

### Standarde

EN 60335-1:2012

EN 60335-2-79:2012

EN 62233:2008

EN 55014-1:2006+A1:2009+A2:2011

EN 55014-2:1997+A1:2001+A2:2008

EN 61000-3-2:2006+A1:2009+A2:2009

EN 61000-3-3:2013

EN 50581:2012

### Nivelul puterii acustice

dB(A) măsurați: **94**

dB(A) garanțați: **96**

2000/14/EC: Dispozitivul este definit de nr. 27 al Anexei I. Procedura de evaluare a conformității în concordanță cu Anexa V.

Dosarul tehnic este depozitat la Lavorwash spa, via J.F.Kennedy, 12 - 46020 Pegognaga (MN) – Italia.

Lavorwash S.p.A  
via J.F.Kennedy, 12  
46020 Pegognaga  
(MN) - Italia Pegognaga, 15 octombrie 15 2015



Giancarlo Lanfredi  
Director general

**GARANȚIE LIMITATĂ**

Briggs & Stratton garantează că, în perioada de garanție specificată mai jos, va repara sau va înlocui în mod gratuit orice componente cu defecte de material, de manoperă sau ambele. Costurile de transport pentru produsul supus reparației sau înlocuirii trebuie suportate de către cumpărător. Această garanție este valabilă pentru perioadele de timp și în condițiile menționate mai jos. Pentru a beneficia de service conform garanției, localizați cel mai apropiat agent autorizat pentru service folosind harta de localizare a agenților de pe BRIGGSandSTRATTON.com. Cumpărătorul trebuie să contacteze agentul autorizat pentru service și trebuie să îi pună acestuia la dispoziție produsul pentru inspecție și teste.

**Nu există nicio altă garanție explicată. Garanțiile implicite, inclusiv cele legate de vandabilitate sau de utilizabilitate într-un scop anume sunt limitate la perioada de garanție indicată mai jos sau de prevederile legale. Răspunderea privind daunele accidentale sau indirecte este exclusă în măsura permisă de lege.** Unele state sau țări nu permit limitări ale duratei unei garanții implicite, iar unele state sau țări nu permit excluderea sau limitarea daunelor accidentale sau indirecte și, prin urmare, este posibil ca limitarea și excluderea de mai sus să nu se aplice în cazul dvs. Prezența garanției vă oferă drepturi legale speciale și eventual alte drepturi, în funcție de stat sau țară.\*\*

**PERIOADA DE GARANȚIE**

Uz personal	Uz comercial
12 luni	Nu

\*\* În Australia - Produsele noastre sunt însoțite de garanții care nu pot fi excluse în baza legii australiene privind consumatorii. Aveți dreptul la înlocuire sau rambursări în cazul unei defecțiuni majore și la compensări în cazul oricărui altor pierderi sau daune previzibile în mod rezonabil. De asemenea, aveți dreptul la reparații sau înlocuiri ale produselor dacă acestea nu sunt de calitate acceptabilă și dacă defecțiunea nu este una majoră. În ceea ce privește reparațiile în baza garanției, căutați cel mai apropiat agent autorizat pe harta de localizare a agenților noștri de pe BRIGGSandSTRATTON.COM, apălați 1300 274 447, trimiteți un e-mail la adresa salesenquires@briggsandstratton.com.au sau scrieți-ne la adresa Briggs & Stratton Australia Pty Ltd, 1 Moorebank Avenue, NSW, Australia, 2170.

Perioada de garanție începe de la data achiziționării de către primul client persoană fizică sau comercial. „Uz personal” se referă la utilizarea la domiciliu de către un client persoană fizică. „Uz comercial” se referă la toate utilizările, inclusiv utilizarea în scopuri comerciale, obținere de venituri sau închirieri. După ce produsul a fost supus utilizării comerciale, va intra sub incidența termenilor pentru uz comercial ai acestei garanții.

Pentru asigurarea unei acoperiri prompte și complete a garanției, înregistrați-vă produsul pe site-ul de mai sus sau la [www.onlineproductregistration.com](http://www.onlineproductregistration.com), trimiteți prin poștă cardul de înregistrare completat (dacă există) sau apălați 1-800-743-4115 (în SUA).

Păstrați chitanța. Dacă nu prezentați dovada datei achiziției inițiale în momentul în care solicitați service în baza garanției, pentru a determina eligibilitatea la garanție va fi folosită data de fabricație a produsului. Înregistrarea produsului nu este necesară pentru a obține reparații în baza garanției pentru produsele Briggs & Stratton.

**DESPRE GARANȚIA DVS.**

Reparațiile în baza garanției sunt disponibile doar prin intermediul agenților de service autorizați ai Briggs & Stratton. Majoritatea reparațiilor în baza garanției sunt operații de rutină, însă în unele situații garanția nu acoperă reparațiile care se impun. Această garanție acoperă doar defectele de material sau manoperă. Această garanție nu acoperă daunele survenite în urma utilizării necorespunzătoare sau a abuzului, întreținerii sau reparării incorecte, uzurii normale sau folosirii de combustibil alterat sau neaprobat.

**Utilizare necorespunzătoare și abuz** - Utilizarea corectă a acestui produs, conform destinației vizate, este descrisă în Manualul de utilizare. Utilizarea produsului în alt mod decât cel descris în manualul de utilizare sau utilizarea produsului după ce a fost deteriorat nu beneficiază de acoperire în baza acestei garanții. De asemenea, garanția nu este valabilă dacă numărul de serie de pe produs a fost îndepărtat, dacă produsul a fost modificat în orice fel sau dacă există urme evidente de abuz, cum ar fi deteriorări din cauza impactului sau din cauza coroziunii provocate de apă sau de substanțe chimice.

**Întreținere sau reparare necorespunzătoare** - Acest produs trebuie întreținut în conformitate cu procedurile și graficele prezentate în Manualul de utilizare, iar lucrările de service și reparații trebuie efectuate folosind doar piese de schimb Briggs & Stratton originale sau echivalente. Defectele apărute din cauza neîntreținerii adecvate sau a utilizării unor piese de schimb care nu sunt originale nu sunt acoperite de garanție.

**Uzură normală** - La fel ca majoritatea dispozitivelor mecanice, unitatea dvs. este supusă uzurii chiar dacă este întreținută corespunzător. Această garanție nu acoperă reparațiile în cazul în care componentele sau echipamentul au fost utilizate peste durata lor de viață. Produsele de întreținere și consumabilele precum filtrele, curelele, lamele de tăiat și plăcuțele de frână (cu excepția plăcuțelor de frână de la motor) nu sunt acoperite de garanție dacă prezintă doar uzură de folosire, cu excepția cazului în care uzura este cauzată de defecte de material sau de manoperă.

**Combustibil vechi sau neomologat** - Pentru a funcționa corect, acest produs necesită combustibil proaspăt, conform criteriilor specificate în Manualul de utilizare. Defectele motorului sau ale echipamentelor provocate de combustibili vechi sau de utilizarea de combustibili neomologați (precum amestecurile de etanol E15 sau E85) nu sunt acoperite de garanție.

**Alte excluzeri** - Această garanție exclude deteriorările cauzate de accidente, abuzuri, modificări, alterări, depanare necorespunzătoare, îngheț sau acțiune chimică. De asemenea, sunt excluse accesoriile care nu au fost ambalate inițial împreună cu produsul. Nu sunt acoperite de garanție echipamentele utilizate pentru alimentare primară în loc de alimentare de la utilități sau echipamentele utilizate în aplicații pentru menținerea funcțiilor vitale. Această garanție nu include echipamentele sau motoarele uzate, recondiționate, la mâna a doua sau demonstrative. Această garanție exclude, de asemenea, defecțiunile apărute în urma dezastrelor naturale și a altor situații de forță majoră care nu pot fi controlate de către producător.

## Содержание

Знаки безопасности и управления	4
Описание оборудования	4
Сборка	5
Описание характеристик и рычагов управления	5
Эксплуатация	5
Техническое обслуживание	7
Хранение	7
Поиск и устранение неисправностей	8
Технические характеристики	8
Гарантия	10

## Знаки безопасности и управления

Предупредительный знак может указывать на вид опасности. **ПРЕДУПРЕЖДЕНИЕ** указывает на опасную ситуацию, которая *может* привести к смертельному исходу или серьезным травмам. **ПРИМЕЧАНИЕ** указывает на ситуации, не связанные с опасностью получения травм.



Прочитайте руководство



Незакрепленные элементы



Поражение электрическим током



Вытекание жидкости



Опасность падения



Химический ожог



Пожар



Знак предупреждения об опасности



ON (ВКЛ)



OFF (ВЫКЛ)



Вода, непригодная для питья



Запрещено направлять распылительный пистолет на себя, других людей или животных. Никогда не распыляйте воду вблизи источников питания или электрических приборов.

Данное устройство не предназначено для использования лицами (в том числе, детьми) с ограниченными физическими, сенсорными или умственными способностями, недостаточным опытом и знаниями без участия лица, осведомленного в вопросах безопасности и потенциальных угроз, которые может повлечь неконтролируемое использование устройства.

### ПРЕДУПРЕЖДЕНИЕ

- Это оборудование было разработано для использования с чистящим средством, которое поставляет или рекомендует производитель. Использование других чистящих средств или химикатов может негативно сказаться на безопасности оборудования.

- Струи высокого давления могут представлять опасность при их неправильном использовании. Струя не должна быть направлена на людей, работающие электрические устройства или само оборудование.
- Запрещается эксплуатация оборудования лицами, на которых не надета защитная одежда.
- Не направляйте струю на себя или других людей, чтобы очистить одежду или обувь.
- Опасность взрыва — не распыляйте воспламеняющиеся жидкости.
- Очистители высокого давления не должны использоваться детьми или необученным персоналом.
- Шланги высокого давления, фитинги и муфты являются важными элементами для обеспечения безопасной эксплуатации оборудования. Используйте только шланги, фитинги и муфты, рекомендованные производителем.
- Для обеспечения безопасной эксплуатации оборудования используйте только оригинальные запасные части производителя или одобренные производителем.
- Вода, прошедшая через обратный клапан, считается непригодной для питья.
- Обесточивайте оборудование путем извлечения электрической вилки из розетки во время проведения чистки или технического обслуживания, а также во время замены деталей.
- Не используйте оборудование, если поврежден шнур или важные детали устройства, например, защитные приспособления, шланги высокого давления, пистолет-распылитель.
- Не используйте удлинитель с этим электрическим моющим устройством высокого давления.
- Всегда выключайте главный выключатель, когда оставляете машину без присмотра.

## Описание оборудования



Внимательно прочитайте данное руководство и ознакомьтесь с мойкой высокого давления. Изучите сферы применения оборудования, эксплуатационные ограничения и связанные с ними риски. Сохраните оригинальное руководство для будущего использования.

Мойка высокого давления работает с макс. давлением 12,0 МПа (1740 фунтов на кв. дюйм или 120 бар) и скоростью потока до 15,00 литров (4,0 галлона) в минуту. Нами предприняты все необходимые меры для обеспечения точности и актуальности информации, содержащейся в настоящем руководстве. Вместе с тем, мы оставляем за собой право изменять, дополнять или усовершенствовать оборудование и данный документ в любое время без предварительного уведомления.

**ПРИМЕЧАНИЕ** При возникновении любых вопросов, связанных с эксплуатацией, обращайтесь к дилеру или в официальный сервисный центр. **ЗАПРЕЩАЕТСЯ** эксплуатировать оборудование с поврежденными или отсутствующими деталями, а также без защитного кожуха или крышек. **ВНИМАТЕЛЬНО ПРОВЕРЬТЕ** работу всех устройств обеспечения безопасности перед началом работы с данным оборудованием. Любые модификации мойки высокого давления **ЗАПРЕЩЕНЫ**. Данное оборудование рассчитано на эксплуатацию **ТОЛЬКО** с оригинальными запчастями «Briggs & Stratton Power».

#### Технология «POWERflow+»

Технология «POWERflow+» Компании «Briggs & Stratton» - это система компонентов, работающих совместно для обеспечения высокоэффективной очистки. Технология «POWERflow+» обеспечивается использованием насоса с двумя режимами очистки: режим высокого давления и режим повышенного расхода. Последний улучшает качество очистки благодаря лучшему покрытию поверхности, вспениванию и промывке.

#### Переносное устройство защитного отключения

Мойка высокого давления оборудована переносным устройством защитного отключения (ПУЗО) ПУЗО обеспечивает дополнительную защиту от риска поражения электрическим током. ПУЗО обеспечивает защиту для силы тока в 10 мА.

#### Автоматическое отключение

Датчик останавливает двигатель, если пусковой механизм распылительного пистолета сработал или замкнулся. **ЗАПРЕЩЕНО** использовать данное оборудование, если двигатель продолжает работать, в то время как пусковой механизм распылительного пистолета сработал или замкнулся. При возникновении вопросов обратитесь в официальный сервисный центр Компании «Briggs & Stratton».

**ПРИМЕЧАНИЕ** Если мойка не используется, выключатель питания всегда должен находиться в положении OFF (0).

#### Перегрузка двигателя

Устройство защиты от перегрузки выключает двигатель, если он перегревается или подает чрезмерно высокий ток. В случае срабатывания устройства защиты, отключите питание, переместив главный выключатель в положение OFF (0). Дайте двигателю остыть в течение 30 минут и затем переместите главный выключатель в положение ON (I).

#### Утилизация согласно стандартам ЕС



Данный символ указывает на то, что владельцы аккумуляторов, электрического и электронного оборудования должны утилизировать данные устройства отдельно от неотсортированных бытовых отходов. Данные устройства должны быть

утилизированы на специальных объектах с соблюдением стандартов защиты окружающей среды. Для получения дополнительной информации о процедуре утилизации, обратитесь в офис Компании «Briggs & Stratton» или к местному дистрибьютору.

## Сборка

### Прикрепите опорные трубы и ручку

Рисунок 1 2

1. Вставьте опоры (1,А) в отверстия. Выровняйте положение опор и прикрепите винтами (1,В). При затягивании винтов контролируйте положение опор.
2. Разместите ручку (2, А) на опорах и выровняйте с отверстиями.
3. Вставьте болт с квадратной головкой (2, В) в отверстия внутри устройства, прикрепите к пластмассовой головке (2, С) и затяните.

## Описание характеристик и рычагов управления Рисунок 3

А	Распылительный пистолет	Г	Шнур электропитания с переносного устройства защитного отключения
В	Насадка 7-в-1	Н	Заводская табличка
С	Лоток для аксессуаров	Ж	Впускной патрубков подачи воды
Д	Резервуар для моющего средства	К	Выходной патрубков высокого давления
Е	Выключатель электропитания	Л	Распылительная насадка
Ф	Шланг высокого давления		

## Эксплуатация

### Подключение шланга и водоснабжения к насосу Рисунок 3 4 6

**ПРИМЕЧАНИЕ** Используйте **ТОЛЬКО** холодную воду (ниже 38°C (100 °F)).

1. Установите шланг высокого давления (3,Ф) в распылительный пистолет (3,А).
2. Вставьте синий шланг высокого давления (3,Ф) в отверстие (3,К) и затяните.
3. Установите впускной водный фильтр и черный резиновый уплотнитель во входную муфту подачи воды (4,А).
4. Установите входную муфту подачи воды (4,В) в впускной патрубков и затяните.

**ПРИМЕЧАНИЕ** Для обеспечения высокой производительности подключайте садовый шланг мойки высокого давления **ТОЛЬКО** к источнику водоснабжения, способному подавать 5 гал./мин. (18,9 л) при 25-75 фунт/кв. дюйм (1,72-5,17 бар).

5. Пустите воду через садовый шланг, чтобы очистить его от мусора.

**ПРИМЕЧАНИЕ** Использование обратного клапана на впускном патрубке может привести к повреждению насоса. Между впускным патрубком мойки высокого давления и обратным клапаном **ДОЛЖНО** быть не менее 3 м (10 футов) садового шланга без перегибов и защемлений.



**ПРЕДУПРЕЖДЕНИЕ!** Вода, которая течет через обратный клапан, считается технической.

6. Подключите садовый шланг (4,С) (длиной не более 15 м (50 футов)) в впускную патрубков (4,В) и затяните.
7. Включите подачу воды, направьте распылительный пистолет в безопасном направлении, нажмите кнопку разблокировки спускового рычага (5,А), нажмите спусковой рычаг, чтобы спустить воздух из системы.
8. Установите расширительную насадку (3,Л) на пистолет (3,А). Затяните вручную.
9. Потяните хомут расширительной насадки (7,А), вставьте наконечник распылителя 7-в-1 (А) и отпустите хомут. Держите за наконечник распылителя, чтобы убедиться, что он надежно закреплен. См. *Распылительный наконечник 7-в-1*.

### Запуск мойки высокого давления Рисунок 3 9



**ПРЕДУПРЕЖДЕНИЕ!** При распылении струя воды может брызнуть в обратную сторону или толкнуть предметы, что может стать причиной серьезных травм.

При эксплуатации или в непосредственной близости от данного оборудования всегда одевайте герметичные защитные очки (против брызг химических веществ) с маркировкой соответствия стандарту ANSI Z87.1.

1. Поверните выключатель электропитания (3,Е) в положение OFF (0).



**ПРЕДУПРЕЖДЕНИЕ!** Опасность поражения электрическим током. Использование удлинителя может стать причиной поражения электрическим током или ожога, а также привести к гибели или серьезным травмам.

**ЗАПРЕЩЕНО** использовать удлинитель при работе с электрической мойкой высокого давления. Бытовой розеточный соединитель или удлинитель могут не соответствовать характеристикам переносного устройства защитного отключения.

2. Вставьте шнур электропитания (3, G) в выделенную электрическую цепь 10 А и 220 - 240 В переменного тока, установленную в соответствии с местными нормами и правилами. Никакие другие электрические приборы не должны быть подключены к данной цепи.
3. Нажмите кнопку RESET (СБРОС) (8, C). Индикатор (8, B) должен быть включен.

**ПРИМЕЧАНИЕ** При эксплуатации мойки высокого давления индикатор переносного устройства защитного отключения должен быть включен.

4. Нажмите кнопку TEST (ТЕСТ) (8, A). Индикатор (8, B) должен быть выключен.
5. Нажмите кнопку RESET (СБРОС) (8, C). Индикатор (8, B) должен быть включен.



**ПРЕДУПРЕЖДЕНИЕ!** Опасность поражения электротоком. Эксплуатация мойки высокого давления без переносного устройства защитного отключения может привести к гибели или серьезным травмам. Запрещено использовать переносное устройство защитного отключения, если после тестирования и запуска оборудования индикатор переносного устройства защитного отключения не находится в положении ON.

6. Переместите выключатель питания в положение ON (I).
7. Направьте распылительный пистолет в безопасном направлении, нажмите кнопку разблокировки спускового рычага и нажмите спусковой рычаг.

Двигатель будет запускаться и останавливаться при нажатии и ослаблении спускового рычага.

### Распылительный наконечник 7-в-1 Рисунок 11

Распылительный наконечник 7-в-1 позволяет переключаться между семью разными режимами распыления. Перед сменой режимов распыления отпустите спусковой рычаг пистолета для его блокировки.

1. Выберите необходимый режим распыления:
  - Выберите режим «Maximum 0°» (Максимум 0°) (A) для очистки сильно загрязненных или труднодоступных поверхностей, например, мойки предметов на большом расстоянии, удаления краски, масляных пятен, ржавчины или других стойких веществ (смолы, камеди, жира, воска и т.д.).
  - Выберите режим «General 15°» (Стандартная 15°) (B) для стандартной очистки. Идеально подходит для удаления жира и грязи с твердых поверхностей. Также подходит для зачистки краски при работе под углом 45°.
  - Выберите режим «Gentle 40°» (Деликатная 40°) (C) для бережной очистки поверхностей легковых / грузовых автомобилей, катеров, автофургонов, уличной мебели, газонокосилок и т.д.
  - Выберите режим «Fan Spray» (Промывка и обдув) (D) для эффективного удаления легких загрязнений и мусора.
  - Выберите режим «Fan Spray with Soap» (Промывка и обдув с моющим средством) (F) для деликатной очистки поверхностей легковых автомобилей, грузовиков, детского игрового оборудования, уличной мебели и т.д.
  - Выберите режим «Extended Reach» (Усиленное распыление) (G) для быстрой очистки сильным напором предметов с большого расстояния, например сайдинга или окон второго этажа.
  - Выберите режим «Extended Reach with Soap» (Усиленное распыление с моющим средством) (H) для очистки с моющим средством предметов с большого расстояния, например сайдинга или окон второго этажа.
2. Поворачивайте переключатель до тех пор, пока стрелка укажет на необходимый режим работы распылительной насадки 7-в-1.

### Рекомендации по эксплуатации

- Для наиболее эффективной очистки держите распылительные наконечники на расстоянии 20-61 см (8-24 дюйма) от очищаемой поверхности.
- При использовании распылительного наконечника слишком близко к поверхности (особенно при использовании распылительного наконечника высокого давления), существует риск повреждения очищаемой поверхности.
- ПРИ ОЧИСТКЕ ШИН УДЕРЖИВАЙТЕ распылительный пистолет на расстоянии не менее 15 см (6 дюймов) от очищаемой поверхности.

### Применение мощного средства Рисунок 3



**ПРЕДУПРЕЖДЕНИЕ!** Химические вещества могут стать причиной ожога, а также привести к гибели или серьезным травмам. НЕ ИСПОЛЬЗУЙТЕ едкие жидкости при работе с мойкой высокого давления. Используйте ТОЛЬКО мощные средства/мыло, безопасные для мойки высокого давления. Придерживайтесь инструкций производителей.

#### Процедура применения мощного средства:

1. Снимите крышку с резервуара для моющего средства (D), выполните заливку моющего средства. Установите крышку на место.
2. Убедитесь, что распылительная насадка 7-в-1 установлена в режиме, применяемом для работы с мощными средствами.

**ПРИМЕЧАНИЕ** Мощное средство может применяться только с насадками высокого давления (режимы «maximum», «general», «gentle», «fan spray» и «extended reach»).

3. Длинными, размашистыми движениями нанесите моющее средство на сухую поверхность снизу вверх.
4. Дайте мощному средству «впитаться» в соответствии с инструкциями производителя моющего средства перед началом мойки или промывки.

### Промывка мойки высокого давления

1. Выберите необходимую распылительную насадку.



**ПРЕДУПРЕЖДЕНИЕ!** Сила отдачи распылителя может привести к падению и, в результате, смерти или серьезной травме. Эксплуатируйте мойку высокого давления на устойчивой поверхности. Будьте предельно осторожны при использовании мойки высокого давления на лестнице, строительных лесах или любом другом подобном месте. Во избежание травм из-за силы отдачи при использовании распылительного пистолета высокого давления, крепко возьмитесь за него обеими руками.

2. Выполните распыление в режиме высокого давления на небольшом участке и проверьте поверхность на предмет наличия повреждений. Если повреждения не обнаружены, продолжите промывку.
3. Начните промывку сверху, постепенно двигаясь вниз и используя те же размашистые движения, что и при очистке.

### Остановка мойки высокого давления Рисунок 3

1. Отпустите спусковой рычаг распылительного пистолета.
2. Поверните выключатель электропитания (E) в положение OFF (0).

**ПРИМЕЧАНИЕ** Ослабление спускового рычага приведет к остановке двигателя, однако не приведет к выключению питания устройства.

3. Отключите подачу воды.
4. ВСЕГДА направляйте распылительный пистолет в безопасном направлении, нажмите кнопку разблокировки спускового рычага и нажмите спусковой рычаг для ослабления давления.



**ПРЕДУПРЕЖДЕНИЕ!** Поток воды под высоким давлением, создаваемый данным оборудованием, может порезать кожу и подкожные ткани, привести к серьезным травмам и возможной потере конечностей.

Шланг высокого давления должен оставаться подключенным к насосу и распылительному пистолету все время, пока система находится под давлением. НЕ ДОПУСКАЙТЕ несанкционированное использование оборудования детьми.

ВСЕГДА направляйте распылительный пистолет в безопасном направлении, зажимайте спусковой крючок пистолета для сброса высокого давления каждый раз при остановке двигателя.

- Отключите вилку переносного устройства автоматического отключения (G) от розетки и сверните шнур электропитания вокруг крюка на дне лотка для аксессуаров.
- Сверните шланг высокого давления вокруг верхнего крюка лотка для аксессуаров.
- Храните красную насадку высокого давления на распылительном наконечнике. Храните распылительный пистолет, распылительную насадку и насадку 7-в-1 в лотке для аксессуаров.

## Завершение эксплуатации устройства

Вода не должна оставаться в устройстве в течение длительного времени. Отложения или минералы могут осаждаться на деталях насоса и блокировать работу устройства. После каждой эксплуатации выполняйте следующие действия:

- Оставьте мойку высокого давления работать с насадкой для моющих средств до полного опустошения резервуара.
- Добавьте 0,5 литров воды в резервуар для моющего средства и запустите мойку с насадкой для моющих средств. Выполните промывку оборудования в течение двух минут.
- Поверните выключатель электропитания в положение OFF (0). Удалите вилку шнура электропитания из электрической розетки.
- Отключите подачу воды. Направьте распылительный пистолет в безопасном направлении, нажмите кнопку блокировки спускового рычага и зажмите спусковой рычаг для сброса давления.
- Отсоедините садовый шланг от патрубка подачи воды. Отсоедините шланг высокого давления от распылительного пистолета и выпускного патрубка высокого давления.
- Слейте воду из шланга и распылителя и протрите внешние поверхности.
- Слейте воду из насоса, перевернув устройство на правую сторону (патрубок подачи воды должен находиться внизу) и удерживая его в течение двух минут. Переверните устройство и оставьте лежать на патрубке подачи воды высокого давления в течение еще двух минут.
- Сверните шланг высокого давления вокруг верхнего крюка лотка для аксессуаров.
- Сверните шнур электропитания вокруг крюка на дне лотка для аксессуаров. Храните распылительный пистолет, распылительную насадку и насадку 7-в-1 в лотке для аксессуаров.
- Храните устройство в чистом и сухом месте.
- В случае хранения оборудования в течение более 30 дней см. раздел «Хранение».

## Техническое обслуживание Общие рекомендации

Регулярное обслуживание улучшает эксплуатационные характеристики и продлевает срок службы мойки высокого давления. Для осуществления технического обслуживания обратитесь в официальный сервисный центр «Briggs & Stratton». НЕ ДОПУСКАЙТЕ детей к очистке или обслуживанию устройства без наблюдения взрослых.

Гарантия на мойку высокого давления не распространяется на детали, которые стали объектом неверного обращения или небрежности оператора. Для получения полного покрытия гарантии оператор должен эксплуатировать мойку высокого давления согласно данному руководству, в том числе, соблюдая надлежащие условия хранения, как описано в разделе «Хранение»



**ПРЕДУПРЕЖДЕНИЕ!** Для обеспечения безопасной эксплуатации оборудования используйте только оригинальные запасные части от производителя или одобренные производителем. Если у Вас возникли вопросы о замене деталей мойки высокого давления, посетите наш веб-сайт BRIGGSandSTRATTON.COM. Если шнур поврежден, обратитесь в авторизованный сервисный центр Briggs & Stratton.

## Техническое обслуживание распылительного наконечника Рисунок 3

Очистите распылительный наконечник, чтобы отрегулировать избыточное давление насоса, вызванное засорением распылительного наконечника:

- Поверните выключатель электропитания в положение OFF (0). Удалите вилку шнура электропитания из электрической розетки.
- Удалите распылительный наконечник 7-в-1 из расширительной насадки.
- Используйте маленькую скрепку, чтобы удалить посторонние предметы, засоряющие или ограничивающие распылительный наконечник.
- Установите распылительный наконечник 7-в-1 обратно в расширительную насадку.

## Техническое обслуживание уплотнительного кольца Рисунок 10

Использование смазки (нефтяной или синтетической) поможет повысить эффективность уплотнительных колец и обеспечить герметизацию системы. Нанесите смазку на уплотнительные кольца до подключения садового шланга к входному патрубку насоса (A), шланга высокого давления к входному патрубку насоса (B), распылительный пистолет (C) и распылительному пистолету (D).

Приобрести комплект для технического обслуживания уплотнительных колец можно в официальном сервисном центре Компании «Briggs & Stratton». ЗАПРЕЩЕНО ремонтировать поврежденные соединения, используя герметик. Замените уплотнительное кольцо или сальник.

## поясняющий порядок замены плавного предохранителя УЗО (устройства защитного отключения) Рисунок 11



**ОСТОРОЖНО!** Для снижения риска возгорания заменяйте только плавким предохранителем на 13 А, соответствующим стандарту BS 1362.

Если плавкий предохранитель установлен внутри УЗО:

- Определите местонахождение плавкого предохранителя, расположенного у штыревой части разъема УЗО.
- С помощью отвертки с плоским шлицем демонтируйте крышку (A) и узел плавкого предохранителя. Снимите плавкий предохранитель (B) с крышки. Замените плавким предохранителем на 13 А, соответствующим стандарту BS 1362.
- Установите крышку и узел плавкого предохранителя.

## Хранение

Выполните действия, описанные в пунктах 1-10 раздела «Завершение процедуры эксплуатации».

**ПРИМЕЧАНИЕ** Вода, оставленная в насосе, может замерзнуть и безвозвратно повредить насос. Повреждения, вызванные замерзанием, не покрываются гарантией.

## Защита насоса

Для защиты насоса от повреждений, вызванных отложением минералов или замерзанием, используйте средство PumpSaver для предотвращения повреждений от замерзания, а также обработайте поршни и сальники смазкой.

**ПРИМЕЧАНИЕ** Отсутствие защиты устройства от низких температур может привести к повреждению насоса и, как следствие, его неисправности. Повреждения, вызванные замерзанием, не покрываются гарантией.

## Прочие рекомендации по хранению

- Сверните шланг высокого давления вокруг верхнего крюка лотка для аксессуаров.
- Сверните шнур электропитания вокруг крюка на дне лотка для аксессуаров.
- Храните распылительный пистолет, распылительную насадку и насадку 7-в-1 в лотке для аксессуаров.
- Накройте мойку высокого давления подходящим защитным чехлом, который не удерживает влагу. Храните мойку в чистом, сухом и отапливаемом помещении.

## Поиск и устранение неисправностей

Неисправность	Причина	Способ устранения
<b>Неисправность насоса: не накачивает давление, перепад давления, дребезжание, потеря давления, низкий объем воды.</b>	<ol style="list-style-type: none"> <li>1. Подача воды заблокирована.</li> <li>2. Недостаточная подача воды.</li> <li>3. Садовый шланг сдавлен или протекает.</li> <li>4. Фильтр патрубка подачи воды засорен.</li> <li>5. Распылительный наконечник засорен.</li> </ol>	<ol style="list-style-type: none"> <li>1. Очистите впускной патрубок.</li> <li>2. Обеспечьте нормальную подачу воды.</li> <li>3. Выпрямите садовый шланг или замените в случае наличия утечки.</li> <li>4. Очистите фильтр патрубка подачи воды.</li> <li>5. Очистите распылительный наконечник.</li> </ol>
<b>Устройство не запускается при нажатии спускового рычага распылительного пистолета.</b>	<ol style="list-style-type: none"> <li>1. Отсутствует подача воды.</li> <li>2. Устройство выключено.</li> <li>3. Длина напорного шланга слишком большая.</li> <li>4. Перегорел предохранитель или сработал автоматический выключатель.</li> </ol>	<ol style="list-style-type: none"> <li>1. Обеспечьте подачу воды.</li> <li>2. Переместите выключатель электропитания в положение ON (I). Перезапустите переносное устройство защитного отключения</li> <li>3. Макс. длина садового шланга должна составлять 15,24 м (50 футов)</li> <li>4. а.) Замените предохранитель или выполните сброс автоматического выключателя.</li> <li>5. b.) Отключите другие электроприборы и выключите электропитание в цепи или используйте выделенную цепь. с.) В течение 5 минут используйте с распылительным наконечником «турбо».</li> </ol>
<b>Моющее средство не смешивается с распыляемой водой.</b>	<ol style="list-style-type: none"> <li>1. Установлен распылительный наконечник высокого давления.</li> <li>2. Слишком высокое давление подаваемой воды.</li> </ol>	<ol style="list-style-type: none"> <li>1. Установите распылительную насадку.</li> <li>2. Медленно закрывайте кран подачи воды до тех пор, пока моющее средство начнет смешиваться с водой.</li> </ol>
<b>Утечка напорного шланга.</b>	<ol style="list-style-type: none"> <li>1. Садовый шланг пропускает воду на соединении с патрубком.</li> <li>2. Утечка на соединении шланга высокого давления.</li> <li>3. Повреждение уплотнительного кольца.</li> </ol>	<ol style="list-style-type: none"> <li>1. Затяните садовый шланг вручную.</li> <li>2. Удалите и повторно установите шланг.</li> <li>3. Замените поврежденное уплотнительное кольцо.</li> </ol>

Во всех прочих случаях обращайтесь к официальному дилеру «Briggs & Stratton».

Технические характеристики		
Допустимое давление	МПа / бар / фунт/кв. дюйм	16,0/160/2,320*
Максимальный расход	литров в минуту/галлонов в минуту	15,0/4,0*
Номинальное давление и расход	МПа / бар / фунт/кв. дюйм при литрах в минуту/галлонах в минуту	12/120/1740 при 5,5/1,45
Температура воды	°C/°F	38/100
Номинальное напряжение	В	220 - 240
Номинальная частота	Гц	50/60
Потребление электроэнергии	кВт	2,500
Сила тока	А	9,0
Класс защиты	Класс	Класс II
Степень защиты	IP xx	IPX5
Вибрация рук $a_{hd}$ Погрешность K	m/s <sup>2</sup>	$\leq 2,5^*$ $0,2^*$
Уровень звукового давления $L_{pA}$ Погрешность $K_{pA}$	дБ(A) дБ(A)	$74^*$ $2^*$
Уровень звуковой мощности $L_{WA}$	дБ(A)	$94^*$
Гарантированный уровень звуковой мощности $L_{WA,d}$	дБ(A)	$96^*$

\* Согласно EN 60335-2-79: 2012.

## Declarație de conformitate CE

### Lavorwash spa

Via J.F.Kennedy, 12 – 46020 Pegognaga (MN) – Italia

Această Declarație de conformitate este emisă sub responsabilitatea unică a producătorului. Aceasta certifică faptul că produsele enumerate în acest document sunt în conformitate cu legislația armonizată relevantă a Uniunii și pot purta marcajul CE. Aceste modele respectă următoarele Directive și Standarde asociate.

**Produs:** Aparat de spălat cu presiune ridicată

**Tip – model:** BPW1800PX

#### Directive UE

2006/42/EC (+2009/127/CE)

2006/95/EC

2004/108/EC

2000/14/EC (+2005/88/EC)

2011/65/EU (+2015/863/EU)

2014/35/EU ≥ 2016-04-20

2014/30/EU ≥ 2016-04-20

#### Standarde

EN 60335-1:2012

EN 60335-2-79:2012

EN 62233:2008

EN 55014-1:2006+A1:2009+A2:2011

EN 55014-2:1997+A1:2001+A2:2008

EN 61000-3-2:2006+A1:2009+A2:2009

EN 61000-3-3:2013

EN 50581:2012

#### Nivelul puterii acustice

dB(A) măsurați: **94**

dB(A) garanțați: **96**

2000/14/EC: Dispozitivul este definit de nr. 27 al Anexei I. Procedura de evaluare a conformității în concordanță cu Anexa V.

Dosarul tehnic este depozitat la Lavorwash spa, via J.F.Kennedy, 12 - 46020 Pegognaga (MN) – Italia.

Lavorwash S.p.A  
via J.F.Kennedy, 12  
46020 Pegognaga  
(MN) - Italia Pegognaga, 15 octombrie 15 2015



Giancarlo Lanfredi  
Director general

**ОГРАНИЧЕНИЕ ОБЪЕМА ГАРАНТИЙНЫХ ОБЯЗАТЕЛЬСТВ**

Компания «Briggs & Stratton» обязуется в течение гарантийного периода, определенного ниже, производить бесплатный ремонт или замену любых деталей, имеющих дефекты материала и/или производства. Транспортные расходы, связанные с доставкой изделий, предъявляемых для ремонта или замены по настоящей гарантии, должен нести покупатель. Гарантия действительна для сроков и условий, указанных ниже. Для проведения гарантийного обслуживания обратитесь в официальный сервисный центр Компании «Briggs & Stratton». Найдите ближайшего дистрибьютора с помощью нашего инструмента поиска сервисных центров на веб-сайте BRIGGSandSTRATTON.COM. Покупателю необходимо связаться с официальным сервисным центром Компании «Briggs & Stratton» и предоставить оборудование с целью проведения осмотра и проверки.

**Компания «Briggs & Stratton» не предоставляет других прямых гарантий. Подразумеваемые гарантии, включая гарантии пригодности для торговли и соответствия конкретному применению, ограничены гарантийным периодом, указанным ниже, а также гарантийным объемом, предусмотренным законодательством. Ответственность за случайный или косвенный ущерб исключается в той степени, в которой это предусмотрено законодательством.** В некоторых штатах или государствах запрещено ограничивать период действия подразумеваемой гарантии, в то время как в других штатах или государствах запрещено исключать или ограничивать ответственность за случайный или косвенный ущерб. Таким образом, приведенные выше исключения и ограничения, возможно, не будут распространяться на конкретного покупателя продукта. Данная гарантия предоставляет покупателям определенные юридические права. Вы также можете пользоваться иными правами в зависимости от действующего законодательства Вашего штата или государства.\*\*

**ГАРАНТИЙНЫЙ ПЕРИОД**

Некоммерческое использование	Коммерческое использование
12 месяца	Нет

\*\* Для Австралии – Наша продукция сопровождается гарантиями, которые не могут быть исключены, согласно закону Австралии о защите прав потребителей. Вы имеете право на замену продукции или на возврат уплаченной суммы, в случае серьезной неисправности, а также на компенсацию за прочие обоснованно прогнозируемые потери и убытки. Кроме того, Вы имеете право на ремонт продукции или ее замену, в случае если качество такой продукции является неприемлемым, а неисправность является незначительной. Для проведения гарантийного обслуживания найдите ближайшего официального сервисного дилера с помощью нашего инструмента поиска дилеров на веб-сайте: BRIGGSandSTRATTON.com, позвоните по телефону 1300-274-447, отправьте электронное письмо на адрес: salesenquires@briggsandstratton.com.au или напишите на адрес: Briggs & Stratton Australia Pty Ltd, 1 Moorebank Avenue, NSW, Australia, 2170.

Гарантийный период начинается с даты приобретения изделия первым розничным или коммерческим потребителем. «Некоммерческое использование» означает индивидуальное использование устройства розничным покупателем в бытовых целях. «Коммерческое использование» означает все иные варианты использования, включая те, которые связаны с коммерцией, извлечением прибыли или сдачей в аренду. Если продукция находилась в коммерческом использовании, она сразу же переходит в категорию «коммерческое использование» в рамках настоящих гарантийных условий. Чтобы обеспечить быстрое и полное гарантийное покрытие, зарегистрируйте приобретенную Вами продукцию на веб-сайте, указанном выше, или на www.onlineproductregistration.com, отправьте по почте заполненную карточку регистрации (если имеется в наличии) или позвоните по тел.: 1-800-743-4115 (на территории США).

Сохраните квитанцию, подтверждающую покупку оборудования. Если в запросе на гарантийное обслуживание не будет предоставлен документ, подтверждающий дату первой покупки, то для определения гарантийного периода будет использована дата изготовления изделия. Для получения гарантийного обслуживания оборудования «Briggs & Stratton» не требуется проходить специальную регистрацию.

**О ГАРАНТИИ НА ПРОДУКЦИЮ, ПРИОБРЕТЕННУЮ ВАМИ**

Гарантийное обслуживание осуществляется только официальными дилерами сервисного обслуживания Компании «Briggs & Stratton». В большинстве случаев гарантийный ремонт производится в рабочем порядке. Однако иногда запрос на гарантийное обслуживание может быть неоправданным. Данная гарантия покрывает только дефекты материала или производства. Она не покрывает повреждения, вызванные неправильной эксплуатацией, неправильным техническим обслуживанием или ремонтом, нормальным износом или использованием просроченного топлива или топлива, не одобренного к применению.

**Неправильная эксплуатация и нарушение норм эксплуатации.** Нормы эксплуатации и надлежащий порядок использования данного оборудования описаны в руководстве по эксплуатации. Эксплуатация данного изделия в виде или форме, не описанном в руководстве по эксплуатации, а также эксплуатация поврежденного изделия не покрывается данным гарантийным обязательством. Гарантия также не предоставляется, если был удален серийный номер изделия, если изделие было каким-либо образом изменено или модифицировано, или если на нем имеются следы нарушения норм эксплуатации, например повреждения от ударов или коррозии, вызванная воздействием воды или химических веществ.

**Неправильное техническое обслуживание или ремонт** - Техническое обслуживание данного изделия должно проводиться в соответствии с порядком и графиком, приведенными в руководстве по эксплуатации. При ремонте и обслуживании изделия должны использоваться только оригинальные детали и запчасти «Briggs & Stratton» или их аналоги. Данная гарантия не покрывает повреждения, возникшие в результате ненадлежащего технического обслуживания или использования неоригинальных деталей.

**Нормальный износ** - Как и любое механическое устройство, Ваше оборудование подвержено нормальному износу даже при надлежащем техническом обслуживании. Гарантия не покрывает ремонт, в случае выхода из строя детали или всего изделия вследствие нормального износа. Сменные части и детали, подверженные износу, например фильтры, ремни, режущие ножи, тормозные накладки (кроме тормозных колодок двигателя), подвергшиеся износу, не покрываются гарантией, кроме случаев, когда это вызвано дефектом материала или производства.

**Просроченное топливо и топливо, не одобренное к применению.** Для нормальной работы данному оборудованию требуется свежее топливо, соответствующее требованиям, приведенным в руководстве по эксплуатации. Повреждения двигателя или оборудования, вызванные использованием несвежего топлива или топлива, не соответствующего требованиям (например, марок E15 и E85), не покрываются гарантийным обязательством.

**Прочие исключения.** Данное гарантийное обязательство не распространяется на поломки, вызванные аварией, ненадлежащей эксплуатацией, модификациями, изменениями конструкции, ненадлежащим техническим обслуживанием, замораживанием или воздействием вредных химикатов. Также исключается применение насадок и аксессуаров, не входящих в комплект поставки. Гарантия не распространяется на оборудование, используемое в качестве основного источника питания вместо питания от сети электроснабжения, а также на оборудование, используемое в системах жизнеобеспечения. Данное гарантийное обязательство не относится к бывшему в эксплуатации, отремонтированному или демонстрационному оборудованию и двигателям. Данное гарантийное обязательство также не распространяется на поломки, вызванные стихийными бедствиями и другими форс-мажорными обстоятельствами непреодолимой силы.

## Obsah

Bezpečnostné a prevádzkové symboly	4
Popis zariadenia	4
Montáž	5
Funkcie a ovládače	5
Prevádzka	5
Údržba	7
Skladovanie	7
Riešenie problémov	8
Technické parametre	8
Záruka	10

## Bezpečnostné a prevádzkové symboly

Bezpečnostný symbol sa môže používať na vyjadrenie typu rizika. **VAROVANIE!** označuje riziko, ktorému je potrebné predísť, inak by *mohla* byť jeho následkom smrť alebo vážne poranenie. **UPOZORNENIE** označuje postupy, ktoré nesúvisia s poraneniami osôb.



Čítajte príručku



Elektrický šok



Vstrekovanie kvapaliny



Varnostní symbol



Pád



Letiace úlomky



Pád



Chemické popáleniny



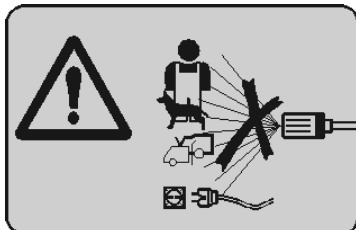
Zapnuté



Vypnuté



Nepitná voda



Nikoli ne usmeríte rozpršilne pištole v seba, druhe ljudi ali živali. Nikoli ne pršite v bližini električnega vira ali same naprave.

Toto zariadenie by nemali používať osoby (vrátane detí) so zníženými fyzickými, zmyslovými alebo mentálnymi schopnosťami, osoby bez potrebných skúseností alebo znalostí, ak nie sú pod dozorom a ak neboli informované o bezpečnej obsluhu a rizikách spojených s prevádzkou.

### VAROVANIE

- Tento stroj je určený na používanie s čistiacimi prostriedkami dodanými alebo odporúčanými výrobcem. Používanie iných čistiacich prostriedkov alebo chemikálií by mohlo mať negatívny vplyv na jeho bezpečnosť.
- Vysokotlakové prúdy môžu byť v prípade nesprávneho používania nebezpečné. Prúd sa nesmie nasmerovať na osoby, elektrické zariadenia pod prúdom alebo na zariadenie samotné.

- Stroj nepoužívajte v blízkosti iných osôb, pokiaľ nepoužívajú ochranný odev.
- Prúd nemierte na seba ani na iných, aby ste vyčistili odev alebo obuv.
- Nebezpečenstvo výbuchu – nestriekajte horľavé kvapaliny.
- Vysokotlakové čističe by nemali používať deti a nevyškolený personál.
- Aby sa zaistila bezpečnosť stroja, odporúčajú sa vysokotlakové hadice, armatúry a spoje. Používajte iba hadice, armatúry a spoje odporúčané výrobcom.
- Aby sa zaistila bezpečnosť stroja, používajte len originálne náhradné diely pochádzajúce od výrobcu alebo schválené výrobcom.
- Voda, ktorá pretiekla cez spätnú klapku sa považuje za nepitnú.
- Počas čistenia, údržby alebo výmeny dielov odpojte napájací kábel zo siete.
- Ak je kábel alebo dôležité časti stroja (napr. bezpečnostné poistky, vysokotlakové hadice, pištoľ) poškodené, nepoužívajte ho.
- Tento elektrický vysokotlakový čistič nezapájajte do siete pomocou predĺžovacieho kábla.
- Ak nechávate stroj bez dozoru, vždy vypnite hlavný vypínač.

## Popis zariadenia



Tento návod si dôkladne preštudujte a oboznámte sa s vysokotlakovým čističom. Zistíte jeho použitie, obmedzenia a prípadné riziká. Tieto pôvodné pokyny uschovajte pre prípadné použitie v budúcnosti.

Tento elektrický tlakový čistič pracuje pri maximálnom tlaku 12,0 MPa (120 BAR alebo 1740 PSI (libier na palec štvorcový)) pri prietokovej rýchlosti do 15,00 l/min (litrov za minútu) ((4,0 GPM (galónov za minútu))).

Na zabezpečenie presnosti a aktuálnosti informácií v tomto návode sa vynaložilo maximálne úsilie.

Vyhradzujeme si však právo na zmenu, úpravu alebo iné vylepšenia produktu a tohto dokumentu kedykoľvek bez predchádzajúceho upozornenia.

**UPOZORNENIE** V prípade otázok týkajúcich sa účelu použitia sa obráťte na predajcu alebo kvalifikované servisné stredisko. NEPOUŽÍVAJTE zariadenia s poškodenými alebo chýbajúcimi dielmi alebo bez ochranných krytov. NEVYHÝBAJTE SA žiadnym bezpečnostným zariadeniam tohto stroja. Vysokotlakový čistič žiadnym spôsobom NEUPRAVUJTE. Toto zariadenie je skonštruované na používanie **VYLUČNE** s dielmi schválenými spoločnosťou Briggs & Stratton.

### Technológia POWERflow+

Technológia POWERflow+ spoločnosti Briggs & Stratton je systém komponentov, ktoré spolupracujú tak, aby poskytovali čo najväčší prúd. Hnacou silou čističa POWERflow+ je čerpadlo s dvoma režimami čistenia: vysokotlakovým a vysoko prietokovým, ktoré zlepšujú čistenie pomocou väčšieho dosahu, silnej aplikácie čistiaceho prostriedku a rýchlejšieho oplachovania.

### Prúdový chránič

Tento tlakový čistič je vybavený prúdovým chráničom (PRCD), ktorý je zabudovaný do zástrčky napájacieho kábla. Toto zariadenie poskytuje vyššiu ochranu pred rizikom elektrického šoku. PRCD poskytuje ochranu 10 mA.

## Automatické vypnutie

Ak je spúšť striekacej pištole uvoľnená alebo uzamknutá, senzor vypne motor. Ak motor naďalej beží aj po uvoľnení alebo uzamknutí spúšte striekacej pištole, **PRÍSTROJ NEPOUŽÍVAJTE**. Spojte sa s autorizovaným zástupcom Briggs & Stratton.

**UPOZORNENIE** Ak tlakový čistič práve nepoužívate, vypínač by mal byť vždy v polohe VYP (0).

## Preťaženie motora

Ak sa motor prehreje alebo začne odoberať nadmerné množstvo prúdu, chránič pred preťažením ho automaticky vypne. Ak sa tento chránič aktivuje, odpojte prístroj od prúdu prepnutím vypínača do polohy VYP (0). Nechajte prístroj 30 minút chladnúť a potom prepnite vypínač do polohy ZAP (I).

## Odlaganje EU



Ta symbol označuje, da lastnik baterij in električne ali elektronske opreme ne sme odložiti v nesortiran komunalni odpad. Ta izdelek je treba odložiti na ekološki ustreznih mestih za odlaganje odpada. Za dodatne informacije o odlaganju se obrnite na Briggs & Stratton ali lokalnega trgovca.

## Montáž

### Pripojte podporné hadice a rukoväť Obrázok 1 2

1. Zasuňte podpery (1,A) do otvorov. Zarovnajte a pripevnite pomocou skrutiek (1,B). Počas uťahovania dbajte na zarovnanie.
2. Rukoväť (2,A) priložte k podperám a zarovnajte otvory.
3. Poistné skrutky (2,B) zasuňte do otvorov z vnútornej strany zariadenia, nasadte na ne plastové matice (2,C) a pritiahnite.

### Funkcie a ovládacie prvky Obrázok 3

A	Pišťol'	G	Elektrický kábel s chráničom PRCD
B	Tryska 7 v 1	H	Identifikačné označenie
C	Držiak príslušenstva	J	Prívod vody
D	Nádrž na čistiaci prostriedok	K	Vysokotlakový výpusť
E	Hlavný vypínač	L	Adaptér trysky
F	Vysokotlaková hadica		

## Prevádzka

### Pripojenie hadice a zdroja vody k čerpadlu

#### Obrázok 3 4 6

**UPOZORNENIE** Používajte VÝLUČNE studenú vodu (s teplotou do 38°C (100°F)).

1. Privijte visokotlačno cev (3,F) v pištolo (3,A).
2. Pripevnite modrú vysokotlakovú hadicu (3,F) k odtoku vody (3,K) a utiahnite.
3. Uistite sa, že do súpravy prívodu vody je nainštalované prívodné sitko a čierne gumené tesnenie (4,A).
4. Pripojte súpravu prívodu vody (4,B) k prívodnému otvoru a utiahnite.

**UPOZORNENIE** Najlepšie výsledky dosiahnete, ak budete prístroj pripájať IBA k zdrojom vody, ktoré dokážu dodať tlak vyšší než 5 GPM (18,9 l) a 25-75 psi (1,72 - 5,17 bar), merané na konci záhradnej hadice pri čističi.

5. Záhradnú hadicu pred použitím prepláchnite vodou.

**UPOZORNENIE** Používanie spätnéj klapky pri privode čerpadla by mohlo mať za následok jeho poškodenie. Medzi spätnou klapkou a čističom musia byť najmenej 3 (10 ft.) m záhradnej hadice bez prekážok.



**VAROVANIE!** Voda, ktorá pretekla cez spätnú klapku sa považuje za nepitnú.

6. K privodu vody pripevnite záhradnú hadicu(4,C) (s maximálnou dĺžkou 15 m (50 ft.)) (4,B) a utiahnite ju.
7. Pustite vodu, namierte pištoľ bezpečným smerom, stlačte tlačidlo zámku spúšte (5,A) a potom samotnú spúšť, čím systém zbavíte vzduchu.
8. Pripevnite adaptér trysky (3,L) na striekáciu pištoľ (3,A). Ručne utiahnite.
9. Stiahnite golier na adaptéri trysky (7,A), vložte trysku 7 v 1 (7,B) a uvoľnite golier. Zatiahnite za koncovku a skontrolujte, či pevne drží na svojom mieste. Vid' časť Tryska 7 v 1.

### Spustenie vysokotlakového čističa Obrázok 3 9



**VAROVANIE!** Striekajúca voda by mohla striekať späť na vás alebo zhodiť predmety a spôsobiť vážne poranenia. Pri používaní tohto zariadenia alebo v jeho blízkosti vždy noste ochranné okuliare s nepriamou ventiláciou (proti ošpliechaniu chemikáliami) vyhovujúce norme ANSI Z87.1.

1. Prepnite hlavný vypínač (3,E) do polohy VYP (0).



**VAROVANIE!** Riziko smrti elektrickým prúdom. **VAROVANIE** Kontakt so zdrojom napájania môže mať za následok zásah elektrickým prúdom, popáleniny, vážne poranenia či smrť. S týmto elektrickým čističom NEPOUŽÍVAJTE predlžovacie káble. Zásuvky a predlžovacie káble vo vašej domácnosti nemusia byť vybavené prúdovými chráničmi, ktoré vám môžu zachrániť život.

2. Zapojte elektrický kábel (3,G) do vyhradeného elektrického obvodu s nominálnym napätím 220 - 240 V AC a 10 A, ktorý je nainštalovaný v súlade so všetkými miestnymi normami a nariadeniami. Tento obvod nemá zásobovať žiadne iné elektrické zariadenia.
3. Stlačte tlačidlo RESET (8,C). Indikátor (8,B) by mal svietiť.

**UPOZORNENIE** Aby mohol elektrický tlakový oznámeniečistič fungovať, indikátor musí svietiť.

4. Stlačte tlačidlo TEST (8,A). Indikátor (8,B) by nemal svietiť.
5. Stlačte tlačidlo RESET (8,C). Indikátor (8,B) by mal svietiť.



**VAROVANIE!** Riziko smrti elektrickým prúdom. Nefunkčný chránič PRCD môže mať za následok smrť alebo zranenie. Ak indikátor po teste a resetovaní nesvieti, PRCD nepoužívajte.

6. Prepnite hlavný vypínač do polohy ZAP (I).
7. Namierte pištoľ bezpečným smerom, stlačte tlačidlo zámku spúšte a stlačte spúšť.

Pri stlačení a uvoľnení spúšte striekacej pištole sa motor zapne a vypne.

## Tryska 7v1 Obrázok 11

Tryska 7v1 umožňuje prepínať medzi siedmymi rôznymi typmi striekania. Pred zmenou režimu striekania uvoľnite spúšť striekacej pištole a aktivujte bezpečnostný zámok.

1. Vyberte požadovaný typ striekania:
  - Zvoľte typ Maximum 0° (A) na ťažko dostupné povrchy, ako napríklad povrchy pre druhý náter, odstránenie farby, olejové škvry, odstránenie hrdze alebo iné ťažko odstrániteľné látky (decht, guma, vazelína, vosk, atď).
  - Zvoľte typ General 15° (B) pre náročné čistiace úlohy. Ideálne pre odstraňovanie mastnoty a špiny z pevných povrchov. Taktiež je možné odstraňovanie farby pri 45 ° uhle.
  - voľte typ 40° (C) pre jemné čistenie áut, člnov, rekreačných vozov, záhradného nábytku, záhradných doplnkov a pod.
  - Zvoľte typ Fan Spray (D) pre optimálne odstraňovanie slabších nečistôt a usadenín s veľkým prúdom.
  - Zvoľte typ Fan Spray with Soap (F) pre čistenie jemných povrchov áut, dodávok, hračiek, záhradného nábytku a pod.
  - Zvoľte typ Extended Reach (G) pre rýchle čistenie veľkým tokom a čistenie vzdialených povrchov obkladov a okien na vyššom poschodí.
  - Zvoľte typ Extended Reach with Soap (H) na naniesenie mydla na obklad a okná na vyššom poschodí.
2. Otáčajte, kým nie je požadovaný typ v línii so šípku na tryske 7 v 1.

### Tipy na použitie

- Najúčinnšie čistenie dosiahnete zo vzdialenosti 20 až 61 cm (8 až 24 palcov) od čisteného povrchu.
- Ak koncovku priložíte príliš blízko, najmä pokiaľ používate vysokotlakovú koncovku, môžete čistený povrch poškodiť.
- Pneumatiky čistíte zo vzdialenosti NAJMENEJ 15 cm (6 in).

### Používanie čistiaceho prostriedku Obrázok 3



**VAROVANIE!** Chemikálie môžu spôsobiť popáleniny s následkom smrti alebo vážnych poranení. NEPOUŽÍVAJTE žieravé kvapaliny.

Používajte IBA čistiace prostriedky/mydlá vhodné do vysokotlakových čističov. Postupujte podľa pokynov výrobcu.

#### Pri aplikovaní čistiaceho prostriedku postupujte podľa nasledujúcich pokynov:

1. Odstráňte viečko nádržky na čistiaci prostriedok (D) a naplňte ju roztokom čistiaceho prostriedku. Vráťte viečko na miesto.
2. Uistite sa, že na tryske 7 v 1 je zvolená jedna z trysiek pre aplikáciu čistiaceho prostriedku.

**UPOZORNENIE** Čistiaci prostriedok nie je možné aplikovať pomocou vysokotlakových trysiek (červenej, maximum, všeobecnej, jemnej, vejárovitej a s predĺženým dosahom).

3. Čistiaci prostriedok aplikujte dlhými, rovnomernými a prekrývajúcimi sa ťahmi na suchý povrch. Začnite v spodnej časti a postupujte smerom nahor.
4. Pred umývaním a oplachovaním nechajte čistiaci prostriedok „vsiaknuť“ podľa pokynov výrobcu.

## Oplachovanie vysokotlakovým čističom

1. Zvoľte si vysokotlakovú trysku.



**VAROVANIE!** Spätný ráz pištole môže spôsobiť pád s následkom smrti alebo vážnych zranení. Pri používaní vysokotlakového čističa stojte na rovnom povrchu. Ak musíte pri používaní vysokotlakového čističa stáť na rebriku, lešení alebo podobne, pracujte so zvýšenou opatrnosťou. Pri používaní vysokého tlaku pištoľ pevne uchopte oboma rukami, aby ste predišli poraneniu v dôsledku spätného nárazu pištole.

2. Vysoký tlak aplikujte na malú plochu a skontrolujte, či nedošlo k poškodeniu povrchu. Ak k žiadnemu poškodeniu nedošlo, pokračujte v oplachovaní.
3. Začnite v hornej časti oplachovanej plochy a pokračujte smerom nadol rovnomernými a prekrývajúcimi sa ťahmi, ako pri čistení.

### Spustenie vysokotlakového čističa Obrázok 3

1. Uvoľnite spúšť striekacej pištole.
2. Prepnite hlavný vypínač (E) do polohy VYP (0).

**UPOZORNENIE** Uvoľnením vypínača vypnete motor, ale prístroj bude aj naďalej napájaný elektrickou energiou.

3. Odstavte prívod vody.
4. VŽDY namierte pištoľ bezpečným smerom, stlačte tlačidlo zámku spúšte a stlačte spúšť, aby sa uvoľnil nahromadený tlak.



**VAROVANIE!** Vysokotlakový prúd vody, ktorý toto zariadenie vytvára, môže prerezať kožu a tkanivá pod ňou a spôsobiť vážne poranenie a možnú amputáciu. Pokiaľ je systém pod tlakom, vysokotlakovú hadicu ponechajte pripojenú k čerpadlu a pištoľi. NEDOVOLTE DEŤOM obsluhu a hry s vysokotlakovým čističom. Po vypnutí tlakového čističa VŽDY namierte pištoľ bezpečným smerom, stlačte tlačidlo zámku spúšte a stlačte spúšť, aby sa uvoľnil nahromadený tlak.

5. Odpojte zástrčku s PRCD (G) zo zásuvky, stočte napájací kábel a umiestnite ho na spodný hák na paneli s príslušenstvom.
6. Vysokotlakovú hadicu stočte a umiestnite na vrchný hák na paneli s príslušenstvom.
7. Červenú vysokotlakovú trysku uchovávajte na konci adaptéra. Striekaciu pištoľ, adaptér a trysku 7 v 1 skladujte na paneli s príslušenstvom.

### Po každom použití

Voda by nemala v zariadení ostávať dlhodobo. Usadeniny a minerály môžu spôsobiť zanesenie častí čerpadla a spôsobiť jeho zaseknutie. Po každom použití postupujte podľa týchto pokynov:

1. Tlakový čistič nechajte bežať s tryskou na aplikáciu čistiaceho prostriedku, kým sa nádržka nevyprázdni.
2. Do nádržky na čistiaci prostriedok nalejte 0,5 litra vody a nechajte čistič bežať s tryskou na aplikáciu čistiaceho prostriedku. Preplachujte jednu až dve minúty.
3. Prepnite hlavný vypínač do polohy VYP (0). Odpojte napájací kábel z elektrickej zásuvky.
4. Odstavte prívod vody. Pištoľ namierte bezpečným smerom, stlačte tlačidlo zámku spúšte a stlačte spúšť, čím uvoľníte nahromadený tlak.

5. Odpojte záhradnú hadicu od prívodu vody. Odpojte vysokotlakovú hadicu od pištole a vysokotlakového odtoku vody.
6. Nechajte vodu odtiecť z hadice a striekacej pištole a utrite vonkajšie povrchy.
7. Nakloňte zariadenie na pravú stranu (prívod vody smeruje dolu) a nechajte vodu odtekať z čerpadla asi dve minúty. Zariadenie prevráťte a nechajte ležať na odtoku vody ďalšie dve minúty.
8. Vysokotlakovú hadicu stočte a umiestnite na vrchný hák na paneli s príslušenstvom.
9. Stočte napájací kábel a umiestnite ho na spodný hák na paneli s príslušenstvom. Striekaciu pištoľ, adaptér a trysku 7 v 1 skladujte na paneli s príslušenstvom.
10. Zariadenie uložte na čistom, suchom mieste.
11. Pri skladovaní po dobu dlhšiu ako 30 dní si preštudujte časť Skladovanie.

## Údržba

### Všeobecné odporúčania

Pravidelná údržba zlepší výkonnosť a predĺži životnosť zariadenia. Údržbu nechajte vykonať u autorizovaného zástupcu Briggs & Stratton. **NEDOVOLTE** deťom čistenie a údržbu vysokotlakového čističa bez dozoru.

Záruka na tento vysokotlakový čistič sa nevzťahuje na udalosti spôsobené zlým zaobchádzaním, alebo nedbanlivosťou obsluhy. Aby bolo možné získať plné záručné plnenie, prevádzkovateľ musí čistič udržiavať podľa pokynov v tomto návode vrátane správneho skladovania podľa popísaného v časti *Skladovanie*.



**VAROVANIE!** Aby sa zabezpečila bezpečnosť stroja, používajte len originálne náhradné diely pochádzajúce od výrobcu alebo schválené výrobcom. V prípade otázok týkajúcich sa výmeny komponentov vášho vysokotlakového čističa navštívte našu webovú lokalitu na adrese [BRIGGSandSTRATTON.COM](http://BRIGGSandSTRATTON.COM). Ak je kábel poškodený, obráťte sa na autorizované servisné stredisko spoločnosti Briggs & Stratton.

### Údržba trysky

V prípade nadmerného tlaku čerpadla z dôvodu upchatej koncovky postupujte podľa nasledujúcich pokynov:

1. Prepnete hlavný vypínač do polohy VYP (0). Odpojte napájací kábel z elektrickej zásuvky.
2. Odstráňte trysku 7v1 z tryskového nadstavca.
3. Pomocou kancelárskej sponky odstráňte cudzí materiál upchávajúci alebo obmedzujúci prietok koncovkou.
4. Trysku 7v1 namontujte späť na tryskový nadstavec.

### Údržba tesniacich krúžkov **Obrázok 10**

Používanie mazív (petroleja alebo syntetických mazív) napomáha usadeniu tesniacich krúžkov, vďaka čomu lepšie tesnia. Pred pripojením vysokotlakovej hadice (**A**), vysokotlakovej hadice (**B**), pištole (**C**) a adaptéra tyrsy (**D**) aplikujte na tesnenia mazivo.

Súpravu na údržbu tesniacich krúžkov si objednáte u autorizovaného predajcu spoločnosti Briggs & Stratton. Netesné spoje **NEOPRAVUJTE** žiadnym druhom tmelu. Vymeňte tesniaci krúžok alebo tesnenie.

### Výmeny poistky **PRCD** **Obrázok 11**



**VÝSTRAHA!** Aby sa znížilo riziko vzniku požiaru, poistku vymeňte iba za 13 A poistku BS 1362.

Ak je poistka súčasťou PRCD:

1. Nájdite poistku na strane s kolíkmi zástrčky PRCD.
2. Pomocou plochého skrutkovača odstráňte kryt (**A**) a zostavu poistky. Odstráňte poistku (**B**) z krytu. Vymeňte poistku za 13 A poistku BS 1362.
3. Vložte kryt a zostavu poistky.

## Skladovanie

Postupujte podľa krokov 1-10 v časti *Po každom použití*. **UPOZORNENIE** Voda, ktorá zostane v čerpadle, môže zamrznúť a čerpadlo trvalo poškodiť. Na poškodenie mrazom sa nevzťahuje záruka.

### Ochrana čerpadla

Aby sa zabezpečila ochrana motora pred usadeninami minerálov alebo zamrznutím použite prostriedok PumpSaver na zabránenie poškodeniu mrazom a na namazanie piestov a tesnení.

**UPOZORNENIE** Nezabezpečenie ochrany zariadenia pred mrazom bude mať za následok poškodenie čerpadla a znefunkčnenie zariadenia. Na poškodenie mrazom sa nevzťahuje záruka.

### Pokyny na skladovanie

1. Vysokotlakovú hadicu stočte a umiestnite na vrchný hák na paneli s príslušenstvom.
2. Stočte napájací kábel a umiestnite ho na spodný hák na paneli s príslušenstvom.
3. Striekaciu pištoľ, adaptér a trysku 7 v 1 skladujte na paneli s príslušenstvom
4. Prístroj prikryte vhodným ochranným krytom, ktorý nezadržiava vlhkosť, a skladujte v čistom a suchom prostredí chránenom pred mrazom.

## Riešenie problémov

Problém	Príčina	Náprava
Čerpadlo má nasledovné problémy: nedokáže vyprodukovať tlak, tlak je nestály, trasenie, strata tlaku, malý objem vody.	<ol style="list-style-type: none"> <li>1. Prívod vody je upchatý.</li> <li>2. Nedostatočný prívod vody.</li> <li>3. Prívodná hadica je zalomená alebo netesní.</li> <li>4. Upchané prívodné sitko.</li> <li>5. Koncovka je upchatá.</li> </ol>	<ol style="list-style-type: none"> <li>1. Vyčistite prívod.</li> <li>2. Zabezpečte dostatočný prívod vody.</li> <li>3. Záhradnú hadicu vyrovnajte alebo vymeňte, ak netesní.</li> <li>4. Vyčistite alebo vymeňte prívodné sitko.</li> <li>5. Koncovku vyčistite.</li> </ol>
Prístroj sa nespustí pri stlačení spúšte pištole.	<ol style="list-style-type: none"> <li>1. Nie je zapnutý prívod vody.</li> <li>2. Prístroj nie je zapnutý.</li> <li>3. Záhradná hadica je príliš dlhá.</li> <li>4. Prepálená poisťka alebo aktivovaný prerušovač obvodu.</li> </ol>	<ol style="list-style-type: none"> <li>1. Odstavte prívod vody.</li> <li>2. Prepnite hlavný vypínač do polohy ZAP (I). Resetujte PRCD.</li> <li>3. Používajte iba záhradnú hadicu o maximálnej dĺžke 15,24 m (50 stôp).</li> <li>4. a.) Vymeňte poisťku alebo resetujte prerušovač obvodu.</li> <li>5. b.) Odpojte ďalšie elektrické spotrebiče a vypnite svetlá zapojené v obvode, alebo pracujte na vyhradenom obvode. c.) Nechajte 5 minút bežať s turbo tryskou.</li> </ol>
Čistiaci prostriedok sa nezmiešava s vodou.	<ol style="list-style-type: none"> <li>1. Nainštalovaná je vysokotlaková tryska.</li> <li>2. Tlak vody na prívode je príliš vysoký.</li> </ol>	<ol style="list-style-type: none"> <li>1. Inštalujte trysku.</li> <li>2. Pomaly zatvárajte ventil zdroja vody, kým sa chemikália nezačne plniť.</li> </ol>
Spoje hadice netesnia.	<ol style="list-style-type: none"> <li>1. Záhradná hadica je uvoľnená v spoji s prívodom vody.</li> <li>2. Spoje vysokotlakovej hadice sú uvoľnené.</li> <li>3. Poškodené tesnenie.¶</li> </ol>	<ol style="list-style-type: none"> <li>1. Ručne utiahnite záhradnú hadicu.</li> <li>2. Odstráňte hadicu a nasadte ju znova.</li> <li>3. Vymeňte tesnenie.</li> </ol>

V prípade akýchkoľvek ďalších problémov sa obráťte na autorizovaného predajcu spoločnosti Briggs & Stratton.

## Technické parametre

Povolený tlak	MPa/BAR/PSI	16,0/160/2,320*
Maximálny prietok	LPM/GPM	15,0/4,0*
Nominálny tlak a prietok	MPa/BAR/PSI @ LPM/GPM	12/120/1740 @ 5,5/1,45
Teplota zdroja vody	°C/°F	38/100
Nominálne napätie	V	220 - 240
Nominálna frekvencia	Hz	50/60
Spotreba energie	W	2,500
Prúd	A	9,0
Trieda ochrany	Trieda	Trieda II
Stupeň ochrany	IP xx	IPX5
Vibrácie ruka - rameno $a_{hd}$ Neurčitosť merania K	$m/s^2$ $m/s^2$	$\leq 2,5^*$ $0,2^*$
Úroveň tlaku $L_{pA}$ Neurčitosť merania $K_{pA}$	dB(A) dB(A)	$74^*$ $2^*$
Hladina akustického výkonu $L_{WA}$	dB(A)	$94^*$
Zajamčena raven zvočne moči $L_{WA,d}$	dB(A)	$96^*$

\* Podľa EN 60335-2-79: 2012.

## Izjava ES o skladnosti

### Lavorwash spa

Via J.F.Kennedy, 12 – 46020 Pegognaga (MN) – Italija

Za izdajo te izjave o skladnosti je odgovoren izključno proizvajalec. Izdelki, navedeni v tem dokumentu, so v skladu z ustrežno usklajevalno zakonodajo EU in lahko nosijo oznako CE. Ti modeli so v skladu z naslednjimi direktivami in povezanimi standardi.

**Izdelek:** Visokotlačni čistilnik

**Model – tip:** BPW1800PX

#### Direktive EU

2006/42/EC (+2009/127/EC)

2006/95/EC

2004/108/EC

2000/14/EC (+2005/88/EC)

2011/65/EU (+2015/863/EU)

2014/35/EU ≥ 2016-04-20

2014/30/EU ≥ 2016-04-20

#### Standardi

EN 60335-1:2012

EN 60335-2-79:2012

EN 62233:2008

EN 55014-1:2006+A1:2009+A2:2011

EN 55014-2:1997+A1:2001+A2:2008

EN 61000-3-2:2006+A1:2009+A2:2009

EN 61000-3-3:2013

EN 50581:2012

#### Raven moči zvoka

Izmerjeno dB(A): **94**

Garantirano dB(A): **96**

2000/14/EC: Naprava je definirana s št. 27 Aneks I. postopka za oceno skladnosti v skladu z Aneksom V.

Tehnična datoteka je shranjena v podjetju Lavorwash spa, via J.F.Kennedy, 12 - 46020 Pegognaga (MN) – Italija.

Lavorwash S.p.A

via J.F.Kennedy, 12

46020 Pegognaga

(MN) - Italy Pegognaga, October 15, 2015



Giancarlo Lanfredi

Generalni direktor

sk

### OBMEDZENÁ ZÁRUKA

Spoločnosť Briggs & Stratton zaručuje, že počas záručnej doby uvedenej nižšie bezplatne opraví alebo vymení akúkoľvek súčiastku, ktorá je chybná z dôvodu chyby materiálu, výroby alebo oboch dôvodov. Prepravné náklady výrobku predloženého na opravu, alebo výmenu, podľa tejto záruky, musí niesť kupujúci. Táto záruka platí počas doby a za podmienok stanovených nižšie. Za účelom vykonania záručného servisu vyhľadajte najbližšieho autorizovaného servisného predajcu pomocou našej mapy na vyhľadávanie predajcov na adrese BriggsandStratton.com. Kupujúci sa musí obrátiť na autorizovaného servisného predajcu a poskytnúť mu produkt na kontrolu a testovanie.

**Neexistuje žiadna iná výslovná záruka. Implikované záruky, vrátane záruk predajnosti a vhodnosti na konkrétny účel, sú obmedzené na záručnú dobu uvedenú ďalej, alebo v rozsahu povolenom zákonom. Zodpovednosť za náhodné alebo následné škody je vylúčená v rozsahu vylúčenia dovoleného legislatívne.** Niektoré štáty, alebo krajiny, neumožňujú obmedzenia doby platnosti implikovanej záruky a niektoré štáty a krajiny neumožňujú vylúčenie, alebo obmedzenie neúmyselných, alebo následných škôd, takže vyššie uvedené obmedzenie a vylúčenie pre vás nemusí platiť. Táto záruka vám poskytuje špecifické legislatívne ustanovené práve a taktiež môžete mať iné práva, ktoré môžu byť v každom štáte alebo krajine rozdielne.\*\*

### ZÁRUČNÁ DOBA

Spotrebiteľské použitie	Priemyselné použitie
12 mesiace	Žiadne

\*\* V Austrálii – Náš tovar sa dodáva so zárukami, ktoré nemôžu byť vylúčené podľa austrálskeho práva na ochranu spotrebiteľov. Máte nárok na výmenu alebo vrátenie peňazí v prípade závažnej poruchy a na náhradu primerane predvídateľných strát alebo škôd. Tiež máte nárok na opravu alebo výmenu tovaru, ak opravený alebo vymenený tovar nedosahuje prijateľnú kvalitu, aj ak porucha takéhoto tovaru nepredstavuje zásadnú poruchu. Ak potrebujete vykonať záručný servis, vyhľadajte najbližšieho autorizovaného servisného predajcu pomocou našej mapy na vyhľadávanie predajcov na adrese , zavolajte na číslo 1300 274 447, pošlite e-mail na adresu salesenquires@briggsandstratton.com.au alebo list na adresu Briggs & Stratton Australia Pty Ltd, 1 Moorebank Avenue, NSW, Australia, 2170.

Záručná doba začína plynúť odo dňa zakúpenia prvým maloobchodným alebo komerčným zákazníkom. „Spotrebiteľské používanie“ znamená používanie maloobchodným spotrebiteľom v rámci osobného, domáceho použitia. „Komerčné používanie“ znamená všetky ostatné použitia, vrátane používania pre komerčné účely, zárobkovú činnosť alebo pre účely prenajímania. Ak sa výrobok začne používať na komerčné účely, bude v prípade tejto záruky považovaný za výrobok používaný komerčne.

Aby sa zabezpečilo rýchle a kompletne záručné pokrytie, zaregistrujte svoj produkt na vyššie uvedenej webovej stránke alebo na [www.onlineproductregistration.com](http://www.onlineproductregistration.com),

alebo poštou zašlite vyplnenú registračnú kartu (ak je k dispozícii), alebo volajte 1-800-743-4115 (v USA).

Uchovajte si doklad o nákupe. Ak pri reklamácií nepredložíte bloček s dátumom nákupu, tak na určenie záručnej doby bude použitý dátum výroby výrobku. Registrácia produktu nie je povinná pre získanie záručného servisu na výrobky od spoločnosti Briggs & Stratton.

### O VAŠEJ ZÁRUKU

Záručný servis je k dispozícii len prostredníctvom autorizovaných servisných predajcov spoločnosti Briggs & Stratton. Väčšina záručných opráv je zvládnutá rutinným spôsobom, ale niekedy reklamácie môžu byť neopodstatnené. Táto záruka sa vzťahuje jedine na materiálové a výrobné chyby. Nevzťahuje sa na poškodenia spôsobené nesprávnym používaním alebo zlým zaobchádzaním s výrobkom, nesprávnou údržbou alebo nepravým vykonaním opravy, bežným opotrebovaním, alebo používaním starého alebo neschváleného paliva.

**Nesprávne používanie a zlé zaobchádzanie** - Správne používanie v súlade s účelom používania tohto výrobku je popísané v návode na obsluhu. Používanie výrobku spôsobom, ktorý nie je popísaný v návode na obsluhu alebo používanie výrobku po tom, ako došlo k jeho poškodeniu spôsobí okamžité ukončenie platnosti záruky. Uplatnenie záruky nie je dovolené pokiaľ došlo k odstráneniu sériového čísla z výrobku alebo pokiaľ bol výrobok upravovaný alebo pozmeňovaný akýmkoľvek spôsobom, pokiaľ je v prípade výrobku zrejme zlé zaobchádzanie, ako je napríklad poškodenie v dôsledku nárazu, alebo pokiaľ je zrejme poškodenie v dôsledku korózie spôsobenej vodou/chemikáliami.

**Nesprávna údržba alebo oprava** - Na výrobku sa musí uskutočňovať údržba podľa postupov a rozvrhov v návode na obsluhu a servis alebo opravy výrobku môžu byť realizované len použitím originálnych dielov spoločnosti Briggs & Stratton, alebo rovnocenných dielov. Na poškodenia spôsobené nedostatočnou údržbou alebo používaním neoriginálnych dielov sa záruka nevzťahuje.

**Bežné opotrebovanie a poškodenie** – Podobne ako väčšina strojových zariadení, aj váš stroj podlieha bežnému opotrebovaniu aj v prípade správnej údržby. Táto záruka sa nevzťahuje na opravy v prípade, ak bežné používanie skrátilo životnosť výrobku alebo súčiastky zariadenia. Na vykonávanie údržby položiek podliehajúcich opotrebovaniu, ako sú filtre, remene, sečné čepele a brzdové obloženie (aj brzdové obloženie motora), sa nevzťahuje záruka, a to vzhľadom k samotným charakteristikám opotrebovania, pokiaľ ich príčinou nie je materiálová alebo výrobná chyba.

**Staré alebo neschválené palivo** – Kvôli správne fungovaniu tento výrobok vyžaduje používanie čerstvého paliva, ktoré vyhovuje kritériám uvedeným v návode na obsluhu. Na poškodenie motora alebo zariadení spôsobené starým palivom alebo použitím neschválených palív (napr. zmesi etanolu E15 alebo E85) sa nevzťahuje záruka.

**Ďalšie obmedzenia** - Táto záruka sa nevzťahuje na poškodenie následkom nehody, zlého zaobchádzania, úprav, zmien, nesprávnej údržby, zamrznutia alebo chemického poškodenia. Zo záruky sú tiež vylúčené prídavné zariadenia a príslušenstvo, ktoré neboli pôvodne súčasťou balenia výrobku. Neexistuje žiadne záručné krytie zariadení, ktoré sa používajú na primárnu dodávku energie namiesto dodávanej energie, ani zariadení, ktoré sa používajú v aplikáciách na záchranu alebo podporu života. Táto záruka nezahŕňa zariadenie alebo motory, ktoré sú použité, repasované, z druhej ruky, alebo predvádzacie. Táto záruka vylučuje poškodenia spôsobené božou mocou a inými vyššími mocami, ktoré výrobca nedokáže ovládať.

## Kazalo vsebine

Varnostni in kontrolni simboli	4
Opis naprave	4
Sestavljanje	5
Funkcije in kontrolniki	5
Uporaba	5
Vzdrževanje	7
Skladiščenje	7
Odpravljanje težav	8
Specifikacije	8
Garancija	10

## Varnostni in kontrolni simboli

Varnostna oznaka lahko predstavlja tudi vrsto nevarnosti.

**VAROVANIE** nakazuje tveganje, ki lahko povzroči smrt ali težke poškodbe, če se mu ne izognete. **OBVESTILO** opozarja na posege, ki niso povezani z osebnimi poškodbami.



Preberite priročnik



Nepitná voda



Vbrizg goriva



Vozidlo



Pozar



Vbrizg goriva



Padec



Leteči deli



Symbol bezpečnostnej výstrahy



Vklon



Izklop



Kemična opeklna



Striekacou pištoľou nikdy nemierte na seba, na iných alebo na zvieratá. Nikdy nestriekajte v blízkosti zdroja napätia alebo zariadenia samotného.

Ta stroj ni namenjen za uporabo s strani oseb (vključno z otroki) z zmanjšanimi telesnimi, čutnimi ali duševnimi sposobnostmi ali pomanjkanjem izkušenj in znanja, razen če dobijo navodila o varni uporabi in če razumejo vključene nevarnosti.

### VAROVANIE

- Tento stroj je určený na používanie s čističimi prostriedkami dodanými alebo odporúčanými výrobcem. Používanie iných čističích prostriedkov alebo chemikálií by mohlo mať negatívny vplyv na jeho bezpečnosť.
- Vysokotlakové prúdy môžu byť v prípade nesprávneho používania nebezpečné. Prúd sa nesmie nasmerovať na osoby, elektrické zariadenia pod prúdom alebo na zariadenie samotné.

- Stroj nepoužívajte v blízkosti iných osôb, pokiaľ nepoužívajú ochranný odev.
- Prúd nemierte na seba ani na iných, aby ste vyčistili odev alebo obuv.
- Nebezpečenstvo výbuchu – nestriekajte horľavé kvapaliny.
- Vysokotlakové čističe by nemali používať deti a nevyškolený personál.
- Aby sa zaistila bezpečnosť stroja, odporúčajú sa vysokotlakové hadice, armatúry a spoje. Používajte iba hadice, armatúry a spoje odporúčané výrobcem.
- Aby sa zaistila bezpečnosť stroja, používajte len originálne náhradné diely pochádzajúce od výrobcu alebo schválené výrobcem.
- Voda, ktorá pretiekla cez spätnú klapku sa považuje za nepitnú.
- Počas čistenia, údržby alebo výmeny dielov odpojte napájací kábel zo siete.
- Ak je kábel alebo dôležité časti stroja (napr. bezpečnostné poistky, vysokotlakové hadice, pištoľ) poškodené, nepoužívajte ho.
- Tento elektrický vysokotlakový čistič nezapájajte do siete pomocou predlžovacieho kábla.
- Ak nechávate stroj bez dozoru, vždy vypnite hlavný vypínač.

## Opis naprave



Seznajte se s tem priročnikom in visokotlačnim čistilcem. Poznajete uporabo, omejite in vsa povezana tveganja. Shranite ta izvorna navodila za poznejšo uporabo.

Ta električni visokotlačni čistilec deluje pri največ 12,0 MPa (120 BAROV ali 1.740 PSI (funtov na kvadratni inč)) in s pretokom do 15,00 LPM (litrov na minuto) (4,0 GPM galon na minuto)). Strojeno je bilo vse, da so podatki v tem priročniku točni in veljavni. Vendar pa si pridržujemo pravico do spremembe ali drugačne izboljšave izdelka in tega dokumenta brez predhodnega obvestila.

**OBVESTILO** Če imate vprašanja o namenski uporabi, vprašajte preprodajalca ali se obrnite na pooblaščen servisni center. NIKOLI ne uporabljajte enot z zlomljenimi ali manjkajočimi deli oz. brez zaščitnega ohišja ali pokrovov. NE zaobidite varnostnih naprav tega stroja. NE modificirajte visokotlačnega čistilca. Ta oprema je zasnovana za uporabo **SAMO** s pooblaščenimi električnimi deli podjetja Briggs & Stratton.

### Tehnologija POWERflow+™

Tehnologija POWERflow+ podjetja Briggs & Stratton je sistem komponent, ki skupaj nudijo visoko pretočno kapaciteto. Moč tehnologije POWERflow+ se skriva v črpalki z dvema ločenima načinoma čiščenja: visok tlak in visok pretok, ki izboljša čiščenje z povečanim dosegom, električnim miljenjem in hitrejšim izpiranjem.

### Prenosna naprava za zaščito pred preostalim tokom

Ta čistilnik je opremljen s prenosno napravo za zaščito pred preostalim tokom (PRCD), ki je vgrajena v vtič napajalnega kabla. Ta naprava zagotavlja dodatno zaščito pred nevarnostjo električnega udara. PRCD zagotavlja 10 mA zaščite.

## Samodejen izklop

Senzor bo ugasnil motor, ko se sprožilo pištole sprosti ali zaklene. Če motor še vedno deluje, ko je sprožilo pištole sproščeno ali zaklenjeno, **NAPRAVE NE UPORABLJAJTE**. Obrnite se na pooblaščenega trgovca Briggs & Stratton.

**OPOMBA** Stikalo za vklop/izklop mora biti vedno v položaju OFF ((IZKLOP) 0), ko čistilca ne uporabljate.

## Preobremenitev motorja

Naprava za zaščito pred obremenitvijo samodejno izklopi motor, če se pregreje ali prejema prekomeren tok. Če se naprava sproži, odklopite napajanje s preklopom glavnega stikala ON/OFF (VKLOP/IZKLOP) v položaj OFF (0) (IZKLOP). Počakajte 30 minut, da se enota ohladi, in preklopite stikalo ON/OFF (VKLOP/IZKLOP) v položaj ON (I) (VKLOP).

## Likvidácia v EU



Tento symbol znamená, že majiteľ batérií a elektrických alebo elektronických zariadení nesmie tento výrobok zlikvidovať spolu s komunálnym odpadom. Tento výrobok musí byť zlikvidovaný vo vhodnom likvidačnom zariadení. Ak potrebujete viac informácií o likvidácii, kontaktujte, prosím, spoločnosť Briggs & Stratton alebo miestneho predajcu.

## Sestavljanje

### Povezovanje opornih cevi in ročaja Slika 1 2

1. Zdrsnete opore (1,A) v reže. Poravnajte in pritrdite z vijaki (1,B). Med pritegovanjem pazite na poravnavo.
2. Namestite ročico (2,A) na podpornike in poravnajte luknje.
3. Vstavite (2,B) inbus vijake skozi luknje s smeri zadnjega dela enote, pripnite plastične ročaje (2,C) in jih privijte.

### Funkcije in kontrolniki Slika 3

A	Razpršilna pištola	G	Električni kabel s PRCD
B	Šoba 7 v 1	H	Identifikacijska oznaka
C	Pladenj za dodatke	J	Dovod za oskrbo z vodo
D	Rezervoar za detergent	K	Visokotlačni odvod
E	Glavno stikalo za vklop/izklop	L	Podaljšek šobe
F	Visokotlačna cev		

## Uporaba

### Priključitev cevi in dovoda za vodo Slika 3 4 6

**OBVESTILO** Uporabite SAMO mrzlo vodo (manj kot 38 °C (100°F)).

1. Našraubujte visokotlačkovú hadico (3,F) na pištoľ (3,A).
2. Pritrdite modro visokotlačno cev (3,F) na odvod (3,K) in pritegnite.
3. Preverite zaslon dovoda vode in ali je tesnilo iz črne gume nameščeno priključek dovoda vode (4,A).
4. Vstavite priključek dovoda vode (4,B) v dovod in pritegnite.

**OPOMBA** Za najboljšo zmogljivost povežite LE z vodnim virom, ki lahko zagotavlja več kot 5 GPM (18,9 l) in 25-75 psi (1,72-5,17 bara) na konci vrtni cevi na električnem tlačnem čistilcu.

5. Spustite vodo po vrtni cevi, da očistite umazanijo.

**OBVESTILO** Uporaba preprečevalnika povratnega toka na dovodu črpalke lahko poškoduje črpalko. Med dovodom visokotlačnega čistilca in preprečevalnikom povratnega toka MORA biti vsaj 3 m (10 ft.) neovirane vrtni cevi.



**OPOZORILO** Voda, ki teče skozi preprečevalnik povratnega toka, je označena za neprenosljivo.

6. Priključite vrtno cev (4,C) ((ta ne sme biti daljša od 15 m (50 ft.)) na dovod za vodo (4,B) in jo privijte.
7. VKLOPITE vodo, usmerite pištoľ v varno smer, gumb blokade zakona (5,A) in pritisnite sprožilec, da spustite zrak iz sistema.
8. Pritrdite podaljšek šobe (3,L) na razpršilno pištoľ (3,A). Pritegnite z roko.
9. Povlecite prirobnico podaljška šobe (7,A), vstavite 7-v-1 šobo (7,B) in sprostite prirobnico. Povlecite razpršilno konico in preverite, da je varno pritrjena. Glejte Šoba 7 v 1.

### Zagon visokotlačnega čistilca Slika 3 9



**VAROVANIE!** Razpršilo lahko brizgne nazaj ali v vas zažene predmete in s tem povzroči težjo telesno poškodbo. Pri uporabi ali v bližini te opreme vedno nosite neposredno prezračena varnostna očala (pred kemičnim brizganjem), ki so označena v skladu z ANSI Z87.1.

1. Preklopite glavno stikalo ON/OFF (VKLOP/IZKLOP) (3,E) v položaj OFF (0) (IZKLOP).



**VAROVANIE!** Nevarnost električnega udara Stik z električnim virom lahko povzroči električni udar ali opekline in s tem smrt ali težjo telesno poškodbo. Z električnim tlačnim čistilcem NE uporabljajte podaljška. Vaša domača električna vtičnica ali podaljšek morda ne zagotavljata življenjsko pomembne prenosne naprave za zaščito pred preostalim tokom.

2. Priključite električni napajalni kabel (3,G) v namenski električni tokokrog z nazivno vrednostjo 220 - 240 voltov AC pri 10 amperih, ki je pravilno nameščena v skladu z vsemi lokalnimi predpisi in odloki. Tokokrog ne sme napajati drugih električnih porabnikov.
3. Pritisnite gumb RESET (8,C). Lučka indikatorja (8,B) bi morala biti VKLJUČENA.

**OPOMBA** Za delovanje električnega tlačnega čistilca mora lučka indikatorja SVETITI.

4. Pritisnite gumb TEST (8,A). Lučka indikatorja (8,B) bi morala biti IZKLJUČENA.
5. Pritisnite gumb RESET (8,C). Lučka indikatorja (8,B) bi morala biti VKLJUČENA.



**VAROVANIE!** Nevarnost električnega udara Nedelujoč PRCD lahko povzroči smrt ali telesno poškodbo. Če lučka indikatorja po preizkusu in ponastavitvi ne SVETI, PRCD ne uporabljajte.

6. Preklopite glavno stikalo ON/OFF (VKLOP/IZKLOP) v položaj ON (I) (VKLOP).
7. Usmerite pištoľ v varno smer, pritisnite zaklep za sprožilec in stisnite sprožilec.

Motor se bo zagnal in ustavil, ko pritisnete ali sprostite sprožilo pištole.



## Šoba 7 v 1 Slika 12

Šoba 7 v 1 omogoča preklap med sedmimi različnimi razpršilnimi vzorci. Spustite sprožilec pištole za aktiviranje varnostnega zapaha pred spreminjanjem vzorcev škropljenja.

1. Izberite zelen razpršilni vzorec:

- Izberite maksimalno 0° (**A**) nastavev šobe za trdovratne ali težko dostopne površine kot so površine na drugem nadstropju, odstranjevanje barve, naftnih madežev, odstranjevanje rje ali drugih trdovratnih snovi (katran, gumi, mast, vosek, itd.).
- Izberite splošno 15° (**B**) nastavev šobe za težavnejše čiščenje. Idealno za odstranjevanje maziva ali umazanije s trdih površin. Prav tako primerno za odstranjevanje barve pri držanju pod 45° kotom.
- Izberite nežno 40° (**C**) nastavev šobe za nežno čiščenje avtomobilov/tovornjakov, čolnov, avtodomov, pohištva za verando, opreme za košnjo, itd.
- Izberite razpršilno (**D**) nastavev šobe za optimalno visokotlačno spiranje manjše umazanije in delcev.
- Izberite razpršilno (z milom) (**F**) nastavev šobe za delikatne površine pri čiščenju avtomobilov, tovornjakov, otroške opreme, pohištva za verande itd.
- Izberite nastavev šobe za povečan domet (**G**) za hitro visokotlačno čiščenje in oddaljeno čiščenje oken in stranic v drugem nadstropju.
- Izberite nastavev šobe za povečan domet (z milom) (**H**) za potisk mila v stranice in okna drugega nadstropja.

2. Sukajte številčnico dokler se zelen razpršilni vzorec ne poravna s puščico na šobi 7 v 1.

### Nasveti za uporabo

- Za bolj učinkovito čiščenje držite razpršilno konico med 20 to 61 cm (8 to 24 in.) cm od površine čiščenja.
- Če razpršilno konico držite preblizu, še posebej v primeru visokotlačne razpršilne konice, lahko poškodujete površino, ki jo čistite.
- Pri čiščenju pnevmatik NE držite konico manj kot 15 cm (6 in.) od površine.

### Nanašanje detergenta Slika 3



**VAROVANIE!** Kemikalije lahko povzročijo opekline in s tem smrt ali težjo telesno poškodbo. NE uporabljajte jedko tekočino v visokotlačnem čistilcu.

Uporabljajte SAMO detergente/mila, ki so varna za visokotlačni čistilec. Upoštevajte navodila proizvajalcev.

#### Za nanos detergenta upoštevajte naslednje korake:

1. Odstranite pokrov z rezervoarja za detergent (**D**) in napolnite ga z detergentom. Montirajte pokrov.
2. Zagotovite, da je na šobi 7-v-1 izbran eden izmed načinov razprševanja čistila.

**OPOMBA** Detergenta ni možno uporabljati z visokotlačnimi šobami (maksimum, splošno, nežno, razpršilno ali šoba za povečan domet).

3. Detergent nanosite na suho površino, tako da začnete v spodnjem predelu, ki ga želite oprati, in nadaljujte navzgor z dolgimi prekrivajočimi zamahi.
4. Pred pranjem ali spiranjem pustite, da se detergent „vpije“ v skladu z navodili proizvajalca detergenta.

## Spiranje visokotlačnega čistilca

1. Izberite zeleno visokotlačno šobo.



**VAROVANIE!** Povratni sunek razpršilne pištole lahko povzroči, da padate in s tem posledično smrt ali težjo telesno poškodbo. Visokotlačni čistilec uporabljajte na ravni površini. Bodite izredno pazljivi pri uporabo visokotlačnega čistilca z lestve, delovnega odra ali podobne lokacije. Pri visokotlačnem razprševanju z obema rokama čvrsto primite razpršilno pištolo, da s tem preprečite poškodbo zaradi povratnega sunka razpršilne pištole.

2. Na majhnem območju uporabite visokotlačno razpršilo in preverite, ali je površina poškodovana. Če ta ni poškodovana, nadaljujte s spiranjem.
3. Začnite na vrhu območja, ki ga želite sprati, ter nadaljujte navzdol s prekrivajočimi zamahi kot pri čiščenju.

### Ustavev visokotlačnega čistilca Slika 3

1. Sprostite sprožilo razpršilne pištole.
2. Preklopite glavno stikalo ON/OFF (VKLOP/IZKLOP) (**E**) v položaj OFF (0) (IZKLOP).

**OPOMBA** S sprostitvijo sprožila se bo izklopil motor, ne bo pa izključeno napajanje naprave.

3. Izklopite dovod vode.
4. VEDNO usmerite razpršilno pištolo v varno smer, pritisnite zaklep sprožilca in stisnite sprožilec, da sprostite nakopičen tlak v enoti.



**VAROVANIE!** Visokotlačni curek vode, ki ga proizvede ta oprema, lahko poreže kožo in podkožno tkivo, ter s tem povzroči težjo telesno poškodbo in možno amputacijo. Med vzpostavljanjem tlaka v sistemu mora biti visokotlačna cev priključena na črpalko in razpršilno pištolo. NE dovolite OTROKOM igranje in uporabo visokotlačnega čistilca. VEDNO ko tlačni čistilec izključite, usmerite razpršilno pištolo v varno smer, pritisnite sprožilec razpršilne pištole, da sprostite visok tlak.

5. Odklopite vtič PRCD (**G**) iz vtičnice in navijte napajalni kabel na spodnji kavelj pladnja za dodatno opremo.
6. Navijte visokotlačno cev na zgornji kavelj pladnja za dodatno opremo.
7. Shranite rdečo visokotlačno šobo na konec podaljška šobe. Shranite razpršilno pištolo, podaljšek šobe in 7-v-1 šobo na pladenj za dodatno opremo.

### Po vsaki uporabi

Voda ne sme stati v enoti dlje časa. Usedline in minerali se lahko naložijo na dele črpalke in zamrznejo delovanje črpalke. Po vsaki uporabi upoštevajte naslednje postopke:

1. Tlačni čistilec naj deluje z razpršilno konico s čistilom, dokler rezervoar ni prazen.
2. Dodajte 0,5 litra vode v posodo za detergent in zaženite z razpršilno konico s čistilom. Izpirajte eno do dve minuti.
3. Preklopite glavno stikalo ON/OFF (VKLOP/IZKLOP) v položaj OFF (0) (IZKLOP). Odstranite napajalni vtič iz električne vtičnice.
4. Izklopite dovod vode. Usmerite pištolo v varno smer, pritisnite zaklep za sprožilec in stisnite sprožilec, da sprostite preostali tlak.
5. Odklopite vrtno cev iz dovoda vode. Odklopite visokotlačno cev iz pištole in visokotlačnega odvoda.

- Izpustite vodo iz cevi in razpršilne pištole in obrišite zunanje površine.
- Izpustite vodo iz črpalke tako, da enoto za dve minuti obrnete na desno stran (dovod vode je obrnjen navzdol). Enoto znova obrnite in pustite priključeno na visokotlačnem odvodu za dodatni dve minuti.
- Navijte visokotlačno cev na zgornji kavelj pladnja za dodatno opremo.
- Navijte napajalni kabel na spodnji kavelj pladnja za dodatno opremo. Shranite razpršilno pištolo, podaljšek šobe in 7-v-1 šobo na pladenj za dodatno opremo.
- Napravo skladiščite v čistem in suhem prostoru.
- Če boste enoto skladiščili več kot 30 dni, glejte Skladiščenje.

## Vzdrževanje

### Splošna priporočila

Z rednim vzdrževanjem se izboljša delovanje in podaljša življenjska doba naprave. Za servisno pomoč se obrnite na pooblaščen servis podjetja Briggs & Stratton. NE dovolite otrokom čiščenje ali vzdrževanje brez nadzora.

Garancija te snežne freze ne pokriva situacij, ki so nastale zaradi napačnega ravnanja ali malomarnosti upravljavca naprave. Da je garancija v celoti krita, mora operater ohranjati visokotlačni čistilec v skladu z navodili v tem priročniku, vključno s pravilnim skladiščenjem, ki je opisano v *Skladiščenje*.



**VAROVANIE!** Da zagotovite varno uporabo stroja, uporabljajte samo originalne nadomestne dele proizvajalca ali dele odobrene s strani proizvajalca. Če imate vprašanja v zvezi z zamenjavo komponent vašega visokotlačnega čistilca, obiščite spletno mesto **BRIGGSandSTRATTON.COM**. Ak je kábel poškodený, obráťte sa na autorizované servisné stredisko spoločnosti Briggs & Stratton.

### Vzdrževanje šobe

Očistite razpršilno konico, da odpravite prekomeren tlak v črpalke, ki ga povzroča zamašena razpršilna konica:

- Preklopite glavno stikalo ON/OFF (VKLOP/IZKLOP) v položaj OFF (0) (IZKLOP). Odstranite napajalni vtič iz električne vtičnice.
- Odstranite šobo 7 v 1 s konca šobe.
- Uporabite majhno sponko za papir in odstranite vse tujke, ki mašijo ali omejujejo razpršilno konico.
- Ponovno namestite šobo 7 v 1 v podaljšek šobe.

### Vzdrževanje tesnilnih obročkov Slika 10

Uporaba maziva (nafta ali sintetična mast) pomaga pri izboljšanjem tesnjenju tesnilnih obročkov. Nanesite mazivo na tesnilne obroče pred sestavljanjem visokotlačne cevi (**A**), visokotlačne cevi (**B**), razpršilna pištola (**C**) in na plastični nastavek (**D**).

Za nakup kompleta za vzdrževanje tesnilnih obročkov se obrnite na pooblaščen servis podjetja Briggs & Stratton. NIKOLI ne popravljajte uhajanje tekočin z uporabo lepil. Zamenjajte tesnilni obroček ali tesnilo.

### Zamenjave varovalke PRCD Slika 11



**OPOZORILO!** Da zmanjšate nevarnost požara, zamenjajte samo s 13-ampersko varovalko BS 1362.

Če PRCD vsebuje varovalko:

- Poiščite varovalko na strani z zatiči vtičača PRCD.
- S ploščatim izvijačem odstranite pokrov (**SA**) in sklop varovalke. Snemite varovalko (**B**) s pokrova. Zamenjajte varovalko s 13-ampersko varovalko BS 1362.
- Vstavite pokrov in sklop varovalke.

## Skladiščenje

Sledite korakom 1-10 v *po vsaki uporabi*.

**OPOMBA** Voda, ki ostane v črpalke, lahko zamrzne in trajno poškoduje črpalke. Garancija ne krije škoda zaradi zamrznitve.

### Zaščita črpalke

Da zaščitite črpalke pred poškodbami, ki jih povzročajo mineralne usedline ali zamrzovanje, uporabite PumpSaver, da preprečite škodo zaradi zamrzovanja, in namažite bate in tesnila.

**OPOMBA** Če enote ne zaščitite pred zelo nizkimi temperaturami, boste s tem poškodovali črpalke in enota bo neuporabna. Garancija ne krije škoda zaradi zamrznitve.

### Končni nasveti za skladiščenje

- Navijte visokotlačno cev na zgornji kavelj pladnja za dodatno opremo.
- Navijte napajalni kabel na spodnji kavelj pladnja za dodatno opremo.
- Shranite razpršilno pištolo, podaljšek šobe in 7-v-1 šobo na pladenj za dodatno opremo.
- Pokrijte enoto z zaščitnim pokrovom, ki ne zadrži vlage in shranite v čistem in suhem prostoru, zaščiteno pred temperaturami zmrzovanja.

# Odpravljanje težav

Težava	Vzrok	Odpravljanje težave
Črpalka ima naslednje težave: ne proizvaja tlaka, napačen tlak, ropotanje, izguba tlaka, nizka prostornina vode.	<ol style="list-style-type: none"> <li>1. Dovod za vodo je blokiran.</li> <li>2. Neprimerna oskrba z vodo.</li> <li>3. Dovodna cev je zvita ali spušča.</li> <li>4. Zamašeno sito dovoda vode.</li> <li>5. Razpršilna konica je ovirana.</li> </ol>	<ol style="list-style-type: none"> <li>1. Očistite dovod.</li> <li>2. Poskrbite za primeren pretok vode.</li> <li>3. Iztegnite vrtno cev ali zamenjajte v primeru puščanja.</li> <li>4. Očistite ali zamenjajte sito dovoda vode.</li> <li>5. Očistite razpršilno konico.</li> </ol>
Enota se ne zažene, ko pritisnete sprožilo na pištoli.	<ol style="list-style-type: none"> <li>1. Dovod vode ni odprt.</li> <li>2. Enota ni vklopljena.</li> <li>3. Vrtna cev je predolga.</li> <li>4. Pregorela varovalka ali sproženo prekinjalo.</li> </ol>	<ol style="list-style-type: none"> <li>1. Izklopite dovod vode.</li> <li>2. Preklopite glavno stikalo ON/OFF (VKLOP/ IZKLOP) v položaj ON (I) (VKLOP). Ponastavite PRCD.</li> <li>3. Uporabljajte le vrtno cevi dolge največ 15,24 m (50 ft.).</li> <li>4. a.) Zamenjajte varovalko ali ponastavite prekinjalo.</li> <li>5. b Odklopite druge električne aparate in izklopite luči v tokokrogu ali uporabljajte na namenskem tokokrogu. c.) Enota naj 5 minut deluje s turbo razpršilno konico.</li> </ol>
Detergent se ne zmeša z razpršilom.	<ol style="list-style-type: none"> <li>1. Nameščena je visokotlačna šoba.</li> <li>2. Previsok tlak preskrbe na dovodu vode.</li> </ol>	<ol style="list-style-type: none"> <li>1. Namestite črno razpršilno konico.</li> <li>2. Počasi zapirajte ventil dovoda vode, dokler se ne pojavi črpanje kemikalije.</li> </ol>
Puščanje na povezavi cevi.	<ol style="list-style-type: none"> <li>1. Vrtna cev na dovodu vode ni pritegnjena.</li> <li>2. Povezave visokotlačne cevi niso pritegnjene.</li> <li>3. Poškodovano obročno tesnilo</li> </ol>	<ol style="list-style-type: none"> <li>1. Vrtno cev pritegnite z roko.</li> <li>2. Cev odstranite in jo znova namestite.</li> <li>3. Zamenjajte tesnilni obroč.</li> </ol>

Za vse ostale težave se obrnite na pooblaščenega prodajalca Briggs & Stratton.

## Specifikacije

Dovoljeni tlak	MPa/BAR/PSI	16,0/160/2,320*
Maks. pretok	LPM/GPM	15,0/4.4,0*
Nominalni tlak in pretok	MPa/BAR/PSI @ LPM/GPM	12/120/1740 @ 5,5/1,45
Temperatura dovoda vode	°C/°F	38/100
Nazivna napetost	V	220 - 240
Nazivna frekvenca	Hz	50/60
Poraba energije	W	2,500
Tok	A	9,0
Zaščitni razred	Razred	Razred II
Stopnja zaščite	IP xx	IPX5
Vibracije na dlan - roko $a_{hd}$ Negotovost K	$m/s^2$ $m/s^2$	$\leq 2,5^*$ 0.2
Hladina akustičkega tlaku $L_{pA}$ Negotovost $K_{pA}$	$dB(A)$ $dB(A)$	$74^*$ $2^*$
Hladina akustičkega výkonu $L_{WA}$	$dB(A)$	$94^*$
Garantovaná hladina akustičkeho výkonu $L_{WAd}$	$dB(A)$	$96^*$

\* Skladno z EN 60335-2-79: 2012.

## EC vyhlásenie o zhode

### Lavorwash spa

Via J.F.Kennedy, 12 – 46020 Pegognaga (MN) – Taliansko

Toto vyhlásenie o zhode sa vydáva na výhradnú zodpovednosť výrobcu. Týmto potvrdzujeme, že výrobky uvedené v tomto dokumente sú v súlade s príslušnými harmonizačnými právnymi predpismi Európskej Únie a môžu niesť označenie CE. Vyššie uvedené modely vyhovujú nižšie uvedeným smerniciam a príslušným normám.

**Produkt:** Vysokotlakový čistič

**Model - typ:** BPW1800PX

### Štandardy a nariadenia EU

2006/42/EC (+2009/127/EC)

2006/95/EC

2004/108/EC

2000/14/EC (+2005/88/EC)

2011/65/EU (+2015/863/EU)

2014/35/EU ≥ 2016-04-20

2014/30/EU ≥ 2016-04-20

EN 60335-1:2012

EN 60335-2-79:2012

EN 62233:2008

EN 55014-1:2006+A1:2009+A2:2011

EN 55014-2:1997+A1:2001+A2:2008

EN 61000-3-2:2006+A1:2009+A2:2009

EN 61000-3-3:2013

EN 50581:2012

### Hladina akustického výkonu

Nameraná hlučnosť dB(A): **94**

Garantovaná hlučnosť dB(A): **96**

2000/14/EC: Spotrebič zodpovedá definícii č. 27 prílohy I. Procesu hodnotenia konformnosti v súlade s prílohou V.

Technické informácie sú uložené v sídle spoločnosti Lavorwash S.p.A., via J.F.Kennedy, 12 - 46020 Pegognaga (MN) – Taliansko.

Lavorwash S.p.A

via J.F.Kennedy, 12

46020 Pegognaga

(MN) - Italy Pegognaga, 15. októbra 2015



Giancarlo Lanfredi

Generálny manažér



**OMEJENA GARANCIJA**

Podjetje Briggs & Stratton jamči, da bo med spodaj navedenim garancijskim obdobjem, brez dodatnih stroškov popravilo ali zamenjalo kateri koli del, na katerem se je pojavila okvara zaradi materiala ali izdelave ali oboje. Stroške prevoza izdelka, ki je poslan v popravilo ali v zamenjavo pod to garancijo, mora nositi kupec. Ta garancija velja za obdobje in v skladu s pogoji navedenimi spodaj. Za servis v okviru garancije poiščite najbližjega pooblaščenega prodajalca na našem zemljevidu za iskanje trgovca na spletni strani BriggsandStratton.com. Kupec mora stopiti v stik s pooblaščenim prodajalcem in izdelek le-temu posredovati za pregled in testiranje. **Drugih izrecnih garancij ni. Nakazane garancije, vključno z garancijami tržnosti in uporabnosti za določen namen, so omejene na spodnje garancijsko obdobje ali v obsegu, ki ga dopušča zakon. Odgovornost za nesreče ali posledice je izključena do obsega, kot to dovoljuje zakon.** Nekatere države ne dopuščajo omejitve trajanja implicirane garancije, nekatere države pa ne omogočajo izključevanja ali omejitve pri škodi zaradi nesreč ali posledic, tako da zgoraj navedena omejitev ali izključitev morda za vas ni veljavna. Ta garancija vam daje določene pravice, imate pa lahko tudi druge zakonsko določene pravice, ki se v posameznih državah razlikujejo.\*\*

**GARANCIJSKO OBDOBJE**

Domača uporaba	Komercialna uporaba
12 mesecev	Brez

\*\* V Avstraliji - Blago ima garancije, ki jih ni možno izključiti v skladu z Avstralskim zakonom za potrošnike. Upravičeni ste do menjave ali vračila denarja za veliko okvaro ali do kompenzacije iz kakšne druge predvidene izgube ali škode. Prav tako ste upravičeni do popravila ali menjave blaga, če le-to ni sprejemljive kakovosti ali okvara ne predstavlja velike okvare. Za servis v okviru garancije poiščite najbližjega pooblaščenega prodajalca na našem zemljevidu za iskanje trgovca na , ali pokličite 1300 274 447, ali nam pošljite elektronsko pošto na naslov salesenquires@briggsandstratton.com.au, Briggs & Stratton Australia Pty Ltd, 1 Moorebank Avenue, NSW, Avstralija, 2170.

Garancijska doba začne veljati z datumom nakupa prve trgovine ali poslovnega potrošnika. „Potrošniška uporaba“ pomeni osebno domačo rabo maloprodajnega potrošnika. „Gospodarska uporaba“ pomeni vse druge uporabe, vključno z uporabo v komercialne, pridobitne ali posojilne namene. Ko se izdelek prične uporabljati v komercialne namene se zatem upošteva kot komercialno uporabljen izdelek za namene te garancije.

Za zagotavljanje takojšnjega in popolnega garancijskega kritja izdelek registrirajte na zgoraj navedeni spletni strani ali na spletni strani [www.onlineproductregistration.com](http://www.onlineproductregistration.com) oziroma pošljite izpolnjeno registracijsko kartico (če je priložena) ali pokličite 1-800-743-4115 (v ZDA).

Shranite račun kot dokaz nakupa. Če tedaj, ko potrebujete garancijsko storitev, ne predložite dokazila o datumu prvotnega nakupa, se bo za določanje garancijske dobe uporabil datum proizvodnje izdelka. Za pridobitev garancijskega servisa za izdelke Briggs & Stratton registracija izdelka ni zahtevana.

**PODATKI O GARANCIJI**

Garancijski servis je na voljo le pri pooblaščenih prodajalcih podjetja Briggs & Stratton. Večino popravil v garancijskem roku se izvede rutinsko, včasih pa so zahtevki za servisiranje v garanciji neupravičeni. Ta garancija pokriva le okvare v sestavi in/ali izdelavi. Ne pokriva pa škode, ki je nastala zaradi nepravilne rabe ali zlorabe, neustreznega vzdrževanja ali popravil, običajne obrabe ali zaradi postanelega ali neodobrenega goriva.

**Nepravilna raba in zloraba** - Pravilna, namenska raba tega izdelka je opisana v Uporabniškem priročniku. Uporaba izdelka na način, ki ni opisan v Uporabniškem priročniku ali uporaba po tem, ko je bil izdelek že poškodovan, bo izničila veljavnost vaše garancije. Uveljavljanje garancije ni mogoče, če je bila serijska številka izdelka odstranjena ali če je bil izdelek kakorkoli spremenjen ali modificiran, ali če so na izdelku vidni dokazi zlorabe, kot so poškodbe zaradi udarcev ali korozija zaradi uporabe vode/kemikalij.

**Neustrezno vzdrževanje in popraviljanje** – ta izdelek je treba vzdrževati skladno s postopki in časovnim razporedom, kot je določeno v Uporabniškem priročniku in popravljati s pristnimi nadomestnimi deli Briggs & Stratton. Škode, ki se pojavijo zaradi neizvajanja vzdrževanja ali uporabe neoriginalnih delov, ta garancija ne krije.

**Običajna obraba**– kot večina drugih mehanskih naprav se tudi vaša naprava kljub pravilnemu vzdrževanju obrablja. Ta garancija ne pokriva popravila, če se je ob normalni uporabi iztrošil posamezen del ali naprava. Vzdrževanja in obrabnih delov, kot so na primer filtri, jermeni, rezila ali zavorne ploščice (razen zavornih ploščic motorja) garancija ne krije zaradi značilnosti obrabe, razen če gre za okvaro zaradi materiala ali izdelave.

**Postano ali neodobreno gorivo** – ta izdelek za pravilno delovanje potrebuje sveže gorivo, ki ustreza merilom, navedenim v Uporabniškem priročniku. Garancija ne pokriva poškodb motorja ali opreme, ki jih povzroči staro gorivo ali uporaba neodobrenih goriv (kot sta mešanici etanola E15 ali E85).

**Druge izjeme** – ta garancija izključuje poškodbe zaradi nezgod, zlorabe, prilagajanj, sprememb, nepravilnega servisiranja, zamrzovanja ali kemičnega kvarjenja. Izključeni so tudi priključki in dodatna oprema, ki niso bil v originalni embalaži z izdelkom. Ni garancijskega kritja za opremo, ki se uporablja kot primarno napajanje v vlogi javnega napajanja ali za opremo za ohranjanje življenjskih funkcij. Ta garancija ne vključuje uporabljene, obnovljene, rabljene ali predstavljene opreme ali motorjev. Ta garancija izključuje okvare zaradi naravnih katastrof ali drugih dogodkov zaradi višje sile, ki jih proizvajalci ne morejo nadzirati.

## Innehållsförteckning

Säkerhets- och kontrollsymboler . . . . .	4
Utrustningsbeskrivning . . . . .	4
Montering . . . . .	5
Funktioner och reglage . . . . .	5
Operation . . . . .	5
Underhåll . . . . .	7
Lagring . . . . .	7
Felsökning . . . . .	8
Specifikationer . . . . .	8
Gatanti . . . . .	10

## Säkerhets- och kontrollsymboler

En säkerhetssymbol kan användas för att representera den typ av fara. **WARNING** anger en risk som, om den inte undviks, kunde leda till dödsfall eller allvarliga personskador. **VARSEL** medlar metoder som inte är relaterade till personskador.



Läs instruktionsboken



Bränsleinsprutning



Elektrisk stöt



Säkerhetssymbol



Flygande föremål



Brand



Kemisk brännskada



On (På)



Off (Av)



Inte drickbart vatten



Rikta aldrig sprutpistolen mot dig själv, andra eller djur. Spruta aldrig i närheten av strömkällan eller själva enheten.

Den här maskinen är inte avsedd för användning av personer (inklusive barn) med nedsatt fysisk-, sensorisk- eller mental kapacitet, eller av personer utan erfarenhet och kunskap, utan tillsyn och givna instruktioner angående säker drift och förståelse för de risker som förekommer.

### WARNING

- Den här maskinen har designats för användning med rengöringsmedel som levereras eller rekommenderas av tillverkaren. Användning av andra rengöringsmedel eller kemikalier kan påverka maskinens säkerhet negativt.

- Högtrycksstrålar kan vara farliga om de är föremål för missbruk. Strålen får inte riktas mot personer, strömförande elektrisk utrustning eller mot själva maskinen.
- Använd inte maskinen i närheten av människor om de inte har skyddsklädsel.
- Rikta inte strålen mot dig själv eller andra för att rengöra kläder eller skor.
- Explosionsrisk - Spraya inte brandfarliga vätskor.
- Högtryckstvättar skall inte användas av barn eller personal utan utbildning.
- Högtrycksslangar, anslutningar och kopplingar är viktiga för maskinens säkerhet. Använda bara slangar, anslutningar och kopplingar rekommenderade av tillverkaren.
- För att garantera maskinens säkerhet skall endast originalreservdelar från tillverkaren eller som har godkänts av tillverkaren användas.
- Vatten som har strömmat tillbaka genom returflödestoppet är inte drickbart.
- Ta bort tappen från utgången för att stänga av strömmen under rengöring eller underhåll och vid byte av reservdelar.
- Använda inte maskinen om sladden eller viktiga delar av maskinen är skadade, t.ex. säkerhetsenheter, högtrycksslangar, högtryckshandtaget.
- Använd inte en förlängningssladd till den här elektriska högtryckstvätten.
- Stäng alltid av maskinen med huvudströmbrytaren när maskinen lämnas obevakad.

## Utrustningsbeskrivning



Läs handboken noga och bekanta dig med högtryckstvätt. Känn till dess program, begränsningar och de eventuella risker som involveras. Spara dessa ursprungliga instruktioner för framtida referens .

Denna elektriska trycktvätt använder ett maximalt tryck på 12,0 MPa (120 BAR eller 1 740 PSI (pounds per kvadrattum)) med ett flöde på upp till 15,00 LPM (liter per minut) (4,0 GPM (gallon per minut)).

Vi har gjort allt vi kan för att försäkra oss om att informationen i den här bruksanvisningen är exakt och aktuell. Men tillverkaren förbehåller sig rätten att ändra, modifiera eller på annat sätt förbättra generatoren och dokumentationen när som helst utan förvarning.

**OBSERVERA** Om du har frågor om avsedd användning, fråga återförsäljaren eller kontakta kvalificerat servicecenter. Använd ALRDIG enheterna med trasiga eller ofullständiga delar, eller utan skyddskåpor eller skydd. Kringgå INTE några säkerhetsenheter på den här maskinen. Modifiera INTE generatoren på något sätt. Utrustningen är avsedd att användas med Briggs & Stratton **ENDAST** behöriga delar.

### POWERflow + Technology™

Briggs & Stratton POWERflow+ Technology är ett system av komponenter som arbetar tillsammans för att leverera hög flödeskapacitet. Trycket bakom Powerflow+ finns i pumpen med två separata reningslägen: högt tryck och högt flöde som förbättrar rengöringen genom att ge utökad räckvidd. Kraftfull intvålning och snabbare sköljkapacitet.

## Bärbar jordfelsbrytarskydd

Denna trycktvätt är utrustad med ett jordfelsbrytarskydd (PRCD) som är inbyggd i kontakten på strömsladden. Denna enhet ger extra skydd mot elchocker. PRCD ger ett skydd på 10 mA.

### Automatisk avstängning

En sensor kommer att stänga av motorn när sprutpistolens utlösare släpps eller låser sig. ANVÄND INTE MASKINEN om motorn fortsätter att vara i drift medan sprutpistolens utlösare släpps eller låser sig. Kontakta ett auktoriserat Briggs & Stratton servicecenter.

**OBSERVERA** PÅ/AV-brytaren ska alltid vara i AV-läget (0) när trycktvätten inte används.

### Överbelastning av motorn

Ett överbelastningsskydd stänger automatiskt av motorn om den överhettas eller drar extra mycket ström. Om enheten får problem, koppla bort strömmen genom att trycka huvudbrytaren PÅ/AV till AV-läget (0). Låt enheten kylas ner i 30 minuter och tryck därefter PÅ/AV-brytaren till PÅ-läget (I).

### EU Bortskaffande



Denna symbol anger att ägaren av batterier och elektrisk eller elektronisk utrustning inte ska kasta denna produkt med osorterat kommunalt avfall.

Denna produkten skall kastas bort i miljöanpassade avfallsplatser. Vänligen kontakta Briggs & Stratton eller din lokala återförsäljare för ytterligare information om bortskaffelse

## Montering

### Fäst supportrör och handtag Bild 1 2

1. För in support (1,A) i öppningarna. Rikta och fäst skruvarna (1,B). Behåll inriktningen när de skruvas åt.
2. Placera handtagen (2,A) på support och rikta med hålen.
3. Sätt i lastbultar (2,B) genom hålen inifrån enheten, fäst med plastknoppar (2,C), och dra åt.

### Funktioner och reglage Bild 3

A	Sprutpistol	G	Strömsladd med PRCD
B	7-i-1 munstycke	H	Identifikationsmärke
C	Tillbehörsbricka	J	Högtrycksuttag
D	Rengöringsmedelbehållare	K	Vattenförsörjnings inlopp
E	Huvudbrytare PÅ/AV	L	Munstycksförlängning
F	Högtrycksslang		

## Operation

### Anslut slang och vattentillförsel Bild 3 4 6

**OBSERVERA** Använd endast kallt vatten (mindre än 38°C (100°F)).

1. Skruva högtrycksslang (3,F) till pistolen (3,A).
2. Anslut den blå högtrycksslangen (3,F) till utloppet (3,K) och dra åt.
3. Bekräfta att vatteninloppsnät och svart gummibricka är monterade i vatteninloppets anslutning (4,A).
4. Anslut vattenloppets anslutning (4,B) för inloppet och dra åt.

**OBSERVERA** För att uppnå bäst resultat, anslut ENDAST till vattenkälla som kan leverera mer än 5 GPM (18,9 l) och 25-75 psi (1,72-5,17 bar) vid änden på trädgårdsslangens elektriska högtryckstvätt.

5. Låt vatten rinna igenom trädgårdsslangen för att rengöra den från smuts.

**OBSERVERA** Användningen av backventil vid pumpinlopp kan orsaka skada på pumpen. Det måste vara minst 3 meter (10 fot.) Obegränsat trädgårdsslang mellan högtryckstvätt inlopp och backventil



**WARNING!** Vatten som flödat genom en backventil anses vara odrickbart.

6. Anslut trädgårdsslangen (4,C) (inte längre än 15 m (50 fot)) till vatteninloppet (4,B) och dra åt.
7. Slå PÅ vattnet, rikta pistolen åt ett säkert håll, tryck ner utlösarens låsknapp (5,A), och krama sedan åt utlösaren för släppa på det höga trycket.
8. Anslut munstycksförlängningen (3,L) till sprutpistolen (3,A). Dra åt för hand.
9. Dra tillbaka munstycksförlängningens stoppring (7,A), sätt i 7-i-1 munstycke (7,B) och släpp stoppringen. Dra i spraytoppen för att kontrollera att den sitter säkert på plats. Se 7-i-1 munstycke.

### Starta trycktvätt Bild 3 9



**WARNING!** Sprutan kan göra så det skvätter eller föremål slungas iväg, vilket kan resultera i allvarliga skador. Använd alltid indirekt ventilerade (stänk från kemikalier) skyddsglasögon i enlighet med ANSI Z87.1 när du använder eller är i närheten av den här utrustningen.

1. Tryck huvudbrytaren PÅ/AV (3,E) till AV-läget (0).



**WARNING!** Risk för elchocker. Generatorspänningen leder till elstöt eller utbränning, vilket kan leda till allvarlig skada eller döden. ANVÄND INTE en förlängningssladd med denna elektriska trycktvätt. Dina elkretsar hemma eller förlängningssladd kanske inte har livräddande bärbart jordfelsbrytarskydd.

2. Anslut elsladden (3,G) till en särskild elektrisk krets som klarar 220 - 240 volt växelström på 10 ampere och som är korrekt installerad i enlighet med alla lokala regler och förordningar. Kretsen behöver inte tillföra några andra elektriska behov.
3. Tryck på knappen ÅTERSTÄLL(8,A). Indikatorlampan (8,B) ska vara PÅ.

**OBSERVERA** Indikatorlampan måste vara PÅ för att den elektriska trycktvätten ska fungera.

4. Tryck på knappen TEST(8,A). Indikatorlampan (8,B) ska vara AV.
5. Tryck på knappen ÅTERSTÄLL(8,A). Indikatorlampan (8,B) ska vara PÅ.



**WARNING!** Risk för elchocker. Ej fungerande PRCD kan resultera i person- och livshotande skador. Använd inte PRCD om indikatorlampan inte är PÅ efter test och återställning.

6. Tryck huvudbrytaren PÅ/AV till PÅ-läget (I).
7. Rikta pistolen åt ett säkert håll, tryck ner utlösarens låsknapp och krama åt utlösaren.

Motorn startar och stoppar när sprutpistolens utlösare trycks in respektive släpps.

## 7-i-1 munstycke Bild 12

7-i-1 munstycket gör det möjligt att växla mellan sju olika sprutmönster. Släpp utlösaren på sprutpistolen för att aktivera säkerhetslåset innan sprutmönstret ändras.

- Välj önskat sprutmönster:
  - Välj munstycket Maximal 0° (A) för hårda eller svåråtkomliga ytor såsom ytor på nästa våning samt färgborttagning, oljefläckar, rostborttagning eller andra hårda ämnen (tjära, gummi, fett, vax, etc.).
  - Välj munstycket Normal 15° (B) för tuffare rengöringsuppgifter. Perfekt för att ta bort fett och smuts från hårda ytor. Också kan strippa färg när den hålls i 45° vinkel.
  - Välj munstycket Skonsam 40° (C) för skonsam rengöring av bilar/lastbilar, båtar, husbilar, utemöbler, trädgårdsutrustning etc.
  - Välj munstycket Fläktsprej (D) för optimalt högt flöde när småsmuts och skräp sköljs bort.
  - Välj såpmunstycket Fläktsprej (F) för rengöring av känsliga ytor på bilar, lastbilar, lekplats utrustning, utemöbler, etc.
  - Välj Utökad räckvidd (G) för rengöring med snabbt högt flöde och lång räckvidd för rengöring på väggar på våningar ovan och fönster.
  - Välj utökad räckvidd med såpmunstycke (H) för att sprida såpa på väggar på våningar ovan och fönster.
- Vrid ratten tills önskat sprutmönster är i linje med pilen på 7-i-1 munstycke.

### Användarråd

- För den mest effektiva rengöringen, håll munstycket 20 till 61 cm (8 till 24 in.) från området som ska rengöras.
- Om munstycket kommer för nära, framför allt om högtrycksmunstycket används, kommer det att skada området som rengörs.
- HÅLL INTE munstycket närmare än 15 cm (6 in.) vid rengöring av däck.

### Applicera rengöringsmedel Bild 3



**WARNING!** Kemikalier kan orsaka brännskador som resulterar i dödsfall eller allvarliga skador. Använd INTE vätskor baserade på kaustiksoda med generatoren. Använd ENDAST säkra detergentmedel och såpor i generatoren. Följ tillverkarens instruktioner.

#### Applicera rengöringsmedel enligt följande steg:

- Ta bort locket från rengöringsbehållaren (D) och fyll upp med rengöringsmedel. Sätt tillbaka locket.
- Se till att ett sprutmönster med såpa är valt på 7-in-1 munstycket.

**OBSERVERA** Rengöringsmedel kan inte appliceras med högtrycksmunstycken (max, normal, delikat, fläktsprej eller utökad räckvidd).

- Spruta rengöringsmedel på en torr yta, med början vid nedre delen av området som ska tvättas och arbeta uppåt, med långa, jämna, överlappande drag.
- Låt rengöringsmedlet "sugas in" i enlighet med instruktionerna från tillverkaren av rengöringsmedlet innan rengöring och sköljning.

## Sköljning med tryckvätt

- Välj önskat högtrycksmunstycke.



**WARNING!** Mottrycket från sprutpistolen kan leda till fall vilket kan orsaka livshotande- eller personskadador.

Använd generatoren på en stabil yta. Var extremt noga om du måste använda generatoren ifrån en stege, ställning eller någon liknande plats. Håll sprutpistolen ordentligt med båda händerna när du använder högtryckssprejen för att undvika skador när sprutpistolen slår tillbaka.

- Applicera högtryckssprej till ett mindre område och kontrollera ytan för skador. Om inga skador upptäcks, fortsätt sköljningen.
- Börja på toppen av området som ska sköljas, arbeta ner med samma överlappande drag som du använde för rengöring.

### Stoppa tryckvätt Bild 3

- Släpp sprutpistolens utlösare.
- Tryck huvudbrytaren PÅ/AV (3,E) till AV-läget (0).

**OBSERVERA** Att släppa utlösaren kommer att stänga av motorn men stänger inte av elförsörjningen till enheten.

- Stäng av vattentillförseln.
- Rikta ALLTID pistolen åt ett säkert håll, tryck ner utlösarens lås knapp och krama åt utlösaren för att släppa ut tryck som byggts upp inne i enheten.



**WARNING!** Den höga tryckströmmen av vatten kan skära genom huden och dess underliggande vävnad, vilket kan leda till allvarliga skador och eventuell amputation. Håll högtrycksslangen ansluten till pumpen och spraypistolen medan systemet är under tryck. Låt INTE BARN använda generatoren. Rikta ALLTID sprutpistolen i en säker riktning, krama åt sprutpistolens avtryckare för att släppa på högtrycket, varje gång du stänger av tryckvätten.

- Frånkoppla PRCD-kontakten (G) från uttaget och spiralsladden på den undre kroken på tillbehörsbrickan.
- Vira högtrycksslangen på den övre kroken av tillbehörsbrickan.
- Förvara rött högtrycksmunstycke på änden av munstycksförlängningen. Förvara sprutpistolen, munstycksförlängningen och 7-i-1 munstycket på tillbehörsbrickan.

## Efter varje användning

Vatten får inte finnas kvar i enheten under längre tider. Sediment och mineraler kan fåsta på pumpdelarna och låsa fast pumpens rörelser. Följ dessa procedurer efter varje användning:

1. Använd trycktvätten med munstycket såsprej tills tanken är tom.
2. Håll 0,5 liter vatten i rengöringsbehållaren och använd munstycket såsprej. Skölj i en till två minuter.
3. Tryck huvudbrytaren PÅ/AV till AV-läget (I). Ta ur strömkabeln från eluttaget.
4. Stäng av vattentillförseln. Rikta pistolen åt ett säkert håll, tryck ner utlösarens lås knapp och krama åt utlösaren för släppa på fastnat tryck.
5. Frånkoppla trädgårdsslangen från vatteninloppet. Frånkoppla högtrycksslangen från pistolen och högtrycksutloppet.
6. Töm ut vattnet från slang och sprutpistol och torka av yttre ytor.
7. Töm ut vattnet från pumpen genom att tippa enheten på höger sida (vatteninlopp nedåt) i två minuter. Tippa enheten över och låt den ligga på högtrycksutloppet i ytterligare två minuter.
8. Vira högtrycksslangen på den övre kroken på tillbehörsbrickan.
9. Lägg elsladden på den undre kroken på tillbehörsbrickan. Förvara sprutpistolen, munstycksförlängningen och 7-i-1 munstycket på tillbehörsbrickan.
10. Förvara enheten på ett rent och torrt område.
11. Om du ska förvara den i mer än 30 dagar, se Förvaring.

## Underhåll

### Allmänna rekommendationer

Ett regelbundet underhåll förbättrar prestandan och förlänger generatorns livslängd. Besök någon auktoriserad Briggs & Stratton återförsäljare för service. Låt INTE barn rengöra eller underhålla utan någon uppsikt.

Generatorns garanti täcker inte punkter som beror på användarens vanvård eller slarv. För att få full valuta från garantin, måste operatören hålla högtryckstvätt enligt instruktionerna i denna manual, inklusive korrekt lagring som beskrivs i Lagring. *Lagring.*



**WARNING!** För att säkerställa maskinsäkerhet, använd endast originalreservdelar från tillverkaren eller har godkänts av tillverkaren. Om du har frågor om byte av komponenter på din generator, vänligen besök vår hemsida på [BRIGGSandSTRATTON.COM](http://BRIGGSandSTRATTON.COM). Om sladden är skadad, besök ett auktoriserat Briggs & Stratton Service Center.

## Underhåll av munstycke

Rengör spraytoppen för att inte få inkorrekt pumptryck p.g.a. ihopkladdad spraytopp:

1. Tryck huvudbrytaren PÅ/AV till AV-läget (I). Ta bort strömkabeln från eluttaget.
2. Ta bort 7-i-1 munstycket från änden av munstycksförlängningen.
3. Använd ett mindre gem för att ta avlägsna främmande material som blockerar eller begränsar munstycket.
4. Återinstallera 7-i-1 munstycket i munstycksförlängningen.

## O-Rings Underhåll Bild 10

Användandet av smörjmedel (petroleum eller syntetiskt fett) hjälper till att sätta O-ringar och förbättrar tätningarna. Applicera smörjmedel på o-ringarna innan högtrycksslang (A), högtrycksslang (B), sprutpistol (C), och plaststav (D). Köp ett underhållskit för o-ringar genom att kontakta Briggs & Strattons godkända serviceverkstad. Reparera ALDRIG läckande anslutningar med tätning av något slag. Byt ut o-ringar eller tätningen.

## PRCD byte av säkring Bild 11



**WARNING!** För att minska risken för brand, ersätt endast med säkring 13-amp märkt BS 1362.

Om utrustad med säkring inom PRCD:

1. Lokalisera säkringen på stiftsidan av PRCD-pluggen.
2. Använd en platt skruvmejsel, ta bort kåpan (A) och säkringsmonteringen. Ta bort säkringen (B) från kåpan. Ersätt med säkring 13-amp märkt BS 1362.
3. Sätt in kåpan och säkringsmonteringen.

## Lagring

Följ steg 1 - 10 i *Efter varje användning.*

**OBSERVERA** Vatten som lämnas kvar i pumpen kan frysa och skada pumpen permanent. Frysskador täcks inte av garantin .

### Att Skydda Pumpen

För att skydda pumpen ifrån skador som orsakas av mineralavlagringar eller frysningar, använd PumpSaver för att förebygga frysskador, samt smörj kolvar och tätningar.

**OBSERVERA** Att inte skydda enheten från kalla temperaturer kommer att skada pumpen och göra enheten oanvändbar. Frysskador täcks inte av garantin .

### Avslutande förvaringstips

1. Vira högtrycksslangen på den övre kroken på tillbehörsbrickan.
2. Lägg elsladden på den undre kroken på tillbehörsbrickan.
3. Förvara sprutpistolen, munstycksförlängningen och 7-i-1 munstycket på tillbehörsbrickan.
4. Täck enheten med ett skyddande hölje som inte håller fukt och förvara på en ren och torr plats som är skyddad från kalla temperaturer.

# Felsökning

Problem	Orsak	Korrigering
<b>Pumpen som har följande problem: underlåtenhet att producera tryck, oberäkneligt tryck, tjatrande, tryckförlust, låg vattenvolym.</b>	<ol style="list-style-type: none"> <li>1. Vattenintaget är blockerat.</li> <li>2. Inte tillräckligt med vatten.</li> <li>3. Inloppsslangen har vikts eller läcker.</li> <li>4. Igentäppt inloppsnät.</li> <li>5. Spraytoppen har rubbats.</li> </ol>	<ol style="list-style-type: none"> <li>1. Rengör inloppet.</li> <li>2. Tillför tillräckligt vattenflöde.</li> <li>3. Räta ut trädgårdsslang eller byt ut vid läckage.</li> <li>4. Rengör eller byt vattenloppsnätet.</li> <li>5. Rengör spraytoppen:</li> </ol>
<b>Enheten kan inte startas när sprutpistolens utlösare kramas åt.</b>	<ol style="list-style-type: none"> <li>1. Vattentillförseln har inte slagits på.</li> <li>2. Enheten har inte slagits på.</li> <li>3. Trädgårdsslangen är för lång.</li> <li>4. Säkring gick eller kretsbrytaren är utlöst.</li> </ol>	<ol style="list-style-type: none"> <li>1. Stäng av vattentillförseln.</li> <li>2. Tryck huvudbrytaren PÅ/AV till PÅ-läget (I). Återställ PRCD.</li> <li>3. Använd endast maximalt 15,24 m (50 ft.) trädgårdsslang.</li> <li>4. a.) Byt säkring eller återställ krets brytare.</li> <li>5. b.) Frånkoppla andra elektriska anordningar och stäng av ljus i kretsen eller använd dedikerad krets. c.) Ta i drift i 5 minuter med turbo-spraytoppen.</li> </ol>
<b>Rengöringsmedlet mixas inte med sprayen.</b>	<ol style="list-style-type: none"> <li>1. Högtrycksmunstycke är monterat.</li> <li>2. Tryck för inloppets vattentillförsel är för högt.</li> </ol>	<ol style="list-style-type: none"> <li>1. Installera munstyckets spraytopp.</li> <li>2. Stäng ventilen för vattentillförseln långsamt tills kemikalierna börjar tappas av.</li> </ol>
<b>Läckande vattenanslutningar.</b>	<ol style="list-style-type: none"> <li>1. Trädgårdsslangens anslutning till inloppet är lös.</li> <li>2. Lossa högtrycksslangens anslutningar.</li> <li>3. Skadad o-ring.</li> </ol>	<ol style="list-style-type: none"> <li>1. Trädgårdsslang åtdragen för hand.</li> <li>2. Ta bort slang och återinstallera.</li> <li>3. Byt o-ring.</li> </ol>

För alla andra frågor, se en Briggs & Stratton auktoriserade återförsäljare.

Specifikationer		
Tillåtet tryck	MPa/BAR/PSI	16,0/160/2,320*
Maxflöde	LPM/GPM	15,0/4,0*
Märktryck och -flöde	MPa/BAR/PSI @ LPM/GPM	12/120/1 740 @ 5,5/1,45
Vattentillförseltemperatur	°C/°F	38/100
Märkspänning	V	220 - 240
Nominell frekvens	Märkfrekvens	50/60
Bränsleförbrukning	W	2,500
Spänning	A	9,0
Skyddsklass	Klass	Klass 2
Skyddsgrad	IP xx	IPX5
Hand - Arm vibration $a_{hd}$ Osäkerhet K	$m/s^2$ $m/s^2$	$\leq 2,5^*$ $0,2^*$
Ljudtrycksnivå $L_{pA}$ Osäkerhet $K_{pA}$	dB(A) dB(A)	74* 2*
Ljudkraftsnivå $L_{WA}$	dB(A)	94*
Garanterad ljudeffektnivå $L_{WAD}$	dB(A)	96*

\* Enligt EN 60335-2-79: 2012.

## EG-överensstämmelsedeklaration

### Lavorwash spa

Via J.F.Kennedy, 12 – 46020 Pegognaga (MN) – Italien

Denna överensstämmelsedeklaration utfärdas på tillverkarens eget ansvar. Härmed intygas att de produkter som anges i det här dokumentet är förenliga med relevant unionslagstiftning om harmonisering och kan bära CE-märket. Dessa modeller uppfyller följande direktiv och relaterade standarder.

**Produkt:** Högtrycksrensare

**Modell - Typ:** BPW1800PX

#### EU-direktiv

2006/42/EC (+2009/127/EC)

2006/95/EC

2004/108/EC

2000/14/EC (+2005/88/EC)

2011/65/EU (+2015/863/EU)

2014/35/EU ≥ 2016-04-20

2014/30/EU ≥ 2016-04-20

#### Standarder

EN 60335-1:2012

EN 60335-2-79:2012

EN 62233:2008

EN 55014-1:2006+A1:2009+A2:2011

EN 55014-2:1997+A1:2001+A2:2008

EN 61000-3-2:2006+A1:2009+A2:2009

EN 61000-3-3:2013

EN 50581:2012

#### Ljudkraftnivå

Mätt dB(A): **94**

Garanterat dB(A): **96**

2000/14/EC: Apparaten definieras av nr 27 i bilaga I. överensstämmelses utvärderingsförfarande i enlighet med bilaga V.

Den tekniska filen lagras i Lavorwash spa, via JFKennedy, 12-46020 Pegognaga (MN) - Italien.

Lavorwash S.p.A

via J.F.Kennedy, 12

46020 Pegognaga

(MN) - Italen Pegognaga, oktober 15, 2015



Giancarlo Lanfredi

Huvudföreståndare

**BEGRÄNSAD GARANTI**

Briggs & Stratton garanterar att, under garantiperioden som anges nedan, kommer det att reparera eller ersätta, kostnadsfritt, någon del som är defekt i material eller utförande eller bådadera. Fraktkostnader för produkten lämnats in för reparation eller utbyte under denna garanti, bekostas av köparen. Garantin gäller under nedan angivna perioder och enligt nedan angivna villkor. För garantiservice, vänd dig till den närmaste auktoriserade serviceverkstaden som du hittar på vår återförsäljarkarta på BRIGGSandSTRATTON.COM. Köparen måste kontakta den auktoriserade servicehandlaren och sedan göra produkter tillgängliga för den auktoriserade servicehandlaren för inspektion och test.

**Det finns ingen annan uttrycklig garanti. Garantier, däribland säljbarhet eller lämplighet för ett visst föremål är begränsat till garantiperioden som anges nedan, eller i den utsträckning som är tillåtet enligt lag. Ansvar för oförutsedda eller följdskador är uteslutna i den mån undantag är tillåtet enligt lag.** Vissa stater eller länder tillåter inte begränsningar av hur länge en underförstådd garanti varar, och vissa stater eller länder tillåter inte uteslutning eller begränsning av oförutsedda skador eller följdskador, så ovanstående begränsning och uteslutning gäller möjligen inte dig. Denna garanti ger dig specifika juridiska rättigheter och du kan också ha andra rättigheter som varierar från delstat till delstat eller från land till land.\*\*

**GARANTIPERIOD**

Konsumentanvändning	Handelsbruk
12 månader	Ingen

\*\* I Australien - Våra varor kommer med garantier som inte kan undantas enligt Australiens konsumentlagstiftning. Du har rätt till en ersättning eller återbetalning vid ett betydande fel och till kompensation vid annan rimlig förtusebar förlust eller skada. Du har också rätt att få varan reparerad eller utbytt om varorna inte är av acceptabel kvalitet och felet inte uppgår till ett större fel. För garantiservice, hitta närmaste auktoriserade verkstäder i vår återförsäljarkarta på BRIGGSandSTRATTON.COM, eller genom att ringa 1300 274 447, eller via e-post eller skriva till salesenquires@briggsandstratton.com.au, Briggs & Stratton Australia Pty AB, ett Moorebank Aveny, NSW, Australien, 2170.

Garantitiden börjar på inköpsdatum från den första detaljhandeln eller kommersiell konsument. "Konsumentanvändning" betyder personligt bostadshushållsbruk med en detaljhandels konsument "Kommersiell användning" avses all annan användning, inklusive användning i kommersiellt, inkomstbringande och utyrningsssyfte. Då produkten en gång varit i kommersiellt bruk betraktas produkten fortsättningsvis som kommersiell i garantisammanhang.

Registrera produkten på ovanstående webbplats eller på [www.onlineproductregistration.com](http://www.onlineproductregistration.com) för att säkerställa direkt och fullständigt garantiskydd, eller posta ifyllt registreringskort (om sådant finns) eller ring 1-800-743-4115 (i USA).

Spara inköpskvittot. Om inköpskvittot inte kan uppvisas vid yrkan på garantireparation, kommer produktens tillverkningsdatum att användas för att bestämma garantiperioden. Produktregistrering krävs inte för att få garantiservice på Briggs & Stratton products.

**OM DIN GARANTI**

Garantiservice är endast tillgänglig genom Briggs & Stratton auktoriserade servicefirmor. De flesta garantireparationer hanteras rutinmässigt, men ibland förfrågningar om garantiservice kanske inte är lämpligt. Denna garanti omfattar endast fel i material eller utförande. Den täcker inte skador orsakade av felaktig användning eller missbruk, undermåligt underhåll eller reparation, normalt slitage eller ej godkänt bränsle.

**Felaktig användning och missbruk** - Korrekt, avsedd användning av denna produkt som beskrivs i bruksanvisningen. Att använda produkten på annat sätt än vad som beskrivs i användarmanualen eller använda produkten efter att den skadats, gör garantin ogiltig. Garanti medges inte om produktens serienummer har avlägsnats eller produkten har modifierats på något sätt eller produkten bevisligen har missbrukats t.ex. slag eller vatten/kemiska korrosionsskador.

**Felaktigt underhåll eller reparation** - Denna produkt måste underhållas i enlighet med de rutiner och scheman som finns i bruksanvisningen, och service eller repareras med äkta Briggs & Stratton delar eller motsvarande. Skador som orsakas av bristande underhåll eller användning av icke-originaldelar täcks inte av garantin.

**Normalt slitage** - Som de flesta mekaniska anordningar, är din enhet utsatt för slitage även när det underhålls. Garantin omfattar inte reparationer då normal användning lett till att en del av eller hela produktens livslängd har tagit slut. Underhålls- och slitageartiklar som filter, remmar, skär och bromsklossar (motorernas bromsklossar täcks) täcks inte av garantin endast på grund av slitageegenskaperna, såvida inte orsaken beror på fel i material eller tillverkning.

**Inaktuellt eller icke godkänt bränsle** - För att fungera korrekt behöver den här produkten nytt bränsle som uppfyller de kriterier som anges i bruksanvisningen. Skada på motor eller utrustning orsakad av gammalt bränsle eller användning av icke-godkända bränslen (t.ex. blandningar med E15 och E85) omfattas inte av garantin.

**Andra undantag** - Denna garanti utesluter skador på grund av olyckshändelse, missbruk, ändringar, ändringar, felaktig service, frysning eller kemisk försämring. Bilagor eller tillbehör som inte fanns med i originalförpackningen med produkten är också undantagna. Det finns ingen garanti på utrustning som används för primär makt i stället för elnätet eller på utrustning som används i livsuppehållande tillämpningar. Garantin omfattar inte används, renoverad, begagnad eller demonstrationsutrustning eller motorer. Garantin omfattar inte skador eller fel p.g.a. force majeure eller andra händelser utom tillverkarens kontroll.

## Yaliyomo

Usalama na Ishara za Udhhibitishaji . . . . .	4
Maelezo ya Vifaa . . . . .	4
Uunganishaji . . . . .	4
Vipengele na Vielekezi . . . . .	5
Operesheni . . . . .	5
Udumishaji . . . . .	7
Kuhifadhi . . . . .	7
Utatuaji wa Matatizo . . . . .	9
Maelezo ya Kina . . . . .	9
Udhamini . . . . .	10

## Usalama na Ishara za Udhhibitishaji

Ishara ya usalama inaweza tumiwa kuwashiria aina ya hatari. **ONYO** Inaashiria hatari ambayo, kama haitaepuwa, yaweza sababisha kifo ama majeraha makubwa. **ILANI** Inaongelea tendo lisilo ambatana na majeraha ya binafsi.



Soma mwongozo



Kugongwa na stima



Kuongeza ugiligili



Ishara ya Tahadhari ya Usalama



Kuanguka



Vitu vinavyoruka



Moto



Kuchomeka na kemikali



Kuwasha



Kuzima



Maji Yasiyobebeka



Usiwahi kuelekeza mkono wa kunyunyizia upande wako, wa watu wengine au wanyama. Usiwahi kunyunyizia karibu na chanzo cha umeme au kifaa chenye.

Hii mashine haijakusudiwa kutumika na watu ( hadi watoto) waliopungukiwa na nguvu za kimwili, hisia ama uwezo wa akili, ama waliokosa uzoefu na umaarufu, ila Wa usimamizi na kupewa maelekezo jinsi ya kuifanyisha kazi Wa usalama na kuelewa hatari inayoweza tokea wakati wa matumizi.

### ONYO

- Mashine hii imeundwa ili itumie sabuni au ditajenti ya kusafishia iliyotolewa au kupendekezwa na mtengenezaji. Utumiaji wa sabuni/ditajenti au kemikali zingine huenda ukaathiri pakubwa usalama wa mashine hii.
- Jeti za shinikizo la juu huenda zikawa hatari zikitumiwa vibaya. Jeti ile haipaswi kuelekezwa kwa watu, vifaa vitumiavyo umeme vilivyo umemeni au mashine hii yenyewe.

- Usitumie mashine hii pahali ambapo watu wapo isipokuwa kama wamevalia nguo za usalama.
- Usielekeze jeti kwako au kwa wengine kwa minajili ya kusafishia nguo au viatu.
- Hatari ya kulipuka – Usifukize maji maji yanayoshika moto.
- Vifaa vya kusafishia vinavyotumia shinikizo la juu havipaswi kutumiwa na watoto au wasio na uzoefu wala ujuzi wa kuvitumia.
- Mipira ya maji ya shinikizo la juu, vishikiliaji na visitiri ni muhimu kwa usalama wa mashine hii. Tumia mipira ya maji, vishikiliaji na visitiri vilivyopendekezwa na mtengenezaji.
- Ili uhakikishe usalama wa mashine, tumia vigeuzi asilia vinavyotoka kwa mtengenezaji au kuidhinishwa na mtengenezaji.
- Maji yaliyobubujika kupitia kwenye vizuia mabubujiko yanayorudi nyuma huchukuliwa kuwa yasiyobebeka.
- Ondoa kizibo umemeni ili kukatiza nguvu za umeme wakati wa kusafisha kifaa chenye, kukirekebisha/ kukidumisha na unapogeuzi sehemu husika.
- Usitumie mashine hii ikiwa kamba ya umeme au sehemu muhimu za mashine hii zimeharibika, k.mf. vyombo vya usalama, mipira ya maji ya shinikizo la juu, bunduki ya kikabaji.
- Usitumie ekstensheni kuendeshea shughuli za kiumeme za kisafishaji hiki cha umeme kitumiacho shinikizo.
- Daima zima swichi kuu unapoacha kushughulikia mashine ile au wakati ambapo huitumii.

## Maelezo ya Vifaa



Soma huu mwongozo Wa makini ili uwe na ujuzi wa mashine ya kuosha Wa presha. Jua matumizi yake, viWazo vyake, na tahadhari unazofaa kufuata kuepuka hatari. Ila maelekezo ya awali ya kumbukumbu baadaye.

Hii mashini ya kuosha ya stima ya presha hufanya kazi hadi kipeo cha 12.0MPa (120 BAR ama 1,740 PSI (paundi Wa inchi) Wa kiwango cha ububujikaji hadi 15.00 LPM ( lita Wa kila dakika) (4.0 GPM ( galloni Wa kila dakika).

KIla juhudi imefanywa kuhakikisha Wamba habari katika hii mwongozo ni shihi na ya kisasa Hata hivyo, Tunahifadhi haki ya kubadilisha ama kuboresha hii bidhaa Wa hii hati wakati wowote pasi ya ilani.

**ILANI** Kama una swali kuhusiana na nia ya matumizi, uliza muuzaji ama wasiliana na kituo cha huduma kilichodhibitishwa. USIWAHI fanyisha mashine kazi kama kuna vitengo vilivyovunjika ama kukosa, ama bila ganda la kinga. USIPITE kifaa chochote cha usalama katika hii mashine USIREKEBISHE mashine ya kuosha Wa presha Wa njia yoyote Hiki kifaa kimeundwa kutumika na Briggs & Stratton sehemu zilizothibitishwa **PEKEE**.

### POWERflow + Teknolojia™

Briggs & Stratton's POWERflow+ teknolojia ni mfumo wa vipengele kutenda kazi pamoja ili kuleta matokeo ya uwezo wa mtiririko wa hali ya juu. Nguvu nyuma ya POWERflow+ iko katika pampu iliyo na sehemu mbili tofauti za mbinu ya uoshaji: presha ya juu na mtiririko wa juu unaongeza uoshaji Wa kuwezesha kuenea Wa umbali, kutolewa Wa sabuni na upesi wa kusuuza.

**Ulinzi wa Kifaa Kinachochukuliwa cha Kukatisha Umeme**  
Hii mashine ya uoshaji wa presha imeimarishwa na portable residual current device (PRCD) (Kifaa cha kukatisha umeme) kilichotundukiwa Wa waya ya kuleta umeme. Hiki kifaa huwezesha ulinzi kutokana na hatari za nguvu za stima Hiki kifaa cha kukatisha umeme (PRCD) huwezesha 10mA ya usalama.

### Kujizima Moja Wa Moja

Sensa itazima mtambo wakati chombo cha kufukiza inapofungana ama kuachalia. Kama injini itaendelea kufanya kazi wakati chombo cha kufukiza kimeWama, USITUMIE MASHINE. Wasiliana na mhadumu aliyedhibitishwa wa Briggs & Stratton.

**ILANI** Switchi ya KUWASHA/KUZIMA inafaa kila wakati kuwa IMEZIMWA (0) wakati mashine ya uoshaji ya presha haitumiwi.

### Mzigo Kupita Kiasi Cha Mota

Kifaa cha usalama cha mzigo kupita kiasi hizima mota moja Wa moja inapopata joto kupita kiasi ama inatoa nguvu za umeme kupita kiasi. Kifaa kinapokosea, katiza umeme Wa kusukuma master ON/OFF switchi upande wa OFF (0). Ipe muda wa dakika 30 halafu bonyeza ON/OFF Wa switchi Wa kuipeleka upande wa ON (I).

### Utupaji wa Muungano wa Ulaya



Alama hii inaonyesha mmiliki wa betir na vifaa vya kielektroniki hatatupa kifaa hiki pamoja na uchafu wa manispaa ambao haujagawanjwa. Kifaa hiki kinafaa kutupwa katika maeneo yanayofaa kimazingira ya uchafu. Tafadhali wasiliana na Briggs & Stratton au mchuuzi wako wa ndani kwa taarifa zaidi kuhusu utapaji.

## Uunganishaji

### Ambatisha Tubu za Tegemeza na Mpini

#### Umbo 1 2

1. Poromosha imarisho (1,A) Wa nafasi zake. Uunganisha na utie skrubu (1,B). Zingatia ulinganishi unapokaza.
2. Weka sehemu ya kushika (2,A) Wa viguzo na ulinganishe mashimo.
3. Tia komeo za kiguzo (2,B) kupitia mashimo kutoka ndani ya sehemu, ambatisha na virungu vya plastiki (2,C), na ukaze.

### Vipengele na Dhibiti Umbo 3

<b>A</b>	Bunduki ya kufukiza	<b>G</b>	Kamba ya stima na kifaa cha kukatiza stima (PRCD)
<b>B</b>	Nozeli ya 7-Wa-1	<b>H</b>	Lebo ya kitambulisho
<b>C</b>	Kibao cha karakana	<b>J</b>	Kiingilio cha maji Wa mashine
<b>D</b>	Tanki ya sabuni	<b>K</b>	Kltokeo cha presha ya juu
<b>E</b>	Swichi kuu ya kuwasha/ kuzima	<b>L</b>	Enezi ya nozeli
<b>F</b>	Mpira wa maji wa presha ya juu		

## Operesheni

### Unganisha Mfereji na Usambazaji wa Maji

#### Umbo 3 4 6

**ILANI** Tumia maji baridi PEKEE (Chini ya digrii 38 C (100F)).

1. Funga bomba la presha ya juu (3,F) kwenye mkono (3,A).
2. Ambatisha mfereji wa bluu wa presha ya juu (3,F) Wa inayotoa kutoka Wa mashine (3,K) na ukaze.
3. Thibitisha kuingia Wa maji Wa kiwambo cha kuingia Wa maji na kipengele cha mpira cheusilmesimika na uingiaji wa maji (4,A).
4. Ambatisha vipengele viwili vya pande wa uingiaji wa maji (4,B) Wa mfereji wa kuingiza maji na ukaze.

**ILANI** Wa utendaji sambamba, ambatisha tu Wa uletaji wa maji usiyopita 5 GPM (18.9l) na 25-75 psi (1.72-5.17 bar) Wa mwsho wa mashine ya uoshaji ya presha mwisho wa mfereji.

5. Pitisha maji kupitia mfereji kusafisha vifusi.

**ILANI** Matumizi ya kuzuizi cha maji kurudi katika kiingilio cha pampu yaweza sababisha uharibifu wa pampu. LAZIMA kuwe na 3 m (10 ft.) ya mfeleji huru kati ya mashine ya uoshaji Wa presha upande wa kuingilia maji na kizuizi cha maji kurudi nyuma.



**ONYO!** Maji yakipitia Wa kizuizi cha maji kurudi nyuma inachukuliwa kama yasiyo bombeka.

6. Unganisha mfeleji (4,C) (isipite 15 mita (50 ft.)) Wa kuingia Wa maji (4,B) na ukaze.
7. WASHA maji, elekeza bunduki upande salama, bonyeza kidude cha kufunga (5,A), alafu bonyeza kidude kujaza mfumo wa mashini na hewa.
8. Ambatisha enezi Wa nozeli (3,L) Wa bunduki ya kufukiza(3,A). Kaza Wa mkono.
9. Vuta nyuma Wa kola ya enezi ya nozeli (7,A), tia nozeli ya 7-Wa-1 (7,B) alafu wachilia kola Hakikisha nozeli imeshikilia Wa usalama. Ona *Nozeli ya 7-Wa-1*.

### Kuanzisha mashine ya uoshaji Wa presha

#### Umbo 3 9



**ONYO!** Fukiza yaweza kurusha nyuma ama kutupa vitu nyuma na kusababisha majeraha makali. Daima vaa miwani mikubwa ya kuhifadhi macho kuzuia kurukiwa na kemikali lazima iwe imeweWa alama ya kuzingatia sheria za ANSI Z87.1 wakati wa matumizi ama karibu na mashine hii.

1. Bonyeza switchi kuu ya kuwasha/ kuzima (3,E) upande wa kuzima (0) upande.



**ONYO!** Hatari ya kugongwa na nguvu za umeme. Matumizi ya waya ya kuongeza yaweza sababisha kukatizwa Wa umeme Wa ghafla ama kuchoma na kusababisha kifo ama jeraha kali. Usitumie waya ya kueneza na hii mashine ya kuosha Wa presha Waya ya kueneza umeme yaweza kuwa haina jinsi ya kukatiza umeme, ili kuzuia madhara.

2. Unganish waya ya stima Wa socketi (3,G) Wa mzunguko wa stima ulioweWa haswa wa volti 220 - 240 AC katika 10 Amps iliyoweWa ikizingatiwa amri za mahali za stima. Mzungukp huo wa stima haufai kusamabaza stima Wa matumizi mengine ya stima Kiashiria cha kuonyeshana kuwa kifaa cha kukatiza stima kunafaa kuwa kimewaka.
3. Bonyeza kidude cha kuseti upya (8,C). Kiwashiria (8,B) kinafaa kuwa kimewaka.

**ILANI** Kiashiria lazima kiwe kimewashwa ili mashine ya kuosha Wa presha ifanye kazi.

4. Bonyeza kidude cha KUJARIBU (8,A). Kiwashiria (8,B) kinafaa kuwa kimezima
5. Bonyeza kidude cha kuseti upya (8,C). Kiwashiria (8,B) kinafaa kuwa kimewaka.



**ONYO!** Hatari ya kugongwa na nguvu za umeme. Kama kikatiza cha umeme hakifanyi kazi chaweza kusababisha kifo ama jeraha mwilini Kama kiashiria hakikai kikiwa kimewak baada ya kujaribu na kuseti upya, Usitumie PRCD.

6. Bonyeza switchi kuu ya Kuwasha/Kuzima Wa upande wa kuwasha (I) .
7. Elekeza bunduki Wa upande salama, Bonyeza kidude cha kufunga na ufinye triga.

Mashine itaanza na kuacha bunduki ya kufukiza inapofinywa na kuachiliwa.

### Nozeli ya 7-Wa-1 Umbo 12

Nozeli ya 7-Wa-1 huruhusu kuswitchi Wa namna saba tofauti za kufukiza. Wachilia triga Wa bunduki ya kufukiza kushirikisha kufuli ya salama kabla ya kubadilisha jinsi ya kufukiza.

1. Chagua namna unayopendelea ya kufukiza:
  - Chagua nozeli ya juu kabisa 0°(A) madoadao sugu kufika Wa safu kama ya sakafu, kutoa rangi, madoadao ya mafuta, utoaji wa kutu na madoadao mengine sugu (lami, gundi, grizi, nta, na kadhalika).
  - Chagua nozeli ya jumla ya 15°(B) Wa kuosha madoadao sugu, ama kazi ngumu ya kuosha. Bora ya utoaji wa grizi ama uchafu Wa sehemu ngumu. Pia yaweza kutoa rangi ianposhiWa Wa pembe ya 45°.
  - Chagua nozeli ya upole ya 40° (C) Wa kuosha Wa juu-juu Wa magari, tinga, mashua, RV's, samani ya patio, vifaa vya kutumiwa kukata nyasi, na kadhalika.
  - Chagua kufukiza Wa pepeo na sabuni nozeli (D) Wa mojawapo ya kusuuza uchafu mwepesi ama vifusi vya uchafu.
  - Chagua kifukuzi cha pepeo na nozeli ya sabuni (F) Wa sehemu zilizo tete, kama kuosha magari, lori, vifaa vya watoto vya kuchezea, samani ya patio, na kadhalika.
  - Chagua nozeli iliyoenezwa kufika mbali na inatoa sabuni (G) Wa kuosha Wa mtiririko wa haraka na maji kufika mbali, kama kuosha dirisha za ghorofa ama milango ya kutereza.
  - Chagua nozeli ya sabuni iliyoenezwa (H) kufikisha sabuni Wa ghorofa ya pili Wa dirisha na milango ya kutereza.
2. Zungusha kidude hadi ule mfumo unaotaka unaambatana na mshale Wa nozeli ya 7-Wa-1.

### Jinsi ya matumizi

- Wa mwosho mwafaka, weka nozeli kutoka 20 hadi 61 cm (8 hadi 24 in.) mbali na sehemu unayoosha.
- Ukipata nozeli karibu sana, hasa ukitumia nozeli ya presha ya juu, unaweza haribu sehemu inayooshwa.
- USI karibie kupita centimita 15 (6 in.) unapoosha tairi

### Kupaka sabuni Umbo 3



**ONYO!** Kemikali zaweza sababisha kuchomeka na kuishia Wa kifo ama majeraha kali. Usitumie oevu ya soda na mashine ya kuosha Wa presha. Tumia sabuni salama ya mashine ya kuosha Wa presha PEKEE. Fuata mmagizo ya watengenezaji wa bidhaa.

#### Kupaka sabuni, fuata hatua hizi:

1. Toa kifuniko cha tanki ya sabuni (D) na ujaze na mchanganyiko wa maji na sabuni. Rudisha kifuniko.
2. Hakikisha nozeli ya fukiza mfumo imechaguliwa ni 7-Wa-1.

**ILANI** Sabuni haiwezi paWa na nozeli ya presha ya juu (kijumla, tete, Fukiza ya pepeo ama iliyoenezwa ili kufika mbali).

3. Paka sabuni Wa sehemu iliyokauka, kuanzia Wa sehemu ya chini inayooshwa na kufanya kazi Wenda juu, ukitumia stroki refu na sawia.
4. Itikisha sabuni ichanganyike na maji vizuri, ukifuata maagizo ya watengenazaji wa bidhaa kable ya kuosha na kukamua

### Kusuuza Wa mashine ya kuosha ya presha

1. Chagua nozeli unayopendelea ya presha ya juu.



**ONYO!** Kurusha nyuma Wa bunduki ya kufuruza. Yaweza kusababisha kifo ama majeraha makali. Tumia mashine ya presha ya kuosha mahali imara Kuwa mwangalifu zaidi kama ni lazima utumie mashine ya presha ya kuosha kutoka Wa ngazi, juWaa ama eneo kama hilo. Shika bunduki ya kufukiza Wa nguvu Wa mikono yote miwili wakati unatumia presha ya juu kufukiza, ili kuepuka jeraha itokewapo bunduki ya kufukiza irushe nyuma.

2. Tumia presha ya juu kufukiza mahali ndogo na uangalie kama inaharibu hio mahali. Kama hakuna uharibifu, endelea kusuuza.
3. Anza kutoka sehemu ya juu ya kusuuza, ukifanya kazi kuendelea chini ukipishana miosho kama ulivyofanya ukiosha.

### Kuachisha mashine ya kuosha ya presha Umbo 3

1. Wachilia kidude cha bunduki ya kufukiza
2. Bonyeza switchi kuu ya kuwasha/kuzima (E) upande wa kuzima (0).

**ILANI** Kuachilia kidude huzima mashine lakini haizimi umeme Wa kila sehemu.

3. Zima mfereji unaoleta maji.
4. Daima elekeza bunduki ya kufukiza Wa upande salama, bonyeza kidude cha kufunga, na ufinye kidude kuachilia presha kutoka Wa sehemu.



**ONYO!** Mtiririko wa juu wa maji kutoka Wa hiki kifaa unaweza kata na kupita ngozi na tishu zilizo chini ya ngozi, na kusababisha majeraha makali na kuleta kilema. Weka pipu ya presha kali kama imeunganishwa na pampu na bunduki ya kufukiza wakati mtambo umejaa presha. USITIKISHE WATOTO kucheza na ama kutumia mashine ya kuosha Wa presha. DAIMA elekeza bunduki ya kufukiza Wa upande salama, finya kidude cha bunduki ya kufukiza kuwachilia presha ya juu, kila wakati unapozima mashine ya kuosha Wa presha.

5. Wachisha plagi ya PRCD ya kukatiza umeme (G) kutoka Wa sehemu ya kutokea na uzungushe waya Wa sehemu ya chini ya kibao cha vipengele.

- Fungilia pipu ya presha ya juu Wa kiopoo cha juu cha kibao cha vipengele.
- Hifadhi nozeli nyekundu ya presha ya juu Wa mwisho wa enezi ya nozeli. Hifadhi bunduki ya kufukiza, enezi ya nozeli, na nozeli ya 7-Wa-1 Wa kibao cha vipengele.

## Baada ya kila matumizi

Maji hayafai kubaki wa sehemu ya maji Wa muda mrefu. Mchanga ama madini yaweza kusanyika Wa sehemu za pampu na "kugandisha" kutenda kazi Wa pampu. Fuata utaratibu huu kila wakati baada ya matumizi:


- Endeleza mashine y akuosha Wa presha na sabuni Wa nozeli ya kufukiza hadi tanki ibaki tupu.
- Ongeza lita 0.5 za maji Wa tanki ya sabuni, na upitishie sabuni Wa nozeli ya kufukiza. Safisha Wa dakika moja ama mbili
- Bonyeza switchi kuu ya kuwasha/kuzima upande wa kuzima (0). Toa kamba ya kusambaza umeme kutoka Wa socketi.
- Zima usambazaji wa maji. Elekeza buduki ya kufukiza Wa upande salama, Bonyeza kidude cha kufunga, na ufinye kidude cha kuachilia presha iliyofungiwa Wa mashine.
- Toanisha pipu ya kuleta maji kutoka Wa mahali unatoa maji. Toanisha pipu ya presha ya juu kutoka Wa bunduki na mahali ya kutokea Wa presha ya juu
- Mwaga maji kutoka Wa mpira wa maji na bunduki ya kufukiza, na upanguze sehemu ya nje.
- Mwaga maji kutoka pampu Wa kuinamisha Wa upande wa kulia ( sehemu inayoleta maji ikiangalia chini) Wa dakika mbili. Inamisha upande huo mwingine na uegemeze Wa upande wa presha kali, Wa dakika zingine mbili.
- Zengeresha mpira wa maji ya presha ya juu Wa kiopoo cha juu cha kibao cha vipengele.
- Zungusha kamba ya stima Wa kiopoo cha chini cha kibao cha vipengele. Hifadhi bunduki ya kufukiza, enezi ya nozeli na nozeli ya 7-Wa-1 Wa kibao cha zana za kazi.
- Hifadhi sehemu Wa mahali safi, na pakavu.
- Kama unahifadhi Wa muda uliopita siku 30, ona sehemu ya hifadhi.

## Udumishaji

### Mapendekezo ya jumla

Kurekebisha kistima mara Wa mara itaboresha utendaji kazi na kurefusha maisha ya mashine ya kuosha Wa presha. Tembelea muuzaji wa Briggs & Stratton aliyedhibitishwa Wa huduma. USIITIKISHE watoto kuosha ama dumisha bila kusimamiwa.

Hati ya jukumu ya mashine ya stima ya kuosha Wa presha hailipi vipengele vilivyotumiwa Wa uzembe ama bila heshima na anyetumia mashine. Ili kupokea malipo ya dhamani kamili, anayetumia hii mashine lazima azingatie mashine ya kuosha Wa presha kama alivyoelekezwa Wa huu mwongozo, ikiwamo kuhifadhi vyema kama ilivyo amrishwa Wa *jinsi ya kuhifadhi*.

 **ONYO!** Kuhakikisha usalama wa mashine, tumia vipuri halisi kutoka Wa watengenezaji wa bidhaa ama vipuri vilivyodhibitishwa na watengenezaji wa hii mashine. Wakati unapopata swali kuhusiana na jinsi ya kurekebisha sehemu mbalimbali za mashine, Tafadhali tembelea tovuti yetu >BRIGGSandSTRATTON.COM. Ikiwa kamba imeharibika, tembelea Kituo cha Huduma Kilichoidhinishwa na Briggs & Stratton.

## Matengenezo ya nozeli

Safisha nozeli kurekebisha presha iliyopita inayosababishwa na kuzibika Wa mwisho wa kifaa cha kufukiza.

- Bonyeza swichi kuu ya kuwasha/kuzima upande wa kuzima (0). Toa kamba ya kusambaza umeme kutoka Wa socketi.
- Toa nozeli ya 7-Wa-1 kutoka Wa mwisho wa enezi ya nozeli.
- Tumia kigango kidogo kutoa nyenzo geni zinazofungana ama kuzuia nozeli.
- Simika tena nozeli 7-Wa-1 Wa enezi ya nozeli.

## Marekebisho ya Pete la umbo la Umbo 10

Matumizi ya mafuta ( petroli ama grizi) husaidia pete la umbo la o na kuboresha sili. Tumia mafuta Wa vipuri vya umbo la pete O kabla ya kufunga mpira wa maji wa presha ya juu (A), mpira wa maji wa presha ya juu (B), bunduki ya kufukiza (C), na wandi ya plastiki (D). Nunua mfuko wa kurekebisha kipuri cha umbo la O Wa Wasiliana na muuzaji aliyedhibitishwa na Briggs & Stratton. USIWAHI rekebisha unganishi zinazovuja na aina zingine za sili. Weka kipuri cha umbo ya pete ya O ama sili.

## Mchoro unaohusu Ubadilishaji Fyuzi ya

### PRCD Umbo 11



**ONYO!** Ili upunguze hatari ya moto, badilisha ukitumia fyuzi ya 13-amp BS 1362 pekee.

Ikiwa kuna fyuzi ndani ya PRCD:

- Fikia fyuzi kwenye upande wa pin wa kizibo cha PRCD.
- Ukitumia bisibisi yenye kichwa iliyonyooka, ondoa kifuniko (A) na vijenzi vya fyuzi. Ondoa fyuzi (B) kwenye kifuniko. Badilisha fyuzi ukitumia fyuzi ya 13-amp BS 1362 pekee.
- Ingiza kifuniko na vijenzi vya fyuzi.

## Kuhifadhi

Fuata hatua 1-10 Wa *Baada ya matumizi*.

**ILANI** Maji yanayowachwa ndani ya pampu yaweza kuganda na kuharibu pampu daima. Hati ya jukumu hailipi kuharibika Wa kuganda.

## Ulinzi wa pampu

Kulinda pampu kutokana na uharibifu uliosababishwa na kukusanyika Wa madini ama kuganda Wa maji, tumia 'PUMPSaver' kuzuia uharibifu unaotokana na kuganda Wa maji, na utumie mafuta Wa michi ya mashine na sili.

**ILANI** Kukosa kulinda sehemu kutokana na temprecha za kugandisha itaharibu pampu na kuifanya isiyoweza kufanya kazi. Hati ya jukumu hailipi kuharibika Wa kuganda.

## Namna ya mwisho ya kuhifadhi

- Zengeresha mpira wa maji ya presha ya juu Wa kiopoo cha chini cha kibao cha karakana.
- Zungusha ukamba wa kueneza umeme Wa kiopoo cha chini cha kibao cha karakana.
- Hifadhi ana ya kufukiza, enezi ya nozeli na nozeli ya 7-Wa-1 Wa kibao cha karakana.
- Funikia mashine na kifuniko cha kuinga kisichoshikilia maji na uhifadhi mahali safi, na pakavu salama kutoka na temprecha za kugandisha.

# Kutafuta shida

Tatizo	Chanzo	Rekebisha
<b>Pampu ina hizi shida: Kukosa kutoa presha, presha isiyolaini, kutoa sauti, kupoteza Wa presha, kiasi cha chini cha maji.</b>	<ol style="list-style-type: none"> <li>1. Kiingilio cha maji kimezibika</li> <li>2. Maji yanayoingia Wa mashine ni ndogo.</li> <li>3. Mpira wa maji unavuja.</li> <li>4. Skrini ya kuingilia maji imezibika</li> <li>5. Mwisho wa ana ya kufukiza imezibika</li> </ol>	<ol style="list-style-type: none"> <li>1. Safisha kiingilio cha maji</li> <li>2. Patia mashine maji ya kutosha kutoka Wa chanzo chako</li> <li>3. Nyoosha mpira wako wa maji ama weka mpira mwingine kama umevuja.</li> <li>4. Safisha ama weka upya skrini ya kuingilia maji</li> <li>5. Safisha mwisho wa kifukizi</li> </ol>
<b>Sehemu ya kunyunyiza maji haitoi ambapo bunduki ya kufukiza inapofinywa.</b>	<ol style="list-style-type: none"> <li>1. Chanzo cha maji hakijafunguliwa.</li> <li>2. Sehemu haijawashwa</li> <li>3. Mpira wa maji ni mrefu mno.</li> <li>4. Fyuzi imechomeka ama kifaa cha kukatiza stima hakifanyi kazi.</li> </ol>	<ol style="list-style-type: none"> <li>1. Washa chanzo cha usambazaji wa maji.</li> <li>2. Bonyeza swichi kuu ya kuwasha /kuzima upande wa kuwasha (I). Seti upya PRCD.</li> <li>3. Tumia pekee mita 15.24 (50 ft.) kipeo cha juu cha mpira wa maji.</li> <li>4. a.) Weka fyuzi ingine ama kikatizaji cha stima</li> <li>5. b.) Toanisha karakana zingine za stima na uzime mataa Wa mzunguko wa stima ama fanyisha kazi Wa mzunguko haswa. c.) Fanyisha kazi Wa muda wa dakika 5 na mwisho wa kifukiza na turbo</li> </ol>
<b>Sabuni inakosa kuchanagnyika na kifukiza.</b>	<ol style="list-style-type: none"> <li>1. Nozeli ya presha ya juu imesimiwa.</li> <li>2. Kiingilio cha maji kutoka Wa chanzo presha ni ya juu mno.</li> </ol>	<ol style="list-style-type: none"> <li>1. Simika mwisho wa nozeli ya kifukiza.</li> <li>2. Funga vali ya kiingilio cha maji polepole hadi kemikali ianze kutoka.</li> </ol>
<b>Unganishi za mpira wa maji zinavuja.</b>	<ol style="list-style-type: none"> <li>1. Mpira wa maji ni huru sana kuwezesha kuingia Wa maji.</li> <li>2. Mpira wa maji ya presha ya juu ni huru Wa viunganisho.</li> <li>3. Kipuri cha umbo la pete O kimeharibika.¶</li> </ol>	<ol style="list-style-type: none"> <li>1. Kaza Wa mkono mpira wa maji.</li> <li>2. Toa mpira wa maji na usimike tena.</li> <li>3. Weka kipuri kingine cha pete umbo la O.</li> </ol>

Wa matatizo mengine yoyote, Tembelea muuzaji aliyedhibitiwa na Briggs & Stratton.

## Umaalum wa mashine

Presha halali	MPa/BAR/PSI	16.0/160/2,320*
Kipeo cha juu cha mtiririko.	LPM/GPM	15.0/4.0*
Presha na mtiririko zilizopimwa	MPa/BAR/PSI @ LPM/GPM	12/120/1,740 @ 5.5/1.45
Usambazaji wa maji na temprecha	°C/°F	38/100
Volteji iliyopimwa	V	220 – 240
Mzunguko uliyopimwa	Hz	50/60
Matumizi ya stima	W	2,500
Mkondo	A	9.0
Darasa la ulinzi	Darasa	Darasa II
Digrii ya ulinzi	IP xx	IPX5
Mkono- Kutingisha Wa mkono $a_{hd}$ Bila uthubutifu K	$m/s^2$ $m/s^2$	$\leq 2.5^*$ $0.2^*$
Kiwango kinachofaa cha presha $L_{pA}$ Bila uthubutifu $K_{pA}$	dB(A) dB(A)	$74^*$ $2^*$
Kiwango kinachofaa cha presha $L_{WA}$	dB(A)	$94^*$
Uhakika sauti nguvu $L_{WAd}$	dB(A)	$96^*$

\* Per EN 60335-2-79: 2012.

## Azimio la Uzingatiaji la EC

### Lavorwash spa

Kupitia J.F.Kennedy, 12 – 46020 Pegognaga (MN) – Italia

Azimio hili la Uzingatiaji linatolewa chini ya wajibu wa kipekee wa mtengenezaji. Hii ni kuthibitisha kwamba vifaa vilivyoorodheshwa katika hati hii vinazingatia sheria husika ya uwianishaji ya Muungano na zinaweza kuwa na alama ya CE. Miundo hii inatii Maelekezo yanayofuata na Viwango husika.

**Bidhaa:** Mashine ya Kuoshea ya Presha ya Juu

**Muundo – Aina:** BPW1800PX

### Maelekezo

2006/42/EC (+2009/127/EC)

2006/95/EC

2004/108/EC

2000/14/EC (+2005/88/EC)

2011/65/EU (+2015/863/EU)

2014/35/EU ≥ 2016-04-20

2014/30/EU ≥ 2016-04-20

### Viwango vya Muungano wa Ulaya

EN 60335-1:2012

EN 60335-2-79:2012

EN 62233:2008

EN 55014-1:2006+A1:2009+A2:2011

EN 55014-2:1997+A1:2001+A2:2008

EN 61000-3-2:2006+A1:2009+A2:2009

EN 61000-3-3:2013

EN 50581:2012

Kiwango cha Nguvu ya Sauti

Kilichopimwa dB(A): **94**

Kinachothibitishwa dB(A): **96**

2000/14/EC: Kifaa hiki kimefafanuliwa na Na. 27 ya Kielezo I. Utaratibu wa utathmini wa uzingatiaji kulingana na Kielezo V.

Faili ya kiufundi iliyohifadhiwa katika Lavorwash spa, kupitia J.F.Kennedy, 12 - 46020 Pegognaga (MN) – Italia.

Lavorwash S.p.A

kupitia J.F.Kennedy, 12

46020 Pegognaga

(MN) - Italia Pegognaga, Oktoba 15, 2015



Giancarlo Lanfredi

Meneja Mkuu

**UDHAMINI MDOGO**

Briggs & Stratton inahakikisha kuwa, wakati wa udhamini, kama ilivyo elezwa vimaalum hapa chini, itatengeneza ama kuweka upya, bila malipo, sehemu yoyote ambayo ina hitilafu Wa kifaa ama ufanyi wa kazi ama zote. Mnunuzi atalipia usafirishaji wa bidhaa inapotelewa kurekebisha ama kubadilishwa. Hii cheti ya jukumu, ina ufanisi wakati maalum na masharti yaliyotangazwa hapa chini. Kupata huduma ya hii kibali, Tafuta muuzaji aliyekaribu nawe Wa ramani yetu katika BRIGGSandSTRATTON.COM. Mnunuzi lazima awasiliane na muuzaji aliyedhibitiwa, alafu alete bidhaa Wa muuzaji ili ikaguliwe na ijaribiwe.

**Hakuna njia ingine nyooofu ya kupokea udhamini Jukumu za kudokezwa, zinahusisha zile za uuzaji na uzime wa sababu haswa, zimeitikishwa hadi muda uliotangazwa hapa chini, ama hadi mahali sheria imeitikisha. Dhima ya uharibifu mwafaka ama madhara yameachwa nje hadi mahali upeo inaitikisha.** Nchi ama taifa zisizoitikisha mipaka ya hizi dhamini za kudokezwa na taifa zisizotenga labda hazitumiki Wako. Uhamini huu unakupa haki maalum na unaweza kuwa na haki zingine zinazotofautiana kutoka nchi hadi nyingine. \*\*

**MUDA WA UDHAMINI**

**Matumizi ya nyumbani      Matumizi Wa biashara**

Miezi 12

Hakuna

\*\* katika Australia- Bidhaa zetu zinakuja na hakikisho zisizo wachika nje sheria ya wanunuzi ya Australia. Una haki ya kubadilishwa ama kuridishiwa pesa shida kubwa na kurudishiwa pesa Wa hasara ambayo ingekupata Wa kutumia hii bidhaa. Una haki pia ya kutengenezwa na kupewa bidhaa nyingine kama bidhaa si za hali ubora unaotakikana na shida haiteti shida kubwa. Wa huduma ya udhamini, tafuta muuzaji aliyekaribu nawe Wa ramani yetu Wa BRIGGSandSTRATTON.COM, ama Wa kupiga simu 1300 274 447, ama kutuandikia barua pepe Wa salesinquiries@briggsandstratton.com. Ama kuandika barua Wa Briggs & Stratton Australia Pty Ltd, 1 Moorebank Avenue, NSW, Australia, 2170.

Muda wa udhamini huanza tarehe ya mnunuzi wa Wanza wa rejareja ama mununuzi wa biashara. "Mnunuzi wa kutumia nyumbani" inamaanisha unatumia hii bidhaa nyumbani pekee. "Matumizi Wa Biashara" Inamaanisha matumizi mengine, ikiwamo matumizi Wa biashara, kazi inayoleta pesa ama kukodisha. Baada ya bidhaa kutumiwa Wa njia ya biashara, kutoka hapo inachukiliwa kama bidhaa ya kutumiwa Wa biashara.

Kuhakikisha upesi na huduma kamili ya udhamini, sajili bidhaa yako katika tovuti yetu ama www.onlineproductregistration.com, ama utume Wa barua kadi ya usajili iliyojazwa kama umepewa, ama piga simu 1-800-743-4115 (kama uko USA)

Hifadhi ithibati ya kuashiria risiti ya ununuzi. Kama hutapeana ithibati ya siku ya Wanza ya ununuzi wakati cheti cha udhamini kinaitishwa, siku ya utengenezaji wa hii bidhaa hutumiwa kuamua muda wa udhamini. KUusajiliwa Wa bidhaa hakuhitajiki kupata huduma ya udhamini Wa bidhaa za Briggs & Stratton.

**KUHUSU UDHAMINI WAKO**

Huduma ya udhamini inapatikana kutoka tu Wa wauzaji waliodhibitiwa na Briggs & Stratton. Marekebisho yanayotokana na udhamini, hufanyiwa kazi mara Wa mara, lakini kuna wakati dai la huduma ya udhamini si ya kufaa. Udhhamini hushughulikia kasoro za vifaa na ufanyi kazi. Haishughulikii uharibifu unaotokana na kutumia bidhaa vibaya ama kuihifadhi vibaya, kuzeeka Wa kawaida, ama kutumiafueli iliyoharibika ama mafuta isiyokubalishwa.

**Matumizi yasiyofaa** - Matumizi ya hii bidhaa imeelezwa Wa mwongozo wa mtumizi. Kutumia hii bidhaa Wa njia ambayo haijalezwa Wa mwongozo wa matumizi ama kutumia bidhaa baad ya kuharibika haitashughulikiwa na udhamini huu. Hautashughulikiwa na udhamini kama namba maalum iliyo Wa bidhaa imetolewa ama bidhaa imefanyiwa mabadilisho Wa njia yoyote ile, ama kama bidhaa inaonyesha kutumiwa vibaya kama kuharibiwa na maji ama uharibifu wa kuchomeka Wa kemikali.

**Marekebisho mabaya ama matengenezo mabaya**- Hii bidhaa lazima idumishwe kufuata utaratibu na ratiba iliopatiwanwa na mwongozo wa mtumizi, na kurekebisha ama kutengenezwa kutumia sehemu halisi za Briggs & Stratton ama sawia. Uharibifu unaotokana na kukosa kudumishwa ama matumizi ya vipengele visivyo halisi visivyo shughulikiwa na udhamini.

**Kuisha na kupasuka Wa kawaida** – Kama mashine nyingi za mitambo, hii bidhaa itaisha ata kama imedumishwa vizuri. Udhhamini huu haishughulikii urekebishaji wakati matumizi ya kawaida imemaliza maisha ya kipengele ama kifaa. Matengenezo na kuisha Wa vipengele kama vichujia, mishipi, visu vya kukata na pedi za breki (isipokuwa pedi za breki ya injini) hazijashughulikiwa na udhamini kutokana na kuisha pekee, ila kama imesababishwa na kasoro ya vifaa ama utendaji kazi.

**Fueli iliyoharibika ama isiyo itikishwa** - Ili itende kazi vizuri, hii bidhaa inafaa fueli safi inayokubaliana na vigezo vilivyokatika mwongozo wa matumizi. Injini ama kifaa kuharibika kusababishavyo na matumizi ya fueli iliyoharibika ama matumizi ya mafuta yasiyoitikishwa kama (E15 ama E85 blandi za ethanol) hazijashughulikiwa na udhamini.

**Vivuo vingine** - Udhhamini huu umetenga uharibifu kutokana na ajali, matumizi mabaya, urekebishaji, kuhumia mashine vibaya, kuganda ama kuchomeka na kemikali. Viongezo ama vifaa vingine visivyokuwa vimefungwa na hii bidhaa pia vimetengwa. Hakuna udhamini wa kushughulikia kama kifaa kinachotumiwa kama msingi wa stima Wa mahali ya stima y a kushirikiana ama kifaa kinatumia Wa mashine ya kuasidia kupumua. Udhhamini huu haishughulikii, mahine iliyotumiwa hapo awali, iliyorekebisha, imenunuliwa mara ya pili, ama vifaa ama injini za maonyesho. Udhhamini huu pia umetenga shida zinazotokana na vitendo vya mungu ama nje ya uwezo wa mtengenezaji wa bidhaa.

## İçindekiler

Güvenlik ve Kontrol Sembolleri . . . . .	4
Donanımın Tanımı . . . . .	4
Kurulum . . . . .	5
Özellikler ve Kontroller . . . . .	5
Çalışma . . . . .	5
Bakım . . . . .	7
Depolama . . . . .	7
Sorun Giderme . . . . .	8
Teknik Özellikler . . . . .	8
Garanti . . . . .	10

## Güvenlik ve Kontrol Simgeleri

Bir güvenlik simgesi tehlike tipini belirtmek için kullanılabilir. UYARI önlenmediği takdirde ölüm veya ciddi yaralanmayla sonuçlanabilecek tehlikeyi gösterir. DİKKAT kişisel yaralanmayla ilgili olmayan uygulamaları belirtir.



Kılavuzu Okuyun



Elektrik Çarpması



Sıvı Enjeksiyonu



Güvenlik Alarmı Simgesi



Düşme



Uçan Cisimler



Yangın



Kimyasal Yanık



Açık



Kapalı



İçilmez su



Püskürtme tabancasını asla kendinize, başkalarına ve hayvanlara doğrultmayın. Bir güç kaynağının veya ürünün kendisinin yakınında asla püskürtme işlemi yapmayın.

Bu makine, gözetim yapılması, güvenli çalıştırma ile ilgili talimatların verilmesi ve söz konusu tehlikelerin anlaşılması söz konusu olmadığı müddetçe, düşük fiziksel, duyuşsal ya da zihinsel yetenekleri olan, ya da deneyimsiz veya bilgisiz kişilerin (çocuklar dâhil) kullanımına yönelik değildir.

### UYARI

- Bu makine üretici tarafından tedarik edilen veya tavsiye edilen temizlik maddesi ile kullanılmak üzere tasarlanmıştır. Diğer temizlik maddelerinin veya kimyasalların kullanılması makinenin güvenliğini olumsuz olarak etkileyebilir.
- Yüksek basınçlı püskürtme hatalı kullanıma maruz kalırsa tehlikeli olabilir. Püskürtme kişilere, elektrik bulunan ekipmanlara veya makinenin kendisine yöneltilmemelidir.

- Koruyucu giysiler giymiyorlarsa, makineyi insanlara yakın kullanmayın.
- Giysileri veya ayakkabıları temizlemek amacıyla kendinize veya diğerlerine doğru püskürtmeyi yöneltmeyin.
- Patlama riski – Yanıcı sıvıları püskürtmeyin.
- Yüksek basınçlı temizleyiciler çocuklar veya eğitim almamış personel tarafından kullanılmalıdır.
- Yüksek basınçlı hortumlar, tertibatlar veya bağlantılar makine emniyeti için önemlidir. Sadece üretici tarafından tavsiye edilen hortumları, tertibatları ve bağlantıları kullanın.
- Makinenin güvenliğini sağlamak için, sadece üreticinin orijinal yedek parçalarını veya üretici tarafından onaylı olanları kullanın.
- Geri akış engelleyiciden akan suyun içilmez olduğu kabul edilir.
- Temizleme veya bakım sırasında ve parçaları değiştirirken elektriği kesmek için prizi fişten çekin.
- Kordon veya makinenin önemli parçaları örneğin güvenlik aygıtları, yüksek basınç hortumları, tetikli tabanca hasar görmüşse makineyi kullanmayın.
- Bu elektrikli basınçlı yıkayıcı ile bir uzatma kablosu kullanmayın.
- Makineyi denetimsiz bırakırken daima ana sviçten kapatın.

## Donanımın Tanımı



Bu rehberi dikkatle okuyun ve basınçlı yıkayıcıyı yakından tanıyın. Uygulamalarını, kısıtlamalarını ve oluşturabileceği tehlikeleri öğrenin. Bu orijinal talimatları ileride başvurmak üzere saklayın.

Bu elektrikli basınç rondelası, 15,00 LPM'ye (dakikada litre) (4,0 GPM (dakikada galon)) kadar akış hızında en fazla 12,0 MPa'da (120 BAR veya 1,740 PSI (pound inç kare)) çalışır. Bu rehberdeki bilgilerin tam ve güncel olmasını sağlamak için her türlü çaba harcanmıştır. Bununla birlikte, ürünü ve bu belgeyi önceden haber vermeden değiştirme veya geliştirme hakkını saklı tutuyoruz.

**DİKKAT** Kullanım amacı hakkında sorularınız varsa, bayiye sorun ya da yetkili servis merkeziyle temas kurun. Üniteleri ASLA bozuk veya eksik parçalarla ya da koruyucu kılıf veya örtüler olmadan kullanmayın. Bu makinede hiçbir güvenlik gerecini DEVRE DIŞI BIRAKMAYIN. Hiçbir şekilde basınçlı yıkayıcıda değişiklik YAPMAYIN. Bu donanım SADEC EBriggs & Stratton şirketinin onay verdiği parçalarla kullanılacak şekilde tasarlanmıştır.

### POWERflow+ Teknolojisi™

Briggs & Stratton'un POWERflow+ Teknolojisi yüksek akış özelliğini sunmak için birlikte çalışan bir bileşenler sistemidir. POWERflow+'un arkasındaki güç iki ayrı temizleme modu ile pompasındadır: geniş uzanma, güçlü sabunlama ve hızlı durulama yetenekleri sağlayarak temizliği zenginleştiren yüksek basınç ve yüksek akımdır.

## Taşınabilir Artık Akım Cihaz Koruması

Bu basınç yıkayıcı güç kaynağı kablosunun tapasına yerleştirilmiş taşınabilir artık akım cihazı (PRCD) ile birlikte sağlanır. Bu cihaz elektrik çarpma riskine karşı ek koruma sağlamaktadır. PRCD 10 mA koruma sağlar.

## Otomatik Kapatma

Püskürtme tabancasının tetiği boşa veya kilitli olduğunda bir sensör motoru kapatacaktır. Püskürtme tabancasının tetiği boştaiken veya kilitliken motor çalışmaya devam ederse, MAKİNEYİ KULLANMAYIN. Yetkili bir Briggs & Stratton servis satıcısı ile iletişime geçin.

**DİKKAT** Basınçlı yıkayıcı kullanılmıyorken AÇMA/KAPAMA düğmesi daima KAPALI (0) konumda olmalıdır.

## Motor Aşırı Yüklenmesi

Aşırı yüklenme koruma cihazı motor aşırı ısınır veya aşırı akım çekerse, motoru otomatik olarak kapatır. Cihaz takılırsa, ana AÇMA/KAPAMA düğmesini KAPALI (0) konuma getirerek gücü kesin. 30 dakika kadar üniteyi soğumaya bırakın ve AÇMA/KAPAMA düğmesinde AÇMA (I) konumuna basın.

## AB Dahilinde İmha



Bu sembol, bataryaların veya elektrikli ya da elektronik ekipman sahibinin bu ürünü ayrıştırılmamış kentsel atıklarla imha etmemeniz gerektiğini belirtir. Bu ürün çevresel olarak uygun atık yerlerinde imha edilmelidir. Lütfen ilave imha bilgilerine yönelik olarak Briggs & Stratton veya yerel satıcınızla irtibat kurun.

## Kurulum

### Destek Tüplerinin ve Kabzanın Takılması

#### Şekil 1 2

1. Destekleri (1,A) yuvalara doğru kaydırın. Vidalarla aynı hizaya getirin ve takın (1,B). Sıkarken aynı hizada olmasına özen gösterin.
2. Kabzayı desteğin üzerine (2,A) yerleştirin ve delikleri aynı hizaya getirin.
3. Taşıyıcı civataları (2,B) ünitenin içindeki deliklerden geçirin, plastik mandalı takın (2,C) ve sıkılaştırın.

## Özellikler ve Kontroller Şekil 3

A	Püskürtme Tabancası	G	PRCD ile Elektrik Kablosu
B	Yedisi Bir Arada Püskürtme Başlığı	H	Tanıtım Etiketi
C	Aksesuar Tepsisi	J	Su Kaynağı Girişi
D	Deterjan Tankı	K	Yüksek Basınç Çıkışı
E	Ana AÇMA/KAPAMA Düğmesi	L	Püskürtme Başlığı Uzantısı
F	Yüksek Basınç Hortumu		

## Çalışma

### Hortumun ve Su Giriş Pompasının Takılması

#### Şekil 3 4 6

**DİKKAT** YALNIZCA soğuk su kullanın (38°C (100°F)'den daha az).

1. Yüksek basınç hortumunu (3,F) tabancaya (3,A) vidalayın.
2. Mavi yüksek basınç hortumunu (3,F) çıkışa takın (3,K) ve sıkın.
3. Su giriş ekranını ve siyah lastik yıkayıcının su giriş kaplinin takılıp takılmadığını (4,A) kontrol edin.
4. Su giriş kaplinini (4,B) girişe takın ve sıkın.

**DİKKAT** En iyi performans için, elektrikli basınçlı yıkayıcı bahçe hortumunun sonuna YALNIZCA 5 GPM'den (18,9 l) ve 25-75 psi'den (1,72-5,17 bar) daha yüksek su kaynağı sağlayabilecek kaynaklara bağlayın.

5. Kir birikintilerini temizlemek için bahçe hortumundan su aktırın.

**DİKKAT** Pompa girişinde bir geri akış engelleyicisi kullanılması pompaya zarar verebilir. Basınçlı yıkayıcı girişi ile geri akış engelleyicisi arasında en az 3 m (10 ft.) serbest bahçe hortumu OLMALIDIR.



**UYARI!** Bir geri akış engelleyicisinden geçen su, içilmez olarak kabul edilmektedir.

6. Bahçe hortumunu (4,C) (15 metreyi (50 fit) geçmeyen) su girişine bağlayın (4,B) ve sıkılaştırın.
7. Suyu AÇIN, tabancayı güvenli olacak bir yöne doğrultun, tetik kilidi düğmesine basın (5,A) ardından sistemin havayı boşaltması için tetiği sıkın.
8. Başlık uzantısını (3,L) püskürtme tabancasına (3,A) ekleyin. Elinizle sıkın.
9. Püskürtücü başlığı uzantısının kelepçesini geri çekin (7,A), yedisi bir arada başlığı (7,B) içine takın ve kelepçeyi bırakın. Püskürtme ucunu çekerek yerine güvenle takıldığından emin olun. *Yedisi Bir Arada Başlık Bölümüne Bakın.*

## Basınçlı Yıkayıcının Çalıştırılması Şekil 3 9



**UYARI!** Püskürtme ciddi yaralanmalara sebep olacak şekilde geriye doğru sıçrayabilir veya cisimleri yerinden oynatabilir. Bu donanımın çevresinde çalışırken her zaman ANSI Z87.1 koşullarına uyduğu işaretlenmiş olan endirekt havalı (kimyasal sıçratma) güvenlik gözlükleri takın.

1. Ana AÇMA/KAPAMA düğmesini (3,E) KAPALI (0) konuma getirin.



**UYARI!** Elektrik çarpması sonucu ölüm riski. Güç kaynağı ile temas elektrik çarpmasına veya yanığa neden olarak ölüme veya ciddi yaralanmaya yol açabilir. Bu elektrikli basınç yıkayıcı ile uzatma kablosu KULLANMAYIN. Evinizin elektrik akım prizi veya uzatma kablosu hayat kurtaran taşınabilir artık akım cihaz koruması sağlamayabilir.

2. Elektrik güç kablosunu (3,G) tüm yerel kurallar ve yönetmelikler ile uyumlu şekilde takılmış 10 Amps'de 220 - 240 volt dereceli elektrik devresine takın. Devre diğer elektrik ihtiyaçlarını karşılamak için değildir.
3. SIFIRLA düğmesine basın (8,C). Gösterge ışığı (8,B) AÇIK olmalıdır.

**DİKKAT** Elektrikli basınçlı yıkayıcının çalışması için gösterge ışığı AÇIK olmalıdır.



**UYARI!** Elektrik çarpması sonucu ölüm riski. Çalışmayan PRCD ölümlü veya fiziksel yaralanma ile sonuçlanabilir. Testten ve sıfırlamadan sonra gösterge ışığı AÇIK olarak kalmıyorsa PRCD'yi kullanmayın.

4. TEST düğmesine basın (8,A). Gösterge ışığı (8,B) KAPALI olmalıdır.
5. SIFIRLA düğmesine basın (8,C). Gösterge ışığı (8,B) AÇIK olmalıdır.
6. AÇIK (I) konumuna getirmek için ana AÇIK/KAPALI düğmesine basın.
7. Tabancayı güvenli olan bir yöne doğrultun, tetik kilidi düğmesine basın ve tetikleyciyi sıkın.

Püskürtme tabancasının tetikleycisi sıkıldığında ve serbest bırakıldığında motor çalışacak ve duracaktır.

## Yedisi Bir Arada Püskürtücü Başlığı Şekil 12

Yedisi bir arada püskürtme başlığı yedi ayrı püskürtme başlığı arasında geçiş yapmanızı sağlar. Püskürtme düzenini değiştirmeden önce güvenlik kilidini devreye almak için püskürtme tabancasındaki tetikleyiciyi serbest bırakın.

- İsteddiğiniz püskürtme düzenini seçin:
  - İnatçı ya da erişilmesi zor yüzeyler, örneğin ikinci kat yüzeyleri, boya çıkarma, yağ lekeleri, pas çıkarma ya da diğer inatçı maddeler (katran, zambak, gres yağı, mum, vb.) için Maksimum 0° (A) püskürtme başlığını seçin.
  - Daha zor temizlik işleri için Genel 15° (B) püskürtücü başlığını seçin. Sert yüzeylerden gres yağını ve kiri çıkarmak için ideal. Ayrıca 45° açıyla tutulduğunda boyayı da sıyrabilir.
  - Otomobil/kamyonların, teknelerin, karavanların, taraçaların, avlu donanımlarının vb. nazik temizliği için Nazik 40° (C) püskürtücü başlığını seçin.
  - Hafif kir ve döküntülerin optimum yüksek akışla yıkamak için Fan Püskürtmesi (D) püskürtücü başlığını seçin.
  - Otomobillerin, kamyonların, çocuk oyunu donanımlarının, taraça mobilyalarının vb. hassas yüzey temizliği için Sabunla Fan Püskürtme (F) püskürtücü başlığını seçin.
  - İkinci kat yan kaplamalarının ve pencerelerinin çabuk yüksek akışlı temizliği ve uzun erimli temizliği için Uzun Erim (G) püskürtücü başlığını seçin.
  - İkinci kat yan kaplamaları ve pencerelerine sabun göndermek için Sabunla Uzun Erim (H) püskürtücü başlığını seçin.
- İstenen püskürtme düzeni yedisi bir arada püskürtücü başlığında okla aynı hizaya gelene kadar kadranı çevirin.

### Kullanım Önerileri

- En etkili temizlik için püskürtme başlığını yıkama yüzeyinden 20 ila 61 cm (8 ila 24 inç) uzakta tutun.
- Özellikle yüksek basınçlı uç kullanırken püskürtme ucunu çok yakın tutarsanız yıkadığınız yüzeye zarar verebilirsiniz.
- LASTIKLERİ YIKARKEN 15 cm.den (6 inç) daha yakına yaklaşmayın.

### Deterjan Uygulanması Şekil 3



**UYARI!** Kimyasallar ölümle veya ciddi yaralanmayla sonuçlanan yanıklara neden olabilir. Basınçlı yıkayıcıda kostik sıvı KULLANMAYIN. YALNIZCA basınçlı yıkayıcı için güvenli deterjanlar/sabunlar kullanın. İmalatçının talimatlarına uyun.

### Deterjan uygulamak için aşağıdaki adımları izleyin:

- Deterjan tankının kapağını kaldırın (D) ve deterjan solüsyonunu doldurun. Kapağı kapatın.
- Yedisi bir arada püskürtme başlığında sabun püskürtme düzenli püskürtme başlıklarından birinin seçildiğinden emin olun.

**DİKKAT** Deterjan yüksek basınçlı bir püskürtücü başlığı ayarıyla (maksimum, genel, nazik, fan püskürtmesi ya da uzun erim) uygulanamaz.

- Deterjanı kuru bir yüzeye uygulayın. Yıkacak alanın alt bölümünden başlayarak uzun, eşit, birbirinin üzerine gelen darbelerle yukarıya doğru çalışın.
- Deterjanın yıkama ve durulamadan önce deterjan imalatçısının talimatlarına uygun olarak yüzeyi "ıslatmasını" bekleyin.

### Basınçlı Yıkayıcı ile Durulama

- Tercih edilen yüksek basınçlı püskürtme başlığını seçin.



**UYARI!** Püskürtme tabancasının geri tepmesi düşerek ölümünüze veya ciddi şekilde yaralanmanıza neden olabilir. Basınçlı yıkayıcıyı sağlam bir zeminde çalıştırın. Basınçlı yıkayıcıyı bir merdiven, yapı iskelesi veya benzer bir yerde çalıştıracaksanız son derece dikkatli olun. Yüksek basınçlı püskürtme yaparken püskürtme tabancasının geri teperek yaralanmaya neden olmaması için püskürtme tabancasını her iki elinizle sıkıca tutun.

- Yüksek basınçlı püskürtmeyi önce küçük bir alana uygulayın ve hasar için yüzeyi kontrol edin. Hasar yoksa durulamaya devam edin.
- Durulanacak alanın üst kısmından başlayın ve temizlikte yaptığınız gibi üst üste binen darbelerle aşağıya doğru çalışın.

### Basınçlı Yıkayıcının Çalıştırılması Şekil 3

- Püskürtme tabancası tetikleyicisini serbest bırakın.
- Ana AÇMA/KAPAMA düğmesini (E) KAPALI (0) konuma getirin.

**DİKKAT** Tetikleyicinin serbest bırakılması motoru kapatacaktır ama ünitenin elektrik gücünü kapatmaz.

- Su girişini kapatın.
- Püskürtme tabancasını DAİMA güvenli olacak şekilde doğrultun ve üniteye yerleşik basıncı boşaltmak için tetikleyiciyi sıkın.



**UYARI!** Bu donanımın ürettiği yüksek basınçlı su akışı cildi ve cilt altındaki dokuları keserek ciddi yaralanmaya ve muhtemel amputasyona (uzun kesilmesi) yol açabilir. Sisteme basınç verildiğinde yüksek basınç hortumunu pompaya ve püskürtme tabancasına bağlı tutun. **ÇOCUKLARIN** basınçlı yıkayıcıyı çalıştırmasına İZİN VERMEYİN. Basınçlı yıkayıcıyı her kapattığınızda, püskürtme tabancasını DAİMA güvenli olacak şekilde doğrultun, yüksek basıncı boşaltmak için püskürtme tabancasının tetikleyicisini sıkın.

- PRCD prizinin bağlantısını (G) çıkıştan ve aksesuar tepsisinin arka kancalarındaki sargı güç kablolarından kesin.
- Yüksek basınçlı hortumu aksesuar tepsisinin sargısına sarın.
- Kırmızı yüksek basınçlı püskürtme başlığını püskürtme başlığı uzantısının ucunda saklayın. Püskürtme tabancasını, püskürtme başlığı uzantısını ve yedisi bir arada püskürtme başlığını aksesuar tepsisinde saklayın.

## Her Kullanımdan Sonra

Ünitede uzun süre su kalmaması gerekir. Pompa parçalarında birikintiler, çökeltiler veya mineraller kalabilir ve pompanın işleyişini durdurabilir. Her kullanımdan sonra aşağıdaki işlemleri yapın:

1. Tank boşalana kadar basınçlı yıkayıcıyı sabunlu püskürtme başlığı ile çalıştırın.
2. Deterjan tankına 0,5 litre su ekleyin ve abunlu püskürtme başlığı ile çalıştırın. Bir ila iki dakika akıtın.
3. KAPALI (0) konumuna getirmek için ana AÇIK/KAPALI düğmesine basın. Elektrik çıkışından güç kablosunu prizini çıkarın.
4. Su girişini kapatın. Birikmiş basıncı boşaltmak için tabancayı güvenli olan bir yöne doğrultun, tetik kilidi düğmesine basın ve tetikleyciyi sıkın.
5. Su girişinden bahçe hortumunun bağlantısını kesin. Yüksek basınç hortumunun bağlantısını tabancadan ve yüksek basınç çıkışından kesin.
6. Hortumdan ve püskürtme tabancasından suyu tahliye edin ve tüm dış yüzeyleri temizleyin.
7. İki dakika boyunca ünitenin sağ tarafına doğru (su girişi aşağı bakacak şekilde) eğerek pompadan suyu tahliye edin. Üniteyi döndürerek, fazladan iki dakika kadar yüksek basınç çıkışını beklemeye bırakın.
8. Yüksek basınçlı hortumu aksesuar tepsinin sargısına sarın.
9. Aksesuar tepsi sargısının altına güç kablosunu sarın. Püskürtme tabancasını, püskürtme başlığı uzantısını ve yedisi bir arada püskürtme başlığını aksesuar tepsinde saklayın.
10. Üniteyi temiz ve kuru bir yerde saklayın.
11. 30 günden fazla depolanacaksa Depolama bölümüne bakın.

## Bakım

### Genel Öneriler

Düzenli bakım performansı geliştirecek ve basınçlı yıkayıcının ömrünü uzatacaktır. Servis için herhangi bir Briggs & Stratton Yetkili Servis Satıcısına başvurun. Çocukların basınçlı yıkayıcıyı gözetimsiz çalışmalarına İZİN VERMEYİN.

Elektrikli basınç yıkayıcısının garantisi amacı dışında kullanımı ve ihmale maruz kalmış öğeleri kapsamaz. Garantiden tam olarak yararlanmak için operatör, basınçlı yıkayıcıyı *Depolama* bölümünde ayrıntılı olarak açıklanan uygun depolama dahil olmak üzere bu kılavuzda belirtildiği şekilde bakımı yapmalıdır.



**UYARI!** Makine güvenliğini temin etmek için sadece üreticiden gelen ya da üretici tarafından onaylanmış orijinal yedek parçalar kullanın. Basınçlı yıkayıcınızın bileşenlerinin değiştirilmesi hakkında sorularınızın olması halinde lütfen **BRIGGSandSTRATTON.COM** adresinden web sitemizi ziyaret edin. Kordon hasar görmüşse, Briggs & Stratton Yetkili Servis Merkezini arayın.

## Püskürtücü Başlığı Bakımı

Püskürtücü ucunu temizleyerek tıkanmış püskürtücü uçlarının neden olduğu aşırı pompa basıncını düzeltin:

1. KAPALI (0) konumuna getirmek için ana AÇIK/KAPALI düğmesine basın. Elektrik çıkışından güç kablosunu prizini çıkarın.
2. Yedisi bir arada püskürtme başlığını, püskürtme başlığı uzantısından çıkarın.
3. Küçük bir kağıt klipsi kullanarak püskürtücü ucunu tıkayan veya engelleyen yabancı maddeleri temizleyin.
4. Yedisi bir arada püskürtücü başlığı başlık uzantısına yeniden takın.

## O-Halkası Bakımı Şekil 10

Bir kaydırıcı yağ (petrol veya sentetik yağ) kullanılması o-halkaların oturarak gelişmiş bir sızdırmazlık sağlamasına yardım eder. Yüksek basınçlı hortumu (pompa ucu) (A), yüksek basınçlı hortumu (B), püskürtme tabancası (C), ve plastik çubuğu (D) birleştirmeden önce o-halkalara kaydırıcı yağ uygulayın.

Bir Briggs & Stratton Yetkili Servisi ile iletişim kurarak bir O-Halka Bakım Seti satın alın. Sızdıran bağlantıları ASLA herhangi türde bir yalıtım maddesi ile tamir etmeyin. O-halkayı veya contayı değiştirin.

## PRCD Sigorta Değiştirme Şeması Şekil 11



**UYARI!** Yangın tehlikesini en aza indirmek için, sadece 13-amp BS 1362 sigorta ile değiştirin.

PRCD içinde sigorta mevcutsa:

1. PRCD fişinin pin tarafında sigorta yerini bulun.
2. Düz başlı bir tornavida kullanarak, kapak (A) ve sigorta tertibatını çıkartın. Sigortayı (B) kapaktan çıkartın. Sigortayı 13-amp BS 1362 sigorta ile değiştirin.
3. Kapağı ve sigorta tertibatını yerine yerleştirin.

## Depolama

*Her Kullanımdan Sonra bölümündeki 1-10. adımları takip edin.*

**DİKKAT** Pompa içinde kalan su donabilir ve pompaya kalıcı zararlar verebilir. Donma hasarı garanti kapsamında değildir.

## Pompanın Korunması

Pompayı mineral birikiminin veya donmanın neden olduğu hasardan korumak için PumpSaver (Pompa Koruyucu) kullanın. Bu donmayı önleyecek ve pistonları ve contaları yağlayacaktır.

**DİKKAT** Ünitenin donma derecelerindeki soğuklardan korunmaması pompaya zarar verecek ve üniteyi çalışamaz duruma getirecektir. Donma hasarı garanti kapsamında değildir.

## Son Depolama Önerileri

1. Yüksek basınçlı hortumu aksesuar tepsinin sargısına sarın.
2. Aksesuar tepsi sargısının altına güç kablosunu sarın.
3. Püskürtme tabancasını, püskürtme başlığı uzantısını ve yedisi bir arada püskürtme başlığını aksesuar tepsinde saklayın.
4. Üniteyi nem almayacak bir koruyucu örtü ile örtün ve donma derecelerinden korumak için temiz ve kuru alanda saklayın.

# Sorun Giderme

Sorun	Nedeni	Düzeltilmesi
<b>Pompada şu sorunlar var: basınç üretememe, dengesiz basınç, çitirdama, basınç kaybı, düşük su hacmi.</b>	<ol style="list-style-type: none"> <li>1. Su girişi bloke olmuş.</li> <li>2. Yetersiz su girişi.</li> <li>3. Giriş hortumu katlanmış veya sızdırıyor.</li> <li>4. Tıkanmış su giriş ekranı.</li> <li>5. Püskürtme ucu tıkanmış.</li> </ol>	<ol style="list-style-type: none"> <li>1. Girişi temizleyin.</li> <li>2. Yeterli su akışı sağlayın.</li> <li>3. Sızma varsa bahçe hortumunu düzeltin veya değiştirin.</li> <li>4. Su giriş ekranını temizleyin veya yenileyin.</li> <li>5. Püskürtme ucunu temizleyin.</li> </ol>
<b>Püskürtme tabancası tetikleyicisi sıkıldığında ünite başlatılamıyor.</b>	<ol style="list-style-type: none"> <li>1. Su kaynağı açılmamış.</li> <li>2. Ünite açılmamış.</li> <li>3. Bahçe hortumu çok uzun.</li> <li>4. Sigorta yanmış veya devre kesici takılmış.</li> </ol>	<ol style="list-style-type: none"> <li>1. Su kaynağını açın.</li> <li>2. AÇIK (I) konumuna getirmek için ana AÇIK/ KAPALI düğmesine basın. PRCD'yi sıfırlayın.</li> <li>3. Yalnızca maksimum 15.24 m (50 fit) bahçe hortumu kullanın.</li> <li>4. a.) Sigortayı değiştirin veya devre kesiciyi sıfırlayın.</li> <li>5. b.) Diğer elektrikli cihazların bağlantısını kesin ve devredeki ışıkları kapatın veya atanmış devreyi çalıştırın. c.) Turbo püskürtme ucuyla 5 dakika çalıştırın.</li> </ol>
<b>Deterjan spreyle karışmıyor.</b>	<ol style="list-style-type: none"> <li>1. Yüksek basınçlı püskürtme başlığı takılı.</li> <li>2. Giriş su kaynak basıncı çok yüksek.</li> </ol>	<ol style="list-style-type: none"> <li>1. Püskürtme başlığı püskürtme ucunu takın.</li> <li>2. Kimyasallar akmaya başlayana kadar su kaynağı valfini yavaşça kapatın.</li> </ol>
<b>Hortum bağlantıları sızdırıyor.</b>	<ol style="list-style-type: none"> <li>1. Bahçe hortumu su girişi için geniş.</li> <li>2. Yüksek basınçlı hortum bağlantılarını gevşetin.</li> <li>3. O-Halka hasarlanmış.¶</li> </ol>	<ol style="list-style-type: none"> <li>1. Sıkılmış bahçe hortumunu alın.</li> <li>2. Hortumu çıkarın ve yeniden takın.</li> <li>3. O-halkayı değiştirin.</li> </ol>

Bütün diğer sorunlarda bir Briggs & Stratton Yetkili Bayisi ile görüşün.

Spesifikasyonlar		
İzin Verilen Basınç	MPa/BAR/PSI	16.0/160/2,230*
En Yüksek Akış	LPM/GPM	15.0/4.0*
Nominal Basınç ve Akış	MPa/BAR/PSI @ LPM/GPM	12/120/1,740 @ 5.5/1.45
Su Kaynağı Sıcaklığı	°C/°F	38/100
Nominal Gerilim	V	220 - 240
Anma Frekansı	Hz	50/60
Güç Tüketimi	W	2,500
Akım	A	9.0
Koruma Sınıfı	Sınıf	Sınıf II
Koruma Derecesi	IP xx	IPX5
Tutma Kolu Titreşimi a <sub>hd</sub> Belirsiz K	m/s <sup>2</sup> m/s <sup>2</sup>	≤ 2.5* 0.2
Ses Basınç Seviyesi L <sub>pA</sub> Belirsiz K <sub>pA</sub>	dB(A) dB(A)	74* 2*
Ses Güç Seviyesi L <sub>WA</sub>	dB(A)	94*
Garantili Ses Gücü Düzeyi L <sub>WAd</sub>	dB(A)	96*

\* Per EN 60335-2-79: 2012.

## AT Uygunluk Beyanı

### Lavorwash spa

Via J.F.Kennedy, 12 – 46020 Pegognaga (MN) –İtalya

Bu Uygunluk Beyanı, yegâne sorumluluğu imalatçıya ait olmak üzere düzenlenmiştir. İşbu belgede liste halinde belirtilen ürünlerin Birliğin ilgili uyumlaştırma mevzuatına uygun olduğu ve ürünlere CE işareti iliştilerilebileceği tasdik olunur. Bu modeller aşağıdaki Direktiflere ve ilgili Standartlara uygundur.

**Ürün:** Yüksek Basıncılı Temizleyici

**Model – Tip:** BPW1800PX

#### AB Direktifleri

2006/42/EC (+2009/127/EC)

2006/95/EC

2004/108/EC

2000/14/EC (+2005/88/EC)

2011/65/EU (+2015/863/EU)

2014/35/EU ≥ 2016-04-20

2014/30/EU ≥ 2016-04-20

#### Standartlar

EN 60335-1:2012

EN 60335-2-79:2012

EN 62233:2008

EN 55014-1:2006+A1:2009+A2:2011

EN 55014-2:1997+A1:2001+A2:2008

EN 61000-3-2:2006+A1:2009+A2:2009

EN 61000-3-3:2013

EN 50581:2012

#### Ses Gücü Seviyesi

Ölçülen dB(A): **94**

Garanti Edilen dB(A): **96**

2000/14/EC: Cihaz Ek 1 No. 27'de tanımlanmıştır. Ek V uyarınca Uygunluk değerlendirme prosedürü.

Teknik dosya via J.F.Kennedy, 12 - 46020 Pegognaga (MN) İtalya adresinde yerleşik Lavorwash spa şirketindedir.

Lavorwash S.p.A

via J.F.Kennedy, 12

46020 Pegognaga

(MN) - İtalya Pegognaga, 15 Ekim 2015

Giancarlo Lanfredi

Genel Müdür

**SINIRLI GARANTI**

Briggs & Stratton aşağıda belirtilen garanti süresi boyunca materyal veya işçilik olarak veya her ikisi birden kusurlu olan bir parçayı ücretsiz olarak onarmayı veya değiştirmeyi garanti eder. Onarım veya değiştirme için gönderilen ürünün ulaşım masrafları satın alan tarafından karşılanmalıdır. Bu garanti aşağıda belirtilen zaman süresine ve koşullara bağlı olarak geçerlidir. Garanti hizmeti için BRIGGSandSTRATTON.COM adresindeki bayi bulma haritasını kullanarak en yakın Yetkili Servis Bayisini bulun. Satın alan Yetkili Servis ile temas kurmalı ve ürünü kontrol ve test için Yetkili Servise ulaştırmalıdır.

**Başka açık garanti yoktur. Anlaşılan garantiler belirli bir amaç için ticari elverişlilik ve uygunluk dahil aşağıdaki listede yazılı garanti süresi ile veya yasanın izin verdiği zamanla sınırlıdır. Yasanın izin verdiği istisnalar dışında önemsiz veya dolaylı hasarlara karşı sorumluluk dahil değildir.** Bazı devletler anlaşılan garantilerde garantinin süresine sınırlama getirilmesine izin vermemektedir ve bazı ülkeler önemsiz veya dolaylı hasarların hariç tutulmasına veya sınırlama getirilmesine izin vermemektedir. Bu nedenle sınırlamalar ve istisnalar sizin için geçerli olmayabilir. Bu garanti size belirli yasal haklar vermektedir ve eyaletten eyaletle ya da ülkeden ülkeye değişen başka haklarınız da olabilir.\*\*

**GARANTI SÜRESİ****Tüketici Kullanımı****Ticari Kullanım**

12 ay

Hiçbiri

\*\* Avustralya'da – Ürünlerimiz Avustralya Tüketici Yasası kapsamında hariç tutulamayan garantiler içermektedir. Önemli bir arıza için değiştirme veya para iadesine ve makul görünen kayıp veya hasar için ödemeye hak kazanıyorsunuz. Ayrıca, ürünler kabul edilebilir kalitede değilse ve hata önemli bir tutarda değilse tamir edilmesine veya değiştirilmesine de hak kazanırsınız. Garanti hizmeti için BRIGGSandSTRATTON.COM üzerindeki bayi bulma haritasında veya 1300 274 447 numaralı telefonu arayarak salesenquires@briggsandstratton.com.au adresine e-posta gönderecek ya da Briggs & Stratton Australia Pty Ltd, 1 Moorebank Avenue, NSW, Australia, 2170 adresine yazarak size en yakın Yetkili Servisi bulun.

Garanti süresi, ilk perakende veya ticari tüketici tarafından satın alındığı tarihten itibaren başlar. "Tüketici kullanımı" bireysel tüketici tarafından kişisel mülkte kullanım anlamına gelmektedir. "Ticari kullanım" ticari, gelir elde etme veya kiralama amaçlı da dâhil olmak üzere diğer tüm kullanımları kapsamaktadır. Ürün bir kez ticari amaçlı kullanılırsa, bu garantinin amaçları doğrultusunda bundan böyle ticari kullanım ürünü olarak değerlendirilecektir.

Zamanında ve tam garanti sağlamak için ürününüzü yukarıda verilen web sitesine veya www.onlineproductregistration.com adresine kayıt ettirin veya (verilmişse) doldurduğunuz kayıt kartını postalayın yahut 1-800-743-4115 (ABD'de) numarayı arayın.

Satın alma belgelerinizi saklayın. Garanti hizmetinde ürün ilk satın aldığınız tarihi ispat edemediğiniz takdirde, garanti süresinin belirlenmesinde ürünün imalat tarihi esas alınacaktır. Briggs & Stratton ürünlerinde garanti hizmeti almak için ürün kaydına gerek yoktur.

**GARANTİNİZ HAKKINDA**

Garanti hizmeti yalnız Yetkili Briggs & Stratton Servisleri aracılığıyla verilmektedir. Garanti kapsamındaki onarımlar en kısa sürede yapılmaktadır, fakat bazı garanti hizmeti talepleri uygun olmayabilir. Bu garanti sadece malzeme ve işçilikten kaynaklanan kusurları kapsamaktadır. Yanlış veya kötü kullanım, yanlış bakım ya da onarım, normal aşınma ve yıpranma veya eski ya da onaylanmayan yakıttan kaynaklanan hasarları kapsamamaktadır.

**Uygunuz ve Kötü Kullanım** - Bu ürünün düzgün, amaca uygun kullanıma şekli Operatör El Kitabında açıklanmaktadır. Bu ürünün hasar gördükten sonra Kullanma Rehberinde tanımlanmayan bir şekilde kullanılması bu garantiyi kapsamaz. Ürün üzerindeki seri numarası çıkarılmışsa veya ürün herhangi bir şekilde değişikliğe uğramışsa yahut ürünün kötü kullanıldığı darbe hasarı veya su/kimyasal korozyon gibi kötü kullanıma kanıtları ile görülüyorsa ürün garanti kapsamı dışında kalır.

**Uygun Olmayan Bakım veya Onarım** - Bu ürünün bakımı Operatör El Kitabında belirtilen prosedür ve programlara göre yapılmalı ve orijinal Briggs & Stratton yedek parçaları veya eşdeğerleri kullanılarak servise alınmalı veya onarılmalıdır. Bakım eksikliğinin veya orijinal parça kullanılmamanın neden olduğu hasar garanti kapsamında değildir.

**Normal Aşınma ve Yıpranma** - Uygun bakım yapılsa da bütün mekanik aygıtlar gibi üniteniz de aşınmaya maruz kalır. Bu garanti donanımın bir parçasının ömrünü aşan normal kullanımda ortaya çıkan onarımları kapsamaz. Filtreler, kayışlar, kesici bıçaklar ve fren balataları (motor fren balataları hariç) gibi bakım ve yıpranmaya tabi ürünler, kusurların nedeni materyal veya işçilik hatası değilse, yalnız yıpranma özellikleri nedeniyle garanti kapsamında değildir.

**Eski veya Onaylanmayan Yakıt** - Bu ürünün düzgün çalışması için Kullanım Kılavuzunda belirtilen kriterlere uygun yeni yakıt kullanmak gerekir. Bayat yakıt veya onaylanmamış yakıt (E15 veya E85 etanol karışımları gibi) kullanılmasının neden olduğu motor veya donanım hasarı garanti kapsamında değildir.

**Diğer İstisnalar** - İşbu garanti kaza, kötü kullanım, modifikasyon, değişiklikler, uygun olmayan servis, donma veya kimyasal bozulma nedeniyle oluşan hasarları kapsamaz. Ürünle birlikte orijinal ambalajda olmayan ekler veya aksesuarlar da hariçtir. Kullanım amaçlı güç yerine ana güç kaynağı veya yaşam destek uygulamalarında kullanılan donanıma uygun güç kaynağı için garanti yoktur. İşbu garanti kullanılmış, revizyondan geçirilmiş, ikinci el veya demonstrasyon amaçlı donanım veya motorlar için geçerli değildir. Bu garantiye imalatçının kontrolü dışındaki doğal afetler ve diğer mücbir sebep olayları da dahil değildir.

## Зміст

Символи безпеки та управління	4
Опис обладнання	4
Збірка	5
Опис характеристик та елементів управління	5
Експлуатація	5
Технічне обслуговування	7
Зберігання	7
Пошук та усунення несправностей	8
Технічні характеристики	8
Гарантія	9

## Символи безпеки та управління

Символи безпеки можуть застосовуватися для сповіщення про тип небезпеки. **УВАГА** вказує на небезпечну ситуацію, яка, якщо її не уникнути, може призвести до серйозної травми або смерті. **ПРИМІТКА** вказує на ситуації, не пов'язані з травмуванням людини.



Прочитайте керівництво з експлуатації



Ураження електричним струмом



Витікання рідини



Символ безпеки



Ризик падіння



Незакріплені елементи



Пожежа



Хімічний опік



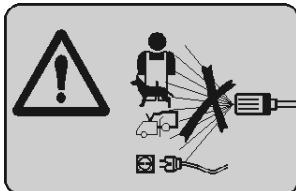
Увімкнено



Вимкнено



Технічна вода



Заборонено направляти розпилювальний пістолет на себе, інших людей або тварин. Ніколи не розпилюйте воду поблизу джерел живлення або електричних приладів.

Цей пристрій не призначений для використання особами (в тому числі, дітьми) з обмеженими фізичними, сенсорними або розумовими здібностями, недостатнім досвідом та знаннями без участі особи, обізнаної у питаннях техніки безпеки та потенційних загроз, які може спричинити неконтрольоване використання пристрою.

### ОБЕРЕЖНО

- Обладнання було розроблене для використання з миючим засобом, що постачається або рекомендується виробником. Використання інших миючих засобів або хімікатів може негативно вплинути на безпеку обладнання.
- У разі недоцільного використання струмені води під високим тиском можуть становити небезпеку. Заборонено спрямовувати струмінь на людей, електричне обладнання або, власне, саме обладнання.

- Під час використанням обладнання всі особи, що знаходяться поряд з місцем експлуатації, мають бути вдягнені в захисний одяг.
- Заборонено спрямовувати струмінь на себе чи інших людей з метою очищення одягу або взуття.
- Небезпека вибуху - заборонено розпорошувати легкозаймисті рідини.
- Мийки високого тиску не повинні використовуватися неповнолітніми особами або непідготовленим персоналом.
- Справність шлангів високого тиску, фітингів та муфт має велике значення для безпеки експлуатації обладнання. Використовуйте тільки шланги, фітинги та муфти, рекомендовані виробником.
- З метою дотримання безпеки експлуатації обладнання використовуйте тільки оригінальні запасні частини, поставлені або схвалені виробником.
- Вода, яка поступає із зворотних клапанів, вважається технічною.
- Під час очищення, технічного обслуговування та заміни деталей необхідно видалити вилку з розетки, щоб відключити живлення обладнання.
- Не використовуйте обладнання, якщо шнур або важливі компоненти обладнання пошкоджені, наприклад, запобіжні пристрої, шланги високого тиску, пістолет-розпилювач та ін.
- Не використовуйте подовжувач з електричною мийкою високого тиску.
- Завжди вимикайте головний вимикач, якщо залишаєте обладнання без нагляду.

## Опис обладнання



Уважно прочитайте це керівництво та ознайомтеся з мийкою високого тиску. Ознайомтеся з інформацією щодо її застосування, експлуатаційних обмежень та пов'язаних з ними ризиків. Зберігайте оригінальне керівництво для подальшого застосування.

Мийка високого тиску працює з макс. тиском 12,0 МПа (1 740 фунтів на кв. дюйм або 120 бар) і швидкістю потоку до 15,00 літрів (4,0 галона) на хвилину.

Нами вжито всіх необхідних заходів для забезпечення точності та актуальності інформації, що міститься у цьому керівництві. Разом з тим, ми залишаємо за собою право на внесення змін, доповнень, а також удосконалення продукту і даного документу іншим способом в будь-який час без попереднього повідомлення.

**ПРИМІТКА** У разі виникнення будь-яких питань, пов'язаних з експлуатацією, звертайтеся до дилера або в офіційний сервісний центр. **ЗАБОРОНЯЄТЬСЯ** експлуатація з пошкодженими або відсутніми деталями, а також без захисного кожуха або кришок. **УВАЖНО ПЕРЕВІРТЕ** роботу всіх пристроїв забезпечення безпеки перед початком роботи з обладнанням. Будь-яка модифікація мийки високого тиску **ЗАБОРОНЕНО**. Дане обладнання призначене для експлуатації **ВИКЛЮЧНО** з оригінальними запчастинами «Briggs & Stratton Power».

## Технологія «POWERflow+»™

Технологія «POWERflow+» від Компанії «Briggs & Stratton» – це система взаємопов'язаних компонентів для забезпечення високоефективного очищення. Технологія «POWERflow+» забезпечується шляхом використання насоса з двома режимами очищення: режимом високого тиску і режимом підвищеного тиску. Останній покращує якість очищення завдяки кращому покриттю поверхні, спінюванню і промиванням.

### Переносний пристрій захисного відключення

Мийка високого тиску обладнана переносним пристроєм захисного відключення (ППЗВ) ППЗВ забезпечує додатковий захист від ризику ураження електричним струмом. ППЗВ забезпечує захист для сили струму в 10 мА.

### Автоматичне відключення

Датчик зупиняє двигун, якщо пусковий механізм розпилювального пістолета спрацював або був замкнений. ЗАБОРОНЕНО використовувати обладнання, якщо двигун продовжує працювати, у той час як пусковий механізм розпилювального пістолета спрацював або був замкнений. У разі виникнення питань зверніться в офіційний сервісний центр Компанії «Briggs & Stratton».

**ПРИМІТКА** Якщо мийка не використовується, вимикач електроживлення має завжди перебувати в положенні OFF (0).

### Перевантаження двигуна

Пристрій захисту від перевантаження вимикає двигун, якщо він перегрівається або подає надмірно високий струм. Якщо пристрій захисту спрацював, вимкніть живлення, перемістивши головний вимикач в положення OFF (0). Дайте двигуну охолонути протягом 30 хвилин, потім перемістіть головний вимикач в положення ON (I).

### Утилізація згідно стандартів ЄС



Цей символ вказує на те, що власники акумуляторів, електричного та електронного устаткування повинні утилізувати ці пристрої окремо від невідсортованих побутових відходів.

Ці пристрої мають бути утилізовані на спеціальних об'єктах з дотриманням стандартів захисту навколишнього середовища. Для отримання додаткової інформації про процедуру утилізації, зверніться в офіс Компанії «Briggs & Stratton» або до місцевого дистриб'ютора.ар

## Збірка

### Прикріпіть опорні труби і ручку Малюнок 1 2

1. Вставте опори (1,А) в отвори. Вирівняйте положення опор і прикріпіть гвинтами (1,В). При затягуванні гвинтів контролюйте положення опор.
2. Помістіть ручку (2,А) на опорах і встановіть в отвори.
3. Вставте болти з квадратною головкою (2, В) в отвори у пристрої, прикріпіть до пластмасової голівки (2, С) і затягніть.

## Опис характеристик та елементів управління Малюнок 3

A	Розпилювальний пістолет	G	Шнур електроживлення з переносним пристроєм захисного відключення
B	Насадка 7-in1-в-1	H	Заводська табличка
C	Лоток для аксесуарів	J	Напірний патрубок подачі води
D	Резервуар для мийного засобу	K	Випускний патрубок високого тиску
E	Вимикач електроживлення	L	Розпилювальна насадка
F	Шланг високого тиску		

## Експлуатація

### Підключення шлангу та водопостачання

#### Малюнок 3 4 6

**ПРИМІТКА** Використовуйте ТІЛЬКИ холодну воду (нижче 38°C (100°F)).

1. Встановіть шланг високого тиску (3, F) в розпилювальний пістолет (3, A).
2. Вставте синій шланг високого тиску (3, F) в отвір (3, K) і затягніть.
3. Встановіть впускний водяний фільтр і чорний гумовий ущільнювач у вхідну муфту подачі води (4, A).
4. Встановіть вхідну муфту подачі води (4, B) у впускний патрубок і затягніть.

**ПРИМІТКА** Для забезпечення високої продуктивності підключайте садовий шланг мийки високого тиску ТІЛЬКИ до джерела водопостачання, здатного подавати 5 гал./хв. (18,9 л) при 25-75 фунт/кв.дюйм (1,72-5,17 бар).

5. Пустіть воду через садовий шланг, щоб очистити його від сміття.

**ПРИМІТКА** Використання зворотного клапана на впускному патрубку може призвести до пошкодження насоса. Між впускним патрубком мийки високого тиску і зворотним клапаном ПОВИННО бути не менше 3 м (10 футів) садового шлангу без різких перегинів і защемлень.



**УВАГА!** Вода, яка тече через зворотний клапан, вважається технічною.

6. Підключіть садовий шланг (4, C) (довжиною не більше 15 м (50 футів)) до впускного патрубку (4, B) і затягніть.
7. Увімкніть подачу води, натисніть червону кнопку (5, A) на пістолеті і затисніть спусковий гачок, щоб спустити повітря з системи.
8. Встановіть розширювальну насадку (3, L) на пістолет (3, A). Затягніть вручну.
9. Потягніть хомут розширювальної насадки (7, A), вставте розпилювальну насадку 7-в-1 (7, B) і відпустіть хомут. Смикніть за розпилювальну насадку, щоб переконатися в тому, що вона надійно закріплена. Див. Розпилювальна насадка 7-в-1.

### Запуск мийки високого тиску Малюнок 3 9



**УВАГА!** Вода в процесі розпилення може розбризкуватися назад або пересувати предмети, що може стати причиною серйозних травм. При експлуатації або в безпосередній близькості від даного обладнання завжди вдягайте герметичні захисні окуляри (для захисту від бризок хімічних речовин) з маркуванням відповідності стандарту ANSI Z87.1.

1. Поверніть вимикач електроживлення (3, E) в положення OFF (0).



**УВАГА!** Небезпека ураження електричним струмом.

Використання подовжувача може стати причиною ураження електричним струмом або опіку, а також призвести до серйозних травм або смертельного випадку. **ЗАБОРОНЕНО** використовувати подовжувач при роботі з електричною мийкою високого тиску. Побутовий розетковий з'єднувач або подовжувач можуть не відповідати характеристикам переносного пристрою захисного відключення.

2. Вставте шнур електроживлення (3,G) у виділений електричний ланцюг 10А та 220 - 240 В змінного струму, що відповідає до місцевими нормами і правилами. Жодні інші електричні прилади не повинні бути підключені до цього електричного ланцюга.
3. Натисніть кнопку RESET (СКИДАННЯ) (8,C). Індикатор (8,B) має бути включений.

**ПРИМІТКА** Під час експлуатації мийки високого тиску індикатор переносного пристрою захисного відключення має бути включений.



**УВАГА!** Небезпека ураження електричним струмом.

Експлуатація мийки високого тиску без переносного пристрою захисного відключення може призвести до серйозних травм або смертельного випадку. Заборонено використовувати переносний пристрій захисного відключення, якщо після тестування та перезапуску обладнання індикатор переносного портативного пристрою захисного відключення не перебуває у положенні ON.

4. Натисніть кнопку TEST (ТЕСТ) (8,A). Індикатор (8,B) має бути вимкнений.
5. Натисніть кнопку RESET (СКИДАННЯ) (8,C). Індикатор (8,B) має бути включений.
6. Перемістіть вимикач живлення в положення ON (I).
7. Спрямуйте розпилювальний пістолет в безпечному напрямку, натисніть кнопку розблокування спускового важеля і затисніть спускний важіль.

Двигун буде запускатися і зупинятися при натисканні та ослабленні спускового важеля.

## Розпилювальна насадка 7-в-1 Малюнок 12

Розпилювальна насадка 7-в-1 дозволяє перемикає сім різних режимів розпилювання. Перед зміною режимів розпилення відпустіть спускний важіль пістолета для його блокування.

1. Виберіть необхідний режим розпилення:
  - Виберіть режим «Maximum 0°» (Максимальний 0°) (A) для очищення сильно забруднених або важкодоступних поверхонь, наприклад, предмети на великій відстані, видалення фарби, масляних плям, іржі або інших стійких речовин (смола, клей, жир, віск і т.д.).
  - Виберіть режим «General 15°» (Стандартний 15°) (B) для стандартного очищення. Ідеально підходить для видалення жиру і бруду з твердих поверхонь. Також підходить для зачищення фарби при роботі під кутом 45°.
  - Виберіть режим «Gentle 40°» (Делікатний 40°) (C) для дбайливого очищення поверхонь легкових/вантажних автомобілів, катерів, автофургонів, вуличних меблів, газонокосарок і т.д.
  - Виберіть режим «Fan Spray» (Промивка та обдув) (D) для ефективного видалення легких забруднень і сміття.
  - Виберіть режим «Fan Spray with Soap» (Промивка та обдув з миючим засобом) (F) для делікатного очищення поверхонь легкових автомобілів, вантажовок, дитячого ігрового обладнання, вуличних меблів, тощо.
  - Виберіть режим «Extended Reach» (Посилене розпилення) (G) для швидкого очищення під високим напором предметів, що знаходяться на великій відстані, наприклад сайдингу або вікна другого поверху.
  - Виберіть режим «Extended Reach with Soap» (Посилене розпилення з миючим засобом) (H) для очищення миючим засобом предметів, що знаходяться на великій відстані, наприклад сайдингу або вікна другого поверху.
2. Повертайте перемикач доти, поки стрілка не вкаже на необхідний режим роботи розпилювальної насадки 7-в-1.

## Рекомендації з використання

- Для більш ефективного очищення тримайте розпилювальні насадки на відстані 20-61 см (8-24 дюйма) від поверхні, що очищується.
- При використанні розпилювальної насадки занадто близько до поверхні (особливо при використанні розпилювальної насадки високого тиску) існує ризик пошкодження поверхні, що очищується.
- ПРИ ОЧИЩЕННІ ШИН утримуйте розпилювальний пістолет НЕ МЕНШ НІЖ на 15 см (6 дюймів) від поверхні, що очищується.

## Застосування миючого засобу Малюнок 3



**УВАГА!** Хімічні речовини можуть стати причиною опіку, а також призвести до серйозних травм або смерті. НЕ використовуйте їдкі рідини при роботі з мийкою високого тиску. Використовуйте ТІЛЬКИ спеціальні безпечні миючі засоби/мило, призначені для використання з мийкою високого тиску. Дотримуйтеся інструкцій виробників.

### Процедура застосування миючого засобу:

1. Зніміть кришку з резервуара для миючого засобу (D), виконайте заливку миючого засобу. Встановіть кришку на місце.
2. Переконайтеся, що розпилювальна насадка 7-в-1 встановлена в режимі роботи з миючими засобами.

**ПРИМІТКА** Миючий засіб може застосовуватися тільки з розпилювальними насадками високого тиску (червона насадка, режими «maximum», «general», «gentle», «fan spray» або «extended reach»).

3. Довгими розмашистими рухами нанесіть миючий засіб на суху поверхню знизу вгору.
4. Перед початком миття або промивки дайте миючому засобу «ввібратися» відповідно до інструкцій виробника миючого засобу.

## Промивання мийки високого тиску

1. Виберіть червону насадку високого тиску.



**УВАГА!** Сила віддачі розпилювача може призвести до падіння і стати причиною серйозної травми або смерті. При роботі з мийкою високого тиску встановіть її на стійкій поверхні. Будьте максимально обережні під час використання мийки високого тиску на сходах, будівельних лісах або будь-якому іншому подібному місці. Щоб уникнути травм через силу віддачі розпилювального пістолета, міцно тримайте його обома руками.

2. Виконайте розпилення під високим тиском на невеликій ділянці, щоб перевірити поверхню на наявність пошкоджень після використання мийки. Якщо пошкодження не виявлені, продовжуйте промивку.
3. Почніть промивку зверху вниз, використовуючи ті ж розмашисті рухи, що й при очищенні.

## Зупинка мийки високого тиску Малюнок 3

1. Відпустіть спускний гачок пістолета.
  2. Перемістіть вимикач живлення (E) в положення OFF (0).
- ПРИМІТКА** Ослаблення спускового важеля призведе до зупинки двигуна, однак не призведе до вимикання живлення пристрою.
3. Вимкніть подачу води.
  4. ЗАВЖДИ спрямовуйте розпилювальний пістолет в безпечному напрямку, натисніть кнопку розблокування спускового важеля і затисніть спускний важіль для ослаблення тиску.



**УВАГА!** Струмінь води під високим тиском, який створює це обладнання, може спричинити порізи шкіри та підшкірної тканини, призвести до серйозних травм та можливої втрати кінцівок. Шланг високого тиску повинен залишатися підключеним до насоса і розпилювального пістолета весь час, поки система знаходиться під тиском. НЕ ДОПУСКАЙТЕ несанкціонованого використання мийки високого тиску ДІТЬМИ. ЗАВЖДИ спрямовуйте розпилювальний пістолет у безпечному напрямку. Щоразу при зупинці двигуна натискайте червону кнопку та затискайте спускний гачок розпилювального пістолета для скидання високого тиску.

5. Вимкніть вилку переносного пристрою захисного відключення (G) з розетки і оберніть шнур електроживлення навколо гака на дні лотка для аксесуарів.
6. Оберніть шланг високого тиску навколо верхнього гака лотка для аксесуарів.
7. Зберігайте червону насадку високого тиску на розпилювальній насадці. Зберігайте розпилювальний пістолет, розпилювальну насадку і насадку 7-в-1 в лотку для аксесуарів.

## Завершення процедури експлуатації

Вода не повинна залишатися в пристрої протягом тривалого часу. Відкладення або мінерали можуть осідати на деталях насоса і блокувати його роботу. Після кожного використання виконуйте наступні дії:

1. Залиште мийку високого тиску працювати з насадкою для миючих засобів до повного спустошення резервуара.
2. Додайте 0,5 літрів води в резервуар для миючого засобу і запустіть мийку з насадкою для миючих засобів. Виконайте промивку обладнання протягом двох хвилин.
3. Перемістіть вимикач живлення в положення OFF (0). Витягніть вилку шнура електроживлення з електричної розетки.
4. Вимкніть подачу води. Спрямуйте розпилювальний пістолет в безпечному напрямку, натисніть кнопку розблокування спускного важеля і затисніть спускний важіль для скидання тиску.
5. Від'єднайте садовий шланг від напірного патрубку. Від'єднайте шланг високого тиску від розпилювального пістолета і випускного патрубку високого тиску.
6. Злийте воду зі шлангу і розпилювача, протріть зовнішні поверхні обладнання.
7. Злийте воду з насоса, перевернувши пристрій на праву сторону (напірний патрубок має знаходитися внизу) і утримуйте його протягом двох хвилин. Переверніть пристрій та залиште лежати на напірному патрубку високого тиску протягом ще двох хвилин.
8. Оберніть шланг високого тиску навколо верхнього гака лотка для аксесуарів.
9. Оберніть шнур електроживлення навколо гака на дні лотка для аксесуарів. Зберігайте розпилювальний пістолет, розпилювальну насадку і насадку 7-в-1 в лотку для аксесуарів.
10. Зберігайте пристрій у чистому і сухому місці.
11. У разі зберігання обладнання протягом більш ніж 30 днів див. Розділ «Зберігання».

## Технічне обслуговування Загальні рекомендації

Планове обслуговування покращує експлуатаційні характеристики та подовжує термін служби мийки високого тиску. Для здійснення технічного обслуговування зверніться до офіційного дилера Компанії «Briggs & Stratton». НЕ ДОПУСКАЙТЕ дітей до чистки чи обслуговування пристрою без нагляду дорослих.

Гарантія виробника на мийку високого тиску не поширюється на деталі, які стали об'єктом невірної застосування або недбалості оператора. Для отримання повного покриття гарантії оператор повинен експлуатувати мийку високого тиску згідно з даним керівництвом, у тому числі дотримуючись належних умов зберігання, як описано в розділі «Зберігання».



**УВАГА!** З метою безпечної експлуатації обладнання використовуйте виключно оригінальні запасні частини або запасні частини схвалені виробником. Якщо у Вас виникли питання стосовно заміни деталей мийки високого тиску, відвідайте наш веб-сайт **BRIGGSandSTRATTON.COM**. В разі пошкодження шнура зверніться в авторизований сервісний центр Компанії «Briggs & Stratton».

## Технічне обслуговування розпилювальної насадки

Очистіть розпилювальну насадку, щоб відрегулювати надлишковий тиск насоса, викликаний блокуванням розпилювальної насадки:

1. Перемістіть вимикач живлення в положення OFF (0). Витягніть вилку шнура електроживлення з електричної розетки.
2. Зніміть насадку з 7-in-1 з розширювальної насадки.
3. Використовуйте маленьку скріпку, щоб видалити сторонні предмети, що засмічують або обмежують отвір розпилювальної насадки.
4. Встановіть розпилювальну насадку 7-в-1 в розширювальну насадку.

## Технічне обслуговування ущільнюючих кілець Малюнок 10

Використання мастила (нафтового або синтетичного) допоможе підвищити ефективність ущільнюючих кілець і забезпечити герметизацію системи. Нанесіть мастило на ущільнювальні кільця перед підключенням садового шлангу до вхідного патрубку насоса (A), шлангу високого тиску до вхідного патрубку насоса (B), розпилювального пістолета (C) до розпилювального пістолета (D). Придбати комплект для технічного обслуговування ущільнюючих кілець можна у офіційного дилера Компанії «Briggs & Stratton». ЗАБОРОНЕНО ремонтувати пошкоджені з'єднання, використовуючи герметик. Замініть пошкоджене ущільнююче кільце або сальник.

## Заміна запобіжника PRCD Малюнок 11



**ОБЕРЕЖНО!** З метою зменшення ризику виникнення пожежі, замініть виключно запобіжником BS1362 13 Ампер

Якщо пристрій обладнаний PRCD із запобіжником:

1. Знайдіть запобіжник на контактному боці штекера PRCD.
2. За допомогою плоскої викрутки виконайте заміну кришки (A) і запобіжника. Зніміть запобіжник (B) з кришки. Виконайте заміну, використовуючи запобіжник BS1362 13 Ампер.
3. Вставте кришку і запобіжник.

## Зберігання

Виконайте дії, описані в пунктах 1-10 Розділу «Завершення процедури експлуатації»

**ПРИМІТКА** Вода, залишена в насосі, може замерзнути та остаточно пошкодити насос. Пошкодження, викликані замерзанням, не покриваються гарантією.

## Захист насоса

Для захисту насоса від пошкоджень, викликаних відкладенням мінералів або замерзанням, використовуйте засіб PumpSaver, який допоможе запобігти пошкодження через замерзання. Додатково змастіть поршни і сальники.

**ПРИМІТКА** Відсутність захисту від низьких температур може призвести до пошкодження насоса і, як наслідок, його несправності. Пошкодження, викликані замерзанням, не покриваються гарантією.

## Інші рекомендації щодо зберігання

1. Оберніть шланг високого тиску навколо верхнього гака лотка для аксесуарів.
2. Оберніть шнур електроживлення навколо гака на дні лотка для аксесуарів.
3. Зберігайте розпилювальний пістолет, розпилювальну насадку і насадку 7-в-1 в лотку для аксесуарів.
4. Накрийте мийку високого тиску відповідним захисним чохлом, який не утримує вологу. Зберігайте мийку в чистому, сухому і опалювальному приміщенні.

## Пошук і усунення несправностей

Несправність	Причина	Спосіб усунення
<b>Несправність насоса: не накачується тиск, перепад тиску, деренчання, втрата тиску, малий обсяг води.</b>	<ol style="list-style-type: none"> <li>1. Впускний патрубок подачі води заблокований.</li> <li>2. Недостатня подача води.</li> <li>3. Садовий шланг зігнутий або протікає.</li> <li>4. Фільтр патрубка подачі води заблокований.</li> <li>5. Розпилювальна насада заблокована.</li> </ol>	<ol style="list-style-type: none"> <li>1. Очистіть впускний патрубок.</li> <li>2. Забезпечте відповідну подачу води.</li> <li>3. Випряміть садовий шланг або замініть у разі наявності витікання.</li> <li>4. Очистіть фільтр патрубка подачі води.</li> <li>5. Очистіть розпилювальну насадку.</li> </ol>
<b>Пристрій не запускається при натисканні спускного важеля розпилювального пістолета.</b>	<ol style="list-style-type: none"> <li>1. Відсутня подача води.</li> <li>2. Пристрій вимкнено.</li> <li>3. Довжина напірного шлангу занадто велика.</li> <li>4. Перегорів запобіжник або спрацював автоматичний вимикач.</li> </ol>	<ol style="list-style-type: none"> <li>1. Забезпечте подачу води.</li> <li>2. Перемістіть вимикач живлення в положення ON (I). Перезапустіть переносний пристрій захисного відключення.</li> <li>3. Макс. довжина садового шлангу повинна становити 15,24 м (50 футів)</li> <li>4. а.) Замініть запобіжник або перезавантажте автоматичного вимикача. б.) Вимкніть інші електроприлади і вимкніть електроживлення в ланцюзі або використовуйте виділений ланцюг. с.) Протягом 5 хвилин використовуйте з розпилювальною насадкою «турбо».</li> <li>5.</li> </ol>
<b>Миючий засіб не змішується з водою, що розпилюється.</b>	<ol style="list-style-type: none"> <li>1. Насадка високого тиску не встановлена.</li> <li>2. Надто високий тиск води, що подається</li> </ol>	<ol style="list-style-type: none"> <li>1. Встановіть розпилювальну насадку.</li> <li>2. Повільно закривайте кран подачі води до тих пір, поки миючий засіб почне змішуватися з водою.</li> </ol>
<b>Витік напірного шлангу.</b>	<ol style="list-style-type: none"> <li>1. Садовий шланг пропускає воду на з'єднанні з патрубком.</li> <li>2. Витік на з'єднанні шлангу високого тиску.</li> <li>3. Пошкодження ущільнювального кільця.</li> </ol>	<ol style="list-style-type: none"> <li>1. Затягніть садовий шланг вручну.</li> <li>2. Видаліть і повторно встановіть шланг.</li> <li>3. Замініть пошкоджене ущільнююче кільце.</li> </ol>

У всіх інших випадках звертайтеся до офіційного дилера Компанії «Briggs & Stratton».

Технічні характеристики		
Допустимий тиск	МПа / бар / фунт/кв.дюйм	16,0/160/2,320*
Максимальний напір	літрів на хвилину / галонів в хвилину	15,0/4,0*
Номінальний тиск і потік:	МПа / бар / фунт/кв. дюйм при літрах за хвилину/галонах в хвилину	12/120/1740 при 5,5 / 1,45
Температура води	°C/°F	38/100
Номінальна напруга	В	220 - 240
Номінальна частота	Гц	50/60
Споживання електроенергії	кВт	2,500
Сила току	А	9,0
Клас захисту	Клас	Клас II
Ступінь захисту	IP xx	IPX5
Вібрація рук $a_{hd}$ Похибка K	$m/s^2$ $m/s^2$	$\leq 2,5^*$ $0,2^*$
Рівень звукового тиску $L_{pA}$ Похибка $K_{pA}$	дБ(A) дБ(A)	$74^*$ $2^*$
Рівень звукової потужності $L_{WA}$	дБ(A)	$94^*$
Гарантований рівень звукової потужності $L_{WA,d}$	дБ(A)	$96^*$

\* Відповідно до EN 60335-2-79: 2012.

## Заява про відповідність стандартам і нормам ЄС

### Lavorwash spa

Via J.F.Kennedy, 12 – 46020 Pegognaga (MN) – Італія

Ця Декларація про відповідність стандартам і нормам ЄС видається під повну відповідальність виробника. Цим засвідчуємо, що перелічена в цьому документі продукція відповідає дійсному законодавству ЄС щодо гармонізації стандартів та містить маркування «CE». Вказані моделі відповідають вимогам наступних директив і відповідних стандартів.

**Продукт:** Мийка високого тиску

**Модель - Тип:** BPW1800PX

#### Директиви ЄС

2006/42/EC (+2009/127/EC)

2006/95/EC

2004/108/EC

2000/14/EC (+2005/88/EC)

2011/65/EU (+2015/863/EU)

2014/35/EU ≥ 2016-04-20

2014/30/EU ≥ 2016-04-20

#### Стандарти

EN 60335-1:2012

EN 60335-2-79:2012

EN 62233:2008

EN 55014-1:2006+A1:2009+A2:2011

EN 55014-2:1997+A1:2001+A2:2008

EN 61000-3-2:2006+A1:2009+A2:2009

EN 61000-3-3:2013

EN 50581:2012

Рівень звукової потужності

Вимірюваний дБ(A): **94**

Гарантований дБ (A): **96**

2000/14/EC: Пристрій визначено під номером №27 у Додатку I. Процедура оцінки відповідності визначена в Додатку V.

Технічна документація зберігається в Lavorwash spa, via J.F.Kennedy, 12 - 46020 Пегоньяга (Мантуя) – Італія.

Lavorwash S.p.A

via J.F.Kennedy, 12

46020 Пегоньяга

(Мантуя) - Італія Пегоньяга, 15 листопада 2015 р.



Giancarlo Lanfredi

Генеральний директор

**ОБМЕЖЕННЯ ОБСЯГУ ГАРАНТІЙНИХ ЗОБОВ'ЯЗАНЬ**

Компанія «Briggs & Stratton» протягом зазначеного нижче гарантійного терміну зобов'язується безкоштовно виконувати ремонт та заміну деталей, що мають дефект матеріалу та/або виробничий брак. Витрати на транспортування виробу, що був направлений для ремонту або заміну згідно цієї гарантії, покладаються на покупця. Гарантія діє протягом терміну та відповідно до умов, зазначених нижче. З питань гарантійного обслуговування звертайтеся до авторизованих сервісних дилерів. Адресу найближчого авторизованого сервісного дилера можна знайти з допомогою інструменту пошуку дилерів на веб-сайті BriggsandStratton.com. Покупець має звернутися до авторизованого сервісного дилера для уточнення подробиць, а потім передати вибір дилерові для перевірки й тестування.

Компанія «Briggs & Stratton» не надає інших прямих гарантій. Обов'язкові гарантії, включно з гарантіями комерційної цінності та придатності використання за призначенням, обмежуються гарантійним терміном, зазначеним нижче або гарантійним обсягом, передбаченим законодавством. Відповідальність за випадковий або непрямий збиток виключається у мірі, передбаченій законодавством. У деяких регіонах або країнах заборонено обмежувати період неявної гарантії, в той час як в інших регіонах або країнах заборонено виключати або обмежувати відповідальність за випадковий або непрямий збиток. Таким чином, наведені вище винятки та обмеження можуть не застосовуватися до конкретного покупця виробу. Ця гарантія надає покупцям певні юридичні права. Ви також можете користуватися іншими правами, в залежності від чинного законодавства Вашого регіону або країни\*\*

**ГАРАНТІЙНИЙ ПЕРІОД**

Некомерційне використання	Комерційне використання
12 місяці	Немає

\*\* Для Австралії – наша продукція супроводжується гарантіями, які не можуть бути виключені згідно закону Австралії про захист прав споживачів. Якщо Ви мешкаєте в Австралії, Ви маєте право на заміну або відшкодування у разі серйозної несправності та на компенсацію за будь-які обґрунтовано очікувані збитки або пошкодження. Ви також маєте право на безкоштовний ремонт виробу або його заміну у разі неналежної якості, коли несправність не є серйозною. З питань гарантійного обслуговування звертайтеся до авторизованих сервісних дилерів, яких можна знайти з допомогою інструменту пошуку дилерів на веб-сайті BRIGGSandSTRATTON.COM, за телефоном 1300-274-447, надіславши повідомлення на адресу електронної пошти: salesenquires@briggsandstratton.com.au, або відправивши листа за адресою: Briggs & Stratton Australia Pty Ltd, 1 Moorebank Avenue, NSW, Australia, 2170. Гарантійний термін починається з дати купівлі виробу першим роздрібним або комерційним споживачем. «Некомерційне використання» означає використання для побутових цілей роздрібним споживачем. «Комерційне використання» означає всі інші варіанти застосування, включно з тими, що пов'язані з комерційною діяльністю, отриманням прибутку або здаванням виробу в оренду. Після того як продукт знаходився в комерційному використанні, в межах цієї гарантії він відразу вважатиметься продуктом комерційного використання. Для забезпечення швидкого і повного гарантійного покриття, зареєструйте продукт на сайті, зазначеному вище, або на [www.onlineproductregistration.com](http://www.onlineproductregistration.com), або відправте поштою повну реєстраційну картку (якщо є), чи зателефонуйте 1-800-743-4115 (в США). Зберігайте товарний чек. Якщо під час звернення за гарантійним обслуговуванням Ви не зможете документально підтвердити дату покупки, гарантійний термін визначатиметься за датою виготовлення виробу. Для отримання гарантійного обслуговування обладнання «Briggs & Stratton» не потрібно проходити спеціальної реєстрації.

**ПРО ГАРАНТІЮ НА ПРИДБАНИЙ ВАМИ**

Гарантійний ремонт виконують лише авторизовані сервісні дилери Компанії «Briggs & Stratton». За більшістю звернень гарантійний ремонт виконується у звичайному порядку, проте іноді вимоги щодо гарантійного обслуговування виявляються безпідставними. Гарантія розповсюджується лише на деталі, що мають дефект матеріалу або виробничий брак. Гарантія не розповсюджується на пошкодження, що виникли внаслідок неправильної експлуатації або порушенням правил експлуатації, невідповідного технічного обслуговування чи ремонту, експлуатаційного зношення, використання простроченого пального або пального, яке не схвалене для використання з виробом.

**Неправильна експлуатація та порушення норм експлуатації** - Належне використання цього продукту за призначенням описане у Керівництві з експлуатації. Використання виробу у спосіб, який не зазначено в інструкції з експлуатації, або після його пошкодження призводить до скасування гарантії. Гарантія не розповсюджується на вироби з відсутніми серійними номерами, змінені або модифіковані у будь-який спосіб та з наявними слідами неналежного використання, наприклад пошкодження від ударів або корозії внаслідок дії води чи хімічних речовин.

**Неправильне технічне обслуговування або ремонт** - Технічне обслуговування цього обладнання має проводитися відповідно до порядку і графіку, наведених в Керівництві з експлуатації. Технічне обслуговування та ремонт мають здійснюватися виключно з використанням оригінальних деталей «Briggs & Stratton» або їх аналогів. Ця гарантія не покриває пошкодження, що виникли у результаті використання несертифікованих деталей і запчастин.

**Звичайне експлуатаційне зношення та амортизація** - Як і більшість механічних пристроїв, Ваш пристрій зношується навіть при належному технічному обслуговуванні. Гарантія не покриває ремонт у разі виходу з ладу деталей або всього обладнання внаслідок нормального зносу. Технічне обслуговування та знос деталей, таких як фільтри, ремені, ріжучі леза, гальмівні колодки (окрім гальмівних колодок двигуна), не покривається гарантією, якщо погіршення характеристик не пов'язане з дефектами матеріалів або виробництва.

**Прострочене або невідповідне паливо** - Для нормальної роботи цього обладнання потрібно використовувати свіже паливо, що відповідає вимогам, наведеним в Керівництві з експлуатації. Гарантія не розповсюджується на обладнання або двигуни, пошкоджені через використання простроченого або невідповідного палива (такого як етанолові суміші E15 або E85).

**Інші винятки** - Це гарантійне зобов'язання не поширюється на поломки, викликані аварією, неналежною експлуатацією, модифікаціями, змінами конструкції, неналежним технічним обслуговуванням, заморожуванням або впливом шкідливих хімікатів. Гарантія також не розповсюджується на додаткове обладнання або аксесуари, які не постачалися разом із виробом. Гарантією не покриває обладнання, що використовується в якості основного джерела живлення замість живлення від мережі електропостачання, а також на обладнання, що використовується в системах життєзабезпечення. Ця гарантія не розповсюджується на використане, відремонтоване, вживане або демонстраційне обладнання чи двигуни. Ця гарантія також не покриває пошкодження, які виникли через стихійні лиха або інші непередбачувані обставини, що не підлягають контролю з боку виробника.