



Quick Setup Guide

Pressure Washer

Have Questions?

Do not return to store. We can help.

Call Customer Service Toll-Free 1-800-743-4115 or visit our website, BRIGGSandSTRATTON.com

WARNING Failure to read and follow the operator's manual and all operating instructions could result in death or serious injury.

WARNING Fuel and its vapors are extremely flammable and explosive which could cause burns, fire or explosion resulting in death or serious injury. Turn pressure washer engine OFF and let it cool at least 2 minutes before removing fuel cap. Let spilled fuel evaporate before starting engine. Always allow space for fuel expansion.

WARNING Starter cord kickback (rapid retraction) will pull hand and arm toward engine faster than you can let go which could cause broken bones, fractures, bruises, or sprains resulting in serious injury. NEVER pull starter cord without first relieving spray gun pressure. Pull starter cord slowly until resistance is felt, then pull rapidly. Firmly grasp spray gun with both hands when using high pressure spray to avoid injury when spray gun kicks back.

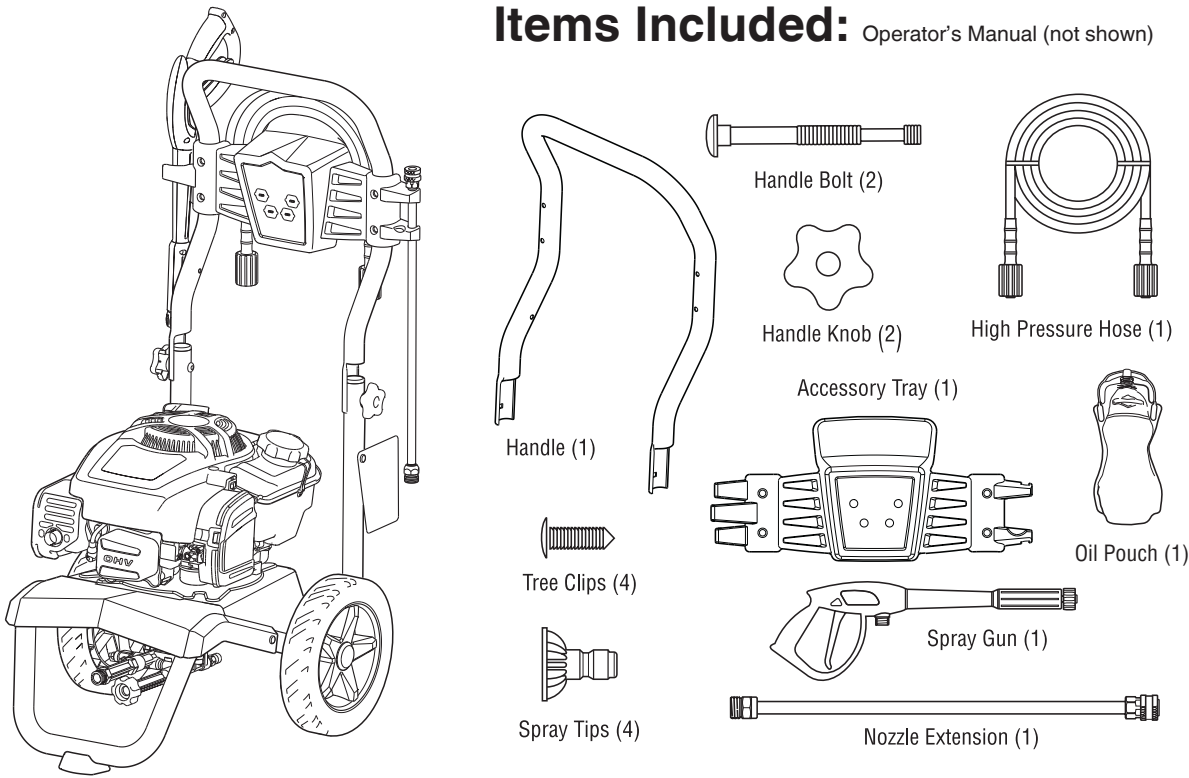
WARNING Engine exhaust contains carbon monoxide, a poisonous gas that could kill you in minutes. You CANNOT smell it, see it, or taste it. Operate ONLY outside far away from windows, doors and vents. Install carbon monoxide alarms. DO NOT run this product inside homes or garages, even if using fans or opening doors and windows.

WARNING High water pressure could cut through skin resulting in serious injury. Spray gun traps high water pressure, even when engine is stopped and water is disconnected. NEVER aim spray gun at people, animals, or plants. ALWAYS point spray gun in safe direction, press red button and squeeze spray gun trigger to release high pressure, every time you stop engine.

WARNING Risk of eye injury. Spray could splash back or propel objects resulting in serious injury. Always wear indirect vented (chemical splash) safety goggles marked to comply with ANSI Z87.1 when using or in vicinity of this equipment. NEVER substitute safety glasses or dry-condition goggles for indirect vented safety goggles.

Items Included:

Operator's Manual (not shown)



Items not included (you will need):

- Utility knife
- Unleaded fuel
- Garden hose, 50 ft. (15 m) or less
- Safety goggles (indirect vented type)
- Petroleum or synthetic grease

Unpack pressure washer

1. Remove everything from carton except pressure washer.
2. Open carton completely by cutting each corner from top to bottom.
3. Ensure you have all included items prior to assembly. If items are damaged or missing, call 1-800-743-4115.
4. Prior to assembly, lubricate the rubber o-ring seals on all connections with petroleum or synthetic grease. See Operator's Manual, *Lubricate O-Rings*. 7 8 9 11 12

Assemble pressure washer

1. Place handle (A) onto handle supports connected to main unit. Make sure holes in handle align with holes on handle supports. 1
2. Insert handle carriage bolts (B) through holes from inside of unit and attach a plastic knob (C) from outside of unit. Tighten by hand. 1

NOTICE By loosening both knobs to the unthreaded middle section of the attachment bolt, the upper handle can fold forward to store flat atop the cold engine. DO NOT fold the handle down while the engine is hot.

3. Place accessory tray (D) over holes (E) on handle (viewing from front of unit). Push the tree clips (F) into the holes until they sit flat against the accessory tray. 2

Add engine oil and fuel

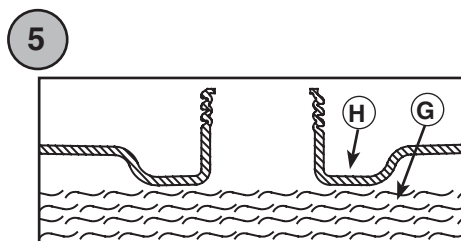
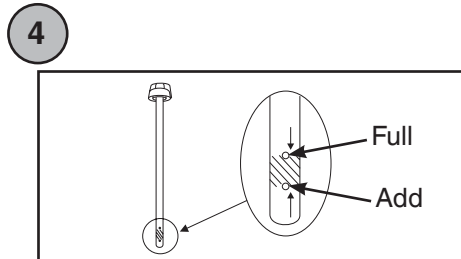
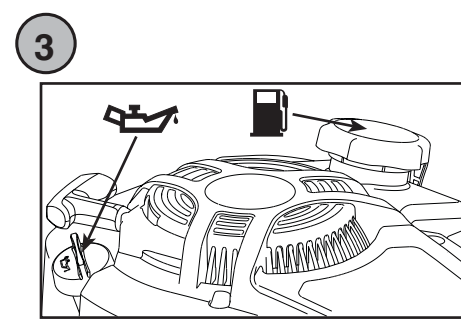
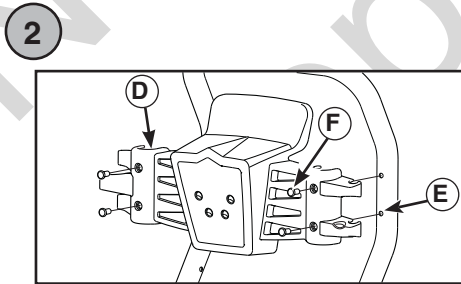
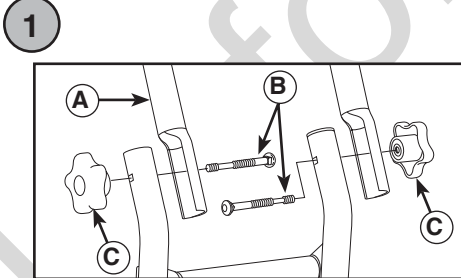
NOTICE You MUST properly fill engine with oil before attempting to start pressure washer.

NOTICE DO NOT use unapproved gasoline such as E15 and E85. DO NOT mix oil in gasoline or modify engine to run on alternate fuels.

1. Move pressure washer outdoors to a flat, level surface.
2. Clean area around oil fill and remove oil fill cap/dipstick. 3
3. Hold neck of supplied oil pouch and remove cap.
4. Slowly pour contents of oil pouch into oil fill opening. Checking oil level frequently, fill to FULL mark (top hole) on dipstick. 4

NOTICE Pause to permit oil to settle. Wipe dipstick clean each time oil level is checked. DO NOT overfill.

5. Replace and fully tighten oil fill cap/dipstick.
6. Clean area around the fuel cap (G), remove fuel cap. 3
7. Slowly add clean, fresh, UNLEADED fuel (G) to fuel tank (H). Be careful not to overfill. To allow for fuel expansion, do not fill above the bottom of the fuel tank neck. 5
8. Replace fuel cap. Let any spilled fuel evaporate before starting engine.



Move pressure washer to safe operating location

WARNING Engine exhaust contains carbon monoxide, a poisonous gas that could kill you in minutes. You CANNOT smell it, see it, or taste it. Operate ONLY outside far away from windows, doors and vents. Install carbon monoxide alarms. DO NOT run this product inside homes or garages, even if using fans or opening doors and windows.

1. Move pressure washer outdoors to a flat, level surface. 6
2. Keep at least 5 ft. (1.5 m) clearance on all sides of pressure washer including overhead to reduce the risk of exhaust heat or exhaust gases igniting nearby combustible material.

Connect spray gun

NOTICE Remove and discard the shipping caps from the pump's high pressure outlet and water inlet before attaching hoses.

1. Uncoil high pressure hose (J) and attach one end of hose to base of spray gun (K). Tighten by hand. 7
2. Attach other end of high pressure hose (J) to high pressure outlet (L) on pump. Tighten by hand. 8

Connect water supply

1. Inspect garden hose inlet screen (M) for damage. 9

NOTICE If inlet screen is damaged or missing, DO NOT use pressure washer, call 1-800-743-4115.

2. Clean screen if necessary. Refer to operator's manual for instructions.
3. Run cold water through garden hose (P) for 30 seconds to clean out any debris. Garden hose length must not exceed 50 ft. (15 m). Turn off water supply and attach garden hose to water inlet (Q). Tighten by hand. 9

Start pressure washer

NOTICE You MUST connect and turn on water supply fully before starting engine.

1. Put on safety goggles.

WARNING Risk of eye injury. Spray could splash back or propel objects resulting in serious injury. Always wear indirect vented (chemical splash) safety goggles marked to comply with ANSI Z87.1 when using or in vicinity of this equipment. NEVER substitute safety glasses or dry-condition goggles for indirect vented safety goggles.

2. Turn on water supply.
3. Point gun in a safe direction and press red safety button (R) on spray gun and pull trigger until water comes out in a steady stream. 10
4. Attach nozzle extension (S) to spray gun (K). Tighten by hand. 11
5. Choose spray tip (T) you want to use, pull back on collar of nozzle extension (S), insert spray tip and release collar. Tug on spray tip to make sure it is securely in place. 12
6. Push engine rocker switch (U) to ON (I) position. 13

NOTICE This unit is equipped with a ReadyStart® engine. A ReadyStart engine requires no priming or choking.

7. When starting engine, position yourself as shown. Grasp starter grip handle and pull slowly until you feel some resistance. Then pull rapidly to start engine. 14

WARNING Starter cord kickback (rapid retraction) will pull hand and arm toward engine faster than you can let go which could cause broken bones, fractures, bruises, or sprains resulting in serious injury. NEVER pull starter cord without first relieving spray gun pressure. Pull starter cord slowly until resistance is felt, then pull rapidly. Firmly grasp spray gun with both hands when using high pressure spray to avoid injury when spray gun kicks back.

8. After each starting attempt, where engine fails to run, always point gun in safe direction press the red safety button (R) and squeeze spray gun trigger to release high pressure. 10

9. Point gun toward surface to be cleaned. Press the red safety button (R) and pull trigger to begin spraying. 10

Stop pressure washer

1. Release spray gun trigger and let engine idle for two minutes.
2. Push engine rocker switch (U) to OFF (O) position. 13
3. Turn off water supply.
4. Point spray gun in safe direction, press red safety button, and squeeze spray gun trigger to relieve retained high water pressure. Spray gun traps high water pressure, even when engine is stopped and water is disconnected.
5. Disconnect garden hose from pump.
6. Disconnect high pressure hose from pump and gun for storage. For long term storage instructions, see operator's manual.
7. Remove safety goggles.

