

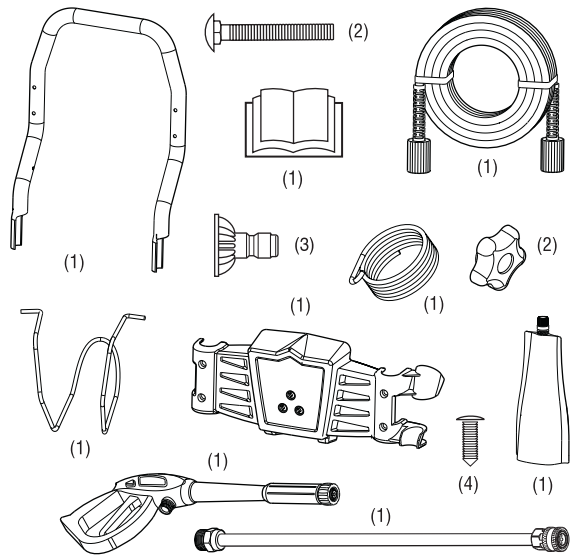


QUICK START UP / SHUTDOWN GUIDE

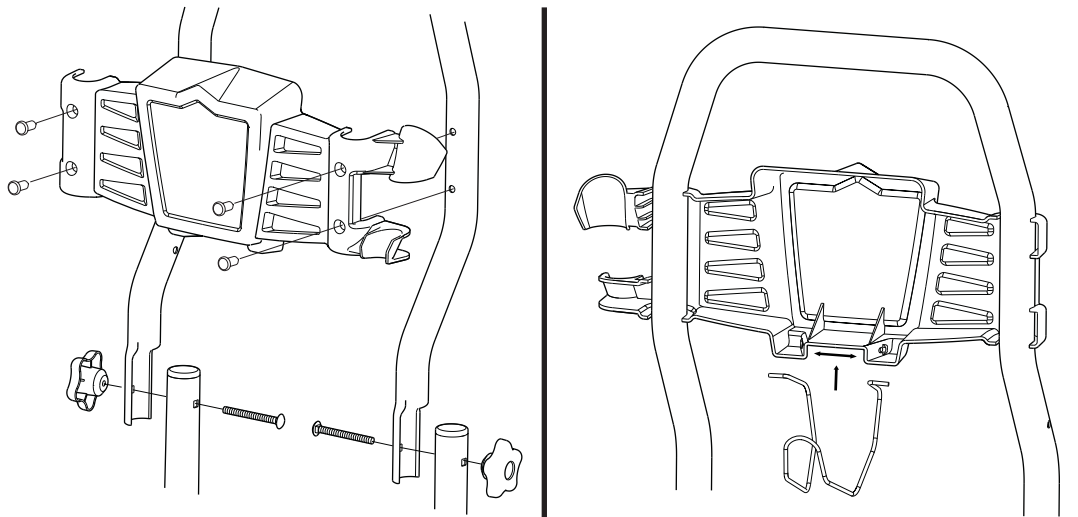


The quick start up/shutdown guide is not a substitute for reading the manual; the manual contains detailed information and instructions that you must be aware of and follow in order to maintain the equipment properly and use it safely. Remember to record the date of purchase and model number in your manual.

Items Included:



Handle and Accessory Tray Attachment



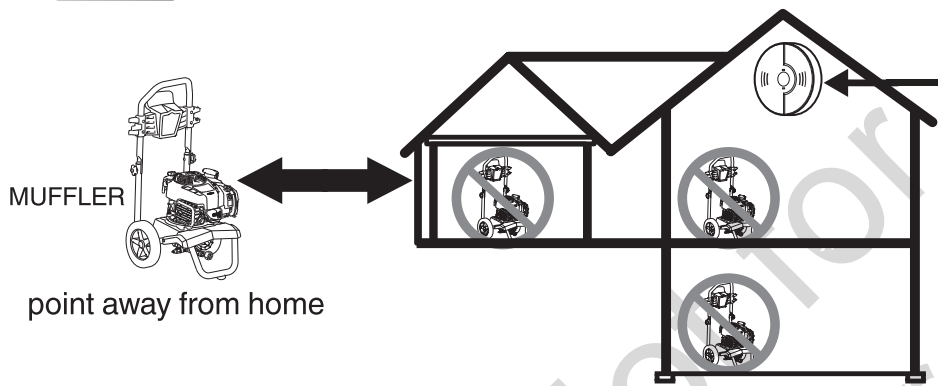
WARNING! Risk of eye injury. Spray could splash back or propel objects resulting in serious injury.

- Always wear indirect vented (chemical splash) safety goggles when using or near this product.
- Always wear protective clothing such as long-sleeved shirts, long pants and closed-toed shoes.

Items needed: (not included) • Grease • Garden hose, 50 ft. (15 m) or less • Safety goggles (indirect vented type)



USE OUTDOORS - AVOID CARBON MONOXIDE POISONING - (SEE MANUAL)



CARBON MONOXIDE ALARM(S)

Install carbon monoxide alarms inside your home. Without working carbon monoxide alarms, you may not realize you are getting sick and dying from carbon monoxide poisoning.

Start Up

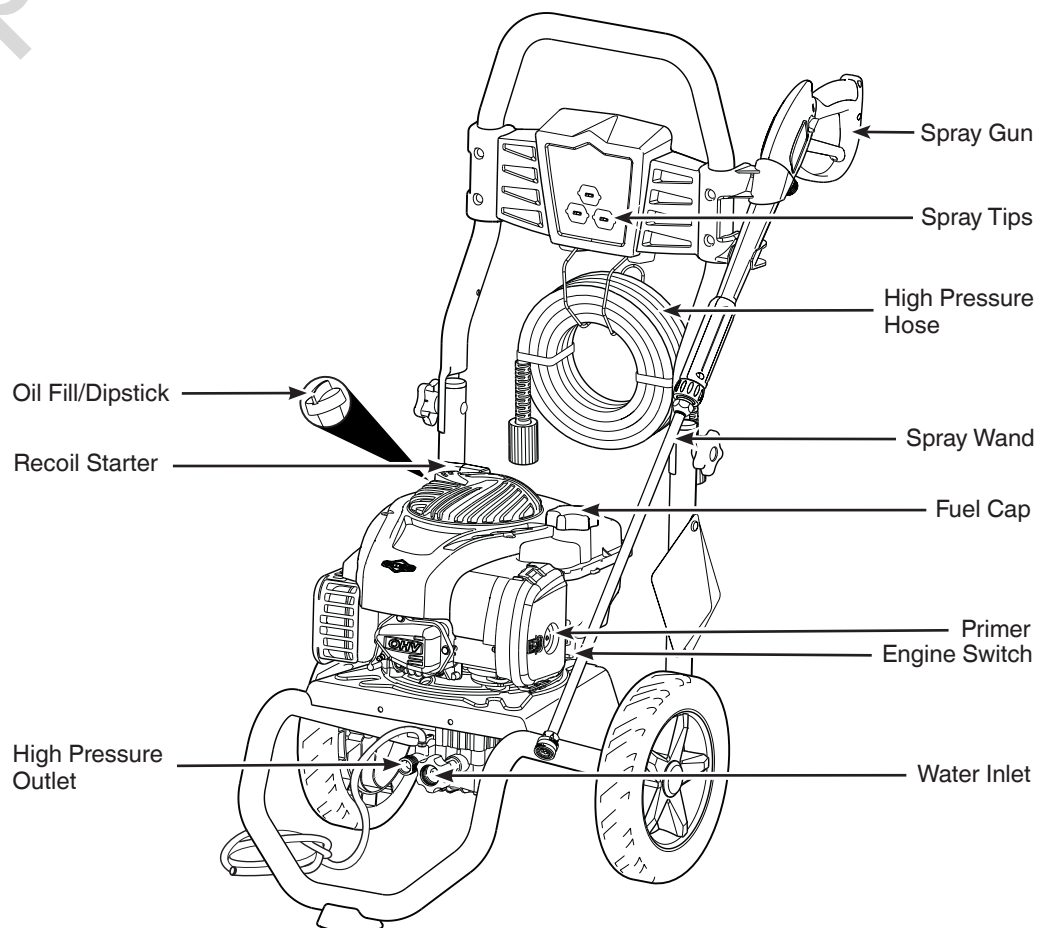
- 1 Place Outdoors
- 2 Working CO Alarms
- 3 Add Oil and Fuel
- 4 Lubricate O-Rings
- 5 Connect Hose
- 6 Connect Garden Hose
- 7 Purge System
- 8 Connect Spray Tip and Wand to Gun
- 9 Switch On (I)
- 10 Prime (3) Times

Outdoor Use Only

- 11 Pull Recoil

Shutdown

- 1 Switch Off (O)
- 2 Purge System



Copyright © 2019. All rights reserved. Briggs & Stratton Corporation. Milwaukee, WI, USA. No part of this material may be reproduced or transmitted in any form without the express written permission of Briggs & Stratton Corporation.

Every effort has been made to ensure that the information in this document is accurate and correct. However, we reserve the right to alter or otherwise improve the product and this document at any time without prior notice and without incurring obligation.

(800) 743-4115

BRIGGSandSTRATTON.COM

80088618 Rev. -

