



# BRUTE™

by



## *Illustrated Parts List*



Questions? Help is just a moment away!

Call: **Pressure Washer Helpline**

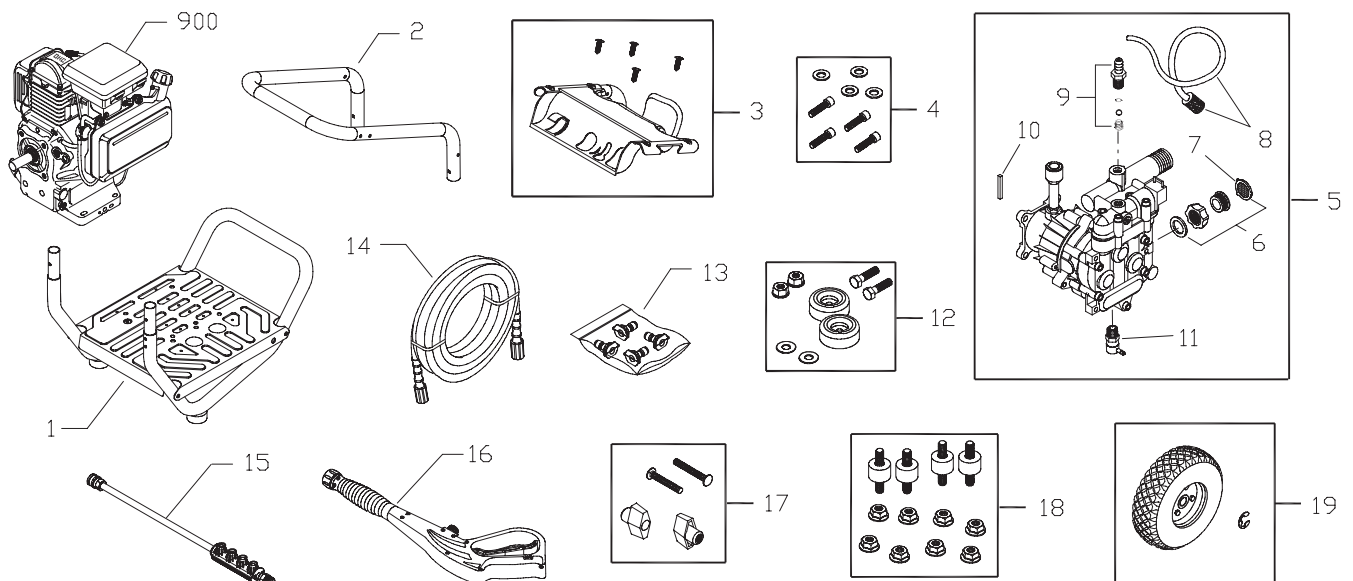
**1-800-743-4115** M-F 8-5 CT

**BRIGGS & STRATTON POWER PRODUCTS GROUP, LLC**  
**JEFFERSON, WISCONSIN, U.S.A.**

Model No. 020303-01 (3000 PSI( 206.8 BARS) Pressure Washer) Manual No. 202971A Revision B (11/29/2007)

# Exploded View and Parts List

## Exploded View — Main Unit



Copyright © 2007 Briggs & Stratton Power Products Group, LLC. All rights reserved. No part of this material may be reproduced or transmitted in any form by any means without the express written permission of Briggs & Stratton Power Products Group, LLC.

# Exploded View and Parts List

---

## Parts list — Main Unit

Item	Part #	Description
1	202670GS	BASE, w/Vib Mounts
2	B201499GS	HANDLE
3	202671GS	KIT, Billboard w/Decal & Clips
	195964GS	Clips, Tree
4	192131GS	KIT, Pump Mounting Hardware
5	198347GS	ASSY, Pump
6	190670GS	Kit, Water Inlet
7	B2384GS	Filter, Inlet
8	189971GS	Kit, Chemical Hose
9	190669GS	Kit, Breather Tube
10	23139DGS	Key
11	194298GS	Valve, Thermal Relief
12	192310GS	KIT, Vibration Mount
13	202044GS	KIT, Nozzle
	198841GS	Nozzle, Plastic, Soap
	195983NGS	Nozzle, QC, Red
	195983PGS	Nozzle, QC, Yellow
	195983RGS	Nozzle, QC, White
14	196006GS	HOSE
15	192199GS	EXTENSION, w/Nozzle Holder
16	199117GS	GUN
17	B2203GS	KIT, Handle Fastening
18	192134GS	KIT, Engine Mounting Hardware
19	194509GS	KIT, Wheel
	191265GS	E-Ring
900	§	ENGINE

### Items Not Illustrated:

202971GS	MANUAL, Operator's
87815GS	GOGGLES
BB3061BGS	OIL BOTTLE
191267SGS	AXLE
194524GS	DECAL, Honda Choke
194256GS	KIT, Tag/Warning, Service

### Optional Accessories

6048	KIT, O-Ring Maintenance
6039	PUMP SAVER

§ - Contact Engine Manufacturer