



BRUTE™

by



Illustrated Parts List

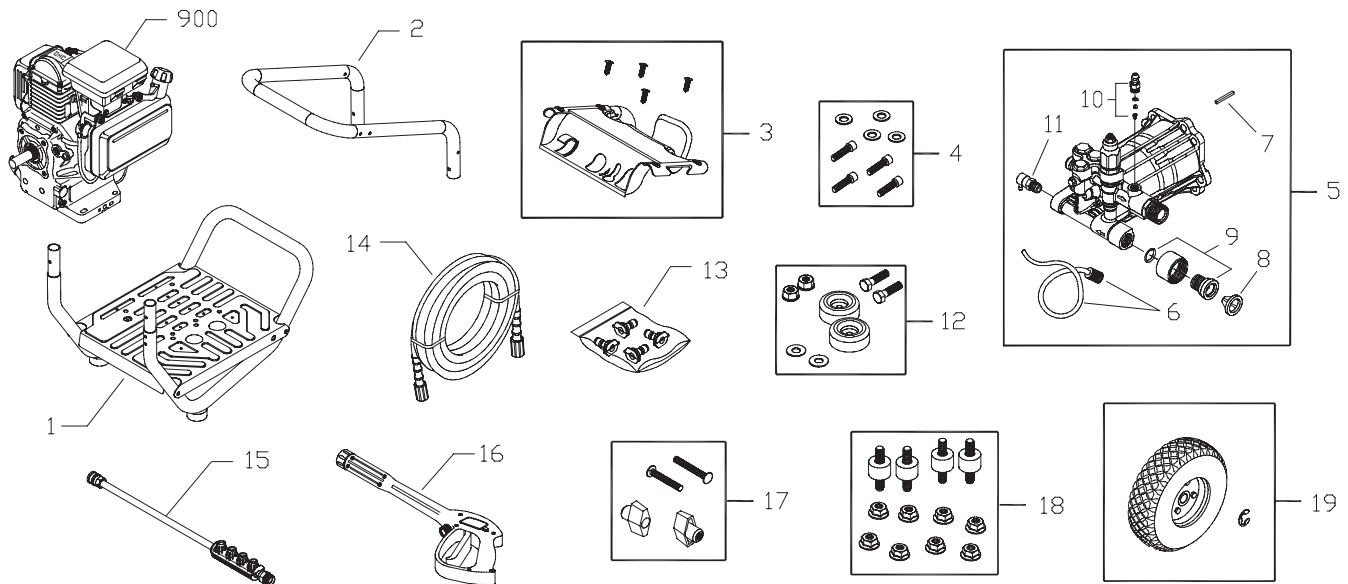


This pressure washer is rated in accordance to the Pressure Washer Manufacture Association (PWMA) standard PW101 (Testing and Rating Performance of Pressure Washers).

BRIGGS & STRATTON POWER PRODUCTS GROUP, LLC
JEFFERSON, WISCONSIN, U.S.A.

Model No. 020303-02 (3000 PSI(206.8 BARS) Pressure Washer) Manual No. 206956A Revision - (05/14/2008)

Exploded View and Parts List



Item	Part #	Description
1	202670GS	BASE, w/Vibration Mounts
2	B201499GS	HANDLE
3	202671GS	KIT, Billboard w/Decal & Clips
	195964GS	Clips, Tree
4	192131GS	KIT, Pump Mounting Hardware
5	203901GS	ASSY, Pump
6	189971GS	Kit, Chemical Hose
7	23139DGS	Key
8	B2384GS	Filter, Inlet
9	204085GS	Kit, Water Inlet
10	192914GS	Kit, Hose Tail
11	194298GS	Valve, Thermal Relief
12	192310GS	KIT, Vibration Mount
13	202044GS	KIT, Nozzle
	198841GS	Nozzle, Plastic, Soap
	195983NGS	Nozzle, QC, Red
	195983PGS	Nozzle, QC, Yellow
	195983RGS	Nozzle, QC, White
14	196006GS	HOSE
15	192199GS	EXTENSION, w/Nozzle Holder
16	204627GS	GUN

Item	Part #	Description
17	B2203GS	KIT, Handle Fastening
18	192134GS	KIT, Engine Mounting Hardware
19	194509GS	KIT, Wheel
	191265GS	E-Ring
900	§	ENGINE

Items Not Illustrated:

206956GS	MANUAL, Operator's
87815GS	GOGGLES
BB3061BGS	OIL BOTTLE
191267SGS	AXLE
194524GS	DECAL, Honda Choke
201787GS	DECAL, Shroud
201819GS	DECAL, Recoil
194256GS	KIT, Tag/Warning, Service

Optional Accessories

6048	KIT, O-Ring Maintenance
6039	PUMP SAVER

§ - Contact Engine Manufacturer

Copyright © 2008 Briggs & Stratton Power Products Group, LLC. All rights reserved. No part of this material may be reproduced or transmitted in any form by any means without the express written permission of Briggs & Stratton Power Products Group, LLC.