



# BRUTE™

by



## *Illustrated Parts List*



This pressure washer is rated in accordance to the Pressure Washer Manufacture Association (PWMA) standard PW101 (Testing and Rating Performance of Pressure Washers).

Questions? Help is just a moment away!

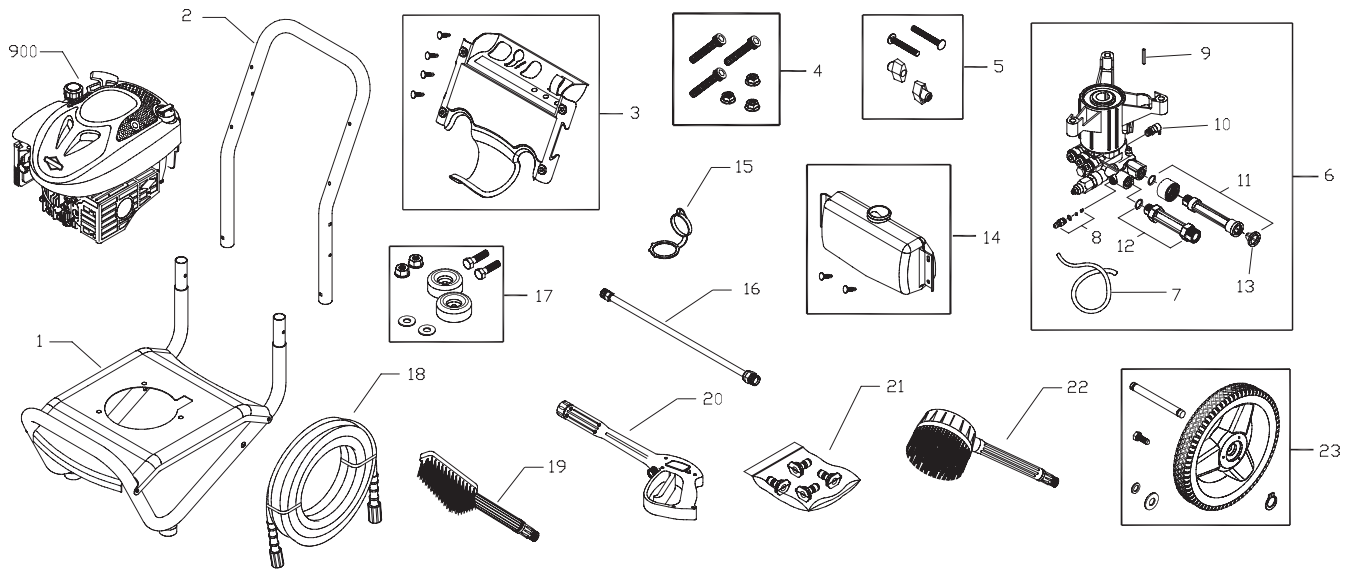
Call: **Pressure Washer Helpline**

**1-800-743-4115** M-F 8-5 CT

**BRIGGS & STRATTON POWER PRODUCTS GROUP, LLC**  
**JEFFERSON, WISCONSIN, U.S.A.**

Model No. 020375 (2500 PSI (172.4 BARS) Pressure Washer) Manual No. 207154A Revision - (10/14/2008)

# Exploded View and Parts List



| Item | Part #     | Description                  |
|------|------------|------------------------------|
| 1    | 204921GS   | BASE, w/Mounts               |
| 2    | B199110GS  | HANDLE                       |
| 3    | 204923GS   | KIT, Billboard Assy, & Clips |
|      | 195964GS   | Clip                         |
| 4    | 203526GS   | KIT, Pump Mounting Hardware  |
| 5    | B2203GS    | KIT, Handle Connector        |
| 6    | 202274GS   | ASSY, Pump                   |
| 7    | 189971GS   | Kit, Chemical Hose           |
| 8    | 192914GS   | Kit, Hose Tail               |
| 9    | 23139GS    | Key                          |
| 10   | 194298GS   | Valve, Thermal Relief        |
| 11   | 201496GS   | Kit, Water Inlet             |
| 12   | 201497GS   | Kit, Outlet                  |
| 13   | B2384GS    | Filter                       |
| 14   | 205369GS   | KIT, Chemical Tank w/Clips   |
|      | 192980GS   | Valve                        |
| 15   | B3222EGS   | CAP                          |
| 16   | 200595GS   | EXTENSION                    |
| 17   | 192310GS   | KIT, Vibration Mount         |
| 18   | 196006GS   | HOSE                         |
| 19   | 196534GS   | BRUSH, Utility               |
| 20   | 204627GS   | GUN                          |
| 21   | 207226GS   | KIT, Nozzle                  |
|      | 195983AGGS | Nozzle, QC, Green            |
|      | 195983AEGS | Nozzle, QC, Red              |
|      | 198841GS   | Nozzle, Plastic, Soap        |

| Item | Part #   | Description     |
|------|----------|-----------------|
| 22   | 196535GS | BRUSH, Rotating |
| 23   | 204922GS | KIT, Wheel      |
|      | 207908GS | Axle            |
|      | 205381GS | HHS, Trilobular |
|      | 207165GS | Snap Ring       |
| 900  | §        | ENGINE          |

### Items Not Illustrated:

|           |                           |
|-----------|---------------------------|
| 207154GS  | MANUAL, Operator's        |
| BB3061BGS | OIL BOTTLE                |
| 794693    | LABEL, Warning            |
| A1040NGS  | HOSE, Chemical            |
| 790295    | LABEL, Choke Control      |
| 791026    | COVER, Static/Label Assy  |
| 194256GS  | KIT, Tag Warning, Service |

### Optional Accessories

|      |                         |
|------|-------------------------|
| 6039 | PUMP SAVER              |
| 6048 | KIT, O-Ring Maintenance |

§ - Contact Engine Manufacturer

Copyright © 2008 Briggs & Stratton Power Products Group, LLC. All rights reserved. No part of this material may be reproduced or transmitted in any form by any means without the express written permission of Briggs & Stratton Power Products Group, LLC.