

**CAT**  
**Gasoline Pressure Washer**  
**Model Nos. CT80806 Series**  
**Replacement Parts List**

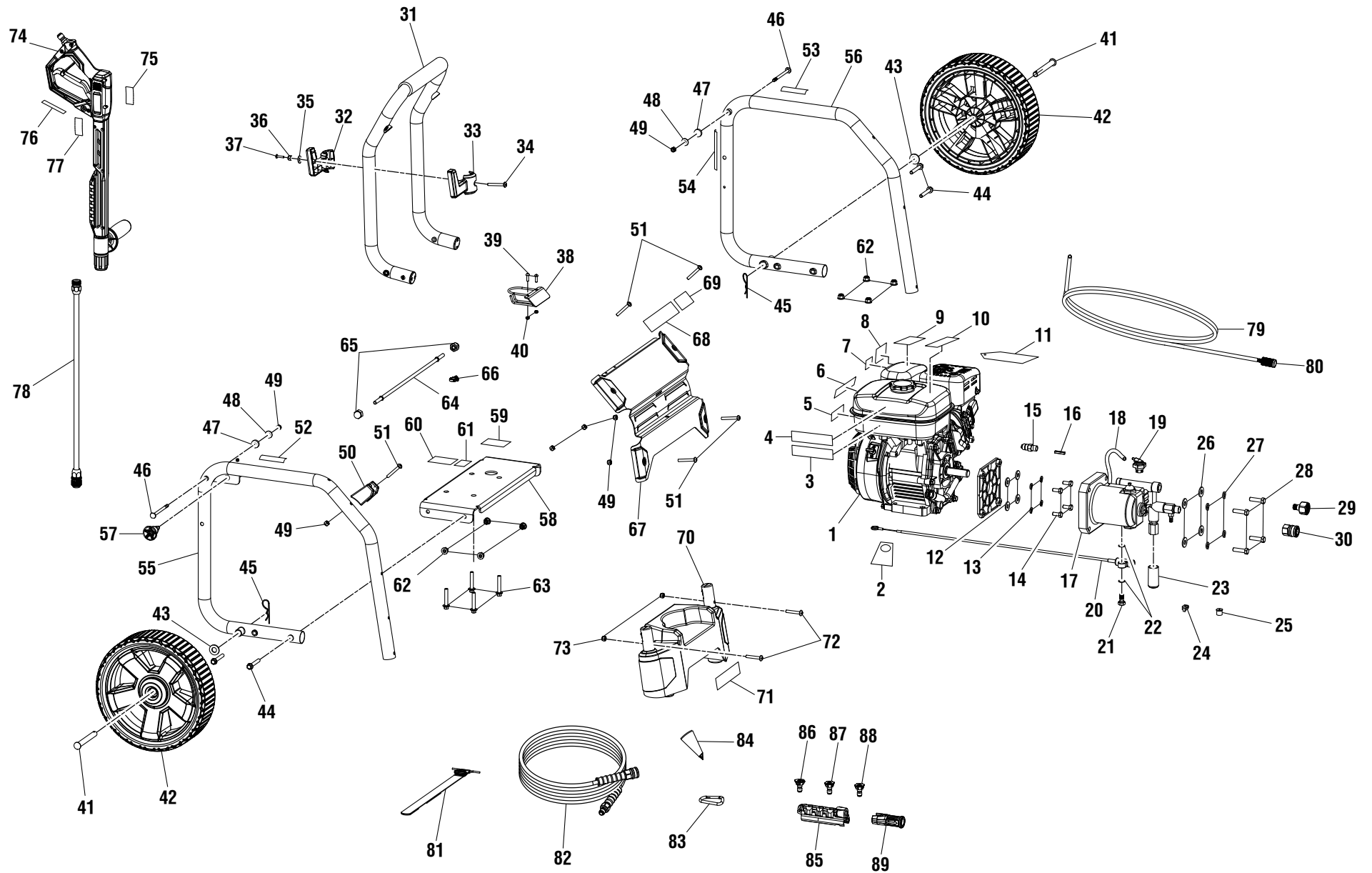
**CAT**  
**Nettoyeur Haute Pression à Essence**  
**Nos. de modèle Série CT80806**  
**Liste des pièces de rechange**

**CAT**  
**Lavadora de Presión de Gasolina**  
**Modelo Núms. Serie CT80806**  
**Lista de piezas de repuesto**



CT80806

FIGURE A  
(FIGURE A, FIGURA A)





# CT80806 Gasoline Pressure Washer

| KEY | P/N       | DESCRIPTION                                     | QTY | KEY | P/N       | DESCRIPTION                                      | QTY | KEY               | P/N       | DESCRIPTION                       | QTY |
|-----|-----------|---|-----|-----|-----------|--|-----|-------------------|-----------|-----------------------------------|-----|
| 1   | **        | Engine (Subaru, SP 170, Hori, EPA)...           | 1   | 33  | 518929001 | Front Hook .....                                 | 1   | 64                | 678617007 | Bar.....                          | 1   |
| 2   | 940889005 | Oil Dipstick Label .....                        | 1   | 34  | 660592004 | Screw (1/4-20 x .75 in.).....                    | 1   | 65                | 678681001 | Acorn Nut.....                    | 2   |
| 3   | 940708007 | Lubricant Label .....                           | 1   | 35  | 638128004 | Washer (1/4 in.) .....                           | 1   | 66                | 518650002 | Cable Clamp (Frame) .....         | 1   |
| 4   | 940947003 | UL Fire Warning Label<br>(Spark Arrestor) ..... | 1   | 36  | 678016006 | Lock Nut (1/4-20).....                           | 1   | 67                | 638671007 | Face Plate .....                  | 1   |
| 5   | 941742001 | License Label .....                             | 1   | 37  | 660752001 | Screw (8-10 x 3/4 in., Truss Hd.).....           | 1   | 68                | 940779087 | Performance Label.....            | 1   |
| 6   | 940654053 | Warning Label .....                             | 1   | 38  | 308316006 | Wand Storage (Front).....                        | 1   | 69                | 940743001 | Idle Control Label.....           | 1   |
| 7   | 941613004 | Pressure Release Label .....                    | 1   | 39  | 660976002 | Bolt (M5 x 16 mm, Pan Hd.).....                  | 2   | 70                | 308909014 | Foot.....                         | 1   |
| 8   | 940899003 | Do Not Mix Label .....                          | 1   | 40  | 678390001 | Hex Nut (M5).....                                | 2   | 71                | 941741002 | Logo Label .....                  | 2   |
| 9   | 940778005 | Hot Muffler Label .....                         | 1   | 41  | 620598002 | Axle .....                                       | 2   | 72                | 660592005 | Screw (1/2-20 x 1.75 in.).....    | 2   |
| 10  | 940872003 | E85 Label .....                                 | 1   | 42  | 308451040 | Wheel .....                                      | 2   | 73                | 678016006 | Lock Nut (1/4-20).....            | 2   |
| 11  | 940971011 | Warning Hangtag .....                           | 1   | 43  | 638275002 | Washer (1/4 in.) .....                           | 2   | 74                | 308760031 | Trigger Handle Assembly .....     | 1   |
| 12  | 638675002 | Washer (5/16 in.) .....                         | 4   | 44  | 660962001 | Bolt w/Washer<br>(M8 x 55 mm, Hex Hd.) .....     | 4   | 75                | 940654061 | Warning Label .....               | 1   |
| 13  | 638678001 | Lock Washer (5/16 in.) .....                    | 4   | 45  | 678899001 | Cotter Pin.....                                  | 2   | 76                | 941749001 | Trigger Guard Warning Label ..... | 1   |
| 14  | 661557001 | Bolt (5/16-24 x 3/4 in., Hex Hd.) .....         | 4   | 46  | 678406004 | Connector Pin (1/4 in.) .....                    | 2   | 77                | 940654058 | Max Rating Label .....            | 1   |
| 15  | 678169004 | Thermal Release Valve.....                      | 1   | 47  | 518724002 | Washer (OD20 x ID8 x 4.5t).....                  | 2   | 78                | 308494004 | Wand.....                         | 1   |
| 16  | 678041008 | Output Shaft Key (27 mm) .....                  | 1   | 48  | 638128004 | Washer (1/4 in.) .....                           | 2   | 79                | 561399003 | Chemical Siphon Tube.....         | 1   |
| 17  | 308694021 | Pump Assembly (3GXT27).....                     | 1   | 49  | 678016006 | Lock Nut (1/4-20).....                           | 7   | 80                | 308103015 | Chemical Siphon Filter.....       | 1   |
| 18  | 570358044 | Vent Tube (11 in.).....                         | 1   | 50  | 518931003 | Lower Wand Holder .....                          | 1   | 81                | 308350001 | Velcro Strap.....                 | 1   |
| 19  | 310438001 | Vent Cap .....                                  | 1   | 51  | 661501001 | Screw<br>(1/4-20 x 1.85 in., T30 Torx Hd.) ..... | 5   | 82                | 308835037 | Hose Assembly (30 ft.).....       | 1   |
| 20  | 310437002 | Idle Down Assembly .....                        | 1   | 52  | 940693003 | Release Pin Label .....                          | 1   | 83                | 638637002 | Carabineer .....                  | 1   |
| 21  | 660971005 | Bolt (M10 x 1.5 in., Special) .....             | 1   | 53  | 940778004 | Hot Surface Label .....                          | 1   | 84                | 519314001 | Funnel .....                      | 1   |
| 22  | 310928001 | Compression Seal.....                           | 2   | 54  | 940996011 | Quick Start Label (Engine) .....                 | 1   | 85                | 570727004 | Nozzle Holder.....                | 1   |
| 23  | 570410002 | Unloader Cap.....                               | 1   | 55  | 310704014 | Frame Assembly (Right) .....                     | 1   | 86                | 308700012 | 40° Nozzle.....                   | 1   |
| 24  | 524014001 | Cable Clamp (Engine) .....                      | 1   | 56  | 310703013 | Frame Assembly (Left) .....                      | 1   | 87                | 308699012 | 25° Nozzle.....                   | 1   |
| 25  | 524013002 | Swivel Bushing.....                             | 1   | 57  | 308910005 | Handle Lock Assembly .....                       | 1   | 88                | 308697012 | 0° Nozzle.....                    | 1   |
| 26  | 638386002 | Washer (3/8 in.) .....                          | 4   | 58  | 638662005 | Engine Plate .....                               | 1   | 89                | 310660007 | Soap Nozzle.....                  | 1   |
| 27  | 638679001 | Lock Washer (3/8 in.) .....                     | 4   | 59  | 941531027 | Data Label.....                                  | 1   | <b>Not Shown:</b> |           |                                   |     |
| 28  | 661558001 | Bolt (3/8-16 x 1-3/8 in., Hex Hd.).....         | 4   | 60  | 940617111 | Quick Start Label (Pump).....                    | 1   | *                 |           | Oil (SAE 30 or SAE 10W30).....    | 1   |
| 29  | 308692003 | Garden Hose Coupler w/Filter .....              | 1   | 61  | 940871002 | Add Oil Label .....                              | 1   | 987009002         |           | Wand Holder Accessory Bag.....    | 1   |
| 30  | 308661004 | 3/8 in. Quick Connect (NPT) .....               | 1   | 62  | 678774002 | Flange Lock Nut (M8).....                        | 8   | 987009001         |           | Accessory Bag .....               | 1   |
| 31  | 308940004 | Handle Assembly .....                           | 1   | 63  | 661505004 | Bolt (M8 x 45 mm, Flange Hd.) .....              | 4   | 988000979         |           | Operator's Manual .....           | 1   |
| 32  | 518930001 | Rear Hook.....                                  | 1   |     |           |  |     | 988000981         |           | Assembly Guide.....               | 1   |

\* Standard Hardware Item – May Be Purchased Locally  
 \*\* Parts available at your local Subaru Robin dealer



# CT80806 Nettoyer Haute Pression à Essence

| PIÈCE RÉF. | DESCRIPTION  | QTÉ | PIÈCE RÉF. | DESCRIPTION   | QTÉ | PIÈCE RÉF.            | DESCRIPTION   | QTÉ |
|------------|--|-----|------------|---|-----|-----------------------|---|-----|
| 1          | ** Moteur (Subaru, SP170, hori, EPA)....1                                    |     | 33         | 518929001 Crochet avant.....1                                 |     | 63                    | 661505004 Boulon (M8 x 45 mm, tête hex. à épaulement) .....4          |     |
| 2          | 940889005 Étiquette de jauge d'huile .....1                                  |     | 34         | 660592004 Vis (1/4-20 x .75 po).....1                         |     | 64                    | 678617007 Barre .....1  |     |
| 3          | 940708007 Étiquette de lubrifiant.....1                                      |     | 35         | 638128004 Rondelle (1/4 po).....1                             |     | 65                    | 678681001 Écrou borgne.....2  |     |
| 4          | 940947003 Étiquette d'avertissement d'incendie (UL) [pare-étincelles] .....1 |     | 36         | 678016006 Écrou de blocage (1/4-20) .....1                    |     | 66                    | 518650002 Serre-câble (cadre).....1                                   |     |
| 5          | 941742001 Étiquette de licence .....1  |     | 37         | 660752001 Vis (8-10 x 3/4 po, tête bombée) .....1             |     | 67                    | 638671007 Plaque avant .....1   |     |
| 6          | 940654053 Étiquette d'avertissement .....1                                   |     | 38         | 308316006 Entreposage de lance (avant) .....1                 |     | 68                    | 940779087 Étiquette de performance .....1                             |     |
| 7          | 941613004 Étiquette de libérer la pression d'eau .....1                      |     | 39         | 660976002 Boulon (M5 x 16 mm, tête bombée.) .2                |     | 69                    | 940743001 Étiquette de dispositif de fonctionnement au ralenti .....1 |     |
| 8          | 940899003 Étiquette de ne pas mélanger .....1                                |     | 40         | 678390001 Écrou hexagonal (M5) .....2                         |     | 70                    | 308909014 Pied .....1   |     |
| 9          | 940778005 Étiquette d'avertissement .....1                                   |     | 41         | 620598002 Essieu.....2  |     | 71                    | 941741002 Étiquette de logo.....2                                     |     |
| 10         | 940872003 Étiquette de E85 .....1  |     | 42         | 308451040 Roue.....2  |     | 72                    | 660592005 Vis (1/2-20 x 1.75 po).....2                                |     |
| 11         | 940971011 Étiquette d'avertissement .....1                                   |     | 43         | 638275002 Rondelle (1/4 po).....2                             |     | 73                    | 678016006 Écrou de blocage (1/4-20) .....2                            |     |
| 12         | 638675002 Rondelle (5/16 po).....4   |     | 44         | 660962001 Boulon avec rondelle (M8 x 55 mm, tête hex.) .....4 |     | 74                    | 308760031 Ensemble poignée à gâchette .....1                          |     |
| 13         | 638678001 Rondelle frein (5/16 po).....4                                     |     | 45         | 678899001 Goupilles en épingle à cheveux .....2               |     | 75                    | 940654061 Étiquette d'avertissement .....1                            |     |
| 14         | 661557001 Boulon (5/16-24 x 3/4 po, tête hex.) .4                            |     | 46         | 678406004 Broche de connecteur (1/4 po) .....2                |     | 76                    | 941749001 Étiquette d'avertissement de la poignée à gâchette .....1   |     |
| 15         | 678169004 Soupape thermique .....1   |     | 47         | 518724002 Rondelle (OD20 x ID8 x 4.5t).....2                  |     | 77                    | 940654058 Étiquette de puissance maximale .....1                      |     |
| 16         | 678041008 Clavette d'arbre de sortie (27 mm) ....1                           |     | 48         | 638128004 Rondelle (1/4 po).....2                             |     | 78                    | 308494004 Lance .....1  |     |
| 17         | 308694021 Ensemble de pompe (3GXT27).....1                                   |     | 49         | 678016006 Écrou de blocage (1/4-20) .....7                    |     | 79                    | 561399003 Tube-siphon à produits chimiques.....1                      |     |
| 18         | 570358044 Tube de conduit évac (11 po).....1                                 |     | 50         | 518931003 Porte-lance inférieur.....1                         |     | 80                    | 308103015 Filtre-siphon à produits chimiques ....1                    |     |
| 19         | 310438001 Capuchon de conduit évac.....1                                     |     | 51         | 661501001 Vis (1/4-20 x 1.85 po, tête T30 Torx).....5         |     | 81                    | 308350001 Sangle velcro .....1  |     |
| 20         | 310437002 Dispositif de fonctionnement au ralenti .....1                     |     | 52         | 940693003 Étiquette de goupille de déverrouillage.....1       |     | 82                    | 308835037 Ensemble de tuyau (9,14 m [30 pi])....1                     |     |
| 21         | 660971005 Boulon (M10 x 1.5 po, spécial) .....1                              |     | 53         | 940778004 Étiquette de surface brûlante.....1                 |     | 83                    | 638637002 Mousqueton.....1  |     |
| 22         | 310928001 Joint de compression .....2  |     | 54         | 940996011 Étiquette de démarrage rapide (moteur).....1        |     | 84                    | 519314001 Entonnoir.....1   |     |
| 23         | 570410002 Capuchon de déchargeur .....1                                      |     | 55         | 310704014 Ensemble de tube de support (droite).....1          |     | 85                    | 570727004 Porte-buse .....1   |     |
| 24         | 524014001 Serre-câble (moteur) .....1  |     | 56         | 310703013 Ensemble de tube de support (gauche).....1          |     | 86                    | 308700012 Buse (40°).....1  |     |
| 25         | 524013002 Douille pivotant .....1  |     | 57         | 308910005 Ensemble de verrou de la poignée ....1              |     | 87                    | 308699012 Buse (25°).....1  |     |
| 26         | 638386002 Rondelle (3/8 po).....4  |     | 58         | 638662005 Plaque du moteur .....1                             |     | 88                    | 308697012 Buse (0°).....1   |     |
| 27         | 638679001 Rondelle frein (3/8 po).....4                                      |     | 59         | 941531027 Étiquette d'information .....1                      |     | 89                    | 310660007 Buse à savon .....1   |     |
| 28         | 661558001 Boulon (3/8-16 x 1-3/8 po, tête hex.) .....4                       |     | 60         | 940617111 Étiquette de démarrage rapide (pompe).....1         |     | <b>Pas illustré :</b> |   |     |
| 29         | 308692003 Connecteur de tuyau d'arrosage avec filtre.....1                   |     | 61         | 940871002 Étiquette de ajouter de l'huile .....1              |     | *                     | Huile (SAE 30 ou SAE 10W30).....1                                     |     |
| 30         | 308661004 Connexion rapide (NPT, 3/8 po).....1                               |     | 62         | 678774002 Écrou de blocage à embase (M8) .....8               |     | 987009002             | Rangement porte-lance .....1  |     |
| 31         | 308940004 Ensemble de poignée .....1   |     |            |   |     | 987009001             | Sac d'accessoires.....1   |     |
| 32         | 518930001 Crochet arrière .....1   |     |            |   |     | 988000979             | Manuel d'utilisation .....1   |     |
|            |  |     |            |   |     | 988000981             | Guide de assemblage .....1  |     |

\* Article de boulonnerie standard – En vente dans les magasins locaux  
 \*\* Pièces en vente chez les concessionnaires Subaru Robin



# CT80806 Lavadora de Presión de Gasolina

| REF. | N/P       | DESCRIPCIÓN  | CANT. | REF. | N/P       | DESCRIPCIÓN  | CANT. | REF.                  | N/P       | DESCRIPCIÓN  | CANT. |
|------|-----------|--|-------|------|-----------|--|-------|-----------------------|-----------|--|-------|
| 1    | **        | Motor (Subaru, SP170, hori, EPA).....1                     |       | 32   | 518930001 | Gancho trasero .....1                              |       | 64                    | 678617007 | Barra .....1                                       |       |
| 2    | 940889005 | Etiqueta de varilla de nivel de aceite .1                  |       | 33   | 518929001 | Gancho delantero .....1                            |       | 65                    | 678681001 | Tuerca ciega.....2                                 |       |
| 3    | 940708007 | Etiqueta de lubricante .....1                              |       | 34   | 660592004 | Tornillo (1/4-20 x .75 pulg.) .....1               |       | 66                    | 518650002 | Grampa del cable (armazón).....1                   |       |
| 4    | 940947003 | Etiqueta de advertencia de fuego (UL) [parachispas] .....1 |       | 35   | 638128004 | Arandela (1/4 pulg.).....1                         |       | 67                    | 638671007 | Placa de encare .....1                             |       |
| 5    | 941742001 | Etiqueta de licencia.....1                                 |       | 36   | 678016006 | Tuerca de seguridad (1/4-20).....1                 |       | 68                    | 940779087 | Etiqueta de rendimiento.....1                      |       |
| 6    | 940654053 | Etiqueta de advertencia .....1                             |       | 37   | 660752001 | Tornillo (8-10 x 3/4 pulg., cab. trunc.).....1     |       | 69                    | 940743001 | Etiqueta de funcionamiento en ralentí .....1       |       |
| 7    | 941613004 | Etiqueta de liberar la presión del agua .....1             |       | 38   | 308316006 | Almacenamiento de rociador (delantero) .....1      |       | 70                    | 308909014 | Pie .....1   |       |
| 8    | 940899003 | Etiqueta de no le mezcla.....1                             |       | 39   | 660976002 | Perno (M5 x 16 mm, cab. trunc.) .....2             |       | 71                    | 941741002 | Etiqueta del logotipo.....2                        |       |
| 9    | 940778005 | Etiqueta del silenciador caliente .....1                   |       | 40   | 678390001 | Tuerca hexagonal (M5).....2                        |       | 72                    | 660592005 | Tornillo (1/2-20 x 1.75 pulg.) .....2              |       |
| 10   | 940872003 | Etiqueta del E85.....1                                     |       | 41   | 620598002 | Eje .....2   |       | 73                    | 678016006 | Tuerca de seguridad (1/4-20).....2                 |       |
| 11   | 940971011 | Etiqueta colgante de advertencia .....1                    |       | 42   | 308451040 | Rueda.....2  |       | 74                    | 308760031 | Conjunto de mango del gatillo.....1                |       |
| 12   | 638675002 | Arandela (5/16 pulg.).....4                                |       | 43   | 638275002 | Arandela (1/4 pulg.).....2                         |       | 75                    | 940654061 | Etiqueta de advertencia .....1                     |       |
| 13   | 638678001 | Arandela de seguridad (5/16 pulg.)...4                     |       | 44   | 660962001 | Perno con arandela (M8 x 55 mm, cab. hex.) .....4  |       | 76                    | 941749001 | Etiqueta de advertencia de mango de gatillo .....1 |       |
| 14   | 661557001 | Perno (5/16-24 x 3/4 pulg., cab. hex.).....4               |       | 45   | 678899001 | Pasador de chaveta .....2                          |       | 77                    | 940654058 | Etiqueta de calificación máxima .....1             |       |
| 15   | 678169004 | Válvula de liberación térmica .....1                       |       | 46   | 678406004 | Pasador de conector (1/4 pulg.) .....2             |       | 78                    | 308494004 | Rociador.....1                                     |       |
| 16   | 678041008 | Llave del eje propulsor (27 mm).....1                      |       | 47   | 518724002 | Arandela (OD20 x ID8 x 4.5t) .....2                |       | 79                    | 561399003 | Tubo de sifón químico.....1                        |       |
| 17   | 308694021 | Conjunto de la bomba (3GXT27) .....1                       |       | 48   | 638128004 | Arandela (1/4 pulg.).....2                         |       | 80                    | 308103015 | Filtro de sifón químico.....1                      |       |
| 18   | 570358044 | Tubo de orificio de ventilación (11 pulg.) .....1          |       | 49   | 678016006 | Tuerca de seguridad (1/4-20).....7                 |       | 81                    | 308350001 | Correa de velcro.....1                             |       |
| 19   | 310438001 | Tapa del orificio de ventilación.....1                     |       | 50   | 518931003 | Soporte del mango inferior .....1                  |       | 82                    | 308835037 | Conjunto de la manguera (9,14 m [30 pies]).....1   |       |
| 20   | 310437002 | Conjunto de funcionamiento en ralentí .....1               |       | 51   | 661501001 | Tornillo (1/4-20 x 1.85 pulg., cab. T30 Torx) ...5 |       | 83                    | 638637002 | Carabinero .....1                                  |       |
| 21   | 660971005 | Perno (M10 x 1.5 pulg., especial) .....1                   |       | 52   | 940693003 | Etiqueta de pasador de afloje.....1                |       | 84                    | 519314001 | Embudo.....1                                       |       |
| 22   | 310928001 | Sello de compresión .....2                                 |       | 53   | 940778004 | Etiqueta superficial caliente .....1               |       | 85                    | 570727004 | Sujetador de boquillas .....1                      |       |
| 23   | 570410002 | Tapa del descargador .....1                                |       | 54   | 940996011 | Etiqueta de arranque rapido (motor)..1             |       | 86                    | 308700012 | Boquilla (40°).....1                               |       |
| 24   | 524014001 | Grampa del cable (motor) .....1                            |       | 55   | 310704014 | Conjunto de la armazón (derecho)....1              |       | 87                    | 308699012 | Boquilla (25°).....1                               |       |
| 25   | 524013002 | Buje giratorio.....1                                       |       | 56   | 310703013 | Conjunto de la armazón (izquierdo) ...1            |       | 88                    | 308697012 | Boquilla (0°).....1                                |       |
| 26   | 638386002 | Arandela (3/8 pulg.).....4                                 |       | 57   | 308910005 | Conjunto de seguro del mango .....1                |       | 89                    | 310660007 | Boquilla para jabón .....1                         |       |
| 27   | 638679001 | Arandela de seguridad (3/8 pulg.).....4                    |       | 58   | 638662005 | Placa del motor .....1                             |       | <b>No Se Ilustra:</b> |           |  |       |
| 28   | 661558001 | Perno (3/8-16 x 1-3/8 pulg., cab. hex.) .....4             |       | 59   | 941531027 | Etiqueta de datos.....1                            |       | *                     |           | Aceite (SAE 30 o SAE 10W30) .....1                 |       |
| 29   | 308692003 | Acoplador de manguera de jardín con filtro .....1          |       | 60   | 940617111 | Etiqueta de arranque rapido (bomba).....1          |       | 987009002             |           | Soporte para tubo rociador .....1                  |       |
| 30   | 308661004 | Conector rápido (NPT, 3/8 pulg.) .....1                    |       | 61   | 940871002 | Etiqueta de agregue aceite .....1                  |       | 987009001             |           | Bolsa de accesorios.....1                          |       |
| 31   | 308940004 | Conjunto del mango .....1                                  |       | 62   | 678774002 | Tuerca de seguridad de brida (M8) ....8            |       | 988000979             |           | Manual del operador .....1                         |       |
|      |           |  |       | 63   | 661505004 | Perno (M8 x 45 mm, cab. hex. de brida).....4       |       | 988000981             |           | Guia para armado .....1                            |       |

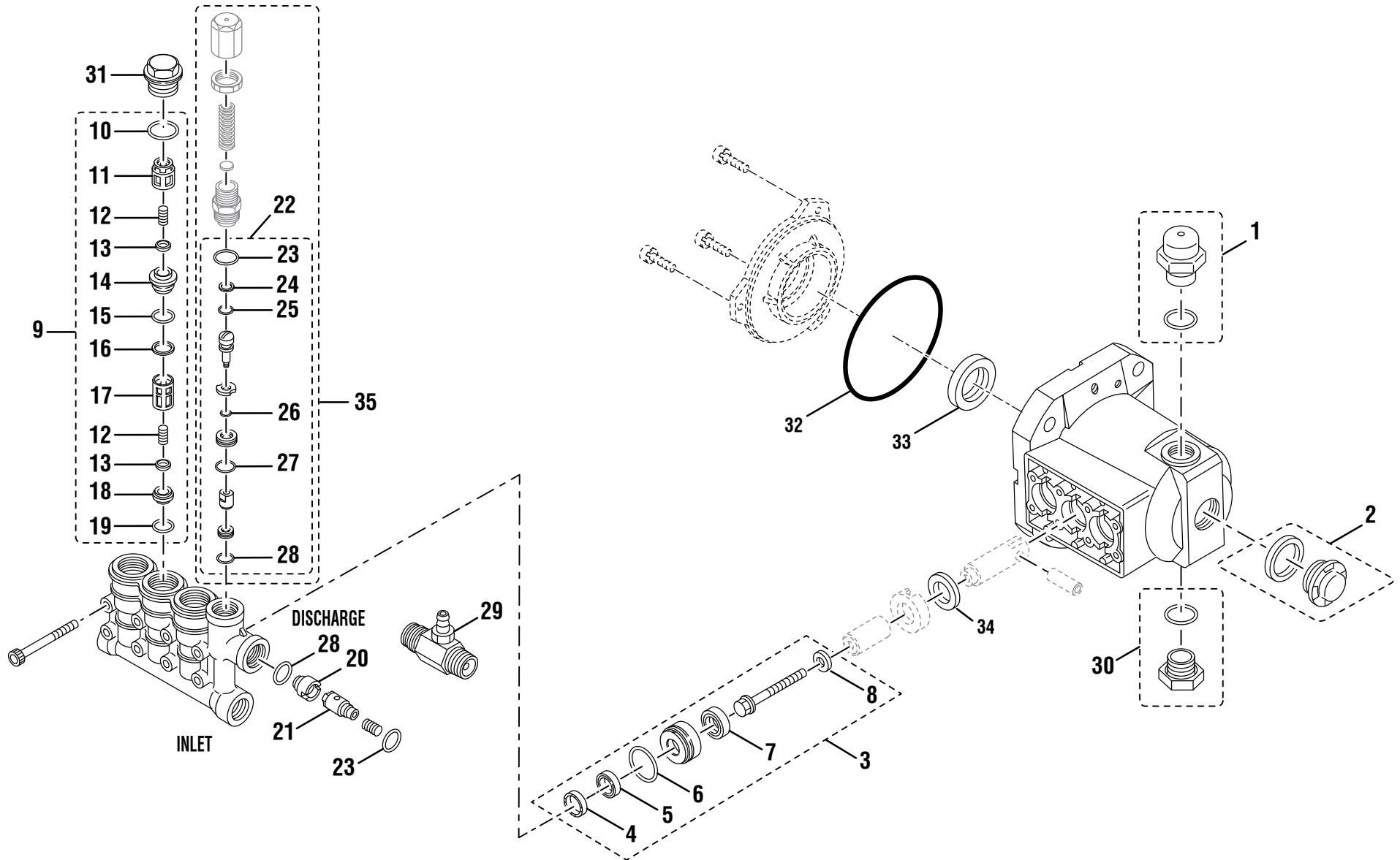
\* Artículo estándar de ferretería – Puede adquirirse en la localidad

\*\* Piezas disponibles en cualquier concesionario local de productos Subaru Robin



CT80806

FIGURE B  
(FIGURE B, FIGURA B)





# CT80806 Pump/Pompe/Bomba

| KEY | P/N       | DESCRIPTION                                 | QTY | PIÈCE RÉF. | DESCRIPTION  | QTÉ | REF. | N/P       | DESCRIPCIÓN   | CANT. |
|-----|-----------|---|-----|------------|--|-----|------|-----------|---|-------|
| 1   | 310733003 | Oil Fill Cap w/O-ring.....1                 | 1   | 310733003  | Capuchon, orifice de remplissage d'huile, avec joint torique.....1 | 1   | 1    | 310733003 | Tapa, orificio de llenado para aceite con junta tórica .....1 | 1     |
| 2   | 308688006 | Gauge .....1                                | 2   | 308688006  | Jauge .....1   | 1   | 2    | 308688006 | Escala.....1  | 1     |
| 3   | 120440001 | Seal Kit (Inc. Key Nos. 4-8) .....3         | 3   | 120440001  | Kit de joint (incl. pièces no. 4 à 8) .....3                       | 3   | 3    | 120440001 | Kit del sello (incl. pzas. núms. ref. 4 a 8) .....3           | 3     |
| 4   | 308405004 | Adapter (Male).....3                        | 4   | 308405004  | Adaptateur (mâle).....3  | 3   | 4    | 308405004 | Adaptador (macho) .....3                                      | 3     |
| 5   | 570436001 | V-Packing.....3                             | 5   | 570436001  | Garniture chevron .....3   | 3   | 5    | 570436001 | Embalaje de labios múltiples .....3                           | 3     |
| 6   | 570742004 | Seal Case O-Ring .....3                     | 6   | 570742004  | Joint torique .....3   | 3   | 6    | 570742004 | Junta tórica, estuche para sellos .....3                      | 3     |
| 7   | 570763004 | Seal .....3                                 | 7   | 570763004  | Joint d'étanchéité .....3  | 3   | 7    | 570763004 | Sello .....3  | 3     |
| 8   | 570435001 | Washer (Seal) .....3                        | 8   | 570435001  | Rondelle (joint d'étanchéité) .....3                               | 3   | 8    | 570435001 | Arandela (sello).....3  | 3     |
| 9   | 120441001 | Valve Assembly (Inc. Key Nos. 10-19) .....3 | 9   | 120441001  | Ensemble de soupape (incl. pièces no. 10 à 19) .....3              | 3   | 9    | 120441001 | Conjunto de válvula (incl. pzas. núms. ref. 10 a 19) .....3   | 3     |
| 10  | 570742007 | O-Ring (Plug).....3                         | 10  | 570742007  | Joint torique, bouchon .....3                                      | 3   | 10   | 570742007 | Junta tórica, clavija .....3                                  | 3     |
| 11  | 521407001 | Spring Retainer .....3                      | 11  | 521407001  | Retenue de ressort.....3   | 3   | 11   | 521407001 | Retén de resorte .....3                                       | 3     |
| 12  | 678519005 | Spring.....6                                | 12  | 678519005  | Ressort.....6  | 6   | 12   | 678519005 | Resorte.....6   | 6     |
| 13  | 678169008 | Valve.....6                                 | 13  | 678169008  | Soupape.....6  | 6   | 13   | 678169008 | Válvula.....6   | 6     |
| 14  | 310402001 | Discharge Seat.....3                        | 14  | 310402001  | Assise de refoulement.....3  | 3   | 14   | 310402001 | Asiento de descarga .....3                                    | 3     |
| 15  | 570742006 | O-Ring (Discharge Seat) .....3              | 15  | 570742006  | Joint torique, assise de refoulement..3                            | 3   | 15   | 570742006 | Junta tórica, asiento de descarga.....3                       | 3     |
| 16  | 521409001 | O-Ring (Discharge Seat) .....3              | 16  | 521409001  | Joint torique, assise de refoulement..3                            | 3   | 16   | 521409001 | Junta tórica, asiento de descarga.....3                       | 3     |
| 17  | 521406001 | Spring Retainer (Inlet).....3               | 17  | 521406001  | Retenue de ressort (admission) .....3                              | 3   | 17   | 521406001 | Retén de resorte (entrada) .....3                             | 3     |
| 18  | 521408001 | Inlet Seat .....3                           | 18  | 521408001  | Assise, admission .....3   | 3   | 18   | 521408001 | Asiento, entrada .....3                                       | 3     |
| 19  | 570742005 | O-Ring (Inlet Seat).....3                   | 19  | 570742005  | Joint torique, assise d'admission .....3                           | 3   | 19   | 570742005 | Junta tórica, asiento de entrada .....3                       | 3     |
| 20  | 678842001 | Check Valve Seat .....1                     | 20  | 678842001  | Assise, clapet antiretour .....1                                   | 1   | 20   | 678842001 | Asiento, válvula de retención .....1                          | 1     |
| 21  | 308826003 | Valve.....1                                 | 21  | 308826003  | Valve, clapet antiretour avec joint torique .....1                 | 1   | 21   | 308826003 | Válvula, control con junta tórica.....1                       | 1     |
| 22  | 120442001 | O-Ring Kit (Inc. Key Nos. 23-28).....1      | 22  | 120442001  | Ensemble, joint torique (incl. pièces no. 23 à 28) .....1          | 1   | 22   | 120442001 | Juego, junta tórica (incl. pzas. núms. ref. 23 a 28) .....1   | 1     |
| 23  | 570742010 | O-Ring (Piston Retainer) .....2             | 23  | 570742010  | Retenue de piston (joint torique).....2                            | 2   | 23   | 570742010 | Retén de pistón (junta tórica).....2                          | 2     |
| 24  | 310403001 | Back-up-Ring (Piston Stem) .....1           | 24  | 310403001  | Bague d'appui, tige de piston.....1                                | 1   | 24   | 310403001 | Anillo de respaldo vástago del pistón.....1                   | 1     |
| 25  | 570742008 | O-Ring (Piston Stem) .....1                 | 25  | 570742008  | Joint torique, tige de piston .....1                               | 1   | 25   | 570742008 | Junta tórica, vástago del pistón.....1                        | 1     |
| 26  | 570742011 | O-Ring (Inner Valve Retainer).....1         | 26  | 570742011  | Joint torique, coupelle d'appui de soupape (interne).....1         | 1   | 26   | 570742011 | Junta tórica, retén de válvula (interior).....1               | 1     |
| 27  | 570742009 | O-Ring (Outer).....1                        | 27  | 570742009  | Joint torique, coupelle d'appui de soupape (extérieure) .....1     | 1   | 27   | 570742009 | Junta tórica, retén de válvula (exterior).....1               | 1     |
| 28  | 570742012 | Seat O-Ring .....2                          | 28  | 570742012  | Posez le joint circulaire .....2                                   | 2   | 28   | 570742012 | Asiente el anillo o .....2                                    | 2     |
| 29  | 310923001 | Drain Plug .....1                           | 29  | 310923001  | Fixe d'injecteur (M18 x 1 mm).....1                                | 1   | 29   | 310923001 | Fuego de inyector fijo (M18 x 1 mm) .1                        | 1     |
| 30  | 679405002 | Plug.....3                                  | 30  | 679405002  | Bouchon de vidange.....1   | 1   | 30   | 679405002 | Tapón de drenaje .....1                                       | 1     |
| 31  | 570742070 | O-Ring.....1                                | 31  | 570742070  | Bouchon.....3  | 3   | 31   | 570742070 | Tapón .....3  | 3     |
| 32  | 570742069 | Oil Seal.....1                              | 32  | 570742070  | Joint torique en O .....1  | 1   | 32   | 570742070 | Anillo en "O".....1   | 1     |
| 33  | 570763007 | Oil Seal.....1                              | 33  | 570742069  | Joint d'huile.....1  | 1   | 33   | 570742069 | Aceite el sello .....1  | 1     |
| 34  | 570763007 | Oil Seal.....1                              | 34  | 570763007  | Joint d'huile.....1  | 1   | 34   | 570763007 | Aceite el sello .....1  | 1     |
| 35  | 310924001 | Unloader Assembly (Inc. Key No. 22).....1   | 35  | 310924001  | Ensemble déchargeur (incl. pièce réf. 22).....1                    | 1   | 35   | 310924001 | Conjunto del descargador (incl. pza. núm. ref. 22).....1      | 1     |

**One World Technologies, Inc.**

P.O. Box 35 Highway 8 Pickens, SC 29671

Phone 1-866-539-1710

[www.ridgid.com](http://www.ridgid.com)