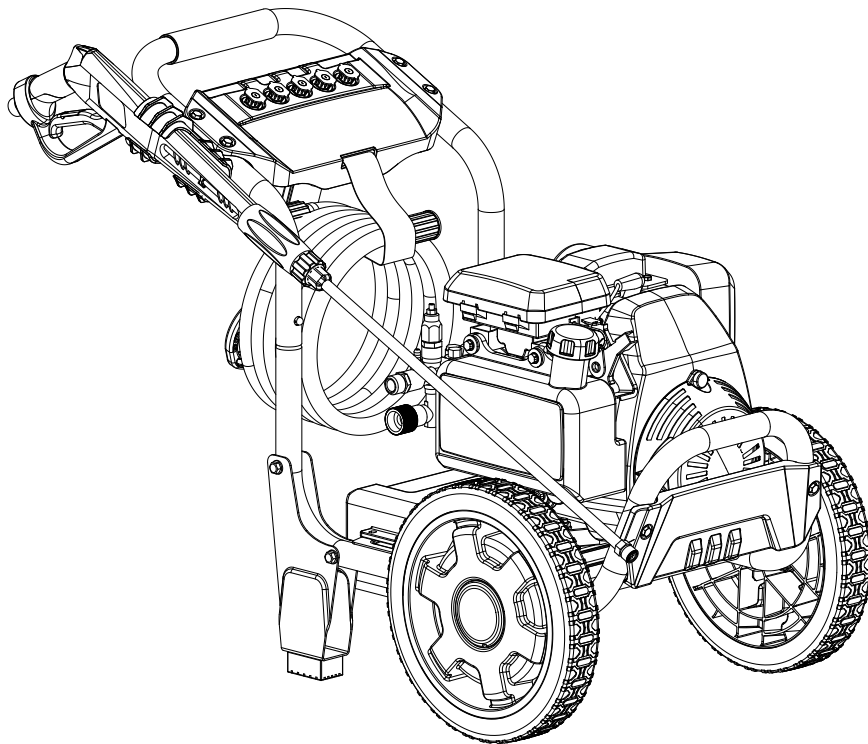




Champion Power Equipment, Inc., Santa Fe Springs, CA USA

MODEL #100823



PARTS INFORMATION

3000 PSI PRESSURE WASHER

SERIAL NUMBER RANGE: ALL

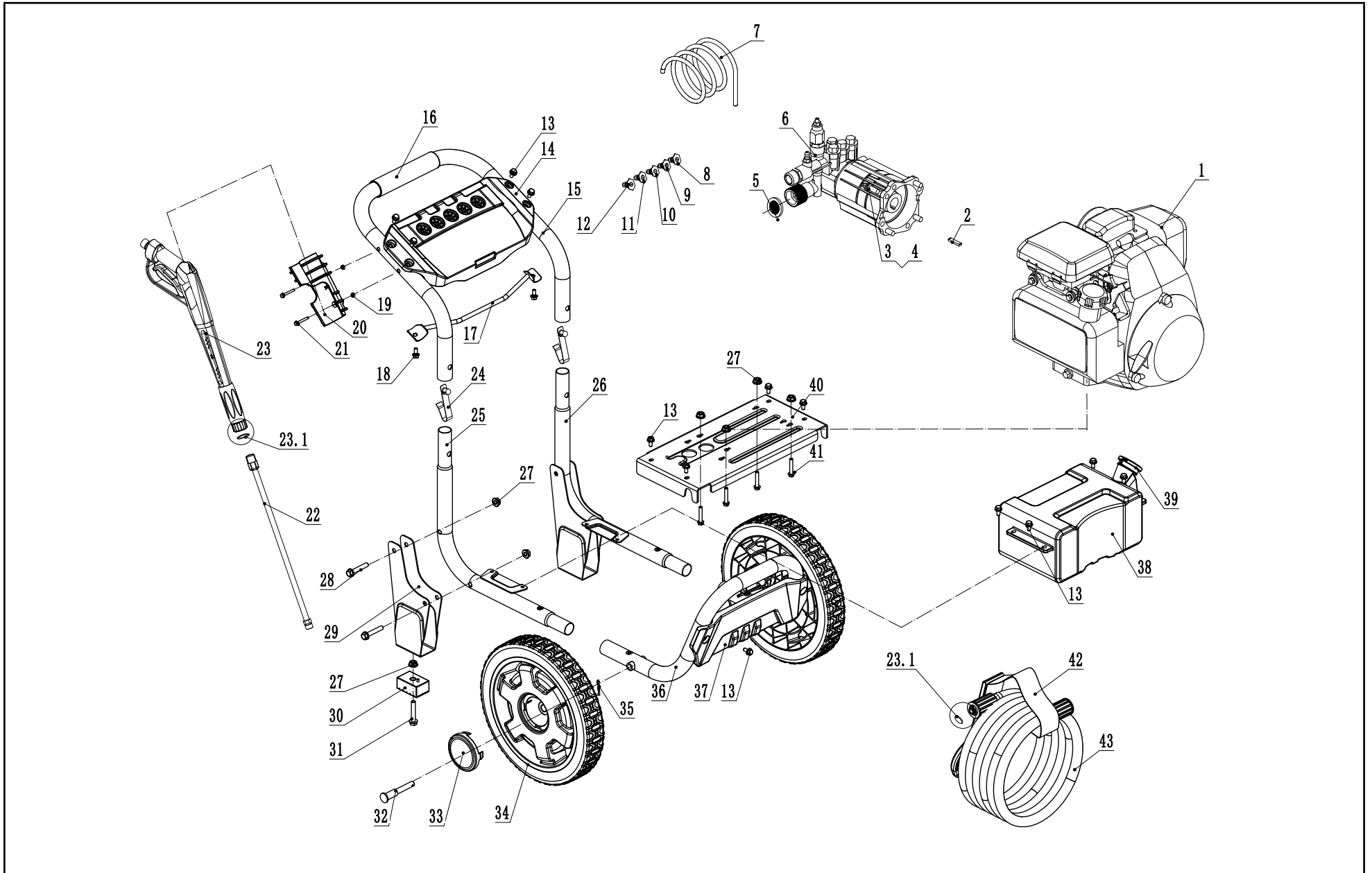


To order replacement parts please visit:
shop.championpowerequipment.com
or call **1-877-338-0999**.

TABLE OF CONTENTS

| | |
|--------------------------------------------|----------|
| Pressure Washer Parts Diagram | 3 |
| Pressure Washer Parts List | 4 |

PRESSURE WASHER PARTS DIAGRAM



PRESSURE WASHER PARTS LIST

| # | Part Number | Description | Qty. |
|------|------------------|-----------------------------|------|
| 1 | GC160-49ST | Engine, 160cc, 49 State | 1 |
| 2 | 2.14.001 | Key, SQ 4.78 x 4.78 x 40 | 1 |
| 3 | 2.08.010 | Bolt 5/16-24 x 22 | 4 |
| 4 | 1.93.08 | Lock Washer Ø8 | 4 |
| 5 | 252.251003.00 | Inlet Filter Gasket | 1 |
| 6 | 252.251000.03 | Pump Body | 1 |
| 7 | 254.250100.11 | Detergent Hose, 23.6in. | 1 |
| 8 | 254.252300.05 | Nozzle "Detergent", 65400 | 1 |
| 9 | 254.252300.13 | Nozzle "40", 40027 | 1 |
| 10 | 254.252300.12 | Nozzle "25", 25027 | 1 |
| 11 | 254.252300.11 | Nozzle"15", 15027 | 1 |
| 12 | 254.252300.10 | Nozzle "0", 00027 | 1 |
| 13 | 1.5789.0612.1 | Flange Bolt M6 x 12, Black | 14 |
| 14 | 251.200800.01.2 | Top Panel, Black | 1 |
| 15 | 251.200701.06.78 | Handle, Frame, 877C | 1 |
| 16 | 251.200702.02 | Cover, Handle | 1 |
| 17 | 251.201600.00.78 | Support plate, 877C | 1 |
| 18 | 1.5789.0612 | Flange Bolt M6 x 12 | 2 |
| 19 | 1.6177.1.06.1 | Lock Nut M6, Flange , Black | 2 |
| 20 | 254.200012.06.2 | Trigger Gun Holder, Black | 1 |
| 21 | 1.5783.0645.1 | Bolt M6 x 45, Black | 2 |
| 22 | 254.252200.00 | Wand | 1 |
| 23 | 254.252100.00.48 | Handle, Gun , Yellow | 1 |
| 23.1 | 2.07.034 | O Ring , Ø14 × Ø9 × Ø2.5 | 3 |
| 24 | 252.201300.00 | Pin | 2 |
| 25 | 251.200701.03.78 | Left Handle, 877C | 1 |
| 26 | 251.200701.04.78 | Right Handle, 877C | 1 |
| 27 | 1.6177.1.08 | Lock Nut M8, Flange | 10 |
| 28 | 1.5789.0845 | Flange Bolt M8 x 45 | 4 |
| 29 | 251.200002.01.78 | Support Leg, 877C | 2 |

| # | Part Number | Description | Qty. |
|----|------------------|---------------------------|------|
| 30 | 122.201400.04.29 | Rubber, Support | 2 |
| 31 | 1.5789.0825 | Flange Bolt M8 x 25 | 2 |
| 32 | 122.201501.00 | Pin Roll, Wheel | 2 |
| 33 | 254.201702.04.48 | Cap, Wheel, Yellow | 2 |
| 34 | 254.201701.04.48 | Wheel, PU, Yellow | 2 |
| 35 | 2.16.001 | Pin Ø2 x 33, "R" Shape | 2 |
| 36 | 251.200701.05.78 | Handle, Down, 877C | 1 |
| 37 | 251.200800.02.2 | Front Bumper, Black | 1 |
| 38 | 251.250202.00 | Detergent Tank | 1 |
| 39 | 254.250203.01 | Cap, Water Tank | 1 |
| 40 | 255.201101.06.78 | Supporting Plate, 877C | 1 |
| 41 | 1.5789.0835 | Flange Bolt M8 x 35 | 4 |
| 42 | 9.4300.000 | Hose Strap | 1 |
| 43 | 254.250100.00 | High-Pressure Hose, 25ft. | 1 |

Refer to Honda Engine Parts website at: <https://peparts.honda.com/engines>