

CHAMPION

POWER EQUIPMENT™

70004
Rev 70004-20080214



Owner's Manual and Operating Instructions



3600 PSI – 4.5 GPM

PRESSURE WASHER

Table of Contents

Introduction	1	Storage	15
Pressure Washer	1	Engine Storage	15
Accessories	1	Pressure Washer Storage	15
This Booklet	1	Specifications	16
Manual Conventions	2	Engine Specifications	16
Safety Rules	3	Pressure Washer Specifications	16
Controls and Features	6	Fuel	16
Pressure Washer	6	Oil	16
Parts Included	7	Spark Plugs	16
Assembly	8	Valve Clearance	16
Remove the Pressure Washer from the		Pressure Washer Parts Diagram	17
Shipping Carton	8	Pressure Washer Parts List	18
Install the Wheel Kit	8	Troubleshooting	21
Install Support Legs	8	Warranty	22
Assemble the Frame	8	Warranty Qualifications	22
Add Engine Oil	9	Repair/Replacement Warranty	22
Add Fuel	9	Do not return the unit to the place of	
Install the Hoses	9	purchase	22
Attach the Pressure Gun	9	Warranty Exclusions	22
Connect to Garden Hose	9	Normal Wear	22
Attach the Detergent Hose	9	Installation, Use and Maintenance	22
Other Exclusions		Limits of Implied Warranty and	
Operation	10	Consequential Damage	22
Pressure Washer Location	10	Contact Information	23
Starting the Engine	10	Address	23
High Pressure Wash	10	Customer Service	23
Adjusting the Spray Fan Angle	10	Technical Service	23
Distance from Cleaning Surface	10	Notes	24
Low Pressure Wash	11		
Detergent Use	11		
System Flush	11		
Depressurize System	11		
Operating Tips	12		
Stopping the Engine	12		
Maintenance	13		
Engine Maintenance	13		
Oil	13		
Spark Plugs	13		
Air Filter	13		
Cleaning	13		
Adjustments	14		
Maintenance Schedule	14		
Pressure Washer Maintenance	14		

Introduction

Congratulations on your purchase of a Champion Power Equipment pressure washer. CPE designs and builds pressure washers to strict specifications. With proper use and maintenance, this pressure washer will bring years of satisfying service.

Pressure Washer

This unit is a gasoline engine driven pressure washer. It is designed for use in cleaning with or without detergent and is suitable for decks, patios, house siding, vehicles, lawn furniture, barbecue grills, gardening tools and more.

Record the model and serial numbers as well as date and place of purchase for future reference. Have this information available when ordering parts and when making technical or warranty inquiries.

Accessories

Champion Power Equipment manufactures and sells accessories designed to help you get the most from your purchase. To find out more about our accessories, please visit our web site at

www.championpowerequipment.com

This Booklet

Every effort has been made to ensure the accuracy and completeness of the information in this manual. We reserve the right to change, alter and/or improve the product and this document at any time without prior notice.

Champion Power Equipment Support
1-877-338-0999
Model Number
70004
Serial Number
Date of Purchase
Purchase Location

Manual Conventions

Manual Conventions

This manual uses the following symbols to help differentiate between different kinds of information. The safety symbol is used with a key word to alert you to potential hazards in operating and owning power equipment.

Follow all safety messages to avoid or reduce the risk of serious injury or death.



DANGER

DANGER indicates an imminently hazardous situation which, if not avoided, *will* result in death or serious injury.



WARNING

WARNING indicates a potentially hazardous situation which, if not avoided, *could* result in death or serious injury.



CAUTION

CAUTION indicates a potentially hazardous situation which, if not avoided, *may* result in minor or moderate injury.

CAUTION

CAUTION used without the safety alert symbol indicates a potentially hazardous situation which, if not avoided, *may* result in property damage.



NOTE

If you have questions regarding your pressure washer, we can help. Please call our help line at 1-877-338-0999.

Safety Rules

WARNING

Read this manual thoroughly before operating your pressure washer. Failure to follow instructions could result in serious injury or death.

WARNING

The engine exhaust from this product contains chemicals known to the state of California to cause cancer, birth defects, or other reproductive harm.

DANGER

Engine exhaust contains carbon monoxide, a colorless, odorless, poison gas. Breathing carbon monoxide will cause nausea, dizziness, fainting or death.

Operate pressure washer outdoors only in a well ventilated area
DO NOT operate the pressure washer inside any building, enclosure or compartment.
DO NOT allow exhaust fumes to enter a confined area through windows, doors, vents or other openings.

DANGER

Rotating parts can entangle hands, feet, hair, clothing and/or accessories.

Traumatic amputation or severe laceration can result.

Keep hands and feet away from rotating parts.
Tie up long hair and remove jewelry.
Operate equipment with guards in place.
DO NOT wear loose-fitting clothing, dangling drawstrings or items that could become caught.

WARNING

Sparks can result in fire or electrical shock.

When servicing the pressure washer:
Disconnect the spark plug wire and place it where it cannot contact the plug.
DO NOT check for spark with the plug removed.
Use only approved spark plug testers.

WARNING

Running engines produce heat.
Severe burns can occur on contact.
Combustible material can catch fire on contact.

DO NOT touch hot surfaces.
Avoid contact with hot exhaust gases.
Allow equipment to cool before touching.
Maintain at least three feet of clearance on all sides to ensure adequate cooling.
Maintain at least five feet of clearance from combustible materials.

WARNING

Rapid retraction of the starter cord will pull hand and arm towards the engine faster than you can let go.

Unintentional startup can result in entanglement, traumatic amputation or laceration.

Broken bones, fractures, bruises or sprains could result.

When starting engine, pull the starter cord slowly until resistance is felt and then pull rapidly to avoid kickback.

Safety Rules

DANGER

Fuel and fuel vapors are highly flammable and extremely explosive.

Fire or explosion can cause severe burns or death.

Unintentional startup can result in entanglement, traumatic amputation or laceration.

When adding or removing fuel

Turn the engine off and let it cool for at least two minutes before removing the fuel cap. Loosen the cap slowly to relieve pressure in the tank. Only fill or drain fuel outdoors in a well-ventilated area.

DO NOT overfill the fuel tank.

Always keep fuel away from sparks, open flames, pilot lights, heat and other sources of ignition.

DO NOT light or smoke cigarettes.

When starting the pressure washer

DO NOT attempt to start a damaged pressure washer.

Make certain that the gas cap, air filter, spark plug, fuel lines and exhaust system are properly in place.

Allow spilled fuel to evaporate fully before attempting to start the engine.

Make certain that the pressure washer is resting firmly on level ground.

When operating the pressure washer:

DO NOT move or tip the pressure washer during operation.

DO NOT tip the pressure washer or allow fuel or oil to spill.

When transporting or servicing the pressure washer:

Make certain that the ignition switch is in the off position and the fuel tank is empty.

Disconnect the spark plug wire.

When storing the pressure washer:

Store away from sparks, open flames, pilot lights, heat and other sources of ignition.

CAUTION

Improper treatment or use of the pressure washer can damage it, shorten its life and void your warranty.

Use the pressure washer only for intended uses. Operate only on level surfaces.

DO NOT expose pressure washer to excessive moisture, dust, or dirt.

DO NOT allow any material to block the cooling slots.

DO NOT use the pressure washer if:

Equipment sparks, smokes or emits flames

Equipment vibrates excessively

DANGER

Keep clear of nozzle.

DO NOT point the pressure wand at a person, an animal or yourself.

Always wear safety glasses or goggles and protective equipment (hearing protection, gloves, rubber boots, protective clothing) when operating or performing maintenance.

- Never put hand or fingers over the spray tip while operating the unit.
- Never try to stop or deflect leaks with any body part.
- Always engage the trigger safety latch in the safe position when spraying is stopped even if only for a few moments.

WARNING

NEVER spray flammable liquids or use pressure washer in areas containing combustible dust, liquids, or vapors.

NEVER operate this machine in a closed building or in or near an explosive environment.

- Do not remove fuel tank cap or fill fuel tank while engine is hot or running (allow engine to cool two minutes before refueling). Always fill the tank slowly.
- Never disconnect the high pressure discharge hose from the machine while the system is pressurized..

 **WARNING**

NEVER run the unit dry.

Be sure the water supply is completely turned on before operating the unit.

 **WARNING**

If water has frozen in the pressure washer, thaw the pressure washer in a warm room before starting.

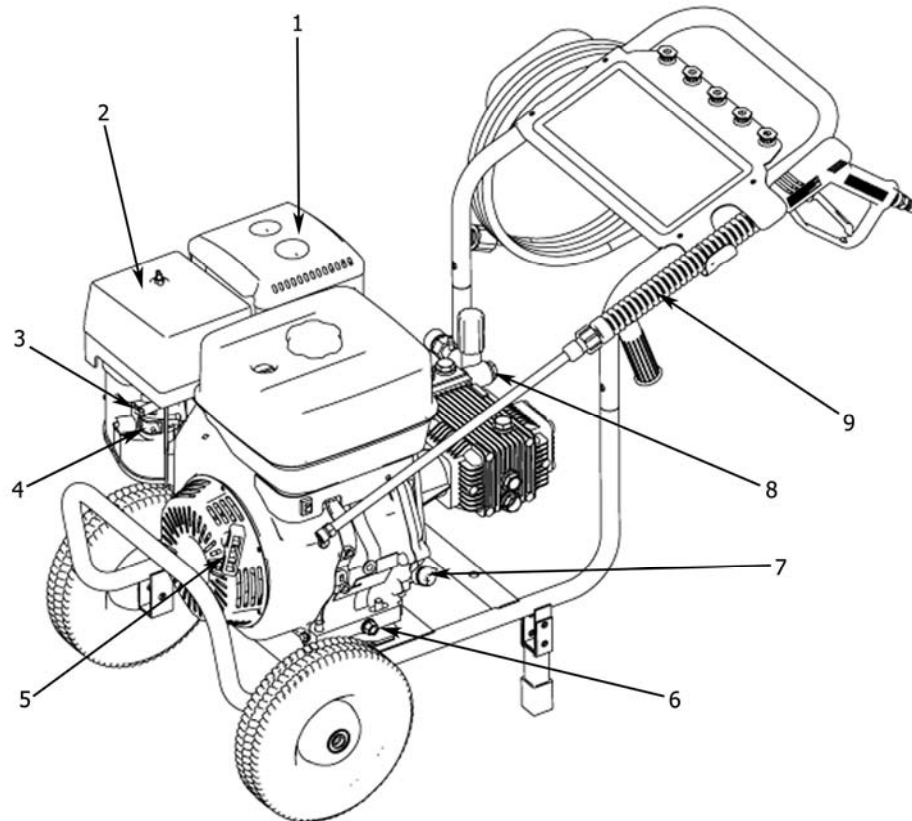
DO NOT pour hot water on or into the pump; internal parts will be damaged and your warranty will be voided.

Controls and Features

Controls and Features

Read this owner's manual before operating your pressure washer. Familiarize yourself with the location and function of the controls and features. Save this manual for future reference.

Pressure Washer



Muffler (1) – Full-size muffler for sound abatement.

Air Cleaner (2) – Protects the engine by filtering dust and debris from the intake air

Throttle (3) – Controls the engine speed.

Choke (4) – Used to start the engine

Recoil Starter (5) – Used to start the engine

Oil Drain Screw (6) – Unscrew to drain oil for oil change

Oil Filler Cap (7) – Check and fill engine oil level.

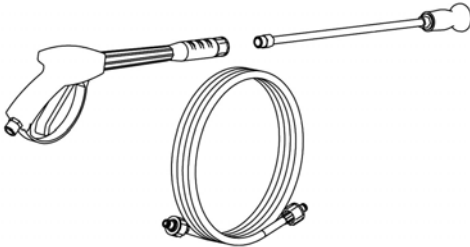
High Pressure Pump (8) – gas-engine driven wobble plate pressure pump.

Wand Assembly (9) – Hose, Gun and High Pressure Wand for power washing.

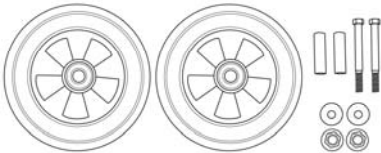
Controls and Features

Parts Included

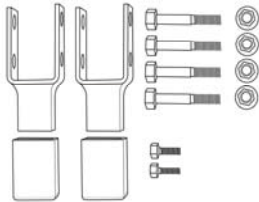
Your 70004 Gasoline Powered Pressure Washer ships with the following parts:



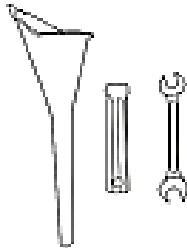
Hose Kit	
Pressure Gun	1 piece
Wand	1 piece
Hose	1 piece



Wheel Kit	
Axle Sleeve	2 piece
10" Wheel	2 pieces
Washer, Nut, Bolt	2 pieces each



Support Leg Kit	
Support Legs	2 pieces
Rubber Pads	2 pieces
Screws for Rubber Pads	2 pieces
Cap Screws and Nuts	4 sets



Oil Funnel	1 piece
Wrench	1 piece
Spark Plug Socket	1 piece



Inline Hose Filter	1 piece
--------------------	---------

Assembly

Assembly

Your pressure washer requires some assembly. This unit ships from our factory without oil. It must be properly serviced with fuel and oil before operation.

If you have any questions regarding the assembly of your pressure washer, call our help line at 1-877-338-0999. Please have your serial number and model number available.

Remove the Pressure Washer from the Shipping Carton

1. Set the shipping carton on a solid, flat surface.
2. Remove everything from the carton except the pressure washer.
3. Carefully cut each corner of the box from top to bottom. Fold each side flat on the ground to provide a surface area to install the wheels and support legs.

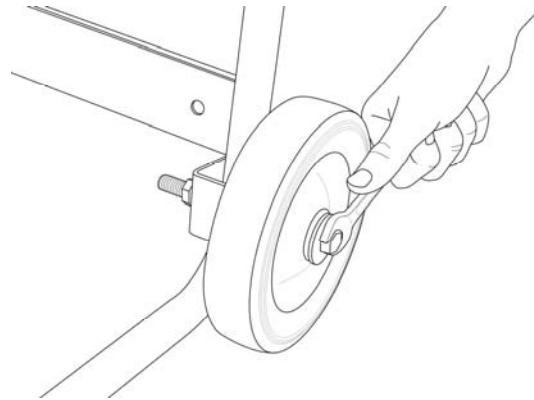
Install the Wheel Kit

CAUTION

The wheel kit is not intended for over-the-road use.

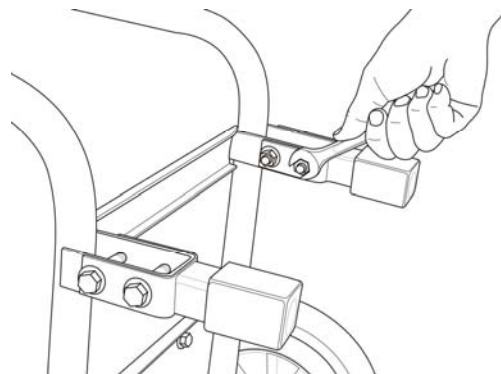
You will need the following tools to install the wheels:

- 10, 12 mm wrench
 - Socket wrench with a 8, 10,12 mm sockets
 - Pliers
1. Before adding oil to the engine, tip the pressure washer slowly so that the pump side is up.
 2. Each wheel needs: 1 bolt, 1 nut, 2 washers, 1 axle sleeve.
 3. Place axle sleeve inside of wheel. Place 1 washer on the bolt, and send it through wheel. Place other washer on, then send bolt through mounting bracket. Secure and tighten with lock nut.
 4. Repeat step 3 to attach the second wheel.



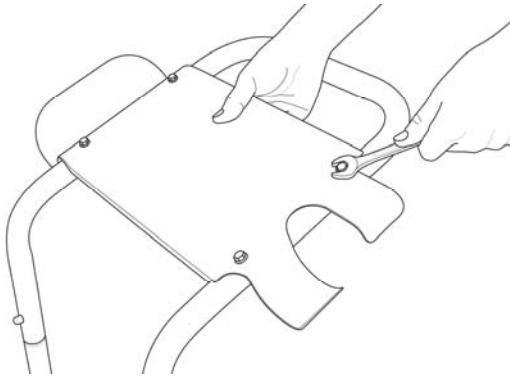
Install Support Legs

1. Attach each rubber vibration mount to each support leg with a cap screw (M8x10).
2. Attach each support leg to mounting brackets using cap screws and lock nuts provided.
3. Tip the pressure washer slowly so that it rests on the wheels and support leg.



Assemble the Frame

1. Locate the frame handle.
2. Insert frame handle into base frame and secure with hitch pins.
3. Locate the hose and gun holster.
4. Place onto frame handle and align with pre-drilled holes.
5. Secure with provided cap screws and lock nuts. Tighten with 10mm wrench



Add Fuel

1. Use clean, fresh, regular unleaded fuel with a minimum octane rating of 85.
2. DO NOT mix oil with fuel.
3. Clean the area around the fuel cap.
4. Remove the fuel cap
5. Slowly add fuel to the tank. DO NOT overfill. Allow approximately ¼ inch of space for fuel expansion.
6. Screw on the fuel cap and wipe away any spilled fuel.

Add Engine Oil

⚠ CAUTION

DO NOT attempt to crank or start the engine before it has been properly filled with the recommended type and amount of oil. Damage to the pressure washer as a result of failure to follow these instructions will void your warranty.

1. Place the pressure washer on a flat, level surface.
2. Remove oil fill cap/dipstick to add oil.
3. Add 0.63 qt (0.6 L) of oil and replace oil fill cap/dipstick.
4. Check engine oil level daily and add as needed.

CAUTION

The engine is equipped with a low-oil-shutoff and the will stop when the oil level in the crankcase falls below the threshold level.

⚠ NOTE

Check oil often during the break-in period. Refer to the Maintenance section for recommended service intervals.

⚠ CAUTION

Use regular unleaded gasoline with a minimum octane rating of 85.

Do not mix oil and gasoline.
 Fill tank to approximately ¼" below the top of the tank to allow for fuel expansion.
 DO NOT fill fuel tank indoors.
 DO NOT fill fuel tank when the engine is running or hot.
 DO NOT overfill the fuel tank.
 DO NOT light cigarettes or smoke when filling the fuel tank.

Install the Hoses

Attach the Pressure Gun

1. Attach the wand with nozzle to the gun.
2. Connect the high pressure hose to the outlet connection on the pump.
3. Connect the other end of the high pressure hose to the gun.

Connect to Garden Hose

Secure a garden hose (not included) to the inlet connection on the pump.

Attach the Detergent Hose

Connect the clear detergent hose to the brass barb on the pumps outlet connector. Place the filter end of the detergent hose into pressure washer detergent (not included).

Operation

Pressure Washer Location

This pressure washer must have at least five feet of clearance from combustible material. Leave at least three feet of clearance on all sides of the pressure washer to allow for adequate cooling, maintenance and servicing.

Place the pressure washer in a well-ventilated area. **DO NOT** place the pressure washer near vents or intakes where exhaust fumes could be drawn into occupied or confined spaces. Carefully consider wind and air currents when positioning pressure washer.

Starting the Engine

1. Make certain the pressure washer is on a flat, level surface.
2. Connect the pressure washer to the garden hose and turn on the water supply. Never start or run the pressure washer if the water supply is disconnected or turned off.
3. Move the choke lever to the “Choke” position.
4. Pull the starter cord slowly until resistance is felt and then pull rapidly
5. As engine warms up, move the choke lever to “Run”.
6. Move the throttle lever to the “Open” (Hare) position.

NOTE

If the engine starts but does not run, make certain that the pressure washer is on a flat, level surface. The engine is equipped with a low oil sensor that will prevent the engine from running when the oil level falls below a critical threshold.

High Pressure Wash

CAUTION

Always engage the trigger safety latch when the unit is not in use.

The trigger safety latch prevents the gun from being triggered accidentally. Push the latch fully down to engage it.

Adjusting the Spray Fan Angle

Your unit is equipped with an adjustable fan nozzle. The spray end of the wand can be rotated to have a narrow high impact stream to a 60° wide fan spray. A narrow stream has high impact force on the cleaning surface and results in maximum deep cleaning in a concentrated area.

CAUTION

The narrow high impact spray can damage some surfaces.

A wide fan pattern distributes the impact of the water over a larger area resulting in excellent cleaning action with reduced risk of surface damage. Clean large surface areas quickly using a wide fan pattern.

Distance from Cleaning Surface

The distance between the spray nozzle and the cleaning surface is another factor that affects the impact force of the water. The impact force of the water increases as the nozzle is moved closer to the surface. You can vary the impact force by controlling

1. the nozzle's fan pattern,
2. the nozzle's angle to the cleaning surface,
3. and the nozzle's distance from the cleaning surface.

Never use a narrow high impact stream on a surface that is susceptible to damage. Avoid spraying windows with a narrow high impact stream or turbo nozzle. Doing so may break the glass.

1. Before triggering the gun, adjust the nozzle or quick connect tip to a wide fan pattern.
4. Place the nozzle approximately 4-5 feet away from the cleaning surface. Then hold the nozzle at a 45 degree angle to the cleaning surface. Trigger the gun.
5. Vary the fan pattern spray angle and the distance to the cleaning surface until optimum cleaning efficiency is achieved without damaging the surface.

WARNING

Never slide the nozzle from low to high pressure or from high to low pressure when the gun is triggered.

Low Pressure Wash

Detergent Use

The use of detergents can dramatically reduce cleaning time and assist in the removal of difficult stains. Many detergents are customized for pressure washer use on specific cleaning tasks. Pressure washer detergents are as thick as water. Using thicker detergents – like dish soap – will clog the chemical injection system

NOTE

Use only detergents specially formulated for pressure washers.

You can effectively clean surfaces by combining the chemical action of detergents with high pressure rinses. On vertical surfaces, apply the detergent starting at the bottom and work your way upward. This method prevents the detergent from sliding down and causing streaks. Begin high pressure rinsing at the bottom and work your way upward. On particularly tough stains, use a brush in combination with detergents and high pressure rinsing.

CAUTION

Never make the nozzle pressure adjustment when the gun is triggered.

Adjusting the high-low nozzle when the gun is triggered can result in damage to the seals in the nozzle and will void your warranty.

System Flush

After using detergents, flush the suction system by placing the detergent suction tube into a bucket of clean water.

WARNING

NEVER turn the water supply off before turning the engine/motor off.

Depressurize System

To depressurize, turn engine/motor off, turn water supply off and squeeze gun trigger 2-3 times.

WARNING

NEVER disconnect the high pressure discharge hose from the machine while the system is pressurized.

To reduce the risk of bodily injury or property damage, always follow this procedure whenever spraying is stopped, when work is completed, and before checking or repairing any part of the system.

1. Engage the trigger safety latch.
2. Turn the unit off.
3. Remove the ignition cable from the spark plug.
4. Shut off the water supply.
5. Disengage the trigger safety latch and trigger the gun to relieve pressure.
6. Re-engage the trigger safety latch.
7. Before overnight storage, long term storage, or transporting unit, disconnect the water supply and turn off the fuel supply valve.

Operation

Operating Tips

CAUTION

Never operate your pressure washer without water.

CAUTION

Never connect your pressure washer to a hot water supply.

Connecting your pressure washer to a hot water source will significantly reduce the life of the pump and will void your warranty..

CAUTION

Running the unit for more than one minute without spraying water causes heat to build up in the pump.

Running the unit without spraying water can damage pump components and will void your warranty.

CAUTION

Release the trigger prior to switching the wand between high and low pressure.

Failure to do so may reduce the life of the o-rings in the wand and will void your warranty.

Stopping the Engine

1. Turn the ignition switch to the “Off” position.
2. Depressurize system.
3. Turn off and unplug all hoses. Never start or stop the pressure washer unless the water supply is turned on.

Maintenance

The owner/operator is responsible for all periodic maintenance.

WARNING

Never operate a damaged or defective pressure washer.

WARNING

Improper maintenance will void your warranty.

Complete all scheduled maintenance in a timely manner. Correct any issue before operating the pressure washer.

NOTE

For service or parts assistance, contact our help line at 1-877-338-0999.

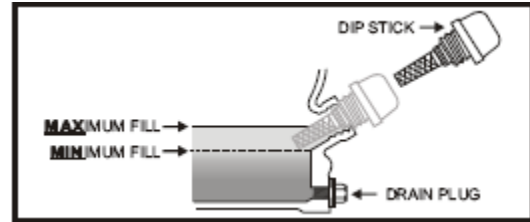
Engine Maintenance

To prevent accidental starting, remove and ground spark plug wire before performing any service.

Oil

Change oil when the engine is warm. Refer to the oil specification to select the proper grade of oil for your operating environment.

1. Remove the oil drain plug with a 15 mm socket and extension.
2. Allow the oil to drain completely.
3. Replace the drain plug.
4. Remove oil fill cap/dipstick to add oil.
5. Add 0.63 qt (0.6 L) of oil and replace oil fill cap/dipstick.
6. Dispose of used oil at an approved waste management facility.



Spark Plugs

1. Remove the spark plug cable from the spark plug.
2. Use the spark plug tool that shipped with your pressure washer to remove the plug.
3. Inspect the electrode on the plug. It must be clean and not worn to produce the spark required for ignition.
4. Make certain the spark plug gap is 0.7 - 0.8mm (0.028 - 0.031 in.).
5. Refer to the spark plug recommendation chart when replacing the plug.
6. Carefully thread the plug into the engine.
7. Use the spark plug tool to firmly install the plug.
8. Attach the spark plug wire to the plug.

Air Filter

1. Remove the wing nut holding the air filter cover to the assembly.
2. Remove the foam element.
3. Wash in liquid detergent and water. Squeeze thoroughly dry in a clean cloth.
4. Saturate in clean engine oil.
5. Squeeze in a clean, absorbent cloth to remove all excess oil.
6. Place the filter in the assembly.
7. Reattach the air filter cover and attach with the wing nut.

Cleaning

CAUTION

DO NOT spray engine with water.

Water can contaminate the fuel system.

Use a damp cloth to clean exterior surfaces of the engine.

Use a soft bristle brush to remove dirt and oil.

Use an air compressor (25 PSI) to clear dirt and debris from the engine.

Maintenance

Adjustments

CPE recommends that you contact our service line at 1-877-338-0999 for all other service and/or adjustment needs.

Maintenance Schedule

Follow the service intervals indicated in the schedule below.

Service your pressure washer more frequently when operating in adverse conditions.

Contact our help line at 1-877-338-0999 to locate the nearest Champion Power Equipment certified service dealer for your maintenance needs.

Every 8 hours or daily
Check oil level
Clean around air intake and muffler
First 5 Hours
Change oil
First 10 hours
Check/Adjust Valve Clearance *
Every 50 hours or every season
Clean air filter
Change oil if operating under heavy load or in hot environments
Every 100 hours or every season
Change oil
Clean/Adjust spark plug
Check/Adjust valve clearance *
Clean fuel tank and filter *
Every 3 years
Replace fuel line

* To be performed by knowledgeable, experienced owners or Champion Power Equipment certified service dealers

Pressure Washer Maintenance

Make certain that the pressure washer is kept clean and stored properly. Only operate the unit on a flat, level surface in a clean, dry operating environment. DO NOT expose the unit to extreme conditions, excessive dust, dirt, moisture or corrosive vapors.

CAUTION

DO NOT use a garden hose to clean the pressure washer.

Use a damp cloth to clean exterior surfaces of the pressure washer.

Use a soft bristle brush to remove dirt and oil.

Use an air compressor (25 PSI) to clear dirt and debris from the pressure washer.

Inspect all air vents and cooling slots to ensure that they are clean and unobstructed.

Storage

For long term storage, please follow these guidelines.

Engine Storage

1. Allow the engine to cool completely before storage.
2. Clean the engine according to the instructions in the Maintenance section.
3. Drain all fuel completely from the fuel line and carburetor to prevent gum from forming.
4. Add a fuel stabilizer into the fuel tank.
5. Change the oil.

6. Remove the spark plug and pour about $\frac{1}{2}$ ounce of oil into the cylinder. Crank the engine slowly to distribute the oil and lubricate the cylinder.
7. Reattach the spark plug.

Pressure Washer Storage

1. Allow the pressure washer to cool completely before storage.
2. Turn off the fuel supply at the fuel valve.
3. Clean the pressure washer according to the instructions in the Maintenance section.
4. Store the unit in a clean, dry area out of direct sunlight.

Specifications

Specifications

Engine Specifications

Engine 13HP OHV CPE

NOTE

The gross horsepower of this engine was laboratory-rated at our factory in accordance with SAE J1940 as configured to meet safety, emissions, and operating requirements. The actual engine horsepower on this class of engine may be significantly lower.

Pressure Washer Specifications

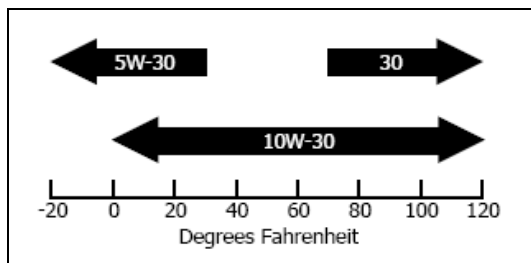
Fuel Capacity	1.7 gallons (6.43 L)
Weight	138 lbs. (62.6 kg)
Height	30 inches (76.2 cm)
Width	21 inches (53.3 cm)
Length	39 inches (99 cm)

Fuel

Fuel capacity is 1.7 US gallons (6.43 L). Use regular unleaded gasoline with a minimum octane rating of 85.

Oil

Oil capacity is 0.63 qt (0.6 L).



Spark Plugs

Your pressure washer comes equipped with a 3/4" long reach plug (18mm)

Intermittent use (less than 1 hour/month) or colder temperatures (below 60°F)
NGK B6ES or equivalent

Moderate use (less than 3 hours/month) or seasonal temperatures (50-80°F)
NGK B7ES or equivalent

Extreme use (continuous) or hot climates (80-100°F)
NGK B8ES or equivalent

Make certain the spark plug gap is 0.7 - 0.8mm (0.028 - 0.031 in.).

Valve Clearance

Intake 0.13-0.17mm (0.005 – 0.007 in.)
Exhaust 0.18-0.22mm (0.007 – 0.009 in.)

Specifications

Pressure Washer Parts List

No	Part #	Description	Qty
1	ST36QXG-3100001	Screw	6
2	ST36QXG-3100002	Oil Gauge	1
3	ST36QXG-3100003	Gasket	1
4	ST36QXG-3100004	Drain Plug	1
5	ST36QXG-3100005	Gasket	1
6	ST36QXG-3100006	Crankcase Cover	1
7	ST36QXG-3100007	O-Ring	1
8	ST36QXG-3100008	Cover Oil Plug	1
9	ST36QXG-3100009	Oil Plug	1
10	ST36QXG-3100010	O-Ring	1
11	ST36QXG-3100011	Crankcase	1
12	ST36QXG-3100012	Screw	4
13	ST36QXG-3100013	Oil Seal	1
14	ST36QXG-3100014	Flange	1
15	ST36QXG-3100015	O-Ring	1
16	ST36QXG-3100016	Needle Bearing	1
17	ST36QXG-3100017	Crankshaft	1
18	ST36QXG-3100018	Ball Bearing	1
19	ST36QXG-3100019	Clip	1
20	ST36QXG-3100020	O-Ring	1
21	ST36QXG-3100021	Cover	1
22	ST36QXG-3100022	Screw	4
23	ST36QXG-3200001	Oil Seal Plunger	3
24	ST36QXG-3200002	Locating Ring	3
25	ST36QXG-3200003	O-Ring	3
26	ST36QXG-3200004	Low Pressure Seal	3
27	ST36QXG-3200005	Compaction Ring	3
28	ST36QXG-3200006	Compaction Flake	3
29	ST36QXG-3200007	High-Pressure Seal	3
30	ST36QXG-3200008	Supporting Ring	3
31	ST36QXG-3200009	Plunger Guide	3
32	ST36QXG-3200010	Checking Ring	3
33	ST36QXG-3200011	Backup Ring	3
34	ST36QXG-3200012	O-Ring	3
35	ST36QXG-3200013	Ceramic Pipe	3
36	ST36QXG-3200014	Plain Washer	3
37	ST36QXG-3200015	Fix Nut	3
38	ST36QXG-3200016	Connecting Rod	3
39	ST36QXG-3200017	Fix Pin	3
40	ST36QXG-3300001	Screw	1
41	ST36QXG-3300002	Plastic Cap Knob	1
42	ST36QXG-3300003	Knob	1
43	ST36QXG-3300004	Spring	1
44	ST36QXG-3300005	Spring Seat	1
45	ST36QXG-3300006	Jam Nut	1
46	ST36QXG-3300007	Fix Screw	1
47	ST36QXG-3300008	Valve Rod	1
48	ST36QXG-3300009	Backup Ring	1
49	ST36QXG-3300010	O-Ring	1
50	ST36QXG-3300011	Valve Body	1
51	ST36QXG-3300012	O-Ring	1
52	ST36QXG-3300013	O-Ring	1
53	ST36QXG-3300014	Backup Ring	1
54	ST36QXG-3300015	O-Ring	1
55	ST36QXG-3300016	Seat Valve Body	1
56	ST36QXG-3300017	Bullet	1
57	ST36QXG-3300018	O-Ring	1
58	ST36QXG-3300019	Seat	1

Specifications

No	Part #	Description	Qty
59	ST36QXG-3300020	O-Ring	1
60	ST36QXG-3300021	Outlet T Connector	1
61	ST36QXG-3300022	O-Ring	1
62	ST36QXG-3300023	O-Ring	1
63	ST36QXG-3300024	Checking Valve	1
64	ST36QXG-3300025	Spring	1
65	ST36QXG-3300026	O-Ring	1
66	ST36QXG-3300027	Outlet Connector	1
67	ST36QXG-3300028	O-Ring	1
68	ST36QXG-3300029	Outlet Banjo Bolt	1
69	ST36QXG-3300030	O-Ring	1
70	ST36QXG-3300031	Inlet T Connector	1
71	ST36QXG-3300032	O-Ring	1
72	ST36QXG-3300033	Inlet Connector	1
73	ST36QXG-3300034	Swivel Nut	1
74	ST36QXG-3300035	Clip	1
75	ST36QXG-3300036	Water Filter	1
76	ST29QXG-3300100	Plastic Nut	1
77	ST36QXG-3300037	O-Ring	1
78	ST36QXG-3300038	Inlet Banjo Bolt	1
79	ST36QXG-3300039	Water Injection Tube	1
80	ST36QXG-3300040	QD Body	1
81	ST36QXG-3300041	Ball	8
82	ST36QXG-3300042	Spring	1
83	ST36QXG-3300043	Clip	1
84	ST36QXG-3300044	Collar	1
85	ST36QXG-3300045	O-Ring	1
86	ST36QXG-3300046	Soap Suction Nozzle	1
87	ST36QXG-3300047	O-Ring	1
88	ST36QXG-3300048	Ball	1
89	ST36QXG-3300049	Spring	1
90	ST36QXG-3300050	Manifold Head	1
91	ST36QXG-3300051	O-Ring	6
92	ST36QXG-3300052	Seat	6
93	ST36QXG-3300053	Valve Plate	6
94	ST36QXG-3300054	Spring	6
95	ST36QXG-3300055	Valve Cage	6
96	ST36QXG-3300056	O-Ring	6
97	ST36QXG-3300057	Valve Plug	6
98	ST36QXG-3300058	Outlet Plug	1
99	ST36QXG-3300059	Inlet Plug	1
100	ST36QXG-3300060	Screw	8
101	GB96-85-P10	Flat Washer $\Phi 10$	2
102	GB5780-2000-B10-120	Bolt M10 \times 120	2
103	ST188FD-1744002-T	Wheel	2
104	GB5789-86-FB6-25	Flange Bolt M6 \times 25	2
105	ST168FD-1151106G	Vibration Mount	2
106	ST36QXG-03011004	Support Leg	2
107	GB6177-86-N8	Nut M8	4
108	GB5789-86-FB8-45	Flange Bolt M8 \times 45	4
109	GB/T6182-2000-N10	Nut M10	12
110	ST36QXG-03000002	Bush $\Phi 10.5 \times 68.5$	2
111	ST36QXG-03011002	Frame	1
112	ST36QXG-03000001	Bottom Rubber	2
113	ST29QXG-2100004	Pin	2
114	ST188F-1000000-Q	Engine 13HP (Q)	1
115	ST36QXG-02100005	Compression Resistance Hose	1
116	ST36QXG-02100002-0	Nozzle"0"	1
117	ST36QXG-02100002-15	Nozzle"15"	1
118	ST36QXG-02100002-25	Nozzle"25"	1

Specifications

No	Part #	Description	Qty
119	ST36QXG-02100002-40	Nozzle"40"	1
120	ST36QXG-02100002-D	Nozzle "Detergent"	1
121	ST22QXP-2100003	Grommet	5
122	GB5789-86-FB6-35	Flange Bolt M6×35	4
123	ST36QXG-03011003	Pothook	1
124	ST36QXG-2000001	Bolt 3/8-16	4
125	ST36QXG-2000002	Key 6.3×6.3×45	1
126	ST36QXG-03011001	Handle	1
127	GB6177-86-N6	Nut M6	4
128	ST36QXG-02100003	Gun Assembly	1
129	ST36QXG-02100004	Connect Wand	1

Troubleshooting

Problem	Cause	Solution
Pressure washer will not start	No fuel	Add fuel
	Faulty spark plug	Replace spark plug
	Unit loaded during start up	Remove load from unit
Pressure washer will not start; Pressure washer starts but runs roughly	Low oil level	Fill crankcase to the proper level Place pressure washer on a flat, level surface
	Choke in the wrong position.	Adjust choke.
	Spark plug wire loose	Attach wire to spark plug
Pressure washer shuts down during operation	Out of fuel	Fill fuel tank
	Pressure washer not level	Place pressure washer on a flat, level surface
	Low oil level	Fill crankcase to the proper level. Place pressure washer on a flat, level surface
Pressure washer cannot supply enough power or overheating	Pressure washer is overloaded	Review load and adjust. See "Power Management"
	Insufficient ventilation	Check for air restriction. Move to a well ventilated area
Pressure washer gallops	Engine governor defective	Contact the help line
Repeated circuit breaker tripping	Overload	Review load and adjust. See "Power Management"
	Faulty cords or device	Check for damaged, bare or frayed wires. Replace defective device

Warranty

Warranty

CHAMPION POWER EQUIPMENT 90 DAY LIMITED WARRANTY

Effective September 1, 2006. Replaces all undated warranties and all warranties dated before September 1, 2006.

Warranty Qualifications

Champion Power Equipment (CPE) will register this warranty upon receipt of your Warranty Registration Card and a copy of your sales receipt from one of CPE's retail locations as proof of purchase.

Please submit your warranty registration and your proof of purchase within ten (10) days of the date of purchase.

Repair/Replacement Warranty

CPE warrants to the original purchaser that the mechanical components will be free of defects in material and workmanship for a period of ninety (90) days from the original date of purchase (30 days for commercial & industrial use). Transportation charges on product submitted for repair or replacement under this warranty are the sole responsibility of the purchaser. This warranty only applies to the original purchaser and is not transferable.

Do not return the unit to the place of purchase

Contact CPE's Technical Service and CPE will troubleshoot any issue via phone or e-mail. If the problem is not corrected by this method, CPE will, at its option, authorize evaluation, repair or replacement of the defective part or component at a CPE Service Center. CPE will provide you with a case number for warranty service. Please keep it for future reference. Repairs or replacements without prior authorization, or at an unauthorized repair facility, will not be covered by this warranty.

Warranty Exclusions

This warranty does not cover the following repairs and equipment:

Normal Wear

Pressure washers need periodic parts and service to perform well. This warranty does not cover repair when normal use has exhausted the life of a part or the equipment as a whole.

Installation, Use and Maintenance

This warranty will not apply to parts and/or labor if this pressure washer is deemed to have been misused, neglected, involved in an accident, abused, loaded beyond the pressure washer's limits, modified, installed improperly or connected incorrectly to any water supply. Normal maintenance such as spark plugs, air filters, adjustments, fuel system cleaning and obstruction due to buildup is not covered by this warranty.

Other Exclusions

This warranty excludes:

Cosmetic defects such as paint, decals, etc.
Wear items such as filter elements, o-rings, etc.
Accessory parts such as starting batteries, and storage covers.

Failures due to acts of God and other force majeure events beyond the manufacturer's control.

Problems cause by parts that are not original Champion Power Equipment parts.

This warranty does not apply to pressure washers used for prime power in place of a utility.

Limits of Implied Warranty and Consequential Damage

Champion Power Equipment disclaims any obligation to cover any loss of time, use of this product, freight, or any incidental or consequential claim by anyone from using this pressure washer. THIS WARRANTY IS IN LIEU OF ALL OTHER WARRANTIES, EXPRESS OR IMPLIED, INCLUDING WARRANTIES OF MERCHANTABILITY OR FITNESS FOR A PARTICULAR PURPOSE

A unit provided as an exchange will be subject to the warranty of the original unit. The length of the warranty governing the exchanged unit will remain calculated by reference to the purchase date of the original unit.

This warranty gives you certain legal rights which may change from state to state. Your state may also have other rights you may be entitled to that are not listed within this warranty.

Contact Information

Address

Champion Power Equipment, Inc.
Customer Service
10006 Santa Fe Springs Rd.
Santa Fe Springs, CA 90670

Customer Service

Mon – Fri 8:30 AM – 5:00 PM (PST/PDT)
Toll Free: 1-877-338-0999
Fax no.: 1-562-236-9429

Technical Service

Mon – Fri 8:30 AM – 5:00 PM (PST/PDT)
Toll Free: 1-877-338-0999
tech@championpowerequipment.com

Warranty

CHAMPION POWER EQUIPMENT 90 DAY LIMITED WARRANTY

Effective September 1, 2006. Replaces all undated warranties and all warranties dated before September 1, 2006.

Warranty Qualifications

Champion Power Equipment (CPE) will register this warranty upon receipt of your Warranty Registration Card and a copy of your sales receipt from one of CPE's retail locations as proof of purchase. Please submit your warranty registration and your proof of purchase within ten (10) days of the date of purchase.

Repair/Replacement Warranty

CPE warrants to the original purchaser that the mechanical components will be free of defects in material and workmanship for a period of ninety (90) days from the original date of purchase (30 days for commercial & industrial use). Transportation charges on product submitted for repair or replacement under this warranty are the sole responsibility of the purchaser. This warranty only applies to the original purchaser and is not transferable.

Do not return the unit to the place of purchase

Contact CPE's Technical Service and CPE will troubleshoot any issue via phone or e-mail. If the problem is not corrected by this method, CPE will, at its option, authorize evaluation, repair or replacement of the defective part or component at a CPE Service Center. CPE will provide you with a case number for warranty service. Please keep it for future reference. Repairs or replacements without prior authorization, or at an unauthorized repair facility, will not be covered by this warranty.

Warranty Exclusions

This warranty does not cover the following repairs and equipment:

Normal Wear

Pressure washers need periodic parts and service to perform well. This warranty does not cover repair when normal use has exhausted the life of a part or the equipment as a whole.

Notes