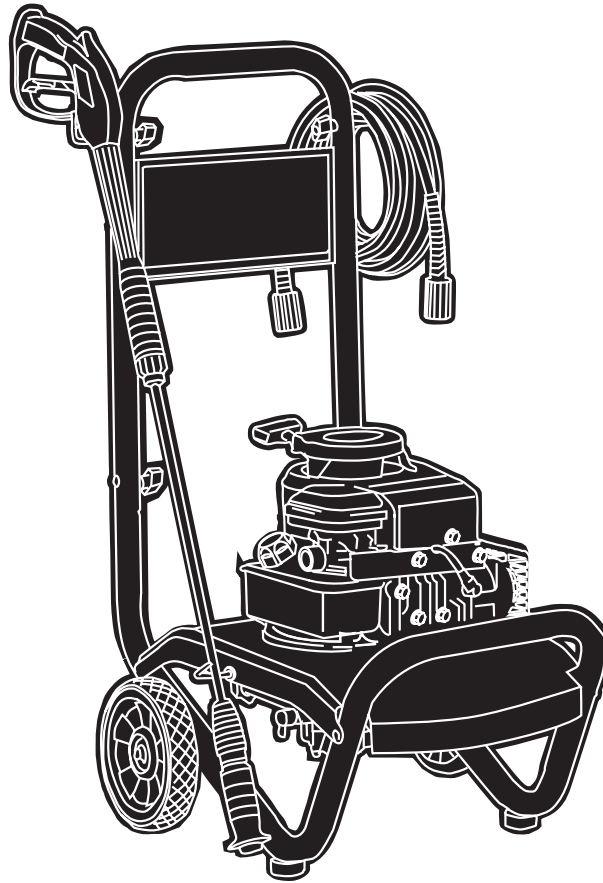


# **CleanShot™** **2050 PSI**

## *Illustrated Parts List*



Questions? Help is just a moment away!  
Preguntas? La ayuda es justa un momento lejos!

Call: **Pressure Washer Helpline**

Llame: **Línea Directa del Lavador a Presión - 1-800-743-4115** M-F 8-5 CT

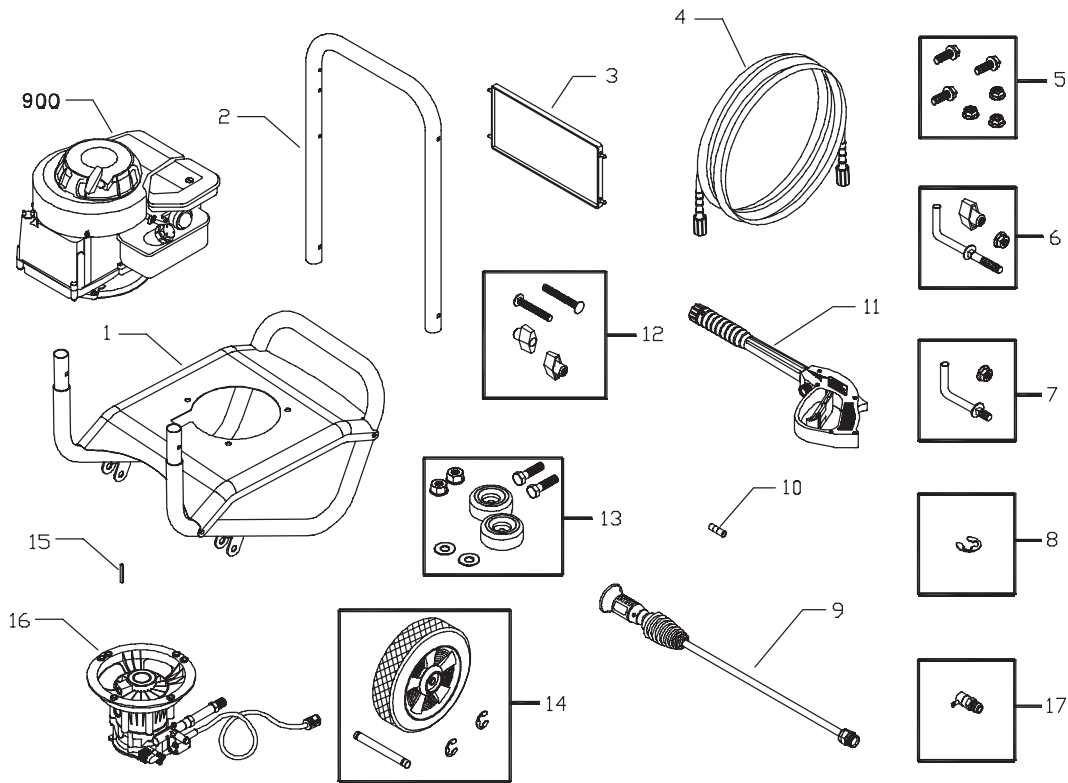
CleanShot™ is a trademark of Briggs & Stratton Power Products.

CleanShot™ es una marca registrada de Briggs & Stratton Power Products.

**BRIGGS & STRATTON POWER PRODUCTS GROUP, LLC**  
**JEFFERSON, WISCONSIN, U.S.A.**

Model No. 020244-I (2050 PSI Pressure Washer) Manual No. 197182A Revision I (03/10/2006)

## EXPLODED VIEW AND PARTS LIST - MAIN UNIT



Item	Part #	Description	Item	Part #	Description
1	192419GS	BASE	11	193482GS	GUN
2	B194030GS	HANDLE	12	B2203GS	KIT, Handle Connector
3	195953GS	ASSY, Billboard	13	192310GS	KIT, Vibration Mount
4	196006GS	HOSE	14	194255GS	KIT, Wheel
5	192525GS	KIT, Pump Mounting Hardware	15	23139GS	KEY
6	194264GS	KIT, Hook, Handle	16	197300GS	ASSY, Pump (see page 3)
7	192309GS	KIT, Hook, Base	17	194298GS	VALVE, Thermal Relief
8	192050GS	KIT, E-Ring 1/2"	900	§	ENGINE
9	194344DGS	ASSY, Wand			
10	193609DGS	ORFICE			

§ - Contact Engine Manufacturer

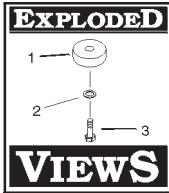
### Items Not Illustrated:

Part #	Description
197182GS	MANUAL, Operator's
MS5573	MANUAL, Engine
194256GS	KIT, Tag/Warning Srv
192755GS	DECAL, Warning
BB3061BGS	OIL, Engine

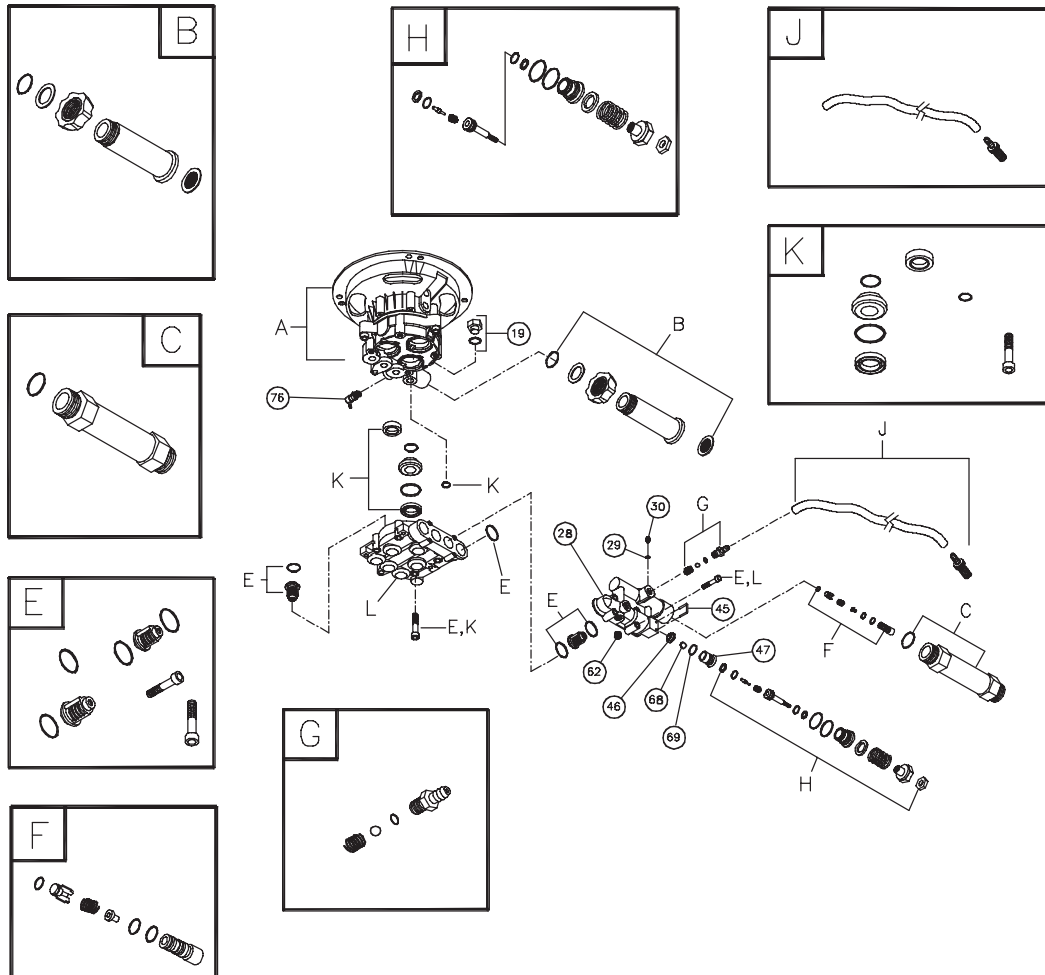
### Optional Accessories Not Illustrated

Part #	Description
100031	STABILIZER, Fuel
100516GS	KIT, O-Ring
6039	PUMP SAVER

Copyright © 2006 Briggs & Stratton Power Products Group, LLC. All rights reserved. No part of this material may be reproduced or transmitted in any form by any means without the express written permission of Briggs & Stratton Power Products Group, LLC.



## EXPLODED VIEW AND PARTS LIST - PUMP



Item	Part #	Description
19	190571GS	CAP, Oil
28	190627GS	MANIFOLD
29	190575GS	O-RING, 4 X 2
30	190576GS	SCREW
45	190578GS	PIN
46	190629GS	VALVE, Seat Plate, Plastic
47	190630GS	VALVE, Seat, Plastic
62	190581GS	CAP, 1/8
68	190582GS	BALL, 7mm SS
69	190584GS	O-RING, 9.25 x 1.78
76	194298GS	THERMAL RELIEF
A	NSP	ASSY, CASE, PISTON
B	190632GS	KIT, WATER INLET, ALUM
C	190634GS	KIT, OUTLET, ALUM
E	193806GS	KIT, CHECK VALVES

Item	Part #	Description
F	190592GS	KIT, INLET CHECK
G	190593GS	KIT, CHEMICAL INJECTION
H	190628GS	KIT, UNLOADER STEM
J	189971GS	KIT, CHEMICAL HOSE
K	197309GS	KIT, SEAL SET
L	NSP	KIT, HEAD ALUM

**Parts Not Illustrated**

190586GS	OIL BOTTLE
B2384GS	FILTER, Inlet
186452GS	FILTER, Bag of 10

**NOTE:** Item letters B - K are service kits and include all parts shown within the box.