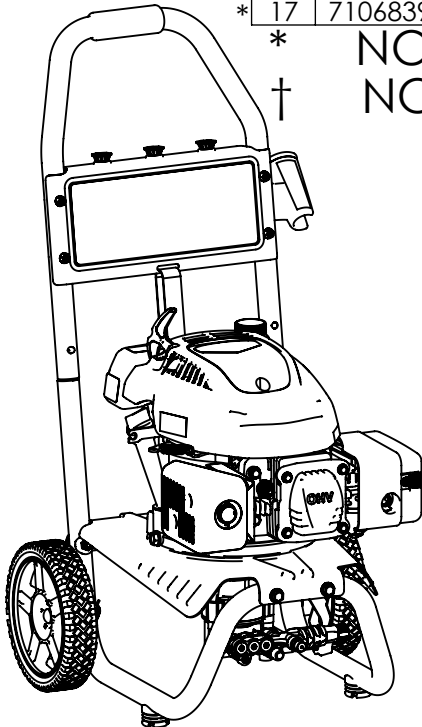


ITEM	PART NO.	DESCRIPTION	QTY
1	7107026	FRAME SVC KIT, BASE ASSEMBLY DCV2420	1
1.1	7106756	PLATE, BASE FRAME 14 GA RAW	1
1.2	7106758	TUBE, BASE FRAME Ø1.125"OD 11.75" C-C 18GA TUBE (BLUE)	1
† 1.3		BOLT, FLANGE 5/16"-18 x 1 3/4" HHFB	4
† 1.4		WASHER, FENDER	2
† 1.5		WASHER, CUPPING 0.400" ID X 1.00" OD	4
† 1.6		NUT, 5/16"-18 NYLOCK	4
2	7107027	SERVICE KIT, HANDLE W/ LABELS	1
2.1	7106759	TUBE, HANDLE Ø1 1/8" O.D. BLUE	1
2.2	7106842	GRIP, FOAM HANDLE	1
2.3	7107891	DASHBOARD W/LABEL, DCV2420	1
2.4	7106833	HOLDER, NOZZLE SINGLE	3
2.5	7105850	GUN HANGER, 43° LEFT SIDE (VERTICAL)	1
2.6	7106830	STRAP, HOSE 18" X 1"	1
† 2.7		BOLT, 1/4"-20 x 1 3/4" SERRATED HHFB	2
† 2.8		BOLT, FLANGE 1/4"-20 X 1-1/2"	2
† 2.9		NUT, 1/4"-20 NYLOCK	4
3	7107028	ENGINE SERVICE ASSEMBLY	1
4	7102039	KEY, SHAFT 3/16 SQ.	1
5	7107032	PUMP SERVICE ASSEMBLY	1
5.1	510001	AAA PUMP, VERTICAL 2400PSI @ 2.0GPM W/ POWER BOOST	1
† 5.2		BOLT, FLANGE 5/16"-18 x 2" SERRATED	3
† 5.3		NUT, WHIZ 5/16"-18	3
† 5.4		CAP, UNLOADER COVER 1 1/2" x 5/8" BLACK	1
6	7107029	WHEEL KIT, PLASTIC 8" x 2"	1
† 6.1		WHEEL, PLASTIC 8" x 2" x 1/2"	2
† 6.2		AXLE, PIN 1/2" x 3" ZINC PLATED	2
† 6.3		WASHER, CUPPING AXLE 0.520" ID x 1" OD	4
† 6.4		CLIP, LOCKING PIN	2
7	7107030	KIT, FOOT SERVICE	1
† 7.1		FOOT, RUBBER 1.38" OD x 1.09"-5/16" INSERT	2
† 7.2		SCREW, TORX PANHEAD 1/4"-20 x 3/4"	2
8	7103776	ENGINE MOUNT HARDWARE KIT (PROD)	1
† 8.1		BOLT, FLANGE 5/16"-18	3
† 8.2		NUT, WHIZ 5/16"-18	3
9	7102122	BUTTON, SNAP	2
10	7106845	NOZZLE, #2.8 3PC SET	1
11	7104847	GUN,3000PSI M22(M) INLET X M22(F) OUTLET	1
12	7103550	LANCE, 16" W/ 1/4" QC-F x M22(M)	1
13	7106419	HOSE, MORFLEX 1/4" x 25' x 3100PSI M22(M) x M22(F)	1
14	7102207	SOAP HOSE AND FILTER KIT	1
* 15	7102045	TOOL, NOZZLE CLEANING, UNIVERSAL	1
* 16	7106967	MANUAL, DCV2420 MODEL SPECIFIC OPERATOR'S	1
* 17	7106839	CARTON, 19.67"L x 15.92"W x 22.67"H	1

\* NOT SHOWN  
† NOT SOLD SEPERATELY



PUMP INFORMATION TABLE			
MACHINE SERIAL NO.	PUMP TYPE	PUMP PART NO.	PUMP KIT NO.
673663 TO PRESENT	2400PSI @ 2.0GPM	510001	7107032

**ONLY THE LATEST VERSION OF THE PUMP IS AVAILABLE FOR REPLACEMENT**

DRAWN			CHECKED			ENG APPR.			MFG APPR.			Q.A. APPR.			SERVICE APPR.		
NAME	DATE		NAME	DATE		NAME	DATE		NAME	DATE		NAME	DATE		NAME	DATE	
TV	4/25/2014		M.G.	5/13/2014		K.C.R.	5/13/2014		-	-		J.C.	5/13/2014		D.H.	5/15/2014	

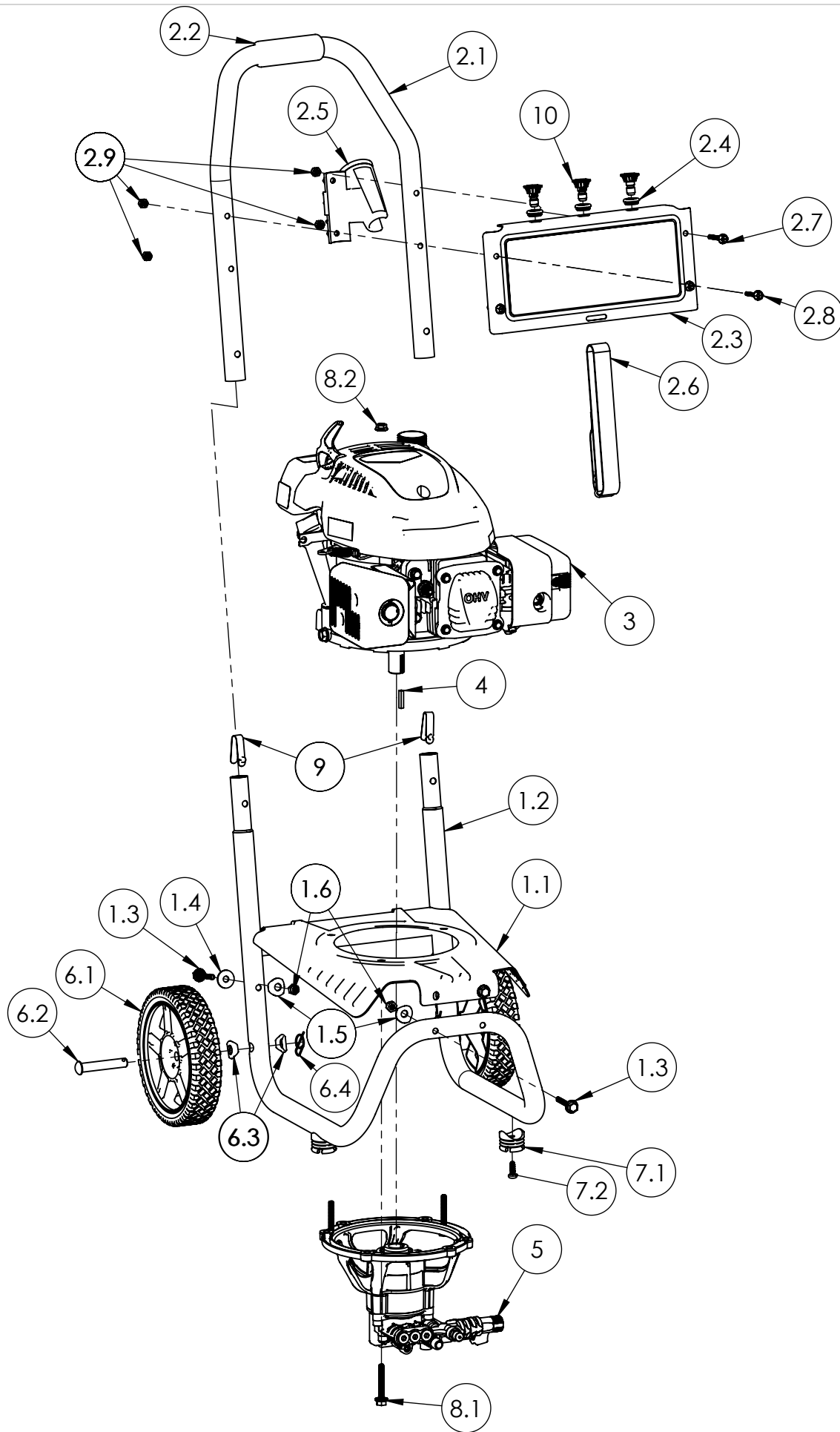
**FNA-GROUP**  
1265 INDUSTRIAL STREET, DECATUR, AR 72722

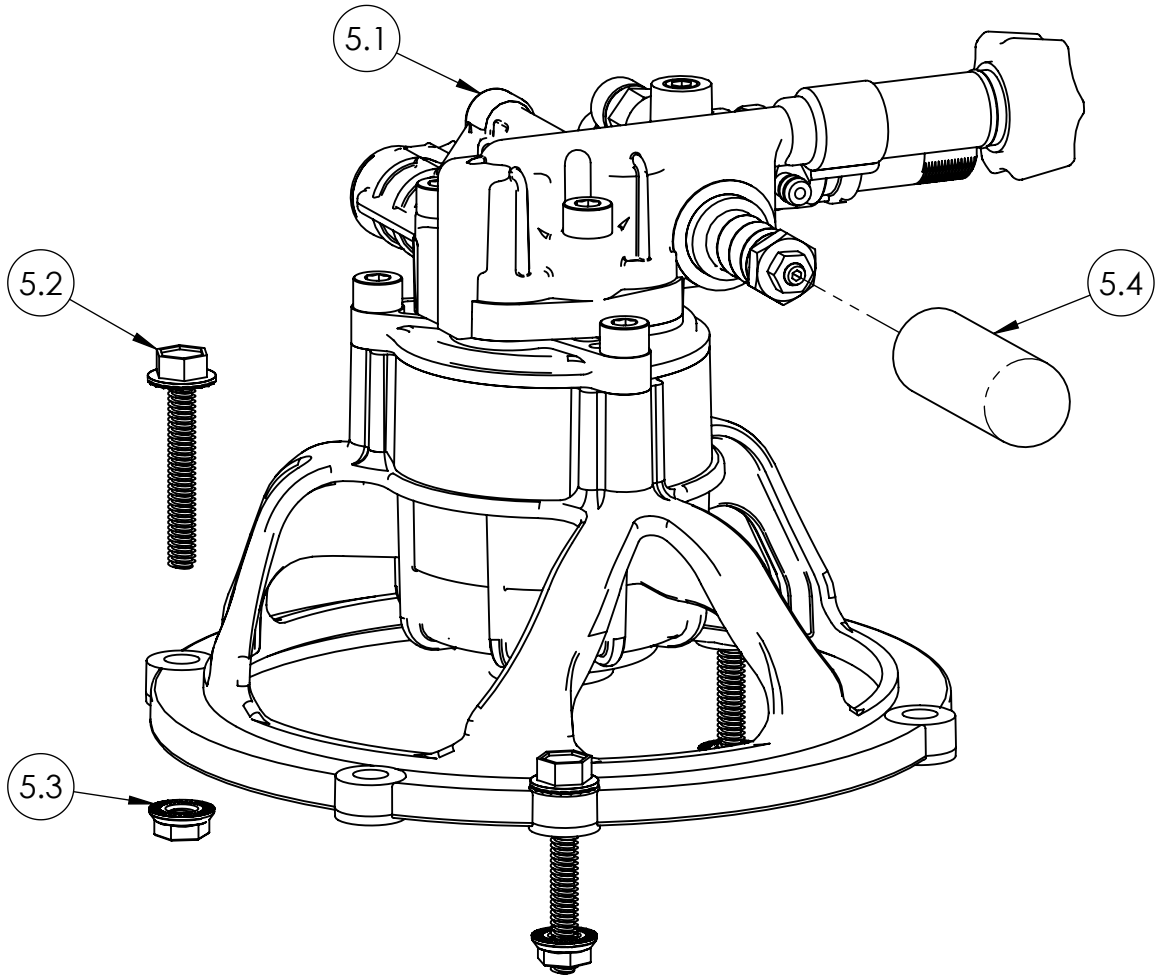
**TITLE:**  
DCV2420 2400 PSI @ 2.0 GPM

**PROPRIETARY AND CONFIDENTIAL**  
THE INFORMATION CONTAINED IN THIS DRAWING IS THE SOLE PROPERTY OF FNA-GROUP. ANY REPRODUCTION IN PART OR AS A WHOLE WITHOUT THE WRITTEN PERMISSION OF FNA-GROUP IS PROHIBITED.

SIZE	DWG. NO.	REV.
<b>A</b>	<b>60684-S</b>	<b>B</b>

SCALE: N/A    ECN# DC14-0109    SHEET 1 OF 10

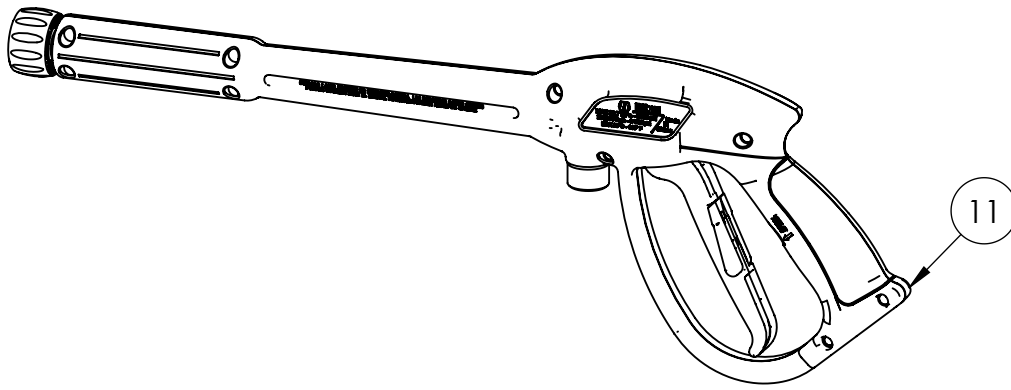




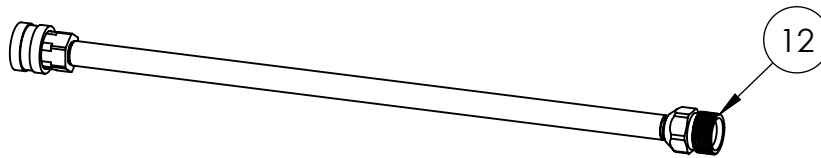
PUMP, SVC ASSY DCV2420  
PART NO. 7107032

ITEM	PART NO.	DESCRIPTION	QTY
5.1	510001	AAA PUMP, VERTICAL 2400PSI @ 2.0GPM W/ POWER BOOST	1
5.2		BOLT, FLANGE 5/16"-18 x 2" SERRATED	3
5.3		NUT, WHIZ 5/16"-18	3
5.4		CAP, UNLOADER COVER 1 1/2" x 5/8" BLACK	1
* 4	7102039	KEY, 3/16" x 3/16" x 1" SHAFT	1

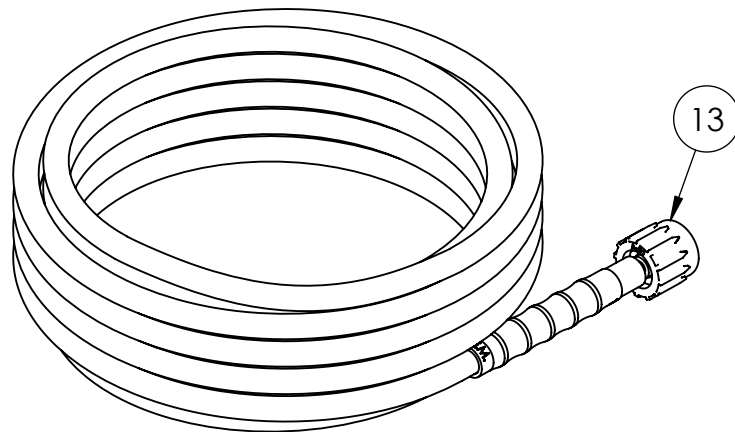
\* NOT SHOWN



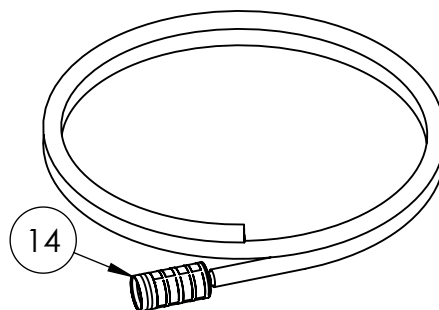
TRIGGER SPRAY GUN 3000PSI M22(M) x M22(F)  
PART NO. 7104847



LANCE, 16" W/ 1/4" QC-F x M22(M)  
PART NO. 7103550

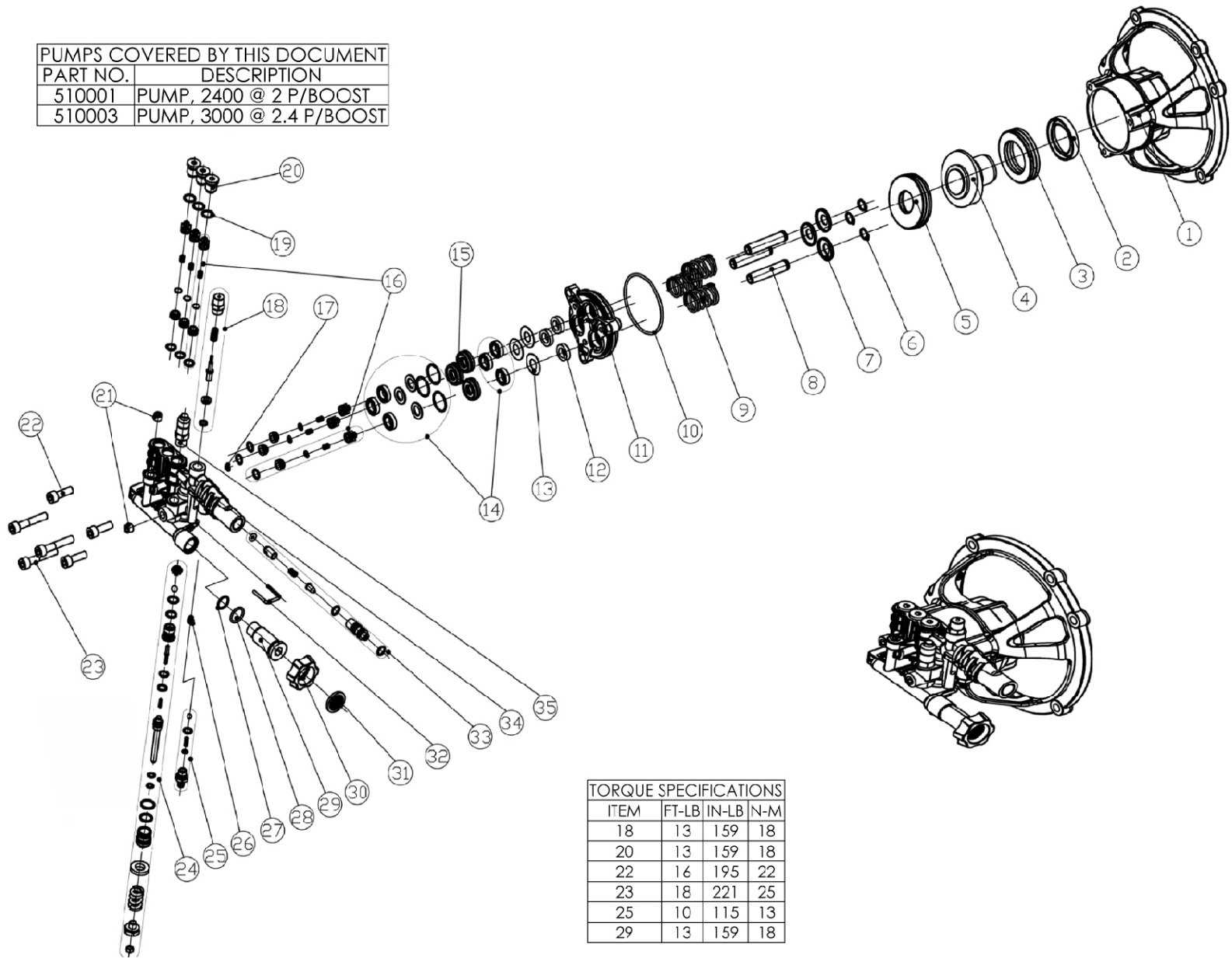


HOSE, 1/4" x 25' x 3100PSI M22(M) x M22(F) MORFLEX  
PART NO. 7106419



KIT, SOAP HOSE & FILTER  
PART NO. 7102207

PUMPS COVERED BY THIS DOCUMENT	
PART NO.	DESCRIPTION
510001	PUMP, 2400 @ 2 P/BOOST
510003	PUMP, 3000 @ 2.4 P/BOOST

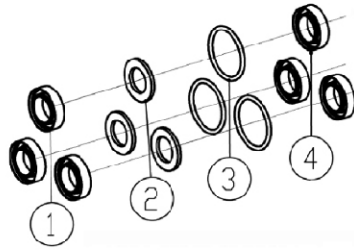


TORQUE SPECIFICATIONS			
ITEM	FT-LB	IN-LB	N-M
18	13	159	18
20	13	159	18
22	16	195	22
23	18	221	25
25	10	115	13
29	13	159	18



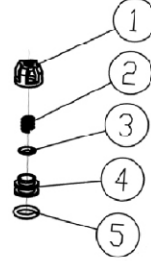
12 PART NO. 7106662

OIL SEAL KIT		
ITEM	QTY	DESCRIPTION
1	3	SEAL, OIL



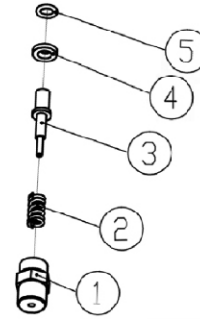
14 PART NO. 7106664

WATER SEAL KIT		
ITEM	QTY	DESCRIPTION
1	3	HIGH PRESSURE SEAL
2	3	BACK RING
3	3	O-RING
4	3	LOW PRESSURE SEAL



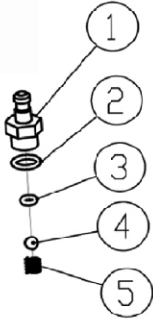
16 PART NO. 7104223

VALVE KIT		
ITEM	QTY	DESCRIPTION
1	6	VALVE CASE
2	6	SPRING
3	6	VALVE PLATE
4	6	VALVE SEAT
5	6	O-RING



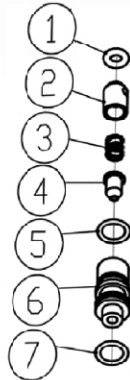
18 PART NO. 7106628

BOOST VALVE KIT		
ITEM	QTY	DESCRIPTION
1	1	VALVE CASE
2	1	VALVE SPRING
3	1	VALVE POLE
4	1	VALVE PLATE
5	1	O-RING



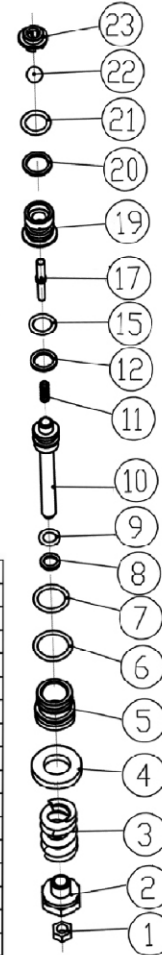
25 PART NO. 7104228

SOAP INJECTOR KIT		
ITEM	QTY	DESCRIPTION
1	1	HOSE BARB
2	1	O-RING
3	1	O-RING
4	1	STEEL BALL
5	1	SPRING



33 PART NO. 7106630

VENTURI TUBE KIT		
ITEM	QTY	DESCRIPTION
1	1	O-RING
2	1	CHECK VALVE CORE
3	1	CHECK VALVE SPRING
4	1	NOZZLE
5	1	O-RING
6	1	VENTURI TUBE
7	1	O-RING



24 PART NO. 7104226

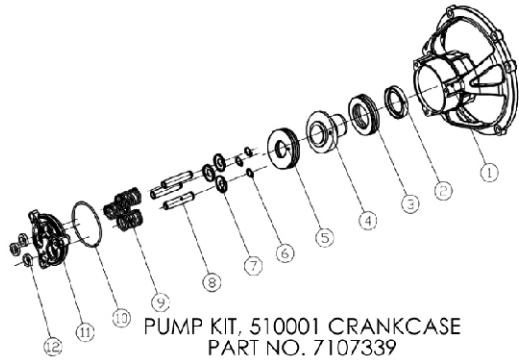
UNLOADER KIT		
ITEM	QTY	DESCRIPTION
1	1	NUT
2	1	ADJUSTING NUT
3	1	SPRING
4	1	SEATING RING
5	1	VALVE SHEATH
6	1	O-RING
7	1	O-RING
8	1	CHECKING RING
9	1	O-RING
10	1	VALVE POLE
11	1	SPRING
12	1	CHECKING RING
15	1	O-RING
17	1	PIN
19	1	UPPER SEAT
20	1	CHECKING RING
21	1	O-RING
22	1	STEEL BALL
23	1	BACK SEAT

### 510001 PUMP DRAWING PARTS LIST

ITEM	MA S500	PARTS NAME	QTY PER PUMP	COMMENT
1	7106631	Case	1	
2	7106632	Oil Seal	1	
3	7106633	Thrusting Bearing 2	1	
4	7106634	Wobble Plate	1	
5	7106635	Thrusting Bearing 1	1	
6	7106629	Clip	3	
7	7106657	Spring Base	3	
8	7106658	Plunger	3	
9	7106639	Spring, Plunger	3	
10	7106640	O-Ring, Plunger Base	1	
11	7106661	Base, Plunger	1	
12	7106662	Oil Seal	3	Oil Seal Kit
13	7106663	Back ring	3	
14	7106664	High Pressure Water Seal	3	Water Seal Kit
		Back Ring		
		O-Ring		
		Low Pressure Water Seal		
15	7106665	Back Ring	3	
16	7104223	Valve Case	6	Valve Kit (INLET AND OUTLET)
		Spring		
		Valve Plate		
		Valve Seat		
17	7106644	O-Ring	1	
18	7106623	Boost Valve Case	1	Boost Valve Kit
		Boost Valve Spring		
		Boost Valve Pole		
		Boost Valve Plate		
		O-Ring		
19	7106645	O-Ring	3	
20	7106646	Plug	3	
21	7106647	Plug	2	
22	7106643	Screw	3	
23	7106649	Screw	3	

### 510001 PUMP DRAWING PARTS LIST

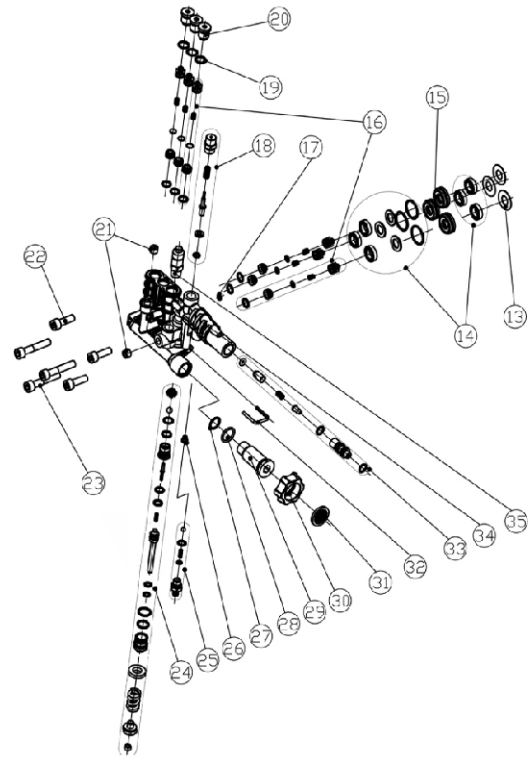
ITEM	MA S500	PARTS NAME	QTY PER PUMP	COMMENT
24	7104226	Nut	1	Unloader Kit
		Adjusting Nut		
		Spring		
		Seating Ring		
		Valve Sheath		
		O-Ring		
		O-Ring		
		Checking Ring		
		O-Ring		
		Valve Pole		
		Spring		
		Checking Ring		
		O-Ring		
		Pin		
		Upper Seat		
		Checking Ring		
		25		
O-Ring				
O-Ring				
Steel Ball				
Spring				
26	7106550	Venturi Tube Back Ring	1	
27	7106551	O-Ring	1	
28	7106552	O-Ring	1	
29	7106553	Inlet Connector	1	
30	7106554	Nut	1	
31	7000123	Filter Gasket	1	
32	7106555	U-Pin	1	
33	7106530	O-Ring	1	Venturi Tube Kit
		Checking Valve Core		
		Checking Valve Spring		
		Nozzle		
		O-Ring		
34	7106556	Pump Head	1	
35	7101359	Thermal Relief Valve	1	



PUMP KIT, 510001 CRANKCASE  
PART NO. 7107339

**510001 PUMP DRAWING PARTS LIST**

ITEM	IMS500	PARTS NAME	QTY PER PUMP	COMMENT
1	*-00531	Case	1	
2	*-00532	Oil Seal	1	
3	*-00533	Thrusting Bearing 2	1	
4	*-00534	Washer Plate	1	
5	*-00535	Thrusting Bearing 1	1	
6	*-00536	Oil	3	
7	*-00537	Spring Base	3	
8	*-00538	Plunger	3	
9	*-00539	Spring, Plunger	3	
10	*-00540	O Ring, Plunger Base	1	
11	*-00541	Base, Plunger	1	
12	*-00532	Oil Seal	3	Oil Seal Kit



PUMP KIT, 510001 MANIFOLD  
PART NO. 7107340

**510001 PUMP DRAWING PARTS LIST**

ITEM	IMS500	PARTS NAME	QTY PER PUMP	COMMENT
13	710603	Back Ring	1	
14	710602	High Pressure Valve Seat	1	Water Seal Kit
		Back Ring	1	
		O Ring	1	
15	710603	Low Pressure Valve Seat	1	
		Back Ring	1	
16	710221	Valve Case	1	Valve Kit (INLET AND OUTLET)
		Spring	1	
		Valve Plate	1	
		Valve Seat	1	
17	710611	O Ring	1	
		Boost Valve Case	1	
		Boost Valve Ball	1	
		Boost Valve Plate	1	
18	710623	O Ring	1	Boost Valve Kit
		Boost Valve Case	1	
		Boost Valve Ball	1	
		Boost Valve Plate	1	
19	710663	O Ring	2	
20	710665	Pin	2	
21	710617	Pin	2	
22	710661	Stator	2	
23	710643	Stator	2	
24	710225	Ball	1	Unloader Kit
		Adjusting Nut	1	
		Spring	1	
		Sealing Ring	1	
		Valve Sleeve	1	
		O Ring	1	
		O Ring	1	
		Checking Ring	1	
		O Ring	1	
		Valve Plate	1	
		Spring	1	
		Checking Ring	1	
		O Ring	1	
		Pin	1	
Upper Seat	1			
Checking Ring	1			
O Ring	1			
O Ring	1			
Stator Ball	1			
Back Seat	1			
25	710221	Nozzle	1	Scrap Injector Kit
		O Ring	1	
		Stator Ball	1	
26	710603	Venturi Tube Stack Ring	1	
27	710601	O Ring	1	
28	710602	O Ring	1	
29	710603	Inlet Connector	1	
30	710624	Ball	1	
31	700171	Filter Bracket	1	
32	710602	O Ring	1	
33	710603	O Ring	1	Venturi Tube Kit
		Checking Valve Core	1	
		Checking Valve Spring	1	
		Nozzle	1	
34	710603	Pump Head	1	
35	710225	Thermal Relief Valve	1	