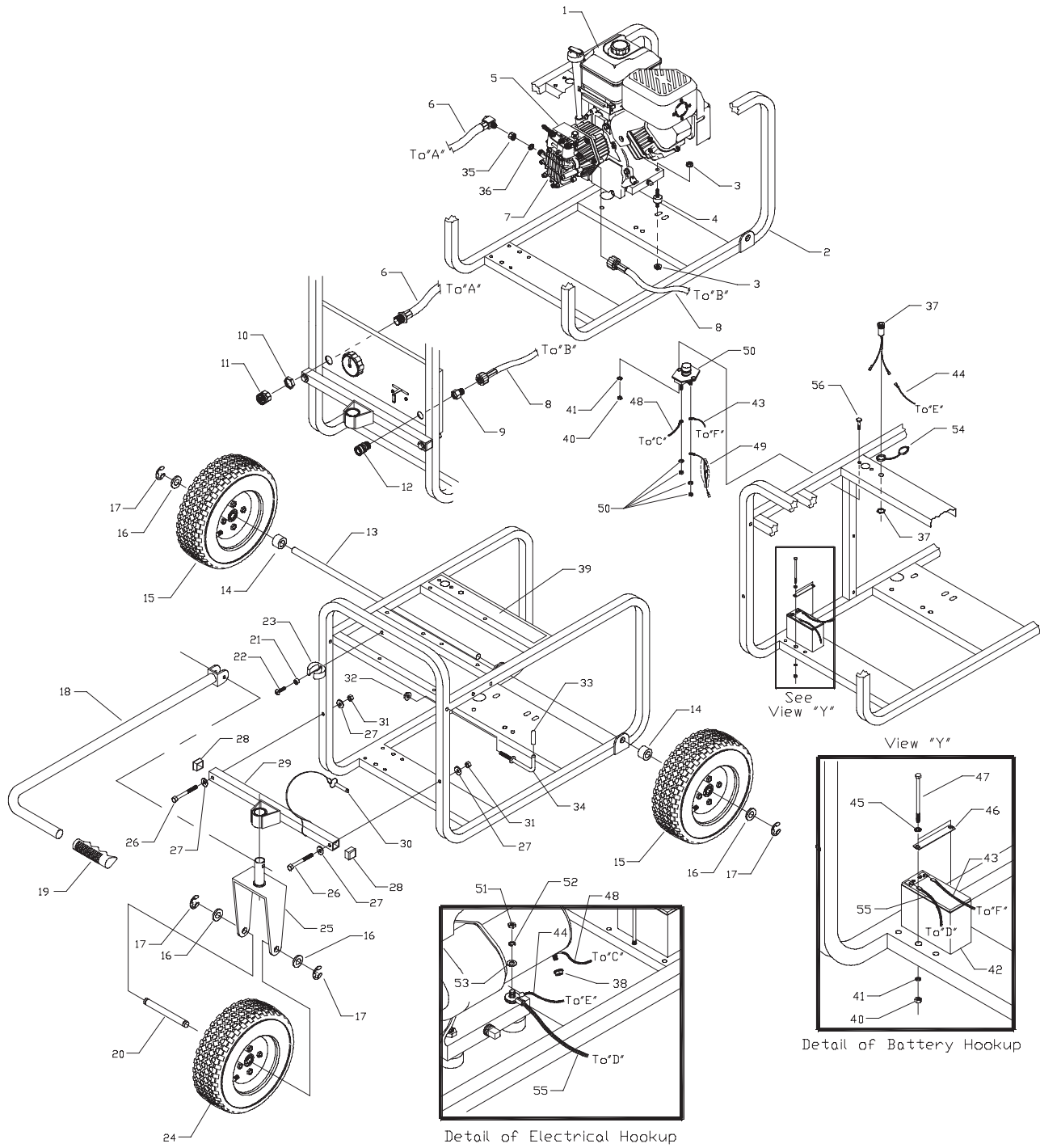


# DR<sup>®</sup> POWER WASHER

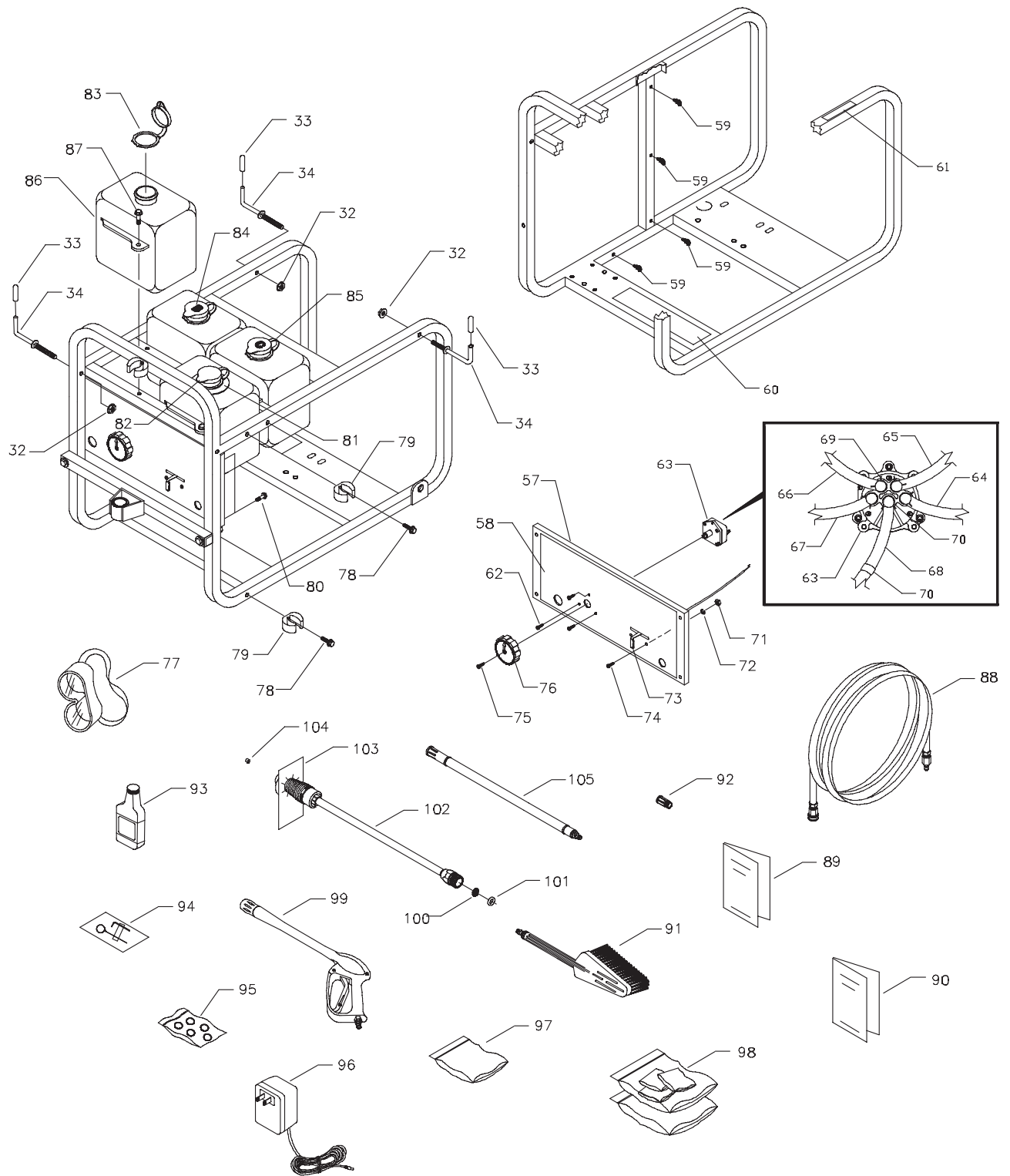
## ILLUSTRATED PARTS LIST



# 2500 PSI Unit (Model 01580) - Frame Exploded View



# 2500 PSI Unit (Model 01580) - Parts Exploded View

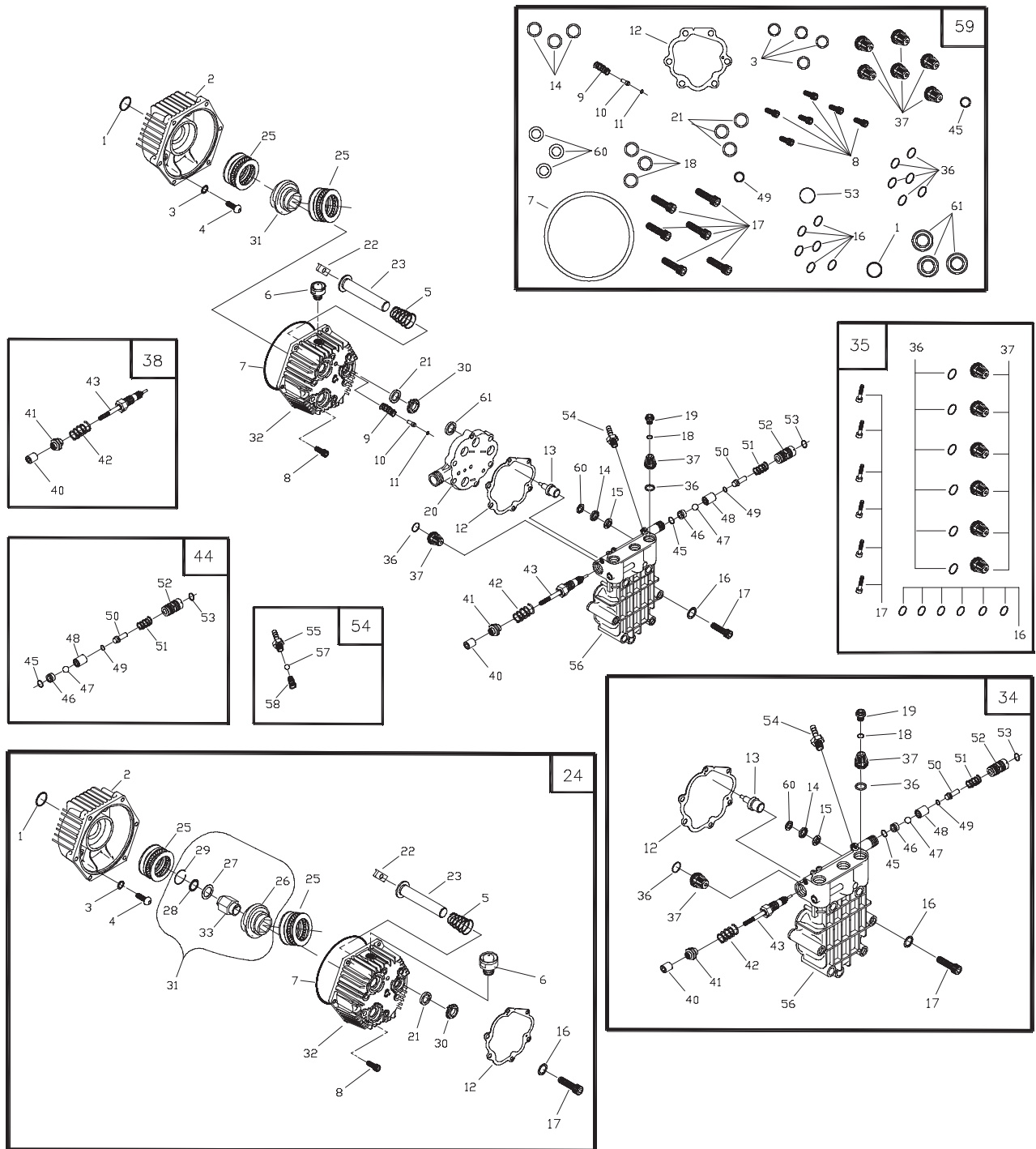


## 2500 PSI Unit (Model 01580) - Parts List

Item	Part #	Description	Item	Part #	Qty
1	NSP	ENGINE, Briggs, 6.5 H.P.	56	*	HHCS, 1/4" - 20 x 3/4"
2	A188346	CRADLE, Powder Coat Red	32	*	NUT, 5/16"-18
3	*	NUT, M8 Flange	33	B2516GS	CAP, Vinyl
4	21217GS	MOUNT, Vibration	34	B2759BGS	HOOK, 5/16-18
5	B1288GS	TAG, Breather Cap	57	A188361GS	PANEL, Control Powder Red
6	188635GS	HOSE, Water Inlet	58	188454GS	DECAL, Control Panel
7	188547GS	PUMP, Med, 3/4, 7.5 HS	59	188818GS	CLIP, Release, Plastic
8	188654GS	HOSE, Water Outlet	60	187915GS	DECAL, Warning/Danger
9	188441GS	ASSEMBLY, Adapter	61	77816GS	DECAL, Caution Hot Muffler
10	B3735GS	NUT, Water Inlet	62	B3377GS	SCREW, Plastite #8 x .75"
11	21424GS	CONNECTOR, Garden Hose	63	B3306GS	ASSY., Sub 4-Way Valve
12	95518GS	QUICK CONNECT	64	188402AGS	HOSE, Chemical "A" - 3-1/2"
13	93963AGS	AXLE, 15.88 x 681	65	188402BGS	HOSE, Chemical "B" - 12"
14	89635GS	SPACER, Wheel	66	188402CGS	HOSE, Chemical "C" - 16"
15	89742GS	WHEEL, 3.5 x 12	67	188402DGS	HOSE, Chemical "Water" 11"
16	*	WASHER, Flat, 5/8"	68	B3601EGS	HOSE, Chemical Pump 16"
17	87005GS	PIN, Quick Release	69	48031GGS	CLAMP, Hose 13/32"
18	AB4122GS	HANDLE	70	48031CGS	CLAMP, Hose Band 1/2"
19	B4134GS	GRIP	71	*	NUT, Hex M5 - 0.8
20	93693EGS	AXLE, 15.88 x 150	72	*	LOCK WASHER, M5
21	186569GS	BUMPER, Recess	73	B3608EGS	LINK, Throttle Control
22	*	SCREW, #10 - 16 x 3/4"	74	*	PPHMS, M5 - 0.8 x 12
23	B2427BGS	CLIP, Spring	75	B3311GS	SCREW, Plastite #10 x .62"
24	B4905GS	WHEEL, 4.0 x 12	76	B3721GS	HANDLE, 4-Way Valve
25	AB3375GS	WELDMENT, Fork Pivot	77	87815GS	GOGGLES, Safety
26	*	HHCS, M8 - 1.25 x 70	78	*	SCREW, #10 - 16 x 3/4"
27	96796GS	WASHER, 22.2 OD x 8.4 ID x 3 Thk	79	B2427BGS	CLIP, Spring
28	46476GS	PLUG, Plastic, 1 Sq. x 16 GA Tube	80	*	SCREW, 10 - 16 x 3/4"
29	AB4115GS	ASSY., Pivot	81	188414AGS	TAG, System Flush Water
30	B4135GS	PIN, Handle Release	82	B3222DGS	CAP, Chem Container "Water"
31	*	NUT, M8 - 1.25 Lock	83	B3222AGS	CAP, Chem Container "A"
32	*	NUT, 5/16" - 18"	84	B3222BGS	CAP, Chem Container "B"
33	B2516GS	CAP, Vinyl	85	B3222CGS	CAP, Chem Container "C"
34	B2759BGS	HOOK, 5/16" - 18"	86	B3599GS	ASSY., Chemical Tank 1 Gal.
35	188651GS	ADAPTER, M20 - 1.5	87	*	BOLT, 1/4" - 20 with Washer
36	*	WASHER	88	187625GS	HOSE, 5/16" x 50'
37	186166GS	ASSEMBLY, Coaxial Jack	89	B3297GS	MANUAL, Engine
38	*	LOCKNUT, 1/4" - 20, Flange	90	188344GS	MANUAL, Owners
39	188358GS	DECAL, Start Instructions	91	88185GS	BRUSH, Utility
40	*	NUT, 1/4" - 20	92	88935GS	ADAPTER, Brush Extension
41	*	LOCKWASHER, 1/4"	93	BB3061BGS	OIL BOTTLE
42	185604GS	BATTERY	94	188287GS	KIT, Cleaning Nozzle
43	185931EGS	WIRE, Red, #13	95	B5830GS	KIT, Maintenance
44	185973BGS	WIRE, Black, #0	96	B4177GS	CHARGER, Battery
45	*	WASHER, 1/4"	97	188420GS	KIT, Chemical Tags
46	A187081GS	BRACKET, Battery	98	188421GS	KIT, 3-Pack, Concentrate
47	*	HHCS, 1/4" - 20 x 4-1/2"	99	B3263AGS	GUN, 3200 PSI
48	185939EGS	WIRE, Red, #16	100	B4224GS	SCREEN, Gun Inlet
49	186748GS	ASSEMBLY, Diode	101	97837GS	O-RING, Gun Extension
50	77282GS	SWITCH, Starter	102	B3335CGS	WAND, Hi - Lo Nozzle
51	*	NUT, Hex M8 - 1.25	103	97566GS	TAG, Nozzle Instructions
52	*	LOCKWASHER, M8	104	92661GS	NOZZLE, Replacement
53	*	WASHER, Flat M8	105	88934GS	EXTENSION
54	186133GS	COVER, DC Jack			
55	185931FGS	WIRE, Black, #55			

\* = Obtain from local hardware source

# 2500 PSI Pump (Model I580-0) - Exploded View



Item numbers 24, 34, 35, 38, 44, 54, and 59 are service kits and include all parts shown within the box.

## 2500 PSI Pump (Model I580-0) - Parts List

---

Item	Part No.	Description
1	B2218GS	O-RING, Engine Adapter
2	B2260GS	ADAPTER, Housing, Cam
3	B2217GS	O-RING, Engine Adapter Bolt
4	B2261BGS	SCREW
5	96400GS	SPRING, Piston Return
6	99735GS	ASSY, Oil Breather
7	93790GS	O-RING, Crankcase
8	40945GS	SCREW
9	93652GS	SPRING, Thermal By-Pass
10	95416GS	PISTON, Thermal By-Pass
11	93876GS	O-RING, Thermal By-Pass
12	A2069GS	GASKET, Head
13	93644GS	ACTUATOR, Thermal By-Pass
14	96053GS	SEAL, High Pressure
15	96015GS	RING, Bearing
16	B2665GS	WASHER, Steel Special
17	A2013GS	BOLT
18	97840GS	O-RING, Cap
19	97841GS	CAP, Outlet Port
20	A1320GS	SPACER PLATE, Inlet
21	93680GS	SEAL, Oil Piston
22	94944GS	SHOE, Piston Pivot
23	99427GS	ASSY, Ceramic Piston & Cap
24	185700GS	KIT, Crankcase
34	188869GS	KIT, Complete Head
35	185933GS	KIT, Check Valve
38	B4179GS	KIT, Unloader Spindle
44	B3510GS	KIT, High Pressure Outlet
54	185943GS	KIT, Chemical Injector
59	185926GS	KIT, O-Ring Seals