



OPERATOR'S MANUAL

ELECTRIC PRESSURE WASHER

This product is covered by U.S. patents and other international patents

Copyright. All Rights Reserved.

Model PW01650



FEATURES

- | | |
|------------------------------------------|---------------------------------------|
| Max. Pressure 1650 PSI | - Auto stop function |
| Rated Pressure 1050 PSI | - UL plug with GFCI |
| Inlet Pressure Range . . 40 PSI – 70 PSI | - 1.6 GPM |
| Max. Water Temperature 90° F | - 35 ft. Electric Cord Length |
| Supply Power 110-120 V/60 Hz | - Plastic Spray Gun |
| Rated Amperage 13 Amp | - Soap Bottle Optional (not included) |
| Weight 18 lbs. | |
| Hose Length 20 ft. | |

Maximum Pressure Ratings determined in accordance with PWMA. Standard PW101

Your pressure washer has been engineered and manufactured to our high standard for dependability, ease of operation, and operator safety. Properly cared for, it will give you years of rugged, trouble-free performance.

WARNING: To reduce the risk of injury, the user must read and understand the operator's manual before using this product.

Thank you for your purchase.

SAVE THIS MANUAL FOR FUTURE REFERENCE



IMPORTANT SAFETY WARNINGS



TO REDUCE RISK OF INJURY:

Before any use, be sure everyone using this product reads and understands all safety instructions and other information contained in this manual.

Save these instructions and review frequently prior to use and in instructing others.



CAUTION: Wear appropriate personal hearing protection during use. Under some conditions and duration of use, noise from this product may contribute to hearing loss.



WARNING: When using electric gardening appliances, basic safety precautions should always be followed to reduce risk of fire, electric shock, and/or personal injury.

READ ALL INSTRUCTIONS

GENERAL SAFETY

AVOID DANGEROUS ENVIRONMENTS – Don't use this product in rainy, stormy, damp or wet locations. Do not operate in gaseous or explosive atmospheres. Motors in these products normally spark, and the sparks might ignite fumes.

KEEP CHILDREN AWAY - All visitors, children and pets should stay at a safe distance from the work area.

DRESS PROPERLY – Don't wear loose clothing or jewelry and wear protective hair covering to contain long hair. They can be caught in moving parts. Use of rubber gloves and substantial footwear is recommended when working outdoors.

USE SAFETY GLASSES –Wear safety glasses with side shields or goggles that are marked to comply with ANSI Z87.1 standard when operating this product. Use face or dust mask if operation is dusty.

GROUND FAULT CIRCUIT INTERRUPTER (GFCI) protection should be provided on the circuit (s) or outlet (s) to be used for this product if you are using an extension cord. The product's cord has a built in GFCI. Receptacles are available having built-in GFCI protection and may be used.

USE RIGHT APPLIANCE – Do not use this product for any job except that for which it is intended.

EXTENSION CORD. Make sure your extension cord is in good condition. Use only extension cords having an electrical rating not less than the rating of this product. An undersized extension cord will cause a drop in line voltage resulting in loss of power and overheating. Use only 3-wire extension cords that have 3-prong grounding type plugs and 3-pole cord connectors that accept the plug from this product.

Cable Length	Wire Gauge
Up to 25 ft.	12 AWG

It is possible to tie the extension cord and power cord in a knot to prevent them from becoming disconnected during use. Make the knot as shown, then connect the plug end of the power cord into the receptacle end of the extension cord. This method can also be used to tie two extension cords together.



WARNING: Use outdoor extension cords marked SW-A, SOW-A, STW-A, STOW-A, SJW-A, SJTW-A, or SJTOWA. These cords are rated for outdoor use and reduce the risk of electric shock.

DISCONNECT UNIT from the power supply when not in use or when servicing or cleaning. Do not leave unattended.

Outlets with a third prong ground are required. Do not use without grounded prong.

To avoid the risk of electric shock, the water spray must never be directed towards any electrical outlets or wiring or directly towards the pressure washer equipment itself.

Know how to stop the equipment and bleed pressures quickly. Be thoroughly familiar with the controls.

Never tie knots or kink the high pressure hose as damage could result.



CAUTION: Use clean water and neutral detergent only. Do not use acids or solvents as they may cause injuries to the operator and irreversible damage to the equipment.



GROUNDING: This product must be grounded. If it should malfunction or breaks down, grounding provides a path of least resistance for electric current to reduce the risk of electric shock. This product is equipped with a cord having an equipment-grounding conductor and a grounding plug. The plug must be plugged into an appropriate outlet that is properly installed and grounded in accordance with all local codes and ordinances.

To allow free air circulation, the pressure washer should NOT be covered during operation.

DON'T ABUSE CORD – Never carry this product by the cord or yank the cord to disconnect from the receptacle. Keep cord from heat, oil, and sharp edges.

AVOID UNINTENTIONAL STARTING – Don't carry the pressure washer plugged in with your finger on the switch. Be sure the switch is off when plugging in.



DANGER: Keep hands away from nozzle or water spray. Always use both hands when operating pressure washer to maintain complete control of the wand.

Never direct the water spray directly toward yourself or others in order to clean clothes, foot-wear or for any other reason.

STAY ALERT – Watch what you are doing. Use common sense. Do not operate the pressure washer when you are tired or under the influence of drugs or medication.

STORE IDLE UNIT INDOORS – When not in use, the product should be stored indoors in a dry and high or locked-up place, out of children's reach.

MAINTAIN UNIT WITH CARE – Keep clean for best performance and to reduce the risk of injury. Inspect extension cord periodically and replace if damaged. Keep handles dry, clean and free from oil and grease.

CHECK FOR DAMAGED PARTS – Before further use of the product, any part that is damaged should be carefully checked to determine that it will operate properly and perform its intended function. Check for alignment of moving parts, binding of moving parts, breakage of parts, mounting and any other condition that may affect its operation. Any part that is damaged should be properly repaired or replaced by an authorized service center unless otherwise indicated elsewhere in this manual.

LIGHTING - Only operate your pressure washer in daylight or good artificial light.

DON'T OVERREACH – Keep proper footing and balance at all times.



POLARIZED PLUGS – To reduce the risk of electric shock, this product has a polarized plug (one blade is wider than the other). This product must be used with a suitable polarized 3-wire extension cord. Polarized connections will fit together only one way. Make sure that the receptacle end of the extension cord has large and small blade slot widths. If the plug does not fit fully into the extension cord, reverse the plug. If it still does not fit, obtain a suitable extension cord. If the extension cord does not fit fully into the outlet, contact a qualified electrician to install the proper outlet. Do not change the tool plug or extension cord in any way.

The pressure washer must be in an upright position when in use. Do not touch the plug or outlet with wet hands.

Disconnect from the electrical supply prior to detaching the high pressure hose.

Do not operate or store this product in temperatures below freezing. Freeze damage is not covered by the warranty.

OPERATING

This pressure washer is equipped with a stop device which will sense when the trigger of the gun is released causing the pressure washer to stop.



WARNING: If the pressure washer fails to stop when the trigger of the gun is released, **DO NOT USE THE PRESSURE WASHER.** Contact the nearest repair center for service.

This pressure washer is also equipped with a thermal safety switch that will automatically shut off the motor in the event the motor overheats. Should that occur, the switch will reset itself and you can resume normal operation after the motor has cooled down.



WARNING: To reduce the risk of electrocution, keep all connections dry and off the ground. Do not touch plug with wet hands.



WARNING: Test GFCI before each use. **DO NOT** use pressure washer if following test fails.

GFCI Test Procedures:

- Plug GFCI into power receptacle. Indicator light should be illuminated.
- Press Test button. Light should turn off.
- Press Reset button for use. Indicator light should be illuminated.

DO NOT USE if above test fails and contact the nearest repair center for a replacement.

NOTE: The GFCI must be reset each time the pressure washer is connected to an electrical outlet. Reset by simply pushing the reset button on the GFCI power plug.

WINTERIZING AND LONG-TERM STORAGE

- Disconnect all water connections.
- Turn on the machine for a few seconds to expel any water remaining in the pump and turn off immediately.
- Do not allow the high pressure hose to become kinked.
- Store the equipment and accessories in an area where they will not freeze.

Do not store near a furnace or other source of heat as it may dry out the pump seals.

If an extension cord is used, the plug and socket must remain away from all water and moisture.

The narrow pinpoint stream is very powerful. It is not recommended for use on painted surfaces, wood surfaces or items attached with an adhesive backing.

The optimum angle for spraying water against a cleaning surface is 45 degrees.

To minimize the amount of water getting into the pressure washer, the unit should be placed as far as possible from the cleaning site during operation.

1. Place the unit in the upright position.
2. Check the inlet water filter for debris or sediment. Clean before each use.
3. Add detergent if desired.
4. Connect the high pressure hose to the high pressure outlet.
5. Connect the water gun to the high pressure hose. (Make sure the trigger of the gun is off.)
6. Connect the garden hose to the water inlet.
7. Connect the garden hose to the cold water source and turn the water completely on.
8. With ON/OFF switch in the OFF position, plug power cord into a grounded outlet.
9. Trigger the gun to discharge air trapped in the unit and wait until you have a steady flow of water.
10. Turn on the pressure washer. The motor only starts if the trigger of the gun is pulled and shuts off when the trigger is released. (If taking a break for longer than three (3) minutes, release the trigger and switch off the unit.)
11. When you are finished, switch off the unit and unplug the cord from the electrical outlet.
12. Turn off the water source.
13. Trigger the gun to release water pressure.
14. Disconnect the garden hose from the water inlet on the unit.

CLEANING TIPS

General Cleaning Tips and Recommendations

- Pre-rinse surfaces to be cleaned with fresh water.
- Always use low pressure to apply detergent.
- Never allow the detergent to dry on the surface.
If it appears that the detergent is drying before you are ready to rinse, simply wet down the area with fresh water.
- Before cleaning any surface an inconspicuous area should be cleaned to test spray pattern and distance for maximum cleaning results.
- If painted surfaces are peeling or chipping, use extreme caution as pressure washer may remove the loose paint from the surface.
- When cleaning surfaces which might come in contact with food, rinse surfaces with plenty of potable water.

Deck Cleaning

For best results, limit your work area to smaller sections of approximately 20-25 square feet. Rinse at high pressure in a long sweeping motion keeping the spray nozzle approximately 2-6 inches from the cleaning surface. Always clean from top to bottom and from left to right. When moving on to a new section of the cleaning surface, be sure to overlap the previous section to eliminate stop marks and ensure a more even cleaning result.

House Siding

For best results, limit your work area to sections of approximately 5-6 feet wide and always apply detergent from bottom to top. Rinse at high pressure from top to bottom in an even sweeping motion keeping the spray nozzle approximately 6 inches from the cleaning surface.

Cement Patios, Brick and Stone

For best results, limit your work area to smaller sections of approximately 20-25 square feet. If using detergent, allow the detergent to remain on the surface for 1-3 minutes. Rinse at high pressure in a sweeping motion keeping the spray nozzle approximately 2-6 inches from the cleaning surface. Always clean from top to bottom and from left to right.

Cars, Motorcycles & Boats

For best results, clean one side of vehicle at a time and always apply detergent from bottom to top. Do not allow detergent to dry on surface. If needed, use special wash brush attachment to remove stubborn dirt. Rinse at high pressure in a sweeping motion keeping the spray nozzle approximately 6-8 inches from the cleaning surface (increase the distance when rinsing sensitive surfaces or pin-stripping). Always clean from top to bottom and from left to right. For best results, wipe surface dry with a chamois or soft dry cloth.

Outdoor Power Equipment, Gardening Tools & Grills

Allow detergent to remain on surface 1-3 minutes. Rinse at high pressure keeping the spray nozzle approximately 2-6 inches from the cleaning surface. For removing extremely stubborn dirt, it may be necessary to move the spray nozzle even closer to the surface for greater dirt cutting action.

Lawn Furniture

If needed use special Wash Brush Attachment to remove stubborn dirt. Rinse at high pressure in a sweeping motion keeping the spray nozzle approximately 3-6 inches from the cleaning surface. For best result, clean from top to bottom and from left to right.

MAINTENANCE

If you drop the washer, carefully inspect it for damage. If you see any condition that may affect the washer's operation, contact your local Authorized Service Center for repairs before putting it back into use.



CAUTION: Do not at any time let brake fluids, gasoline, petroleum-based products, penetrating oils, etc., come in contact with plastic parts. They contain chemicals that can damage, weaken or destroy plastic.

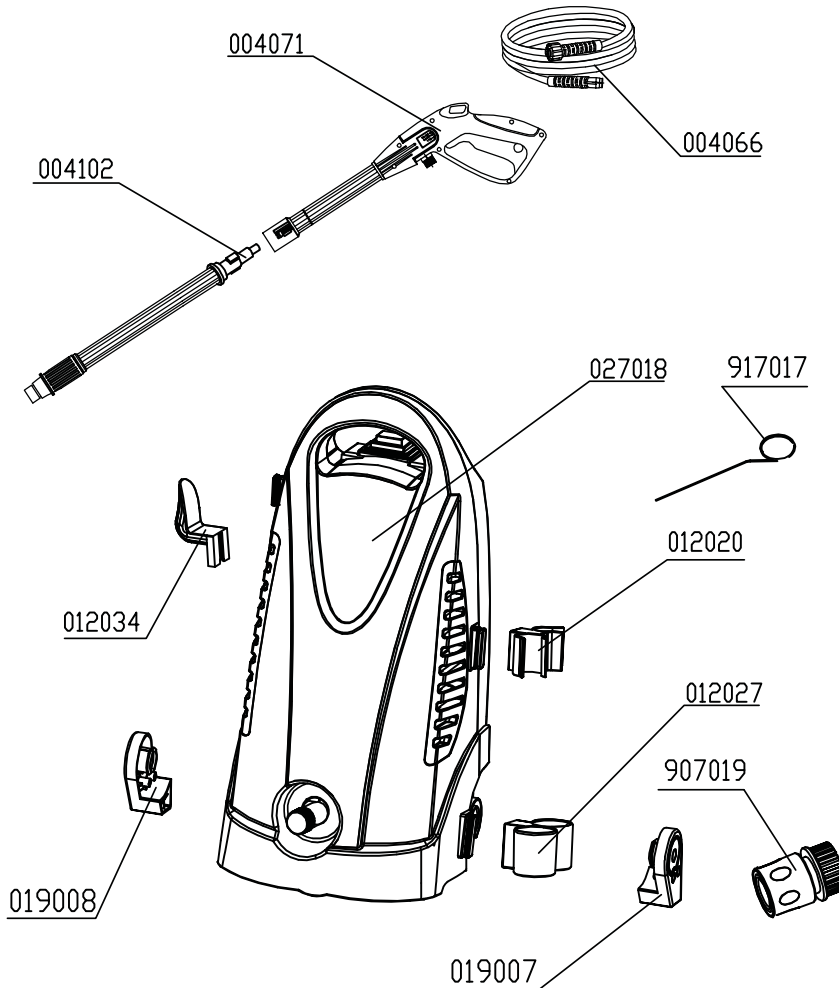


Fertilizers and other garden chemicals contain agents which greatly accelerate the corrosion of metals. Do not store the tool on or adjacent to fertilizers or chemicals.

IMPORTANT: To assure product SAFETY and RELIABILITY, repairs, maintenance and adjustment should be performed by an Authorized Service Center or other qualified service organization, always using identical replacement parts.

CALL US FIRST !!

Call us first with questions about operating or maintaining your pressure washer at 1-800-313-5111 between 7:30 a.m. – 4:30 p.m. Eastern Standard Time, or send emails to earthwise@reelin.com.



PARTS LIST

<u>Part No.</u>	<u>Description</u>
917017	Nozzle Cleaning Pin
907019	American Type Hose Connector
004071	Gun Handle
004102	Spray Lance
004066	High Pressure Hose Assembly
012020	Upper Hang Hook
012034	Wire Hang Hook
012027	Down Hang Hook
019008	Right Wheel Cover
019007	Left Wheel Cover
027018	Mainframe Assembly

WARRANTY

LIMITED WARRANTY FOR PRESSURE WASHERS

This product is manufactured for The Great States Corporation/ American Lawn Mower Company. The Great States Corporation/ American Lawn Mower Company, Shelbyville, Indiana, has been making lawn mowers for over 100 years and it warrants to the original owner that each new product and service part is free from defects in material and workmanship and agrees to repair or replace under this warranty any defective product or part from the original date of purchase for one (1) year except for the conditions and circumstances listed below. Proof of purchase (original dated sales receipt) must accompany all warranty claims.

THIS WARRANTY IS NOT TRANSFERABLE AND DOES NOT COVER:

Products sold damaged or incomplete, sold "as is", sold reconditioned, or used as rental equipment.

Delivery, installation, or normal adjustments explained in the operator's manual.

Damage or liability caused by shipping, improper handling, improper installation, incorrect voltage or improper wiring, improper maintenance, improper modification, or the use of accessories and/or attachments not specifically recommended.

Repairs necessary because of operator abuse or negligence, or the failure to install, operate, maintain, or store the product according to the instructions in the operator's manual.

Damage caused by cold, heat, rain, excessive humidity, corrosive environments and materials, or other contaminants.

Expendable items that become worn during normal use.

Cosmetic defects that do not interfere with tool functionality.

Freight costs from customer to vendor.

Repair and transportation costs of products or parts determined not to be defective.

ANY INCIDENTAL, INDIRECT, OR CONSEQUENTIAL LOSS, DAMAGE, OR EXPENSE THAT MAY RESULT FROM ANY DEFECT, FAILURE, OR MALFUNCTION OF THE PRODUCT. Some states do not allow the exclusion or limitation on how long an implied warranty lasts, so the above limitations may not apply to you.

ANY NON-RESIDENTIAL USE OR COMMERCIAL USE VOIDS ALL WARRANTIES.



830 Webster Street
Shelbyville, IN 46176
Phone 1-800-313-5111
www.reelin.com/earthwise

In a continued commitment to improve quality, the Manufacturer reserves the right to make component changes or design changes when necessary.



MANUAL DEL OPERADOR LAVADORA ELÉCTRICA A PRESIÓN

Este producto se encuentra cubierto por patentes de los Estados Unidos e internacionales

Copyright. Todos los derechos reservados.

Modelo PW01650



CARACTERÍSTICAS

Presión máx	1650 PSI	- Función de paro automático
Presión nominal	1050 PSI	- Clavija UL con GFCI
Límites de presión de entrada . . .	40 PSI a 70 PSI	- 1,6 GPM
Temperatura máx. del agua	32,2°C (90°F)	- Cordón eléctrico de 10.7 m (35 pies) de largo
Corriente de entrada	110-120 V/60 Hz	- Pistola rociadora plástica
Amperaje nominal	13 Amp	- Botella de detergente, opcional (no incluida)
Peso	8,2 kg (18 lbs.)	
Largo de la manguera	6 m (20 pies)	

Las especificaciones de presión máxima han sido determinadas de acuerdo a la Norma PW101, de la PWMA.

La lavadora a presión ha sido diseñada y fabricada de conformidad con nuestras estrictas normas para brindar al operador fiabilidad, facilidad de uso y seguridad. Con el debido cuidado, le brindará muchos años de sólido funcionamiento y sin problemas.

ADVERTENCIA: Para reducir el riesgo de lesiones, el usuario debe leer y comprender el manual del operador antes de usar este producto.

Agradecemos que haya comprado este producto.

GUARDE ESTE MANUAL PARA CONSULTAS FUTURAS

ADVERTENCIAS IMPORTANTES PARA SU SEGURIDAD

PARA REDUCIR EL RIESGO DE LESIONES:

Antes de usar el aparato asegúrese que todas las personas que usan este producto lean y comprendan todas las instrucciones de seguridad y toda la información incluida en este manual.

Guarde estas instrucciones y revíselas frecuentemente antes de usar el producto y para enseñarles a los demás el uso correcto.



PRECAUCIÓN: Cuando use el aparato, utilice la protección personal adecuada para los oídos. Bajo ciertas condiciones y tiempo de uso, el ruido puede contribuir a la pérdida de la audición.



ADVERTENCIA: Al usar aparatos eléctricos para el jardín, siempre debe seguir las precauciones básicas de seguridad para reducir el riesgo de un incendio, descarga eléctrica y/o lesiones personales.

LEA TODAS LAS INSTRUCCIONES

SEGURIDAD GENERAL

EVITE LOS AMBIENTES PELIGROSOS: No use este producto bajo la lluvia, una tormenta y en lugares húmedos o mojados. No haga funcionar la lavadora a presión en lugares donde existan gases o sustancias explosivas en el aire. Por lo general, en este tipo de ambientes los motores sacan chispas que pueden encender los vapores de estas sustancias.

MANTENGA A LOS NIÑOS LEJOS DE ESTE APARATO: Todas las visitas, niños y mascotas deben permanecer lejos del área de trabajo.

USE ROPA ADECUADA: No utilice ropa holgada ni joyas, y utilice la protección adecuada para mantener el cabello largo cubierto, ya que pueden engancharse en las piezas móviles.

Se recomienda el uso de guantes de goma y calzado firme al trabajar al aire libre.

UTILICE ANTEOJOS DE SEGURIDAD: Cuando utilice este producto, póngase anteojos de seguridad con protección lateral, o gafas protectoras, marcados con el sello de cumplimiento de la norma ANSI Z87.1. Use una careta o mascarilla si la operación genera mucho polvo.

Si utiliza un cordón de extensión, debe proveerse un INTERRUPTOR DE CIRCUITO ACCIONADO POR FALLA DE CONEXIÓN A TIERRA (GFCI) para los circuitos o tomacorrientes que se utilizan con este producto. El cordón del producto tiene un GFCI incorporado. Hay receptáculos con la protección de un GFCI incorporado, y pueden utilizarse para contar con esta característica de seguridad.

UTILICE EL APARATO APROPIADO: No debe usar este producto para ninguna función diferente de las especificadas.

CORDÓN DE EXTENSIÓN. Cerciórese que el cordón de extensión esté en buenas condiciones. Sólo debe utilizar cordones de extensión con un calibre que no sea menor al de la especificación eléctrica de este producto. Un cordón de extensión de un calibre insuficiente causa una caída en el voltaje de la línea, y produce recalentamiento y pérdida de potencia. Utilice sólo cordones de extensión de 3 conductores que tengan clavijas de conexión a tierra de 3 espigas y conectores de cordón con 3 polos, compatibles con la clavija de este producto.

Largo del cable	Calibre del alambre
Hasta 7,6 m (25 pies)	12 AWG

El cordón de extensión y el cordón de corriente pueden entrelazarse para formar un nudo y evitar que se desconecten durante el uso. Haga el nudo tal como se muestra, y conecte la clavija del cordón de corriente en el receptáculo del cordón de extensión. Este método también puede utilizarse para entrelazar dos cordones de extensión entre sí.



ADVERTENCIA: Use cordones de extensión para exteriores que lleven las marcas SW-A, SOW-A, STW-A, STOW-A, SJW-A, SJTW-A o SJTOWA. Estos cordones están aprobados para el uso en el exterior y reducen el riesgo de descargas eléctricas.

DESCONECTE EL APARATO del suministro de corriente cuando no lo use o cuando lo limpie o le dé mantenimiento. No lo deje desatendido.

Se requieren tomacorrientes con una tercera terminal de conexión a tierra. No use el aparato sin una espiga de conexión a tierra.

Para evitar el riesgo de descargas eléctricas, el chorro de agua nunca debe dirigirse hacia ningún tomacorriente ni cables, ni directamente hacia el equipo de lavado a presión.

Aprenda cómo parar el equipo y aliviar la presión rápidamente. Familiarícese completamente con los controles.

Nunca acode ni haga nudos en la manguera de alta presión ya que puede dañarse.



PRECAUCIÓN: Use sólo agua limpia y detergente neutro. No debe utilizar productos ácidos o solventes ya que pueden provocar lesiones al operador y daños irreversibles al equipo.



CONEXIÓN A TIERRA: Este producto debe conectarse a tierra. Si deja de funcionar correctamente o se descompone, la conexión a tierra provee una ruta de menor resistencia para la corriente eléctrica para reducir el riesgo de descargas eléctricas. Este producto viene equipado con un cordón que tiene un conductor de conexión a tierra del equipo y una clavija de conexión a tierra. La clavija debe conectarse en un tomacorriente apropiado que haya sido instalado y conectado a tierra de manera adecuada y de acuerdo a todos los códigos y reglamentos locales.

Para permitir que el aire circule libremente, la lavadora a presión NO debe cubrirse mientras está funcionando.

NO MALTRATE EL CORDÓN: Nunca use el cordón para cargar la lavadora a presión ni para sacar la clavija del tomacorriente. Mantenga el cordón alejado del calor, del aceite y de bordes afilados.

EVITE ENCENDER LA LAVADORA A PRESIÓN INADVERTIDAMENTE: No debe transportarla cuando está conectada a la corriente ni colocando un dedo sobre el interruptor de encendido. Antes de conectarla cerciórese que el interruptor esté en posición de apagado.



PELIGRO: Mantenga las manos lejos de la boquilla o del chorro de agua. Al usar la lavadora a presión use siempre las dos manos para mantener la lanza bajo control.

Nunca dirija el chorro de agua en la dirección en la cual se encuentra usted u otras personas para limpiar la ropa, los zapatos o por algún otro motivo.

PERMANEZCA ALERTA: Preste atención a lo que esté haciendo y use el sentido común. No utilice la lavadora a presión cuando esté cansado o bajo la influencia de drogas, alcohol o medicamentos.

GUARDE LA LAVADORA A PRESIÓN EN INTERIORES: Cuando no esté en uso, la lavadora a presión debe guardarse en el interior, en un lugar seco y alto o cerrado con llave, lejos del alcance de los niños.

MANTENGA EL APARATO EN BUENAS CONDICIONES: Manténgalo limpio para un rendimiento óptimo y para reducir el riesgo de lesiones. Inspeccione periódicamente el cordón y reemplácelo si está dañado. Mantenga los mangos secos, limpios y sin aceite ni grasa.

VERIFIQUE QUE NO TENGA PIEZAS DAÑADAS: Antes de continuar utilizando la lavadora a presión, debe examinarse cuidadosamente cualquier pieza dañada para determinar si puede funcionar correctamente y ejecutar el trabajo. Verifique la alineación y el trabado de las piezas móviles, las piezas rotas, el montaje y cualquier otra condición que pueda afectar el funcionamiento. Cualquier pieza dañada debe ser reparada o reemplazada apropiadamente por un Centro de Servicio Autorizado, a menos que en alguna sección de este manual se indique lo contrario.

ILUMINACIÓN: La lavadora a presión sólo debe funcionar a plena luz del día o con buena luz artificial.

NO SE ESTIRE DEMASIADO: Mantenga los pies bien firmes y el equilibrio en todo momento.



CLAVIJAS POLARIZADAS: Para reducir el riesgo de una descarga eléctrica, este producto dispone de una clavija polarizada (una patilla es más ancha que la otra). Sólo debe utilizarse con un cordón de extensión polarizado de 3 conductores adecuado. Las conexiones polarizadas entran sólo de una forma en el enchufe. Cerciórese que el receptáculo del cordón de extensión tenga una ranura ancha y una angosta. Si la clavija no entra completamente en el enchufe del cordón de extensión, invierta la posición de la misma. Si aún así no entra la clavija, obtenga un cordón de extensión adecuado. Si la clavija del cordón de extensión no entra completamente en el tomacorriente, contrate a un electricista calificado para encargarse de la instalación de un tomacorriente adecuado. No cambie de ninguna manera la clavija del equipo ni del cordón de extensión.

Para poder utilizar la lavadora a presión, ésta debe estar en posición vertical.

No toque la clavija ni el tomacorriente con las manos mojadas.

Desconecte la lavadora a presión del suministro de corriente antes de retirar la manguera de alta presión.

No haga funcionar ni guarde este producto a temperaturas por debajo del punto de congelación. La garantía no cubre los daños por congelamiento.

FUNCIONAMIENTO

Esta lavadora a presión viene equipada con un dispositivo de paro que detecta el momento en que se suelta el gatillo de la pistola, deteniendo entonces su funcionamiento.



ADVERTENCIA: Si la lavadora a presión no se para al soltar el gatillo de la pistola, NO LA USE. Comuníquese con el centro de reparaciones más cercano para que le den servicio.

Esta lavadora a presión también viene equipada con un interruptor de protección térmica que para automáticamente el motor en caso de un recalentamiento. Si llegara a ocurrir, el interruptor se restablece por sí mismo y puede reanudar el funcionamiento normal después de que se enfría el motor.



ADVERTENCIA: Para reducir el riesgo de descargas eléctricas, mantenga todas las conexiones secas y lejos del suelo. No toque la clavija con las manos mojadas.



ADVERTENCIA: Pruebe el interruptor de circuito accionado por falla de conexión a tierra (GFCI) antes de cada uso. NO utilice la lavadora a presión si no pasa las pruebas siguientes.

Procedimientos de prueba GFCI:

- Conecte el GFCI en el tomacorriente. Debe encenderse la luz indicadora.

- Oprima el botón "Test" (prueba). Debe apagarse la luz.

- Oprima el botón "Reset" (restablecer) para usar la lavadora a presión. Debe encenderse la luz indicadora.

NO USE la lavadora a presión si no pasa la prueba anterior y comuníquese con el centro de reparación más cercano para que sea reemplazada.

NOTA: El GFCI debe restablecerse cada vez que se conecta la lavadora a presión a un tomacorriente. Puede restablecerlo simplemente oprimiendo el botón "Reset" (restablecer) en la clavija del GFCI.

ACONDICIONAMIENTO PARA EL INVIERNO Y ALMACENAMIENTO PROLONGADO

- Desconecte todas las mangueras de agua.

- Encienda la lavadora a presión durante unos cuantos segundos para extraer el agua restante de la bomba y apáguela de inmediato.

- No permita que la manguera de alta presión se acode.

- Guarde el equipo y los accesorios en un lugar en el cual no puedan congelarse.

No la guarde cerca de un calefactor ni otra fuente de calor ya que pueden secarse los sellos de la bomba.

Si se utiliza un cordón de extensión, la clavija y el receptáculo deben permanecer alejados del agua y la humedad.

El chorro angosto de precisión es muy poderoso. No se recomienda usar en superficies pintadas, de madera ni en objetos fijos con una capa posterior de adhesivo.

El ángulo óptimo del chorro de agua sobre la superficie a limpiar es de 45 grados.

Para disminuir al mínimo la cantidad de agua que penetra en la lavadora a presión durante el funcionamiento, ésta debe colocarse tan lejos como sea posible del lugar de limpieza.

1. Coloque el aparato en posición vertical.
2. Revise el filtro de entrada de agua para ver si tiene residuos o algún sedimento. Límpielo antes de cada uso.
3. Añada detergente si así lo desea.
4. Conecte la manguera de alta presión a la salida correspondiente de alta presión.
5. Conecte la pistola de agua a la manguera de alta presión.
(Cerciórese que el gatillo de la pistola esté en la posición de apagado.)
6. Conecte la manguera del jardín en la entrada de agua.
7. Conecte la manguera del jardín a la llave de agua fría y abra la llave por completo.
8. Cerciórese que el interruptor esté en la posición de apagado y conecte el cordón eléctrico en un tomacorriente con una terminal de conexión a tierra.
9. Active la pistola para descargar el aire que esté atrapado dentro del aparato y espere hasta que el chorro de agua salga de manera continua.
10. Encienda la lavadora a presión. El motor funciona sólo cuando tira del gatillo de la pistola y se apaga cuando lo suelta.
(Si desea tomar una pausa de más de tres (3) minutos, suelte el gatillo y apague el aparato.)
11. Cuando termine su tarea, apague el aparato y desconecte el cordón eléctrico del tomacorriente.
12. Cierre la llave de agua.
13. Active la pistola para aliviar la presión del agua.
14. Desconecte la manguera del jardín de la entrada de agua del aparato.

CONSEJOS DE LIMPIEZA

Consejos y recomendaciones generales de limpieza

- Enjuague previamente con agua dulce las superficies que se deben limpiar.
- Siempre use presión baja para aplicar el detergente.
- Nunca deje secar el detergente sobre la superficie. Si el detergente comienza a secarse antes del enjuague, simplemente humedezca el área con agua dulce.
- Antes de limpiar cualquier superficie, elija un sector poco visible para comprobar el patrón y la distancia de rociado y obtener el máximo resultado en la limpieza.
- Si la pintura de la superficie se está descascarando o pelando, sea sumamente cuidadoso ya que la lavadora a presión puede desprender la pintura floja.
- Al limpiar superficies que puedan estar en contacto con alimentos, enjuáguelas con abundante agua potable.

Limpieza de plataformas

Para obtener mejores resultados, limite el área de trabajo a sectores más reducidos de aproximadamente 1,8 a 2,3 metros cuadrados (20 a 25 pies cuadrados). Para enjuagar, aplique presión alta con un movimiento largo de barrido y mantenga la boquilla de rociado a una distancia aproximada de 5 a 15 cm (2 a 6 pulgadas) de la superficie de limpieza. Siempre limpie de arriba hacia abajo y de izquierda a derecha. Al pasar a otro sector de la superficie, cerciórese de superponerlo con el sector anterior para evitar las marcas entre los sectores de limpieza y garantizar un resultado aún más uniforme.

Revestimientos exteriores de casas

Para obtener mejores resultados, limite el área de trabajo a sectores de aproximadamente 1,5 a 1,8 m (5 a 6 pies) de ancho y siempre aplique el detergente de abajo hacia arriba. Para enjuagar, aplique presión alta de arriba hacia abajo con un movimiento de barrido uniforme y mantenga la boquilla de rociado a una distancia aproximada de 15 cm (6 pulgadas) de la superficie de limpieza.

Patios de cemento, ladrillo y piedra

Para obtener mejores resultados, limite el área de trabajo a sectores más reducidos de aproximadamente 1,8 a 2,3 metros cuadrados (20 a 25 pies cuadrados). Si usa detergente, déjelo actuar sobre la superficie de 1 a 3 minutos. Para enjuagar, aplique presión alta con un movimiento de barrido y mantenga la boquilla de rociado a una distancia aproximada de 5 a 15 cm (2 a 6 pulgadas) de la superficie de limpieza. Siempre limpie de arriba hacia abajo y de izquierda a derecha.

Automóviles, motocicletas y embarcaciones

Para obtener mejores resultados, limpie un lado del vehículo por vez y siempre aplique el detergente de abajo hacia arriba. No deje secar el detergente sobre la superficie. Si es necesario, use un accesorio especial que es un cepillo de lavar para eliminar la suciedad rebelde. Para enjuagar, aplique presión alta con un movimiento de barrido y mantenga la boquilla de rociado a una distancia aproximada de 15 a 20 cm (6 a 8 pulgadas) de la superficie de limpieza. Aumente la distancia al enjuagar superficies delicadas o *pinstriping* (detalles de pintura personalizados). Siempre limpie de arriba hacia abajo y de izquierda a derecha. Para obtener mejores resultados, seque la superficie con una gamuza o un paño suave y seco.

Parrillas, herramientas de jardín y equipos eléctricos para exteriores

Deje actuar el detergente sobre la superficie de 1 a 3 minutos. Para enjuagar, aplique presión alta y mantenga la boquilla de rociado a una distancia aproximada de 5 a 15 cm (2 a 6 pulgadas) de la superficie de limpieza. Si la suciedad es muy persistente, quizás sea necesario acercarse más a la boquilla de rociado a la superficie para lograr un mayor poder de remoción de la suciedad.

Muebles de jardín

Si es necesario, use el Cepillo de lavar, que es un accesorio especial para eliminar la suciedad persistente. Para enjuagar, aplique presión alta con un movimiento de barrido y mantenga la boquilla de rociado a una distancia aproximada de 8 a 15 cm (3 a 6 pulgadas) de la superficie de limpieza. Para obtener mejores resultados, limpie de arriba hacia abajo y de izquierda a derecha.

MANTENIMIENTO

Si deja caer la lavadora a presión, inspecciónela con cuidado en busca de daños. Si observa alguna condición que considera puede afectar el funcionamiento de la lavadora a presión, comuníquese con el Centro de Servicio Autorizado local para que sea reparada antes de usarla nuevamente.



PRECAUCIÓN: En ningún momento permita que el líquido para frenos, la gasolina, los productos derivados de petróleo, los aceites penetrantes, etc., entren en contacto con las piezas plásticas. Estas sustancias contienen componentes químicos que pueden dañar, debilitar o destruir el plástico.

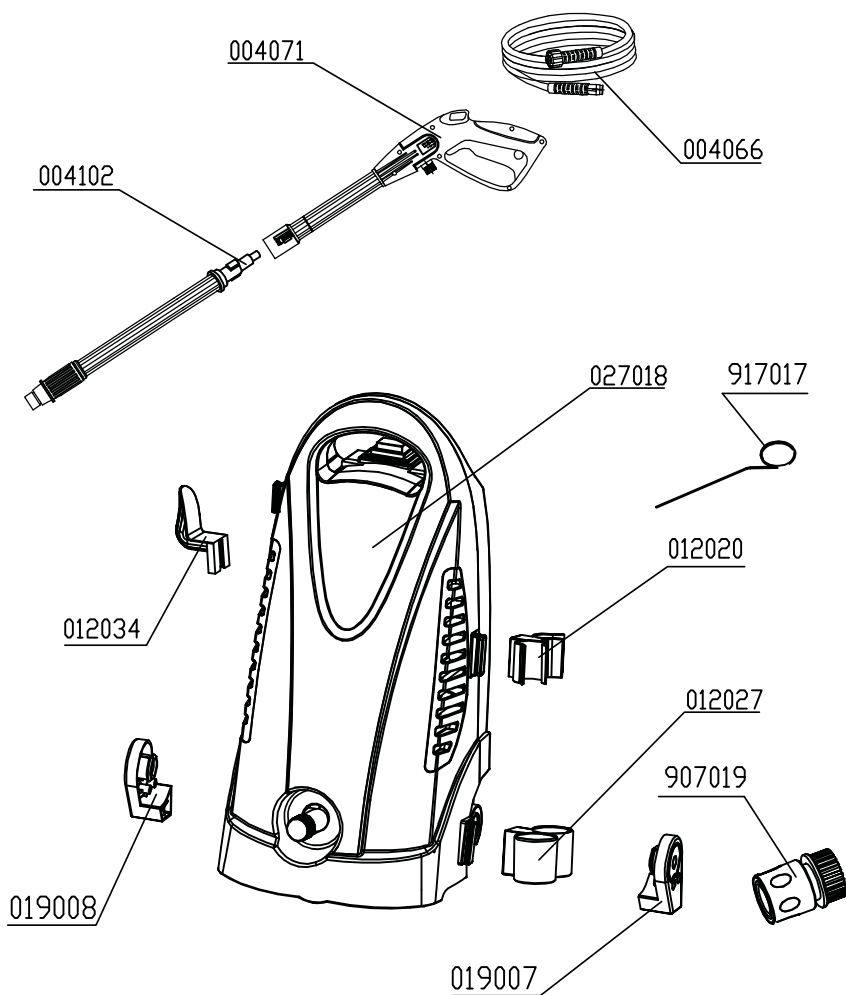


Los fertilizantes y otro tipo de productos químicos de jardinería contienen compuestos que aceleran enormemente la corrosión en las superficies metálicas. No guarde este equipo cerca o junto de fertilizantes o productos químicos.

IMPORTANTE: Para garantizar la **SEGURIDAD** y **CONFIABILIDAD** del producto, todas las reparaciones, servicios de mantenimiento y ajustes deben ser realizados por un Centro de Servicio Autorizado o alguna otra organización de servicios calificados, y siempre deben usarse piezas de repuesto idénticas.

LLÁMENOS PRIMERO

Si tiene preguntas sobre el funcionamiento o el mantenimiento de la lavadora a presión, llame al 1-800-313-5111, de las 7:30 a.m. a las 4:30 p.m., hora estándar del Este, o envíe un correo electrónico a: earthwise@reelin.com.



LISTA DE PIEZAS

Núm. Pieza	Descripción
917017	Pasador de limpieza de boquillas
907019	Conector de manguera tipo American
004071	Mango de la pistola
004102	Lanza de rociado
004066	Conj. de la manguera de alta presión
012020	Gancho superior
012034	Gancho para el cable
012027	Gancho inferior
019008	Cubierta de la rueda derecha
019007	Cubierta de la rueda izquierda
027018	Conj. del armazón

GARANTÍA

GARANTÍA LIMITADA PARA LAS LAVADORAS A PRESIÓN

Este producto se fabrica para la compañía The Great States Corporation/American Lawn Mower Company. The Great States Corporation/ American Lawn Mower Company, Shelbyville, Indiana, ha fabricado podadoras de pasto durante más de 100 años y garantiza al propietario original que todos los productos nuevos y piezas de repuesto carecen de defectos en el material y en la mano de obra y acuerda reparar o reemplazar, en virtud de esta garantía, todo producto o pieza defectuoso por un (1) año a partir de la fecha de compra original, con excepción de las condiciones y circunstancias mencionadas a continuación. Todos los reclamos de garantía deben incluir el comprobante de compra (recibo original fechado).

ESTA GARANTÍA NO ES TRANSFERIBLE Y NO CUBRE:

Productos que se hayan vendido dañados o incompletos, en las condiciones en que se encontraban, reacondicionados o utilizados como equipos de alquiler.

Entrega, instalación o ajustes normales explicados en el manual del operador.

Daños o responsabilidades causados por transporte, manejo inadecuado, instalación inadecuada, voltaje incorrecto o cableado inadecuado, mantenimiento inadecuado, modificación inadecuada o el uso de accesorios y/o aditamentos no recomendados específicamente.

Reparaciones necesarias debido al maltrato o negligencia del operador, o a no instalar, utilizar, mantener y guardar el producto según las instrucciones del manual del operador.

Daños causados por frío, calor, lluvia, humedad excesiva, entornos y materiales corrosivos, u otros contaminantes.

Artículos prescindibles que se gastan durante el uso normal.

Defectos estéticos que no interfieren con la funcionalidad de la herramienta.

Costos de flete del cliente al proveedor.

Costos de reparación y traslado de productos o piezas que no se consideren defectuosos.

CUALQUIER PÉRDIDA, DAÑO O GASTO INCIDENTAL, INDIRECTO O CONSECUENTE QUE PUEDA PRODUCIRSE POR CUALQUIER DEFECTO, FALLA O MAL FUNCIONAMIENTO DEL PRODUCTO. Algunos estados no permiten exclusiones ni limitaciones en cuanto a la duración de una garantía implícita, por lo que es posible que las limitaciones antes mencionadas no se apliquen en su caso.

CUALQUIER USO NO RESIDENCIAL O USO COMERCIAL ANULA TODAS LAS GARANTÍAS.



830 Webster Street
Shelbyville, IN 46176
Teléfono 1-800-313-5111
www.reelin.com/earthwise

Debido a nuestro compromiso continuo por mejorar la calidad, el fabricante se reserva el derecho a hacer modificaciones al diseño o los componentes cuando sea necesario



MANUEL D'UTILISATION

LAVEUSE À PRESSION ÉLECTRIQUE

Cet appareil est protégé par des brevets américains et autres brevets internationaux.

Copyright. Tous droits réservés.

Modèle PW01650



CARACTÉRISTIQUES

Pression maximale : 1 650 LPC
Pression nominale : 1 050 LPC - Fonction d'arrêt automatique
Fourchette de pression de l'arrivée d'eau : 40 LPC - 70 LPC - Prise homologuée UL avec disjoncteur de fuite à la terre (GFCI)
Température maximale de l'eau : 32,2 °C (90 °F) - 1,6 gal/min
Alimentation : 110/120 V, 60 Hz - Longueur du cordon électrique : 10.7 m (35 pi)
Intensité de courant nominale : 13 A - Pistolet de pulvérisation en plastique
Poids : 8,2 kg (18 lb) - Compartiment de nettoyant en option (non compris)
Longueur du tuyau : 6 m (20 pi)

Évaluation de la pression maximale déterminée conformément à la PWMA
Pressure Washer Manufacturers Association.- Association des fabricants de laveuses à pression) Norme PW101

Cette laveuse à pression a été conçue et fabriquée conformément à nos strictes normes de fiabilité, simplicité d'emploi et sécurité d'utilisation. Correctement entretenue, elle vous donnera des années de fonctionnement robuste et sans problèmes.

AVERTISSEMENT : pour réduire les risques de blessures, l'utilisateur doit lire et veiller à bien comprendre le manuel d'utilisation avant d'utiliser cet appareil.

Merci de votre achat.

CONSERVER CE MANUEL D'UTILISATION À TITRE DE RÉFÉRENCE



AVERTISSEMENTS DE SÉCURITÉ IMPORTANTS



POUR RÉDUIRE LES RISQUES DE BLESSURE : avant toute utilisation de l'appareil, il importe de lire et de comprendre toutes les consignes de sécurité, de même que toutes les autres informations de ce manuel.

Conservez ces instructions et consultez-les fréquemment avant toute utilisation et afin de pouvoir instruire les autres utilisateurs éventuels.



MISE EN GARDE : portez un serre-tête antibruit approprié lors de l'utilisation. Dans certaines conditions et selon la durée d'utilisation, le bruit de cet outil peut induire une certaine perte auditive.



AVERTISSEMENT : lorsque vous utilisez des outils électriques de jardinage, il est impératif de respecter les mesures de sécurité élémentaires afin de réduire le risque d'incendie, de décharge électrique et de blessures.

LISEZ TOUTES LES INSTRUCTIONS

CONSIGNES GÉNÉRALES DE SÉCURITÉ

ÉVITEZ LES ENVIRONNEMENTS DANGEREUX - N'utilisez pas l'appareil sous la pluie ou lors d'orages, ni dans des endroits mouillés ou humides. N'utilisez pas l'appareil dans des environnements gazeux ou explosifs. Les moteurs de ce type d'appareil créent en général des étincelles qui risquent d'enflammer les vapeurs.

TENEZ LES ENFANTS À L'ÉCART - Tous les visiteurs, enfants et animaux doivent être tenus à une distance sécuritaire de la zone de travail.

PORTEZ UNE TENUE APPROPRIÉE - Ne portez pas de vêtements amples ni de bijoux, et portez un couvre-chef protecteur sur des cheveux longs. Ces derniers risquent de se prendre dans les pièces mobiles. Le port de gants de caoutchouc et de chaussures robustes est recommandé lors de travaux à l'extérieur.

PORTEZ DES LUNETTES DE SÉCURITÉ - Portez des lunettes de sécurité munies d'écrans latéraux ou un masque facial intégral, certifié conforme à la norme ANSI Z87.1 lors de l'utilisation de cet appareil. Utilisez un masque facial ou un masque à poussière si les activités génèrent de la poussière.

UN DISJONCTEUR DE FUITE À LA TERRE doit être installé sur le circuit ou la prise électrique à utiliser avec cet appareil si vous utilisez un cordon prolongateur. Le cordon électrique de cet appareil est muni d'un disjoncteur de fuite à la terre. Des prises à disjoncteur de fuite à la terre sont en vente dans le commerce et doivent être utilisées.

UTILISEZ LE BON APPAREIL - N'utilisez cet appareil que pour la tâche pour laquelle il a été conçu.

CORDON PROLONGATEUR. Assurez-vous que votre cordon prolongateur est en bon état. N'utilisez que des cordons prolongateurs dont la puissance nominale est égale ou supérieure à celle de cet appareil. Un cordon prolongateur d'un calibre trop petit causerait une baisse de la tension sectorielle entraînant une perte de puissance et une surchauffe. N'utilisez que des cordons prolongateurs à 3 fils dotés d'une fiche de mise à la terre branchés sur une prise triphasée compatible avec la fiche de l'appareil.

Longueur du cordon Calibre du fil
Jusqu'à 7,6 m (25 pi) 12 AWG (calibre américain des fils)

Pour réduire les risques de débranchement du cordon d'alimentation et du cordon prolongateur en cours de fonctionnement, vous pouvez les nouer. Faites un nœud comme illustré, puis branchez la prise du cordon électrique de l'appareil dans la fiche du cordon prolongateur. Cette méthode peut aussi être utilisée pour nouer deux cordons prolongateurs.



AVERTISSEMENT : utilisez des cordons prolongateurs marqués SW-A, SOW-A, STW-A, STOW-A, SJW-A, SJTW-A ou SJTOWA. Ces cordons sont conçus pour l'usage en extérieur et réduisent les risques de décharge électrique.

DÉBRANCHEZ L'APPAREIL de la prise électrique lorsqu'il n'est pas utilisé ou lors de la maintenance ou de son nettoyage. Ne laissez pas l'appareil sans surveillance.

Les prises avec mise à la terre sont obligatoires (3 fiches). N'utilisez pas l'appareil sans prise avec mise à la terre.

Pour éviter tout risque de décharge électrique, le pistolet de pulvérisation ne doit jamais être dirigé vers des prises ou des fils électriques, ni vers l'appareil lui-même.

Sachez comment arrêter l'appareil et relâcher la pression rapidement. Familiarisez-vous avec les commandes.

Ne nouez ni ne vrillez jamais le tuyau à haute pression, cela pourrait l'endommager.



MISE EN GARDE : n'utilisez que de l'eau propre et du nettoyant neutre. N'utilisez ni acides ni solvants, cela risque de blesser l'utilisateur et de causer des dommages irréversibles à l'appareil.



MISE À LA TERRE : cet appareil doit être mis à la terre. En cas de mauvais fonctionnement ou de panne, la mise à la terre offre un conduit de moindre résistance au courant, ce qui réduit les risques de décharge électrique. L'appareil est muni d'un cordon électrique muni d'un conducteur de mise à la terre et d'une prise de mise à la terre. La prise doit être branchée sur une prise de courant appropriée, installée correctement et mise à la terre en vertu des règlements et législations locales.

Afin de permettre à l'air de circuler librement, la laveuse à pression NE doit PAS être couverte lors de son utilisation.

NE MALTRAITEZ PAS LE CORDON D'ALIMENTATION - N'utilisez jamais le cordon d'alimentation pour transporter l'appareil et ne débranchez jamais ce dernier en tirant sur le cordon. Gardez le cordon à l'écart de toute source de chaleur, de l'huile et d'objets tranchants.

ÉVITEZ LE RISQUE DE DÉMARRAGE ACCIDENTEL - Ne transportez pas l'appareil branché avec votre doigt sur le commutateur. Assurez-vous que le commutateur est en position d'arrêt avant de brancher l'appareil.



DANGER : Gardez vos mains à l'écart de la canule et du jet de pulvérisation. Utilisez toujours vos deux mains lorsque vous utilisez l'appareil afin de bien garder le contrôle du pistolet de pulvérisation.

Ne dirigez jamais le jet de pulvérisation dans votre direction pour nettoyer des vêtements, des chaussures ou pour toute autre raison.

SOYEZ VIGILANT - Soyez attentif à ce que vous faites. Faites preuve de bon sens. N'utilisez pas cet appareil en état de fatigue ou sous l'influence de l'alcool, de drogues ou de médicaments.

RANGÉE L'APPAREIL ÉTEINT À L'INTÉRIEUR - Lorsque l'appareil n'est pas utilisé, il doit être conservé à l'intérieur, dans un endroit sec et en hauteur ou sous clé, hors de portée des enfants.

PRENEZ SOIN DE VOTRE APPAREIL - Gardez l'appareil propre, pour garantir son fonctionnement optimal et réduire les risques d'accident. Inspectez périodiquement les cordons prolongateurs et remplacez-les s'ils sont endommagés. Les poignées doivent être sèches, propres et ne contenir ni huile ni graisse.

INSPECTEZ L'APPAREIL POUR DÉTECTER TOUTE PIÈCE ENDOMMAGÉE - Avant d'utiliser l'appareil, examinez toute pièce qui semble endommagée afin de déterminer si elle peut toutefois fonctionner conformément aux fins prévues. Vérifiez l'alignement et la fixation des pièces mobiles, assurez-vous qu'aucune pièce n'est cassée, vérifiez l'assemblage de l'appareil et qu'aucun autre problème ne risque de perturber son bon fonctionnement. Toute pièce endommagée doit être correctement réparée ou remplacée dans un centre de réparations agréé, sauf indication contraire dans ce manuel.

ÉCLAIRAGE - N'utilisez cet appareil que de jour ou dans un endroit bien éclairé.

NE VOUS ÉTIREZ PAS TROP - Maintenez constamment une bonne position et votre équilibre.



FICHES POLARISÉES - Afin de réduire les risques de décharge électrique, cet appareil est muni d'une fiche polarisée (une tige est plus large que l'autre). Cet appareil doit être utilisé avec un cordon prolongateur muni d'une prise de mise à la terre polarisée (3 fils). Les connexions polarisées ne peuvent se brancher que d'une seule façon. Assurez-vous que la prise du cordon prolongateur est dotée de deux fentes, l'une étant plus longue que l'autre. Si la fiche ne peut pas être insérée dans la prise du cordon, inversez-la. Si elle ne s'enfonce toujours pas correctement, procurez-vous un cordon prolongateur approprié. Si le cordon prolongateur ne peut toujours pas être inséré correctement, faites installer une prise adéquate par un électricien qualifié. Ne modifiez ni la prise de l'appareil ni le cordon électrique de quelque façon que ce soit.

La laveuse à pression doit être à la verticale lors de son utilisation.

Ne touchez ni la fiche ni la prise avec les mains mouillées.

Débranchez l'appareil de la prise électrique avant de déconnecter le tuyau à haute pression.

N'utilisez pas et ne rangez pas cet appareil à des températures inférieures à 0 °C (32 °F). Les dommages causés par le gel ne sont pas couverts par la garantie.

UTILISATION

La laveuse à pression est dotée d'un système automatique d'arrêt capable de détecter tout relâchement de la gâchette du pistolet de pulvérisation, entraînant ainsi l'arrêt de l'appareil.



AVERTISSEMENT : si la laveuse à pression ne s'arrête pas lorsque la gâchette est relâchée, N'UTILISEZ PAS L'APPAREIL. Prenez contact avec le centre de réparation le plus proche afin de le faire réparer.

La laveuse à pression est aussi dotée d'un commutateur thermosensible qui provoque automatiquement l'arrêt du moteur de l'appareil en cas de surchauffe. Dans ce cas, le commutateur se réinitialise automatiquement; vous pouvez reprendre vos activités normales une fois le moteur refroidi.



AVERTISSEMENT : pour réduire les risques d'électrocution, conservez toutes les connexions sèches et au-dessus du sol. Ne touchez ni la fiche ni la prise avec des mains mouillées.



AVERTISSEMENT : testez le disjoncteur de fuite à la terre. N'utilisez PAS la laveuse à pression si le test suivant échoue.

Pour tester le disjoncteur de fuite à la terre :

- Branchez le disjoncteur de fuite à la terre dans la prise de courant. Le témoin indicateur doit s'allumer.
- Appuyez sur le bouton d'essai. Le témoin doit s'éteindre.
- Appuyez sur le bouton de réinitialisation pour pouvoir l'utiliser. Le témoin indicateur doit s'allumer.

N'UTILISEZ PAS l'appareil si le test indiqué ci-dessus échoue et prenez contact avec le centre de réparation le plus proche pour faire remplacer le disjoncteur.

REMARQUE : le disjoncteur de fuite à la terre doit être réinitialisé chaque fois que l'appareil est branché à une prise électrique.

Pour cela, appuyez tout simplement sur le bouton « Reset » de la prise à disjoncteur de fuite à la terre.

PRÉPARATION POUR LE RANGEMENT DE LONG TERME ET POUR L'HIVER

- Déconnectez toutes les connexions d'eau.
- Faites fonctionner l'appareil pendant quelques secondes afin de vider toute eau restant dans la pompe et l'arrêter immédiatement
- Assurez-vous de ne pas vriller le tuyau de haute pression.
- Rangez l'appareil et ses accessoires dans un endroit où il ne gèle pas.

Ne rangez pas l'appareil près d'un chauffe-eau ou de toute autre source de chaleur, cela risque d'assécher les joints d'étanchéité de la pompe.

Si un cordon prolongateur est utilisé, la fiche et la prise doivent rester à l'abri de toute source d'eau ou d'humidité.

L'embout à jet d'extrême précision est très puissant. Il n'est pas conseillé de l'utiliser sur des surfaces peintes, sur du bois ou des articles attachés avec une pellicule adhésive.

Le meilleur angle pour pulvériser de l'eau contre une surface est à 45°.

Pour minimiser la quantité d'eau entrant en contact avec la laveuse à pression, l'appareil doit être placé aussi loin que possible de la surface à nettoyer pendant son utilisation.

1. Positionnez l'appareil à la verticale.
2. Vérifiez le filtre d'arrivée d'eau pour tout débris ou dépôt. Nettoyez-le avant chaque utilisation.
3. Ajoutez du nettoyant au besoin.
4. Connectez le tuyau de haute pression à la sortie de haute pression.
5. Connectez le pistolet de pulvérisation au tuyau de haute pression. (Vérifiez que la gâchette du pistolet est en position d'arrêt.)
6. Connectez le tuyau d'arrosage à l'arrivée d'eau.
7. Connectez le tuyau d'arrosage à l'arrivée d'eau froide et ouvrez le robinet d'eau à fond.
8. Le commutateur On/Off en position d'arrêt (Off), branchez le cordon électrique à une prise.
9. Appuyez sur la gâchette pour purger tout air emprisonné dans l'appareil et continuez jusqu'à obtenir un flux d'eau continu.
10. Activez la laveuse à pression. Le moteur se met en marche uniquement si la gâchette du pistolet est enclenchée et s'arrête automatiquement si elle est relâchée. (Si vous faites une pause de plus de trois (3) minutes, relâchez la gâchette et éteignez l'appareil.)
11. Lorsque vous avez terminé, éteignez l'appareil et débranchez le cordon électrique de la prise.
12. Fermez le robinet de la source d'arrivée d'eau.
13. Tirez sur la gâchette pour relâcher la pression d'eau.
14. Déconnectez le tuyau d'arrosage de l'arrivée d'eau de l'appareil.

CONSEJOS DE LIMPIEZA

Conseils et recommandations généraux pour le nettoyage

- Rincez au préalable les surfaces à nettoyer avec de l'eau fraîche.
- Utilisez toujours une basse pression pour appliquer le détergent.
- Ne laissez jamais le détergent sécher sur la surface. S'il apparaît que du détergent sèche avant que vous ne soyez prêt à rincer, il suffit de mouiller la zone avec de l'eau fraîche.
- Avant de nettoyer toute surface, une zone cachée doit être nettoyée afin d'essayer le schéma de pulvérisation et la distance pour des résultats optimum du nettoyage.
- Si des surfaces peintes s'écaillent, faites très attention car le lavage sous pression peut enlever de la peinture de la surface.
- Lors du nettoyage de surfaces pouvant entrer en contact avec des aliments, rincez abondamment ces surfaces avec de l'eau potable.

Nettoyage de terrasses en bois

Pour les meilleurs résultats, limitez votre zone de travail à des sections plus petites d'environ 1,8-2,3 m². Rincez à haute pression dans un long mouvement de balayage en maintenant le bec de pulvérisation à environ 5-15 cm de la surface nettoyée. Nettoyez toujours du haut vers le bas et de la gauche vers la droite. Lors du passage à une nouvelle section de la surface de nettoyage, veillez à chevaucher avec la section précédente pour éliminer les traces d'arrêt et pour assurer un résultat de nettoyage plus homogène.

Parement mural

Pour les meilleurs résultats, limitez votre zone de travail à des sections d'une largeur d'environ 1,5 - 2 mètres et appliquez toujours le détergent du bas vers le haut. Rincez à haute pression du haut vers le bas dans un long mouvement de balayage régulier en maintenant le bec de pulvérisation à environ 13 cm de la surface nettoyée.

Terrasses en ciment, briques et pierre

Pour les meilleurs résultats, limitez votre zone de travail à des sections plus petites d'environ 1,8-2,3 m². En cas d'utilisation de détergent, laissez-le reposer sur la surface pendant 1-3 minutes. Rincez à haute pression dans un mouvement de balayage en maintenant le bec de pulvérisation à environ 5-15 cm de la surface nettoyée. Nettoyez toujours du haut vers le bas et de la gauche vers la droite.

Voitures, motos et bateaux

Pour les meilleurs résultats, nettoyez un seul côté du véhicule à la fois et appliquez toujours le détergent du bas vers le haut. Ne laissez pas le détergent sécher sur la surface. S'il le faut, utilisez la brosse spéciale de lavage pour éliminer les saletés récalcitrantes. Rincez à haute pression dans un mouvement de balayage en maintenant le bec de pulvérisation à environ 15-20 cm de la surface nettoyée (augmentez la distance lors du rinçage des surfaces sensibles ou des rayures fines). Nettoyez toujours du haut vers le bas et de la gauche vers la droite. Pour les meilleurs résultats, essuyez la surface avec une peau de chamois ou un chiffon doux sec.

Équipement électrique extérieur, outils de jardin et grills

Laissez le détergent reposer sur la surface pendant 1-3 minutes. Rincez à haute pression en maintenant le bec de pulvérisation à environ 5-15 cm de la surface nettoyée. Pour éliminer la saleté extrêmement récalcitrante, il peut être nécessaire de rapprocher le bec de pulvérisation vers la surface pour une action supérieure de découpe de la saleté.

Meubles de jardin

S'il le faut, utilisez la brosse spéciale de lavage pour éliminer les saletés récalcitrantes. Rincez à haute pression dans un long mouvement de balayage en maintenant le bec de pulvérisation à environ 7-15 cm de la surface nettoyée. Pour le meilleur résultat, nettoyez toujours du haut vers le bas et de la gauche vers la droite.

ENTRETIEN

Si vous faites tomber l'appareil, inspectez-le soigneusement pour repérer tout signe de dommage éventuel. Si vous découvrez toute condition qui pourrait empêcher l'appareil de fonctionner correctement, prenez contact avec le centre de réparation agréé le plus proche, pour le faire réparer avant toute réutilisation.

Les engrais et autres produits chimiques pour le jardin contiennent des agents qui peuvent accélérer considérablement la vitesse de corrosion des métaux. Ne rangez pas l'appareil sur ou près d'engrais ou de produits chimiques.



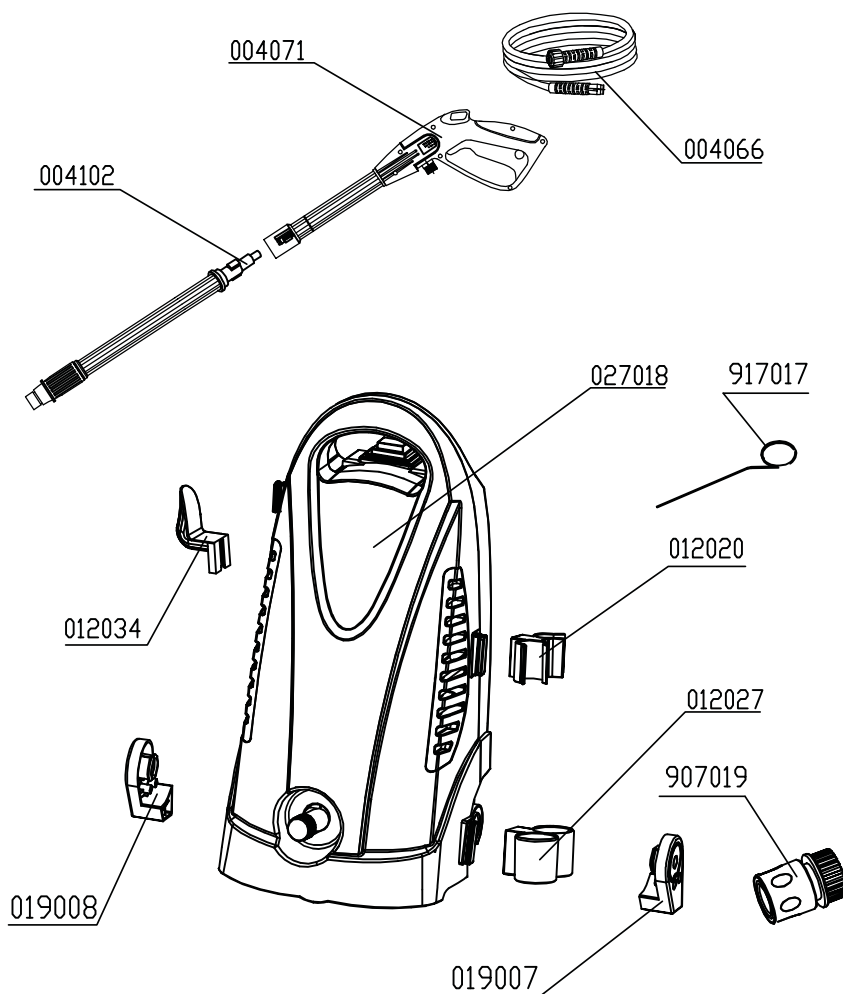
MISE EN GARDE : ne laissez pas de liquides tels que le fluide de freins, l'essence, les produits à base de pétrole, les huiles pénétrantes, etc., entrer en contact avec les pièces en plastique. Ces liquides contiennent des produits chimiques susceptibles d'endommager, d'affaiblir ou de détruire le plastique.



IMPORTANT : pour garantir la SÉCURITÉ et la FIABILITÉ de l'appareil, les réparations, l'entretien et les réglages doivent être faits par un centre de réparation agréé ou un autre centre de réparation qualifié, en utilisant toujours des pièces de rechange identiques aux pièces d'origine.

APPELEZ-NOUS D'ABORD!!

En cas de questions sur le fonctionnement et l'entretien de votre laveuse à pression, appelez-nous au 1-800-313-5111, de 7 h 30 à 16 h 30 HNE, ou envoyez-nous un courriel à l'adresse : earthwise@reelin.com.



LISTE DES PIÈCES

N° de pièce

Description

917017	Aiguille de nettoyage de pistolet
907019	Connecteur de tuyau de type américain
004071	Poignée du pistolet
004102	Tige du pulvérisateur
004066	Ensemble du tuyau à haute pression
012020	Crochet de suspension supérieur
012034	Crochet pour le cordon électrique
012027	Crochet de suspension inférieur
019008	Cache-roue droit
019007	Cache-roue gauche
027018	Unité principale

GARANTIE

GARANTIE LIMITÉE POUR LES LAVEUSES À PRESSION

Cet appareil est fabriqué par The Great States Corporation/American Lawn Mower Company. La société Great States Corporation/American Lawn Mower Company, basée à Shelbyville, en Indiana, fabrique des tondeuses depuis plus de 100 ans. Elle garantit au propriétaire d'origine que tout nouveau produit et que toute pièce sont exempts de tout vice de matériau ou de fabrication et s'engage à réparer ou remplacer dans le cadre de cette garantie tout produit ou toute pièce s'avérant défectueux, et ce, pendant un (1) an à partir de la date d'origine d'achat, à l'exception des cas ou circonstances indiqués ci-dessous. Une preuve d'achat (reçu de vente d'origine daté) doit accompagner toute réclamation.

CETTE GARANTIE N'EST PAS CESSIBLE ET NE COUVRE PAS :

Les produits vendus endommagés ou incomplets, vendus « tels quels », vendus après avoir été réparés, ou après avoir été utilisés comme équipement de location.

La livraison, l'installation, les réglages normaux expliqués dans le manuel d'utilisation.

Tout dommage ou toute responsabilité causé au cours de l'expédition, par une manipulation ou une installation incorrecte, une tension ou une installation électrique inadéquate, un entretien incorrect, des modifications incorrectes, l'utilisation d'accessoires ou de pièces non recommandés explicitement.

Les réparations nécessaires découlant d'un usage abusif par l'utilisateur ou de sa négligence, ou de toute négligence en matière d'installation, d'utilisation, d'entretien ou de rangement de l'appareil conformément aux instructions indiquées dans le manuel d'utilisation.

Les dommages causés par le froid, la chaleur, la pluie, l'humidité excessive, un environnement ou des produits corrosifs ou tout autre contaminant.

Les articles consommables qui s'usent au cours d'un cycle de vie normal.

Les défauts superficiels qui ne perturbent pas le bon fonctionnement de l'appareil.

Les frais de transport entre le client et le vendeur.

Les coûts de réparation et de transport des produits et pièces qui seront jugés comme n'étant pas défectueux.

TOUTE PERTE, TOUT DOMMAGE OU TOUT COÛT ACCIDENTEL, INDIRECT OU CONSÉCUTIF QUI POURRAIENT RÉSULTER DE TOUT DÉFAUT, TOUTE PANNE OU TOUT FONCTIONNEMENT DÉFECTUEUX DE L'APPAREIL. Certains états, territoires ou provinces interdisent toute restriction relative à la durée d'une garantie implicite. Les restrictions susmentionnées peuvent donc ne pas s'appliquer à votre cas.

TOUTE UTILISATION NON-RÉSIDENTIEL OU TOUTE UTILISATION COMMERCIALE ANNULE TOUTE GARANTIE.



830 Webster Street
Shelbyville, IN 46176
Téléphone : 1-800-313-5111
www.reelin.com/earthwise

Dans le cadre de son engagement à toujours améliorer la qualité, le fabricant se réserve le droit de faire tout changement de pièce ou de conception qu'il juge nécessaire.