

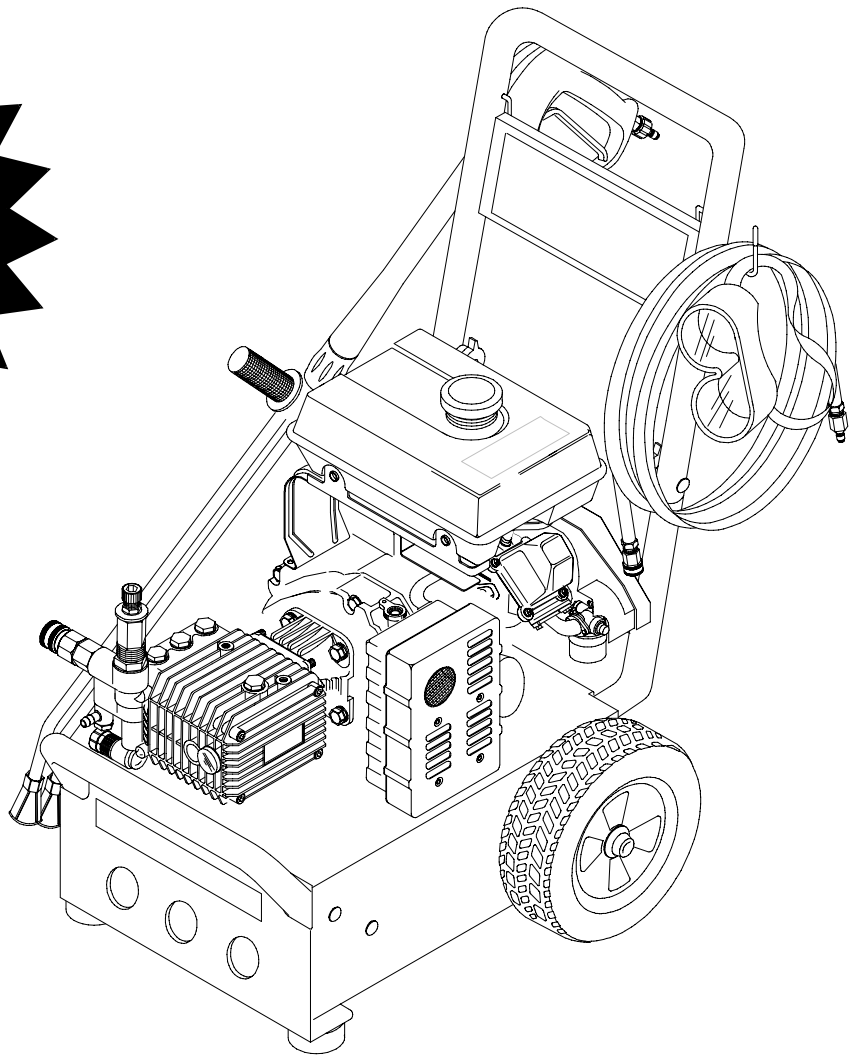
GENERAC

The Reliable Ones

2700PSI

Pressure Washer Owner's Manual

**Problems?
Questions?**
Before taking your unit
back to the store,
call the pressure washer
helpline at
1-800-270-1408
M-F 8-5 CT



Model No. 1293-2 (2700 psi High Pressure Washer) Manual No. B4724 Revision 0 (4/14/1999)



This symbol points out important safety instructions, which, if not followed, could endanger the personal safety and/or property of yourself and others. Read and follow all instructions in the manual before attempting to operate this unit.



IMPORTANT! — SAFETY RULES — IMPORTANT!



CAUTION! Always disconnect spark plug wire and place wire where it cannot contact spark plug to prevent accidental starting when setting up, transporting, adjusting or making repairs to your high pressure washer.

- Engine exhaust gases contain DEADLY carbon monoxide gas. This dangerous gas, if breathed in sufficient concentrations, can cause unconsciousness or even death. Operate this equipment only in the open air where adequate ventilation is available.

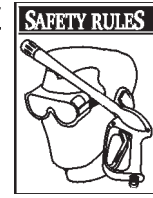


WARNING:



The engine exhaust from this product contains chemicals known to the State of California to cause cancer, birth defects, or other reproductive harm.

- Gasoline is highly FLAMMABLE and its vapors are EXPLOSIVE. Do not permit smoking, open flames, sparks or heat in the vicinity while handling gasoline. Avoid spilling gasoline on a hot engine. Allow unit to cool for 2 minutes before refueling. Comply with all laws regulating storage and handling of gasoline.
- Use this pressure washer in areas away from combustible materials, combustible fumes or dust.
- The high pressure equipment is designed to be used with Generac authorized parts only. If you use this equipment with parts that do not comply with minimum specifications, the user assumes all risks and liabilities.
- Some chemicals or detergents may be harmful if inhaled or ingested, causing severe nausea, fainting or poisoning.
- Do not allow CHILDREN to operate the pressure washer at any time.
- Operate engine only at governed speed. Running the engine at excessive speeds increases the hazard of personal injury. Do not tamper with parts which may increase or decrease the governed speed.
- Do not wear loose clothing, jewelry or anything that may be caught in the starter or other rotating parts.
- Before starting the pressure washer in cold weather, check all parts of the equipment and be sure ice has not formed there.
- Units with broken or missing parts, or without protective housing or covers should NEVER be operated.
- The muffler and air cleaner must be installed and in good condition before operating the pressure washer. These components act as spark arrestors if the engine backfires.
- Check the fuel system for leaks or signs of deterioration such as chafed or spongy hose, loose or missing clamps or damaged tank or cap. Correct all defects before operating the pressure washer.
- Do not spray flammable liquids.
- Never aim the gun at people, animals or plants.
- The high pressure stream of water that this equipment produces can pierce skin and its underlying tissues, leading to serious injury.
- High pressure spray can cause paint chips or other particles to become airborne and fly at high speeds.



IMPORTANT! — SAFETY RULES — IMPORTANT!

- Always wear eye protection when you use this equipment or when you are in the vicinity where the equipment is in use.
- Never move the machine by pulling on the high pressure hose. Use the handle provided on the top of the unit.
- Always be certain the spray gun, nozzles and accessories are correctly attached.
- Never use a spray gun which does not have a trigger lock or trigger guard in place and in working order.
- Use a respirator or mask whenever there is a chance that vapors may be inhaled. Read all instructions with the mask so you are certain it will provide the necessary protection against inhaling harmful vapors.
- High pressure spray may damage fragile items including glass. Do not point spray gun at glass when in the high pressure spray mode.
- Keep the hose connected to machine and the spray gun while the system is pressurized. Disconnecting the hose while the unit is pressurized is dangerous.
- Hold the spray gun firmly in your hands before you start the unit. Failure to do so could result in an injury from a whipping spray gun. Do not leave the spray gun unattended while the machine is running.
- The cleaning area should have adequate slopes and drainage to reduce the possibility of a fall due to slippery surfaces.
- Keep water spray away from electric wiring or fatal electric shock may result.
- Do not secure trigger gun in the pull-back (open) position.
- Do not by-pass any safety device on this machine.
- The muffler and engine heat up during operation and remain hot immediately after shutting it down. Avoid contact with a hot muffler or engine or you could be severely burned.
- Operate and store this unit on a stable surface.
- Never allow any part of the body to come in contact with the fluid stream. DO NOT come in contact with a fluid stream created by a leak in the high pressure hose.
- High pressure hose can develop leaks from wear, kinking, abuse, etc. Water spraying from a leak is capable of injecting material into skin. Inspect hose each time before using it. Check all hoses for cuts, leaks, abrasions or bulging of cover, or damage or movement of couplings. If any of these conditions exist, replace hose immediately. Never repair high pressure hose. Replace it with another hose that meets minimum pressure rating of your pressure washer.



CONGRATULATIONS on your purchase of a GENERAC high pressure washer. It has been designed, engineered and manufactured to give you the best possible dependability and performance.

Should you experience any problem you cannot easily remedy, please contact your nearest GENERAC Authorized Service facility, or call the 1-800 number listed on the front of this manual. We have competent, well-trained technicians and the proper tools to service or repair this unit.

Please read and retain this manual. The instructions will enable you to assemble and maintain your high pressure washer properly.

CUSTOMER RESPONSIBILITIES

- Read and observe the safety rules.
- Follow regular schedule in maintaining, caring for and using your high pressure washer.
- Follow the instructions under "Customer Responsibilities" and "Storage" sections of this Owner's Manual.

Model Number	1293-2
Serial Number	_____
Date of Purchase	_____

The model and serial numbers will be found on a decal attached to the pressure washer. Record both serial number and date of purchase and keep in a safe place for future reference.

PRODUCT SPECIFICATIONS

Pressure Washer Specifications

- Outlet Pressure** 2700 psi
- Flow Rate** 2.7 gallons per minute (gpm)
- Detergent Mix** Use undiluted detergent approved for pressure washers
- Water Supply Temperature** Not to exceed 140°F
- Automatic Cool Down System** Will cycle when water reaches 140°-145°F

Engine Specifications

- Engine Model** Generac Power Systems
- Rated Horsepower** . . 7.8
- Displacement** 220cc
- Spark Plug**
- Type** RC-12YC
- Set Gap To:** . . 0.030 inch (0.76mm)
- Gasoline Capacity** . . 4.2 U.S. quarts
- Oil** SAE 30

In the State of California a spark arrestor is required by law (Section 4442 of the California Public Resources Code). Other states may have similar laws. Federal laws apply on federal lands.

NOTE: The spark arrestor must be maintained in effective working order by the owner/operator.

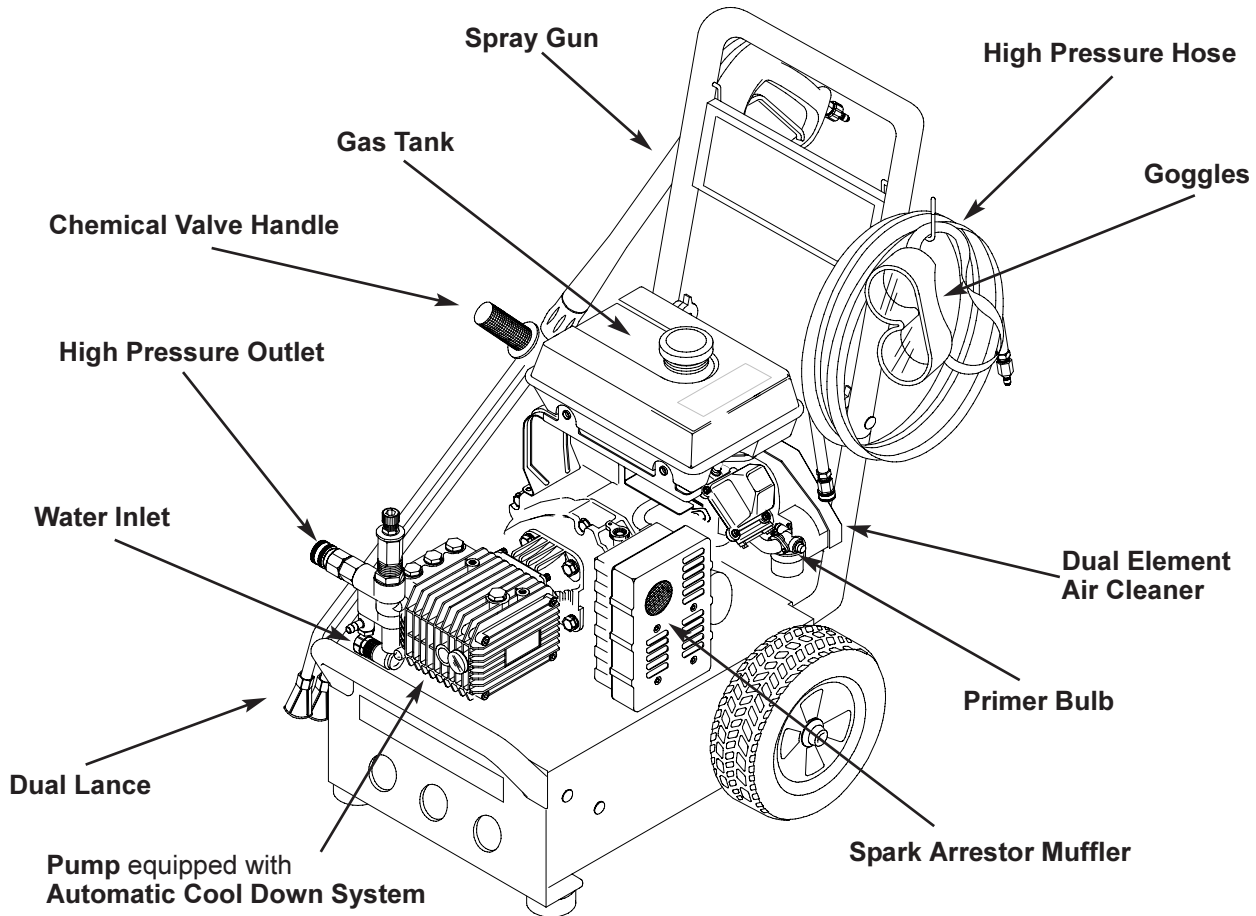
You can order a replacement spark arrestor through your authorized Generac service facility. See Engine Owner's Manual for part number.



KNOW YOUR PRESSURE WASHER

Read this owner's manual and safety rules before operating your high pressure washer.

Compare the illustrations with your high pressure washer to familiarize yourself with the locations of various controls and adjustments. Save this manual for future reference.



Automatic Cool Down System — Cycles water through pump when water reaches 140°-145°F. Warm water will discharge from pump under base of unit. This system prevents internal pump damage.

Chemical Valve Handle — The handle allows you to select the high pressure spray or the chemical spray (located on the wand).

Dual Element Air Cleaner — Uses a dry type filter element and foam pre-cleaner to limit the amount of dirt and dust that gets in the engine.

Dual Lance — Must be connected to the spray gun.

Gas Tank — Fill with regular unleaded gasoline.

Goggles — Always use the enclosed goggles or other eye protection when running your pressure washer.

High Pressure Hose — Connect one end to water pump and the other end to spray gun.

High Pressure Outlet — Connection for high pressure hose.

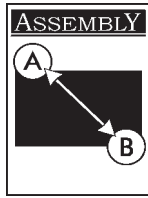
Primer Bulb — Used for starting a cold engine.

Pump — Develops high pressure.

Spark Arrestor Muffler — Exhaust muffler lowers engine noise and is equipped with a spark arrestor screen, a USDA mandate for engine use in national forests and parks.

Spray Gun — Controls the application of water and chemical onto cleaning surface with trigger device. Includes safety latch.

Water Inlet — Connection for garden hose.



Read entire owner's manual before you attempt to assemble or operate your new pressure washer. Your new pressure washer has been assembled at the factory with the exception of those parts left unassembled for shipping purposes.

REMOVE PRESSURE WASHER FROM CARTON

- Remove parts box included with pressure washer.
- Slice two corners at guide handle end of carton from top to bottom so the panel can be folded down flat, then remove all packing material.
- Roll pressure washer out of carton.

Carton Contents

Items in the carton include:

- Main Unit
- Manual Bag
 - Owner's Manual
 - Engine Owner's Manual
 - Nozzle Cleaning Kit
 - O-Ring Maintenance Kit
 - Sta-Bil® Brochure
 - Sta-Bil®
 - Owner Registration Card
- Parts Box (which includes the following):
 - Video
 - Engine Oil
 - Wireform
 - Goggles
 - Spray Gun
 - Dual Lance
 - High Pressure Hose
 - Handle
 - Handle Parts Bag (which includes the following):
 - 2 carriage bolts
 - 2 knobs

PREPARING PRESSURE WASHER FOR USE

If you have any problems with the assembly of your pressure washer or if parts are missing or damaged, call the Pressure Washer Helpline at **1-800-270-1408**.

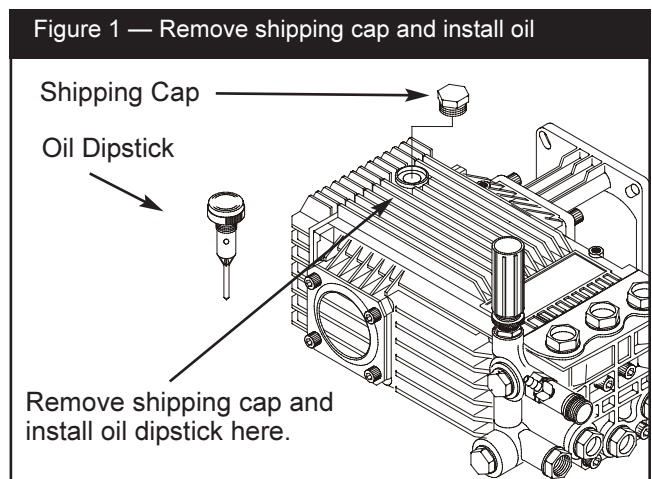
To prepare your pressure washer for operation you will need to perform these tasks:

- Remove shipping cap from your pump and install oil dipstick.
- Attach the handle and attach the wire form that holds high pressure hose and spray gun.
- Connect high pressure hose to the spray gun and the pump and connect water supply to the pump.
- Add oil to engine crankcase.
- Add fuel to fuel tank.

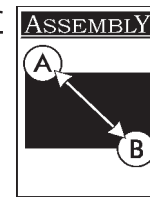
Remove Shipping Cap / Install Oil Dipstick

To prevent oil from leaking from the pump, a shipping cap has been installed on the oil breather of the pump.

You must remove the shipping cap and the install oil dipstick for your pressure washer to operate properly (Figure 1).

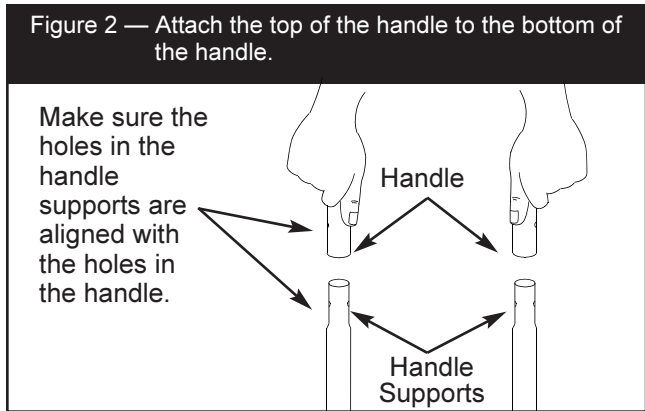


Running unit with the shipping cap installed will damage the pump and void your warranty.



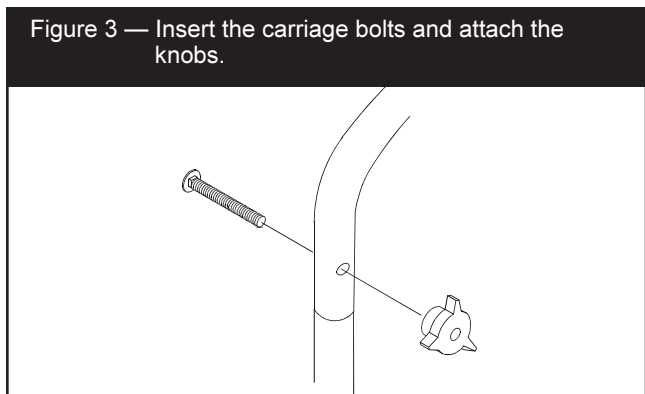
Attach the Handle

- Place the handle onto the bottom of the handle supports already connected to the main unit. Make sure the holes in the handle align with the holes in the handle supports (Figure 2).

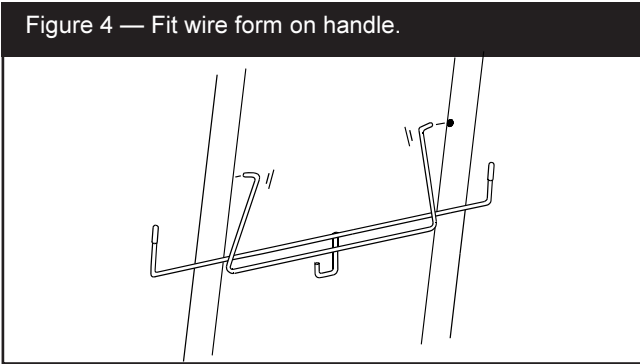


Note: It may be necessary to move the handle supports from side to side in order to align the handle so it will slide over the handle supports.

- Insert the carriage bolts from the outside through the holes on the handle and attach the plastic knobs on the inside. Tighten the knobs by hand (Figure 3).



- Insert the wire support with the longer arm positioned on the left. From this view (from rear of unit), the hook resembles a "J" (Figure 4).

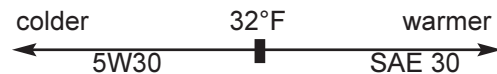


Add Engine Oil

WARNING! Any attempt to crank or start the engine before being properly serviced with the recommended oil will result in an engine failure.

Note: When adding oil to the engine crankcase, use only high quality detergent oil rated with API service classification SF,SG, SH or SH/CD rated SAE 30 weight.

Select the oil's viscosity grade according to your expected operating temperature:

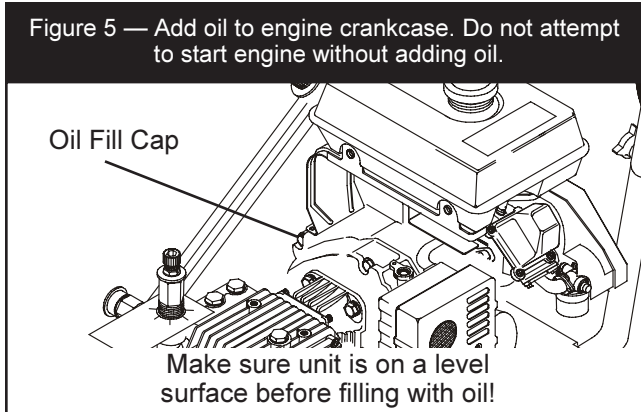
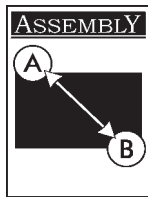


Do Not Use SAE 10W40 Oil.

Although multi-viscosity oils (5W30, 10W30, etc.) improve starting in cold weather, these multi-viscosity oils will result in increased oil consumption when used above 32°F. Check your engine oil level more frequently to avoid possible damage from running low on oil.

To fill unit with oil:

- Place pressure washer on a level surface.
- Clean area around oil fill and remove oil fill cap (Figure 5).



- Pour oil into the oil fill opening until it reaches point of overflowing. **DO NOT OVERFILL.**

Note: The bottle of oil included with your pressure washer contains more oil than the capacity of the crankcase.

- Install oil fill cap, hand tighten securely.

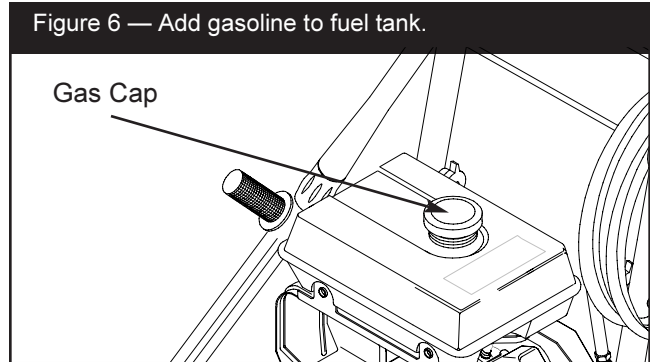
Note: Check oil often during engine break-in.

Add Gasoline

! DANGER! Never fill fuel tank indoors. Never fill fuel tank when engine is running or hot. Do not smoke when filling fuel tank.

! WARNING! Never fill fuel tank completely full. Fill tank to about 1/2" below the bottom of the filler neck to provide space for fuel expansion. Wipe away any fuel spillage from engine and equipment before starting.

- Use fresh, clean fuel and store in approved containers. Use clean fill funnels. Never use "stale" gasoline left over from last season or gasoline stored for long periods.
- Clean area around gas cap. Remove cap (Figure 6).

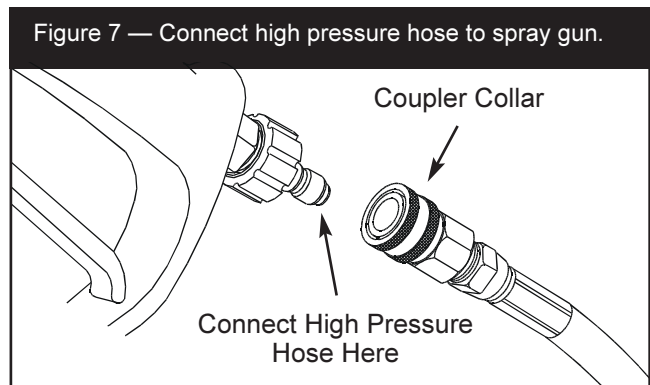


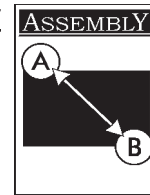
- Add "UNLEADED" gasoline, slowly, to fuel tank. Use a funnel to prevent spillage.
- Install gas cap and wipe up any spilled gasoline.

Connect Hose and Water Supply to Pump

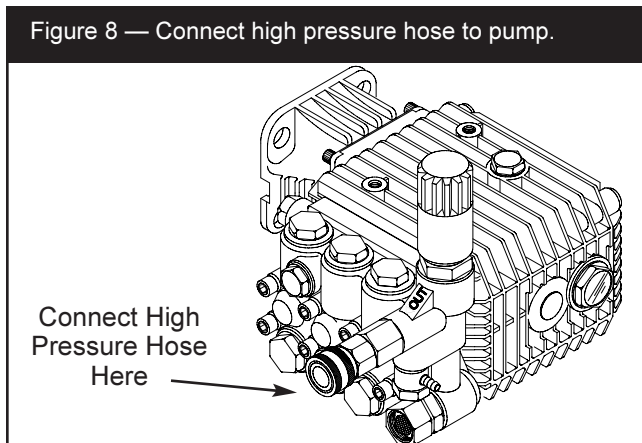
! WARNING! You must assemble wand and attach all hoses before you start engine. Starting engine without all hoses connected and water supplied will damage pump.

- Uncoil high pressure hose and attach hose quick connect coupler to the fitting on the spray gun (Figure 7). To engage the fitting, pull back on the coupler collar, insert the gun fitting, and release the collar. Pull on the gun to make sure it is securely in place.

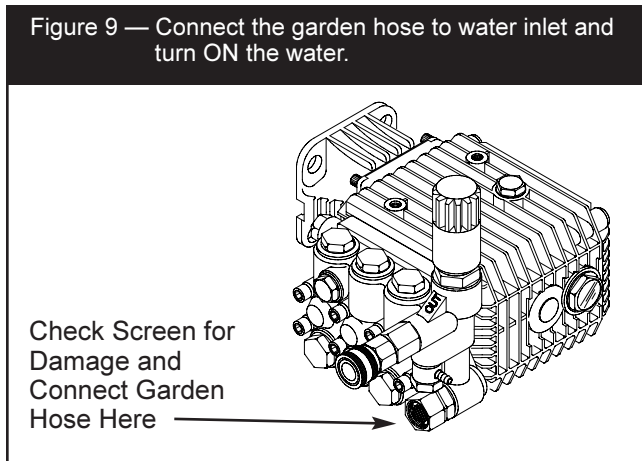




- Similarly, attach other end of high pressure hose to the high pressure quick connect fitting on the pump (Figure 8). Pull on the hose to make sure it is securely attached to the pump.



- Before you connect your garden hose to the water inlet, inspect the water inlet screen (see Figure 9). Clean the screen if it contains debris or have it replaced if damaged. **Do not run the pressure washer if the water inlet screen is damaged.**
- Connect garden hose to water inlet. Tighten firmly by hand (Figure 9).



- Turn on the water (open valve completely).
- Squeeze trigger on gun to purge pump system of air and impurities. Squeeze until a steady stream appears.



WARNING! Before starting the pressure washer, be sure you are wearing adequate eye protection.

- Attach dual lance to spray gun. Tighten by hand.

CHECKLIST BEFORE STARTING ENGINE

In review, look back over the assembly to see if you have performed all of the following.

- Check for properly tightened hose connections (high pressure and water supply). Make sure the hoses have no kinks, cuts, or damage.
- Check that oil has been added to proper level in engine crankcase before trying to start the pressure washer.
- Add proper gasoline to fuel tank.
- Provide proper water supply (not to exceed 140°F).
- Be sure to read “Safety Rules” and “Operation” sections before using the pressure washer.




HOW TO USE YOUR PRESSURE WASHER

If you have any problems operating your pressure washer, please call the pressure washer helpline at **1-800-270-1408**.

How to Start Your Engine

The best way to start your engine-powered pressure washer for the first time is to follow these instructions step-by-step. This starting information also applies whenever you start the engine after you have let the pressure washer sit idle for at least a day.

- This pressure washer requires a water source that flows at least 3.0 gallons per minute. Do not attempt to siphon water from a non-pressurized container. Place the pressure washer close enough to an outside water source so that no more than 50' of garden hose is needed.
- Check that the high pressure hose is tightly connected to the spray gun and to the pump. See ASSEMBLY section for illustrations.
- Connect the garden hose to water inlet on the pressure washer pump and turn the water valve on all the way.

 **WARNING!** Do not run pump without the water supply connected and turned on. You must follow this caution or the pump will be damaged.

- Remove dual lance from the spray gun.
- **Squeeze trigger on spray gun until a steady stream of water appears.**
- Apply the safety latch to the spray gun trigger (Figure 10).



- Place the Run/Stop switch to “Run”.
- Press the primer bulb 3 times, waiting 2 seconds between each push

Note: For a warm engine, do not prime.

- Grasp rope handle and pull slowly until you feel some resistance. Then pull cord rapidly to overcome compression, prevent kickback and start the engine. Let rope return to starter slowly.

If after 3 pulls the engine fails to start, disengage the spray gun safety latch, squeeze the trigger to relieve water pressure, re-engage the spray gun safety latch and pull the recoil starter handle rapidly (Max. 3 pulls).


How to Stop Your Pressure Washer

- Move the Run/Stop switch to “Stop”.
- Simply shutting off the engine will not release pressure in the system. Squeeze trigger on the spray gun to relieve pressure in the hose.

Note: A small amount of water will spray out when you release the pressure.

How to Use the Spray Gun and Dual Lance

You now should know how to **START** your pressure washer and how to **STOP** it. The information in this section will tell you how to adjust pressure and apply chemicals using the spray gun and dual lance.

 **DANGER!** Never put hands in front of nozzle.

- For most effective cleaning, keep spray nozzle between 8 to 24 inches away from cleaning surface.
- If you get spray nozzle too close, especially using high pressure, you may damage the cleaning surface.
- Do not get closer than 6 inches when cleaning automobile tires.

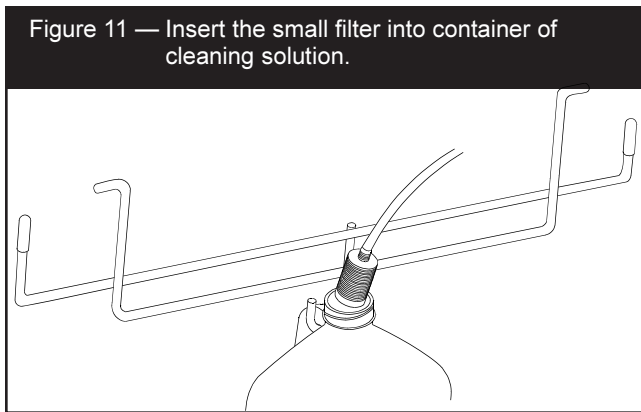


Applying Detergent

IMPORTANT: Use soaps designed specifically for pressure washers. Household detergents could damage the pump.

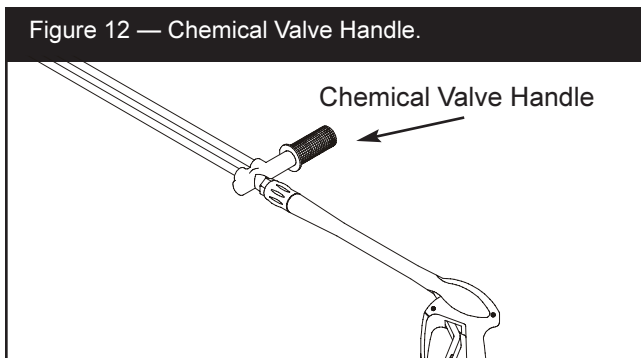
To apply detergent follow these steps:

- Prepare the detergent solution as required by chemical manufacturer. See chemical bottle for any instructions
- Hang the detergent solution on “J” hook of the wireform on the handle.
- Place small filter end of the chemical injecting tube into the detergent container (Figure 11).



CAUTION: Keep the plastic injector tube from coming in contact with the hot muffler. This will damage the plastic tube. When inserting the filter into a cleaning agent bottle, route the tube so as to keep it from inadvertently contacting the hot muffler.

- Open the chemical valve handle (Figure 12).



IMPORTANT: Detergent **cannot** be applied without the water source turned on.

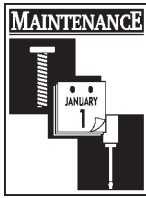
- Make sure garden hose is connected to water inlet. Check that high pressure hose is connected to spray gun and pump (see ASSEMBLY section starting on page 6), and start engine.
- Apply detergent to a dry surface, starting from the bottom and working up to avoid streaking.
- Allow the detergent to soak in for 3-5 minutes before washing and rinsing. Reapply to prevent surface from drying.
- For washing, start at lower portion of area to be washed and work upward, using long, even, overlapping strokes.

Pressure Washer Rinsing

WARNING: Be extremely careful if you must use the pressure washer from a ladder, scaffolding or any other relatively unstable location. Pressure in a running washer builds as you climb. When you press the trigger, the recoil from the initial spray could force you to fall. The high pressure spray could also force you to fall if you are too close to the cleaning surface.

For Rinsing:

- Remove the chemical injector hose from the chemical bottle to stop detergent from flowing. Spray until the detergent has cleared from the gun.
- Turn the chemical valve handle clockwise fully until it stops. This puts the gun into high pressure mode.
- Keep the spray gun a safe distance from the area you plan to spray.
- Apply a high pressure spray to a small area and then check the surface for damage. If no damage is found, you can assume it is okay to continue cleaning.
- Start at top of area to be rinsed, working down with same overlapping strokes as you used for cleaning.



Automatic Cool Down System (Thermal Relief)

If you run the engine on your pressure washer for 3-5 minutes without pressing the trigger on the spray gun, circulating water in the pump can reach a temperature between 140–145°F. When the water reaches this temperature, the automatic cool down system engages and cools the pump by **discharging the warm water onto the ground**. This system prevents internal damage to the pump.

GENERAL MAINTENANCE RECOMMENDATIONS

The warranty of the high pressure washer does not cover items that have been subjected to operator abuse or negligence. To receive full value from the warranty, operator must maintain high pressure washer as instructed in this manual.

- Some adjustments will need to be made periodically to properly maintain your high pressure washer.
- All adjustments in the Service and Adjustments section of the engine owner's manual should be made at least once each season.
- Once a year you should clean or replace the spark plug, clean or replace the air filter and check the gun and wand assembly for wear. A new spark plug and clean air filter assure proper fuel-air mixture and help your engine run better and last longer.

BEFORE EACH USE

- Check engine oil level.
- Check water inlet screen for damage.
- Check high pressure hose for leaks.
- Check detergent inlet hose and filter for damage.
- Check gun and wand assembly for leaks.

PRESSURE WASHER MAINTENANCE

Check and Clean Inlet Screen

Examine screen on the water inlet. Clean if the screen is clogged or replace if screen is damaged.

Check High Pressure Hose

The high pressure hose can develop leaks from wear, kinking, or abuse. Inspect hose each time before using it. Check for cuts, leaks, abrasions or bulging of cover, damage or movement of couplings. If any of these conditions exist, replace hose immediately.



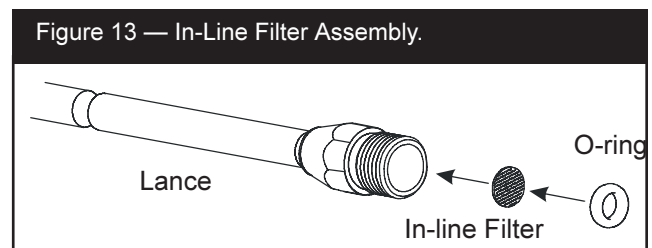
DANGER! Water spraying from a leak is capable of injecting material into skin. Inspect hose each time before using it. Never repair a high pressure hose. Replace it with another hose that meets the maximum pressure rating of your pressure washer.

Check Gun and Wand

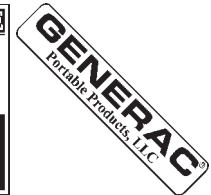
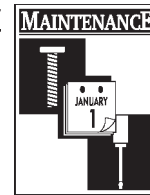
Examine hose connection to gun and make sure it is secure. Test trigger by pressing it and making sure it springs back into place when you release it. Put safety latch in **on** position and test trigger. You should not be able to press trigger.

Check In-Line Filter

Refer to Figure 13 and service the in-line filter if it becomes clogged, as follows:



1. Detach gun and lance from high pressure hose. Detach lance from gun and remove o-ring and screen from lance. Flush the screen, gun and lance with clean water to clear debris.



2. If the screen is damaged, the O-ring kit contains a replacement in-line filter screen and an o-ring. If undamaged, reuse screen.
3. Place the in-line filter screen into the threaded end of the lance. Direction does not matter. Push the screen in with the eraser end of a pencil until it rests flat at the bottom of the opening. Take care to not bend the screen.
4. Place the o-ring into the recess. Push the o-ring snugly against the in-line filter screen.
5. Assemble the lance to the spray gun, as described earlier in this manual.

Check Detergent Hose

Examine the filter on the detergent hose and clean if clogged. Hose should fit tightly on barbed fitting. Examine hose for leaks or tears. Replace the filter or hose if either is damaged.

Purge Pump of Air and Contaminants

To remove the air from the pump, follow these steps:

- Set up the pressure washer as described in the ASSEMBLY section and connect the water supply.
- Remove the dual lance from the gun.
- Squeeze the trigger on the gun and hold.

To remove any contaminants from the pump, follow these steps:

- Set up the pressure washer as described in the ASSEMBLY section, and connect the water supply.
- Remove the dual lance from the spray gun.
- Start the engine according to instructions in OPERATION section.
- Squeeze the trigger on the spray gun and hold.
- When the water supply is steady and constant, engage the safety latch and refasten the dual lance.

Cleaning Chemical Injector Hose

If you have used the chemical injector hose you must flush it with clean water before stopping the engine.

To clean the chemical injector hose:

- Place the small filter end of the chemical injector hose in a bucket of clean water.
- Open the chemical valve handle fully on the lance by turning it counterclockwise. This puts the gun in low pressure.
- Squeeze the spray gun trigger for 1 to 2 minutes to flush the chemical injector hose.
- Shut off the engine.

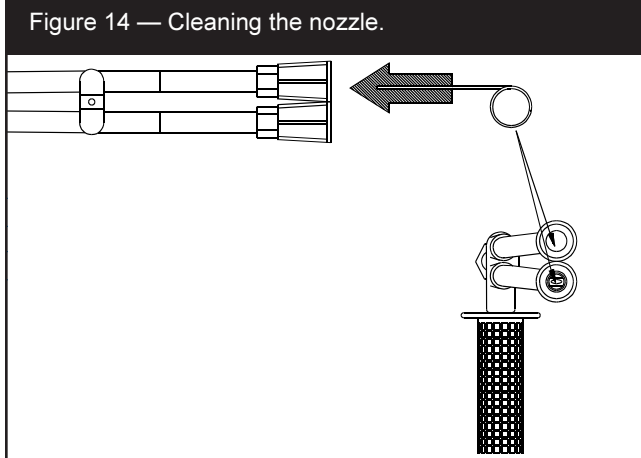
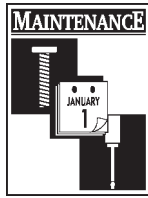
Important: Simply shutting OFF engine will not release pressure in the system. **When engine has shut down, squeeze the trigger on the gun to relieve water pressure in the hose.**

Nozzle Maintenance

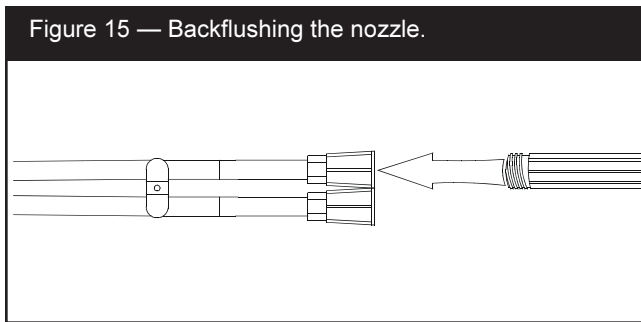
If the nozzle on the dual lance becomes restricted or clogged with foreign materials, such as dirt, excessive pump pressure may develop. If this nozzle becomes partially clogged, it can cause a pulsing sensation during use. This generally is not a pump related problem, but rather a clogged or partially restricted nozzle.

If the nozzle becomes clogged or partially restricted, immediately clean the nozzle with the kit included with your pressure washer by following these instructions:

- Shut off the engine and turn off the water supply.
- Press trigger to relieve pressure.
- Separate the dual lance from the gun.
- Use the wire included in the kit (Figure 14) or a small paper clip to free the foreign materials clogging or restricting the nozzle.



- Remove additional debris by back flushing water supply through dual lance (Figure 15). Back flush between 30 to 60 seconds. Back flush both lances by turning chemical valve handle.
- Reconnect the dual lance to the spray gun.



- Reconnect the water supply, turn on the water, and start the engine.
- Test the pressure washer by operating with nozzle in the high and in the low position.

ENGINE MAINTENANCE

See the Engine Owner's Manual for instructions on how to properly maintain the engine.

SERVICE AND ADJUSTMENTS

See the engine owner's manual for instructions on how to properly service the engine.

PREPARING THE UNIT FOR STORAGE

Water should not remain in the unit for long periods of time. Sediments of minerals can deposit on pump parts and "freeze" pump action. If you do not plan to use the pressure washer for more than 30 days, follow this procedure:

1. Flush chemical injector hose by placing the injector filter into a pail of clean water while running pressure washer and squeezing the spray gun trigger with the dual lance in low pressure mode. Flush for two minutes.
 2. Shut off the engine and let it cool, then remove all hoses.
 3. Place Run/Stop Switch in STOP position.
 4. Empty the pump of all liquids by pulling recoil handle about 6 times. This should remove most of the liquid in the pump.
- NOTE:** To protect unit from freezing temperatures, draw R. V. Antifreeze (Antifreeze without alcohol) into pump by pouring antifreeze into a 3-foot section of garden hose connected to inlet adapter and pulling recoil handle twice.
5. Store in a clean, dry area.

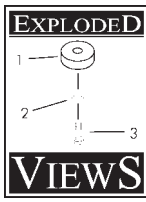
STORING THE ENGINE

Using a fuel additive such as STA-BIL®, or equivalent, will prevent the build up of gum and varnish in the fuel system. Refer to the engine owner's manual for further information.

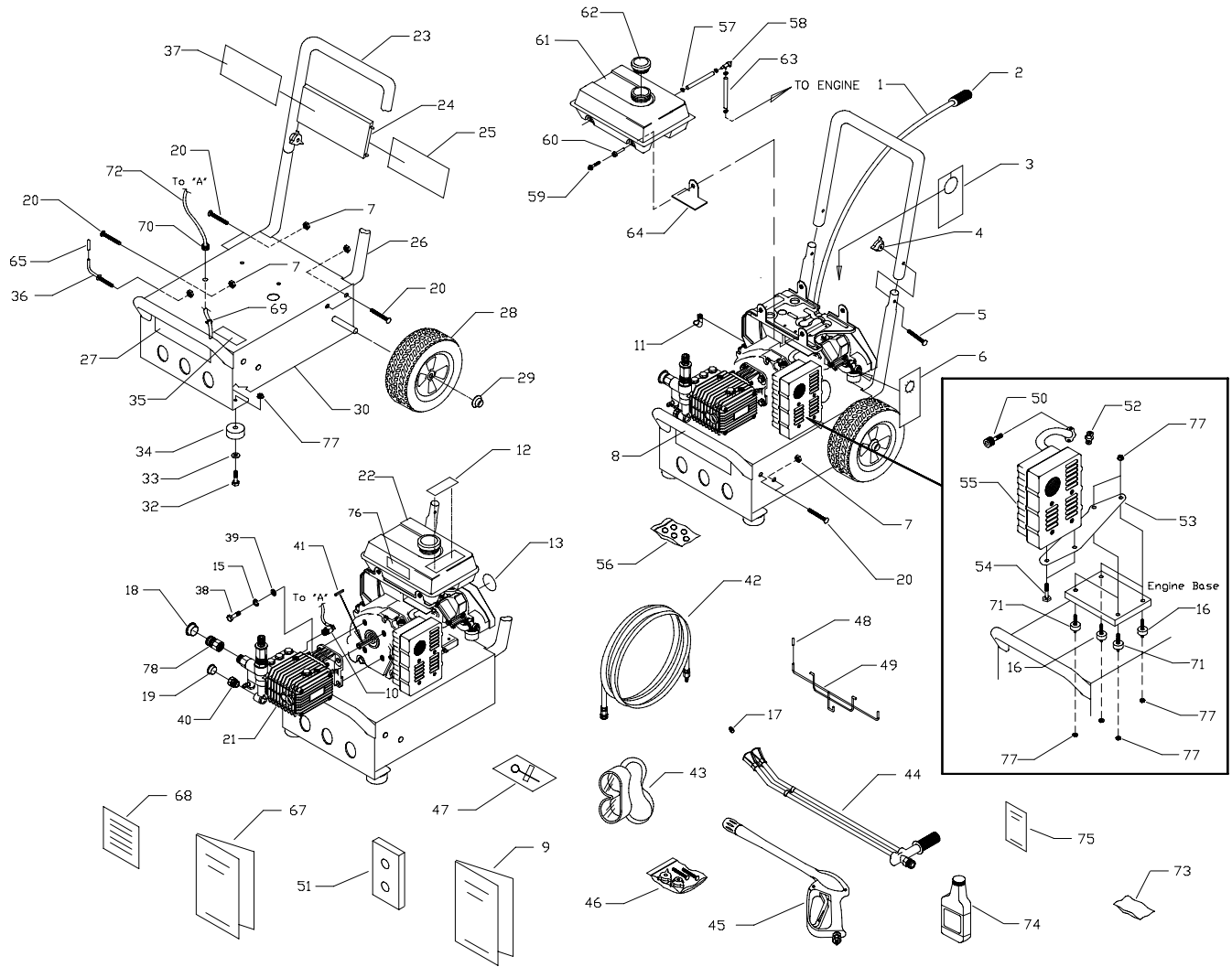


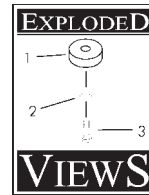
TROUBLESHOOTING POINTS

Problem	Cause	Solution
Pump has the following problems: Failure to produce adequate pressure, erratic pressure, chattering, loss of pressure or low water volume.	<ol style="list-style-type: none"> 1. Lance in low pressure. 2. Water inlet is blocked. 3. Inadequate water supply. 4. Garden hose is kinked or leaking. 5. Clogged water inlet screen. 6. Water supply is over 140°F. 7. Outlet hose is blocked or leaks. 8. Gun leaks. 9. Nozzle is obstructed. 10. In-line filter obstructed. 11. Pump is faulty. 	<ol style="list-style-type: none"> 1. Adjust chemical valve handle to high pressure. 2. Clear inlet. 3. Make sure you have at least a 3.0 gpm flow for your garden hose. 4. Straighten garden hose or patch leak. 5. Check and clean water inlet screen. 6. Provide cooler water supply. 7. Clear blocks in outlet hose. Replace immediately if leaking. 8. Replace gun. 9. Clear nozzle. 10. Remove and clean in-line filter. 11. Contact Generac service facility.
Detergent fails to mix with spray.	<ol style="list-style-type: none"> 1. Chemical injector hose is not submerged. 2. Chemical injector hose is clogged. 3. Lance is in high pressure mode. 	<ol style="list-style-type: none"> 1. Insert chemical line into detergent. 2. Clean or replace filter/chemical injector hose. 3. Put dual lance into low pressure mode.
Engine runs well when not spraying but “bogs down” when trigger is squeezed.	<ol style="list-style-type: none"> 1. Engine speed is too slow. 	<ol style="list-style-type: none"> 1. Contact Generac service facility.
Engine will not start; or starts and runs rough.	<ol style="list-style-type: none"> 1. Low oil level. 2. Dirty air cleaner. 3. Out of gasoline. 4. Stale gasoline. 5. Spark plug wire not connected to spark plug. 6. Bad spark plug. 7. Water in gasoline. 8. Excessively rich fuel mixture. 9. Intake valve stuck open or closed. 10. Engine has lost compression. 	<ol style="list-style-type: none"> 1. Fill crankcase to proper level. 2. Clean or replace air filter. 3. Fill fuel tank. 4. Drain gas tank; fill with fresh fuel. 5. Connect wire to spark plug. 6. Replace spark plug. 7. Drain as tank fill with fresh fuel. 8. Contact Generac service facility. 9. Contact Generac service facility. 10. Contact Generac service facility.
Engine shuts down during operation.	<ol style="list-style-type: none"> 1. Out of gasoline. 2. Low oil level. 	<ol style="list-style-type: none"> 1. Fill fuel tank. 2. Fill crankcase to proper level.
Engine lacks power.	<ol style="list-style-type: none"> 1. Dirty air filter. 	<ol style="list-style-type: none"> 1. Replace air filter.
Engine “hunts” or falters.	<ol style="list-style-type: none"> 1. Engine is not operating properly. 	<ol style="list-style-type: none"> 1. Contact Generac service facility.



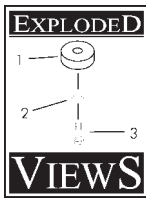
EXPLODED VIEW – PRESSURE WASHER



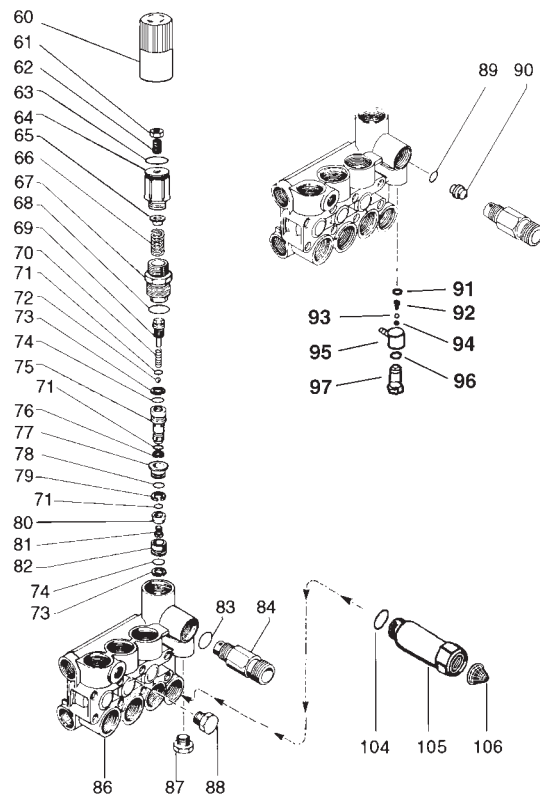
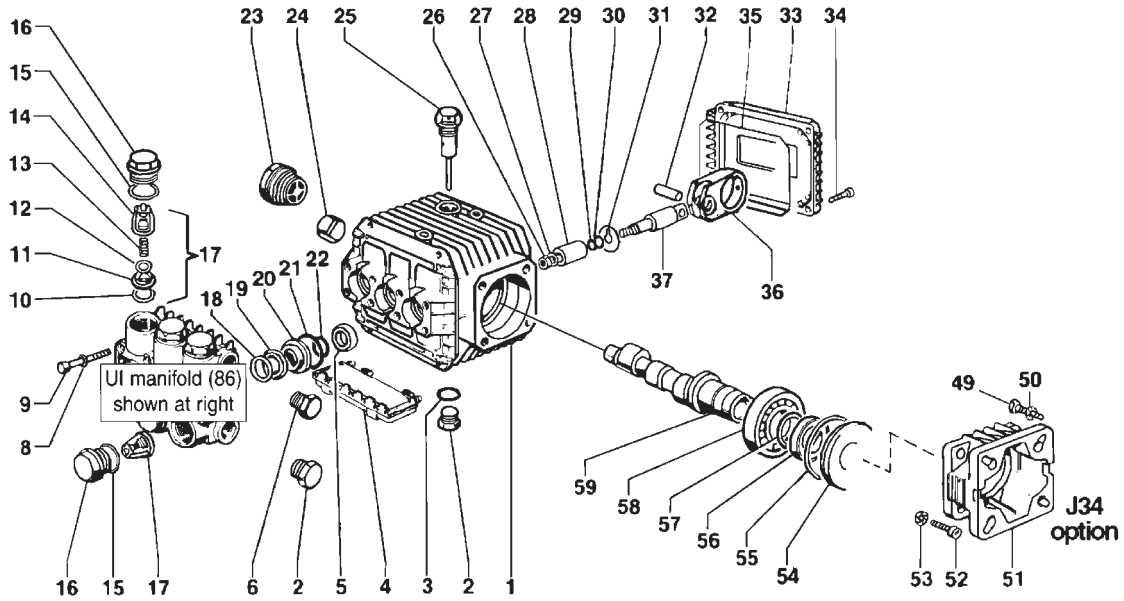


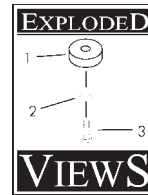
PARTS LIST – PRESSURE WASHER

Item	Part #	Qty	Description	Item	Part #	Qty	Description
1	A1040D	1	HOSE, 4-1/2' Chemical Clear	41	23139B	1	KEY, 3/16" Square
2	A1041	1	FILTER, Chemical Hose	42	B4719	1	HOSE, High Pressure
3	70453	1	TAG, Warning Oil	43	87815	1	GOGGLES, Safety
4	97178	2	KNOB, Handle 1/4" - 20	44	B2140D	1	LANCER, Dual
5	31669	2	BOLT, Carriage, 1/4" - 20 x 1-3/4"	45	B4720	1	GUN, High Pressure
6	B1210A	1	TAG, Start Instructions	46	B2203	1	KIT, Handle Fastening
7	99583	8	NUT, Flange Lock 5/16"-18	47	B2508	1	KIT, Cleaning
8	B1982	1	BUMPER	48	B1460	2	CAP, Vinyl (black)
9	A8926	1	MANUAL, Engine	49	B2168A	1	HANGER, Hose, Gun, Chem Bottle
10	B2727	1	VALVE, Thermal Relief	50	40976	2	SHCS, M8 1.25 x 20
11	B1232	1	CLAMP, Hose 7/16" Dia.	51	B2431	1	VIDEO
12	21786	1	DECAL, Danger	52	89476	1	GASKET, Exhaust
13	91682B	1	DECAL, Recoil	53	83208	1	BRACKET, Muffler
15	22129	4	LOCK WASHER, M8	54	66476	2	HHCS, M6 1.0 x 12
16	21217	2	MOUNT, Rubber Shock M8	55	83071	1	MUFFLER
17	B2141D	1	NOZZLE, Replacement	56	B3062	1	KIT, Maintenance
18	B4757	1	CAP, Inlet Quick Connect	57	48031C	3	CLAMP, Hose
19	97098	1	CAP, Garden Hose Inlet	58	96193	1	VALVE, Fuel Shut Off
20	B2043	7	BOLT, 5/16"-18 x 1-3/4" Carriage	59	96001	4	BOLT, M6 - 1.0 x 21 Shoulder
21	B3169A	1	ASSEMBLY, Pump	60	96002	4	BUSHING, Tank
22	NSP	1	ENGINE	61	94994	1	TANK, 1 Gal Fuel
23	B1983	1	HANDLE	62	95549	1	CAP, Fuel
24	B1631A	1	BILLBOARD, Plastic	63	30340C	1	HOSE, Fuel - 1/4" I.D.
25	B1932	1	DECAL, Instructions	64	21545	1	SHIELD, Heat
26	B1981	2	SUPPORT, Handle	65	B2516	1	CAP, Vinyl (black)
27	B2192	1	DECAL, Generac	67	B4724	1	MANUAL
28	B1760	2	ASSEMBLY, 10" Tire & Wheel	68	88681	1	CARD, Owner Registration
29	75402	2	PUSH NUT, 1/2" Dia.	69	48031B	1	CLAMP, Hose 3/8"
30	AB1770	1	BASE	70	30809	1	GROMMET, Rubber
32	42909	2	HHCS, M8 1.25 x 30	71	B3800	2	MOUNT, Rubber Shock, M8
33	50190	2	WASHER, M8 Flat	72	B3107A	1	HOSE, Thermal Relief
34	27007	2	MOUNT, Donut Type Vibration	73	85883	1	STA-BIL
35	20566	1	DECAL, Generac #1-800	74	B3061	1	OIL, 28 oz
36	B2150	1	HOOK, Gun	75	83831	1	BROCHURE, Sta-Bil
37	B3761	1	DECAL, Logo	76	81886	1	DECAL, Sta-Bil
38	22147	4	HHCS, 5/16" - 24 x 1"	77	67989	10	NUT, Flange special
39	22145	4	FLAT WASHER, M8	78	95458	1	QUICK DISCONNECT, Hose to Gun
40	95320	1	CONNECTOR, Garden Hose				



EXPLODED VIEW – PUMP





PARTS LIST – PUMP

Item	Part #	Qty	Description	Item	Part #	Qty	Description
1	100-92293P	1	Crankcase	55	129-92293P	1	O-Ring
2	101-92293P	1	Plug	56	130-92293P	1	Oil Seal
3	102-92293P	1	O-Ring	57	131-92293P	1	Snap Ring
4	103-92293P	1	Protector	58	132-92293P	1	Bearing
5	104-B3169	3	Oil Seal	59	146-B3169	1	Crankshaft
6	104-92293P	1	Plug	60	134-92293P	1	Knob
8	106-92293P	8	Washer	61	148-B3169	1	Bolt
9	107-92293P	8	Screw	62	149-B3169	1	Nut
10	108-B3169	6	O-Ring	63	137-92293P	1	O-Ring
11	109-B3169	6	Valve Seat	64	138-92293P	1	Pressure Regulator
12	110-B3169	6	Valve Plate	65	152-B3169	1	Seal
13	111-B3169	6	Spring	66	140-92293P	1	Spring
14	112-B3169	6	Valve Cage	67	154-B3169	1	Bushing
15	108-92293P	6	O-Ring	68	108-92293P	1	O-Ring
16	114-B3169	6	Valve Cap	69	156-B3169	1	Stopper
17	115-B3169	6	Valve Assy.	70	157-B3169	1	Spring
18	116-B3169	3	Head Ring	71	158-B3169	3	O-Ring
19	117-B3169	3	Packing	72	159-B3169	1	Ball
20	118-B3169	3	Packing Retainer	73	160-B3169	2	Back Up Ring
21	119-B3169	3	O-Ring	74	161-B3169	2	O-Ring
22	120-B3169	3	O-Ring	75	162-B3169	1	Piston
23	110-92293P	1	Sight Gauge	76	163-B3169	1	Back Up Ring
24	111-92293P	1	Needle Bearing	77	164-B3169	1	Valve Guide
25	94504	1	Oil Dip Stick	78	165-B3169	1	O-Ring
26	112-92293P	3	Nut	79	166-B3169	1	Back Up Ring
27	113-92293P	3	Washer	80	167-B3169	1	Valve
28	150-92293P	3	Plunger	81	168-B3169	1	Screw
29	114-92293P	3	O-Ring	82	169-B3169	1	Valve Seal
30	115-92293P	3	Back Up Ring	83	170-B3169	1	O-Ring
31	116-92293P	3	Flinger Washer	84	100-B3169A	1	Nipple, 3/8 NPT
32	117-92293P	3	Conn. Rod Pin	86	172-B3169	1	UI Manifold
33	118-92293P	1	Crankcase Cover	87	173-B3169	1	Cap
34	126-92293P	4	Screw	88	104-92293P	1	Cap
35	120-92293P	1	Cover O-Ring	89	161-B3169	1	O-Ring
36	134-B3169	3	Connecting Rod	90	142-92293P	1	Nozzle
37	122-92293P	3	Plunger Rod	91	177-B3169	1	O-Ring
49	136-B3169	4	Screw	92	178-B3169	1	Spring
50	137-B3169	4	Washer	93	179-B3169	1	Ball
51	138-B3169	1	Flange	94	114-92293P	1	O-Ring
52	126-92293P	4	Screw	95	197-B3169	1	Hose barb
53	106-92293P	4	Washer	96	112-92293P	1	O-Ring
54	128-92293P	1	Spacer	97	199-B3169	1	Injector Housing

<u>Kit Description</u>	<u>Part #</u>	<u>Items included in kit</u>	<u># Assys in kit</u>
Valve Kit	500-92294P	10, 11, 12, 13, 14, (17)	6
Oil Seal	500-92293P	5	3
O-Ring	192-B3169	20, 21, 22	3
O-Ring	506-92294P	83,89,91,92,93,94,95,96	—
O-Ring	503-92293P	18, 19, 20, 21, 22	1
O-Ring	195-B3169	18, 19, 21, 22	3
O-Ring	505-92293P	67,68,69,70,71,72,73,74,75,76, 77,78,79,80,81,82	—

Limited Pressure Washer Warranty

Generac Portable Products LLC (hereafter referred to as GENERAC LLC) warrants to the original retail purchaser, the pressure washer manufactured by GENERAC LLC to be free from defects in material and workmanship for the period(s) set forth below from the date of original purchase. This warranty is not transferable. The term "original purchaser" means the person for whom the pressure washer is originally purchased.

Warranty Schedules

Electric Power Washer	1 year (does not apply to commercial or rental applications)		
		CONSUMER*	COMMERCIAL*
All Other Engine-driven	Engine:	Warranted solely by Engine Manufacturer	Warranted solely by Engine Manufacturer
	Pump:	1 year	90 days

*** NOTE: For the purpose of this warranty "consumer use" means personal residential household use by original purchaser. "Commercial Use" means all other uses, including rental, construction, commercial and income producing purposes. Once a pressure washer has experienced commercial use, it shall thereafter be considered a commercial use pressure washer for the purposes of this warranty.**

During said warranty period, GENERAC LLC will, at its option, repair or replace any part which, upon examination by GENERAC LLC or GENERAC LLC Authorized Dealers, is found to be defective under normal use and service**. All transportation costs under warranty, including return to the factory if necessary, are to be borne by the purchaser and prepaid by the purchaser.

**** NORMAL WEAR: As with all mechanical devices, pressure washers need periodic parts service and replacement to perform well. This warranty does not cover repair when normal use has exhausted the life of a part or pressure washer pump.**

This warranty does not include: Used products and demonstration equipment. Parts, such as GUNS, HOSES, WANDS, NOZZLES or other wear items such as quick couplers, oil, gauges, belts, o-rings, filters, pump packing, etc. Pumps which have been run without water supplied. Damage or malfunctions resulting from: accidents, abuse, modifications, alterations, or improper servicing. Freezing or chemical deterioration. Normal maintenance such as adjustments, fuel system cleaning and obstruction (due to chemical, dirt, carbon or lime, etc.).

THIS WARRANTY IS IN PLACE OF ALL OTHER WARRANTIES, EXPRESS OR IMPLIED, SPECIFICALLY, GENERAC LLC MAKES NO OTHER WARRANTIES AS TO MERCHANTABILITY OR FITNESS FOR A PARTICULAR PURPOSE. THE DURATION OF ANY IMPLIED WARRANTIES WHICH CANNOT BE DISCLAIMED IS LIMITED TO THE TIME PERIOD AS SPECIFIED IN THE EXPRESS WARRANTY. LIABILITY FOR CONSEQUENTIAL, INCIDENTAL, OR SPECIAL DAMAGES UNDER ANY AND ALL WARRANTIES IS EXCLUDED, EVEN IF SUCH DAMAGES ARE A DIRECT RESULT OF GENERAC LLC'S NEGLIGENCE. GENERAC LLC ALSO DISCLAIMS ANY RESPONSIBILITY FOR INCIDENTAL OR CONSEQUENTIAL DAMAGES SUCH AS THE LOSS OF TIME OR THE USE OF THE POWER EQUIPMENT, OR ANY COMMERCIAL LOSS DUE TO THE FAILURE OF THE EQUIPMENT; AND ANY IMPLIED WARRANTIES ARE LIMITED TO THE DURATION OF THIS WRITTEN WARRANTY.

Some states do not allow limitations on how long an implied warranty lasts, or the exclusion or limitation of incidental or consequential damages, so the above limitations or exclusions may not apply to you. This warranty gives you specific legal rights and you may also have other rights, which vary from state to state.

For service, see your nearest GENERAC LLC authorized warranty service facility or call 1-877-544-0982.

Warranty service can be performed only by a GENERAC LLC authorized service facility. This warranty will not apply to service at any other facility. At the time of requesting warranty service, evidence of original purchase date must be presented.

Generac Portable Products LLC

Jefferson, Wisconsin U.S. A.