

# Homelite®

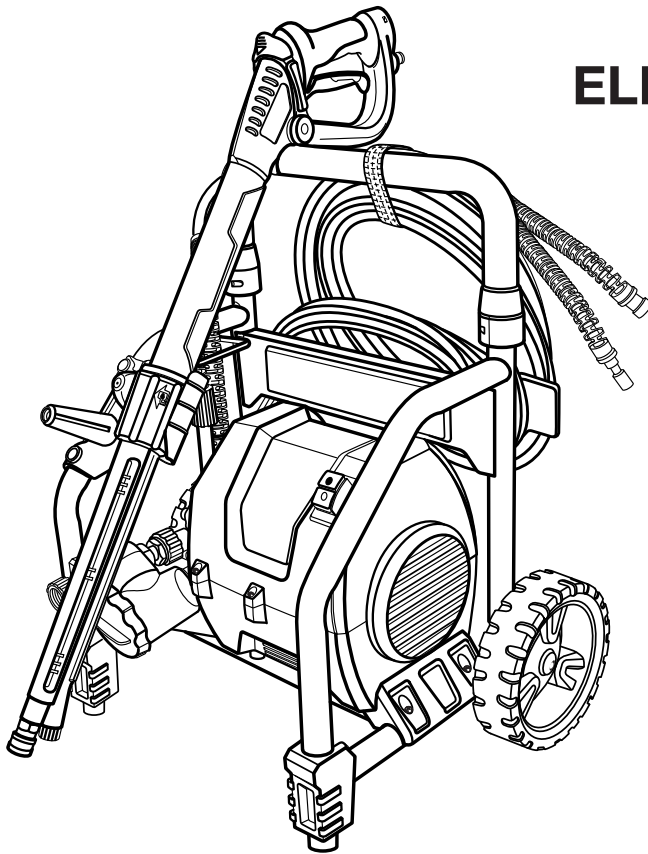
## OPERATOR'S MANUAL

MANUEL D'UTILISATION  
MANUAL DEL OPERADOR

### ELECTRIC PRESSURE WASHER

NETTOYEUR PRESSION À ÉLECTRIQUE  
LAVADORA DE PRESIÓN A ELÉCTRICA

HL80220



To register your Homelite product, please visit:  
<http://register.homelite.com/>

Pour enregistrer votre produit de Homelite, s'il vous plaît la visite:  
<http://register.homelite.com/>

Para registrar su producto de Homelite, por favor visita:  
<http://register.homelite.com/>

Your pressure washer has been engineered and manufactured to our high standard for dependability, ease of operation, and operator safety. When properly cared for, it will give you years of rugged, trouble-free performance.

**⚠ WARNING:** To reduce the risk of injury, the user must read and understand the operator's manual before using this product.

Thank you for your purchase.

## SAVE THIS MANUAL FOR FUTURE REFERENCE

Ce nettoyeur pression a été conçu et fabriqué conformément aux strictes normes de fiabilité, simplicité d'emploi et sécurité d'utilisation. Correctement entretenu, il vous donnera des années de fonctionnement robuste et sans problème.

**⚠ AVERTISSEMENT :** Pour réduire les risques de blessures, l'utilisateur doit lire et veiller à bien comprendre le manuel d'utilisation avant d'utiliser ce produit.

Merci de votre achat.

**CONSERVER CE MANUEL POUR  
FUTURE RÉFÉRENCE**

Su lavadora de presión ha sido diseñada y fabricada de conformidad con las estrictas normas para brindar fiabilidad, facilidad de uso y seguridad para el operador. Con el debido cuidado, le brindará muchos años de sólido y eficiente funcionamiento.

**⚠ ADVERTENCIA:** Para reducir el riesgo de lesiones, el usuario debe leer y comprender el manual del operador antes de usar este producto.

Le agradecemos su compra.

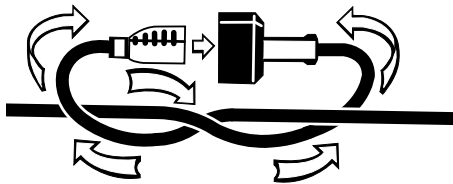
**GUARDE ESTE MANUAL PARA  
FUTURAS CONSULTAS**

**See this fold-out section for all of the figures referenced in the operator's manual.**

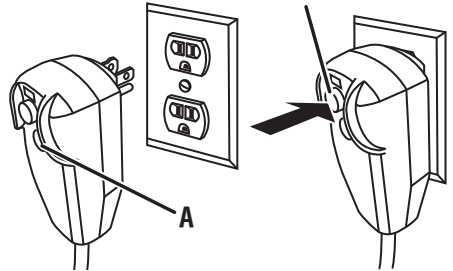
**Consulter l'encart à volets afin d'examiner toutes les figures mentionnées dans le manuel d'utilisation.**

**Consulte esta sección desplegable para ver todas las figuras a las que se hace referencia en el manual del operador.**

**Fig. 1**

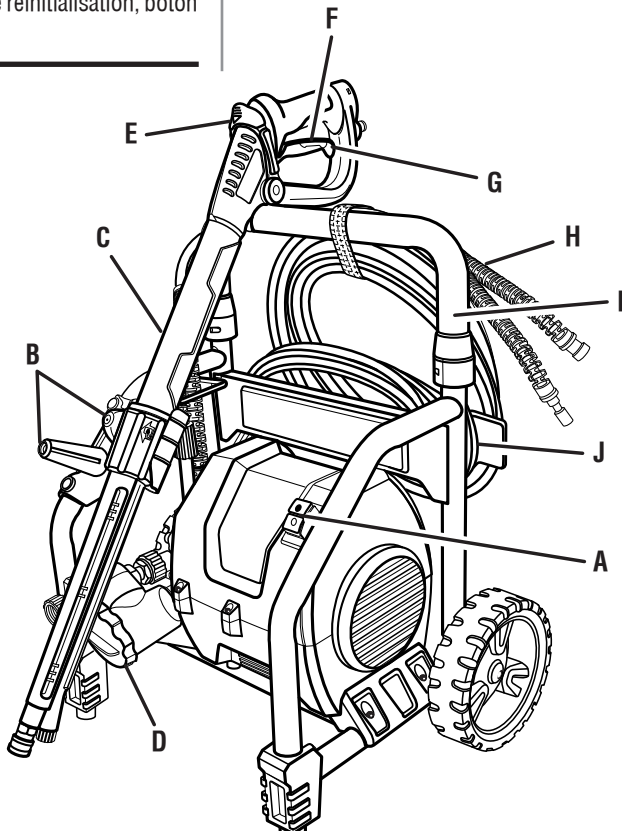


**Fig. 2**



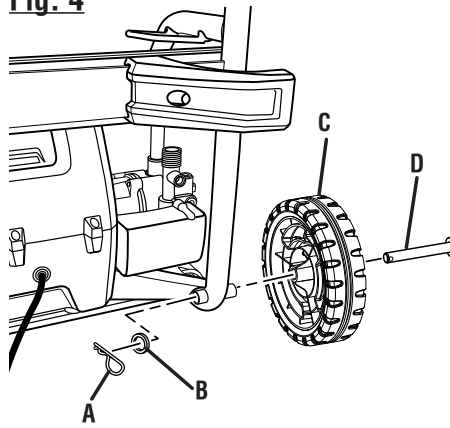
A - Test button (bouton de test, botón de prueba)  
 B - Reset button (bouton de réinitialisation, botón de reajuste)

**Fig. 3**



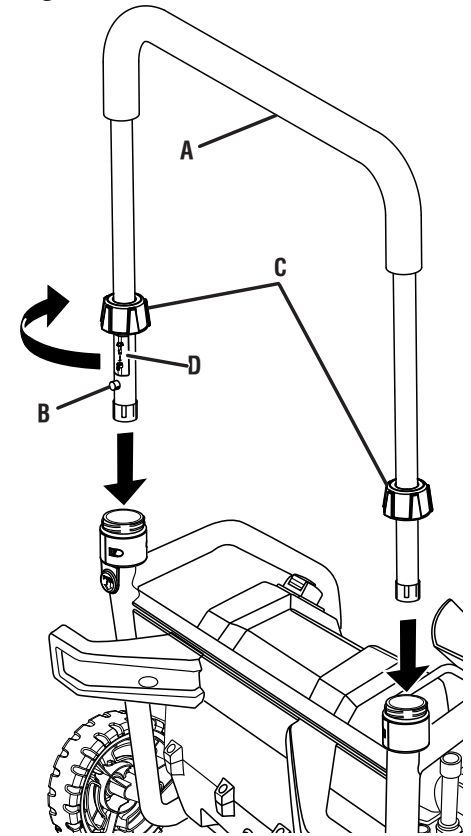
A - On/off switch (commutateur marche / arrêt, interruptor de encendido)  
 B - Nozzle storage (rangement de buses, almacenamiento para boquilla)  
 C - Spray wand (lance de pulvérisation, tubo de rociado)  
 D - Detergent tank (réservoir de détergent, tanque de detergente)  
 E - Hydrosurge/detergent lever (levier « Hydrosurge/détergent », palanca de Hydrosurge/detergente)  
 F - High pressure trigger lock-out (dispositif de verrouillage de la gâchette à haute pression, seguro de gatillo de alt a presión)  
 G - High pressure trigger (gâchette à haute pression, gatillo de alt a presión)  
 H - Hose (tuyau, manguera)  
 I - Telescoping handle (poignée télescopique, mango telescópico)  
 J - Power cord storage (rangement de cordon d'alimentation, almacenamiento para cordón de corriente)  
 K - G-Clean Detergent Injector (injecteur de détergent, inyector de detergente)

**Fig. 4**



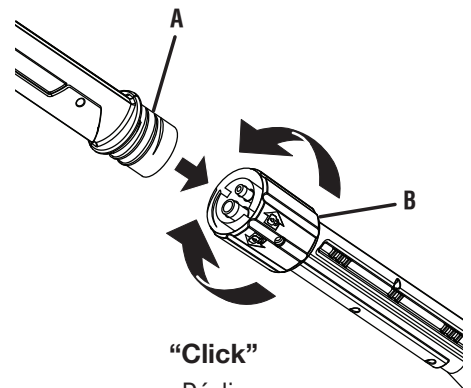
A - Hitch pin (goupille de sûreté, pasador del enganche)  
 B - Washer (rondelle, arandela)  
 C - Wheel (roue, rueda)  
 D - Axle (essieu, eje)

**Fig. 5**



A - Handle assembly (ensemble de poignée, conjunto del mango)  
 B - Button (bouton, botón)  
 C - Collar (colier, casquillo)  
 D - Label (étiquette, etiqueta)

**Fig. 6**



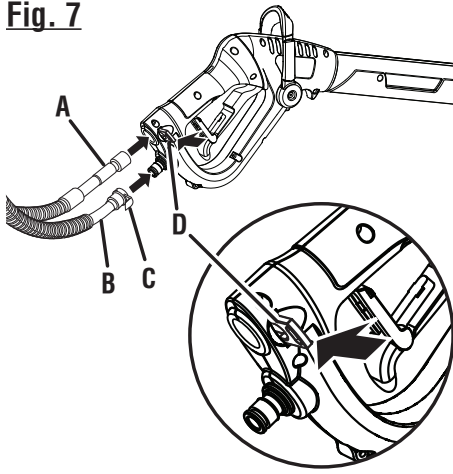
“Click”

« Décllic »

“Clic”

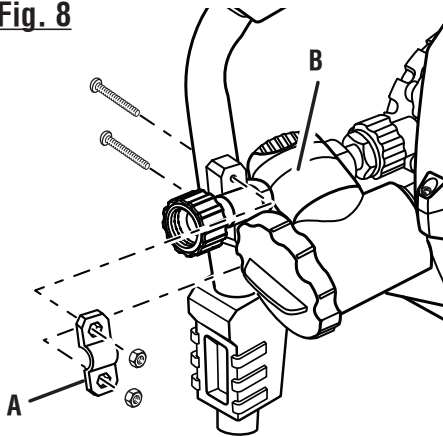
A - Spray wand end (extrémité de la lance d'arrosage, extremo del tubo rociador)  
 B - Locking collar (bague de blocage, collar de ajuste)

**Fig. 7**



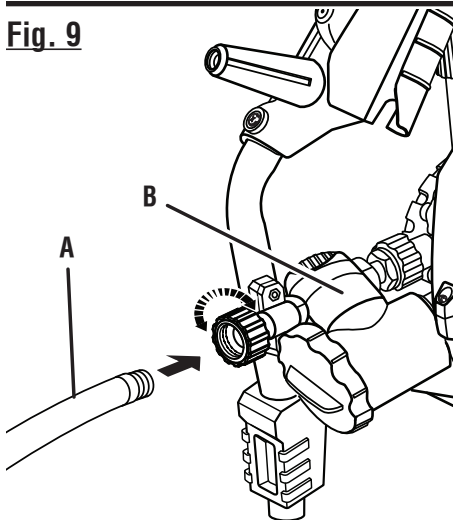
- A - High pressure hose (tuyau de haute pression, manguera de alt a presión)
- B - Low pressure hose (tuyau de basse pression, manguera de la presión baja)
- C - Latch (loquet, broche)
- D - Hose lock (verrouillage de tuyau, seguro de la manguera)

**Fig. 8**



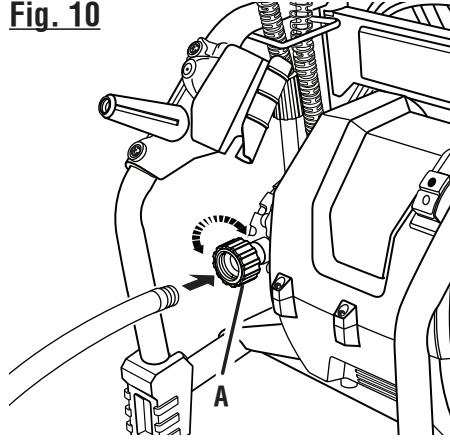
- A - Bracket (support, placa)
- B - G-Clean detergent injector (injecteur de détergent, inyector de detergente )

**Fig. 9**



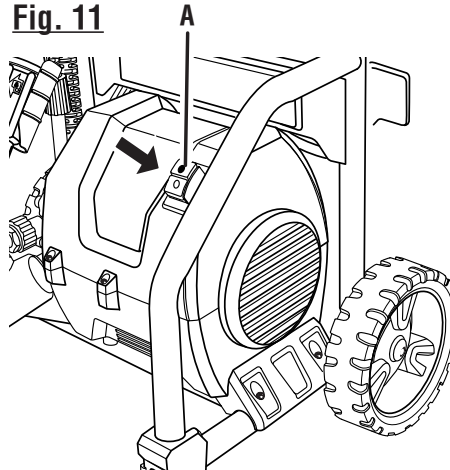
- A - Garden hose (tuyau d'arrosage, manguera de jardín)
- B - G-Clean detergent injector (injecteur de détergent, inyector de detergente )

**Fig. 10**



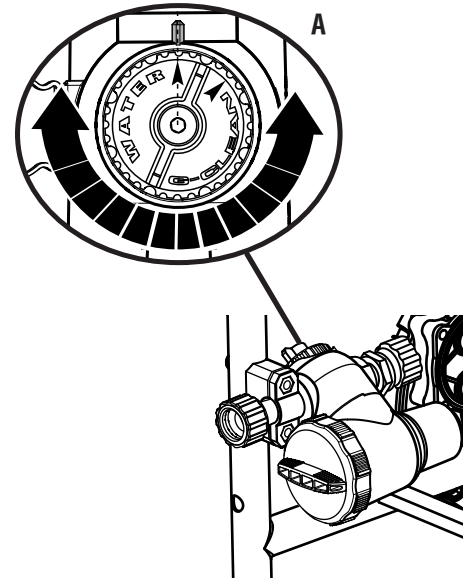
- A - Water intake coupler (coupleur de rise d'eau, acoplador de entrada de agua)

**Fig. 11**



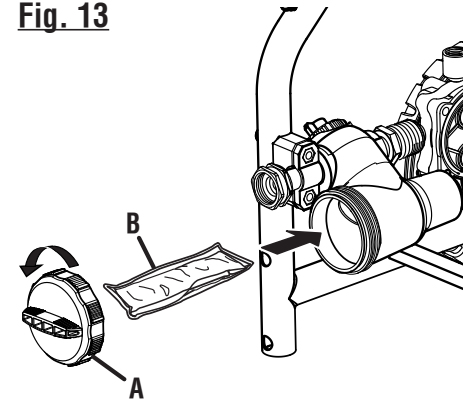
- A - On/off switch (commutateur marche / arrêt, interruptor de encendido)

**Fig. 12**



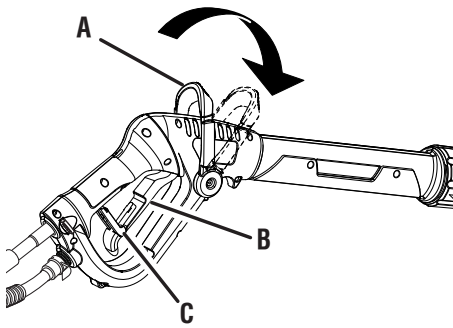
- A - Detergent dial (cadran de détergent, esfera de detergente)

**Fig. 13**



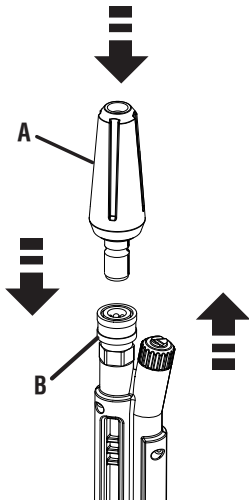
- A - Cap (capuchon, tapa)
- B - G-Clean detergent pouch (poche de détergent G-Clean, biolsa de detergente G-Clean)

**Fig. 14**



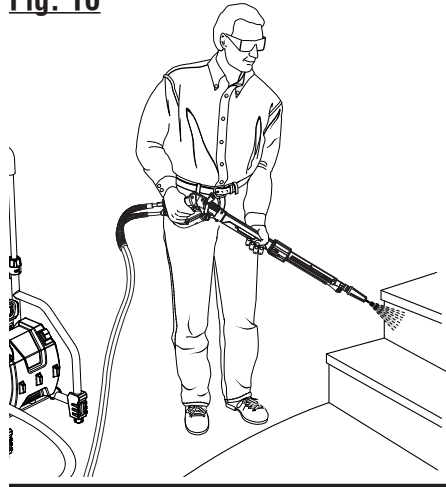
- A - Hydrosurge/low pressure (high flow) lever (pression Hydrosurge/faible, palanca de presión baja [alto flujo]/ Hydrosurge)  
B - High pressure trigger (gâchette à haute pression, gatillo de alta presión)  
C - Lock-out (verrouillage, seguro)

**Fig. 15**

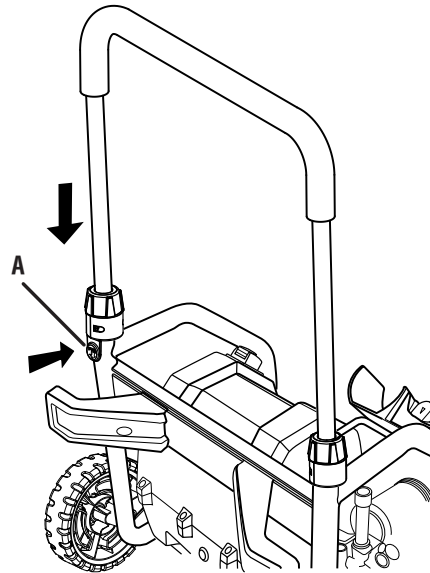


- A - Turbo nozzle (buse turbo, boquilla turbo)  
B - Quick connect collar (collier à ressort, collar de conexión rápida)

**Fig. 16**



**Fig. 17**



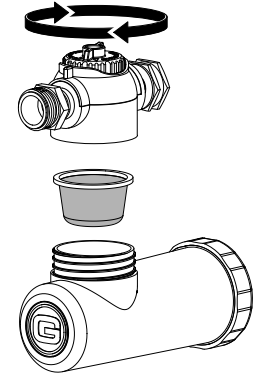
- A - Handle release button (bouton de dégagement de la poignée, botón de liberación del mango)

**Fig. 18**

UNSCREW INJECTOR HEAD, THEN LIFT AND REMOVE TO ACCESS THE SCREEN FOR CLEANING

DÉVISSEZ LA TÊTE DE L'INJECTEUR, PUIS LE SOULEVER POUR ACCÉDER AU TAMIS AFIN DE LE NETTOYER

DESENROSQUE EL CABEZAL DEL INYECTOR, LUEGO LEVANTE Y RETIRE LA REJILLA PARA LIMPIARLA



# TABLE OF CONTENTS

## TABLE DES MATIÈRES / ÍNDICE DE CONTENIDO

■ Introduction .....	2
Introduction / Introducción	
■ Important Safety Instructions .....	3
Instructions importantes concernant la sécurité / Instrucciones de seguridad importantes	
■ Specific Safety Rules.....	4-5
Règles de sécurité particulières / Reglas de seguridad específicas	
■ Symbols.....	6-7
Symboles / Símbolos	
■ Electrical .....	8
Caractéristiques électriques / Aspectos eléctricos	
■ Features.....	9
Caractéristiques / Características	
■ Assembly .....	9-10
Assemblage / Armado	
■ Operation.....	11-13
Utilisation / Funcionamiento	
■ Maintenance.....	13
Entretien / Mantenimiento	
■ Troubleshooting.....	14
Recherche de pannes / Solución de problemas	
■ Warranty .....	15
Garantie / Garantía	
■ Parts Ordering and Service .....	Back Page
Commande de pièces et réparation / Pedidos de piezas y servicio .....	Page arrière / Pág. posterior

## INTRODUCTION

### INTRODUCTION / INTRODUCCIÓN

This product has many features for making its use more pleasant and enjoyable. Safety, performance, and dependability have been given top priority in the design of this product making it easy to maintain and operate.

\* \* \*

Ce produit offre de nombreuses fonctions destinées à rendre son utilisation plus plaisante et satisfaisante. Lors de la conception de ce produit, l'accent a été mis sur la sécurité, les performances et la fiabilité, afin d'en faire un outil facile à utiliser et à entretenir.

\* \* \*

Este producto ofrece numerosas características para hacer más agradable y placentero su uso. En el diseño de este producto se ha conferido prioridad a la seguridad, el desempeño y la fiabilidad, por lo cual se facilita su manejo y mantenimiento.

# IMPORTANT SAFETY INSTRUCTIONS

## **WARNING:**

**Read and understand all instructions.** Failure to follow all instructions listed below may result in electric shock, fire, and/or serious personal injury.

## **WARNING:**

When using this product basic precautions should always be followed, including the following:

### **READ ALL INSTRUCTIONS BEFORE USING THIS PRODUCT**

- **To reduce the risk of injury**, close supervision is necessary when a product is used near children.
- **Be thoroughly familiar with controls.** Know how to stop the product and release pressure quickly.

- **Stay alert and exercise control.** Watch what you are doing and use common sense. Do not operate product when you are tired. Do not rush.
- **Do not operate the product while under the influence of drugs, alcohol, or any medication.**
- **Keep the area of operation clear of all persons**, particularly small children, and pets.
- **Don't overreach or stand on unstable support.** Keep proper footing and balance at all times.
- **Follow the maintenance instructions specified in this manual.**
- **This product is provided with a ground fault circuit interrupter built into the power cord plug.** If replacement of the plug or cord is needed, use only identical replacement parts.
- **WARNING: Risk of injection or injury** – Do not direct discharge stream at persons.


**This Product Shall Only Be Connected To a Power Supply Receptacle Protected By A Ground Fault Circuit Interrupter.**

## **SAVE THESE INSTRUCTIONS**

### **GROUND FAULT CIRCUIT INTERRUPTER PROTECTION**

This pressure washer is provided with a ground fault circuit interrupter (GFCI) built into the plug of the power supply cord. This device provides additional protection from the risk of electric shock. Should replacement of the plug or cord become necessary, use only identical replacement parts that include GFCI protection.

### **SERVICING OF A DOUBLE-INSULATED APPLIANCE**

In a double-insulated product, two systems of insulation are provided instead of grounding. No grounding means is provided on a double-insulated product, nor should a means for grounding be added to the product. Servicing a double-insulated product requires extreme care and knowledge of the system, and should be done only by qualified service personnel. Replacement parts for a double insulated product must be identical to the parts they replace. A double-insulated product is marked with the words "DOUBLE INSULATION" or "DOUBLE INSULATED." The symbol  may also be marked on the product.

### **EXTENSION CORDS**

Use only extension cords that are intended for outdoor use. These extension cords are identified by a marking "Acceptable for use with outdoor appliances; store indoors while not in use." Use only extension cords having an electrical rating not less than the rating of the product. Do not use damaged extension cords. Examine extension cord before using and replace if damaged. Do not abuse extension cord and do not yank on any cord to disconnect. Keep cord away from heat and sharp edges. Always disconnect the extension cord from the receptacle before disconnecting the product from the extension cord.

**WARNING:** To reduce the risk of electrocution, keep all connections dry and off the ground. Do not touch plug with wet hands.

## SPECIFIC SAFETY RULES




- **Know your product.** Read the operator's manual carefully. Learn the machine's applications and limitations as well as the specific potential hazards related to this product.
- **To reduce the risk of injury,** keep children and visitors away. All visitors should wear safety glasses and be kept a safe distance from work area.
- **Use right product.** Don't force product or attachment to do a job it was not designed for. Don't use it for a purpose not intended.
- **Dress properly.** Do not wear loose clothing, gloves, neckties, or jewelry. They can get caught and draw you into moving parts. Rubber gloves and nonskid footwear are recommended when working outdoors. Also wear protective hair covering to contain long hair.
- **Do not operate the equipment while barefoot or when wearing sandals or similar lightweight footwear.** Wear protective footwear that will protect your feet and improve your footing on slippery surfaces.
- **Exercise caution to avoid slipping or falling.**
- **Always wear eye protection with side shields marked to comply with ANSI Z87.1.** Following this rule will reduce the risk of serious personal injury.
- **Use only recommended accessories.** The use of improper accessories may cause risk of injury.
- **Check damaged parts.** Before further use of the product, a guard or other part that is damaged should be carefully checked to determine that it will operate properly and perform its intended function. Check for alignment of moving parts, binding of moving parts, breakage of parts, mounting, and any other conditions that may affect its operation. A guard or other part that is damaged must be properly repaired or replaced by an authorized service center to avoid risk of personal injury.
- **Never leave product running unattended. Turn power off.** Don't leave product until it comes to a complete stop.
- **Keep the motor free of grass, leaves, or grease** to reduce the chance of a fire hazard.
- **Follow manufacturer's recommendations for safe loading, unloading, transport, and storage of machine.**
- **Keep product dry, clean, and free from oil and grease.** Always use a clean cloth when cleaning. Never use brake fluids, gasoline, petroleum-based products, or any solvents to clean product.
- **Check the work area before each use.** Remove all objects such as rocks, broken glass, nails, wire, or string which can be thrown or become entangled in the machine.
- **Do not use product if switch does not turn it off.** Have defective switches replaced by an authorized service center.
- **Avoid dangerous environment.** Don't expose to rain. Keep work area well lit.
- **Do not abuse the cord.** Never use the cord to carry the product or to disconnect the plug from an outlet. Keep cord away from heat, oil, sharp edges, or moving parts. Replace damaged cords immediately. Damaged cords increase the risk of electric shock.
- **Ground Fault Circuit Interrupter (GFCI) protection should be provided on the circuit(s) or outlet(s) to be used for the product.** Receptacles are available having built-in GFCI protection and may be used for this measure of safety.
- **To reduce the risk of electric shock, this product has a polarized plug (one blade is wider than the other) and will require the use of a polarized extension cord.** The plug will fit into a polarized extension cord only one way. If the plug does not fit fully into the extension cord, reverse the plug. If the plug still does not fit, obtain a correct polarized extension cord. A polarized extension cord will require the use of a polarized wall outlet. This plug will fit into the polarized wall outlet only one way. If the plug does not fit fully into the wall outlet, reverse the plug. If the plug still does not fit, contact a qualified electrician to install the proper wall outlet. Do not change the equipment plug, extension cord receptacle, or extension cord plug in any way.
- **Make sure your extension cord is in good condition.** When using an extension cord, be sure to use one heavy enough to carry the current your product will draw. A wire gauge size (A.W.G.) of at least **14** is recommended for an extension cord 25 feet or less in length. If in doubt, use the next heavier gauge. The smaller the gauge number, the heavier the cord. An undersized cord will cause a drop in line voltage resulting in loss of power and overheating.
- **WARNING:** Use outdoor extension cords marked SW-A, SOW-A, STW-A, STOW-A, SJW-A, SJTW-A, or SJTOWA. These cords are rated for outdoor use and reduce the risk of electric shock.
- **Inspect extension cords periodically and replace if damaged.** Keep handles dry, clean, and free from oil or grease.
- **Never direct a water stream toward people or pets, or any electrical device.**
- **Before starting any cleaning operation,** close doors and windows. Clear the area to be cleaned of debris, toys, outdoor furniture, or other objects that could create a hazard.

## SPECIFIC SAFETY RULES






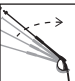


- **Do not use acids, alkalines, solvents, flammable material, bleaches, or industrial grade solutions** in this product. These products can cause physical injuries to the operator and irreversible damage to the machine.
- **WARNING: High pressure jets can be dangerous if subject to misuse.** The jet must not be directed at persons, animals, electrical devices, or the machine itself.
- **Keep the motor away from flammables and other hazardous materials.**
- **Check bolts and nuts** for looseness before each use. A loose bolt or nut may cause serious motor problems.
- **Before storing,** allow the motor to cool.
- **When servicing use only identical replacement parts.** Use of any other parts may create a hazard or cause product damage.
- **ONLY** use cold water.
- Make sure minimum clearance of 3 feet is maintained from combustible materials.
- **Connect pressure washer only to an individual branch circuit.**
- **Hold the handle and wand securely with both hands.** Expect the trigger handle to move when the trigger is pulled due to reaction forces. Failure to do so could cause loss of control and injury to yourself and others.
- **Save these instructions.** Refer to them frequently and use them to instruct other users. If you loan someone this product, loan them these instructions also.

# SYMBOLS

The following signal words and meanings are intended to explain the levels of risk associated with this product.


SYMBOL	SIGNAL	MEANING
	<b>DANGER:</b>	Indicates an imminently hazardous situation, which, if not avoided, will result in death or serious injury.
	<b>WARNING:</b>	Indicates a potentially hazardous situation, which, if not avoided, could result in death or serious injury.
	<b>CAUTION:</b>	Indicates a potentially hazardous situation, which, if not avoided, may result in minor or moderate injury.
	<b>CAUTION:</b>	(Without Safety Alert Symbol) Indicates a situation that may result in property damage.

Some of the following symbols may be used on this product. Please study them and learn their meaning. Proper interpretation of these symbols will allow you to operate the product better and safer.

SYMBOL	NAME	DESIGNATION/EXPLANATION
	Safety Alert	Indicates a potential personal injury hazard.
	Read Operator's Manual	To reduce the risk of injury, user must read and understand operator's manual before using this product.
	Eye Protection	Always wear eye protection with side shields marked to comply with ANSI Z87.1.
	Wet Conditions Alert	Do not expose to rain or use in damp locations.
	Risk of Injection	To reduce the risk of injection or injury, never direct a water stream towards people or pets or place any body part in the stream. Leaking hoses and fittings are also capable of causing injection injury. Do not hold hoses or fittings.
	Kickback	To reduce the risk of injury from kickback, hold the spray wand securely with both hands when the machine is on.
	Electric Shock	Failure to use in dry conditions and to observe safe practices can result in electric shock.
	Chemical Burns	To reduce the risk of injury or damage, DO NOT USE ACIDS, ALKALINES, BLEACHES, SOLVENTS, FLAMMABLE MATERIAL, OR INDUSTRIAL GRADE SOLUTIONS in this product.

# SYMBOLS

Some of the following symbols may be used on this product. Please study them and learn their meaning. Proper interpretation of these symbols will allow you to operate the product better and safer.

SYMBOL	NAME	DESIGNATION/EXPLANATION
V	Volts	Voltage
A	Amperes	Current
Hz	Hertz	Frequency (cycles per second)
W	Watt	Power
~	Alternating Current	Type of current
$n_0$	No Load Speed	Rotational speed, at no load
	Class II Construction	Double-insulated construction
.../min	Per Minute	Revolutions, strokes, surface speed, orbits etc., per minute

# ELECTRICAL

## EXTENSION CORDS

See Figure 1.

When using a power tool at a considerable distance from a power source, be sure to use an extension cord that has the capacity to handle the current the product will draw. An undersized cord will cause a drop in line voltage, resulting in overheating and loss of power. Use the chart to determine the minimum wire size required in an extension cord. Only round jacketed cords listed by Underwriter's Laboratories (UL) should be used.

When working outdoors with a product, use an extension cord that is designed for outside use. This type of cord is designated with "WA" or "W" on the cord's jacket.

Before using any extension cord, inspect it for loose or exposed wires and cut or worn insulation.

It is possible to tie the extension cord and power cord in a knot to prevent them from becoming disconnected during use. Make the knot as shown in figure 1, then connect the plug end of the power cord into the receptacle end of the extension cord. This method can also be used to tie two extension cords together.

\*\*Ampere rating (on product data plate)

Cord Length	Wire Size (A.W.G.)					
	0-2.0	2.1-3.4	3.5-5.0	5.1-7.0	7.1-12.0	12.1-16.0
25'	16	16	16	16	14	14
50'	16	16	16	14	14	12
100'	16	16	14	12	10	—

\*\*Used on 12 gauge - 20 amp circuit.

NOTE: AWG = American Wire Gauge

### WARNING:

Keep the extension cord clear of the working area. Position the cord so that it will not get caught on lumber, tools, or other obstructions while you are working with a power tool. Failure to do so can result in serious personal injury.

### WARNING:

Check extension cords before each use. If damaged replace immediately. Never use the product with a damaged cord since touching the damaged area could cause electrical shock resulting in serious injury.

## ELECTRICAL CONNECTION

This product has a precision-built electric motor. It should be connected to a power supply that is **120 volts, 60 Hz, AC only (normal household current)**. Do not operate this product on direct current (DC). A substantial voltage drop

will cause a loss of power and the motor will overheat. If the product does not operate when plugged into an outlet, double-check the power supply.

## GROUNDING INSTRUCTIONS

This product must be grounded. In the event of a malfunction or breakdown, grounding provides a path of least resistance for electric current to reduce the risk of electric shock. This product is equipped with an electric cord having an equipment-grounding conductor and a grounding plug. The plug must be plugged into a matching outlet that is properly installed and grounded in accordance with all local codes and ordinances.

Do not modify the plug provided. If it will not fit the outlet, have the proper outlet installed by a qualified electrician.

### WARNING:

Improper installation of a grounded plug increase the risk of electric shock. When repair or replacement of the cord or plug is required, take the tool to an authorized service center.

Check with a qualified electrician or service personnel if the grounding instructions are not completely understood, or if in doubt as to whether the product is properly grounded.

Repair or replace a damaged or worn cord immediately.

This product is for use on a nominal 120 V circuit and has a grounding plug similar to the plug illustrated in figure 2. Only connect the product to an outlet having the same configuration as the plug. Do not use an adapter with this product.

## GROUND FAULT CIRCUIT INTERRUPTER

See Figure 2.

This unit is equipped with a Ground Fault Circuit Interrupter (GFCI), which guards against the hazards of ground fault currents. An example of ground fault current is the current that would flow through a person who is using an appliance with faulty insulation and, at the same time, is in contact with an electrical ground such as a plumbing fixture, wet floor, or earth.

GFCI receptacles do not protect against short circuits, overloads, or shocks.

**NOTE:** To ensure readiness for use, press the reset button each time you connect the pressure washer to the power supply.

The GFCI receptacles can be tested with the TEST and RESET buttons.

**To test:**

- Depress the TEST button. This should cause the Reset button to pop out.
- To restore power, depress the RESET button.

Perform this test monthly to ensure proper operation of the GFCI.

# FEATURES

## PRODUCT SPECIFICATIONS

### High Pressure

Maximum Pounds Per Square Inch\*\* ..... 1,700 psi

Maximum Gallons Per Minute\*\* ..... 1.4 GPM

### Low Pressure (High Flow)

Maximum Pounds Per Square Inch ..... up to 60 psi\*

Maximum Gallons Per Minute ..... up to 3.0 GPM\*

Input ..... 120 V, 60 Hz, AC only, 13 Amps

*\*When used at low pressure, the volume and maximum pounds per square inch may vary due to the pressure of your water supply and/or diameter of garden hose used.*

*\*\*Max rating determined by PWMA Standard 101*

## KNOW YOUR PRESSURE WASHER

See Figure 3.

The safe use of this product requires an understanding of the information on the product and in this operator's manual as well as a knowledge of the project you are attempting. Before use of this product, familiarize yourself with all operating features and safety rules.

## G-CLEAN DETERGENT INJECTOR

The G-Clean detergent injector allows you to use G-Clean detergent while using your pressure washer for high or low pressure cleaning.

## GFCI PLUG

The pressure washer is equipped with a GFCI plug to guard against the hazards of ground fault currents. This plug does not protect against short circuits, overloads, or shocks.

## HIGH PRESSURE TRIGGER

Depressing this trigger allows you to dispense water at high pressure.

## HIGH PRESSURE TRIGGER LOCK-OUT

The trigger lock-out prevents accidental use of the high-pressure trigger.

## HYDROSURGE/LOW PRESSURE (HIGH FLOW) LEVER

Use this lever when you want to dispense water at low pressure or use this lever along with the high pressure trigger to dispense water at high flow and high pressure.

## ON/OFF SWITCH

This switch turns the pressure washer on and off.

## SPRAY WAND

The spray wand features two outlets — one for high pressure spray and one for low pressure (high flow) spray.

## TELESCOPING HANDLE

The telescoping handle allows the handle to be lowered for convenient storage.

# ASSEMBLY

## UNPACKING

This product requires assembly.

- Carefully cut the box down the sides then remove the product and any accessories from the box. Make sure that all items listed in the packing list are included.



### WARNING:

Do not use this product if any parts on the Packing List are already assembled to your product when you unpack it. Parts on this list are not assembled to the product by the manufacturer and require customer installation. Use of a product that may have been improperly assembled could result in serious personal injury.

- Inspect the product carefully to make sure no breakage or damage occurred during shipping.

- Do not discard the packing material until you have carefully inspected and satisfactorily operated the product.
- If any parts are damaged or missing, please call 1-800-242-4672 for assistance.

## PACKING LIST

Electric Pressure Washer with Hose and G-Clean Detergent Injector  
Handle Assembly  
Spray Wand  
Wheels (2)  
Axles (2)  
Hitch Pins (2)  
Washers (2)  
Nozzle  
G-Clean Detergent Pouch  
Turbo Nozzle  
Operator's Manual

# ASSEMBLY

## **WARNING:**

If any parts are damaged or missing do not operate this product until the parts are replaced. Use of this product with damaged or missing parts could result in serious personal injury.

## **WARNING:**

Do not attempt to modify this product or create accessories not recommended for use with this product. Any such alteration or modification is misuse and could result in a hazardous condition leading to possible serious personal injury.

## **WARNING:**

Do not connect to power supply until assembly is complete. Failure to comply could result in accidental starting and possible serious personal injury.

## INSTALLING THE WHEELS

See Figure 4.

- Locate the axles, hitch pins, washers, and wheels.
- Slide the axle through the hole in the center of the wheel.
- Lift the machine and slide the axle into the wheel mounting hole in the machine base as shown.
- Slide the washer on the axle, then push the hitch pin into the hole on the end of the axle to secure the wheel assembly.

**NOTE:** The hitch pin should be pushed into the axle until the center of the pin rests on top of the axle.

- Repeat with the second wheel.

## ATTACHING THE HANDLE ASSEMBLY

See Figure 5.

- Orient the handle assembly as shown.
- Depress the button on the handle assembly and insert into the holes on the pressure washer. Press down on the handle assembly until the button on the handle clicks into place.
- Lower both collars on the handle and rotate clockwise until secure.

## ASSEMBLING THE SPRAY WAND

See Figure 6.

- Push the two ends of the spray wand together so that the holes inside each end are aligned.
- Lower the locking collar and rotate counterclockwise until you hear the clicking sound, which indicates the wand is securely tightened.
- Place the assembled spray wand in the spray wand holder with the notched area resting on the pressure washer handle.

## ATTACHING THE HIGH PRESSURE AND LOW PRESSURE HOSES TO THE TRIGGER HANDLE

See Figure 7.

- The low pressure hose is the clear tube with the plastic fitting and goes on the spout at the bottom of the trigger handle.
  - Grasp the plastic fitting and slide onto the spout until it clicks into place.

- To remove, depress the latch on top of the fitting and remove the hose from the spout.
- The high pressure hose has a metal connection and slides into the opening at the top of the trigger handle.
  - Grasp the hose lock and pull outward to clear the way for the high pressure hose to be inserted.
  - Insert the high pressure hose all the way into the hole.
  - Push the hose lock fully back into the handle to hold the high pressure hose in place.

## CONNECTING THE GARDEN HOSE

See Figures 8 - 10.

### CAUTION:

Always observe all local regulations when connecting hoses to the water main. Some areas have restrictions against connecting directly to public drinking water supply to prevent the feedback of chemicals into the drinking water supply. Direct connection through a receiver tank or backflow preventer is usually permitted.

The water supply must come from a water main. NEVER use hot water or water from pools, lakes, etc. Before connecting the garden hose:

- Uncoil the garden hose.

**NOTE:** There must be a minimum of 10 feet of unrestricted garden hose between the water intake and the garden hose faucet or shut off valve (such as a “Y” shut off connector).

- Run water through the garden hose for 30 seconds to clean any debris from the hose.

### To connect the garden hose to the machine through G-Clean detergent injector:

- Loosen bracket screws and remove bracket.
- Rotate the G-Clean detergent injector counterclockwise to loosen and remove.
- Disassemble injector as described in the **Using the Detergent Injector** section of the manual. Ensure that the G-Clean detergent injector screen is not damaged or clogged. Clean or replace as needed.
- Inspect the filter screen in the water intake.
  - If the screen is damaged, do not use the machine until the screen has been replaced.
  - If the screen is dirty, clean it before connecting the garden hose to the machine.

- Reassemble injector, return it to unit, and replace bracket.
- With the garden hose faucet turned completely off, attach the end of the garden hose to the G-Clean detergent injector. Tighten by hand.

### To connect the garden hose directly to the machine:

- Remove the G-Clean injector.
- Inspect the filter screen in the water intake. Clean or replace as needed.
- With the garden hose faucet turned completely off, attach the end of the garden hose to the water intake. Tighten by hand.

# OPERATION

## **WARNING:**

Do not allow familiarity with the product to make you careless. Remember that a careless fraction of a second is sufficient to inflict serious injury.

## **WARNING:**

Always wear eye protection with side shields marked to comply with ANSI Z87.1. Failure to do so could result in objects being thrown into your eyes resulting in possible serious injury.

## **WARNING:**

Do not use any attachments or accessories not recommended by the manufacturer of this product. The use of attachments or accessories not recommended can result in serious personal injury.

## **WARNING:**

Never direct a water stream toward people or pets, or any electrical device. Failure to heed this warning could result in serious injury.

## APPLICATIONS

You may use this product for the purposes listed below:

- Removing, flushing or rinsing dirt and mold from decks, cement patios, and house siding
- Cleaning cars, boats, motorcycles, outdoor furniture, and grills

## STARTING AND STOPPING THE PRESSURE WASHER

See Figure 11.

### **CAUTION:**

Do not run the pump without the water supply connected and turned on.

- Connect the garden hose.
- Turn the garden hose on then squeeze the high pressure trigger to relieve air pressure. Once a steady stream of water appears, release the trigger.
- After ensuring the switch is in the OFF position, connect the pressure washer to the power supply.
- Press the reset button on the pressure washer's plug to make sure the unit is ready for operation.

- Press **ON (I)** on the switch to start the motor.
- To stop the motor, release the trigger and press **OFF (O)** on the switch.

## **WARNING:**

Hold the handle and wand securely with both hands. Expect the trigger handle to move when the trigger is pulled due to reaction forces. Failure to do so could cause loss of control and injury to yourself and others.

## USING THE DETERGENT INJECTOR

See Figures 12 - 13.

The G-Clean detergent injector allows you to use G-Clean detergent while using your pressure washer for high and low pressure cleaning.

**NOTE:** Use only G-Clean detergent in the injector. Any other solutions may damage the injector and/or your pressure washer pump.

- Disconnect pressure washer from power supply.
- Place pressure washer upright on a flat surface.
- Unscrew the cap from the end of the clear tube on the injector. Remove G-Clean detergent pouch from plastic bag and place into the tube, then replace the cap and tighten securely.

**NOTE:** Make sure the cap is securely tightened. Allowing air into the injector during use may cause damage to your pressure washer pump.

- Use the detergent dial on the G-Clean detergent injector to adjust the amount of soap used during operation.

To rinse with no detergent, turn the dial completely clockwise.

To clean, turn the detergent dial counter clockwise to desired soap level.

**NOTE:** If a G-Clean detergent pouch is inserted but detergent is not dispensed, check the dial to ensure that it is not turned fully clockwise. If the dial is set correctly, ensure that the detergent pouch has fully dissolved. If detergent is still not dispensed, remove the G-Clean detergent injector. Unscrew the injector head from the clear detergent container and flush the screen with water.

## USING THE SPRAY WAND

See Figure 14.

For the most effective cleaning, the spray nozzle should be between 8 in. and 24 in. from the surface to be cleaned. If the spray is too close it can damage the cleaning surface.

**NOTE:** For greater control and safety, keep both hands on the unit at all times.

# OPERATION

Several different methods of cleaning are available. Choose the method best suited for your cleaning project.

## High Pressure Cleaning:

Squeeze the high pressure trigger located beneath the rear handle. This will provide a spray of water at high pressure.

## Low Pressure (High Flow) Cleaning:

Move the low pressure (high flow) lever on top of the trigger handle forward. This will provide a spray of water at low pressure.

**NOTE:** When using low pressure (high flow) cleaning only, depress the high pressure trigger lock-out to prevent accidental depressing of the high pressure trigger.

## Combination Cleaning/Rinsing:

To apply a high pressure stream and rinse the area with water at the same time (for instance, in a heavily soiled area), move the low pressure (high flow) lever forward and depress the high pressure trigger.

**NOTE:** Any cleaning or rinsing method using high pressure spray requires that the ON/OFF switch be in the ON position. For methods using low pressure only, the switch may be in either the ON or OFF position.

## USING THE NOZZLES

See Figure 15.

Before starting any cleaning job, determine the best nozzle for the job. The 25° nozzle is for general purpose or large surfaces and the turbo nozzle gives up to 50% more cleaning power.

### CAUTION:

NEVER change nozzles without locking the lock-out on the trigger handle.

- Turn off the pressure washer and shut off the water supply. Pull trigger to release water pressure.
- Engage the lock-out on the trigger handle by pushing up on the lock-out until it clicks into the slot.
- Pull back the quick-connect collar.
- Push the nozzle into place in the spray wand.
- Push the collar forward so that the nozzle is secured properly. Check to see that the nozzle is secure.

**To disconnect a nozzle from the trigger handle once the cleaning job is complete:**

- Turn off the pressure washer and shut off the water supply. Pull trigger to release water pressure.
- Engage the lock-out on the trigger handle by pushing up on the lock-out until it clicks into the slot.
- Remove the nozzle by placing hand over nozzle then pulling back the quick-connect collar. Place nozzle in the nozzle storage area on the top of the machine.

## OPERATING THE PRESSURE WASHER

See Figure 16.

### To clean:

- Turn the detergent dial to desired soap level.
- Start the pressure washer and spray the detergent on a dry surface using long, even, overlapping strokes. To prevent streaking, do not allow detergent to dry on the surface.
- Select the right pressure for the job:
  - Use low pressure to wash items such as a car or boat.
  - Use high pressure for jobs such as stripping paint and degreasing the driveway.
  - Use a combination of high and low pressure (high flow) for heavily soiled areas where constant flushing is desired.

**NOTE:** When using either high pressure or a combination of high and low pressure (high flow), test a small area first to avoid surface damage.

- When the injector looks empty and the water begins to run clear, turn off your pressure washer and replace the empty pouch with a new G-Clean detergent pouch. Additional G-Clean detergent pouches are available at the retailer where you purchased this product in the following styles:
  - Concrete Cleaner and Degreaser (orange).. AGPWC02
  - Siding and All Purpose (green)..... APGWC01
  - Mold Blaster (yellow)..... APGWC03

**NOTE:** One pouch of G-Clean detergent will last up to 30 minutes, depending on water temperature.

### To rinse:

- Turn dial completely clockwise.
- Spray away from the rinsing surface for approximately 10 seconds to allow any remaining detergent to be flushed from the line.
- Start at the top of the area to be rinsed and work down, overlapping the strokes.

## STORING THE PRESSURE WASHER

See Figure 17.

When not in use, store the pressure washer indoors in a low traffic area.

- Depress the handle release button. This will allow the handle to retract. If the handle does not lower on its own, apply a light pressure to push the handle down.

**NOTE:** Do not loosen the locking collar when retracting or extending the handle.

- When the pressure washer is needed again, depress and hold the handle release button while pulling up on the handle to restore it to normal operating position.

# OPERATION

## For winterizing and long-term storage:

- Disconnect the water connection, if necessary.
- Start the pressure washer and allow it to run for a few seconds to eliminate any water remaining in the pump.
- Coil the hoses and place in the hook-and loop strap on the unit's handle. Do not allow the hose to become kinked.
- Store the unit and accessories in an area that does not reach freezing temperatures. Do not store near furnace or other sources of heat that could dry out the pump seals.

## CAUTION:

The use of a pump protector is recommended to prevent cold weather damage during storage over the winter months.

## MOVING THE PRESSURE WASHER

### To move the pressure washer:

- Turn the pressure washer off. Point nozzle in a safe direction and pull trigger to release water pressure.
- Store the spray wand on the unit.
- Tilt the machine toward you until it balances on the wheels then roll the machine to the desired position.

# MAINTENANCE

## WARNING:

When servicing, use only identical replacement parts. Use of any other parts may create a hazard or cause product damage.

## WARNING:

Always wear eye protection marked to comply with ANSI Z87.1. Failure to do so could result in objects being thrown into your eyes, resulting in possible serious injury.

## WARNING:

Before inspecting, cleaning or servicing the machine, shut off engine, wait for all moving parts to stop, and disconnect spark plug wire and move it away from spark plug. Failure to follow these instructions can result in serious personal injury or property damage.

## WARNING:

Do not at any time let brake fluids, gasoline, petroleum-based products, penetrating oils, etc., come in contact with plastic parts. Chemicals can damage, weaken or destroy plastic which may result in serious personal injury.

Only the parts shown on the parts list are intended to be repaired or replaced by the customer. All other parts should be replaced at an authorized service center.

## PUMP LUBRICATION

The pump on this unit is lubricated with a sufficient amount of high grade lubricant for the life of the unit under normal operating conditions. Therefore, no further lubrication is required.

## G-CLEAN DETERGENT INJECTOR MAINTENANCE

Before storing the G-Clean detergent injector, rinse to remove any detergent residue and allow to dry completely before reassembly.

## POWER SUPPLY CORD REPLACEMENT

If replacement of the power supply cord is necessary, this must be done by an authorized service center in order to avoid a safety hazard.

## GENERAL MAINTENANCE

Avoid using solvents when cleaning plastic parts. Most plastics are susceptible to damage from various types of commercial solvents and may be damaged by their use. Use clean cloths to remove dirt, dust, oil, grease, etc.

# TROUBLESHOOTING

Problem	Possible Cause	Solution
Pressure washer does not start when trigger is depressed	<p>Power cord not connected to power source</p> <p>Switch is off</p> <p>GFCI is tripped</p> <p>House/shop circuit breaker is tripped</p>	<p>Connect the power cord to a live 120V AC, 60 Hz AC receptacle.</p> <p>Turn switch on.</p> <p>Press reset button on the GFCI plug.</p> <p>Reset house/shop breaker. Make sure pressure washer is connected to an individual branch circuit only. If using an extension cord, make sure it is heavy enough to carry the current of the pressure washer.</p>
Pump doesn't produce pressure	<p>Inadequate water supply</p> <p>Spray wand leaks</p> <p>Nozzle is clogged</p> <p>Pump is faulty</p> <p>Air in line</p> <p>Water inlet filter is clogged or dirty</p>	<p>Provide adequate water flow.</p> <p>Check connections and / or replace wand.</p> <p>Clean nozzle.</p> <p>Contact authorized service center.</p> <p>Squeeze trigger on spray wand to remove air from line.</p> <p>Remove the water inlet filter, rinse with warm water, then replace in unit.</p>
Machine doesn't reach high pressure	<p>Diameter of garden hose is too small</p> <p>Water supply is restricted</p> <p>Not enough inlet water</p>	<p>Replace with 3/4 in. garden hose.</p> <p>Check garden hose for kinks, leaks, and blockages.</p> <p>Open water source full force.</p>
No detergent	<p>Detergent injector is empty</p> <p>The dial on the detergent injector is turned completely clockwise</p> <p>Water supply is inadequate or clogged</p>	<p>Replace detergent pouch.</p> <p>Turn the dial counter clockwise to desired soap level.</p> <p>Check garden hose for kinks, leaks and blockages.</p>
Wand leaks	<p>O-ring needs replacing</p>	<p>Replace o-ring. If this does not correct the problem, contact your authorized service center to purchase a new wand.</p>

# WARRANTY

## LIMITED WARRANTY STATEMENT

Homelite Consumer Products, Inc. warrants to the original retail purchaser that this Homelite® brand pressure washer is free from defect in material and workmanship and agrees to repair or replace, at Homelite Consumer Products, Inc.'s discretion, any defective product free of charge within this time period from the date of purchase:

- Two years if the product is used for personal, family or household use.

This warranty extends to the original retail purchaser only and commences on the date of the original retail purchase.

Any part of this product found in the reasonable judgment of Homelite Consumer Products, Inc. to be defective in material or workmanship will be repaired or replaced, without charge for parts and labor, by an Authorized Service Center for Homelite® brand pressure washers (Authorized Homelite® Service Center).

The product, including any defective part, must be returned to an Authorized Homelite® Service Center within the warranty period. The expense of delivering the product to the service center for warranty work and the expense of returning it back to the owner after repair or replacement will be paid for by the owner. Homelite Consumer Products, Inc.'s responsibility in respect to claims is limited to making the required repairs or replacements and no claim of breach of warranty shall be cause for cancellation or rescission of the contract of sale of any Homelite® brand pressure washer. Proof of purchase will be required by the dealer to substantiate any warranty claim. All warranty work must be performed by an authorized Homelite Consumer Products, Inc. service center.

This warranty does not cover any product that has been subject to misuse, neglect, negligence, or accident, or that is used for rental or commercial purposes, or that has been operated in any way contrary to the operating instructions as specified in the Homelite Consumer Products, Inc. operator's manual. This warranty does not apply to any damage to the product that is the result of improper maintenance or to any product that has been altered or modified so as to adversely affect the products operation, performance or durability or that has been altered or modified so as to change its intended use. The warranty does not extend to repairs made necessary by normal wear or by the use of parts or accessories which are either incompatible with the Homelite® brand pressure washer or adversely affect its operation, performance or durability.

In addition, this warranty does not cover:

- A. Wear items – Hoses, connector fittings, spray nozzles, wheels, spray wand

Homelite Consumer Products, Inc. reserves the right to change or improve the design of any Homelite® brand pressure washer without assuming any obligation to modify any product previously manufactured.

ALL IMPLIED WARRANTIES ARE LIMITED IN DURATION TO THE STATED WARRANTY PERIOD. ACCORDINGLY, ANY SUCH IMPLIED WARRANTIES INCLUDING MERCHANTABILITY, FITNESS FOR A PARTICULAR PURPOSE, OR OTHERWISE, ARE DISCLAIMED IN THEIR ENTIRETY AFTER THE EXPIRATION OF THE APPROPRIATE ONE-YEAR, WARRANTY PERIOD. HOMELITE CONSUMER PRODUCTS, INC.'S OBLIGATION UNDER THIS WARRANTY IS STRICTLY AND EXCLUSIVELY LIMITED TO THE REPAIR OR REPLACEMENT OF DEFECTIVE PARTS AND HOMELITE CONSUMER PRODUCTS, INC. DOES NOT ASSUME OR AUTHORIZE ANYONE TO ASSUME FOR THEM ANY OTHER OBLIGATION. SOME STATES DO NOT ALLOW LIMITATIONS ON HOW LONG AN IMPLIED WARRANTY LASTS, SO THE ABOVE LIMITATION MAY NOT APPLY TO YOU. HOMELITE CONSUMER PRODUCTS, INC. ASSUMES NO RESPONSIBILITY FOR INCIDENTAL, CONSEQUENTIAL OR OTHER DAMAGES INCLUDING, BUT NOT LIMITED TO EXPENSE OF RETURNING THE PRODUCT TO AN AUTHORIZED HOMELITE® SERVICE CENTER AND EXPENSE OF DELIVERING IT BACK TO THE OWNER, MECHANIC'S TRAVEL TIME, TELEPHONE OR TELEGRAM CHARGES, RENTAL OF A LIKE PRODUCT DURING THE TIME WARRANTY SERVICE IS BEING PERFORMED, TRAVEL, LOSS OR DAMAGE TO PERSONAL PROPERTY, LOSS OF REVENUE, LOSS OF USE OF THE PRODUCT, LOSS OF TIME, OR INCONVENIENCE, SOME STATES DO NOT ALLOW THE EXCLUSION OR LIMITATION OF INCIDENTAL OR CONSEQUENTIAL DAMAGES, SO THE ABOVE LIMITATION OR EXCLUSION MAY NOT APPLY TO YOU.

This warranty gives you specific legal rights, and you may also have other rights which vary from state to state.

This warranty applies to all Homelite® brand pressure washer manufactured by Homelite Consumer Products, Inc. and sold in the United States and Canada.

To locate your nearest Authorized Homelite® Service Center, dial 1-800-242-4672.



# INSTRUCTIONS IMPORTANTES CONCERNANT LA SÉCURITÉ

## **AVERTISSEMENT :**

**Lire attentivement toutes les instructions.** Le non-respect de toutes les instructions ci-dessous peut entraîner un choc électrique, un incendie et/ou des blessures graves.

## **AVERTISSEMENT :**

Lors de l'utilisation de ce produit, toujours suivre les consignes de base, notamment :

## LIRE TOUTES LES INSTRUCTIONS AVANT D'UTILISER CE PRODUIT

- **Pour réduire les risques de blessures,** porter une attention particulière lorsque le produit est utilisé en présence d'enfants.
- **Se familiariser complètement avec les commandes.** Veiller à savoir arrêter la machine et relâcher la pression rapidement.

- **Rester vigilant et garder le contrôle.** Se montrer attentif et faire preuve de bon sens. Ne pas utiliser le produit en état de fatigue. Ne pas se presser.
- **Ne pas utiliser ce produit sous l'influence de l'alcool, de drogues ou de médicaments.**
- **Ne laisser personne approcher la zone de travail,** particulièrement les petits enfants et les animaux domestiques.
- **Ne pas travailler hors de portée ou se tenir sur une surface instable.** Toujours se tenir bien campé et en équilibre.
- **Suivre les instructions d'entretien décrites dans le présent manuel.**
- Ce produit est fourni avec un disjoncteur de fuite à la terre intégré dans la fiche du cordon d'alimentation. S'il est nécessaire de procéder au remplacement de la fiche ou du cordon, utiliser exclusivement des pièces identiques à celles d'origine.
- **AVERTISSEMENT : Risque d'injection ou de blessures**  
– ne pas diriger le jet directement vers quelqu'un.

**CE PRODUIT NE DOIT ÊTRE BRANCHÉ QUE DANS UNE PRISE D'ALIMENTATION PROTÉGÉE PAR UN DISJONCTEUR DE FUITE À LA TERRE.**

## CONSERVER CES INSTRUCTIONS

### PROTECTION D'UN DISJONCTEUR DE FUITE À LA TERRE

Cette laveuse à pression est fournie avec un disjoncteur de fuite à la terre intégré dans la fiche du cordon d'alimentation. Ce dispositif offre une protection supplémentaire contre les décharges électriques. S'il est nécessaire de procéder au remplacement de la fiche ou du cordon, utiliser exclusivement des pièces identiques à celles d'origine qui incluent un disjoncteur de fuite à la terre.

### LA RÉPARATION D'UN APPAREIL À DOUBLE ISOLATION

Le produit à double isolation comprend deux systèmes d'isolation au lieu d'un système de mise à la terre. Aucun appareil à double isolation ne comprend et ne requiert de dispositif de mise à la terre. La réparation de ce produit exige des précautions extrêmes et une bonne connaissance du système; c'est pourquoi elle doit être confiée à un technicien qualifié. Utiliser exclusivement des pièces de remplacement identiques à celles d'origine. Les mots « DOUBLE ISOLATION » sont indiqués sur les outils à double isolation. Le symbole peut également être indiqué sur le produit.

### CORDONS PROLONGATEURS

Utiliser uniquement des cordons prolongateurs conçus pour l'extérieur. Ces cordons prolongateurs sont étiquetés « Compatibles avec les appareils extérieurs; entreposer à l'intérieur lorsque le produit n'est pas utilisé ». Utiliser uniquement des cordons prolongateurs dont les caractéristiques électriques ne sont pas inférieures à la puissance du produit. Ne pas utiliser des cordons prolongateurs endommagés. Examiner le cordon prolongateur avant de l'utiliser et le remplacer s'il est endommagé. Ne pas malmener les cordons prolongateurs ni tirer d'un coup sec dessus pour les débrancher. Garder le cordon à l'écart de la chaleur et des rebords tranchants. Toujours débrancher le cordon prolongateur de la prise de courant avant de débrancher le produit du cordon prolongateur.

**AVERTISSEMENT :** Pour réduire le risque d'électrocution, garder toutes les connexions au sec et au-dessus du sol. Ne pas manipuler la fiche avec les mains mouillées.

# RÈGLES DE SÉCURITÉ PARTICULIÈRES




- **Apprendre à connaître le produit.** Lire attentivement le manuel d'utilisation. Apprendre les applications et les limites de le produit, ainsi que les risques spécifiques relatifs à son utilisation.
- **Pour réduire les risques de blessures,** garder les enfants et visiteurs à l'écart. Tous les visiteurs doivent porter des lunettes de sécurité et se tenir à bonne distance de la zone de travail.
- **Utiliser le produit approprié.** Ne pas utiliser le produit ou un accessoire pour effectuer un travail pour lequel il n'est pas conçu. Ne pas utiliser le produit pour une application non prévue.
- **Porter une tenue appropriée.** Ne pas porter de vêtements amples, gants, cravate ou bijoux. Ces articles pourraient être happés et tirer la main ou une partie du corps dans les pièces en mouvement. Des gants en caoutchouc et des chaussures antidérapantes sont recommandées pour le travail à l'extérieur. Les cheveux longs doivent être ramassés sous un couvre-chef.
- **Ne pas faire fonctionner l'équipement pied-nu ou en portant des sandales ou des chaussures légères similaires.** Porter des chaussures de sécurité protégeant les pieds et améliorant l'équilibre sur des surfaces glissantes.
- **Faire preuve de prudence pour éviter de glisser ou tomber.**
- **Toujours porter une protection oculaire avec écrans latéraux certifiée conforme à la norme ANSI Z87.1.** Le respect de cette règle réduira les risques de blessures graves.
- **N'utiliser que les accessoires recommandés.** L'emploi de tout accessoire inadapté peut présenter un risque de blessure.
- **Vérifier l'état des pièces.** Avant d'utiliser le produit de nouveau examiner soigneusement les pièces et dispositifs de protection qui semblent endommagés afin de déterminer s'ils fonctionnent correctement et s'ils remplissent les fonctions prévues. Vérifier l'alignement des pièces mobiles, s'assurer qu'aucune pièce n'est bloquée ou cassée, vérifier la fixation de chaque pièce et s'assurer qu'aucun autre problème ne risque d'affecter le bon fonctionnement de le produit. Pour éviter les risques de blessures, toute protection ou pièce endommagée doit être correctement réparée ou remplacée dans un centre de réparations agréé.
- **Ne jamais laisser un produit en fonctionnement sans surveillance.** Ne pas s'éloigner de le produit avant qu'il soit parvenu à un arrêt complet.
- **Garder le moteur dépourvu d'herbe, feuilles ou graisse** pour réduire le risque d'incendie.
- **Suivre les recommandations du fabricant pour assurer la sécurité de chargement, déchargement, transport et remisage de la machine.**
- **Garder le produit sec, propre et exempt d'huile ou de graisse.** Toujours utiliser un chiffon propre pour le nettoyage. Ne jamais utiliser de liquide de freins, d'essence ou de produits à base de pétrole pour nettoyer le produit.
- **Examiner la zone de travail avant chaque utilisation.** La débarrasser de tous les objets tels que cailloux, verre brisé, clous, fils métalliques, cordes, etc. risquant d'être projetés ou de se prendre dans la machine.
- **Ne pas utiliser le produit si le commutateur ne permet pas de l'arrêter.** Faire remplacer les commutateurs défectueux dans un centre de réparations agréé.
- **Éviter les environnements dangereux.** Éviter les environnements dangereux. Ne pas exposer à la pluie. Garder le lieu de travail bien éclairé.
- **N'abîmez pas le cordon.** N'utilisez jamais le cordon pour transporter le produit et ne jamais débrancher ce dernier en tirant sur le cordon. Tenez le cordon loin de la chaleur, de l'huile, des rebords tranchants et des pièces en mouvement. Remplacez immédiatement les cordons endommagés. Les cordons endommagés accroissent le risque d'un choc électrique.
- **Les circuits utilisés avec le produit devraient être munis d'un interrupteur de défaut à la terre.** Des connecteurs avec un interrupteur de défaut à la terre sont disponibles et peuvent être utilisés pour satisfaire à cette mesure de sécurité.
- **Pour réduire le risque d'un choc électrique, ce produit est muni d'une fiche polarisée (une lame est plus large que l'autre) et il nécessitera un cordon d'extension polarisé.** La fiche peut être branchée à un cordon d'extension polarisé seulement d'une façon. Si la fiche ne peut pas être branchée complètement dans le cordon d'extension, renversez la fiche. Si la fiche ne peut toujours pas être branchée, procurez-vous un cordon d'extension approprié. Un cordon d'extension polarisé exige l'utilisation d'une prise murale polarisée. La fiche peut être branchée à une prise murale polarisée seulement d'une façon. Si la fiche ne peut pas être branchée complètement dans le prise murale, renversez la fiche. Si la fiche ne peut toujours pas être branchée, contactez un électricien qualifié pour installer une prise murale adéquate. Ne modifiez pas la fiche de l'outil, le connecteur du cordon d'extension ou la fiche du cordon d'extension d'aucune façon.

# RÈGLES DE SÉCURITÉ PARTICULIÈRES






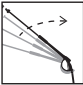


- **Assurez-vous que le cordon d'extension est en bon état.** Quand vous utilisez le cordon d'extension, assurez-vous d'utiliser un cordon de calibre approprié pour rapporter le courant que votre produit soutirera. Pour un cordon d'extension de 7,6 m (25 pi) ou moins, il est recommandé d'utiliser un câble de calibre d'au moins **14 AWG**. En cas de doute, utilisez le calibre supérieur suivant. Plus le numéro de jauge est petit, plus le calibre est élevé. Un cordon prolongateur de calibre insuffisant causera une perte de tension et provoquera ainsi une panne électrique et une surchauffe.
- **AVERTISSEMENT :** Utilisez les cordons prolongateurs pour extérieur marqués SW-A, SOW-A, STW-A, STOW-A, SJWA, SJTW-A, ou SJTOWA. Ces cordons prolongateurs sont homologués pour l'utilisation à l'extérieur et réduisent le risque de choc électrique.
- **Inspectez périodiquement les cordons prolongateurs et remplacez s'ils sont endommagés.** Gardez les poignées sèches, propres et libres d'huile et de graisse.
- **Ne jamais diriger le jet d'eau vers des personnes, animaux domestiques ou dispositifs électriques.**
- **Avant de commencer toute opération de nettoyage,** fermer les portes et fenêtres. Débarrasser la zone à nettoyer de débris, jouets, meuble de jardin ou autres objets pouvant créer un danger.
- **Ne pas utiliser de produits acides ou alcalins, de solvants, de matières inflammables ou de solutions de qualité industrielle** dans ce produit. Ces produits peuvent causer des blessures de l'opérateur et des dommages irréversibles de l'équipement.
- **AVERTISSEMENT :** Les jets à haute pression peuvent être dangereux s'ils sont utilisés incorrectement. Le jet ne doit pas être dirigé vers des personnes, animaux, dispositifs électriques ou l'équipement lui-même.
- **Garder le moteur à l'écart des articles inflammables et autres matières dangereuses.**
- **Vérifier le serrage de la boulonnerie** avant chaque utilisation. Un boulon ou écrou desserré peut causer de sérieux problèmes de moteur.
- **Laisser le moteur refroidir avant de remiser l'outil.**
- **Utiliser exclusivement des pièces identiques à celles d'origine pour les réparations.** L'usage de toute autre pièce pourrait créer une situation dangereuse ou endommager l'outil.
- **Utiliser de l'eau froide UNIQUEMENT.**
- **Veiller à garder une distance d'au moins 914 mm (3 pi) des matériaux combustibles.**
- **Brancher la laveuse à pression uniquement dans un circuit terminal individuel.**
- **Tenir la poignée et la lance fermement à deux mains.** S'attendre à ce que la poignée de gâchette bouge lorsque la détente est appuyée en raison des forces de réaction. L'non-respect de cet avertissement peut entraîner une perte de contrôle et provoquer des blessures à soi et à des tiers.
- **Conserver ces instructions.** Les consulter fréquemment et les utiliser pour instruire d'autres utilisateurs. Si ce produit est prêté, il doit être accompagné de ces instructions.

# SYMBOLES

Les termes de mise en garde suivants et leur signification ont pour but d'expliquer le degré de risques associé à l'utilisation de ce produit.


SYMBOLE	SIGNAL	SIGNIFICATION
	<b>DANGER :</b>	Indique une situation extrêmement dangereuse qui, si elle n'est pas évitée, aura pour conséquences des blessures graves, voire mortelles.
	<b>AVERTISSEMENT :</b>	Indique une situation potentiellement dangereuse qui, si elle n'est pas évitée, aura pour conséquences des blessures graves ou mortelles.
	<b>ATTENTION :</b>	Indique une situation potentiellement dangereuse qui, si elle n'est pas évitée, pourrait entraîner des blessures légères ou de gravité modérée.
	<b>ATTENTION :</b>	(Sans symbole d'alerte de sécurité) Indique une situation pouvant entraîner des dommages matériels.

Certains des symboles ci-dessous peuvent être présents sur le produit. Veiller à les étudier et à apprendre leur signification. Une interprétation correcte de ces symboles permettra d'utiliser le produit plus efficacement et de réduire les risques.

SYMBOLE	NOM	DÉSIGNATION / EXPLICATION
	Symbole d'alerte de sécurité	Indique un risque de blessure potentiel.
	Lire manuel d'utilisation	Pour réduire les risques de blessures, l'utilisateur doit lire et veiller à bien comprendre le manuel d'utilisation avant d'utiliser ce produit.
	Protection oculaire	Toujours porter une protection oculaire avec écrans latéraux certifiée conforme à la norme ANSI Z87.1.
	Avertissement concernant l'humidité	Ne pas exposer à la pluie ou l'humidité.
	Risque d'injection	Pour réduire les risques d'injection ou de blessures, ne jamais diriger le jet directement vers des enfants ou animaux domestiques et ne placer aucune partie du corps sur la trajectoire du jet. Les fuites aux flexibles et raccords peuvent également entraîner des blessures. Ne pas tenir des flexibles ou raccords.
	Rebond	Pour réduire le risque de blessure suite à un rebond, tenir la lance fermement à deux mains lorsque la machine est en fonctionnement.
	Choc électrique	Ne pas utiliser la machine dans un endroit sec ou ne pas respecter les pratiques de sécurité peut entraîner un choc électrique.
	Brûlures chimiques	Pour réduire les risques de blessures ou de dommages matériels, NE PAS UTILISER DE PRODUITS ACIDES, ALCALINS OU JAVÉLISÉS, NI DE SUBSTANCES INFLAMMABLES OU DE SOLUTIONS DE QUALITÉ INDUSTRIELLE dans ce produit.

# SYMBOLES

Certains des symboles ci-dessous peuvent être présents sur l'outil. Veiller à les étudier et à apprendre leur signification. Une interprétation correcte de ces symboles permettra d'utiliser l'outil plus efficacement et de réduire les risques.

<b>SYMBOLE</b>	<b>NOM</b>	<b>DÉSIGNATION / EXPLICATION</b>
V	Volts	Tension
A	Ampères	Intensité
Hz	Hertz	Fréquence (cycles par seconde)
W	Watts	Puissance
~	Courant alternatif	Type de courant
$n_0$	Vitesse à vid	Vitesse de rotation à vide
	Construction de classe II	Construction à double isolation
.../min	Par minute	Tours, coups, vitesse périphérique, orbites, etc., par minute

# CARACTÉRISTIQUES ÉLECTRIQUES

## CORDONS PROLONGATEURS

Voir la figure 1.

Quand vous utilisez l'outil électrique à une distance considérable de la source d'alimentation en électricité, assurez-vous d'utiliser un cordon prolongateur de capacité suffisante pour rapporter le courant que le produit soutiendra. Un cordon prolongateur de calibre insuffisant causera une perte de tension et provoquera ainsi une surchauffe et une perte de puissance. Utilisez le tableau pour déterminer le calibre minimum de fil requis pour un cordon prolongateur. Utilisez exclusivement des cordons à gaine cylindrique homologués par Underwriter's Laboratories (UL).

Pour les travaux à l'extérieur, utilisez un cordon prolongateur spécialement conçu à cet effet. La gaine des cordons de ce type porte l'inscription « W-A » ou « W ».

Avant d'utiliser un cordon prolongateur, vérifiez que ses fils ne sont ni détachés ni exposés et que son isolation n'est ni coupée, ni usée.

Il est possible d'attacher le cordon d'alimentation et le cordon prolongateur par un noeud pour éviter qu'ils se détachent pendant l'utilisation. Faites le noeud comme illustré dans la figure 1 et branchez la fiche du cordon d'alimentation dans la prise du cordon prolongateur. Cette méthode peut aussi être utilisée pour attacher ensemble deux cordons prolongateurs.

\*\*Intensité nominale (sur la plaquette signalétique du produit)

0-2,0 2,1-3,4 3,5-5,0 5,1-7,0 7,1-12,0 12,1-16,0

Longueur du cordon	Calibre de fil (A.W.G)					
25'	16	16	16	16	14	14
50'	16	16	16	14	14	12
100'	16	16	14	12	10	—

\*\*Utilisé sur circuit de calibre 12 – 20 A.

NOTE : AWG = American Wire Gauge

### AVERTISSEMENT :

Tenez le cordon prolongateur loin de la zone de travail. Placez le cordon de façon à ce qu'il ne puisse pas être pris dans les pièces de bois, des outils ou d'autres obstructions quand vous travaillez avec un outil électrique. Le non respect de cet avertissement pourrait résulter en des blessures graves.

### AVERTISSEMENT :

Vérifiez les cordons prolongateurs avant chaque usage. Remplacez immédiatement les cordons endommagés. N'utilisez jamais le produit avec un cordon endommagé car le contact avec l'endroit endommagé pourrait causer un choc électrique et résulter en une blessure sérieuse.

## CONNEXION ÉLECTRIQUE

Ce produit est équipé d'un moteur électrique de précision. Il doit être branché uniquement sur une **alimentation 120 V, 60 Hz, c.a. (courant résidentiel standard)**. N'utilisez pas cet outil sur une source de courant continu (c.c.). Une chute de tension importante causerait une perte de puissance et une surchauffe

du moteur. Si le produit ne fonctionne pas une fois branché, vérifiez l'alimentation électrique.

## INSTRUCTIONS DE MISE À LA TERRE

Ce produit doit être fondé. En cas de problème de fonctionnement ou de panne, la mise à la terre fournit un chemin de résistance au courant électrique, pour réduire le risque de choc électrique. Cet produit est équipé d'un cordon électrique avec conducteur et fiche de mise à la terre. Le cordon doit être branché sur une prise correctement installée et mise à la terre conformément à tous les codes et réglementations locaux en vigueur.

Ne pas modifier la fiche fournie. Si elle ne peut pas être insérée dans la prise secteur, faire installer une prise adéquate par un électricien qualifié.

### AVERTISSEMENT :

L'usage d'un cordon prolongateur incorrect peut présenter des risques de choc électrique. Si le cordon doit être réparé ou remplacé, ne pas connecter le fil de terre de l'outil sur une borne sous tension. Le fil à gaine verte, avec ou sans traceur jaune est le fil de terre.

Consulter un électricien qualifié ou le personnel de service si les instructions de mise à la terre ne sont pas bien comprises, ou en cas de doute au sujet de la mise à la terre.

Tout cordon endommagé doit être réparé ou remplacé immédiatement.

Ce produit est pour l'usage sur un nominal 120 circuit de volt et a un fonder bouche similaire au bouchon illustré dans la figure 2. Seulement connecter le produit à une sortie ayant la même configuration comme le bouchon. Ne pas utiliser un adaptateur avec ce produit.

## DISJONCTEUR DE FUITE À LA TERRE

Voir la figure 2.

Cette unité est équipée d'un disjoncteur de fuite à la terre qui protège des dangers de courants de défaut à la terre. Un exemple de courant de défaut à la terre est le courant qui passerait par une personne utilisant un appareil dont l'isolation serait défectueuse, et qui serait en même temps en contact avec une mise électrique à la terre, telle qu'un dispositif de plomberie, un sol mouillé ou la terre.

Les prises protégées par un disjoncteur de fuite à la terre ne protègent pas des court-circuits, des surcharges et des chocs électriques.

**NOTE:** Pour s'assurer que le produit est toujours prêt à être utilisé, appuyer sur le bouton « Reset » (Réinitialisation) chaque fois que le produit est branché dans une prise de courant.

Les prises protégées par un disjoncteur de fuite à la terre peuvent être testées au moyen des boutons TEST et RESET (Réinitialisation).

### Pour tester :

- Appuyer sur le bouton TEST. Ceci doit faire sortir le bouton Reset (Réinitialiser).
- Pour restaurer l'alimentation, appuyer sur le bouton RESET (Réinitialiser).

Effectuer ce test chaque mois pour assurer un bon fonctionnement du disjoncteur de fuite à la terre.

# CARACTÉRISTIQUES

## FICHE TECHNIQUE

### Haute pression

Pression maximum en livres par pouce carré/Kpa\*\* ..... 11,720 Kpa (1 700 psi)

Débit maximum par minute\*\* ..... 5,3 LPM (1,4 GPM)

### Basse pression (grand débit)

Pression maximum en livres par pouce carré/Kpa\*\* ..... jusqu'à 413,7 kPa (60 psi)\*

Débit maximum par minute\*\* ..... jusqu'à 11,36 LPM (3,0 GPM)\*

Alimentation..... 120 V, 60 Hz, CA seulement, 13 A

*\*Lorsque l'outil est utilisé à faible pression, le volume débité et le nombre maximal de livres par pouce carré peuvent varier en raison de la pression de l'alimentation en eau ou du diamètre du boyau d'arrosage utilisé.*

*\*\* Maximum évaluant résolu par la norme de PWMA 101*

## APPRENDRE À CONNAÎTRE LE NETTOYEUR HAUTE PRESSION

Voir la figure 3.

La sécurité d'utilisation de ce produit exige la compréhension des informations apposées sur le produit et contenues dans ce manuel d'utilisation, ainsi que la connaissance du travail à exécuter. Avant d'utiliser ce produit, se familiariser avec toutes ses fonctions et règles de sécurité.

## INJECTEUR DE DÉTERGENT G-CLEAN

L'injecteur de détergent G-Clean permet d'utiliser le détergent G Clean avec la laveuse à pression pour effectuer un nettoyage à haute et basse pression.

## FICHE À DISJONCTEUR DE FUITE À LA TÈRE

La laveuse à pression est dotée d'une fiche à disjoncteur de fuite à la terre afin d'assurer une protection contre les risques associés aux courants de défaut de mise à la terre. Cette fiche n'offre aucune protection contre les courts-circuits, les surcharges ou les décharges électriques.

## GÂCHETTE À HAUTE PRESSION

Le fait d'appuyer sur la gâchette permet de délivrer de l'eau à haute pression.

## DISPOSITIF DE VERROUILLAGE DE LA GÂCHETTE À HAUTE PRESSION

Le dispositif de verrouillage permet d'empêcher le déclenchement accidentel de la gâchette à haute pression.

## LEVIER « HYDROSURGE/FAIBLE PRESSION (GRAND DÉBIT) »

Utiliser ce levier pour pulvériser de l'eau à basse pression, ou utiliser sa gâchette pour haute pression afin de pulvériser un grand débit d'eau à haute pression.

## COMMUTATEUR MARCHÉ / ARRÊT

Cet interrupteur permet de mettre la laveuse à pression en marche et à l'arrêt.

## LANCETTE

La lance d'arrosage comporte deux sorties : une pour le mode de pulvérisation « haute pression » et une autre pour le mode de pulvérisation « faible pression » (grand débit).

## POIGNÉE TÉLESCOPIQUE

La poignée télescopique s'abaisse pour un entreposage pratique.

# ASSEMBLAGE

## DÉBALLAGE

Ce produit doit être assemblé.

- Avec précaution, sortir l'outil et les accessoires de la boîte. S'assurer que toutes les pièces figurant sur la liste de contrôle sont incluses.



### AVERTISSEMENT :

Ne pas utiliser le produit si, en le déballant, vous constatez que des éléments figurant dans la liste de contrôle d'expédition sont déjà assemblés. Certaines pièces figurant sur cette liste n'ont pas été assemblées par le fabricant et exigent une installation. Le fait d'utiliser un produit qui a été assemblé de façon inadéquate peut entraîner des blessures.

- Examiner soigneusement le produit pour s'assurer que rien n'a été brisé ou endommagé en cours de transport.

- Ne pas jeter les matériaux d'emballage avant d'avoir soigneusement examiné le produit et avoir vérifié qu'il fonctionne correctement.
- Si des pièces sont manquantes ou endommagées, appeler le 1-800-242-4672.

## LISTE DE CONTRÔLE

Nettoyeur haute pression électrique avec flexible y injecteur de détergent G-Clean  
Ensemble de poignée  
Lancette  
Meules (2)  
Essieux (2)  
Goupilles de sûreté (2)  
Rondelles (2)  
Buse  
Poche de détergent g-clean  
Buse turbo  
Manuel d'utilisation

# ASSEMBLAGE

## **AVERTISSEMENT :**

Si des pièces manquent ou sont endommagées, ne pas utiliser cet outil avant qu'elles aient été remplacées. Le fait d'utiliser ce produit même s'il contient des pièces endommagées ou s'il lui manque des pièces peut entraîner des blessures graves.

## **AVERTISSEMENT :**

Ne pas essayer de modifier ce produit ou de créer des accessoires non recommandés pour ce produit. De telles altérations ou modifications sont considérées comme un usage abusif et peuvent créer des conditions dangereuses, risquant d'entraîner des blessures graves.

## **AVERTISSEMENT :**

Ne mettez pas sous tension avant de compléter l'assemblage. Le non respect de cet avertissement pourrait résulter en un démarrage accidentel et des blessures corporelles graves.

## INSTALLER LES ROUES

Voir la figure 4.

- Repérer les essieux, les goupilles de sûreté, les rondelles et les roues.
- Glisser la rondelle sur l'essieu, puis glisser l'essieu dans le trou situé au centre de la roue.
- Soulever l'unité et glisser l'essieu dans le trou de montage de la roue situé sur la base de l'unité, tel qu'illustré.
- Pousser la goupille de sûreté dans le trou situé à l'extrémité de l'essieu afin de fixer solidement l'ensemble roue.  
**NOTE :** Il importe de pousser la goupille de blocage dans l'essieu jusqu'à ce que le centre de la goupille vienne s'appuyer sur le dessus de l'essieu.
- Répéter la procédure pour l'autre roue.

## FIXER L'ENSEMBLE POIGNÉE

Voir la figure 5.

- Orienter l'ensemble poignée tel qu'illustré.
- Appuyer sur le bouton situé sur l'ensemble poignée et l'insérer dans les trous se trouvant sur la laveuse à pression. Enfoncer l'ensemble poignée jusqu'à ce que le bouton s'enclenche en place.
- Abaisser les deux colliers sur la poignée et les tourner dans le sens horaire jusqu'à ce qu'ils soient fixés solidement.

## ASSEMBLAGE DE LA LANCE D'ARROSAGE

Voir la figure 6.

- Pousser les deux extrémités de la lance d'arrosage ensemble de façon à ce que les trous situés à l'intérieur de chaque extrémité soient alignés.
- Abaisser le collier de verrouillage et le tourner dans le sens antihoraire jusqu'à ce qu'un déclic se fasse entendre, ce qui indique que la lance est serrée solidement.
- Placer la lance d'arrosage complètement assemblée dans son support avec la partie encochée reposant sur la poignée de la nettoyeur haute pression.

## FIXER LES TUYAUX FLEXIBLES À HAUTE PRESSION ET À FAIBLE PRESSION SUR LA POIGNÉE À GÂCHETTE

Voir la figure 7.

- Le tuyau flexible à faible pression est le tube transparent doté d'un raccord en plastique; il doit être fixé sur le bec situé dans la partie inférieure de la poignée à gâchette.

- Saisir le raccord en plastique et le glisser sur le bec jusqu'à ce qu'il s'enclenche en place.
- Pour le retirer, appuyer sur l'attache située sur le dessus du raccord et retirer le tuyau flexible du bec.
- Le tuyau flexible haute pression comprend un raccord en métal et se glisse dans l'ouverture située dans la partie supérieure de la poignée à gâchette.
  - Saisir le dispositif de verrouillage du tuyau flexible et le tirer vers l'extérieur afin de dégager la voie pour le tuyau flexible haute pression qui doit être inséré.
  - Insérer le tuyau flexible haute pression directement dans le trou.
  - Pousser le dispositif de verrouillage du tuyau flexible complètement dans la poignée afin de maintenir le tuyau flexible haute pression en place.

## CONNEXION DU TUYAU D'ARROSAGE

Voir les figures 8 à 10.

### ATTENTION :

Toujours respecter tous les règlements locaux au moment de brancher les tuyaux flexibles à l'alimentation principale en eau. Dans certaines régions, l'unité ne doit pas être reliée directement à l'alimentation publique en eau potable pour éviter que des produits chimiques affectent le système. Un raccordement direct est généralement permis si une bêche de récupération ou un dispositif anti-refoulement est utilisé.

L'alimentation en eau doit provenir d'une conduite principale d'alimentation en eau. Ne JAMAIS utiliser l'eau chaude ou l'eau des piscines, lacs, etc. Avant de connecter le tuyau d'arrosage :

- Redresser le tuyau d'arrosage.  
**NOTE :** Il doit y avoir un minimum de 3 m (10 pi) de tuyau entre l'admission du nettoyeur haute pression et le robinet de tuyau ou le robinet de sectionnement (comme un connecteur de sectionnement en « Y »).
- Faire circuler l'eau dans le flexible pendant 30 secondes pour le débarrasser des débris.

### Pour brancher le tuyau de jardin dans l'unité par l'intermédiaire de l'injecteur de détergent G-Clean :

- Desserrer les vis du support et le retirer.
- Tourner l'injecteur de détergent G-Clean dans le sens antihoraire pour le desserrer, puis le retirer.
- Désassembler l'injecteur tel que décrit dans la section intitulée **Utilisation de l'injecteur de détergent** du présent manuel. S'assurer que le tamis de l'injecteur de détergent G-Clean n'est pas endommagé ou obstrué. Le nettoyer ou le remplacer, au besoin.
- Inspecter le tamis dans l'arrivée d'eau
  - Si le tamis est endommagé, ne pas utiliser l'équipement avant d'avoir remplacé le tamis.
  - Si le tamis est sale, le nettoyer avant de connecter le tuyau d'arrosage à l'équipement.
- Réassembler l'injecteur, le fixer de nouveau sur l'unité, puis replacer le support.
- Le robinet de tuyau étant complètement fermé, fixer l'extrémité du tuyau d'arrosage à l'injecteur de Détergent G-Clean. Serrer à la main.

### Pour connecter le tuyau d'arrosage directement à l'équipement :

- Retirer l'injecteur de détergent G-Clean.
- Examiner le tamis de la prise d'eau. Le nettoyer ou le remplacer, au besoin.
- Le robinet de tuyau étant complètement fermé, fixer l'extrémité

# UTILISATION

## **AVERTISSEMENT :**

Ne pas laisser la familiarité avec le produit faire oublier la prudence. Ne pas oublier qu'une fraction de seconde d'inattention peut entraîner des blessures graves.

## **AVERTISSEMENT :**

Toujours porter une protection oculaire certifiée conforme à la norme ANSI Z87.1. Si cette précaution n'est pas prise, des objets peuvent être projetés dans les yeux et causer des lésions graves.

## **AVERTISSEMENT :**

Ne pas utiliser d'outils ou accessoires non recommandés par le fabricant pour ce produit. L'utilisation de pièces et accessoires non recommandés peut entraîner des blessures graves.

## **AVERTISSEMENT :**

Ne pas diriger le jet vers quiconque. Le non-respect de cet avertissement pourrait entraîner des blessures graves.

## APPLICATIONS

Ce produit peut être utilisé pour les applications suivantes :

- Enlever, flossing, ou rinçage la saleté et les moisissures des terrasses, patios en ciment et parements de maison
- Nettoyage de véhicules, bateaux, motos, meubles de jardins et grills

## MISE EN MARCHÉ / ARRÊT DU NETTOYEUR HAUTE PRESSION

Voir la figure 11.

### **ATTENTION :**

Ne pas faire fonctionner la pompe sans qu'elle soit alimentée en eau.

- Connecter la tuyau d'arrosage.
- Mettre en marche le boyau d'arrosage, puis appuyer sur la gâchette à haute pression pour relâcher la pression d'air. Dès qu'un jet d'eau régulier est pulvérisé, relâcher la gâchette.
- Après s'être assuré que l'interrupteur est réglé à la position « OFF » (Arrêt), brancher la laveuse à pression dans l'alimentation électrique.
- Appuyer sur le bouton « Reset » (Réinitialisation) situé sur la fiche de la laveuse à pression afin de s'assurer que l'unité est prête à être utilisée.
- Appuyer sur le bouton **ON ( I )** (Marche) de l'interrupteur pour démarrer le moteur.
- Pour arrêter le moteur, relâcher la gâchette et appuyer sur le bouton **OFF ( O )** (Arrêt) de l'interrupteur.

## **AVERTISSEMENT :**

Tenir la poignée et la lance fermement à deux mains. S'attendre à ce que la poignée de gâchette bouge lorsque la détente est appuyée en raison des forces de réaction. L'non-respect de cet avertissement peut entraîner une perte de contrôle et provoquer des blessures à soi et à des tiers.

## FONCTIONNEMENT DE L'INJECTEUR DE DÉTERGENT G-CLEAN

Voir les figures 12 et 13.

L'injecteur de détergent G-Clean permet d'utiliser le détergent G Clean avec la laveuse à pression pour effectuer un nettoyage à haute et basse pression.

**NOTE :** Introduire uniquement du détergent G-Clean dans l'injecteur. Les autres solutions peuvent endommager l'injecteur ou la pompe de la laveuse à pression.

- Débrancher la laveuse à pression de la source d'alimentation.
- Placer la laveuse à pression en position verticale sur une surface plane.
- Dévisser le bouchon de l'extrémité du tube transparent de l'injecteur. Retirer la poche de détergent G-Clean du sac en plastique et le placer dans le tube., puis replacer le bouchon et le serrer solidement.

**NOTE :** S'assurer que le bouchon est serré solidement. L'infiltration d'air dans l'injecteur pendant l'utilisation peut endommager la pompe de la laveuse à pression.

- Utiliser le cadran se trouvant sur l'injecteur de détergent G-Clean pour ajuster la quantité de savon utilisée.

Pour rincer sans utiliser de détergent, tourner le cadran complètement dans le sens horaire.

Pour nettoyer, tourner le cadran dans le sens antihoraire de manière à obtenir le niveau de savon désiré.

**NOTE :** Si une poche de détergent G Clean a été insérée mais le détergent ne s'est pas libéré, vérifier le cadran pour s'assurer qu'il n'est pas tourné complètement dans le sens horaire. Si le cadran est réglé correctement, s'assurer que la poche de détergent est complètement dissoute. Si le détergent n'a toujours pas été distribué, retirer l'injecteur de détergent G-Clean. Dévisser la tête de l'injecteur du réservoir de détergent transparent et rincer le tamis avec de l'eau.

## FONCTIONNEMENT DE LANCE DE PULVÉRISATION

Voir la figure 14.

Pour une efficacité maximum, la buse doit être tenue à une distance de 203 mm à 610 mm (8 po à 24 po) de la surface à nettoyer. Si la buse est trop proche, le jet peut endommager la surface.

**NOTE:** Pour un meilleur contrôle et une plus grande sécurité d'utilisation, toujours tenir la lancette à deux mains.

# UTILISATION

Il existe plusieurs méthodes de nettoyage différentes. Choisir la méthode qui convient le mieux à la tâche projetée.

## Nettoyage à haute pression :

Appuyer sur la gâchette à haute pression située au-dessous de la poignée arrière. Cela produit un jet d'eau à haute pression.

## Nettoyage à Faible Pression (grand débit) :

Déplacer vers l'avant le levier « faible pression » (grand débit) situé sur le dessus de la poignée à gâchette. Cela permet de pulvériser de l'eau à faible pression.

**NOTE :** Au moment d'effectuer un nettoyage à faible pression (grand débit), appuyer sur le dispositif de verrouillage de la gâchette à haute pression afin d'éviter de déclencher cette dernière accidentellement.

## Combinaison « Nettoyage/Rinçage » :

Pour pulvériser un jet à haute pression et rincer simultanément la surface avec de l'eau (par exemple, dans un endroit très sale), déplacer le levier « faible pression » (grand débit) vers l'avant et appuyer sur la gâchette à haute pression.

**NOTE :** Dans toute méthode de nettoyage ou de rinçage impliquant un jet à haute pression, il est nécessaire de régler l'interrupteur « ON/OFF » (Marche/Arrêt) à la position « ON ». Dans les méthodes impliquant un jet à faible pression, il est possible de régler l'interrupteur à la position « ON » (Marche) ou à la position « OFF » (Arrêt).

## UTILISATION DES BUSES

Voir la figure 15.

Avant de commencer tout nettoyage, sélectionner la buse convenant le mieux pour l'application. La buse 25° est conçue pour une utilisation générale sur les grandes surfaces et la buse turbo fournit jusqu'à 50 % plus de puissance de nettoyage.

### ATTENTION :

Ne JAMAIS changer de buse sans bloquer la gâchette avec le bouton de verrouillage de la gâchette.

- Arrêter le nettoyeur et fermer l'arrivée d'eau. Appuyer sur la gâchette pour relâcher la pression d'eau.
- Verrouiller la poignée de gâchette en poussant sur le bouton de verrouillage jusqu'à ce qu'il s'engage dans la fente.
- Tirer la bague à connexion rapide vers l'arrière.
- Insérer en place la buse dans la lance d'arrosage.
- Poussez en avant la bague de manière à ce que la buse soit fixée solidement et vérifier le tout.

### Pour retirer une buse de la poignée de gâchette une fois le nettoyage terminé :

- Arrêter le nettoyeur et fermer l'arrivée d'eau. Appuyer sur la gâchette pour relâcher la pression d'eau.
- Verrouiller la poignée de gâchette en poussant sur le bouton de verrouillage jusqu'à ce qu'il s'engage dans la fente.
- Retirer la buse en plaçant sa main au dessus de la buse puis en tirant la bague à connexion rapide vers l'arrière. Ranger la buse dans le compartiment du dessus de la machine prévu à cet effet.

## UTILISATION DE LA LAVEUSE À PRESSION

Voir la figure 16.

### Pour nettoyer :

- Lleve el indicador de detergente al nivel de jabón deseado.
- Mettre en marche la laveuse à pression et pulvériser du détergent sur une surface sèche en effectuant des mouvements longs, égaux et chevauchants. Pour éviter les striures, ne pas laisser le détergent sécher sur la surface.
- Choisir la pression qui convient à l'application :
  - Utiliser la basse pression pour laver les articles tels que véhicules ou bateaux.
  - Utiliser la haute pression pour des travaux tels que le décapage de peinture et le dégraissage d'allées.
  - Combiner pression élevée et faible pression (grand débit) dans les endroits très sales où il est nécessaire de rincer constamment la surface.

**NOTE :** Au moment de pulvériser à une pression élevée ou à pression élevée et faible pression combinées (grand débit), faire d'abord un essai sur une petite zone pour éviter d'endommager la surface.

- Si l'injecteur semble vide et que l'eau devient transparente, arrêter la laveuse à pression et remplacer la poche de détergent vide par une nouvelle poche de détergent G Clean. D'autres poches de détergent G-Clean pour différentes applications sont disponibles auprès du détaillant où le produit a été acheté :

- Nettoyant et solvant de dégraissage pour surfaces en béton (orange) ..... AGPWC02
- Nettoyant tout usage convenant aux revêtements (vert) ..... APGWC01
- Mold Blaster pour moisissures (jaune) ..... APGWC03

**NOTE :** Une poche de détergent G-Clean dure jusqu'à 30 minutes, selon la température de l'eau.

### Pour rincer :

- Tourner le cadran complètement dans le sens horaire.
- Pulvériser à l'écart de la surface de rinçage pendant environ 10 secondes afin de rincer le détergent restant dans le conduit.
- Commencer en haut de la zone à rincer et continuer vers le bas en faisant chevaucher les passes.

## REMISAGE DU NETTOYEUR HAUTE PRESSION

Voir la figure 17.

Lorsqu'elle n'est pas utilisée, entreposer la laveuse à pression à l'intérieur dans un endroit peu achalandé.

- Appuyer sur le bouton de relâchement de la poignée. Cela permettra de rétracter la poignée. Si la poignée ne s'abaisse pas par elle-même, appliquer une légère pression dessus afin de la pousser vers le bas.

**NOTE :** Ne pas desserrer la bague de blocage au moment de rétracter ou d'allonger la poignée.

- Au moment d'utiliser de nouveau la laveuse à pression, appuyer sur le bouton de relâchement et le tenir enfoncé tout en tirant sur la poignée pour la remettre à sa position d'utilisation normale.

# UTILISATION

**Pour entreposer le produit pendant l'hiver ou pour une longue période :**

- Débrancher le raccord d'eau, au besoin.
- Démarrer la laveuse à pression et la laisser fonctionner pendant quelques secondes afin d'éliminer toute l'eau restant dans la pompe.
- Enrouler les tuyaux et les placer dans la courroie velcro située sur la poignée de l'unité. Ne pas laisser le tuyau s'entortiller.
- Entreposer l'unité et les accessoires dans un endroit où la température n'atteint pas le point de congélation. Ne pas entreposer le produit près d'un appareil de chauffage ou de toute autre source de chaleur susceptible de faire sécher les joints de la pompe.

## ATTENTION :

Il est recommandé d'utiliser un protecteur de pompe pour éviter tout dommage causé par le froid pendant l'entreposage hivernal.

## DÉPLACEMENT DU NETTOYEUR HAUTE PRESSION

**Pour déplacer nettoyeur haute pression :**

- Pour arrêter le nettoyeur. Indiquer le buse dans le sens sûr et appuyer sur la gâchette pour relâcher la pression d'eau.
- Remiser lance de pulvérisation sur l'unité.
- Basculer la machine vers soi pour la mettre en équilibre sur les roues puis la faire rouler jusqu'à l'endroit désiré.

# ENTRETIEN

## AVERTISSEMENT :

Utiliser exclusivement des pièces identiques à celles d'origine pour les réparations. L'usage de toute autre pièce pourrait créer une situation dangereuse ou endommager l'outil.

## AVERTISSEMENT :

Toujours porter une protection oculaire avec écrans latéraux certifiée conforme à la norme ANSI Z87.1. Si cette précaution n'est pas prise, des objets peuvent être projetés dans les yeux et causer des lésions graves.

## AVERTISSEMENT :

Avant d'inspecter, nettoyer ou entretenir l'équipement, couper le moteur, attendre que toutes les pièces en mouvement s'arrêtent, déconnecter le fil de la bougie et l'écarter de la bougie. Le non-respect de ces instructions peut entraîner des blessures graves ou des dégâts matériels.

## AVERTISSEMENT :

Ne jamais laisser de liquides tels que le fluide de freins, l'essence, les produits à base de pétrole, les huiles pénétrantes, etc., entrer en contact avec les pièces en plastique. Les produits chimiques peuvent endommager, affaiblir ou détruire le plastique, ce qui peut entraîner des blessures graves.

Seules les pièces figurant sur la liste de contrôle sont conçues pour être réparées ou remplacées par l'utilisateur. Toutes les autres pièces doivent être remplacées dans un centre de réparations agréé.

## LUBRIFICATION POUR LA POMPE

La pompe est enduite d'une quantité suffisante de lubrifiant de haute qualité pour la durée de vie de l'outil, dans des conditions d'utilisation normales. Aucune autre lubrification n'est donc nécessaire.

## ENTRETIEN DE L'INJECTEUR DE DÉTERGENT G-CLEAN

Avant d'entreposer l'injecteur de détergent G-Clean, il importe de bien le rincer afin d'enlever les résidus de détergent et de le laisser sécher complètement avant de le réassembler.

## REMPACEMENT DU CORDON D'ALIMENTATION

S'il y a lieu, le cordon d'alimentation doit être remplacé par un centre de réparation agréé afin d'éviter tout risque.

## ENTRETIEN GÉNÉRAL

Éviter d'utiliser des solvants pour le nettoyage des pièces en plastique. La plupart des matières plastiques peuvent être endommagées par divers types de solvants du commerce. Utiliser un chiffon propre pour éliminer la saleté, la poussière, l'huile, la graisse, etc.

# DÉPANNAGE

PROBLÈME	CAUSE POSSIBLE	SOLUTION
La laveuse à pression ne démarre pas lorsque l'utilisateur appuie sur la gâchette.	<p>Le cordon d'alimentation n'est pas branché dans la source d'alimentation.</p> <p>Interrupteur est en position d'arrêt (off)</p> <p>Le disjoncteur de fuite à la terre est déclenché.</p> <p>Le disjoncteur domestique ou d'atelier est déclenché</p>	<p>Brancher le cordon d'alimentation dans une prise de courant 120 V c.a., 60 Hz c.a. sous tension.</p> <p>Régler l'interrupteur à la position « On » (Marche).</p> <p>Appuyer sur le bouton « Reset » (Réinitialisation) se trouvant sur la fiche à disjoncteur de fuite à la terre.</p> <p>Réenclencher le disjoncteur domestique ou d'atelier. S'assurer que la laveuse à pression est raccordée uniquement à un circuit terminal individuel. Lorsqu'un cordon prolongateur est utilisé, s'assurer qu'il est d'un calibre suffisant pour le courant nécessaire à la laveuse à pression.</p>
La pompe ne produit pas de pression	<p>Débit d'alimentation en eau insuffisant</p> <p>Fuites à la lance</p> <p>Buse obstruée</p> <p>Pompe défectueuse</p> <p>Air dans la conduite</p> <p>Le filtre d'entrée est encrassé ou sale</p>	<p>Fournir un débit d'eau adéquat.</p> <p>Vérifier des connexions et/ou remplacer la lance.</p> <p>Nettoyer la buse.</p> <p>Contacteur un centre de réparations agréé.</p> <p>Appuyer sur la gâchette de la lance pour chasser l'air de la conduite.</p> <p>Retirer le filtre d'entrée, le rincer à l'eau chaude et le replacer dans l'unité.</p>
La machine ne parvient pas à la pression correcte de fonctionnement	<p>Diamètre du flexible insuffisant</p> <p>Arrivée d'eau réduite</p> <p>Alimentation en eau insuffisante</p>	<p>Remplacer par un tuyau d'arrosage de 19 mm (3/4 po).</p> <p>S'assurer que le tuyau n'est pas entortillé ou obstrué et qu'il ne présente pas de fuites.</p> <p>Ouvrir complètement le robinet d'eau.</p>
Il n'y a pas de détergent	<p>Le réservoir de détergent est vide</p> <p>Le cadran de l'injecteur de détergent est tourné complètement dans le sens horaire</p> <p>Le circuit d'alimentation en eau est inadéquat ou encrassé</p>	<p>Remplacer la poche de détergent.</p> <p>Tourner le cadran dans le sens antihoraire de manière à obtenir le niveau de savon désiré.</p> <p>Vérifier le boyau d'arrosage afin de s'assurer qu'il ne comporte pas de noeuds ou de fuites et qu'il n'est pas obstrué.</p>
Présence de fuites dans la lance	Remplacement du joint torique requis	Remplacer le joint torique. Si le problème persiste, communiquer avec le centre de réparations agréé afin d'obtenir une nouvelle lance.

# GARANTIE

## ÉNONCÉ DE LA GARANTIE LIMITÉE HORS MOTEUR

Homelite Consumer Products, Inc., garantit à l'acheteur original que ce nettoyeur haute pression Homelite® est exempt de tous vices de matériaux ou de fabrication et s'engage à réparer ou remplacer gratuitement, à son choix, tout produit s'avérant défectueux au cours des périodes indiquées ci-dessous, à compter de la date d'achat :

- Deux ans sur les produits utilisés par des particuliers, ou pour des applications personnelles ou résidentielles.

Cette garantie ne couvre que l'acheteur au détail original et entre en vigueur à la date de l'achat original.

Toute pièce de ce produit raisonnablement jugée, après évaluation par Homelite Consumer Products, Inc., comme présentant des vices de matériaux ou de fabrication, sera réparée ou remplacée, sans facturation pour pièces ou main d'oeuvre par un centre de réparations pour nettoyeurs haute pression Homelite® (centre de réparations Homelite® agréé).

Le produit, y compris toutes les pièces défectueuses devront être retournés à un centre de réparations Homelite® agréé avant expiration de la période de garantie. Les frais d'expédition au centre de réparations pour les travaux sous garantie et de retour au propriétaire du produit seront assumés par le propriétaire. En ce qui concerne les réclamations en garantie, la responsabilité Homelite Consumer Products, Inc., se limitera à la réparation ou au remplacement des produits défectueux et aucune revendication de rupture de garantie ne pourra causer l'annulation ou la résiliation du contrat de vente d'un nettoyeur haute pression Homelite® quel qu'il soit. Une preuve d'achat sera exigée par le centre de réparation, afin de valider toute réclamation au titre de la garantie. Toutes les réparations sous garantie devront être effectuées par un centre de réparations Homelite Consumer Products, Inc., agréé.

Cette garantie ne couvre pas les produits ayant fait l'objet d'un usage abusif ou négligent, d'un manque d'entretien, ayant été impliqués dans un accident ou employé de façon contraire aux instructions du manuel d'utilisation Homelite Consumer Products, Inc. Cette garantie ne couvre ni les dommages aux produits résultant d'un entretien incorrect, ni les produits altérés ou modifiés de façon à nuire au fonctionnement, aux performances et à la durabilité ou dans le but de l'utiliser pour un usage autre que celui pour lequel il a été conçu. La garantie exclut les réparations rendues nécessaires par l'usure normale ou par l'utilisation de pièces et accessoires incompatibles avec le nettoyeur haute pression Homelite® ou nuisant à son bon fonctionnement, ses performances ou sa durabilité.

En outre, cette garantie exclut :

A. Les articles d'usure – Tuyaux, raccords, buses de pulvérisation, roues, lancette

Homelite Consumer Products, Inc., se réserve le droit d'apporter des modifications ou améliorations à tout nettoyeur haute pression Homelite®, sans obligation de modifier les produits fabriqués antérieurement.

LA DURÉE DE TOUTES LES GARANTIES IMPLICITES NE SAURAIT EN AUCUN CAS EXCÉDER LA PÉRIODE DE GARANTIE SPÉCIFIÉE. PAR CONSÉQUENT, TOUTES LES GARANTIES IMPLICITES, Y COMPRIS LES GARANTIES DE VALEUR MARCHANDE OU D'ADÉQUATION À UN USAGE PARTICULIER OU AUTRES SERONT TOTALEMENT INVALIDÉES À L'EXPIRATION DE LA PÉRIODE DE GARANTIE D'UN AN APPROPRIÉE. LES OBLIGATIONS DE HOMELITE CONSUMER PRODUCTS, INC., DANS LE CADRE DE CETTE GARANTIE, SE LIMITENT EXCLUSIVEMENT À LA RÉPARATION OU AU REMPLACEMENT DES PIÈCES DÉFECTUEUSES ET HOMELITE CONSUMER PRODUCTS, INC. N'ASSUME OU N'AUTORISE QUICONQUE À ASSUMER QUELQUE AUTRE OBLIGATION QUE CE SOIT. CERTAINS ÉTATS ET PROVINCES NE PERMETTANT PAS DE LIMITATION DE DURÉE DES GARANTIES IMPLICITES, LES RESTRICTIONS CI-DESSUS PEUVENT NE PAS ÊTRE APPLICABLES. HOMELITE CONSUMER PRODUCTS, INC DÉCLINE TOUTE RESPONSABILITÉ EN CE QUI CONCERNE LES DOMMAGES DIRECTS, INDIRECTS OU AUTRES, Y COMPRIS, MAIS SANS S'Y LIMITER, LES FRAIS DE RETOUR DE PRODUITS HOMELITE® À UN CENTRE DE RÉPARATION AGRÉÉ ET DE RENVOI AU PROPRIÉTAIRE, DE DÉPLACEMENT D'UN TECHNICIEN, DE TÉLÉPHONE OU TÉLÉGRAMME, DE LOCATION D'UN PRODUIT SIMILAIRE PENDANT LA DURÉE DES RÉPARATIONS SOUS GARANTIE, DE DÉPLACEMENT, DE PERTES OU DOMMAGES À DES BIENS PERSONNELS, DE MANQUE À GAGNER, DE PERTE D'USAGE DU PRODUIT, DE PERTE DE TEMPS OU DE DÉRANGEMENT ET LES LIMITATIONS ET EXCLUSIONS CI-DESSUS PEUVENT DONC NE PAS S'APPLIQUER DANS TOUS LES CAS.

Cette garantie donne au propriétaire de l'outil des droits spécifiques, et celui-ci peut bénéficier d'autres droits, qui varient selon les états ou provinces.

Cette garantie couvre tous les nettoyeurs haute pression Homelite® fabriqués par Homelite Consumer Products, Inc., vendus aux États-Unis et au Canada.

Pour obtenir l'adresse du centre de réparations Homelite® agréé le plus proche, appeler le 1-800-242-4672.



# INSTRUCCIONES DE SEGURIDAD IMPORTANTES



## ADVERTENCIA:

Lea y comprenda todas las instrucciones. El incumplimiento de las instrucciones señaladas abajo puede causar descargas eléctricas, incendios y lesiones corporales serias.



## ADVERTENCIA:

Al emplear este producto, siempre se deben respetar precauciones básicas, incluidas las siguientes.

## LEA TODAS LAS INSTRUCCIONES ANTES DE USAR ESTE PRODUCTO

- **Para reducir el riesgo de lesiones**, se debe supervisar cuidadosamente la utilización de un producto cerca de niños.
- **Familiarícese completamente con los controles.** Aprenda a detener la máquina y a liberar rápidamente la presión.

- **Permanezca alerta y en control.** Preste atención a lo que esté haciendo y aplique el sentido común. No utilice la producta cuando esté cansado. No se apresure.
- **No utilice la unidad si se encuentra bajo los efectos de drogas, alcohol o medicamentos.**
- **Mantenga alejadas del área de trabajo a todas las personas**, particularmente a los niños de corta edad, y también a las mascotas.
- **No se estire ni se pare en un soporte inestable.** Mantenga una postura firme y buen equilibrio en todo momento.
- **Siga las instrucciones de mantenimiento especificadas en este manual.**
- **Este producto cuenta con un interruptor de circuito accionado por falla de conexión a tierra incorporado en la clavija del cordón eléctrico.** Si debe reemplazar la clavija o el cordón, sólo utilice piezas de repuestos idénticas.
- **ADVERTENCIA: Riesgo de inyección o de lesión** – No dirija el chorro hacia las personas.

**Este producto solamente puede conectarse a un receptáculo de alimentación eléctrica protegido por un interruptor de circuito con descarga a tierra (GFCI).**

## GUARDE ESTAS INSTRUCCIONES

### PROTECCIÓN CON INTERRUPTOR DE CIRCUITO ACCIONADO POR FALLA DE CONEXIÓN A TIERRA

Esta lavadora de presión cuenta con un interruptor de circuito accionado por falla de conexión a tierra (GFCI) incorporado en la clavija del cordón eléctrico. Este dispositivo proporciona protección contra el riesgo de descargas eléctricas. Si debe reemplazar la clavija o el cordón, sólo utilice piezas de repuesto idénticas que incluyan la protección con GFCI.

### SERVICIO DE UNA UNIDAD CON DOBLE AISLAMIENTO

En un producto con doble aislamiento, se incluyen dos sistemas de aislamiento en lugar de la conexión a tierra. La característica de conexión a tierra no se incluye en el producto con doble aislamiento, ni se debe incorporar esta característica al producto. El servicio de un producto con doble aislamiento requiere extremo cuidado y conocimiento sobre el sistema. Sólo el personal de servicio calificado debe realizar dicho servicio. Las piezas de repuesto para un producto con doble aislamiento deben ser idénticas a las piezas que reemplazan. Un producto con doble aislamiento incluye las

palabras “DOUBLE INSULATION” (DOBLE AISLAMIENTO) o “DOUBLE INSULATED” (DOBLE AISLAMIENTO). El producto también puede incluir el símbolo.

### CORDONES DE EXTENSIÓN

Utilice sólo los cordones de extensión que son aptos para usar al aire libre. Estos cordones de extensión cuentan con la identificación “Acceptable for use with outdoor appliances; store indoors while not in use” (Se puede emplear con dispositivos para el aire libre. Guarde en ambientes cerrados cuando no se lo utiliza). Utilice sólo los cordones de extensión que tengan un régimen de potencia que no sea inferior al régimen del producto. No emplee cordones de extensión dañados. Examine el cordón de extensión antes de usarlo y reemplácelo si está dañado. No maltrate el cordón de extensión y nunca tire de los cordones para desconectar la unidad. Mantenga el cordón alejado del calor y los bordes filosos. Desconecte siempre el cordón de extensión del receptáculo antes de desconectar el producto de este cordón.

**ADVERTENCIA:** Para reducir el riesgo de electrocución, mantenga todas las conexiones secas y alejadas del suelo. No toque la clavija con las manos húmedas.

# NORMAS DE SEGURIDAD ESPECÍFICAS




- **Familiarícese con la producto.** Lea cuidadosamente el manual del operador. Aprenda los usos y limitaciones de la máquina, así como los posibles peligros específicos de este producto.
- **Para reducir el riesgo de lesiones,** mantenga a alejados a niños y demás circunstantes. Todos los presentes deben llevar puestos anteojos de seguridad y permanecer a una distancia segura del área de trabajo.
- **Use la producto adecuada a la tarea.** No fuerce la producto ni ningún accesorio a efectuar tareas para las que no están hechos. No la use para propósitos no indicados en las instrucciones.
- **Vístase adecuadamente.** No vista ropas, guantes, corbatas o joyas holgadas. Pueden resultar atrapadas y tirar de usted hacia piezas en movimiento. Se recomiendan guantes y calzado antiderrapantes al trabajar al aire libre. Si tiene el pelo largo cúbrase de alguna manera para contenerlo.
- **No accione el equipo cuando esté descalzo o al llevar puestas sandalias o calzado liviano similar.** Use calzado de seguridad que le proteja sus pies y mejore su postura en superficies resbaladizas.
- **Tenga suma precaución para evitar resbalarse o caer.**
- **Siempre póngase protección ocular con protección lateral con la marca de cumplimiento de la norma ANSI Z87.1.** Con el cumplimiento de esta regla se reduce el riesgo de lesiones corporales serias.
- **Utilice sólo accesorios recomendados.** El empleo de accesorios inadecuados puede presentar riesgos de lesiones.
- **Inspeccione las piezas dañadas.** Antes de seguir utilizando la producto, es necesario inspeccionar cuidadosamente toda protección o pieza dañada para determinar si funcionará correctamente y desempeñará la función a la que está destinada. Verifique la alineación de las partes móviles, que no haya atoramiento de las mismas, que no haya piezas rotas, el montaje de las piezas y cualquier otra condición que pudiera afectar su funcionamiento. Toda protección o pieza que esté dañada debe repararse apropiadamente o reemplazarse en un centro de servicio autorizado.
- **Nunca deje desatendida ninguna producto en funcionamiento. Apague la producto.** No se aleje de la producto hasta no verla completamente detenida.
- **Conserve el motor limpio de césped, hojas o grasa** a fin de reducir el riesgo de incendio.
- **Siga las recomendaciones del fabricante para lograr la carga, descarga, transporte y almacenamiento seguros de la máquina.**
- **Mantenga la producto seca, limpia y libre de aceite y grasa.** Siempre utilice un paño limpio para la limpieza de la unidad. Nunca utilice fluidos para frenos, gasolina, productos a base de petróleo ni solventes para limpiar la producto.
- **Revise el área de trabajo cada vez antes de utilizar este producto.** Retire todos los objetos como piedras, vidrio roto, clavos, alambre o cuerda que puedan salir disparados o enredarse en la máquina.
- **No utilice la producto si el interruptor no apaga.** Lleve todo interruptor defectuoso a un centro de servicio autorizado para que lo reparen.
- **Evite tener un entorno de trabajo peligroso.** No exponga a la lluvia. Mantenga bien iluminada el área de trabajo.
- **No maltrate el cordón.** Nunca utilice el cordón para trasladar ni para sacar la clavija de una toma. Mantenga el cordón alejado del calor, del aceite de bordes afilados y de piezas móviles. Cambie de inmediato todo cordón dañado. Los cordones dañados aumentan el riesgo de descargas eléctricas.
- **Los circuitos o las tomas donde se conecta esta producto deben estar protegidos con un interruptor de circuito accionado por falla de conexión a tierra (GFCI).** Hay receptáculos con la protección de un GFCI integrado, y pueden utilizarse para contar con esta característica de seguridad.
- **Para reducir el riesgo de una descarga eléctrica, este producto dispone de una clavija polarizada (una patilla es más ancha que la otra) y requiere un cordón de extensión polarizado.** La clavija entra sólo de una forma en el enchufe de un cordón de extensión polarizado. Si la clavija no entra completamente en el enchufe del cordón de extensión, invierta la posición de la misma. Si aún así no entra la clavija, obtenga un cordón de extensión polarizado correcto. Un cordón de extensión polarizado requiere el uso de una toma de pared polarizada. Esta clavija entra sólo de una forma en la toma de pared polarizada. Si la clavija no entra completamente en la toma de pared, invierta la posición de la clavija. Si aún así no entra la clavija, contrate a un electricista calificado para encargarle la instalación de una toma de pared adecuada. No cambie de ninguna manera la clavija del equipo, ni el receptáculo o la clavija del cordón de extensión.
- **Asegúrese de que esté en buen estado el cordón de extensión.** Al utilizar un cordón de extensión, utilice uno del suficiente calibre para soportar la corriente que consume el producto. Se recomienda que los conductores sean de calibre **14 (A.W.G.)** por lo menos, para un cordón de extensión de 7,6 metros (25 pies) de largo o menos. Si tiene dudas, utilice un cordón del calibre más grueso siguiente. Cuanto menor es el número de calibre, mayor es el grueso del cordón. Un cordón de un calibre insuficiente causa una caída en el voltaje de línea, y produce recalentamiento y pérdida de potencia.
- **ADVERTENCIA:** Use cordones de extensión para exteriores que lleven las marcas SW-A, SOW-A, STW-A, STOW-A, SJW-A, SJTW-A o SJTOWA. Estos cordones están aprobados para el uso en el exterior y reducen el riesgo de descargas eléctricas.

## NORMAS DE SEGURIDAD ESPECÍFICAS









- **Inspeccione periódicamente los cordones de extensión y reemplácelos si están dañados.** Mantenga los mangos secos, limpios y sin aceite ni grasa.
- **Nunca dirija un chorro de agua en dirección de personas o animales, ni hacia dispositivos eléctricos.**
- **Antes de iniciar cualquier operación de limpieza,** cierre puertas y ventanas. Despeje el área a limpiar y elimine cualesquier desechos, juguetes, muebles de patio u otros objetos que pudiesen crear un peligro.
- **No use soluciones ácidas, alcalinas, solventes, materiales inflamables o de grado industrial** en este producto. Estos productos pueden causar lesiones físicas al operador y daños irreparables a la máquina.
- **ADVERTENCIA: Los chorros de alta presión pueden ser peligrosos si se utilizan indebidamente.** Nunca dirija el chorro a personas, animales, dispositivos eléctricos ni a la máquina misma.
- **Mantenga alejado el motor de materiales inflamables y de otros materiales peligrosos.**
- **Antes de cada uso, inspeccione los pernos y las tuercas** para verificar que están apretados. Una tuerca o perno sueltos pueden causar problemas graves en el motor.
- **Antes de guardar la unidad deje que se enfríe el motor.**
- **Al dar servicio a la unidad, sólo utilice piezas de repuesto idénticas.** El empleo de piezas diferentes puede causar un peligro o dañar el producto.
- Use **SOLAMENTE** agua fría.
- **Asegúrese de que haya una distancia mínima de 914 mm (tres pies) de todo material combustible.**
- **Conecte la lavadora de presión a un subcircuito individual.**
- **Sujete y sostenga firmemente con ambas manos el mango.** Al tirar del gatillo, puede que el mango de gatillo se mueva debido a fuerzas de reacción. La inobservancia de esta advertencia puede ocasionar la pérdida de control y lesiones personales y a otros.
- **Guarde estas instrucciones.** Consúltelas frecuentemente y utilícelas para instruir a otros usuarios. Si presta a alguien esta producto, facilítele también las instrucciones.

# SÍMBOLOS

Las siguientes palabras de señalización y sus significados tienen el objeto de explicar los niveles de riesgo relacionados con este producto.


SÍMBOLO	SEÑAL	SIGNIFICADO
	<b>PELIGRO:</b>	Indica una situación peligrosa inminente, la cual, si no se evita, causará lesiones graves o mortales.
	<b>ADVERTENCIA:</b>	Indica una situación peligrosa posible, la cual, si no se evita, podría causar lesiones graves o mortales.
	<b>PRECAUCIÓN:</b>	Indica una situación peligrosa posible, la cual, si no se evita, podría causar lesiones menores o leves.
	<b>PRECAUCIÓN:</b>	(Sin el símbolo de alerta de seguridad) Indica una situación que puede producir daños materiales.

Es posible que se empleen en esta herramienta algunos de los siguientes símbolos. Le suplicamos estudiarlos y aprender su significado. Una correcta interpretación de estos símbolos le permitirá utilizar mejor y de manera más segura la herramienta.

SÍMBOLO	NOMBRE	DENOMINACIÓN/EXPLICACIÓN
	Alerta de seguridad	Indica un peligro posible de lesiones personales
	Lea manual del operador	Para reducir el riesgo de lesiones, el usuario debe leer y comprender el manual del operador antes de usar este producto.
	Protección ocular	Siempre póngase protección ocular con protección lateral con la marca de cumplimiento de la norma ANSI Z87.1.
	Alerta: Condiciones húmedas	No exponga la unidad a la lluvia ni la use en lugares húmedos.
	Riesgo de inyecciones	Para reducir el riesgo de una inyección o lesión, nunca dirija un chorro de agua hacia personas o mascotas ni ponga ninguna parte del cuerpo en el chorro. Las fugas presentes en mangueras y acopladores también pueden causar lesiones por inyección. No sujete ninguna manguera ni acoplador.
	Contragolpe	Para reducir el riesgo de lesiones por un contragolpe, sujete firmemente el tubo rociador con ambas manos cuando esté encendida la máquina.
	Descarga eléctrica	Si no se usa la unidad en condiciones secas y no se observan prácticas seguras de trabajo, puede producirse una descarga eléctrica.
	Quemaduras químicas	Para reducir el riesgo de lesiones o daños físicos, NO USE SOLUCIONES ÁCIDAS, ALCALINAS, BLANQUEADORES, SOLVENTES, MATERIALES INFLAMABLES O DE GRADO INDUSTRIAL en este producto.

# SÍMBOLOS

Es posible que se empleen en esta herramienta algunos de los siguientes símbolos. Le suplicamos estudiarlos y aprender su significado. Una correcta interpretación de estos símbolos le permitirá utilizar mejor y de manera más segura la herramienta.

SÍMBOLO	NOMBRE	DENOMINACIÓN/EXPLICACIÓN
V	Voltios	Voltaje
A	Amperios	Corriente
Hz	Hertz	Frecuencia (ciclos por segundo)
W	Watts	Potencia
~	Corriente alterna	Tipo de corriente
$n_0$	Velocidad en vacío	Velocidad de rotación, en vacío
	Fabricación Clase II	Fabricación con doble aislamiento
.../min	Por minuto	Revoluciones, carreras, velocidad superficial, órbitas, etc., por minuto

# ASPECTOS ELÉCTRICOS

## CORDONES DE EXTENSIÓN

Veá la figura 1.

Al utilizar una herramienta eléctrica a una distancia considerable de la fuente de corriente, asegúrese de utilizar un cordón de extensión con la suficiente capacidad para soportar la corriente de consumo del producto. Un cordón de un calibre insuficiente causa una caída en el voltaje de línea, la cual a su vez produce recalentamiento y pérdida de potencia. Báse en la tabla suministrada para determinar el grueso mínimo requerido del cordón de extensión. Solamente deben utilizarse cordones con forro redondo registrados en Underwriter's Laboratories (UL).

Al trabajar a la intemperie con un producto, utilice un cordón de extensión fabricado para uso en el exterior. Este tipo de cordón lleva las letras "WA" o "W" en el forro.

Antes de utilizar un cordón de extensión, inspecciónelo para ver si tiene conductores flojos o expuestos y aislamiento cortado o gastado.

Se puede hacer un nudo para atar el cordón de extensión y el cordón eléctrico para impedir que se desconecten durante el uso. Ate el nudo como se muestra en la figura 1, luego conecte el extremo de la clavija del cordón eléctrico en el extremo del receptáculo del cordón de extensión. Este método también se puede usar para atar dos cordones de extensión.

\*\*Amperaje (aparece en la placa de datos del producto)

Longitud del cordón	Calibre conductores (A.W.G.)					
	0-2,0	2,1-3,4	3,5-5,0	5,1-7,0	7,1-12,0	12,1-16,0
25'	16	16	16	16	14	14
50'	16	16	16	14	14	12
100'	16	16	14	12	10	—

\*\*Se usa en los circuitos de calibre 12, de 20 A.

**NOTA:** AWG = Calibre conductores norma americana



### ADVERTENCIA:

Mantenga el cordón de extensión fuera del área de trabajo. Al trabajar con una herramienta eléctrica, coloque el cordón de tal manera que no pueda enredarse en la madera, herramientas o ninguna obstrucción. La inobservancia de esta advertencia puede causar lesiones corporales serias.



### ADVERTENCIA:

Inspeccione los cordones de extensión antes de cada uso. Si están dañados reemplácelos de inmediato. Nunca utilice el producto con un cordón dañado, ya que si toca la parte dañada puede producirse una descarga eléctrica, y las consecuentes lesiones serias.

## CONEXIÓN ELÉCTRICA

Este producto dispone de un motor eléctrico fabricado con precisión. Debe conectarse únicamente a un suministro de corriente de **120 V, 60 Hz, sólo corr. alt. (corriente normal para uso doméstico)**. No utilice este producto con corriente continua (corr. cont.). Una caída considerable de voltaje causa una pérdida de potencia y el recalentamiento del motor. Si el producto no funciona al conectarlo en una toma, vuelva a verificar el suministro de corriente.

## INSTRUCCIONES DE CONEXIÓN A TIERRA

Este producto debe conectarse a tierra. En caso de un mal funcionamiento o desperfecto, la conexión a tierra brinda a la corriente eléctrica una trayectoria de mínima resistencia para disminuir el riesgo de una descarga eléctrica. Esta herramienta está equipada de un cordón eléctrico con un conductor y una clavija de conexión a tierra para equipo. La clavija debe conectarse en una toma de corriente igual que esté instalada y conectada a tierra correctamente, de conformidad con los códigos y reglamentos de la localidad.

No modifique la clavija suministrada. Si no entra en la toma de corriente, llame a un electricista calificado para que instale una toma de corriente adecuada.



### ADVERTENCIA:

Si se conecta de forma incorrecta el conductor de conexión a tierra del equipo puede presentarse un riesgo de descarga eléctrica. Si es necesaria la reparación o reemplazo del cordón eléctrico o de la clavija, no conecte el conductor de conexión a tierra a una terminal portadora de corriente. El conductor con aislamiento que tiene una superficie exterior verde con o sin tiras amarillas es el conductor de conexión a tierra del equipo.

Consulte a un electricista calificado o técnico de servicio si no ha comprendido completamente las instrucciones de conexión a tierra o si no está seguro si la herramienta está bien conectada a tierra.

Repáre o reemplace de inmediato todo cordón dañado o gastado.

Este producto se debe usar con un circuito de 120 V nominales y tiene una clavija de conexión a tierra similar a la clavija que se muestra en la figura 2. Conecte el producto únicamente a una toma de corriente que tenga la misma configuración que la clavija. No use un adaptador con este producto.

## INTERRUPTOR DE CIRCUITO ACCIONADO POR FALLA DE CONEXIÓN A TIERRA

Veá la figura 2.

Esta unidad se equipa de un interruptor del circuito accionado por falla de conexión a tierra (GFCI), el cual protege contra los peligros de las corrientes desarrolladas al presentarse tal falla. Un ejemplo de una corriente debida a una falla de conexión a tierra es la que fluiría a través de una persona que está utilizando un aparato con aislamiento defectuoso, y al mismo tiempo está en contacto con una tierra eléctrica como una parte de la plomería, suelo húmedo o tierra.

Los receptáculos protegidos con GFCIs no protegen contra cortos circuitos, sobrecargas ni descargas eléctricas.

**NOTA:** Para asegurarse de que está listo para el uso, presione el botón de reajuste cada vez que conecte la lavadora de presión al suministro de corriente.

Los receptáculos con GFCIs pueden probarse con los botones TEST [PRUEBA] y RESET [REAJUSTE].

### Para efectuar una prueba:

- Oprima el botón TEST. Esto debe hacer salir el botón Reset (Reajustar).
- Para restablecer la corriente, oprima el botón RESET.

Realice mensualmente esta prueba para asegurarse del buen funcionamiento del GFCI.

# CARACTERÍSTICAS

## ESPECIFICACIONES DEL PRODUCTO

Presión alta

Presión máxima\*\* ..... 11,720 Kpa (1 700 psi)

Flujo máximo\*\* ..... 5,3 LPM (1,4 GPM)

Presión baja (alto flujo)

Presión máxima\*\* ..... hasta 413,7 kPa (60 psi)\*

Flujo máximo\*\* ..... hasta 11,36 LPM (3,0 GPM)\*

Corriente de entrada ..... 120 V, 60 Hz, 13 A, sólo corr. alt.

*\*Cuando se la utiliza con presión baja, el volumen y las libras por pulgada cuadrada máximas pueden variar debido a la presión del suministro de agua o al diámetro de la manguera de jardín que utiliza.*

*\*\*Máximo que valora determinado por el estándar de PWMA 101*

## FAMILIARÍCESE CON LA LAVADORA DE PRESIÓN

Ve la figura 3.

Para usar este producto con la debida seguridad se debe comprender la información indicada en la producto misma y en este manual, y se debe comprender también el trabajo que intenta realizar. Antes de usar este producto, familiarícese con todas las características de funcionamiento y normas de seguridad del mismo.

## INYECTOR DE DETERGENTE G-CLEAN

El inyector de detergente G-Clean le permite usar este tipo de detergente mientras emplea la lavadora de presión para limpieza de alta y baja presión.

## CLAVIJA GFCI

La lavadora de presión está equipada con una clavija GFCI como protección contra los riesgos de las redes eléctricas con fallas de conexión a tierra. Esta clavija no protege contra los cortocircuitos, las sobrecargas ni las descargas eléctricas.

## GATILLO DE PRESIÓN ALTA

Al presionar este gatillo, usted puede dosificar agua a una presión alta.

## SEGURO DEL GATILLO DE PRESIÓN ALTA

El seguro del gatillo evita el uso accidental del gatillo de presión alta.

## PALANCA DE PRESIÓN BAJA (ALTO FLUJO) / HYDROSURGE

Utilice esta palanca cuando quiera aplicar agua a baja presión o úsela junto con el gatillo de alta presión para aplicar un gran flujo de agua a alta presión.

## INTERRUPTOR DE ENCENDIDO

Con este interruptor se enciende y apaga la lavadora.

## TUBO ROCIADOR

El tubo rociador incluye dos salidas, una para rociar con presión alta y otra para rociar con presión baja (alto flujo).

## MANGO TELESCÓPICO

El mango telescópico le permite acortar el mango para guardar la unidad fácilmente.

# ARMADO

## DESEMPAQUETADO

Este producto requiere armarse.

- Corte cuidadosamente los lados de la caja y después retire la producto y cualesquier accesorios de la caja. Asegúrese de que estén presentes todos los artículos enumerados en la lista de empaquetado.

### ADVERTENCIA:

No utilice este producto si alguna pieza incluida en la lista de empaquetado ya está ensamblada al producto cuando lo desempaqueta. El fabricante no ensambla las piezas de esta lista en el producto. Éstas deben ser instaladas por el usuario. El uso de un producto que puede haber sido ensamblado de forma inadecuada podría causar lesiones personales graves.

- Inspeccione cuidadosamente la producto para asegurarse de que no haya sufrido ninguna rotura o daño durante el transporte.

- No deseche el material de empaquetado hasta que haya inspeccionado cuidadosamente la producto y la haya utilizado satisfactoriamente.
- Si hay piezas dañadas o faltantes, le suplicamos llamar al 1-800-242-4672, donde le brindaremos asistencia.

## LISTA DE EMPAQUETADO

Lavadora de presión eléctrica con manguera y inyector de Detergente G-clean  
Conjunto del mango  
Tubo de rociado  
Ruedas (2)  
Ejes (2)  
Pasadores del enganche (2)  
Arandelas (2)  
Boquilla  
Bolsa de detergente g-clean  
Boquilla de turbo  
Manual del operador

# ARMADO

## ADVERTENCIA:

Si hay piezas dañadas o faltantes, no utilice este producto sin haber reemplazado todas las piezas. Usar este producto con partes dañadas o faltantes puede causar lesiones serias al operador.

## ADVERTENCIA:

No intente modificar este producto ni hacer accesorios no recomendados para la misma. Cualquier alteración o modificación constituye maltrato, el cual puede causar una condición peligrosa, y como consecuencia posibles lesiones serias.

## ADVERTENCIA:

No conecte la unidad al suministro de corriente sin haber terminado de armarla. De lo contrario la unidad puede ponerse en marcha accidentalmente, con el consiguiente riesgo de lesiones serias.

## INSTALACIÓN DE LAS RUEDAS

Vea la figura 4.

- Localice el eje, los pasadores de enganche, las rondelles y las ruedas.
- Luego pase el eje a través del agujero situado en el centro de la rueda.
- Levante la máquina e introduzca el conjunto del eje, la rueda en el agujero de montaje de la rueda situado en la base de la máquina, como se muestra.
- Luego la arandela del eje, después empuje el pasador de enganche hacia adentro del agujero del extremo del eje para asegurar el conjunto de las ruedas.  
**NOTA:** Debe introducirse el pasador de enganche en el eje hasta que el centro de aquél descansa en la parte superior de éste.
- Repita el proceso con la segunda rueda.

## ACOPLE DEL CONJUNTO DEL MANGO

Vea la figura 5.

- Oriente el conjunto del mango como se muestra.
- Presione el botón en el conjunto del mango e insértelo en los agujeros de la lavadora de presión. Presione en el conjunto del mango hasta que el botón en el mango se trabe en su lugar con un chasquido.
- Baje ambos collares en el mango y gírelos hacia la derecha hasta asegurarlos.

## ENSAMBLAJE DEL TUBO ROCIADOR

Vea la figura 6.

- Empuje ambos extremos del tubo rociador de modo que los orificios que se encuentran dentro de cada uno queden alineados.
- Baje el collar de ajuste y gírelo en sentido contrario a las agujas del reloj hasta escuchar un clic. Este sonido indica que el rociador está apretado firmemente.
- Coloque el tubo rociador armado en el soporte del tubo rociador con el área muescada sobre el mango de la lavadora de presión.

## ACOPLE DE LAS MANGUERAS DE PRESIÓN ALTA Y MANGO DEL GATILLO

Vea la figura 7.

- La manguera de presión baja es el tubo transparente con el acoplador de plástico y se introduce en la boquilla de la parte inferior del mango del gatillo.
  - Sujete el conector de plástico y deslícelo en la boquilla hasta que se trabe en su lugar con un chasquido.

- Para retirar, presione el pestillo en la parte superior del acoplador y retire la manguera de la boquilla.
- La manguera de presión alta tiene una conexión de metal y se desliza hacia adentro de la abertura en la parte superior del mango del gatillo.
  - Sujete el seguro de la manguera y tire hacia fuera para despejar el espacio para la manguera de presión alta que se insertará.
  - Inserte completamente la manguera de presión alta en el agujero.
  - Deslice el seguro de la manguera por completo hacia atrás e introdúzcalo dentro del mango para mantener la manguera de presión alta en su lugar.

## CÓMO CONECTAR UNA MANGUERA

Vea las figuras 8 a 10.

### PRECAUCIÓN:

Siempre observe las normas locales cuando conecte las mangueras a la tubería principal de agua. En algunas áreas existen restricciones para la conexión directa al suministro público de agua potable a fin de evitar la retroalimentación de químicos al suministro de agua potable. La conexión directa a través de un tanque receptor o de una válvula contra reflujo suele estar permitida.

El suministro de agua debe venir de la tubería principal de agua. NUNCA use agua caliente o agua de piscinas, lagos, etc. Antes de conectar una manguera:

- Desenrolle la manguera de jardín.  
**NOTA:** Debe haber un mínimo de 3 m (10 pies) de manguera sin restricciones entre la entrada de la lavadora a presión y el grifo de la manguera o válvula de apagado (como un conector de apagado en Y).
- Deje correr agua por la manguera durante 30 segundos para limpiar toda la basura que pueda haber en el interior de la misma.

### Para conectar la manguera de jardín a la máquina con el inyector de detergente G-Clean:

- Afloje los tornillos del soporte y extraiga el soporte.
- Gire el inyector de detergente G-Clean en sentido contrario a las agujas del reloj para aflojarlo y extraerlo.
- Desarme el inyector según se describe en la sección **Uso del inyector de detergente** de este manual. Asegúrese de que el tamiz del inyector de detergente G-Clean no esté dañado ni obstruido. Límpielo o cámbielo según sea necesario.
- Inspeccione el cedazo del filtro en el extremo de la manguera de entrada de la lavadora de presión.
  - Si está dañado el cedazo, no utilice la máquina sino hasta haber reemplazado aquél.
  - Si está sucio el cedazo, límpielo antes de conectar la manguera de jardín a la máquina.
- Vuelva a armar el inyector, vuelva a colocarlo en la unidad y cambie el soporte.
- Con el grifo de la manguera completamente cerrado, acople el extremo de la manguera de jardín a la inyector de detergente g-clean. Apriete manualmente.

### Para conectar una manguera de jardín a la máquina:

- Extraiga el inyector G-Clean.
- Revise el tamiz del filtro en la entrada de agua. Límpielo o cámbielo según sea necesario.
- Con el grifo de la manguera completamente cerrado, acople el extremo de la manguera de jardín a la entrada de agua. Apriete manualmente.

# FUNCIONAMIENTO

## ADVERTENCIA:

No permita que su familiarización con las producto lo vuelva descuidado. Tenga presente que un descuido de un instante es suficiente para causar una lesión grave.

## ADVERTENCIA:

Siempre póngase protección ocular con la marca de cumplimiento de la norma ANSI Z87.1. La inobservancia de esta advertencia puede permitir que los objetos lanzados hacia los ojos puedan provocarle lesiones graves.

## ADVERTENCIA:

No utilice ningún aditamento o accesorio no recomendado por el fabricante de esta producto. El empleo de aditamentos o accesorios no recomendados podría causar lesiones serias.

## ADVERTENCIA:

Nunca dirija un chorro de agua en dirección de personas o animales, ni hacia dispositivos eléctricos. La inobservancia de esta advertencia podría causar lesiones serias.

## USOS

Esta herramienta puede emplearse para los fines enumerados abajo:

- Retire, rubor, enjuague la suciedad y el moho de las terrazas, patios de cemento y revestimientos de paredes
- Para limpiar vehículos, barcos deportivos, motocicletas, muebles para el exterior y parrillas para asar

## ENCENDIDO Y APAGADO DE LA LAVADORA DE PRESIÓN

Vea la figura 11.

### PRECAUCIÓN:

No ponga en marcha la bomba antes de conectar y abrir el suministro de agua.

- Conecte los manguera de jardín.
- Abra el suministro de la manguera de jardín y presione el gatillo de presión alta para liberar la presión del aire. Cuando salga un chorro constante de agua, suelte el gatillo.
- Luego de constatar que el interruptor está en la posición de APAGADO, conecte la lavadora de presión al suministro de corriente.
- Presione el botón de reajuste en la clavija de la lavadora de presión para asegurarse de que la unidad está lista para ser accionada.
- Presione **ENCENDIDO ( I )** en el interruptor para arrancar el motor.

- Para detener el motor, suelte el gatillo y presione **APAGADO ( O )** en el interruptor.

## ADVERTENCIA:

Sujete y sostenga firmemente con ambas manos el mango. Al tirar del gatillo, puede que el mango de gatillo se mueva debido a fuerzas de reacción. La inobservancia de esta advertencia puede ocasionar la pérdida de control y lesiones personales y a otros.

## USO DEL INYECTOR DE DETERGENTE G-CLEAN

Vea las figuras 12 y 13.

El inyector de detergente G-Clean le permite usar este tipo de detergente mientras emplea la lavadora de presión para limpieza de alta o baja presión.

**NOTA:** Emplee sólo el detergente G-Clean en el inyector. Cualquier otra solución puede dañar el inyector o la bomba de la lavadora de presión.

- Desconecte la lavadora de presión del suministro de corriente.
- Coloque la lavadora de presión en posición vertical sobre una superficie plana.
- Desenrosque la tapa del extremo del tubo transparente en el inyector. Extraiga la bolsa de detergente G-Clean de la bolsa de plástico y colóquela en el interior del tubo, luego vuelva a colocar la tapa y ajuste firmemente.

**NOTA:** Asegúrese de apretar la tapa firmemente. Si permite el ingreso de aire en el inyector durante su uso, la bomba de la lavadora de presión puede dañarse.

- Utilice el indicador de detergente del Inyector de detergente G-Clean para ajustar la cantidad de jabón que se usará.

Si desea enjuagar sin detergente, gire por completo el indicador en el sentido de las agujas del reloj.

Para limpiar, gire el indicador de detergente en sentido contrario a las agujas del reloj hasta alcanzar el nivel de jabón deseado.

**NOTA:** Si se coloca una bolsa de detergente G-Clean, pero el detergente no se administra, verifique el indicador para asegurarse de que no se haya rotado del todo en el sentido de las agujas del reloj. Si el indicador se encuentra en la posición correcta, asegúrese de que la bolsa de detergente se haya disuelto completamente. Si todavía no sale detergente, extraiga el Inyector de detergente G-Clean. Desenrosque el cabezal del inyector del contenedor transparente de detergente y lave la rejilla con agua.

## USO DEL GATILLOS DEL TUBO ROCIADOR

Vea la figura 14.

Para lograr la limpieza más eficaz, la boquilla rociadora debe estar de 203 mm a 610 mm (de 8 pulg. a 24 pulg.) de la superficie por limpiar. Si está demasiado cerca el chorro, puede dañar la superficie que está limpiándose.

**NOTA:** Para mayor control y seguridad, mantenga ambas manos en el tubo rociador todo el tiempo.

Muchos métodos diferentes de limpieza están disponibles. Escoja el método que más se ajuste a su proyecto de limpieza.

# FUNCIONAMIENTO

## Limpieza de presión alta:

Presione el gatillo de presión alta ubicado debajo del mango trasero. De esta manera, obtendrá un rociado de agua a presión alta.

## Limpieza de presión baja (alto flujo):

Desplace hacia adelante la palanca de presión baja ubicada en la parte superior del mango de gatillo. De esta manera, obtendrá un rociado de agua a presión baja.

**NOTA:** Al realizar sólo la limpieza de presión baja (alto flujo), presione el seguro del gatillo de presión alta para evitar oprimir por accidente este gatillo.

## Combinación limpieza/enjuague:

Para aplicar un chorro de alta presión y enjuagar el área con agua a la vez (por ejemplo, en un área extremadamente sucia), desplace hacia adelante la palanca de presión baja et presione los gatillo de presión alta.

**NOTA:** Cualquier método de limpieza o enjuague con el rociado de presión alta requiere que el interruptor de ENCENDIDO/APAGADO se encuentre en la posición de ENCENDIDO. Para los métodos en los que sólo se emplea presión baja, el interruptor puede estar tanto en la posición de ENCENDIDO como en la de APAGADO.

## USO DE LAS BOQUILLAS

Vea la figura 15.

Antes de empezar cualquier trabajo de limpieza, determine cuál es la mejor boquilla para el trabajo. La boquilla de 25° se utiliza para uso general o para superficies grandes y la boquilla turbo proporciona hasta un 50% más de poder de limpieza.

### PRECAUCIÓN:

NUNCA cambie de boquilla sin accionar el seguro del gatillo.

- Apague la lavadora de presión y cierre el suministro de agua. Oprima el gatillo para purgar el agua.
- Accione el seguro el el mango de gatillo; para ello, suba aquél hasta que se traben en la ranura.
- Tire del collar de conexión rápida.
- Introduzca la boquilla en su lugar en el tubo rociador.
- Empuje del collar adelante para que la boquilla quede correctamente asegurada. Asegúrese de que la boquilla esté asegurada.

### Para desconectar la boquilla el mango de gatillo una vez comenzado el trabajo de limpieza:

- Apague la lavadora de presión y cierre el suministro de agua. Oprima el gatillo para purgar el agua.
- Accione el seguro el el mango de gatillo; para ello, suba aquél hasta que se traben en la ranura.
- Para quitar la boquilla, coloque la mano sobre ella y a continuación tire del collar de conexión rápida. Coloque la boquilla en el lugar donde se guardan éstas, en la parte superior de la máquina.

## ACCIONAMIENTO DE LA LAVADORA DE PRESIÓN

Vea la figura 16.

### Para limpiar:

- Lleve el indicador de detergente al nivel de jabón deseado.
- Encienda la lavadora de presión y rocíe el detergente en una superficie seca realizando recorridos largos, uniformes y superpuestos. Para evitar las manchas, no deje que el detergente se seque en la superficie.
- Seleccione la presión adecuada para la tarea:
  - Use presión baja para lavar objetos como un coche o un bote.
  - Use para la presión alta tareas como desprender pintura o desgrasar el camino de entrada.
  - Emplee una combinación de presión alta y baja (alto flujo) para las áreas extremadamente sucias donde se desea un enjuague constante.

**NOTA:** Cuando emplee presión alta o una combinación de presión alta y baja (alto flujo), pruebe en un área pequeña primero para evitar dañar la superficie.

- Cuando el inyector parezca vacío y el agua comience a salir transparente, apague la lavadora de presión y reemplace la bolsa vacía por una bolsa nueva de detergente G-Clean. Las bolsas de detergente G-Clean adicionales están disponibles en las tiendas minoristas donde adquirió este producto en los siguientes tipos:
  - Limpiador de concreto y desgrasador (naranja).....AGPWC02
  - Revestimientos y usos generales (verde) .....APGWC01
  - Antimoho ecológico (amarillo) .....APGWC03

**NOTA:** Una bolsa de detergente G-Clean durará hasta 30 minutos, dependiendo de la temperatura del agua.

### Para enjuagar:

- Rote el indicador todo lo posible en el sentido de las agujas del reloj
- Rocíe fuera de la superficie que se enjuaga durante aproximadamente 10 segundos para retirar los restos de detergente de la línea.
- Comience por la parte superior por enjuagar y avance hacia abajo, traslapando cada pasada.

## CÓMO GUARDAR LA LAVADORA DE PRESIÓN

Vea la figura 17.

Cuando no se emplea la lavadora de presión, guárdela en ambientes cerrados donde no haya mucho tránsito.

- Presione el botón de liberación del mango. De esta manera, el mango podrá retraerse. Si el mango no se retrae por sí mismo, ejerza una leve presión para acortarlo.

**NOTA:** No afloje el collar de ajuste al retraer o extender el mango.

- Cuando necesita la lavadora de presión nuevamente, presione y mantenga oprimido el botón de liberación del mango mientras tira del mango hacia arriba para reestablecer la posición de funcionamiento normal.

# FUNCIONAMIENTO

Para preparar la unidad para el invierno y guardarla por períodos prolongados:

- Desconecte la conexión de agua de ser necesario.
- Encienda la lavadora de presión y déjela funcionando durante unos segundos para eliminar los restos de agua en la bomba.
- Enrolle las mangueras y colóquelas en la tira de gancho y lazada en el mango de la unidad. No permita que la manguera se retuerza.
- Guarde la unidad y los accesorios en un área que esté protegida contra las temperaturas bajo cero. No la guarde cerca de hornos u otras fuentes de calor que pueda secar los sellos de la bomba.

## PRECAUCIÓN:

Se recomienda emplear un protector para la bomba para evitar daños por temperaturas bajas mientras la unidad está guardada en los meses de invierno.

## CÓMO MOVER LA LAVADORA A PRESIÓN

Para mover la lavadora a presión:

- Apague la lavadora de presión. Apunte la boquilla hacia una dirección segura y oprima el gatillo para purgar el agua a presión.
- Almacene el tubo rociador en la unidad.
- Incline la máquina hacia usted hasta equilibrarla sobre las ruedas y después empújela a la posición deseada.

# MANTENIMIENTO



## ADVERTENCIA:

Al dar servicio a la unidad, sólo utilice piezas de repuesto idénticas. El empleo de piezas diferentes puede causar un peligro o dañar el producto.



## ADVERTENCIA:

Siempre póngase protección ocular con protección lateral con la marca de cumplimiento de la norma ANSI Z87.1. Si no cumple esta advertencia, los objetos que salen despedidos pueden producirle lesiones serias en los ojos.



## ADVERTENCIA:

Antes de inspeccionar, limpiar o dar servicio a la máquina, apague el motor, espere a que se detengan todas las piezas en movimiento, desconecte el cable de la bujía y aléjelo de ésta. El incumplimiento de cualquiera de estas instrucciones puede causar lesiones serias.



## ADVERTENCIA:

No permita en ningún momento que fluidos para frenos, gasolina, productos a base de petróleo, aceites penetrantes, etc., lleguen a tocar las piezas de plástico. Las sustancias químicas pueden dañar, debilitar o destruir el plástico, lo cual a su vez puede producir lesiones corporales serias.

Solamente las piezas mostradas en la lista de piezas pueden ser reparadas o cambiadas por el consumidor. Todas las piezas restantes deben ser reemplazadas en un centro de servicio autorizado.

## LUBRICACIÓN PARA LA BOMBA

La bomba de esta herramienta están lubricado con suficiente cantidad de aceite de alta calidad para toda la vida útil de la unidad en condiciones normales de funcionamiento. Por lo tanto, no se necesita lubricación adicional.

## MANTENIMIENTO DEL INYECTOR DE DETERGENTE G-CLEAN

Antes de guardar el inyector de detergente G-Clean, enjuáguelo para eliminar cualquier resto de detergente y deje que se seque por completo antes de volver a armarlo.

## REEMPLAZO DEL CORDÓN DE CORRIENTE

Un centro de servicio autorizado deben cambiar el cordón de corriente, en caso de que sea necesario, para evitar peligros.

## MANTENIMIENTO GENERAL

Evite el empleo de solventes al limpiar piezas de plástico. La mayoría de los plásticos son susceptibles a diferentes tipos de solventes comerciales y pueden resultar dañados. Utilice paños limpios para eliminar la suciedad, el polvo, el aceite, la grasa, etc.

# SOLUCIÓN DE PROBLEMAS

Problema	Causa posible	Solución
La lavadora de presión no se enciende cuando se presiona el gatillo.	<p>El cordón eléctrico no está conectado al suministro de corriente</p> <p>El interruptor está apagado</p> <p>El GFCI está accionado</p> <p>El disyuntor de la casa o del taller se accionó</p>	<p>Conecte el cordón eléctrico a un receptáculo alimentado con 120 V corr. alt., 60 Hz corr. alt.</p> <p>Encienda el interruptor.</p> <p>Presione el botón de reajuste en la clavija GFCI.</p> <p>Reajuste el disyuntor de la casa o del taller. Asegúrese de que la lavadora de presión esté conectada a un subcircuito individual únicamente. Si emplea un cordón de extensión, asegúrese que posea la capacidad suficiente para transportar la corriente de la lavadora de presión.</p>
La bomba no genera presión	<p>El suministro de agua es inadecuado</p> <p>El tubo rociador tiene fugas</p> <p>Está tapada la boquilla</p> <p>Está defectuosa la bomba</p> <p>Aire en el conductor</p> <p>El filtro de entrada de agua está tapado o sucio.</p>	<p>Suministre un flujo de agua adecuado.</p> <p>Verifique las conexiones y/o reemplace el tubo.</p> <p>Limpie la boquilla.</p> <p>Comuníquese con un centro de servicio autorizado.</p> <p>Oprima el gatillo del tubo rociador para eliminar el aire del conductor.</p> <p>Retire el filtro de entrada de agua, enjuague con agua tibia y, luego, vuelva a colocarlo en la unidad.</p>
La máquina no alcanza presión alta	<p>Está demasiado pequeño el diámetro de la manguera de jardín</p> <p>Está restringido el suministro de agua</p> <p>No hay suficiente agua en la entrada</p>	<p>Reemplácela con una manguera de 19 mm (3/4 pulg).</p> <p>Check garden hose for kinks, leaks, and blockages.</p> <p>Abra el suministro de agua a toda su capacidad.</p>
No hay detergente	<p>El tanque de detergente está vacío</p> <p>El indicador del inyector de detergente se rota lo más posible en el sentido de las agujas del reloj.</p> <p>El suministro de agua es insuficiente o está tapado</p>	<p>Cambie la bolsa de detergente.</p> <p>Rote el indicador en sentido contrario a las agujas del reloj hasta alcanzar el nivel de jabón deseado.</p> <p>Verifique si la manguera de jardín está retorcida o si tiene fugas y obstrucciones.</p>
El tubo tiene fugas	<p>Debe reemplazar la junta tórica</p>	<p>Reemplace la junta tórica. Si no se soluciona el problema mediante este proceso, comuníquese con el centro de servicio autorizado para comprar un tubo nuevo.</p>

# GARANTÍA

## DECLARACIÓN DE GARANTÍA LIMITADA CON EXCEPCIÓN DEL MOTOR

Homelite Consumer Products, Inc. garantiza al comprador original al menudeo que este producto de la marca Homelite® carece de defectos en los materiales y en la mano de obra, y acuerda reparar o reemplazar, a la sola discreción de Homelite Consumer Products, Inc., cualquier producto defectuoso, sin cargo alguno al comprador, dentro de los siguientes períodos de tiempo a partir de la fecha de compra:

- Dos años si el producto se emplea para uso personal, familiar o doméstico.

Esta garantía únicamente se ofrece al comprador original al menudeo y comienza en la fecha de la compra original al menudeo.

Cualquier parte de este producto que, a juicio razonable de Homelite Consumer Products, Inc., tenga defectos en los materiales o en la mano de obra, será reparado o reemplazado por un centro de servicio autorizado de lavadoras de presión Homelite® (un centro de servicio autorizado de Homelite®).

El producto, incluida toda pieza defectuosa, debe enviarse a un establecimiento de servicio autorizado Homelite® dentro del período de la garantía. El gasto de enviar el producto al centro de servicio para cualquier trabajo cubierto por la garantía, así como el gasto de devolverlo al propietario después de la reparación, correrán por cuenta del propietario. La responsabilidad de Homelite Consumer Products, Inc. con respecto a todo reclamo se limita a las reparaciones o reemplazo del producto, y ningún reclamo de incumplimiento de la garantía será causante de la cancelación o rescisión del contrato de venta de ninguna lavadora de presión de la marca Homelite®. En el establecimiento se requerirá el recibo de compra para respaldar cualquier reclamo al amparo de la garantía. Todo trabajo cubierto en la garantía debe ser realizado por un centro de servicio autorizado de Homelite Consumer Products, Inc.

Esta garantía no cubre ningún producto que haya sido sujeto a un uso indebido, maltrato, negligencia o accidente, que haya sido usado para propósitos de alquiler o comerciales, o que haya sido utilizado de cualquier forma contraria a las instrucciones de manejo especificadas en el manual del operador del producto de Homelite Consumer Products, Inc. Esta garantía no cubre ningún daño sufrido por el producto causado por un mantenimiento inadecuado, ni ningún producto que haya sido alterado o modificado de manera que haya resultado afectado desfavorablemente el funcionamiento, el desempeño o la durabilidad del producto, o haya cambiado el uso para el que fue diseñado. La garantía no cubre las reparaciones que resulten necesarias por el desgaste normal o por el uso de piezas o accesorios que sean incompatibles con la lavadora

de presión Homelite® o que afecten adversamente su funcionamiento, desempeño o durabilidad.

Además, esta garantía no cubre:

A. Artículos sujetos a desgaste – Mangueras, adaptadores, boquillas rociadoras, ruedas, tubo rociador  
Homelite Consumer Products, Inc. se reserva el derecho a cambiar o mejorar el diseño de cualquier lavadora de presión de la marca Homelite® sin asumir ninguna obligación de modificar ningún producto fabricado previamente.

TODAS LAS GARANTÍAS IMPLÍCITAS ESTÁN LIMITADAS EN DURACIÓN SEGÚN EL PERÍODO DE GARANTÍA DECLARADA. COMO CORRESPONDE, TODA GARANTÍA IMPLÍCITA, INCLUIDAS LAS DE COMERCIABILIDAD, IDONEIDAD PARA UN PROPÓSITO EN PARTICULAR, O DE CUALQUIER OTRO TIPO, SE DESCONOCE POR COMPLETO DESPUÉS DEL PERÍODO DE GARANTÍA CORRESPONDIENTE DE UN AÑO. DE CONFORMIDAD CON ESTA GARANTÍA, LA OBLIGACIÓN DE HOMELITE CONSUMER PRODUCTS, INC. SE LIMITA ESTRUCTIVA Y EXCLUSIVAMENTE A LA REPARACIÓN O REEMPLAZO DE LAS PIEZAS DEFECTUOSAS, Y HOMELITE CONSUMER PRODUCTS, INC. NO ASUME NINGUNA OTRA OBLIGACIÓN, NI AUTORIZA A NADIE ASUMIRLA A NOMBRE DE DICHA COMPAÑÍA. ALGUNOS ESTADOS NO PERMITEN LIMITACIONES EN CUANTO A LA DURACIÓN DE UNA GARANTÍA IMPLÍCITA, POR LO CUAL ES POSIBLE QUE LA LIMITACIÓN ANTERIOR NO SE APLIQUE EN SU CASO. HOMELITE CONSUMER PRODUCTS, INC., NO ASUME NINGUNA RESPONSABILIDAD POR DAÑOS INCIDENTES, CONSECUENTES, NI DE NINGÚN OTRO TIPO, COMO EL GASTO DE DEVOLVER EL PRODUCTO A UN CENTRO DE SERVICIO AUTORIZADO DE HOMELITE® Y LOS GASTOS PARA DEVOLVER DICHO PRODUCTO A SU PROPIETARIO RESPECTIVO, EL TIEMPO DE VIAJE DEL MECÁNICO, LLAMADAS TELEFÓNICAS O TELEGRAMAS, EL ALQUILER DE EQUIPOS SIMILARES DURANTE EL TIEMPO DE REALIZACIÓN DEL SERVICIO EN VIRTUD DE LA GARANTÍA, VIAJES, PÉRDIDAS O DAÑOS A ARTÍCULOS DE PROPIEDAD PERSONAL, PÉRDIDA DE INGRESOS, PÉRDIDA DE USO DEL PRODUCTO, PÉRDIDA DE TIEMPO, O INCONVENIENCIA; ALGUNOS ESTADOS NO PERMITEN LA EXCLUSIÓN NI LA LIMITACIÓN DE LOS DAÑOS DIRECTOS O INDIRECTOS, POR LO CUAL LA LIMITACIÓN O EXCLUSIÓN ANTERIOR QUIZÁS NO SE APLIQUE EN SU CASO.

Esta garantía le confiere derechos legales específicos, y es posible que usted goce de otros derechos, los cuales pueden variar de estado a estado.

Esta garantía se aplica a todas las lavadoras de presión de la marca Homelite® fabricadas por Homelite Consumer Products, Inc. y vendidos en Estados Unidos y Canadá.

Para encontrar el centro de servicio autorizado Homelite® más cercano a usted, llame al 1-800-242-4672.



# ELECTRIC PRESSURE WASHER

NETTOYEUR PRESSION À ÉLECTRIQUE

LAVADORA DE PRESIÓN A ELÉCTRICA

## OPERATOR'S MANUAL

HL80220

MANUEL D'UTILISATION

MANUAL DEL OPERADOR

### **WARNING:**

The engine exhaust from this product contains chemicals known to the State of California to cause cancer, birth defects, or other reproductive harm. **CALIFORNIA PROPOSITION 65**

### **AVERTISSEMENT :**

Les gaz d'échappement de ce produit contiennent des produits chimiques identifiés par l'état de Californie comme causes de cancer, de malformations congénitales et d'autres troubles de l'appareil reproducteur.

**PROPOSITION 65 DE L'ÉTAT DE CALIFORNIE**

### **ADVERTENCIA:**

Las emanaciones provenientes del escape del motor de este producto contienen sustancias químicas reconocidas por el estado de California como causantes de cáncer, defectos congénitos y otras afecciones del aparato reproductor.

**CALIFORNIA - PROPUESTA DE LEY NÚM. 65**

### **SERVICE**

For parts or service, contact your nearest Homelite authorized service dealer. Be sure to provide all relevant information when you call or visit. For the location of the authorized service dealer nearest you, please call 1-800-242-4672 or visit us online at [www.homelite.com](http://www.homelite.com).

### **REPAIR PARTS**

The model number of this product is found on a plate or label attached to the housing. Please record the serial number in the space provided below.

**MODEL NO.** HL80220

**SERIAL NO.** \_\_\_\_\_

.....

### **DÉPANNAGE**

Pour tout entretien ou réparation du produit, contacter le centre de réparations Homelite agréé le plus proche. Veiller à fournir toutes les informations pertinentes lors de tout appel téléphonique ou visite. Pour obtenir l'adresse du centre de réparations agréé le plus proche, téléphoner au 1-800-242-4672, ou visiter notre site [www.homelite.com](http://www.homelite.com).

### **PIÈCES DE RECHANGE**

Le numéro de modèle se trouve sur une plaquette ou étiquette placée sur le bâti. Noter le numéro de série dans l'espace ci-dessous.

**NUMÉRO DE MODÈLE** HL80220

**NUMÉRO DE SÉRIE** \_\_\_\_\_

.....

### **SERVICIO**

Para obtener piezas o servicio, comuníquese con el centro de servicio autorizado de Homelite más cercano. Asegúrese de proporcionar todos los datos pertinentes al llamar o al presentarse personalmente. Para obtener información sobre el establecimiento de servicio autorizado más cercano a usted, le suplicamos llamar al 1-800-242-4672 o visitar nuestro sitio en la red mundial, en la dirección [www.homelite.com](http://www.homelite.com).

### **PIEZAS DE REPUESTO**

El número de modelo de este producto se encuentra en una placa o etiqueta pegada a la caja del motor. Le recomendamos anotar el número de serie en el espacio suministrado abajo.

**NÚMERO DE MODELO** HL80220

**NÚMERO DE SERIE** \_\_\_\_\_

## **HOMELITE CONSUMER PRODUCTS, INC.**

1428 Pearman Dairy Road, Anderson, SC 29625

1-800-242-4672 • [www.homelite.com](http://www.homelite.com)