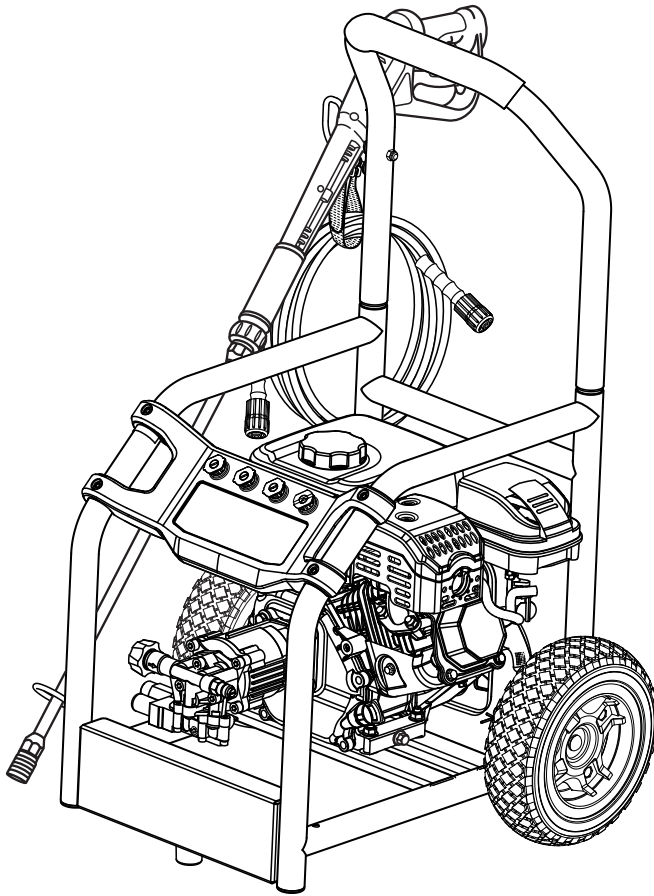


Homelite®

OPERATOR'S MANUAL MANUEL D'UTILISATION MANUAL DEL OPERADOR



2600 PSI PRESSURE WASHER NETTOYEUR HAUTE PRESSION DE 2 600 PSI LAVADORA A PRESIÓN DE 2 600 PSI UT80522 / UT80953

To register your Homelite product, please visit:
<http://register.homelite.com/>

Pour enregistrer votre produit de Homelite, s'il vous plaît la visitez:
<http://register.homelite.com/>

Para registrar su producto de Homelite, por favor visita:
<http://register.homelite.com/>

Your pressure washer has been engineered and manufactured to our high standard for dependability, ease of operation, and operator safety. When properly cared for, it will give you years of rugged, trouble-free performance.

⚠ WARNING: To reduce the risk of injury, the user must read and understand the operator's manual before using this product.

Thank you for your purchase.

SAVE THIS MANUAL FOR FUTURE REFERENCE

Ce nettoyeur haute pression a été conçu et fabriqué conformément aux strictes normes de fiabilité, simplicité d'emploi et sécurité d'utilisation. Correctement entretenu, il vous donnera des années de fonctionnement robuste et sans problème.

⚠ AVERTISSEMENT : Pour réduire les risques de blessures, l'utilisateur doit lire et veiller à bien comprendre le manuel d'utilisation avant d'utiliser ce produit.

Merci de votre achat.

**CONSERVER CE MANUEL POUR
FUTURE RÉFÉRENCE**

Su lavadora de presión ha sido diseñada y fabricada de conformidad con las estrictas normas para brindar fiabilidad, facilidad de uso y seguridad para el operador. Con el debido cuidado, le brindará muchos años de sólido y eficiente funcionamiento.

⚠ ADVERTENCIA: Para reducir el riesgo de lesiones, el usuario debe leer y comprender el manual del operador antes de usar este producto.

Le agradecemos su compra.

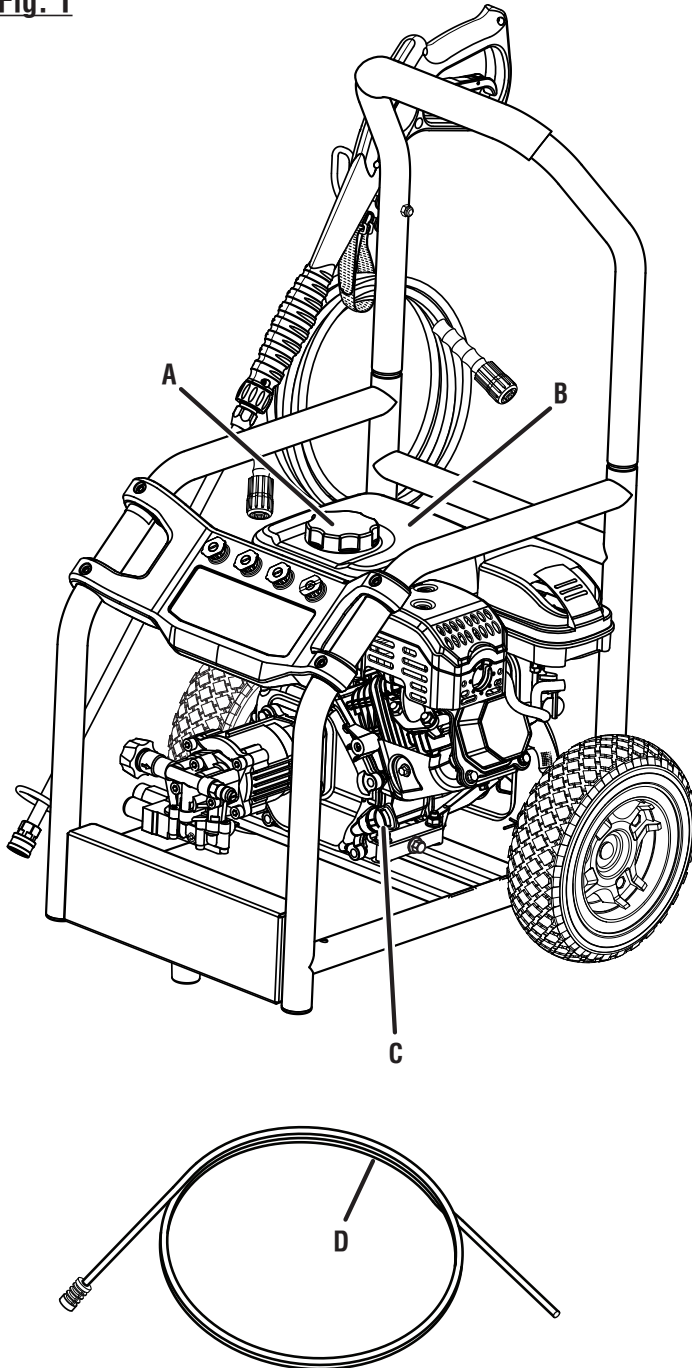
**GUARDE ESTE MANUAL PARA
FUTURAS CONSULTAS**

See this fold-out section for all of the figures referenced in the operator's manual.

Consulter l'encart à volets afin d'examiner toutes les figures mentionnées dans le manuel d'utilisation.

Consulte esta sección desplegable para ver todas las figuras a las que se hace referencia en el manual del operador.

Fig. 1

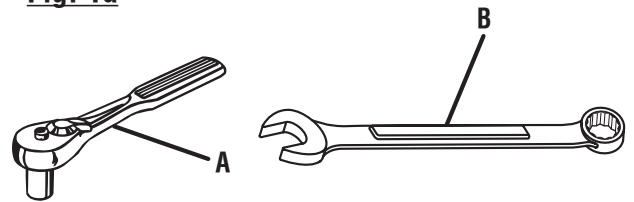


- A - Fuel cap (bouchon de carburant, tapa del combustible)
- B - Fuel tank (réservoir de carburant, tanque de combustible)
- C - Oil cap/dipstick (bouchon/jauge d'huile , tapa del aceite con varilla de nivel)
- D - Injection hose (d'injection transparent, manguera de inyección)

- E - Engine switch (commutateur du moteur, interruptor del motor)
- F - High pressure hose (manguera de alta presión)
- G - Nozzle storage (buses et rangement de buse, boquillas y compartiments para boquillas)
- H - Handle (poignée, mango)

- I - Trigger handle (poignée de gâchette, mango del gatillo)
- J - Trigger with lock out (gâchette avec verouillage, gatillo con seguro)
- K - Spray wand (lance de pulvérisation, tubo de rociado)

Fig. 1a



- A - 13 mm socket wrench (clé à douille 13 mm, llave de casquillo 13 mm)
- B - 10 mm wrench (clé 10 mm, llave 10 mm)

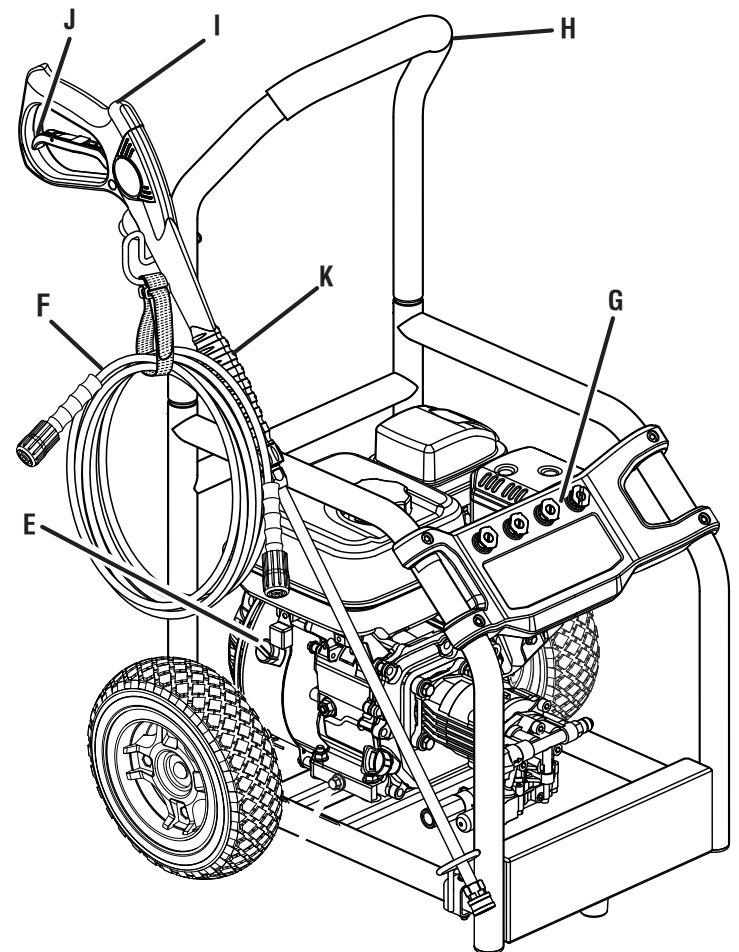
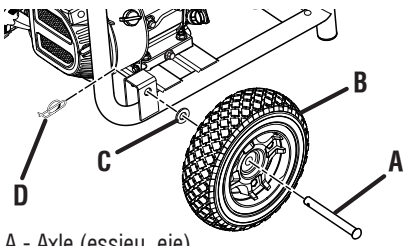
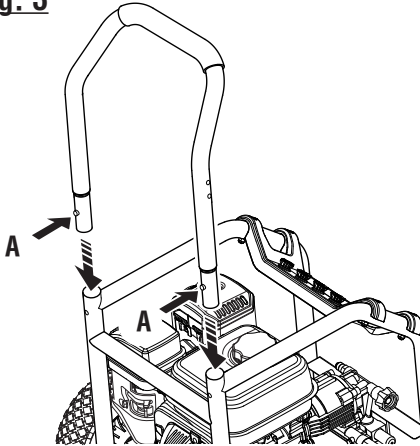


Fig. 2



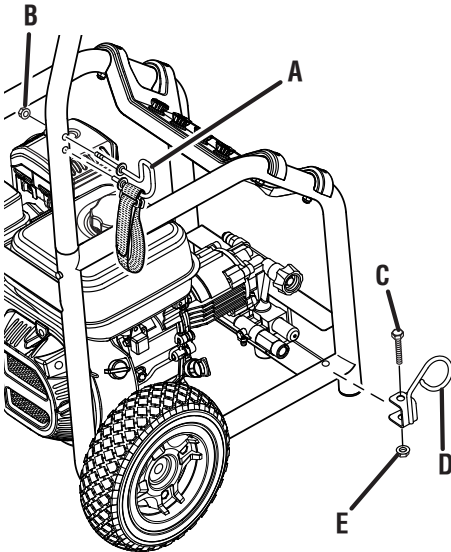
- A - Axle (essieu, eje)
- B - Wheel (disque, rueda)
- C - Washer (rondelle, conector)
- D - Hitch pin (goupille de sûreté, pasador del enganche)

Fig. 3



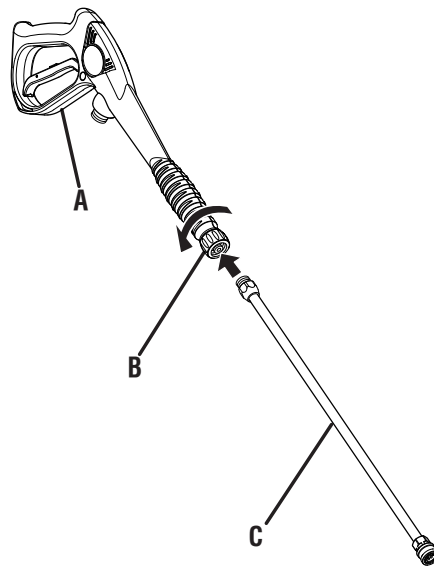
- A - Push to insert (capuchon de verrouillage du manche, tapa de aseguramiento del mango)

Fig. 4



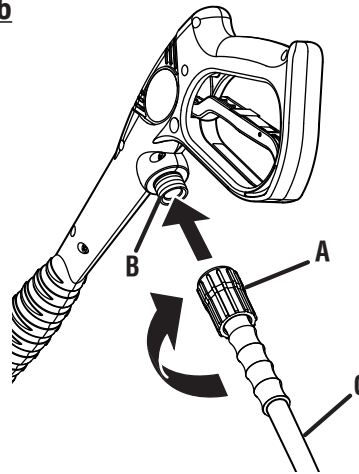
- A - Upper spray wand holder (support de la lance d'arrosage supérieur, soporte para el tubo rociador superior)
- B - Lock nut (écrou de blocage, tuerca de seguridad)
- C - Bolt (boulon, perno)
- D - Lower spray wand holder (support de la lance d'arrosage inférieur, soporte para el tubo inferior)
- E - Flange nut (écrou à embase, tuerca de brida)

Fig. 5



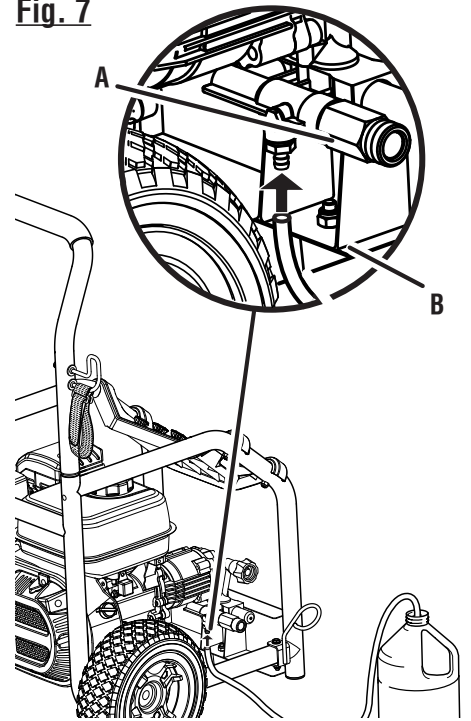
- A - Trigger handle (poignée à gâchette, mango del gatillo)
- B - Connector (connecteur, conector)
- C - Spray wand (lance de pulvérisation, tubo de rociado)

Fig. 6



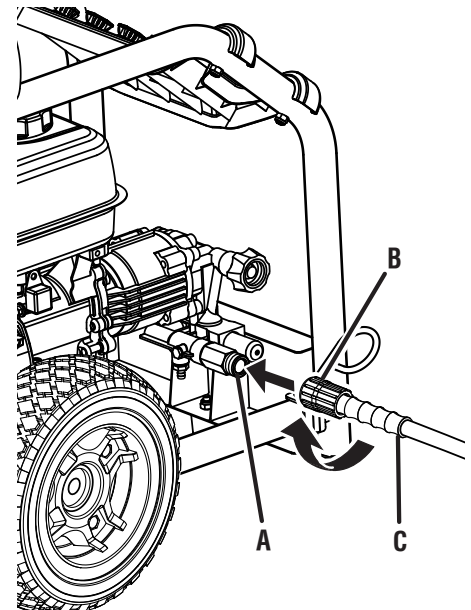
- A - Collar (collier, casquillo)
- B - Inlet coupler (raccord d'entrée, acoplador de entrada)
- C - High pressure hose (tuyau haute pression, manguera de alta presión)

Fig. 7



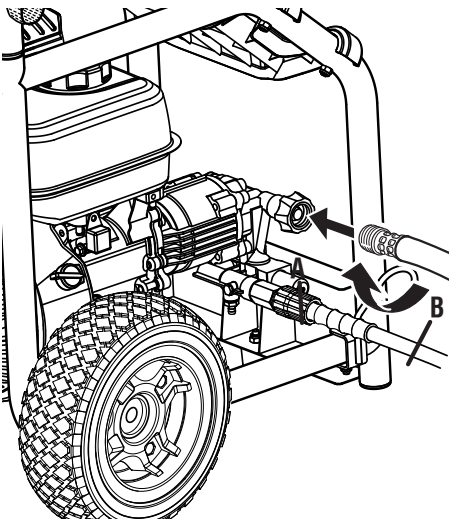
- A - Injection hose fitting (raccord du flexible d'injection, adaptador de la manguera de inyección)
- B - Injection hose (flexible d'injection, manguera de inyección)

Fig. 8



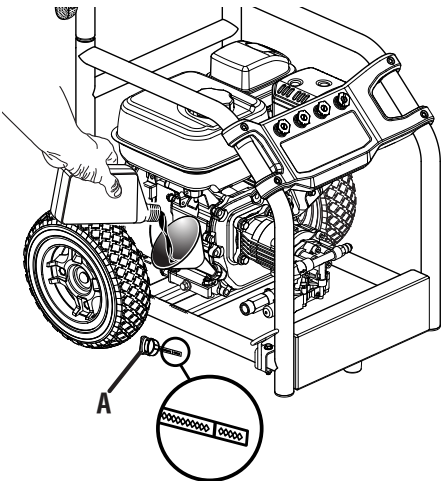
- A - Threaded outlet (têton fileté, conexión roscada)
- B - Collar (collier, casquillo)
- C - High-pressure hose (flexible haute pression, manguera de alta presión)

Fig. 9



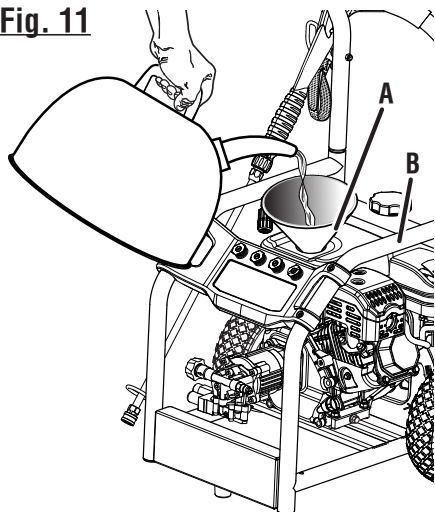
A - Water intake (rise d'eau, entrada de agua)
 B - Garden hose (tuyau d'arrosage, manguera de jardín)

Fig. 10



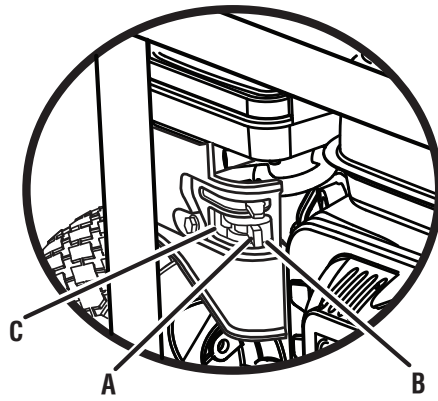
A - Oil cap/dipstick (bouchon / jauge d'huile, tapa del aceite con varilla de nivel)

Fig. 11



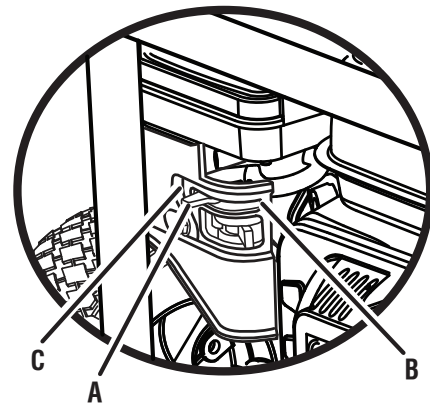
A - Funnel (entonnoir, embudo)
 B - Fuel cap (bouchon du réservoir bouchon du réservoir, tapa del tanque de combustible)

Fig. 12



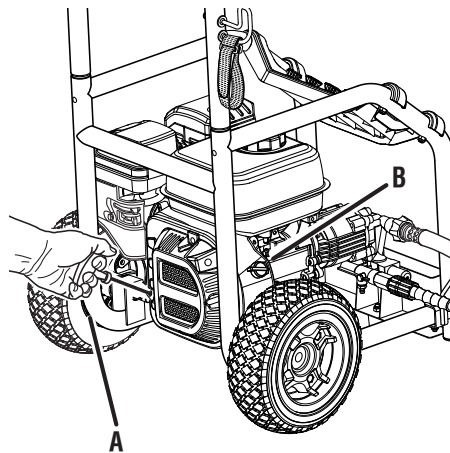
A - Fuel Valve (robinet de carburant, válvula de combustible)
 B - ON position (marche, encendido)
 C - OFF position (arrêt, apagado)

Fig. 13



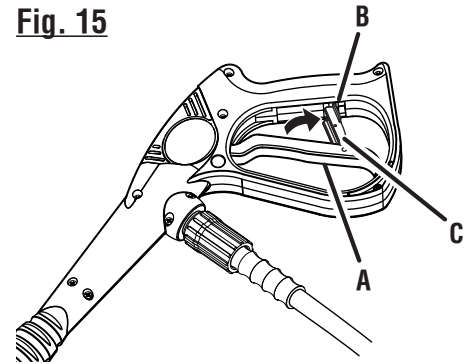
A - Choke lever (levier d'étrangleur, palanca del anegador)
 B - OFF (RUN) position (position RUN [marche], posición FUNCIONAMIENTO)
 C - ON (COLD START) position (Position COLD START [démarrage à froid], posición de arranque en FRÍO)

Fig. 14



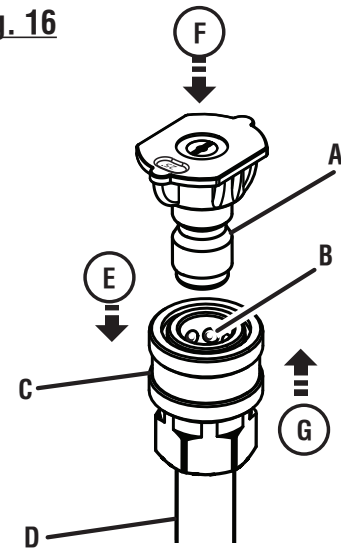
A - Recoil starter (lanceur à rappel, arrancador retráctil)
 B - Engine switch (interrupteur du moteur, interruptor del motor)

Fig. 15



A - Trigger (gâchette, gatillo)
 B - Slot (fente, ranura)
 C - Lock Out (bouton de verrouillage, seguro)

Fig. 16



A - Nozzle (embout, boquilla)
 B - "Click" (déclat, hasta que trabe)
 C - Quick-connect collar (casquillo de conexión rápida)
 D - Spray wand (lance de pulvérisation, tubo de rociador)
 E - Pull back the quick-connect collar (tirer la bague à connexion rapide, tire del collar de conexión rápida)
 F - Push the nozzle into place (insérer en place la buse, introduzca la boquilla en su lugar)
 G - Push the collar forward (poussez en avant la bague, empuje del collar adelante)

Fig. 17

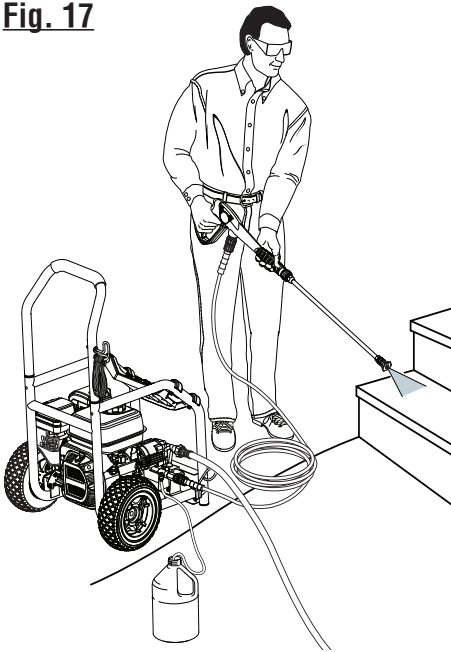
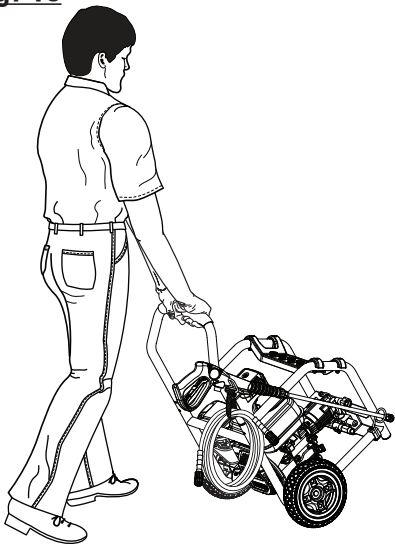
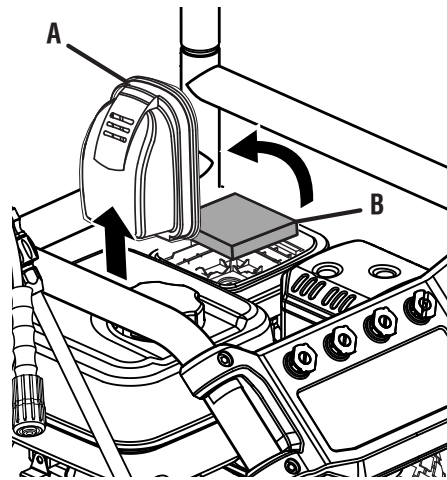


Fig. 18



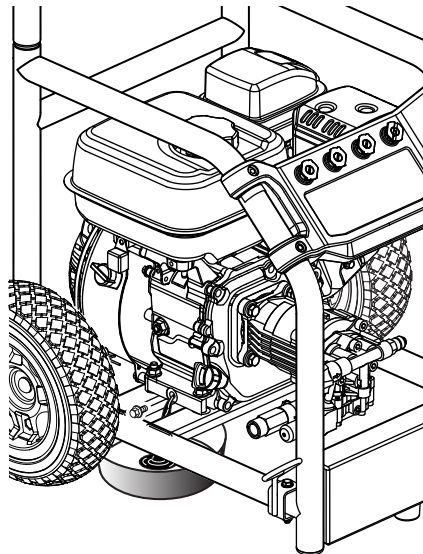
**TO MOVE THE MACHINE
DÉPLACEMENT DE LA MACHINE
PARA MOVER LA MÁQUINA**

Fig. 19



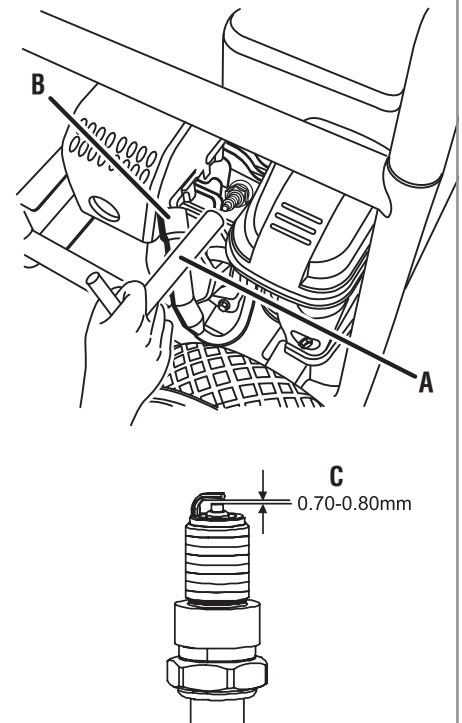
A - Filter cover (couverture du filtre à air, tapa de la cámara de ventilación)
B - Foam filter (filtre, filtro)

Fig. 20



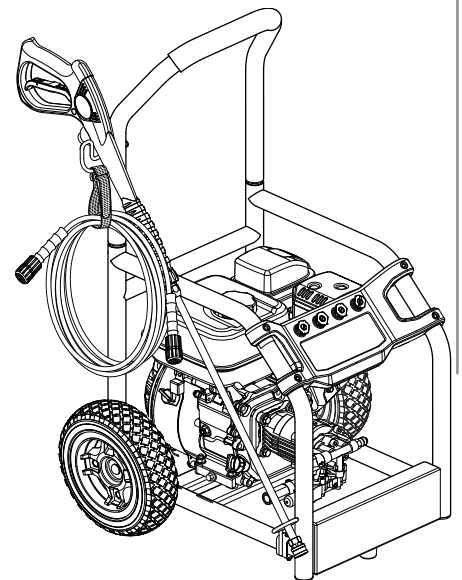
**CHANGING LUBRICANT
VIDANGE DE LE LUBRIFIANT
CAMBIO DEL LUBRICANTE**

Fig. 21



A - Spark plug wrench (clé à bougie, llave para bujía)
B - Spark plug cap (creux de la bougie, tapa ce la bujía)
C - Correct electrode gap (correct l'écartement des pointes d'électrode, correcta separación interelectrónica)

Fig. 22



**TO STORE THE MACHINE
REMISAGE DE LA MACHINE
PARA GUARDAR LA MÁQUINA**

TABLE OF CONTENTS

TABLE DES MATIÈRES / ÍNDICE DE CONTENIDO

■ Introduction	2
Introduction / Introducción	
■ Important Safety Instructions	3
Instructions importantes concernant la sécurité / Instrucciones importantes de seguridad	
■ Specific Safety Rules.....	4
Règles de sécurité particulières / Reglas de seguridad específicas	
■ Symbols.....	5-6
Symboles / Símbolos	
■ Features.....	7
Caractéristiques / Características	
■ Assembly	7-9
Assemblage / Armado	
■ Operation.....	9-12
Utilisation / Funcionamiento	
■ Maintenance.....	12-14
Entretien / Mantenimiento	
■ Troubleshooting	15
Dépannage / Solución de problemas	
■ Warranty	16-17
Garantie / Garantía	
■ Parts Ordering and Service	Back Page
Commande de pièces et réparation / Pedidos de piezas y servicio	Page arrière / Pág. posterior

INTRODUCTION

INTRODUCCIÓN

This product has many features for making its use more pleasant and enjoyable. Safety, performance, and dependability have been given top priority in the design of this product making it easy to maintain and operate.

* * *

Ce produit offre de nombreuses fonctions destinées à rendre son utilisation plus plaisante et satisfaisante. Lors de la conception de ce produit, l'accent a été mis sur la sécurité, les performances et la fiabilité, afin d'en faire un outil facile à utiliser et à entretenir.

* * *

Este producto ofrece numerosas características para hacer más agradable y placentero su uso. En el diseño de este producto se ha conferido prioridad a la seguridad, el desempeño y la fiabilidad, por lo cual se facilita su manejo y mantenimiento.

IMPORTANT SAFETY INSTRUCTIONS

WARNING:

Read and understand all instructions. Failure to follow all instructions listed below may result in electric shock, fire and/or carbon monoxide poisoning which will cause death or serious personal injury.

READ ALL INSTRUCTIONS




- **Know your tool.** Read the operator's manual carefully. Learn the machine's applications and limitations as well as the specific potential hazards related to this tool.
- **Keep guards in place** and in working order. Never operate the tool with any guard or cover removed. Make sure all guards are operating properly before each use.
- **Remove adjusting keys and wrenches.** Form habit of checking to see that keys and adjusting wrenches are removed from tool before turning it on.
- **To reduce the risk of injury,** keep children and visitors away. All visitors should wear safety glasses and be kept a safe distance from work area.
- **Keep the area of operation clear of all persons,** particularly small children, and pets.
- **Do not operate the engine in a confined space** where dangerous carbon monoxide fumes can collect. Carbon monoxide, a colorless, odorless, and extremely dangerous gas, can cause unconsciousness or death.
- **Use right tool.** Don't force tool or attachment to do a job it was not designed for. Don't use it for a purpose not intended.
- **Dress properly.** Do not wear loose clothing, gloves, neckties, or jewelry. They can get caught and draw you into moving parts. Rubber gloves and nonskid footwear are recommended when working outdoors. Also wear protective hair covering to contain long hair.
- **Do not operate the equipment while barefoot or when wearing sandals or similar lightweight footwear.** Wear protective footwear that will protect your feet and improve your footing on slippery surfaces.
- **Exercise caution to avoid slipping or falling.**
- **Always wear eye protection with side shields marked to comply with ANSI Z87.1.** Following this rule will reduce the risk of serious personal injury.
- **Don't overreach or stand on unstable support.** Keep proper footing and balance at all times.
- **Use only recommended accessories.** The use of improper accessories may cause risk of injury.
- **Follow the maintenance instructions specified in this manual.**
- **Check damaged parts.** Before further use of the tool, a guard or other part that is damaged should be carefully checked to determine that it will operate properly and perform its intended function. Check for alignment of moving parts, binding of moving parts, breakage of parts, mounting, and any other conditions that may affect its operation. A guard or other part that is damaged must be properly repaired or replaced by an authorized service center to avoid risk of personal injury.
- **Never leave tool running unattended. Turn power off.** Don't leave tool until it comes to a complete stop.
- **Keep the engine free of grass, leaves, or grease** to reduce the chance of a fire hazard.
- **Keep the exhaust pipe free of foreign objects.**
- **Follow manufacturer's recommendations for safe loading, unloading, transport, and storage of machine.**
- **Be thoroughly familiar with controls.** Know how to stop the product and bleed pressure quickly.
- **Keep tool dry, clean, and free from oil and grease.** Always use a clean cloth when cleaning. Never use brake fluids, gasoline, petroleum-based products, or any solvents to clean tool.
- **Stay alert and exercise control.** Watch what you are doing and use common sense. Do not operate tool when you are tired. Do not rush.
- **Do not operate the product while under the influence of drugs, alcohol, or any medication.**
- **Check the work area before each use.** Remove all objects such as rocks, broken glass, nails, wire, or string which can be thrown or become entangled in the machine.
- **Do not use tool if switch does not turn it off.** Have defective switches replaced by an authorized service center.
- **Before cleaning, repairing, or inspecting,** shut off the engine and make certain all moving parts have stopped. Disconnect the spark plug wire, and keep the wire away from the plug to prevent accidental starting.
- **Avoid dangerous environment.** Don't use in damp or wet locations or expose to rain. Keep work area well lit.
- **Never use in an explosive atmosphere.** Normal sparking of the motor could ignite fumes.
- **Do not operate while smoking or near an open flame.**
- **Do not operate around dry brush, twigs, cloth rags, or other flammable materials.**
- **WARNING: Risk of injection or injury** – Do not direct discharge stream at persons.

SPECIFIC SAFETY RULES









- **Product users on United States Forest Service land, and in some states, must comply with fire prevention regulations.** This product is not equipped with a spark arrestor; however, other user requirements may apply. Check with your federal, state, or local authorities. Before this engine is operated on any U.S. Forest Service regulated property, a spark arrestor must be installed.
- **Never direct a water stream toward people or pets, or any electrical device.**
- **Before starting any cleaning operation,** close doors and windows. Clear the area to be cleaned of debris, toys, outdoor furniture, or other objects that could create a hazard.
- **Never pick up or carry a machine while the engine is running.**
- **Never start the machine** if ice has formed in any part of the equipment.
- **Do not use acids, alkalines, solvents, flammable material, bleaches, or industrial grade solutions** in this product. These products can cause physical injuries to the operator and irreversible damage to the machine.
- **Always operate the machine** on a level surface. If the engine is on an incline, it could seize due to improper lubrication (even at the maximum oil level).
- **WARNING: High pressure jets can be dangerous if subject to misuse.** The jet must not be directed at persons, animals, electrical devices, or the machine itself.
- **Never attempt to make any adjustments while the engine (motor) is running** (except where specifically recommended by the manufacturer).
- **Protective covers must always cover rotating parts when the engine is running.**
- **Keep cooling air intake** (recoil starter area) and muffler side of the engine at least 3 feet away from buildings, obstructions, and other combustible objects.
- **Keep the engine away from flammables and other hazardous materials.**
- **Keep away from hot parts.** The muffler and other engine parts become very hot; use caution.
- **Do not touch the spark plug and ignition cable** when starting and operating the engine.
- **Check fuel hoses and joints** for looseness and fuel leakage before each use.
- **Check bolts and nuts** for looseness before each use. A loose bolt or nut may cause serious engine problems.
- **Always refuel outdoors.** Never refuel indoors or in a poorly ventilated area.
- **Never store the machine with fuel in the fuel tank inside a building** where ignition sources are present, such as hot water and space heaters, clothes dryers, and the like.
- **If the fuel tank has to be drained, do this outdoors.**
- **To reduce the risk of fire and burn injury,** handle fuel with care. It is highly flammable.
- **Do not smoke while handling fuel.**
- **Add fuel before starting the engine.** Never remove the cap of the fuel tank or add fuel while the engine is running or when the engine is hot.
- **Loosen fuel cap slowly** to release pressure and to keep fuel from escaping around the cap.
- **Replace all fuel tank and container caps securely.**
- **Wipe spilled fuel from the unit.** Move 30 feet away from refueling site before starting engine.
- **If fuel is spilled,** do not attempt to start the engine but move the machine away from the area of spillage and avoid creating any source of ignition until fuel vapors have dissipated.
- **Never attempt to burn off spilled fuel under any circumstances.**
- **Before storing, allow the engine to cool.**
- **Store fuel in a cool, well-ventilated area,** safely away from spark and/or flame-producing equipment.
- **Store fuel in containers** specifically designed for this purpose.
- **Empty fuel tank and restrain the unit from moving** before transporting in a vehicle.
- **When servicing use only identical replacement parts.** Use of any other parts may create a hazard or cause product damage.
- **ONLY use cold water.**
- **Make sure minimum clearance** of 3 feet is maintained from combustible materials.
- **Never spray close to the surface** to be cleaned as you can damage the surface.
- **After stopping the engine, always pull the trigger on the trigger handle to relieve stored pressure in the high pressure hose.** Failure to do so could result in serious personal injury.
- **Ensure the high pressure hose is properly connected before using the product.**
- **Save these instructions.** Refer to them frequently and use them to instruct other users. If you loan someone this tool, loan them these instructions also.

SYMBOLS

The following signal words and meanings are intended to explain the levels of risk associated with this product.


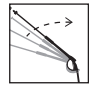


SYMBOL	SIGNAL	MEANING
	DANGER:	Indicates an imminently hazardous situation, which, if not avoided, will result in death or serious injury.
	WARNING:	Indicates a potentially hazardous situation, which, if not avoided, could result in death or serious injury.
	CAUTION:	Indicates a potentially hazardous situation, which, if not avoided, may result in minor or moderate injury.
	CAUTION:	(Without Safety Alert Symbol) Indicates a situation that may result in property damage.

Some of the following symbols may be used on this product. Please study them and learn their meaning for safe operation of this product.

SYMBOL	NAME	EXPLANATION
	Safety Alert	Indicates a potential personal injury hazard.
	Read Operator's Manual	To reduce the risk of injury, user must read and understand operator's manual before using this product.
	Eye Protection	Always wear eye protection with side shields marked to comply with ANSI Z87.1.
	Wet Conditions Alert	Do not expose to rain or use in damp locations.
	Hot Surface	To reduce the risk of injury or damage, avoid contact with any hot surface.
	Risk of Injections	To reduce the risk of injection or injury, never direct a water stream towards people or pets or place any body part in the stream. Leaking hoses and fittings are also capable of causing injection injury. Do not hold hoses or fittings.
	Risk of Explosion	Fuel and its vapors are explosive and can cause severe burns or death.
	Risk of Fire	Fuel and its vapors are extremely flammable and explosive. Fire can cause severe burns or death.

SYMBOLS

Some of the following symbols may be used on this product. Please study them and learn their meaning for safe operation of this product.

SYMBOL	NAME	EXPLANATION
	Toxic Fumes	Gas products emit carbon monoxide, an odorless, colorless, poison gas. Breathing carbon monoxide can cause nausea, fainting, or death.
	Kickback	To reduce the risk of injury from kickback, hold the spray wand securely with both hands when the machine is on.
	Electric Shock	Failure to use in dry conditions and to observe safe practices can result in electric shock.
	Chemical Burns	To reduce the risk of injury or damage, DO NOT USE ACIDS, ALKALINES, BLEACHES, SOLVENTS, FLAMMABLE MATERIAL, OR INDUSTRIAL GRADE SOLUTIONS in this product.

 WARNING:

This product and the engine exhaust from this product may contain chemicals, including lead, known to the State of California to cause cancer, birth defects, or other reproductive harm. Wash hands after handling.

FEATURES

PRODUCT SPECIFICATIONS

Engine.....	179 cc OHV
Fuel Tank Capacity	0.96 gal
Oil Capacity	20.3 oz.
Maximum Pounds Per Square Inch Pressure*	2,600 psi
Maximum Gallons Per Minute*	2.3 gpm
Maximum Inlet Water Temperature	104°F

*Max rating determined by PWMA Standard 101, when tested with red nozzle

KNOW YOUR PRESSURE WASHER

See Figure 1.

The safe use of this product requires an understanding of the information on the tool and in this operator's manual as well as a knowledge of the project you are attempting. Before use of this product, familiarize yourself with all operating features and safety rules.

179 cc OHV ENGINE

This engine enables the pressure washer to achieve 2,600 psi (pounds per square inch) at a rate of 2.3 gpm (gallons per minute).

ENGINE SWITCH

The engine switch is used in combination with the recoil starter grip to start the engine. It is also used to turn the engine off.

FUEL TANK

This fuel tank has a maximum capacity of 0.96 gal. Use unleaded automotive gasoline in the engine.

HOSE STORAGE

Once the high pressure hose is rolled, hang it on the hook located on the side of handle. Use the hook-and-loop strap to secure in place.

RECOIL STARTER

The recoil starter is pulled to start the machine.

SOAP NOZZLE

The black soap nozzle is used to apply detergent at low pressure only.

SPARK ARRESTOR

This engine is not factory equipped with a spark arrestor. In some areas it is illegal to operate an engine without a spark arrestor. A spark arrestor is available by calling customer service for assistance.

THERMAL RELEASE VALVE

This pump feature will prevent water temperatures from reaching harmful levels by releasing a small amount of water. Once the water has drained, the thermal relief valve will reset itself.

TRIGGER HANDLE

The trigger handle has a gripping surface that provides added control of the spray wand and helps reduce fatigue.

TRIGGER WITH LOCK OUT

Pulling the trigger releases a stream of water for high pressure cleaning. The lock out provides protection against unauthorized use.

ASSEMBLY

UNPACKING

This product requires assembly.

- Carefully remove the product and any accessories from the box. Make sure that all items listed in the packing list are included.

WARNING:

Do not use this product if any parts on the Packing List are already assembled to your product when you unpack it. Parts on this list are not assembled to the product by the manufacturer and require customer installation. Use of a product that may have been improperly assembled could result in serious personal injury.

NOTE: This tool is heavy. To avoid back injury, lift with your legs, not your back, and get help when needed.

- Inspect the tool carefully to make sure no breakage or damage occurred during shipping.
- Do not discard the packing material until you have carefully inspected and satisfactorily operated the tool.
- If any parts are damaged or missing, please call 1-800-242-4672 for assistance.

ASSEMBLY

PACKING LIST

Pressure Washer
25 ft. High Pressure Hose
Trigger Handle
Spray Wand
Quick-connect Nozzles (4)
Injection Hose
Injection Hose Filter
Upper Spray Wand Holder
Lower Spray Wand Holder
Lock Nut
M8 10 mm Bolt
M8 13 mm Flange Nut
4-Cycle Engine Lubricant (SAE 30 or SAE 10W30)
Axle (2)
Hitch pins (2)
Wheels (2)
Washers (2)
Handle
Operator's Manual

TOOLS NEEDED

See Figure 1a.

- 13 mm Socket Wrench (9/16 in.)
- 10 mm Wrench (7/16 in.)

WARNING:

If any parts are damaged or missing do not operate this tool until the parts are replaced. Use of this product with damaged or missing parts could result in serious personal injury.

WARNING:

Do not attempt to modify this tool or create accessories not recommended for use with this tool. Any such alteration or modification is misuse and could result in a hazardous condition leading to possible serious personal injury.

WARNING:

To prevent accidental starting that could cause serious personal injury, always disconnect the engine spark plug wire from the spark plug when assembling parts.

ATTACHING THE WHEEL ASSEMBLY

See Figure 2.

- Locate the axle, hitch pins, washers, and wheels.
- Slide the axle through the hole in the center of the wheel.
- Slide the washer onto the axle.

- Lift the machine and slide the axle into the wheel mounting hole in the machine base as shown.
- Push the hitch pin into the hole on the end of the axle to secure the wheel assembly.
NOTE: The hitch pin should be pushed into the axle until the center of the pin rests on top of the axle.
- Repeat with the second wheel.

INSTALLING THE HANDLE

See Figure 3.

Push and hold the push-pin button on the side of the handle as you slide the handle onto the frame.

NOTE: Before use, pull the handle up until the lock button snaps through the locking slots to secure the handle in place.

INSTALLING THE UPPER AND LOWER SPRAY WAND HOLDER

See Figure 4.

- Align upper spray wand holder with holes in handle, as shown.
- Slide long side of spray wand holder through handle and tighten securely with lock nut.
- Place lower spray wand holder over the holes.
- Align the bolt with the holes and push the bolt through.
- Hold flange nut with 13 mm wrench and bolt head with 10 mm socket. Tighten until the bolt is snug.

ASSEMBLING THE TRIGGER HANDLE

See Figure 5.

- Place the threaded end of the spray wand in the connector on the end of the trigger handle.
- Turn the connector clockwise until it stops. This secures the spray wand in place.

CONNECTING HIGH PRESSURE HOSE TO TRIGGER HANDLE

See Figure 6.

- Screw the collar on the high pressure hose into the trigger handle inlet coupler by turning the hose collar clockwise.
- Pull on the hose to be certain it is properly secured.

ATTACHING INJECTION HOSE

See Figure 7.

Before detergent can be used with this machine, the injection hose must be attached.

- Push the injection hose filter onto the end of the injection hose (if not already installed).
- Push the open end of the clear injection hose securely over the fitting.

NOTE: Keep injection hose away from hot surfaces.

ASSEMBLY

CONNECTING THE HIGH PRESSURE HOSE TO THE PUMP

See Figure 8.

After the high pressure hose has been uncoiled and attached to the trigger handle:

- Align the collar on the threaded outlet on the pump.
- Insert the hose on the end of the high pressure hose collar into the threaded outlet.
- Turn the collar clockwise to tighten the hose securely to the pump.
- Pull on the hose to be certain it is properly secured.

CONNECTING THE GARDEN HOSE TO THE PRESSURE WASHER

See Figure 9.

CAUTION:

Always observe all local regulations when connecting hoses to the water main. Some areas have restrictions against connecting directly to public drinking water supply to prevent the feedback of chemicals into the drinking water supply. Direct connection through a receiver tank or backflow preventer is usually permitted.

The water supply must come from a water main. NEVER use hot water or water from pools, lakes, etc. Before connecting the garden hose to the pressure washer:

- Run water through the hose for 30 seconds to clean any debris from the hose.
- Inspect the screen in the water intake.
- If the screen is damaged, do not use the machine until the screen has been replaced.
- If the screen is dirty, clean it before connecting the garden hose to the machine.

To connect the garden hose to the machine:

- Uncoil the garden hose.

NOTE: There must be a minimum of 10 feet of unrestricted hose between the pressure washer intake and the hose faucet or shut off valve (such as a “Y” shut off connector).

- With the hose faucet turned completely off, attach the end of the garden hose to the water intake. Tighten by hand.

CAUTION:

Do not run the pressure washer pump without water supply connected and turned on, as this may damage the high pressure seals and decrease pump life. Completely unwind the hose from its reel or coil and make sure the hose is not being restricted by tires, rocks, or any other objects that may lessen or prevent water flow to the pressure washer.

OPERATION

WARNING:

Do not allow familiarity with tools to make you careless. Remember that a careless fraction of a second is sufficient to inflict serious injury.

WARNING:

Always wear eye protection with side shields marked to comply with ANSI Z87.1. Failure to do so could result in objects being thrown into your eyes resulting in possible serious injury.

WARNING:

Do not use any attachments or accessories not recommended by the manufacturer of this tool. The use of attachments or accessories not recommended can result in serious personal injury.

WARNING:

Never direct a water stream toward people or pets, or any electrical device. Failure to heed this warning could result in serious injury.

APPLICATIONS

You may use this tool for the purposes listed below:

- Removing dirt and mold from decks, cement patios, and house siding
- Cleaning boats, outdoor furniture, and grills

OPERATION

ADDING/CHECKING ENGINE LUBRICANT

See Figure 10.

NOTE: This machine has been shipped with approximately 2 oz. of lubricant in the engine from testing. **You must add lubricant to the engine before starting it the first time.**

CAUTION:

Any attempt to start the engine without adding lubricant will result in engine failure.

To add engine lubricant:

- Place pressure washer on a flat, level surface.
- Unscrew the oil cap/dipstick by turning counter-clockwise.
- Using 4-stroke engine lubricant (SAE 30 or SAE 10W30), add engine lubricant until the fluid level rises to the hatched area on the dipstick (18 oz., 4-cycle engine lubricant provided). **Do not overfill.**
- Replace the oil cap/dipstick and securely tighten.

NOTE: This engine has a total lubricant capacity of 20.3 oz. (0.6 liters).

To check engine lubricant level:

- Set pressure washer on a flat surface.
- Wipe dipstick clean and re-seat in hole; do not rethread.
- Remove dipstick again and check lubricant level. Lubricant level should fall within the hatched area on the dipstick.
- If level is low, add engine lubricant until the fluid level rises to the upper portion of the hatched area on the dipstick.
- Replace and secure the oil cap/dipstick.

CAUTION:

Do not overfill. Overfilling the crankcase may cause excessive smoke and engine damage.

OXYGENATED FUELS

DO NOT USE E85 FUEL. IT WILL VOID YOUR WARRANTY.

NOTE: Fuel system damage or performance problems resulting from the use of an oxygenated fuel containing more than the percentages of oxygenates stated below **are not covered under warranty.**

Ethanol. Gasoline containing up to 10% ethanol by volume (commonly referred to as E10) is acceptable. E85 is not.

ADDING GASOLINE TO THE FUEL TANK

See Figure 11.

WARNING:

Gasoline and its vapors are highly flammable and explosive. To prevent serious personal injury and property damage, handle gasoline with care. Keep away from ignition sources, handle outdoors only, do not smoke while adding fuel, and wipe up spills immediately.

When adding gas to the pressure washer, make sure the unit is sitting on a flat, level surface. If the engine is hot, let the pressure washer cool before adding gas. **ALWAYS** fill the fuel tank outdoors with the machine turned off.

NOTE: Use unleaded gas only. **DO NOT** mix lubricant with gas.

- Before removing the fuel cap, clean the area around it. Remove the fuel cap.
- Insert a clean funnel into the fuel tank then slowly pour gasoline into the tank. Fill tank to approximately 1-1/2 in. below the top of the tank neck (this allows for fuel expansion).
- Replace fuel cap and tighten until the cap “clicks”.
- Clean up any spills before starting the engine.

PUMP LUBRICANT

The pressure washer pump has been filled with sufficient lubricant at the factory. You do not need to check or add lubricant to the pump.

STARTING AND STOPPING THE PRESSURE WASHER

See Figures 12 - 14.

CAUTION:

Do not run the pressure washer pump without water supply connected and turned on, as this may damage the high pressure seals and decrease pump life. Completely unwind the hose from its reel or coil and make sure the hose is not being restricted by tires, rocks, or any other objects that may lessen or prevent water flow to the pressure washer.

Before starting the engine:

- Connect all hoses.
- Check all fluids (lubricant and gas).
- Turn on the garden hose then pull the trigger to relieve air pressure; hold the trigger until a steady stream of water appears.

To start the engine:

- Turn the fuel valve to the ON position.
- Move the choke lever to the ON (COLD START) position.

OPERATION

NOTE: If the engine is warm, leave the choke lever in the ON (COLD START) position. Allow the engine to run for 5 seconds, and then push the choke to the RUN position.

- Put the engine switch in the ON position.
- Pull the recoil starter grip until the engine runs (a maximum of 6 times).

NOTE: Do not allow the grip to snap back after starting; return it gently to its original place.

CAUTION:

If the engine does not start after each pull of the starter grip and rope, squeeze the trigger to relieve water pressure before attempting to start the engine again.

- Allow the engine to run for 5 seconds, then push the choke lever to the RUN position.

To stop the engine:

- Put the engine switch in the OFF position.
- Pull trigger to release water pressure.

USING THE SPRAY WAND TRIGGER

See Figure 15.

For greater control and safety, keep both hands on the trigger handle at all times.

- Pull back and hold the trigger to operate the pressure washer.
- Release the trigger to stop the flow of water through the nozzle.

To engage the lock out:

- Push up on the lock out until it clicks into the slot.

To disengage the lock out:

- Push the lock out down and into its original position.

For the most effective cleaning, the spray nozzle should be between 8 in. and 24 in. from the surface to be cleaned. If the spray is too close it can damage the cleaning surface.

SELECTING THE RIGHT NOZZLE FOR THE JOB

See Figures 16.

Each of the nozzles has a different spray pattern. Before starting any cleaning job, determine the best nozzle for the job. The following chart offers some general guidelines to help you choose the best nozzle for your application.

Nozzle	Application
0° Red	Spot cleaning of high, hard-to-reach areas <ul style="list-style-type: none"> • Removing caked-on mud from heavy construction, farm, or lawn equipment • Cleaning tar, glue, or stubborn stains from concrete • Cleaning overhead areas • Removing rust from steel and oxidation from aluminum

Nozzle	Application
25° Green	For general purpose or large surfaces <ul style="list-style-type: none"> • General cleaning of dirt, mud, and grime • Cleaning roofs, gutters, and downspouts • Removing light mildew stains • Removing algae and bacteria build-up from pools • Rinsing surfaces in preparation for painting
40° White	For wide-angle rinsing <ul style="list-style-type: none"> • Light cleaning and washing • Washing and rinsing of painted surfaces and boats • Cleaning roofs, windows, patios, and driveways
Soap (Black)	For all detergent applications



WARNING:

NEVER change nozzles without locking the lock out on the trigger handle and NEVER point the wand at your face or at others. The quick-connect feature contains small springs that could eject the nozzle with some force. Failure to heed this may cause personal injury.

Using the quick-connect collar, changing nozzles is easy.

To connect a nozzle to the trigger handle:

- Turn off the pressure washer and shut off the water supply. **Pull trigger to release water pressure.**
- Engage the lock out on the trigger handle by pushing up on the lock out until it clicks into the slot.
- Pull back the quick-connect collar.
- Push the nozzle into place in the spray wand.
- Push the collar forward so that the nozzle is secured properly. Check to see that the nozzle is secure.

To disconnect a nozzle from the trigger handle once the cleaning job is complete:

- Turn off the pressure washer and shut off the water supply. **Pull trigger to release water pressure.**
- Engage the lock out on the trigger handle by pushing up on the lock out until it clicks into the slot.
- Remove the nozzle by placing hand over nozzle then pulling back the quick-connect collar. Place nozzle in the nozzle storage area on the top of the spray wand.

USING THE HIGH PRESSURE HOSE

The high pressure hose features an outer covering that provides strength to the hose. If the outer covering becomes damaged, the hose must be replaced immediately. **Do not use a high pressure hose if the outer covering is damaged.**

To prevent damage to the outer covering:

- Inspect the hose before every use.

OPERATION

- Fully unwrap and straighten hose before use.
- Do not allow the high pressure hose to be kinked.
- Keep hose away from hot surfaces and sharp edges.
- Do not pull unit by high pressure hose.
- Do not allow hose to be crushed or wrapped around objects.

WASHING WITH DETERGENT

See Figure 17.

Use only detergents designed for pressure washers; household detergents, acids, alkalines, bleaches, solvents, flammable material, or industrial grade solutions can damage the pump. Many detergents may require mixing prior to use. Prepare cleaning solution as instructed on the solution bottle. place the detergent injection tube with filter

- Remove the cap from the detergent container and place the detergent injection tube with filter in the container.
- Install the soap nozzle on the spray wand.
- Place the detergent hose into the detergent container.
- Spray the detergent on a dry surface using long, even, overlapping strokes. To prevent streaking, do not allow detergent to dry on the surface.

Before shutting off the engine:

- Place the injection hose in a bucket of clean water.

- Flush for 1 - 2 minutes (spray clear water through the spray wand).
- Shut off the engine.

NOTE: Shutting **OFF (O)** the engine will not relieve pressure in the system. **Pull trigger to release water pressure.**

RINSING WITH THE PRESSURE WASHER

- Turn off the pressure washer and shut off the water supply. Pull trigger to release water pressure.
- Engage the lock out on the trigger handle by pushing up on the lock out until it clicks into the slot.
- Remove the nozzle by placing hand over nozzle then pulling back the quick-connect collar. Place nozzle in the nozzle storage area on the machine.
- Select the right nozzle for the job. See the chart on the previous page for selecting the appropriate nozzle.
- Start at the top of the area to be rinsed and work down, overlapping the strokes.

MOVING THE PRESSURE WASHER

See Figure 18.

NOTE: Never lift or carry this product using the moving handle.

- Turn the pressure washer off.
- Tilt the machine toward you until it balances on the wheels then roll the machine to the desired position

MAINTENANCE

WARNING:

When servicing, use only identical replacement parts. Use of any other parts may create a hazard or cause product damage.

WARNING:

Always wear eye protection with side shields marked to comply with ANSI Z87.1. Failure to do so could result in objects being thrown into your eyes resulting in possible serious injury.

WARNING:

Before inspecting, cleaning or servicing the machine, shut off engine, wait for all moving parts to stop, and disconnect spark plug wire and move it away from spark plug. Failure to follow these instructions can result in serious personal injury or property damage.

GENERAL MAINTENANCE

Avoid using solvents when cleaning plastic parts. Most plastics are susceptible to damage from various types of commercial solvents and may be damaged by their use. Use clean cloths to remove dirt, dust, oil, grease, etc.

WARNING:

Do not at any time let brake fluids, gasoline, petroleum-based products, penetrating oils, etc., come in contact with plastic parts. Chemicals can damage, weaken or destroy plastic which may result in serious personal injury.

Only the parts shown on the parts list are intended to be repaired or replaced by the customer. All other parts should be replaced at an authorized service center.

Before running the engine, perform the following pre-operation steps:

- Check that all bolts, nuts, etc., are securely tightened.

MAINTENANCE

- Make sure the air filter is clean.
- Check both the engine lubricant level and the fuel tank level; refill as needed.
- Inspect the work area for hazards.
- If there is excessive noise or vibration, stop the unit immediately.

NOZZLE MAINTENANCE

Excessive pump pressure (a pulsing sensation felt while pulling the trigger) may be the result of a clogged or dirty nozzle.

- Turn off the pressure washer and shut off the water supply. Pull trigger to release water pressure.
- Remove the nozzle from the spray wand.
NOTE: Never point the spray wand at your face.
- To free any foreign materials clogging or restricting the nozzle, blow out or remove debris with a fine needle.
- Using a garden hose, flush debris out of nozzle by back flushing (running the water through the nozzle backwards or from the outside to the inside).
- Reconnect the nozzle to the spray wand.
- Turn on the water supply and start the engine.

CLEANING/REPLACING THE AIR FILTER

See Figure 19.

A dirty air filter will cause starting difficulty, loss of performance, and shorten the life span of the engine. Check the air filter monthly. For best performance, replace the air filter at least once a year.

The filter cover pivots up and lifts off.

- Using a damp cloth, wipe the air filter cover and inner surface. Take care not to allow dust to enter the carburetor.
- Remove the air filter.
- Rinse filter with clean water.
- Gently squeeze filter until excess water is removed.
- Apply a light coat of engine lubricant to the filter, then squeeze it out.
- Reinstall the foam filter.
- Reinstall the filter cover.

NOTE: Make sure the filter is seated properly inside the compartment. Installing the filter incorrectly will allow dirt to enter the engine, causing rapid engine wear.

CHANGING ENGINE LUBRICANT

See Figure 20.

- Shut off the engine.
- Clean the area around the oil fill cap/dipstick, then remove the oil fill cap/dipstick.

To drain lubricant from the oil drain plug:

- Disconnect the spark plug wire from the engine.

- To drain the lubricant, remove the drain plug from the bottom of the engine. Drain lubricant into approved container.

NOTE: Remove the dipstick to allow lubricant to drain easier and more quickly.

- Fill with lubricant following the instructions in **Adding/Checking Engine Lubricant** earlier in this manual.
- Before using the pressure washer, check to ensure that no lubricant is leaking from the engine.

NOTE: Used lubricant should be disposed of at an approved disposal site. See your local oil retailer for more information.

CHECKING SPARK PLUG

See Figure 21.

- Clean the area around the base of the spark plug before removing to keep dirt and debris out of the engine. Remove spark plug.
- Clean off carbon deposits on the spark plug electrode using a plug cleaner or wire brush. Replace the plug if worn or reuse is questionable. (Recommended spark plug: Champion RC12YC).
- Check electrode gap. The gap should be 0.7 - 0.8 mm in. Adjust the gap, if necessary, by carefully bending the ground electrode.
- Check the condition of the spark plug gasket.
- Reinstall spark plug. Start the spark plug in its threads by hand and finger-tighten.
- Tighten with wrench to compress washer. If spark plug is new, use 1/2 turn to compress washer appropriate amount. If reusing old spark plug, use 1/8 to 1/4 turn for proper washer compression.
NOTE: An improperly tightened spark plug will become very hot and could damage the engine.

PUMP MAINTENANCE

Routinely make a visual inspection of the pump. If you notice any leaking of lubricant around the pump seals, take the pressure washer to an authorized service center for repair.

There are no user serviceable parts to the pressure washer pump. Any attempt to service or alter the pump may damage the pressure washer and void your product warranty.

STORING THE PRESSURE WASHER

See Figure 22.

Store the pressure washer with the gas tank empty by either draining the tank or running the pressure washer until the gas runs out.

NOTE: If running pressure washer until gas runs out, make sure machine is connected to water and water is ON.

Allow 30 minutes of "cool down" time before storing the machine. Store in a dry, covered area where the weather can't damage it.

MAINTENANCE

It is important to store this product in a frost-free area. Always empty water from all hoses, the pump, and the detergent bucket before storing.

NOTE: Use of a fuel stabilizer and pump saver will give you better performance and increase the life of the machine.

Discharge Fuel:

Drain the fuel tank completely. Stored gas can go stale in 30 days.

Engine Lubricant:

Drain the lubricant and replace with fresh, clean lubricant.

Spark Plug:

- Disconnect spark plug wire and remove the spark plug. Pour about a teaspoon of clean, air-cooled, four-cycle lubricant through the spark plug hole into the combustion chamber.
- Leaving the spark plug out, pull the starter cord two or three times to coat the inside of the cylinder wall.
- Inspect the spark plug and clean or replace, as necessary.
- Reinstall the spark plug, but leave the spark plug wire disconnected.

Air Filter:

Clean the air filter.

Recoil Starter Rope:

Extend the recoil starter rope to check its condition. If the rope is frayed, have it replaced immediately by an authorized service center.

Hoses and Pump:

Flush the injection hose with clean water for 1-2 minutes. Remove all hoses. Empty the pump by pulling on the recoil starter about 6 times. This should remove most of the liquid from the pump.

For winterizing and long-term storage:

- Disconnect the water connection, if necessary.
- Disconnect the spark plug wire from the engine.
- Pull recoil rope and jump engine several times to eliminate any water remaining in the pump.
- Coil the hoses and place in the hook-and loop strap on the unit's handle. Do not allow the hose to become kinked.
- Store the unit and accessories in an area that does not reach freezing temperatures. Do not store near furnace or other sources of heat that could dry out the pump seals.

CAUTION:

The use of a pump protector is recommended to prevent cold weather damage during storage over the winter months.

PREPARING FOR USE AFTER STORAGE

- Pull the recoil starter grip three or four times to clean lubricant from the combustion chamber.
- Remove spark plug from the cylinder. Wipe lubricant from the spark plug and return it to the cylinder.
- Reconnect the spark plug wire.
- Refuel the machine as described earlier in the operator's manual.

PERIODIC MAINTENANCE SCHEDULE TABLE

Maintenance Items	Each use	Every 8 hrs.	Every 20 hrs.	Every 50 hrs.	Every 100 hrs.	Every 300 hrs.
Clean engine & check bolts & nuts	X	X				
Check engine oil	X					
Change engine oil*			X			
Clean spark plug					X	
Clean air cleaner	X			X		
Replace air cleaner element				X		
Clean & adjust spark plug & electrodes					X	
Replace spark plug					X	
Remove carbon from cylinder head**						X
Check & adjust valve clearance**						X

* Initial oil change should be performed after the first 20 hours of operation. Do not pour old oil down sewage drains, into garden soil, or into open streams. Your local zoning or environmental regulations will give you more detailed instruction on proper disposal.

** Have performed by your nearest service center

TROUBLESHOOTING

PROBLEM	CAUSE	SOLUTION
Engine fails to start	No fuel in tank Spark plug shorted or fouled Spark plug is broken (cracked porcelain or electrodes broken) Ignition lead wire shorted, broken, or disconnected from spark plug Ignition inoperative	Fill tank Replace spark plug Replace spark plug Replace lead wire or attach to spark plug Contact authorized service center
Engine hard to start	Water in gasoline Weak spark at spark plug	Drain entire system and refill with fresh fuel Contact authorized service center
Engine lacks power	Dirty air filter	Clean or replace air filter
Detergent fails to mix with spray	Detergent injection hose is not properly submerged High pressure nozzle attached	Insert injection hose into detergent container or detergent bottle Use low pressure nozzle (black) to apply detergent
Pump doesn't produce pressure	Low pressure nozzle installed Inadequate water supply Trigger handle or spray wand leaks Nozzle is clogged Pump is faulty Air in line	Replace with high pressure nozzle Provide adequate water flow Check connections and / or replace trigger handle or spray wand Clean nozzle Contact authorized service center Pull trigger on trigger handle to remove air from line
Machine doesn't reach high pressure	Diameter of garden hose is too small Water supply is restricted Not enough inlet water Wrong nozzle is attached	Replace with 3/4 in. garden hose Check garden hose for kinks, leaks, and blockages Open water source full force Attach the high pressure nozzle

WARRANTY

LIMITED NON-ENGINE WARRANTY STATEMENT

Homelite Consumer Products, Inc., (“Homelite”) warrants to the original retail purchaser that this HOMELITE brand pressure washer is free from defect in material and workmanship and agrees to repair or replace, at Homelite’s discretion, any defective product free of charge within these time periods from the date of purchase.

- Two years if the product is used for personal, family or household use;
- 90 days, if any of the above products are used for any other purpose, such as commercial or rental.

This warranty extends to the original retail purchaser only and commences on the date of the original retail purchase.

Any part of the this product manufactured or supplied by Homelite and found in the reasonable judgment of Homelite to be defective in material or workmanship will be repaired or replaced without charge for parts and labor by a Homelite Authorized Service Center.

The product, including any defective part, must be returned to a Homelite Authorized Service Center within the warranty period. The expense of delivering the product to the service center for warranty work and the expense of returning it back to the owner after repair or replacement will be paid by the owner. Homelite’s responsibility in respect to claims is limited to making the required repairs or replacements and no claim of breach of warranty shall be cause for cancellation or rescission of the contract of sale of any HOMELITE brand product. Proof of purchase will be required to substantiate any warranty claim. All warranty work must be performed by a Homelite Authorized Service Center.

This warranty does not cover any product that has been subject to misuse, neglect, negligence, or accident, or that has been operated in any way contrary to the operating instructions as specified in the operator’s manual. This warranty does not apply to any damage to the product that is the result of improper maintenance or to any product that has been altered or modified so as to adversely affect the product’s operation, performance or durability or that has been altered or modified so as to change its intended use. The warranty does not extend to repairs made necessary by normal wear or by the use of parts or accessories which are either incompatible with the HOMELITE brand pressure washer or adversely affect its operation, performance or durability.

In addition, this warranty does not cover:

- A. Tune-ups – Air filters, gas filters, carburetors, spark plugs
- B. Wear items – Hoses, connector fittings, spray nozzles, trigger handle, spray wand, wheels, detergent bucket, detergent tank

Homelite reserves the right to change or improve the design of any HOMELITE brand pressure washer without assuming any obligation to modify any product previously manufactured.

ALL IMPLIED WARRANTIES ARE LIMITED IN DURATION TO THE STATED WARRANTY PERIOD. ACCORDINGLY, ANY SUCH IMPLIED WARRANTIES INCLUDING MERCHANTABILITY, FITNESS FOR A PARTICULAR PURPOSE, OR OTHERWISE, ARE DISCLAIMED IN THEIR ENTIRETY AFTER THE EXPIRATION OF THE STATED TWO YEAR OR 90-DAY EXPRESS WARRANTY PERIOD. HOMELITE CONSUMER PRODUCTS’S OBLIGATION UNDER THIS WARRANTY IS STRICTLY AND EXCLUSIVELY LIMITED TO THE REPAIR OR REPLACEMENT OF DEFECTIVE PARTS AND HOMELITE DOES NOT ASSUME OR AUTHORIZE ANYONE TO ASSUME FOR THEM ANY OTHER OBLIGATION. SOME STATES DO NOT ALLOW LIMITATIONS ON HOW LONG AN IMPLIED WARRANTY LASTS, SO THE ABOVE LIMITATION MAY NOT APPLY TO YOU. ASSUMES NO RESPONSIBILITY FOR INCIDENTAL, CONSEQUENTIAL OR OTHER DAMAGES INCLUDING, BUT NOT LIMITED TO EXPENSE OF RETURNING THE PRODUCT TO AN AUTHORIZED HOMELITE SERVICE CENTER AND EXPENSE OF DELIVERING IT BACK TO THE OWNER, MECHANIC’S TRAVEL TIME, TELEPHONE OR TELEGRAM CHARGES, RENTAL OF A LIKE PRODUCT DURING THE TIME WARRANTY SERVICE IS BEING PERFORMED, TRAVEL, LOSS OR DAMAGE TO PERSONAL PROPERTY, LOSS OF REVENUE, LOSS OF USE OF THE PRODUCT, LOSS OF TIME, OR INCONVENIENCE, SOME STATES DO NOT ALLOW THE EXCLUSION OR LIMITATION OF INCIDENTAL OR CONSEQUENTIAL DAMAGES, SO THE ABOVE LIMITATION OR EXCLUSION MAY NOT APPLY TO YOU.

This warranty gives you specific legal rights, and you may also have other rights which vary from state to state.

This warranty applies to all HOMELITE brand pressure washer distributed by Homelite Consumer Products, Inc., and sold in the United States, Mexico, and Canada.

To locate your nearest Homelite Authorized Service Center, dial 1-800-242-4672 or log on to our website at www.homelite.com.

WARRANTY

CALIFORNIA AND FEDERAL EMISSION CONTROL WARRANTY STATEMENT

YOUR WARRANTY RIGHTS AND OBLIGATIONS

The California Air Resources Board (CARB) and the United States Environmental Protection Agency (EPA), together with CHONGQING RATO POWER CO., LTD. are pleased to explain the Emission Control System Warranty on your new small off-road engine. New small off-road engines must be designed, built and equipped to meet stringent anti-smog standards for the state of California and the federal government. CHONGQING RATO POWER CO., LTD. will warrant the emission control system on your engine for the periods of time listed below provided there has been no abuse, neglect, unapproved modification or improper maintenance of your engine.

Your emission control system may include parts such as the carburetor, ignition, intake and exhaust systems. CHONGQING RATO POWER CO., LTD. will repair your engine at no cost to you for diagnosis, replacement parts and labor, should a warrantable condition occur.

MANUFACTURER'S EMISSION CONTROL SYSTEM WARRANTY COVERAGE:

Emission control systems on 1997 and later model year engines are warranted for two years as hereinafter noted. If, during such warranty period, any emission-related component or system on your engine is found to be defective in materials or workmanship, repairs or replacement will be performed by a CHONGQING RATO POWER CO., LTD. Authorized Warranty Service Facility.

PURCHASER'S/OWNER'S WARRANTY RESPONSIBILITIES:

As the small off-road engine purchaser/owner, you are responsible for the completion of all required maintenance as listed in your factory supplied Owner's Manual. For warranty purposes, CHONGQING RATO POWER CO., LTD. recommends that you retain all receipts covering maintenance on your engine. However, CHONGQING RATO POWER CO., LTD. cannot deny warranty solely because of the lack of receipts or for your failure to ensure the completion of all scheduled maintenance.

As the small off-road engine purchaser/owner, you should, however, be aware that CHONGQING RATO POWER CO., LTD. may deny any and/or all warranty coverage or responsibility if your engine, or a part/component thereof, has failed due to abuse, neglect, improper maintenance or unapproved modifications, or the use of counterfeit and/or "grey market" parts not made, supplied or approved by CHONGQING RATO POWER CO., LTD.

You are responsible for presenting your engine to a CHONGQING RATO POWER CO., LTD. Authorized Warranty Service Facility as soon as a problem occurs. The warranty repairs should be completed in a reasonable amount of time, not to exceed 30 days.

Warranty service can be arranged by contacting either your selling dealer or a CHONGQING RATO POWER CO., LTD. Authorized Warranty Service Facility. To locate the CHONGQING RATO POWER CO., LTD. Authorized Warranty Service Facility nearest you at +1 800 520 0882.

IMPORTANT NOTE: This warranty statement explains your rights and obligations under the Emission Control System Warranty (ECS Warranty), which is provided to you by CHONGQING RATO POWER CO., LTD. pursuant to California and federal law. See also the "Limited Warranties for CHONGQING RATO POWER CO., LTD.," which is enclosed herewith on a separate sheet, also provided to you by CHONGQING RATO POWER CO., LTD. The ECS Warranty applies only to the emission control system of your new engine. If there is any conflict in terms between the ECS Warranty and the CHONGQING RATO POWER CO., LTD. Warranty, the ECS Warranty shall apply except in circumstances where the CHONGQING RATO POWER CO., LTD. Warranty may provide a longer warranty period. Both the ECS Warranty and the CHONGQING RATO POWER CO., LTD. Warranty describe important rights and obligations with respect to your new engine.

Warranty service can be performed only by a CHONGQING RATO POWER CO., LTD. Authorized Warranty Service Facility. When requesting warranty service, evidence must be presented showing the date of the sale to the original purchaser/owner. The purchaser/owner shall be responsible for any expenses or other charges incurred for service calls and/or transportation of the product to/from the inspection or repair facilities. The purchaser/owner shall also be responsible for any and/or all damages or losses incurred while the engine is being transported/shipped for inspection or warranty repairs.

IF YOU HAVE ANY QUESTIONS REGARDING YOUR WARRANTY RIGHTS AND RESPONSIBILITIES, YOU SHOULD CONTACT CHONGQING RATO POWER CO., LTD. at +1 800 520 0882.

II. EMISSION CONTROL SYSTEM WARRANTY

Emission Control System Warranty (ECS Warranty) for 1997 and later model engines:

- (a) **Applicability:** This warranty shall apply to 1997 and later model year engines. The ECS Warranty Period shall begin on the date the new engine or equipment is purchased by/delivered to its original, end-use purchaser/owner and shall continue for 24 consecutive months thereafter.
- (b) **General Emissions Warranty Coverage:** CHONGQING RATO POWER CO., LTD. warrants to the original, end-use purchaser/owner of the new engine or

equipment and to each subsequent purchaser/owner that each of its engines is:

- (1) Designed, built and equipped so as to conform with all applicable regulations adopted by the EPA and CARB pursuant to their respective authority, and
- (2) Free from defects in materials and workmanship which, at any time during the ECS Warranty Period, may cause a warranted emissions-related part to fail to be identical in all material respects to the part as described in the engine manufacturer's application for certification.

The ECS Warranty only pertains to emissions-related parts on your engine, as follows:

- (1) Any warranted, emissions-related parts that are not scheduled for replacement as required maintenance in the Owner's Manual shall be warranted for the ECS Warranty Period. If any such part fails during the ECS Warranty Period, it shall be repaired or replaced by CHONGQING RATO POWER CO., LTD. according to Subsection (4) below. Any such part repaired or replaced under the ECS Warranty shall be warranted for the remainder of the ECS Warranty Period.
- (2) Any warranted, emissions-related part that is scheduled only for regular inspection as specified in the Owner's Manual shall be warranted for the ECS Warranty Period. A statement in such written instructions to the effect of "repair or replace as necessary" shall not reduce the ECS Warranty Period. Any such part repaired or replaced under the ECS Warranty shall be warranted for the remainder of the ECS Warranty Period.
- (3) Any warranted, emissions-related part that is scheduled for replacement as required maintenance in the Owner's Manual shall be warranted for the period of time prior to the first scheduled replacement point for that part. If the part fails prior to the first scheduled replacement, the part shall be repaired or replaced by CHONGQING RATO POWER CO., LTD. according to Subsection (4) below. Any such emissions-related part repaired or replaced under the ECS Warranty shall be warranted for the remainder of the ECS Warranty Period prior to the first scheduled replacement point for such emissions-related part.
- (4) Repair or replacement of any warranted, emissions-related part under this ECS Warranty shall be performed at no charge to the owner at a CHONGQING RATO POWER CO., LTD. Authorized Warranty Service Facility.
- (5) When the engine is inspected by a CHONGQING RATO POWER CO., LTD. Authorized Warranty Service Facility, the owner shall not be held responsible for diagnostic costs if the repair is deemed warrantable.
- (6) CHONGQING RATO POWER CO., LTD. shall be liable for damages to other original engine components or approved modifications proximately caused by a failure under warranty of any emission-related part covered by the ECS Warranty.
- (7) Throughout the ECS Warranty Period, CHONGQING RATO POWER CO., LTD. shall maintain a supply of warranted emission-related parts sufficient to meet the expected demand for such emission-related parts.
- (8) Any CHONGQING RATO POWER CO., LTD. authorized and approved emission-related replacement part may be used in the performance of any ECS Warranty maintenance or repairs and will be provided without charge to the purchaser/owner. Such use shall not reduce CHONGQING RATO POWER CO., LTD.'s ECS Warranty obligations.
- (9) Unapproved, add-on, modified, counterfeit and/or "grey market" parts may not be used to modify or repair a CHONGQING RATO POWER CO., LTD. engine. Such use voids this ECS Warranty and shall be sufficient grounds for disallowing an ECS Warranty claim. CHONGQING RATO POWER CO., LTD. shall not be held liable hereunder for failures of any warranted parts of a CHONGQING RATO POWER CO., LTD. engine caused by the use of such an unapproved, add-on, modified, counterfeit and/or "grey market" part.

EMISSION RELATED PARTS INCLUDE THE FOLLOWING:

- 1) Fuel Metering System:
 - a) Gasoline carburetor assembly and its internal components.
 - b) Fuel filter (if so equipped)
 - c) Carburetor gaskets
 - d) Fuel pump (if so equipped)
- 2) Air Induction System including:
 - a) Intake pipe/manifold
 - b) Air cleaner
- 3) Ignition System including:
 - a) Spark plug
 - b) Ignition module/coil
- 4) Catalytic Muffler Assembly (if so equipped) including:
 - a) Muffler gasket
 - b) Exhaust manifold
- 5) Miscellaneous including:
 - a) Hoses, belts and connectors.

INSTRUCTIONS IMPORTANTES CONCERNANT LA SÉCURITÉ



AVERTISSEMENT :

Lire attentivement toutes les instructions. Le non-respect de toutes les instructions ci-dessous peut entraîner un choc électrique, un incendie et/ou une intoxication par le monoxyde de carbone, ce qui peut causer des blessures graves voire la mort.

LIRE TOUTES LES INSTRUCTIONS




- **Apprendre à connaître l'outil.** Lire attentivement le manuel d'utilisation. Apprendre les applications et les limites de l'outil, ainsi que les risques spécifiques relatifs à son utilisation.
- **Maintenir tous les dispositifs de protection en place** et en bon état de fonctionnement. Ne jamais utiliser l'outil avec des couvercles ou dispositifs de protection retirés. S'assurer que tous les dispositifs de protection fonctionnent correctement avant chaque utilisation.
- **Retirer les clés et outils de réglage.** Prendre l'habitude de vérifier que tous les outils et clés de réglage en ont été retirés de l'outil avant de le mettre en marche.
- **Pour réduire les risques de blessures,** garder les enfants et visiteurs à l'écart. Tous les visiteurs doivent porter des lunettes de sécurité et se tenir à bonne distance de la zone de travail.
- **Ne laisser personne approcher la zone de travail,** particulièrement les petits enfants et les animaux domestiques.
- **Ne pas faire tourner le moteur dans un espace confiné** où des vapeurs toxiques de monoxyde de carbone peuvent s'accumuler. Le monoxyde de carbone, un gaz incolore, inodore et extrêmement toxique peut causer une perte de conscience et être mortel.
- **Utiliser l'outil approprié.** Ne pas utiliser l'outil ou un accessoire pour effectuer un travail pour lequel il n'est pas conçu. Ne pas utiliser l'outil pour une application non prévue.
- **Porter une tenue appropriée.** Ne pas porter de vêtements amples, gants, cravate ou bijoux. Ces articles pourraient être happés et tirer la main ou une partie du corps dans les pièces en mouvement. Des gants en caoutchouc et des chaussures antidérapantes sont recommandées pour le travail à l'extérieur. Les cheveux longs doivent être ramassés sous un couvre-chef.
- **Ne pas faire fonctionner l'équipement pied-nu ou en portant des sandales ou des chaussures légères similaires.** Porter des chaussures de sécurité protégeant les pieds et améliorant l'équilibre sur des surfaces glissantes.
- **Faire preuve de prudence pour éviter de glisser ou tomber.**
- **Toujours porter une protection oculaire avec écrans latéraux certifiée conforme à la norme ANSI Z87.1.** Le respect de cette règle réduira les risques de blessures graves.
- **Ne pas travailler hors de portée ou se tenir sur une surface instable.** Toujours se tenir bien campé et en équilibre.
- **N'utiliser que les accessoires recommandés.** L'emploi de tout accessoire inadapté peut présenter un risque de blessure.
- **Suivre les instructions d'entretien spécifiées dans ce manuel.**
- **Vérifier l'état des pièces.** Avant d'utiliser l'outil de nouveau examiner soigneusement les pièces et dispositifs de protection qui semblent endommagés afin de déterminer s'ils fonctionnent correctement et s'ils remplissent les fonctions prévues. Vérifier l'alignement des pièces mobiles, s'assurer qu'aucune pièce n'est bloquée ou cassée, vérifier la fixation de chaque pièce et s'assurer qu'aucun autre problème ne risque d'affecter le bon fonctionnement de l'outil. Pour éviter les risques de blessures, toute protection ou pièce endommagée doit être correctement réparée ou remplacée dans un centre de réparations agréé.
- **Ne jamais laisser un outil en fonctionnement sans surveillance.** Ne pas s'éloigner de l'outil avant qu'il soit parvenu à un arrêt complet.
- **Garder le moteur dépourvu d'herbe, feuilles ou graisse** pour réduire le risque d'incendie.
- **Garder le tuyau d'échappement propre et exempt de débris.**
- **Suivre les recommandations du fabricant pour assurer la sécurité de chargement, déchargement, transport et remisage de la machine.**
- **Se familiariser complètement avec les commandes.** Veiller à savoir arrêter la machine et relâcher la pression rapidement.
- **Garder l'outil sec, propre et exempt d'huile ou de graisse.** Toujours utiliser un chiffon propre pour le nettoyage. Ne jamais utiliser de liquide de freins, d'essence ou de produits à base de pétrole pour nettoyer l'outil.
- **Rester vigilant et garder le contrôle.** Se montrer attentif et faire preuve de bon sens. Ne pas utiliser l'outil en état de fatigue. Ne pas se presser.
- **Ne pas utiliser cet outil sous l'influence de l'alcool, de drogues ou de médicaments.**
- **Examiner la zone de travail avant chaque utilisation.** La débarrasser de tous les objets tels que cailloux, verre brisé, clous, fils métalliques, cordes, etc. risquant d'être projetés ou de se prendre dans la machine.
- **Ne pas utiliser l'outil si le commutateur ne permet pas de l'arrêter.** Faire remplacer les commutateurs défectueux dans un centre de réparations agréé.
- **Avant de nettoyer, réparer ou inspecter,** couper le moteur et vérifier que toutes les pièces en mouvement sont arrêtées. Déconnecter le fil de bougie et garder le fil à l'écart de la bougie afin d'empêcher un démarrage accidentel.
- **Éviter les environnements dangereux.** Ne pas utiliser dans des endroits mouillés ou humides, ne pas exposer à la pluie. Garder le lieu de travail bien éclairé.
- **Ne jamais utiliser dans une atmosphère explosive.** Les étincelles normalement produites par le moteur pourraient enflammer les vapeurs.
- **Ne jamais utiliser en fumant ou à côté d'une flamme vive.**
- **Ne pas utiliser à proximité de** buissons secs, brindilles, chiffons ou autres matériaux inflammables.
- **AVERTISSEMENT : Risque d'injection ou de blessures** – ne pas diriger le jet directement vers quelqu'un.

RÈGLES DE SÉCURITÉ PARTICULIÈRES









- **Les personnes utilisant ce produit sur les terres du Service forestier des États-Unis et de certains États doivent se conformer aux règlements sur la prévention des incendies.** Cet outil n'est pas doté d'un pare-étincelles, toutefois, d'autres exigences peuvent s'appliquer. Consulter les autorités locales et gouvernementales. Avant d'utiliser ce moteur sur une propriété réglementée par le Service forestier des États-Unis, il est nécessaire d'installer un pare-étincelles.
- **Ne jamais diriger le jet d'eau vers des personnes, animaux domestiques ou dispositifs électriques.**
- **Avant de commencer toute opération de nettoyage,** fermer les portes et fenêtres. Débarrasser la zone à nettoyer de débris, jouets, meuble de jardin ou autres objets pouvant créer un danger.
- **Ne jamais ramasser ni porter la machine lorsque le moteur tourne.**
- **Ne jamais mettre la machine en marche** si de la glace s'est formée sur quelque partie que ce soit.
- **Ne pas utiliser de produits acides ou alcalins, de solvants, de matières inflammables ou de solutions de qualité industrielle** dans ce produit. Ces produits peuvent causer des blessures de l'opérateur et des dommages irréversibles de l'équipement.
- **Toujours utiliser la machine** sur une surface plane. Si le moteur est incliné, il peut se gripper à cause d'un graissage insuffisant (même au niveau maximum d'huile).
- **AVERTISSEMENT : Les jets à haute pression peuvent être dangereux s'ils sont utilisés incorrectement.** Le jet ne doit pas être dirigé vers des personnes, animaux, dispositifs électriques ou l'équipement lui-même.
- **Ne jamais essayer de faire des réglages pendant que le moteur tourne** (sauf en cas de recommandations spécifiques du fabricant).
- **Les dispositifs de protection doivent toujours couvrir des pièces en rotation quand le moteur tourne.**
- **Garder l'entrée d'air** (lanceur à rappel) et le côté échappement du moteur au à au moins 3 pi (914 mm) des structures, obstacles et autres objets combustibles.
- **Garder le moteur à l'écart des articles inflammables et autres matières dangereuses.**
- **Rester à l'écart des pièces brûlantes.** L'échappement et d'autres pièces de moteur deviennent brûlantes, se montrer prudent.
- **Ne toucher ni la bougie, ni le câble d'allumage** lors du démarrage et du fonctionnement du moteur.
- **Vérifier le serrage des flexibles et raccords de carburant** et s'assurer de l'absence de fuites avant chaque utilisation.
- **Vérifier le serrage de la boulonnerie** avant chaque utilisation. Un boulon ou écrou desserré peut causer de sérieux problèmes de moteur.
- **Toujours effectuer l'approvisionnement en carburant à l'extérieur.** Ne jamais refaire le plein en intérieur ou dans un endroit insuffisamment ventilé.
- **Ne jamais remiser la machine avec du carburant dans le réservoir de carburant dans un local** où des sources d'allumage, telles que radiateurs à gaz et à eau chaude, les séchoirs à vêtements, etc., sont présentes.
- **Si le réservoir de carburant doit être vidé, le faire à l'extérieur.**
- **Manipuler le carburant avec précaution** pour éviter les risques d'incendies et de brûlures. Le carburant est extrêmement inflammable.
- **Ne pas fumer pendant la manipulation du carburant.**
- **Faire l'appoint de carburant avant de lancer le moteur.** Ne jamais retirer le couvercle du réservoir de carburant ni ajouter du carburant pendant que le moteur tourne ou quand le moteur est chaud.
- **Desserrer le bouchon du réservoir** lentement pour relâcher la pression et éviter que le carburant s'échappe.
- **Remettre en place tous les bouchons de conteneur et de réservoir de carburant et les serrer fermement.**
- **Essuyer tout le carburant éventuellement répandu.** S'éloigner de 9 m (30 pi) du point d'approvisionnement avant de lancer le moteur.
- **Si du carburant est renversé,** ne pas essayer de démarrer le moteur mais éloigner la machine de l'endroit et éviter de créer une source d'inflammation jusqu'à ce que les vapeurs de carburant se soient dissipées.
- **N'essayer en aucun cas de brûler le carburant répandu.**
- **Laisser le moteur refroidir avant de remiser l'outil.**
- **Remiser le carburant dans un endroit frais, bien aéré,** à l'écart d'étincelle et/ou d'appareils produisant des flammes.
- **Conserver le carburant dans des jerrycans spécialement conçus à cet effet.**
- **Pour le transport sur ou dans un véhicule,** le réservoir doit être vide et la machine bien arrimée.
- **Utiliser exclusivement des pièces identiques à celles d'origine pour les réparations.** L'usage de toute autre pièce pourrait créer une situation dangereuse ou endommager l'outil.
- **Utiliser de l'eau froide uniquement.**
- **Veiller à garder une distance d'au moins 3 pi (914 mm)** des matériaux combustibles.
- **Ne jamais la pulvérisation proche à la surface** être nettoyée comme vous pouvez endommager la surface.
- **Après avoir arrêté le moteur, toujours appuyer sur la gâchette de la poignée afin de libérer la pression contenue dans le tuyau haute pression.** Ne pas respecter cette directive pourrait entraîner des blessures graves.
- **S'assurer que le tuyau flexible haute pression est branché correctement avant d'utiliser le produit.**
- **Conserver ces instructions.** Les consulter fréquemment et les utiliser pour instruire d'autres utilisateurs. Si cet outil est prêt, il doit être accompagné de ces instructions.

SYMBOLES

Les termes de mise en garde suivants et leur signification ont pour but d'expliquer le degré de risques associé à l'utilisation de ce produit.


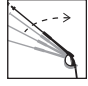


SYMBOLE	SIGNAL	SIGNIFICATION
	DANGER :	Indique une situation extrêmement dangereuse qui, si elle n'est pas évitée, aura pour conséquences des blessures graves ou mortelles.
	AVERTISSEMENT :	Indique une situation potentiellement dangereuse qui, si elle n'est pas évitée, pourrait entraîner des blessures graves ou mortelles.
	ATTENTION :	Indique une situation potentiellement dangereuse qui, si elle n'est pas évitée, pourrait entraîner des blessures légères ou de gravité modérée.
	ATTENTION :	(Sans symbole d'alerte de sécurité) Indique une situation pouvant entraîner des dommages matériels.

Certains des symboles ci-dessous peuvent être présents sur le produit. Veiller à les étudier et à apprendre leur signification. Une interprétation correcte de ces symboles permettra d'utiliser le produit plus efficacement et de réduire les risques.

SYMBOLE	NOM	DÉSIGNATION / EXPLICATION
	Symbole d'alerte de sécurité	Indique un risque de blessure potentiel.
	Lire manuel d'utilisation	Pour réduire les risques de blessures, l'utilisateur doit lire et veiller à bien comprendre le manuel d'utilisation avant d'utiliser ce produit.
	Protection oculaire	Toujours porter une protection oculaire avec écrans latéraux certifiée conforme à la norme ANSI Z87.1.
	Avertissement concernant l'humidité	Ne pas exposer à la pluie ou l'humidité.
	Surface brûlante	Pour réduire les risques de blessures ou de dommages, éviter tout contact avec les surfaces brûlantes.
	Risque d'injection	Pour réduire les risques d'injection ou de blessures, ne jamais diriger le jet directement vers des enfants ou animaux domestiques et ne placer aucune partie du corps sur la trajectoire du jet. Les fuites aux flexibles et raccords peuvent également entraîner des blessures. Ne pas tenir des flexibles ou raccords.
	Risque d'explosion	Le carburant et ses vapeurs sont explosifs et peuvent entraîner des brûlures graves ou mortelles.
	Risque d'incendie	Le carburant et ses vapeurs sont extrêmement inflammables et explosifs. Le feu peut entraîner des brûlures graves ou mortelles.

SYMBOLES

Certains des symboles ci-dessous peuvent être présents sur le produit. Veiller à les étudier et à apprendre leur signification. Une interprétation correcte de ces symboles permettra d'utiliser le produit plus efficacement et de réduire les risques.

SYMBOLE	NOM	DÉSIGNATION / EXPLICATION
	Vapeurs toxiques	Les dérivés du pétrole dégagent du monoxyde de carbone, un gaz toxique inodore et incolore. L'inhalation du monoxyde de carbone peut entraîner des nausées, des évanouissements ou être mortelle.
	Rebond	Pour réduire le risque de blessure suite à un rebond, tenir la lance fermement à deux mains lorsque la machine est en fonctionnement.
	Choc électrique	Ne pas utiliser la machine dans un endroit sec ou ne pas respecter les pratiques de sécurité peut entraîner un choc électrique.
	Brûlures chimiques	Pour réduire les risques de blessures ou de dommages matériels, NE PAS UTILISER DE PRODUITS ACIDES, ALCALINS OU JAVÉLISÉS, NI DE SUBSTANCES INFLAMMABLES OU DE SOLUTIONS DE QUALITÉ INDUSTRIELLE dans ce produit.

AVERTISSEMENT :

Ce produit et les gaz d'échappement de ce produit peut contenir des produits chimiques, notamment du plomb, identifiés par l'état de Californie comme causes de cancer, de malformations congénitales et d'autres troubles de l'appareil reproducteur. Bien se laver les mains après toute manipulation.

CARACTÉRISTIQUES

FICHE TECHNIQUE

Moteur	179 cc OHV
Contenance du réservoir de carburant	3,6 litre.(0,96 gal)
Contenance en huile.....	0,6 l (20,3 oz.)
Pression maximum en livres par pouce carré/Kpa*	17 927 kPa (2 500 psi)
Débit maximum par minute*	8,7 LPM (2,3 gpm)
Température maximum d'eau d'arrivée.....	40 °C (104 °F)

*Maximum évaluant résolu par la norme de PWMA 101, quand essayé avec le buse rouge

APPRENDRE À CONNAÎTRE LE NETTOYEUR HAUTE PRESSION

Voir la figure 1.

La sécurité d'utilisation de ce produit exige la compréhension des informations apposées sur l'outil et contenues dans ce manuel d'utilisation, ainsi que la connaissance du travail à exécuter. Avant d'utiliser ce produit, se familiariser avec toutes ses fonctions et règles de sécurité.

179 cc OHV MOTEUR

Le moteur à 179 cc OHV permet au nettoyeur haute pression d'atteindre 17 927 kPa (2 600 psi) (livres par pouces carrés) à 8,7 LPM (2,3 gpm).

COMMUTATEUR DE MOTEUR

Le commutateur de moteur est utilisé dans la combinaison avec le manchon en lanceur à rappel pour commencer le moteur. Il est aussi utilisé pour arrêter le moteur.

RÉSERVOIR DE CARBURANT

La contenance maximum de ce réservoir de carburant est de 1,8 litre (0.48 gal). Utiliser de l'essence sans plomb.

SUPPORT DE RANGEMENT

Une fois le tuyau flexible haute pression enroulé, le suspendre sur le crochet situé sur le côté de la poignée au moyen de la courroie velcro pour le fixer en place.

LANCEUR À RAPPEL

Tirer sur le lanceur pour mettre le moteur en marche.

BUSE À DÉTERGENT

La buse à savon de couleur noire est utilisée uniquement pour appliquer du détergent à une faible pression.

PARE-ÉTINCELLES

Ce moteur n'est pas équipé d'un pare-étincelles monté en usine. Dans certaines régions, il est interdit d'utiliser un moteur sans pare-étincelles. Un pare-étincelles est disponible en appelant le service après-vente.

SOUPE DE SUPPRESSION THERMIQUE

Ce dispositif de la pompe empêche que la température de l'eau atteigne un niveau dangereux en relâchant une petite quantité d'eau par un flexible en caoutchouc. Une fois l'eau écoulée, la soupape se réarme automatiquement.

POIGNÉE DE GÂCHETTE

La poignée de gâchette est dotée d'une surface de prise permettant de mieux la contrôler et de réduire la fatigue.

GÂCHETTE AVEC VERROUILLAGE

Appuyer sur la gâchette pour produire un jet d'eau à haute pression pour le nettoyage. Le verrouillage constitue une protection contre toute utilisation non autorisée.

ASSEMBLAGE

DÉBALLAGE

Ce produit doit être assemblé.

- Avec précaution, sortir l'outil et les accessoires de la boîte. S'assurer que toutes les pièces indiquées sur la liste de contrôle sont incluses.



AVERTISSEMENT :

Ne pas utiliser le produit si, en le déballant, vous constatez que des éléments figurant dans la liste de contrôle d'expédition sont déjà assemblés. Certaines pièces figurant sur cette liste n'ont pas été assemblées par le fabricant et exigent une installation. Le fait d'utiliser un produit qui a été assemblé de façon inadéquate peut entraîner des blessures.

NOTE : Cet outil est lourd. Pour éviter des problèmes lombaires soulever avec les jambes, pas avec le dos et demander de l'aide lorsque nécessaire.

- Examiner soigneusement l'outil pour s'assurer que rien n'a été brisé ou endommagé en cours de transport.
- Ne pas jeter les matériaux d'emballage avant d'avoir soigneusement examiné l'outil et avoir vérifié qu'il fonctionne correctement.
- Si des pièces sont manquantes ou endommagées, appeler le 1-800-242-4672 for assistance.

ASSEMBLAGE

LISTE DE CONTRÔLE

Nettoyeur haute pression
Tuyau haute pression de 7,6 m (25 pi)
Poignée de gâchette
Lance de pulvérisation
Buse à raccord rapide (4)
Flexible d'injection
Filtre à d'injection transparent
Support de la lance d'arrosage inférieur
Support de la lance d'arrosage supérieur
Écrou de blocage
M8 10 mm boulon
M8 13 mm écrou à embase
Lubrifiant moteur 4 temps (SAE30, SAE 10W30)
Essieu (2)
Goupille de sûreté (2)
Roue (2)
Rondelle (2)
Manche
Manuel d'utilisation

OUTILS NÉCESSAIRES

Voir la figure 1a.

- 13 mm douilles (9/16 po)
- 10 mm clé (7/16 po)

AVERTISSEMENT :

Si des pièces manquent ou sont endommagées, ne pas utiliser cet outil avant qu'elles aient été remplacées. Le fait d'utiliser ce produit même s'il contient des pièces endommagées ou s'il lui manque des pièces peut entraîner des blessures graves.

AVERTISSEMENT :

Ne pas essayer de modifier cet outil ou de créer des accessoires non recommandés pour cet outil. De telles altérations ou modifications sont considérées comme un usage abusif et peuvent créer des conditions dangereuses, risquant d'entraîner des blessures graves.

AVERTISSEMENT :

Pour empêcher un démarrage accidentel pouvant entraîner des blessures graves, toujours déconnecter le fil de bougie de moteur de la bougie d'allumage avant d'assembler des pièces.

INSTALLATION DES ROUES

Voir la figure 2.

- Localiser l'essieu, les axes de blocage, le rondelle et les roues.
- Glisser ce l'essieu dans le trou central de la roue.
- Glisser le rondelle de l'essieu.
- Soulever la machine et insérer l'essieu, muni de la rondelle et de la roue sans le trou de montage de la base, comme illustré.
- Pousser la goupille de blocage dans le trou de l'extrémité de l'essieu pour assujettir la roue.
NOTE : La goupille d'attelage doit être poussée dans l'essieu jusqu'à ce que le centre de la goupille repose sur le dessus de l'essieu.
- Répéter la procédure pour l'autre roue.

INSTALLATION DU MANCHE

Voir la figure 3.

Appuyer sur le bouton à ressort du cadre et le tenir enfoncé au moment de glisser la poignée sur le cadre.

NOTE : Tirer sur le manche pour engager le bouton de verrouillage dans la fente pour le verrouillers en place.

INSTALLATION DU SUPPORT DE LA LANCE D'ARROSAGE INFÉRIEUR ET SUPÉRIEUR

Voir la figure 4.

- Aligner le support supérieur de la lance d'arrosage sur les trous de la poignée, tel qu'il est illustré.
- Glisser le côté long du support de la lance d'arrosage dans la poignée et serrer solidement le tout au moyen d'un écrou de blocage.
- Placer le support de la lance d'arrosage au-dessus des trous.
- Aligner le boulon avec les trous et enfoncer le boulon.
- Tenir l'écrou à épaulement à l'aide d'une clé de 13 mm et la tête du boulon à l'aide d'une douille de 10 mm. Serrer jusqu'à ce que le boulon soit ajusté.

ASSEMBLAGE DE POIGNÉE DE GÂCHETTE

Voir la figure 5.

- Engager l'extrémité fileté de la lance de pulvérisation dans le connecteur de la poignée de gâchette.
- Tourner le connecteur à fond vers la droite. Ceci assujettit la lance de pulvérisation.

BRANCHEMENT DU FLEXIBLE HAUTE PRESSION SUR DE POIGNÉE DE GÂCHETTE

Voir figure 6.

- Visser le collier du flexible sur le raccord de la poignée de gâchette en le tournant vers la droite.
- Tirer sur le tuyau pour s'assurer qu'il est correctement bloqué.

ASSEMBLAGE

INSTALLATION DU TUYAU D'INJECTION

Voir figure 7.

Le flexible d'injection doit être installé avant de pouvoir utiliser du détergent dans la machine.

- Pousser le filtre du tuyau d'injection sur l'extrémité du tuyau d'injection (s'il n'est pas déjà installé).
- Pousser l'extrémité de l'ouverture du tuyau flexible transparent solidement par-dessus le raccord.

NOTE : Garder le tuyau d'injection loin des surfaces chaudes.

CONNEXION DU FLEXIBLE HAUTE PRESSION SUR LA POMPE

Voir la figure 8.

Une fois le flexible haute pression déroulé et connecté à gâchette de la poignée :

- Aligner le collier sur le téton fileté de la pompe.
- Insérer la buse de l'extrémité du collier du flexible haute pression dans le téton fileté.
- Tourner le collier vers la droite et la serrer fermement sur la pompe.
- Tirer sur le tuyau pour s'assurer qu'il est solidement assujéti.

CONNEXION DU TUYAU D'ARROSAGE AU NETTOYEUR HAUTE PRESSION

Voir la figure 9.

ATTENTION :

Toujours respecter tous les règlements locaux au moment de brancher les tuyaux flexibles à l'alimentation principale en eau. Dans certaines régions, l'unité ne doit pas être reliée directement à l'alimentation publique en eau potable pour éviter que des produits chimiques affectent le système. Un raccordement direct est généralement permis si une bêche de récupération ou un dispositif anti-refoulement est utilisé.

L'alimentation en eau doit provenir d'une conduite principale d'alimentation en eau. Ne JAMAIS utiliser l'eau chaude ou l'eau des piscines, lacs, etc. Avant de connecter le tuyau d'arrosage au nettoyeur haute pression :

- Faire circuler l'eau dans le flexible pendant 30 secondes pour le débarrasser des débris.
- Inspecter le tamis dans l'arrivée d'eau.
- Si le tamis est endommagé, ne pas utiliser l'équipement avant d'avoir remplacé le tamis.
- Si le tamis est sale, le nettoyer avant de connecter le tuyau d'arrosage à l'équipement.

Pour connecter le tuyau d'arrosage à l'équipement :

- Dérouler le tuyau d'arrosage.

NOTE : Il doit y avoir un minimum de 3 m (10 pi) de tuyau entre l'admission du nettoyeur haute pression et le robinet de tuyau ou le robinet de sectionnement (comme un connecteur de sectionnement en « Y »).

- Le robinet de tuyau étant complètement fermé, fixer l'extrémité du tuyau d'arrosage sur l'arrivée d'eau. Serrer à la main.

ATTENTION:

Ne pas faire fonctionner la pompe de la laveuse à pression sans que l'arrivée d'eau soit connectée et activée. Ne pas respecter cette directive peut faire en sorte d'endommager les joints d'étanchéité haute pression et de réduire la durée de vie utile de la pompe. Dérouler complètement le tuyau et s'assurer qu'il ne se coince pas dans les pneus, dans des roches ou tout autre objet susceptible de couper ou de réduire l'alimentation en eau de la laveuse à pression.

UTILISATION

AVERTISSEMENT :

Ne pas laisser la familiarité avec l'outil faire oublier la prudence. Ne pas oublier qu'une fraction de seconde d'inattention peut entraîner des blessures graves.

AVERTISSEMENT :

Toujours porter une protection oculaire avec écrans latéraux certifiée conforme à la norme ANSI Z87.1. Si cette précaution n'est pas prise, des objets peuvent être projetés dans les yeux et causer des lésions graves.

AVERTISSEMENT :

Ne jamais diriger le jet d'eau vers des personnes, animaux domestiques ou dispositifs électriques. Le non-respect de cet avertissement pourrait entraîner des blessures graves.

AVERTISSEMENT :

Ne jamais diriger le jet d'eau vers des personnes, animaux domestiques ou dispositifs électriques. Le non-respect de cet avertissement pourrait entraîner des blessures graves.

UTILISATION

APPLICATIONS

Ce produit peut être utilisé pour les applications suivantes :

- Enlever la saleté et les moisissures des terrasses, patios en ciment et parements de maison
- Nettoyage de véhicules, bateaux, motos, meubles de jardins et grills

AJOUT/VÉRIFICATION DE LUBRIFIANT

Voir la figure 10.

NOTE : Cet équipement a été expédié avec environ 0,06 l (2 oz) lubrifiant dans le moteur, résultant des essais. **Faire l'appoint lubrifiant moteur avant le premier démarrage.**

ATTENTION :

Toute tentative de démarrage du moteur sans avoir fait l'appoint lubrifiant entraînera une défaillance.

Pour ajouter de l'huile à moteur :

- Poser le nettoyeur haute pression sur une surface plane et horizontale.
- Dévisser le bouchon / jauge d'huile en le tournant dans le sens inverse des aiguilles d'une montre.
- Faire l'appoint en remplissant lubrifiant moteur 4 temps (SAE 30, SAE 10W30) jusqu'au niveau supérieur de la goulotte de remplissage (flacon lubrifiant moteur 4 temps de 0,53 litre (18 oz) fourni).
- Remettre le bouchon / jauge d'huile en place et le serrer fermement.

NOTE : La contenance en lubrifiant de ce moteur est de 0,6 litre (20,3 oz).

Pour vérifier le niveau d'huile du moteur :

- Placer le nettoyeur haute pression sur une surface plane.
- Essuyer la jauge et l'insérer de nouveau dans le trou sans visser.
- Retirer une nouvelle fois la jauge et vérifier le niveau de lubrifiant. Le niveau de lubrifiant doit se trouver dans la zone hachurée de la jauge.
- Si le niveau est bas, ajouter de le lubrifiant moteur jusqu'à ce que le niveau atteigne la portion supérieure de la zone hachurée sur la jauge.
- Réinstaller et serrer le bouchon d'huile/la jauge.

ATTENTION :

Ne pas remplir à l'excès. Trop remplir le carter peut produire une fumée excessive et endommager le moteur.

CARBURANTS OXYGÉNÉS

NE PAS UTILISER LE CARBURANT E85. LE NON-RESPECT DE CETTE DIRECTIVE ENTRAÎNE L'ANNULATION DE LA GARANTIE.

NOTE : Les dommages au circuit de carburant et les problèmes de performance résultant de l'utilisation de carburant oxygéné contenant des pourcentages de composants oxygénés supérieurs à ceux indiqués ci-dessous **ne sont pas couverts par la garantie.**

Éthanol. L'essence contenant jusqu'à 10 % d'éthanol par volume (généralement désignée E10) est acceptable. L'essence désignée E85 ne l'est pas.

APPOINT D'ESSENCE

Voir la figure 11.

AVERTISSEMENT :

L'essence et ses vapeurs sont extrêmement inflammables et explosives. Pour éviter blessures et dommages matériels, manipuler l'essence avec prudence. Garder à l'écart des sources d'allumage, manipuler en plein air uniquement, ne pas fumer lors de l'appoint de carburant et essuyer immédiatement tout carburant répandu.

Lors de l'appoint de carburant du nettoyeur haute pression, vérifier que la machine se trouve sur une surface plane et horizontale. Si le moteur est très chaud, laisser le nettoyeur haute pression refroidir avant d'ajouter de l'essence. **TOUJOURS** faire l'appoint de carburant à l'extérieur.

NOTE : Utiliser exclusivement de l'essence sans plomb. **NE PAS MÉLANGER** lubrifiant et l'essence.

- Avant de retirer le bouchon du réservoir d'essence, nettoyer son pourtour. Retirer le bouchon du réservoir de carburant.
- Insérer un entonnoir propre dans le réservoir et verser le carburant lentement. Remplir le réservoir jusqu'à environ 38 mm (1-1/2 po) au dessous du bord de la goulotte de remplissage (pour permettre la dilatation du carburant).
- Remettre le bouchon / jauge de carburant en place et le serrer fermement le bouchon "hasta que trabe".
- Essuyer tout carburant répandu avant de lancer le moteur.

HUILE DE LA POMPE

La pompe de la laveuse à pression a été remplie en usine avec une quantité suffisante d'huile. Il n'est pas nécessaire de vérifier ou d'ajouter de l'huile à la pompe avant la première utilisation.

MISE EN MARCHÉ / ARRÊT DU NETTOYEUR HAUTE PRESSION

Voir les figures 12 à 14.

ATTENTION :

Ne pas faire fonctionner la pompe de la laveuse à pression sans que l'arrivée d'eau soit connectée et activée. Ne pas respecter cette directive peut faire en sorte d'endommager les joints d'étanchéité haute pression et de réduire la durée de vie utile de la pompe. Dérouler complètement le tuyau et s'assurer qu'il ne se coince pas dans les pneus, dans des roches ou tout autre objet susceptible de couper ou de réduire l'alimentation en eau de la laveuse à pression.

NOTE: Retirer le bouchon d'aération de la pompe avant la première utilisation.

Avant de lancer le moteur:

- Connecter tous les flexibles.
- Vérifier les niveaux de liquides (lubrifiant et carburant).
- Ouvrir l'eau du tuyau d'arrosage et appuyer sur la gâchette pour purger l'air. Continuer d'appuyer sur la gâchette jusqu'à ce que l'eau s'écoule régulièrement.

Lancement du moteur :

- Régler le robinet de carburant en position ON (MARCHÉ).
- Placer le levier d'étrangleur à la position « COLD START » (démarrage à froid).

UTILISATION

NOTE : Si le moteur est chaud, laisser le volet de départ à la position « COLD START » (démarrage à froid). Laisser le moteur tourner pendant 5 secondes, puis mettre le levier d'étrangleur à la position « RUN » (ARRÊT).

- Régler l'interrupteur du moteur à la position « ON » (Marche).
- Tirer sur le lanceur jusqu'à ce que le moteur démarre (six fois au maximum).

NOTE : Ne pas lâcher le lanceur brusquement après le démarrage. Le remettre en douceur à sa position d'origine.

ATTENTION :

Si le moteur ne démarre pas après traction du lanceur de démarrage, appuyer sur la gâchette pour relâcher la pression d'eau avant de tenter de redémarrer.

- Laisser le moteur tourner pendant 5 secondes, puis mettre le levier d'étrangleur à la position « RUN » (ARRÊT).

Arrêt du moteur :

- Régler le commutateur de moteur en position OFF (ARRÊT).
- Appuyer sur la gâchette pour relâcher la pression d'eau.

FONCTIONNEMENT POIGNÉE DE GÂCHETTE

Voir la figure 15.

Pour un meilleur contrôle et une plus grande sécurité d'utilisation, toujours tenir la poignée de gâchette à deux mains.

- Appuyer sur la gâchette et la maintenir enfoncée pour actionner le nettoyeur haute pression.
- Relâcher la gâchette pour arrêter le jet d'eau de la buse.

Pour engager le verrouillage :

- Appuyer sur le bouton de verrouillage jusqu'à ce qu'il s'enclenche dans la fente.

Pour désengager le verrouillage :

- Appuyer sur le bouton de verrouillage pour le mettre dans sa position originale.

Pour une efficacité maximum, la buse doit être tenue à une distance de 203 à 610 mm (8 à 24 po) de la surface à nettoyer. Si la buse est trop proche, le jet peut endommager la surface.

SÉLECTIONNER LA BUSE À RACCORD RAPIDE APPROPRIÉE POUR LA TÂCHE

Voir les figures 16.

Chacune des buses offre une configuration de jet différente. Avant de commencer tout nettoyage, sélectionner la buse convenant le mieux pour l'application. Le tableau suivant présente certaines lignes directrices générales pour aider l'utilisateur à choisir la buse qui convient à l'application désirée.

Buse	Application
Buse rouge de 0°	Idéal pour nettoyer les taches situées dans les endroits en hauteur et difficiles d'accès <ul style="list-style-type: none"> • Pour retirer l'accumulation de boue sur l'équipement lourd de ferme, de construction ou d'entretien des pelouses • Pour enlever le goudron, la colle ou les taches tenaces sur le béton • Pour nettoyer les surfaces en surplomb • Pour enlever la rouille de l'acier et l'oxydation de l'aluminium

Buse	Application
Buse verte de 25°	Pour une utilisation générale ou sur les grandes surfaces <ul style="list-style-type: none"> • Pour enlever la saleté et la boue • Pour nettoyer les toits, les gouttières et les tuyaux de descente pluviale • Pour enlever les taches légères de moisissure • Pour retirer les algues et les bactéries accumulées sur les parois des piscines • Pour rincer les surfaces avant de les peindre
Buse blanche de 40°	Pour un rinçage à large portée <ul style="list-style-type: none"> • Pour un nettoyage et un lavage en douceur; • Pour laver et rincer les surfaces peintes et les bateaux; • Pour nettoyer les toits, les fenêtres, les patios et les entrées pavées.
Détergent (noir)	Pour toutes les applications de détergent



AVERTISSEMENT :

NE JAMAIS changer de buse sans d'abord verrouiller le dispositif de verrouillage sur la poignée de gâchette et ne jamais pointer la lance en direction du visage ou d'autres personnes. Le dispositif de raccord rapide contient de petits ressorts qui peuvent éjecter la buse avec force. Le non-respect de cette précaution peut entraîner des blessures.

Le collier de raccord rapide facilite le remplacement de la buse

Pour installer une buse sur la poignée de gâchette :

- Arrêter le nettoyeur et fermer l'arrivée d'eau. **Appuyer sur la gâchette pour relâcher la pression d'eau.**
- Verrouiller la poignée de gâchette en poussant sur le bouton de verrouillage jusqu'à ce qu'il s'engage dans la fente.
- Tirer la bague à connexion rapide vers l'arrière.
- Insérer en place la buse dans la lance d'arrosage.
- Poussez en avant la bague de manière à ce que la buse soit fixée solidement et vérifier le tout.

Pour retirer une buse de la poignée de gâchette une fois le nettoyage terminé :

- Arrêter le nettoyeur et fermer l'arrivée d'eau. Appuyer sur la gâchette pour relâcher la pression d'eau.
- Verrouiller la poignée de gâchette en poussant sur le bouton de verrouillage jusqu'à ce qu'il s'engage dans la fente.
- Retirer la buse en plaçant sa main au dessus de la buse puis en tirant la bague à connexion rapide vers l'arrière. Ranger la buse dans le compartiment du dessus de la machine prévu à cet effet.

UTILISATION DU TUYAU HAUTE PRESSION

Le tuyau haute pression comprend un revêtement extérieur qui permet de renforcer le tuyau. Si le revêtement extérieur est endommagé, il faut remplacer immédiatement le tuyau. Ne pas utiliser le tuyau haute pression si le revêtement extérieur est endommagé.

UTILISATION

Pour éviter d'endommager le revêtement extérieur :

- Examiner le tuyau avant chaque utilisation.
- Dérouler complètement le tuyau et le raidir avant l'utilisation.
- Ne pas laisser le tuyau haute pression s'entortiller.
- Tenir le tuyau à l'écart des surfaces chaudes et des rebords tranchants.
- Ne pas tirer l'unité par le tuyau haute pression.
- Ne pas laisser le tuyau s'écraser ou s'enrouler autour des objets.

NETTOYAGE AVEC DU DÉTERGENT

Voir la figure 17.

Utiliser uniquement des détergents conçus pour les nettoyeurs haute pression ; les produits ménagers, les acides, alcalines, agents de blanchiment, solvants, les produits inflammables, ou les solutions qualité industrielle pourraient endommager la pompe. De nombreux détergents ou produits chimiques doivent être mélangés avant l'emploi. Préparer la solution de nettoyage selon les instructions du flacon de solution.

- Retirer le bouchon du réservoir de détergent et placer le tube d'injection de détergent et le filtre dans le réservoir.
- Installer la buse de détergent sur la lance d'arrosage.
- Placer la tuyau pour détergent en la réservoir de détergent.
- Pulvériser le détergent sur une surface sèche à l'aide de mouvements longs, uniformes, se chevauchant. Pour éviter de laisser des marques, ne pas laisser le détergent sécher sur la surface.

Avant d'arrêter le moteur :

- Placer le flexible d'injection dans un seau d'eau propre.
- Rincer pendant 1 à 2 minutes (pulvériser de l'eau propre avec la lancette).
- Arrêter le moteur.

NOTE : Couper le moteur (commutateur en position **(O)**) ne relâche pas la pression du système. **Tirer sur la gâchette pour relâcher la pression d'eau.**

RINÇAGE AVEC LE NETTOYEUR HAUTE PRESSION

- Arrêter le nettoyeur et fermer l'arrivée d'eau. Appuyer sur la gâchette pour relâcher la pression d'eau.
- Verrouiller la poignée de gâchette en poussant sur le bouton de verrouillage jusqu'à ce qu'il s'engage dans la fente.
- Retirer la buse en plaçant la main sur la buse et tirer sur le collier du raccord rapide. Ranger la buse dans le compartiment du dessus de la machine prévu à cet effet.
- Sélectionner la buse appropriée pour le travail. Consulter le tableau à la page précédente pour choisir la buse appropriée.
- Commencer en haut de la zone à rincer et continuer vers le bas en faisant chevaucher les passes.

DÉPLACEMENT DU NETTOYEUR HAUTE PRESSION

Voir la figure 18.

NOTE : Ne jamais soulever ou porter ce produit par le guidon.

- Pour arrêter le nettoyeur.
- Basculer la machine vers soi pour la mettre en équilibre sur les roues puis la faire rouler jusqu'à l'endroit désiré.

ENTRETIEN

AVERTISSEMENT :

Utiliser exclusivement des pièces identiques à celles d'origine pour les réparations. L'usage de toute autre pièce pourrait créer une situation dangereuse ou endommager l'outil.

AVERTISSEMENT :

Toujours porter une protection oculaire avec écrans latéraux certifiée conforme à la norme ANSI Z87.1. Si cette précaution n'est pas prise, des objets peuvent être projetés dans les yeux et causer des lésions graves.

AVERTISSEMENT :

Avant d'inspecter, nettoyer ou entretenir l'équipement, couper le moteur, attendre que toutes les pièces en mouvement s'arrêtent, déconnecter le fil de la bougie et l'écarter de la bougie. Le non-respect de ces instructions peut entraîner des blessures graves ou des dégâts matériels.

ENTRETIEN GÉNÉRAL

Éviter d'utiliser des solvants pour le nettoyage des pièces en plastique. La plupart des matières plastiques peuvent être endommagées par divers types de solvants du commerce. Utiliser un chiffon propre pour éliminer la saleté, la poussière, l'huile, la graisse, etc.

AVERTISSEMENT :

Ne jamais laisser de liquides tels que le fluide de freins, l'essence, les produits à base de pétrole, les huiles pénétrantes, etc., entrer en contact avec les pièces en plastique. Les produits chimiques peuvent endommager, affaiblir ou détruire le plastique, ce qui peut entraîner des blessures graves.

Seules les pièces figurant sur la liste de contrôle sont conçues pour être réparées ou remplacées par l'utilisateur. Toutes les autres pièces doivent être remplacées dans un centre de réparations agréé.

ENTRETIEN

Avant de lancer le moteur, prendre les précautions suivantes :

- Vérifier que tous les boulons, écrous, etc. sont bien serrés.
- S'assurer que le filtre à air est propre.
- Vérifier les niveaux lubrifiant moteur et de carburant ; faire l'appoint selon le besoin.
- Regarder si le lieu de travail présente des dangers.
- En cas de vibrations ou bruits excessifs arrêter immédiatement la machine.

ENTRETIEN DE BUSE

Une pression de pompe excessive (sensation d'impulsion au serrage de la gâchette) peut être le résultat d'une buse bouchée ou sale.

- Arrêter le nettoyeur et fermer l'arrivée d'eau. Appuyer sur la gâchette pour relâcher la pression d'eau.
- Retirer la buse de la lance de pulvérisation.
NOTE : Ne jamais diriger la lance de pulvérisation vers le visage.
- Installer la buse de couleur noire sur la lance d'arrosage.
- À l'aide d'un tuyau d'arrosage, rincer les débris de la buse en rinçant à l'envers (en dirigeant le jet de l'extérieur vers l'intérieur).
- Reconnecter la buse sur la lancette.
- Ouvrir l'arrivée d'eau et démarrer le moteur.

NETOYAGE/ REMPLACEMENT DU FILTRE À AIR

Voir la figure 19.

Un filtre à air sale peut entraîner des difficultés de démarrage, une perte de performance et raccourcir la durée de vie du moteur. Vérifier le filtre à air chaque mois. Dans le cas du travail dans un sol poussiéreux, nettoyer le filtre à air après chaque ravitaillement en carburant. Pour obtenir un fonctionnement optimal, remplacer le filtre à air au moins une fois par an.

Le couvercle du filtre pivote vers le haut et se soulève.

- À l'aide d'un linge humide, essuyer le couvercle et la surface interne du filtre à air. S'assurer de ne pas laisser pénétrer la poussière dans le carburateur.
- Retirer le filtre à air.
- Rincer le filtre avec de l'eau propre.
- Presser légèrement sur le filtre jusqu'à ce que l'excédent d'eau soit retiré.
- Appliquer une légère couche d'huile pour moteur sur l'élément en filtre, puis l'extraire en pressant l'élément en mousse.
- Réinstaller le filtre en mousse.
- Réinstaller le couvercle du filtre.

NOTE : S'assurer que le filtre est correctement positionné dans le compartiment. Une installation incorrecte du filtre laisse la saleté entrer dans le moteur, entraînant une usure rapide du moteur.

VIDANGE DE LE LUBRIFIANT MOTEUR

Voir la figure 20.

- Éteindre le moteur.
- Nettoyer la surface située autour du bouchon/jauge du réservoir d'huile, puis le retirer.

Pour vider l'huile par l'orifice de vidange d'huile :

- Débrancher le fil de la bougie du moteur.
- Pour vider le lubrifiant, retirer la vis à tête hexagonale située dans la partie inférieure du moteur. Vider l'huile dans un contenant approuvé à cet effet.

NOTE : Retirer la jauge pour faciliter et accélérer le drainage de l'huile.

- Remplir le réservoir d'huile en suivant les instructions décrites à la section intitulée « **Ajouter de l'huile pour moteur/vérifier l'huile débrancher le fil de la bougie du moteur** ».

- Avant d'utiliser la laveuse à pression, s'assurer que le moteur ne présente aucune fuite.

NOTE : Le lubrifiant usé doit être éliminé auprès d'un site approuvé. Voir le détaillant d'huile local pour plus d'informations.

ENTRETIEN DE LA BOUGIE

Voir la figure 21.

- Nettoyer la surface située autour de la base de la bougie d'allumage avant de retirer cette dernière afin de garder le moteur exempt de poussières et de débris. Retirer la bougie.
- Nettoyer les dépôts de carbone se trouvant sur l'électrode de la bougie à l'aide d'un nettoie-bougie ou d'une brosse métallique. Remplacer la bougie si elle est usée ou si sa réutilisation est discutable (bougie recommandée : Champion RC12YC).
- Vérifier l'écartement des pointes d'électrode. Il doit mesurer entre 0,7 et 0,8 mm. Ajuster l'écartement au besoin en pliant avec précaution l'électrode de mise à la terre.
- Vérifier l'état du joint de bougie.
- Réinstallez de bougie. La visser à la main et serrer à la main.
- Serrer à l'aide d'une clé afin de compresser la rondelle. S'il s'agit d'une nouvelle bougie, tourner la clé d'un demi-tour pour compresser adéquatement la rondelle. Si une ancienne bougie est réutilisée, tourner la clé sur 1/8 ou 1/4 tour pour compresser adéquatement la rondelle.
NOTE : Si la bougie est serrée de façon inappropriée, elle peut devenir très chaude et endommager le moteur.

ENTRETIEN DE LA POMPE

Inspectez visuellement et régulièrement la pompe. Si vous constatez une fuite d'huile autour des joints d'étanchéité de la pompe, confiez la réparation de la laveuse à pression à un centre de réparations agréé.

La pompe de la laveuse à pression ne renferme aucune pièce qui peut être réparée par l'utilisateur. Toute tentative de procéder à l'entretien de la pompe ou de la modifier peut endommager la laveuse à pression et annuler la garantie du produit.

REMISAGE DU NETTOYEUR HAUTE PRESSION

Voir la figure 22.

Ranger le nettoyeur à haute pression après avoir soit vidé le réservoir de carburant, soit brûlé tout le carburant en laissant tourner le moteur.

NOTE : Si la laveuse à pression est utilisée jusqu'à la panne de carburant, s'assurer qu'elle est toujours alimentée en eau.

ENTRETIEN

Laisser la machine refroidir pendant environ 30 minutes avant de la remiser. Remiser la machine dans un endroit sec à l'abri des intempéries.

Il est important de remiser ce produit à l'abri du gel. Toujours vider l'eau de tous les flexibles, de la pompe, du réservoir de carburant et du seau de détergent avant de remiser l'équipement.

NOTE : L'utilisation d'un stabilisateur de carburant et économiseur de pompe assure une meilleure performance et augmente la durabilité de l'équipement.

Carburant de décharge :

Vider complètement le réservoir de carburant. L'essence stockée peut s'évaporer en 30 jours.

Lubrifiant moteur :

Vider lubrifiant et le remplacer par de lubrifiant fraîche et propre.

Bougie :

- Déconnecter le fil de bougie et retirer la bougie. Verser environ une cuillère à thé lubrifiant propre pour moteur quatre temps refroidi par air, par le trou de bougie, dans la chambre de combustion.
- La bougie étant retirée, tirer deux ou trois fois sur le cordon lanceur pour enduire l'intérieur de la paroi de cylindre.
- Inspecter la bougie et nettoyer ou remplacer, selon le besoin.
- Réinstaller la bougie, mais laisser son fil débranché.

Filtre à air :

Nettoyer le filtre à air.

Corde du lanceur :

Tirer la corde du lanceur pour vérifier son état. Si elle est usée, la confier immédiatement à un centre de réparations agréé afin de la faire remplacer.

Flexibles et pompe :

Rincer le tuyau d'injection à l'eau propre pendant 1 à 2 minutes. Retirer tous les flexibles. Vider la pompe en tirant

environ 6 fois sur le lanceur à rappel. Ceci doit retirer la plupart du liquide de la pompe.

Pour l'hiver et le stockage à long terme :

- Débrancher la connexion d'eau, si nécessaire.
- Débrancher le fil de la bougie du moteur.
- Tirer sur le lanceur et faire tourner le moteur plusieurs fois afin de purger toute l'eau restant dans la pompe.
- Démarrage le nettoyeur haute pression et lui permettre d'être candidat à quelques secondes pour éliminer n'importe quelle eau reste dans la pompe.
- Embobiner les tuyaux et placer dans l sangle à boucles et crochets sur la poignée de l'unité. Ne pas permettre au tuyau pour devenir tortillé.
- Remiser l'unité et les accessoires dans un secteur qui n'atteint pas les températures inférieures à 0 °C. Ne pas ranger près de la fournaise ou près des autres sources de chaleur qui pourrait sécher les joint d'étanchéité de pompe.

ATTENTION :

L'utilisation d'une pompe de protecteur est recommandé pour éviter le froid pendant le stockage des dommages au cours de l'hiver.

REMISE EN SERVICE APRÈS REMISAGE

- Tirer trois ou quatre fois la poignée de lanceur à rappel pour évacuer lubrifiant de la chambre de combustion.
- Retirer la bougie du cylindre. Essuyer lubrifiant de la bougie et la remettre en place dans le cylindre.
- Reconnecter le fil de bougie.
- Approvisionner la machine en carburant, comme indiqué plus haut dans ce manuel d'utilisation.

TABLEAU DE CALENDRIER D'ENTRETIEN PÉRIODIQUE

Articles d'entretien	Chaque utilisation	Toutes les 8 heures	Toutes les 20 heures	Toutes les 50 heures	Toutes les 100 heures	Toutes les 300 heures
Nettoyer le moteur et vérifier les boulons et écrous	X	X				
Vérifier le niveau d'huile moteur	X					
Changer l'huile moteur*			X			
Nettoyer la bougie					X	
Nettoyer le filtre à air	X			X		
Remplacer la cartouche de filtre à air				X		
Nettoyer et régler la bougie et les électrodes					X	
Remplacer la bougie					X	
Retirer le carbone de la culasse**						X
Vérifier et régler le jeu de soupape**						X

* Le changement d'huile initial doit être exécuté après les 20 premières heures de fonctionnement. Ne pas verser d'ancienne huile dans les drains d'égout, dans la terre de jardin ou dans des cours d'eau ouverts. Les règlements locaux d'aménagement ou de l'environnement donnent des instructions plus détaillées sur la procédure correcte d'élimination.

** À faire exécuter par le centre de services le plus proche

DÉPANNAGE

PROBLÈME	CAUSE	SOLUTION
Le moteur ne démarre pas	Pas de carburant dans le réservoir Bougie encrassée ou noyée La bougie est cassée (porcelaine fissurée ou électrodes cassées) Fil d'allumage en court-circuit, coupé ou débranché Pas d'allumage	Remplir le réservoir Remplacer la bougie Remplacer la bougie Remplacer le fil ou le brancher sur la bougie Contacter un centre de réparations agréé
Moteur difficile à démarrer	Eau dans le carburant Étincelle de bougie faible	Vidanger l'ensemble du système et remplir de carburant frais Contacter un centre de réparations agréé
Le moteur manque de puissance	Filtre à air encrassé	Nettoyer ou remplacer le filtre à air
Le détergent ne se mélange pas au jet d'eau	Le flexible d'injection n'est pas correctement immergé Buse haute pression installée	Plonger le flexible mélange pas au jet dans le réservoir o bouteille de détergent Utiliser la buse basse pression (noire) pour appliquer le détergent
La pompe ne produit pas de	Buse basse pression installée pression Débit d'alimentation en eau insuffisant La poignée de gâchette ou fuites à la lance de pulvérisation Buse obstruée Pompe défectueuse Air dans la conduite	Remplacer par la buse haute pression Fournir un débit d'eau adéquat Vérifier des connexions et/ou remplacer la lancette Nettoyer la buse Contacter un centre de réparations agréé Appuyer sur la gâchette de la lancette pour chasser l'aire de la conduite
La machine ne parvient pas à la pression correcte de fonctionnement	Diamètre du flexible insuffisant Arrivée d'eau réduite Alimentation en eau insuffisante Buse incorrecte installée	Remplacer par un tuyau d'arrosage de 3/4 po (19 mm) S'assurer que le tuyau n'est pas entortillé ou obstrué et qu'il ne présente pas de fuites Ouvrir complètement le robinet d'eau Installer la buse haute pression

GARANTIE

ÉNONCÉ DE LA GARANTIE LIMITÉE HORS MOTEUR

Homelite Consumer Products, Inc., (“Homelite”) garantit à l’acheteur original que ce produit la rondelle de pression de marque HOMELITE est exempt de tout vice de matériau ou de fabrication et s’engage à réparer ou remplacer gratuitement, à son choix, tout produit s’avérant défectueux au cours des périodes indiquées ci-dessous, à compter de la date d’achat.

- Deux ans si le produit est utilisé par des particuliers ;
- 90 jours un an si un des produits ci-dessus est utilisé à toutes autres fins, telles que les travaux commerciaux et la location.

Cette garantie n’est offerte qu’à l’acheteur original et entre en vigueur à la date de l’achat original.

Toute pièce de ce produit fabriquée ou fournie par Homelite et estimée défectueuse, selon le jugement raisonnable de Homelite en ce qui concerne la fabrication ou la main-d’œuvre, sera réparée ou remplacée sans frais pour les pièces et la main-d’œuvre par un centre de service autorisé Homelite agréé.

Le produit, y compris toutes les pièces défectueuses, devra être retourné à un centre de réparations Homelite agréé avant expiration de la période de garantie. Les frais d’expédition au centre de réparations et de retour au propriétaire du produit après la réparation ou le remplacement seront assumés par le propriétaire. La responsabilité de Homelite en ce qui concerne les réclamations en garantie se limitera aux réparations ou au remplacement des produits défectueux et aucune revendication de rupture de garantie ne pourra causer l’annulation ou la résiliation du contrat de vente d’un produit HOMELITE quel qu’il soit. Une preuve d’achat sera exigée par le centre de réparation, afin de valider toute réclamation au titre de la garantie. Tous les travaux sous garantie doivent être effectués par un centre de service autorisé Homelite agréé.

Cette garantie ne couvre pas le produit de marque ayant fait l’objet d’un usage abusif ou négligent, d’un manque d’entretien, ayant été impliqués dans un accident ou employés de façon contraire aux instructions du manuel du propriétaire. Cette garantie ne couvre ni les dommages aux produits le produit de marque résultant d’un entretien incorrect, ni le produit de marque altérés ou modifiés de façon à nuire au fonctionnement, aux performances et à la durabilité ou dans le but de l’utiliser pour un usage autre que celui pour lequel il a été conçu. La garantie exclut les réparations rendues nécessaires par l’usure normale ou l’utilisation de pièces et accessoires incompatibles avec produit la rondelle de pression de marque HOMELITE ou nuisibles à son bon fonctionnement, ses performances ou sa durabilité.

En outre, cette garanti exclut :

- A. Les réglages – Filtres à air, filtres à gaz, carburateurs, bougies
- B. Les articles d’usure – Tuyaux, raccords de connecteur, buses de pulvérisation, poignée de gâchette, lance à pulvérisation, roues, seau de détergent, réservoir de produits chimiques

Homelite se réserve le droit d’apporter des modifications ou améliorations à tout produit la rondelle de pression de marque HOMELITE, sans obligation de modifier les produits fabriqués antérieurement.

LA DURÉE DE TOUTES LES GARANTIES IMPLICITES NE SAURAIT EN AUCUN CAS EXCÉDER LA PÉRIODE DE GARANTIE DÉCLARÉE. PAR CONSÉQUENT, TOUTES LES GARANTIES IMPLICITES, Y COMPRIS LES GARANTIES DE VALEUR MARCHANDE, D’ADÉQUATION À UN USAGE PARTICULIER, OU AUTRES, SERONT INVALIDÉES À L’EXPIRATION DE LA PÉRIODE DE GARANTIE EXPLICITE DE DEUX ANS OU 90 JOURS. LES OBLIGATIONS HOMELITE DANS LE CADRE DE CETTE GARANTIE SE LIMITENT EXCLUSIVEMENT À LA RÉPARATION OU AU REMPLACEMENT DES PIÈCES DÉFECTUEUSES ET HOMELITE N’ASSUME OU N’AUTORISE QUICONQUE À ASSUMER EN LEUR NOM QUELQUE AUTRE OBLIGATION QUE CE SOIT. CERTAINS ÉTATS ET PROVINCES NE PERMETTANT PAS DE LIMITATION DE DURÉE DES GARANTIES IMPLICITES, LES RESTRICTIONS CI-DESSOUS PEUVENT NE PAS ÊTRE APPLICABLES. HOMELITE DÉCLINE TOUTE RESPONSABILITÉ EN CE QUI CONCERNE LES DOMMAGES DIRECTS, INDIRECTS OU AUTRES, Y COMPRIS, MAIS SANS S’Y LIMITER, LES FRAIS DE RETOUR DE PRODUITS HOMELITE CONSUMER PRODUCTS À UN ENTRETENIR LE CENTRE DE RÉPARATIONS HOMELITE AGRÉÉ ET DE RENVOI AU PROPRIÉTAIRE, DE DÉPLACEMENT D’UN TECHNICIEN, DE TÉLÉPHONE OU TÉLÉGRAMME, DE LOCATION D’UN PRODUIT SIMILAIRE PENDANT LA DURÉE DES RÉPARATIONS SOUS GARANTIE, DE DÉPLACEMENT, DE PERTES OU DOMMAGES À DES BIENS PERSONNELS, DE MANQUE À GAGNER, DE PERTE D’USAGE DU PRODUIT, DE PERTE DE TEMPS OU DE DÉRANGEMENT. CERTAINS ÉTATS N’AUTORISANT PAS L’EXCLUSION OU LA LIMITATION DES DOMMAGES DIRECTS OU INDIRECTS, LES LIMITATIONS ET EXCLUSIONS CI-DESSOUS PEUVENT DONC NE PAS S’APPLIQUER À TOUS LES CAS.

Cette garantie donne au consommateur des droits spécifiques, et celui-ci peut bénéficier d’autres droits, qui varient selon les états ou provinces.

Cette garantie couvre tous produit la rondelle de pression de marque HOMELITE distribué par Homelite Consumer Products, Inc., et vendus aux États-Unis, Mexique, et au Canada.

Pour obtenir l’adresse du centre de réparations Homelite agréé le plus proche, appeler le 1-800-242-4672 ou visiter notre site Internet à l’adresse www.homelite.com.

GARANTIE

DÉCLARATION DE GARANTIE DES SYSTÈMES ANTIPOLLUTION DU GOUVERNEMENT DES ÉTATS-UNIS ET DE L'ÉTAT DE LA CALIFORNIE

VOS DROITS ET RESPONSABILITÉS EN VERTU DE CETTE GARANTIE

Le California Air Resources Board (CARB), l'U.S. Environmental Protection Agency (EPA) et CHONGQING RATO POWER CO., LTD se font ici le plaisir de vous expliquer la GARANTIE DU SYSTÈME ANTIPOLLUTION de votre nouveau petit moteur hors route. Tout nouveau petit moteur hors route doit être conçu, construit et équipé conformément aux strictes réglementations antipollution de l'État de Californie et du gouvernement des États-Unis. CHONGQING RATO POWER CO., LTD garantit le système antipollution de votre moteur pour la période indiquée ci-dessous, à condition que ce dernier n'ait pas subi un usage abusif, de la négligence, une modification non approuvée ou un mauvais d'entretien. Votre système antipollution peut inclure des pièces telles que le carburateur, le système d'allumage, le système d'admission et le système d'échappement. Dans l'éventualité d'un problème couvert par la garantie, CHONGQING RATO POWER CO., LTD s'engage à réparer gratuitement votre moteur, ce qui comprend le diagnostic, les pièces et la main-d'œuvre.

DURÉE DE LA GARANTIE DU FABRICANT SUR LE SYSTÈME ANTIPOLLUTION :

Les systèmes antipollution des moteurs des modèles 1997 et ultérieurs sont garantis pour une période de deux ans comme indiqué ci-après. Si, au cours de cette période de garantie, l'un ou l'autre des composants ou des systèmes liés aux émissions présente un vice de matériau ou de fabrication, la réparation ou le remplacement du composant ou du système sera effectué par un centre de service agréé des produits CHONGQING RATO POWER CO., LTD.

RESPONSABILITÉS DE L'ACHETEUR OU DU PROPRIÉTAIRE AU REGARD DE LA GARANTIE :

En tant qu'acheteur ou propriétaire de ce petit moteur hors route, vous êtes tenu d'effectuer les séquences d'entretien indiquées dans le manuel du propriétaire fourni par le fabricant. Aux fins de la garantie, CHONGQING RATO POWER CO., LTD recommande de conserver tous les reçus d'entretien du moteur. Toutefois, CHONGQING RATO POWER CO., LTD ne peut pas refuser la couverture de la garantie pour l'unique raison du manque de reçus ou parce que vous avez omis d'effectuer toutes les séquences d'entretien prévues.

Toutefois, en tant qu'acheteur ou propriétaire de ce petit moteur hors route, vous devez savoir que CHONGQING RATO POWER CO., LTD peut nier toute responsabilité et toute obligation de sa part tel que stipulé dans la garantie si la défaillance de ce moteur ou d'une de ses pièces est due à un usage abusif, à la négligence, à un mauvais entretien, à des modifications non approuvées ou encore, à l'utilisation de pièces contrefaites ou provenant du « marché gris » et qui n'ont pas été fabriquées, fournies ou approuvées par CHONGQING RATO POWER CO., LTD.

Vous êtes tenu de confier votre moteur à un centre agréé de service de la garantie de CHONGQING RATO POWER CO., LTD dès qu'un problème se présente. Les réparations sous garantie seront effectuées dans un délai raisonnable, ne dépassant pas 30 jours.

Pour fixer un rendez-vous d'entretien sous garantie, veuillez communiquer avec le détaillant ou un centre agréé de service de la garantie de CHONGQING RATO POWER CO., LTD. Pour obtenir l'adresse du centre agréé de service de la garantie de CHONGQING RATO POWER CO., LTD le plus près, composez le 1-800-520-0882.

AVIS IMPORTANT : Cette déclaration de garantie explique vos droits et vos obligations au titre de la garantie du système antipollution, qui vous est fournie par CHONGQING RATO POWER CO., LTD en vertu des lois fédérales et de l'État de la Californie. Consultez également la section intitulée « Garanties limitées de CHONGQING RATO POWER CO., LTD. », jointe au présent document sur une feuille distincte et qui est également fournie par CHONGQING RATO POWER CO., LTD. La garantie du système antipollution s'applique uniquement au système antipollution de votre nouveau moteur. En cas de conflit entre la garantie du système antipollution et la garantie de CHONGQING RATO POWER CO., LTD, la garantie du système antipollution s'applique, sauf dans les circonstances où la période de la garantie de CHONGQING RATO POWER CO., LTD est plus longue. Ces deux garanties mentionnent des obligations et des droits importants pour l'acheteur d'un nouveau moteur.

L'entretien sous garantie doit uniquement être confié à un centre agréé de service de la garantie de CHONGQING RATO POWER CO., LTD. Au moment de demander un entretien sous garantie, il est nécessaire de fournir une preuve de la date de vente à l'acheteur ou au propriétaire d'origine. L'acheteur ou le propriétaire doit assumer toutes les dépenses ou tous les autres frais liés aux appels au service des réparations ou au transport du produit en direction ou en provenance du centre d'inspection ou de réparations. L'acheteur ou le propriétaire est également responsable de toutes les pertes ou de tous les dommages subis pendant le transport ou l'expédition du moteur aux fins d'inspection ou de réparations sous garantie.

POUR TOUTE QUESTION CONCERNANT VOS DROITS ET VOS RESPONSABILITÉS AU TITRE DE LA GARANTIE, VEUILLEZ COMMUNIQUER AVEC CHONGQING RATO POWER CO., LTD AU NUMÉRO SUIVANT : 1-800-520-0882.

II. GARANTIE DU SYSTÈME ANTIPOLLUTION

Garantie du système antipollution applicable aux moteurs des modèles 1997 et ultérieurs :

(a) Applicabilité : Cette garantie s'applique aux moteurs des modèles 1997 et ultérieurs. La période de la garantie du système antipollution commence à la date d'achat ou de livraison du nouveau moteur ou du nouvel appareil à l'acheteur (et utilisateur) final ou au propriétaire d'origine et continue pendant les 24 mois suivants.

(b) Couverture générale de la garantie du système antipollution : CHONGQING RATO POWER CO., LTD garantit au propriétaire ou à l'acheteur (et utilisateur) final d'origine du nouveau moteur ou du nouvel appareil ainsi qu'à tous les acheteurs ou propriétaires subséquents que ce moteur est : la période de la garantie du système antipollution, ferait en sorte que des pièces liées aux émissions et couvertes par la garantie ne seraient pas matériellement identiques en tous points à celles décrites dans la demande de certification du fabricant du moteur.

La garantie du système antipollution s'applique uniquement aux pièces liées aux émissions de votre moteur, tel que présenté ici :

- (1) Toutes les pièces liées aux émissions et couvertes par une garantie qui ne doivent pas être remplacées aux fins d'entretien selon le manuel d'utilisation sont garanties pendant la période de la garantie du système antipollution. Si une de ces pièces s'avère défectueuse pendant la période de couverture de la garantie du système antipollution, elle sera réparée ou remplacée par CHONGQING RATO POWER CO., LTD, conformément à la sous-section (4) ci-dessous. Toute pièce de ce genre réparée ou remplacée dans le cadre de la garantie du système antipollution est garantie pour le restant de la période de ladite garantie.
- (2) Toutes les pièces liées aux émissions et couvertes par une garantie qui doivent uniquement subir une inspection périodique selon le manuel d'utilisation sont garanties pendant la période de la garantie du système antipollution. Un énoncé stipulant « réparez ou remplacez au besoin » ne réduirait pas la période de couverture de la garantie du système antipollution. Toute pièce de ce genre réparée ou remplacée dans le cadre de la garantie du système antipollution est garantie pour le restant de la période de ladite garantie.
- (3) Toutes les pièces liées aux émissions et couvertes par une garantie qui doivent être remplacées conformément au calendrier d'entretien selon le manuel d'utilisation sont garanties pour la période de temps précédant le premier remplacement prévu pour cette pièce. Si la pièce s'avère défectueuse avant le premier remplacement, elle sera réparée ou remplacée par CHONGQING RATO POWER CO., LTD, conformément à la sous-section (4) ci-dessous. Toute pièce de ce genre réparée ou remplacée dans le cadre de la garantie du système antipollution est garantie pour le restant de la période de ladite garantie qui précède la première échéance de remplacement.
- (4) La réparation ou le remplacement de toutes les pièces liées aux émissions et couvertes par la garantie du système antipollution doivent être effectués sans frais par un centre de service agréé des produits CHONGQING RATO POWER CO., LTD.
- (5) Lorsque le moteur est inspecté dans un centre agréé de service de la garantie de CHONGQING RATO POWER CO., LTD, le propriétaire ne peut être tenu responsable des coûts du diagnostic si l'on estime que la réparation en question est couverte par la garantie.
- (6) CHONGQING RATO POWER CO., LTD est responsable des dommages causés à d'autres composants d'origine du moteur ou à des modifications approuvées à proximité provoqués par une défaillance de toutes pièces liées aux émissions couvertes par la garantie du système antipollution.
- (7) Pendant la période de la garantie du système antipollution, CHONGQING RATO POWER CO., LTD assurera l'approvisionnement des pièces liées aux émissions couvertes par la garantie afin de répondre à la demande.
- (8) Toute pièce liée aux émissions autorisée et approuvée pour le remplacement par CHONGQING RATO POWER CO., LTD peut être utilisée pour tout entretien ou réparation sous garantie, et être fournie à l'acheteur ou au propriétaire sans frais. Cela ne réduit en aucune façon les obligations de CHONGQING RATO POWER CO., LTD en vertu de la garantie du système antipollution.
- (9) Les pièces supplémentaires, modifiées, contrefaites ou provenant du « marché gris » sont non approuvées et ne doivent pas être utilisées pour modifier ou réparer un moteur CHONGQING RATO POWER CO., LTD. Un tel usage annule la garantie du système antipollution et peut justifier le refus d'une réclamation au titre de la garantie. En vertu du présent document, CHONGQING RATO POWER CO., LTD ne peut être tenu responsable de la défaillance de l'une ou l'autre des pièces du moteur couvertes par la garantie causée par des pièces supplémentaires, modifiées, contrefaites ou provenant du « marché gris », qui sont non approuvées.

PARMI LES PIÈCES LIÉES AUX ÉMISSIONS, ON RETROUVE :

- 1) Système de dosage de carburant :
 - a) Ensemble carburateur à essence et ses composants internes
 - b) Filtre à essence (le cas échéant)
 - c) Joints statiques du carburateur
 - d) Pompe à essence (le cas échéant)
- 2) Système d'admission d'air, notamment :
 - a) Tuyau/tubulure d'admission
 - b) Purificateur d'air
- 3) Système d'allumage, notamment :
 - a) Bougie d'allumage
 - b) Module/bobine d'allumage
- 4) Ensemble silencieux catalytique (le cas échéant), notamment :
 - a) Joint statique du silencieux
 - b) Tubulure d'échappement
- 5) Pièces diverses, notamment :
 - a) Tuyaux flexibles, courroies et connecteurs.

INSTRUCCIONES IMPORTANTES DE SEGURIDAD



ADVERTENCIA:

Lea y comprenda todas las instrucciones. El incumplimiento de todas las instrucciones siguientes puede causar descargas eléctricas, incendio o intoxicación por monóxido de carbono, lo cual puede causar la muerte o lesiones graves.

LEA TODAS LAS INSTRUCCIONES




- **Familiarícese con la herramienta.** Lea cuidadosamente el manual del operador. Aprenda los usos y limitaciones de la máquina, así como los posibles peligros específicos de esta herramienta.
- **Mantenga las protecciones en su lugar** y en buenas condiciones de trabajo. Nunca utilice la herramienta con ninguna de las protecciones o cubiertas quitadas. Asegúrese de que todas las protecciones estén funcionando de forma correcta antes de utilizar la unidad.
- **Retire toda llave y herramienta de ajuste.** Adquiera el hábito de verificar que se haya retirado de la herramienta eléctrica toda llave y herramienta de ajuste antes de encenderla.
- **Para reducir el riesgo de lesiones,** mantenga a alejados a niños y demás circunstantes. Todos los presentes deben llevar puestos anteojos de seguridad y permanecer a una distancia segura del área de trabajo.
- **Mantenga alejadas del área de trabajo a todas las personas,** particularmente a los niños de corta edad, y también a las mascotas.
- **No haga funcionar el motor en un espacio confinado** donde se puedan recolectar las emanaciones de monóxido de carbono. El monóxido de carbono, un gas incoloro, inodoro y sumamente peligroso, puede causar la pérdida de la conciencia o la muerte.
- **Use la herramienta adecuada a la tarea.** No fuerce la herramienta ni ningún accesorio a efectuar tareas para las que no están hechos. No la use para propósitos no indicados en las instrucciones.
- **Vístase adecuadamente.** No vista ropas, guantes, corbatas o joyas holgadas. Pueden resultar atrapadas y tirar de usted hacia piezas en movimiento. Se recomiendan guantes y calzado antiderrapantes al trabajar al aire libre. Si tiene el pelo largo cúbrase de alguna manera para contenerlo.
- **No accione el equipo cuando esté descalzo o al llevar puestas sandalias o calzado liviano similar.** Use calzado de seguridad que le proteja sus pies y mejore su postura en superficies resbaladizas.
- **Tenga suma precaución para evitar resbalarse o caer.**
- **Siempre póngase protección ocular con protección lateral con la marca de cumplimiento de la norma ANSI Z87.1.** Con el cumplimiento de esta regla se reduce el riesgo de lesiones corporales serias.
- **No se estire ni se pare en un soporte inestable.** Mantenga una postura firme y buen equilibrio en todo momento.
- **Utilice sólo accesorios recomendados.** El empleo de accesorios inadecuados puede presentar riesgos de lesiones.
- **Siga las instrucciones de la mantenimiento especificadas en este manual.**
- **Inspeccione las piezas dañadas.** Antes de seguir utilizando la herramienta, es necesario inspeccionar cuidadosamente toda protección o pieza dañada para determinar si funcionará correctamente y desempeñará la función a la que está destinada. Verifique la alineación de las partes móviles, que no haya atoramiento de las mismas, que no haya piezas rotas, el montaje de las piezas y cualquier otra condición que pudiera afectar su funcionamiento. Toda protección o pieza que esté dañada debe repararse apropiadamente o reemplazarse en un centro de servicio autorizado.
- **Nunca deje desatendida ninguna herramienta en funcionamiento. Apague la herramienta.** No se aleje de la herramienta hasta no verla completamente detenida.
- **Conserve el motor limpio de césped, hojas o grasa** a fin de reducir el riesgo de incendio.
- **Mantenga el tubo de escape libre de objetos extraños.**
- **Siga las recomendaciones del fabricante para lograr la carga, descarga, transporte y almacenamiento seguros de la máquina.**
- **Familiarícese completamente con los controles.** Aprenda a detener la máquina y a liberar rápidamente la presión.
- **Mantenga la herramienta seca, limpia y libre de aceite y grasa.** Siempre utilice un paño limpio para la limpieza de la unidad. Nunca utilice fluidos para frenos, gasolina, productos a base de petróleo ni solventes para limpiar la herramienta.
- **Permanezca alerta y en control.** Preste atención a lo que esté haciendo y aplique el sentido común. No utilice la herramienta cuando esté cansado. No se apresure.
- **No utilice la unidad si se encuentra bajo los efectos de drogas, alcohol o medicamentos.**
- **Revise el área de trabajo cada vez antes de utilizar esta herramienta.** Retire todos los objetos como piedras, vidrio roto, clavos, alambre o cuerda que puedan salir disparados o enredarse en la máquina.
- **No utilice la herramienta si el interruptor no apaga.** Lleve todo interruptor defectuoso a un centro de servicio autorizado para que lo reparen.
- **Antes de limpiar, reparar o inspeccionar la máquina,** apague el motor y cerciórese de que se hayan detenido todas las partes en movimiento. Desconecte el cable de la bujía, y mantenga dicho cable alejado de la bujía para evitar el arranque accidental de la unidad.
- **Evite tener un entorno de trabajo peligroso.** No utilice herramientas eléctricas en lugares húmedos o mojados ni las exponga a la lluvia. Mantenga bien iluminada el área de trabajo.
- **Nunca utilice la unidad en una atmósfera explosiva.** El chispeo normal del motor podría encender los gases presentes.
- **No utilice la unidad mientras fuma ni cerca de llamas abiertas.**
- **No utilice la unidad cerca de vegetación o ramas secas,** paños de textiles ni otros materiales inflamables.
- **ADVERTENCIA: Riesgo de inyección o de lesión** – No dirija el chorro hacia las personas.

REGLAS DE SEGURIDAD ESPECÍFICAS








- **Los usuarios del producto que se encuentren en el área de Servicio forestal de Estados Unidos y en ciertos estados deben cumplir con las normas de prevención de incendios.** Este producto no está equipado con un parachispas; no obstante, pueden aplicarse otras normas para el usuario. Verifique con las autoridades federales, estatales o locales. Antes de poner en funcionamiento el motor en cualquier área regulada por el Servicio forestal de Estados Unidos, debe instalarse un parachispas.
- **Nunca dirija un chorro de agua en dirección de personas o animales, ni hacia dispositivos eléctricos.**
- **Antes de iniciar cualquier operación de limpieza,** cierre puertas y ventanas. Despeje el área a limpiar y elimine cualesquier desechos, juguetes, muebles de patio u otros objetos que pudiesen crear un peligro.
- **Nunca alce ni transporte una máquina mientras se encuentre en marcha.**
- **Nunca ponga en marcha la máquina** si se ha formado hielo en cualquier parte del equipo.
- **No use soluciones ácidas, alcalinas, solventes, materiales inflamables o de grado industrial** en este producto. Estos productos pueden causar lesiones físicas al operador y daños irreparables a la máquina.
- **Siempre ponga en marcha la máquina** en superficies niveladas. Si el motor se encuentra inclinado, podría agarrotarse debido a la lubricación insuficiente (incluso con el nivel de aceite al máximo).
- **ADVERTENCIA: Los chorros de alta presión pueden ser peligrosos si se utilizan indebidamente.** Nunca dirija el chorro a personas, animales, dispositivos eléctricos ni a la máquina misma.
- **Nunca intente efectuar ajuste alguno mientras el motor está en marcha** (excepto cuando así lo recomiende específicamente el fabricante).
- **Cuando el motor esté en marcha, es imperativo que las cubiertas de protección cubran las partes en movimiento.**
- **Mantenga la entrada de aire de enfriamiento** (el área del arrancador retráctil) y el lado del silenciador alejados un mínimo de 91 cm (tres pies) de cualquier edificación, obstrucciones y otros objetos combustibles.
- **Mantenga alejado el motor de materiales inflamables y de otros materiales peligrosos.**
- **Evite el contacto con las partes calientes de la unidad.** El silenciador y otras partes del motor se calientan mucho; tenga precaución.
- **No toque la bujía ni el cable de ignición** durante el arranque ni durante el funcionamiento del motor.
- **Cada vez antes de usar la unidad, inspeccione las mangueras de combustible y los acoplamientos pertinentes** para verificar que no estén flojos ni haya derrames de combustible.
- **Antes de cada uso, inspeccione los pernos y las tuercas** para verificar que están apretados. Una tuerca o perno sueltos pueden causar problemas graves en el motor.
- **Siempre reabastezca el combustible al aire libre.** Nunca reabastezca el combustible en espacios interiores ni en áreas con ventilación insuficiente.
- **Nunca guarde la máquina con combustible en el tanque dentro de un edificio** donde haya presentes fuentes de ignición, como el agua caliente y calentadores locales, secadoras de ropa y cosas parecidas.
- **Si es necesario vaciar el tanque de combustible, hágalo al aire libre.**
- **Para reducir el riesgo de incendio o de lesiones por quemadura,** maneje con cuidado el combustible. Es sumamente inflamable.
- **No fume mientras esté mezclando el combustible o reabasteciendo el tanque.**
- **Reabastezca de combustible la unidad antes de arrancar el motor.** Nunca retire la tapa del tanque de combustible ni lo reabastezca mientras esté encendida o caliente la unidad.
- **Afloje la tapa del tanque de combustible lentamente** para aliviar la presión y evitar que se escape combustible por la tapa.
- **Vuelva a colocar firmemente la tapa del tanque de combustible y la del recipiente.**
- **Limpie todo el combustible que se haya derramado de la unidad.** Aléjese por lo menos 9 metros (30 pies) del sitio de reabastecimiento de combustible antes de encender el motor.
- **Si se derrama combustible,** no intente arrancar el motor; aleje la máquina del área del derramamiento y evite causar una fuente de ignición hasta que se disipen los vapores del combustible.
- **Nunca intente en ninguna circunstancia eliminar el combustible derramado quemándolo.**
- **Antes de guardar la unidad deje que se entrie el motor.**
- **Guarde la unidad en un lugar frío y bien ventilado,** a una distancia segura de todo equipo generador de chispas o llamas.
- **Guarde el combustible en recipientes diseñados específicamente para tal fin.**
- **Antes de transportar la unidad en un vehículo, vacíe el tanque de combustible e inmovilícela.**
- **Al dar servicio a la unidad, sólo utilice piezas de repuesto idénticas.** El empleo de piezas diferentes puede causar un peligro o dañar el producto.
- **Use SOLAMENTE agua fría.**
- **Asegúrese de que haya una distancia mínima de 91 cm (tres pies) de todo material combustible.**
- **Nunca rocíe tierra a la superficie** para ser limpiado como usted puede dañar la superficie.
- **Luego de detener el motor, siempre presione el gatillo en el mango del gatillo para liberar la presión almacenada en la manguera de alta presión.** La inobservancia de esta advertencia puede causar lesiones serias.
- **Asegúrese de que la manguera de alta presión esté conectada adecuadamente antes de usar el producto.**
- **Guarde estas instrucciones.** Consúltelas frecuentemente y utilícelas para instruir a otros usuarios. Si presta a alguien esta herramienta, facilítele también las instrucciones.

SÍMBOLOS

Las siguientes palabras de señalización y sus significados tienen el objeto de explicar los niveles de riesgo relacionados con este producto.



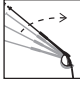


SÍMBOLO	SEÑAL	SIGNIFICADO
	PELIGRO:	Indica una situación peligrosa inminente, la cual, si no se evita, causará la muerte o lesiones serias.
	ADVERTENCIA:	Indica una situación peligrosa posible, la cual, si no se evita, podría causar la muerte o lesiones serias.
	PRECAUCIÓN:	Indica una situación potencialmente peligrosa la cual, si no se evita, puede causar lesiones leves o moderadas.
	PRECAUCIÓN:	(Sin el símbolo de alerta de seguridad) Indica una situación que puede producir daños materiales.

Es posible que se empleen en esta producto algunos de los siguientes símbolos. Le suplicamos estudiarlos y aprender su significado. Una correcta interpretación de estos símbolos le permitirá utilizar mejor y de manera más segura la producto.

SÍMBOLO	NOMBRE	DENOMINACIÓN/EXPLICACIÓN
	Alerta de seguridad	Indica un peligro posible de lesiones personales.
	Lea manual del operador	Para reducir el riesgo de lesiones, el usuario debe leer y comprender el manual del operador antes de usar este producto.
	Protección ocular	Siempre póngase protección ocular con protección lateral con la marca de cumplimiento de la norma ANSI Z87.1.
	Alerta de condiciones húmedas	No exponga la unidad a la lluvia ni la use en lugares húmedos.
	Superficie caliente	Para reducir el riesgo de lesiones corporales o daños materiales evite tocar toda superficie caliente.
	Riesgo de inyecciones	Para reducir el riesgo de una inyección o lesión, nunca dirija un chorro de agua hacia personas o mascotas ni ponga ninguna parte del cuerpo en el chorro. Las fugas presentes en mangueras y acopladores también pueden causar lesiones por inyección. No sujete ninguna manguera ni acoplador.
	Riesgo de explosión	El combustible y los vapores del mismo son explosivos y pueden causar quemaduras graves e incluso la muerte.

SÍMBOLOS

Es posible que se empleen en esta producto algunos de los siguientes símbolos. Le suplicamos estudiarlos y aprender su significado. Una correcta interpretación de estos símbolos le permitirá utilizar mejor y de manera más segura la producto.

SÍMBOLO	NOMBRE	DENOMINACIÓN/EXPLICACIÓN
	Riesgo de incendio	El combustible y los vapores del mismo son extremadamente inflamables y explosivos. El fuego puede causar quemaduras graves e incluso la muerte.
	Emanaciones tóxicas	Los aparatos de gasolina emiten monóxido de carbono, un gas tóxico incoloro e inodoro. Si se inhala monóxido de carbono puede causarse náusea, desmayo o la muerte.
	Contragolpe	Para reducir el riesgo de lesiones por un contragolpe, sujete firmemente el tubo rociador con ambas manos cuando esté encendida la máquina.
	Descarga eléctrica	Si no se usa la unidad en condiciones secas y no se observan prácticas seguras de trabajo, puede producirse una descarga eléctrica.
	Quemaduras químicas	Para reducir el riesgo de lesiones o daños físicos, NO USE SOLUCIONES ÁCIDAS, ALCALINAS, BLANQUEADORES, SOLVENTES, MATERIALES INFLAMABLES O DE GRADO INDUSTRIAL en este producto.

ADVERTENCIA:

Este producto y las emanaciones provenientes del escape del motor de este producto puede contener sustancias químicas (por ejemplo, plomo) reconocidas por el estado de California como causantes de cáncer, defectos congénitos y otras afecciones del aparato reproductor. Lávese las manos después de utilizar el aparato.

CARACTERÍSTICAS

ESPECIFICACIONES DEL PRODUCTO

Motor	179cc OHV
Capacidad del tanque de combustible	3,6 litros (0,96 gal)
Capacidad de aceite	0,6 litros (20,3 oz.)
Presión máxima*	17 927 kPa (2 600 psi)
Flujo máximo*	8,7 LPM (2,3 gpm)
Temperatura máxima de agua de cala	40 °C (104 °F)

*Máximo que valora determinado por el estándar de PWMA 101, cuándo probado con boquilla roja

FAMILIARÍCESE CON LA LAVADORA DE PRESIÓN

Vea la figura 1.

Para usar este producto con la debida seguridad se debe comprender la información indicada en la herramienta misma y en este manual, y se debe comprender también el trabajo que intenta realizar. Antes de usar este producto, familiarícese con todas las características de funcionamiento y normas de seguridad del mismo.

179 cc OHV MOTOR

Este motor de 179cc OHV permite a la lavadora a presión alcanzar 17 927 kPa (2 600 psi) a una velocidad de 8,7 LPM (2,3 gpm). Lea el manual del motor incluido con este producto.

INTERRUPTOR DEL MOTOR

El interruptor del motor se utiliza en combinación con el mango del arrancador retráctil para arrancar del motor. Además se utiliza para apagar del motor.

TANQUE DE COMBUSTIBLE

Este tanque de combustible tiene una capacidad de 1,8 litros (0,48 gal). Use gasolina sin plomo para vehículos.

ESCUADRA DE SOPORTE PARA ALMACENAMIENTO

Una vez que la manguera de alta presión esté enrollada, cuélguela en el gancho ubicado al costado del mango. Use la tira de gancho y lazada para asegurar el mango en su lugar.

ARRANCADOR RETRÁCTIL

Con un tirón del arrancador retráctil se arranca el motor.

BOQUILLA PARA JABÓN

La boquilla negra para jabón se utiliza para aplicar detergente sólo a baja presión.

SUPRESOR DE CHISPAS

Este motor no está equipado de fábrica con un supresor de chispas. En algunas áreas es ilegal el operar un motor sin supresor de chispas. Hay disponible un supresor de chispas llame al departamento de atención al consumidor y le brindaremos asistencia.

VÁLVULA DE SEGURIDAD TÉRMICA

Este dispositivo de la bomba evita que la temperatura del agua alcance un nivel peligroso; para ello, deja salir una pequeña cantidad de agua por una manguera de caucho. Una vez salida el agua, la válvula de seguridad térmica se reinicializa automáticamente.

MANGO DEL GATILLO

El mango del gatillo dispone de una superficie de sujeción ranurada la cual proporciona control adicional de dicho tubo y reduce la fatiga del operador.

GATILLO CON SEGURO

Al tirar del gatillo sale un chorro de agua para limpiar con alta presión. El seguro ofrece protección contra todo uso no autorizado.

ARMADO

DESEMPAQUETADO

Este producto requiere armarse.

- Extraiga cuidadosamente de la caja la herramienta y los accesorios. Asegúrese de que estén presentes todos los artículos enumerados en la lista de empaquetado.

NOTA: Esta herramienta es pesada. Para evitar sufrir lesiones en la columna, levante con las piernas, no con la espalda, y obtenga ayuda cuando sea necesario.



ADVERTENCIA:

No utilice este producto si alguna pieza incluida en la lista de empaquetado ya está ensamblada al producto cuando lo desempaqueta. El fabricante no ensambla las piezas de esta lista en el producto. Éstas deben ser instaladas por el usuario. El uso de un producto que puede haber sido ensamblado de forma inadecuada podría causar lesiones personales graves.

ARMADO

- Inspeccione cuidadosamente la herramienta para asegurarse de que no haya sufrido ninguna rotura o daño durante el transporte.
- No deseche el material de empaquetado hasta que haya inspeccionado cuidadosamente la herramienta y la haya utilizado satisfactoriamente.
- Si hay piezas dañadas o faltantes, le suplicamos llamar al 1-800-242-4672, donde le brindaremos asistencia.

LISTA DE EMPAQUETADO

Lavadora de presión
Manguera de alta presión de 7,6 m (25 pies)
Mango del gatillo
Tubo rociador
Boquilla de conexión rápida (4)
Manguera de inyección
Filtro de inyección transparente superior
Soporte para el tubo rociador inferior
Support de la lance d'arrosage
Tuerca de seguridad
M8 10mm perno
M8 13 mm tuerca de brida
Lubricante para motor de 4 tiempos (SAE 30 y SAE 10W30)
Eje (2)
Pasador del enganche (2)
Rueda (2)
Arandela (2)
Mango
Manual del operador

HERRAMIENTAS NECESARIAS

Vea la figura 1a.

13 mm clé à douilles (9/16 pulg.)

10 mm casquillo (7/16 pulg.)



ADVERTENCIA:

Si hay piezas dañadas o faltantes, no utilice esta herramienta sin haber reemplazado todas las piezas. Usar este producto con partes dañadas o faltantes puede causar lesiones serias al operador.



ADVERTENCIA:

No intente modificar esta herramienta ni hacer accesorios no recomendados para la misma. Cualquier alteración o modificación constituye maltrato, el cual puede causar una condición peligrosa, y como consecuencia posibles lesiones serias.



ADVERTENCIA:

Para evitar un arranque accidental que podría causar lesiones corporales graves, siempre desconecte el cable de la bujía del motor de la bujía misma al ensamblar las piezas.

MONTAJE DEL CONJUNTO DE LAS RUEDAS

Vea la figura 2.

- Localice el eje, los pasadores de enganche, arandela y las ruedas.
- Deslice pase el eje a través del agujero situado en el centro de la rueda.
- Deslice la arandela a través del eje.
- Levante la máquina y introduzca el conjunto del eje, la rueda y la arandela en el agujero de montaje de la rueda situado en la base de la máquina, como se muestra.
- Empuje el pasador de enganche hacia adentro del agujero del extremo del eje para asegurar el conjunto de las ruedas.
NOTA: Debe introducirse el pasador de enganche en el eje hasta que el centro de aquél descansa en la parte superior de éste.
- Repita el proceso con la segunda rueda.

INSTALACIÓN DEL MANGO

Vea la figura 3.

Presione y sostenga el botón de seguridad en el armazón a medida que desliza el mango sobre el armazón.

NOTA: Tire del mango hacia arriba hasta que el botón de aseguramiento pase a través de la ranuras correspondiente y asegure el mango en su lugar.

INSTALACIÓN DEL SOPORTE PARA EL TUBO ROCIADOR SUPERIOR Y INFERIOR

Vea la figura 4.

- Alinee el soporte superior del tubo rociador con los agujeros del mango tal como se indica.
- Deslice el lado más largo del soporte del tubo rociador a través del mango y ajústelo firmemente con una contratuerca.
- Coloque el soporte para el tubo rociador inferior sobre los agujeros.
- Alinee el perno con los agujeros e insértelo a través de estos.
- Sujete la brida de la tuerca con una llave de tuerca de 13 mm y la cabeza del perno con una llave de tubo de 10 mm. Apriete el perno hasta que esté ajustado.

ARMADO DE MANGO DEL GATILLO

Vea la figura 5.

- Coloque el extremo del tubo de roscado en el conector del extremo el mango del gatillo.
- Gire a la derecha el conector hasta que se detenga. De esta manera se asegura en su lugar el tubo de rociado.

CÓMO CONECTAR LA MANGUERA DE ALTA PRESIÓN AL MANGO DEL GATILLO

Vea la figura 6.

- Enrosque el casquillo de la manguera de alta presión en el acoplador de entrada el mango del gatillo; para ello, gire a la derecha el casquillo de la manguera.
- Tire de la manguera para asegurarse de que esté debidamente asegurada.

ARMADO

CÓMO CONECTAR LA MANGUERA DE INYECCIÓN

Vea la figura 7.

Para poder utilizar detergente con esta máquina debe estar conectada la manguera de inyección.

- Coloque el filtro de la manguera de inyección en el extremo de la manguera (si es que no viene instalado).
- Coloque firmemente el extremo abierto de la parte despejada de la manguera de inyección en el adaptador.

NOTA: Mantenga flexible d'injection lejos de superficies calientes.

CÓMO CONECTAR LA MANGUERA DE ALTA PRESIÓN A LA BOMBA

Vea la figura 8.

Después de desenrollar la manguera de presión y de conectarla al mango del gatillo:

- Alinee el casquillo con la conexión roscada de la bomba.
- Coloque el extremo del casquillo de la manguera de alta presión en la conexión roscada.
- Gire a la derecha el casquillo y fije firmemente la manguera a la bomba.
- Tire de la manguera para asegurarse de que esté debidamente asegurada.

CÓMO CONECTAR UNA MANGUERA DE JARDÍN A LA LAVADORA DE PRESIÓN

Vea la figura 9.

PRECAUCIÓN:

Siempre observe las normas locales cuando conecte las mangueras a la tubería principal de agua. En algunas áreas existen restricciones para la conexión directa al suministro público de agua potable a fin de evitar la retroalimentación de químicos al suministro de agua potable. La conexión directa a través de un tanque receptor o de una válvula contra reflujo suele estar permitida.

El suministro de agua debe venir de la tubería principal de agua. NUNCA use agua caliente o agua de piscinas, lagos, etc. Antes de conectar una manguera de jardín a la lavadora de presión:

- Deje correr agua por la manguera durante 30 segundos para limpiar toda la basura que pueda haber en el interior de la misma.
- Inspeccione el cedazo de la entrada de agua.
- Si está dañado el cedazo, no utilice la máquina sino hasta haber reemplazado aquél.
- Si está sucio el cedazo, límpielo antes de conectar la manguera de jardín a la máquina.

Para conectar una manguera de jardín a la máquina:

- Desenrolle la manguera de jardín.
NOTA: Debe haber un mínimo de 3 metros (10 pies) de manguera sin ninguna restricción en el flujo de la misma, entre la entrada de la lavadora de presión y el grifo o válvula de cierre (como un conector de cierre en "Y").
- Teniendo el grifo de la manguera completamente cerrado, conecte el extremo de la manguera de jardín a la entrada de agua. Efectúe el apriete con la mano.

PRECAUCIÓN:

No accione la bomba de la lavadora de presión sin que el suministro de agua esté conectado y abierto; de lo contrario, se pueden dañar los sellos de alta presión y se puede acortar la vida útil de la bomba. Desenrolle la manguera de su riel o bobina por completo y asegúrese de que ninguna rueda, piedra o cualquier otro objeto no pise la manguera, ya que puede disminuir o impedir el paso del agua a la lavadora de presión.

FUNCIONAMIENTO

ADVERTENCIA:

No permita que su familiarización con las herramientas lo vuelva descuidado. Tenga presente que un descuido de un instante es suficiente para causar una lesión grave.

ADVERTENCIA:

Siempre póngase protección ocular con protección lateral con la marca de cumplimiento de la norma ANSI Z87.1. Si no cumple esta advertencia, los objetos que salen despedidos pueden producirle lesiones serias en los ojos.

ADVERTENCIA:

No utilice ningún aditamento o accesorio no recomendado por el fabricante de esta herramienta. El empleo de aditamentos o accesorios no recomendados podría causar lesiones serias.

ADVERTENCIA:

Nunca dirija un chorro de agua en dirección de personas o animales, ni hacia dispositivos eléctricos. La inobservancia de esta advertencia podría causar lesiones serias.

FUNCIONAMIENTO

USOS

Esta herramienta puede emplearse para los fines enumerados abajo:

- Retire la suciedad y el moho de las terrazas, patios de cemento y revestimientos de paredes
- Para limpiar vehículos, barcos deportivos, motocicletas, muebles para el exterior y parrillas para asar

ABASTECIMIENTO Y VERIFICACIÓN DE LUBRICANTE

Ve la figura 10.

NOTA: Esta máquina se embarcó con cerca de dos onzas de lubricante de las pruebas en el motor. **Es necesario abastecer de lubricante el motor antes de arrancarlo por primera vez.**

PRECAUCIÓN:

Cualquier intento de arrancar el motor sin abastecerlo de lubricante puede causar la descompostura del mismo.

Para añadir lubricante para motor:

- Coloque la lavadora de presión sobre una superficie horizontal nivelada.
- Desenrosque la tapa del aceite con varilla de nivel; para ello, gírela a la izquierda.
- Vierta el lubricante para motor de cuatro tiempos (SAE 30 y SAE 10W30) y llene el depósito hasta el nivel superior del cuello del filtro de aceite (se suministran 18 onzas de lubricante para motor de cuatro tiempos).
- Vuelva a colocar la tapa del aceite con varilla de nivel y apriétela firmemente.

NOTA: Este motor tiene una capacidad de lubricante de 0,6 litros (20,3 onzas).

Para verificar el nivel de lubricante para motor:

- Coloque la lavadora de presión sobre una superficie plana.
- Limpie la varilla de nivel y vuelva a asentarla en el agujero; no la enrosque.
- Retire de nuevo la varilla medidora de lubricante y verifique el nivel de lubricante. El nivel de aceite siempre debe estar dentro del área cubierta con rayas entrecruzadas de la varilla medidora.
- Si está bajo el nivel, abastezca de lubricante el motor hasta que el nivel del fluido alcance la parte superior del área cubierta con rayas entrecruzadas de la varilla.
- Vuelva a colocar la tapa de relleno de aceite/varilla medidora de aceite y asegúrela.

PRECAUCIÓN:

No lo llene excesivamente. Llenar excesivamente el cárter puede producir humo en exceso y daños en el motor.

COMBUSTIBLES OXIGENADOS

NO USE COMBUSTIBLE E85. ANULARÁ SU GARANTÍA.

NOTA: No están cubiertos en la garantía los problemas de desempeño o daños al sistema de combustible producidos por el uso de un combustible oxigenado con un contenido superior a los porcentajes de alcohol o compuesto de éter señalados abajo.

Etanol. Las gasolinas con un contenido de 10% de etanol por volumen (comunmente conocida como E10) es aceptables. La E85 no lo es.

ABASTECIMIENTO DEL TANQUE DE GASOLINA

Ve la figura 11.

ADVERTENCIA:

La gasolina y los vapores de la misma son extremadamente inflamables y explosivos. Para evitar lesiones y daños físicos serios, maneje con cuidado la gasolina. Manténgala lejos de fuentes de ignición, manéjela solamente al aire libre, no fume mientras vierta la gasolina y limpie de inmediato cualquier derramamiento que ocurra.

Al abastecer de gasolina la lavadora de presión, asegúrese de que la unidad esté asentada en una superficie horizontal nivelada. Si está caliente el motor, permita que se enfríe la lavadora de presión antes de reabastecerla de gasolina. SIEMPRE llene el tanque al aire libre y teniendo apagada la máquina.

NOTA: Use sólo gasolina sin plomo. NO mezcle con lubricante la gasolina.

- Antes de retirar la tapa del combustible, limpie el área circundante de la unidad. Retire la tapa del combustible.
- Introduzca un embudo limpio en el tanque de combustible y después vierta lentamente la gasolina en el tanque. Llene el tanque hasta una altura aproximada de 38 mm (1-1/2 pulg.) abajo de la parte superior del cuello del tanque (para permitir la expansión del combustible).
- Vuelva a colocar la tapa del combustible y apriétela firmemente la tapa “déclic”.
- Limpie todo combustible derramado antes de encender la máquina.

LUBRICANTE PARA BOMBA

La bomba de la lavadora de presión fue abastecida con suficiente lubricante en la fábrica. No es necesario controlar la bomba o agregarle lubricante antes de su primer uso.

ENCENDIDO Y APAGADO DE LA LAVADORA DE PRESIÓN

Ve las figuras 12 a14.

PRECAUCIÓN:

No accione la bomba de la lavadora de presión sin que el suministro de agua esté conectado y abierto; de lo contrario, se pueden dañar los sellos de alta presión y se puede acortar la vida útil de la bomba. Desenrolle la manguera de su riel o bobina por completo y asegúrese de que ninguna rueda, piedra o cualquier otro objeto no pise la manguera, ya que puede disminuir o impedir el paso del agua a la lavadora de presión.

NOTA: Retire el tapón de cierre de la tubería de ventilación de la bomba antes de utilizarla.

Antes de arrancar el motor:

- Conecte todas las mangueras
- Revise todos los fluidos (lubricante y gasolina)
- Abra el grifo del agua y luego oprima gatillo para purgar la presión de aire; mantenga oprimido el gatillo hasta que aparezca un chorro de agua estable.

Para arrancar el motor:

- Ponga el válvula de combustible en la posición ON (MARCHA).

FUNCIONAMIENTO

- Mueva la palanca del anegador a la posición FRÍO (COLD START).
NOTA: Si el motor se ha calentado, deje la válvula del anegador en la posición de arranque en FRÍO (COLD START) Permita que el motor funcione durante 5 segundos, luego regrese la palanca del anegador a la posición FUNCIONAMIENTO (RUN).
- Coloque el interruptor del motor en la posición ON (MARCHA).
- Tire el mango del arrancador retráctil hasta que el motor arranque (6 veces como máximo).
NOTA: No permita que el mango vuelva rápido a su lugar luego de arrancar, colóquelo suavemente en su lugar original.

PRECAUCIÓN:

Si el motor no arranca luego de tirar del mango y la cuerda del arrancador, oprima el gatillo para liberar la presión del agua antes de intentar arrancar el motor nuevamente.

- Permita que el motor funcione durante 5 segundos, luego regrese la palanca del anegador a la posición FUNCIONAMIENTO (RUN).

Para apagar el motor:

- Ponga el interruptor del motor en la posición OFF (APAGADO).
- Oprima el gatillo para purgar el agua.

USO DEL MANGO DEL GATILLO

Vea la figura 15.

Para mayor control y seguridad, mantenga ambas manos en el mango de gatillo todo el tiempo.

- Para iniciar el chorro de agua, oprima y no suelte el gatillo.
- Para interrumpir el flujo del chorro de agua por la boquilla, suelte el gatillo.

Para accionar el seguro:

- Suba el seguro hasta dejarlo trabado en la ranura.

Para quitar el seguro:

- Baje el seguro a su posición original.

Para lograr la limpieza más eficaz, la boquilla rociadora debe estar de 203 a 610 mm (de 8 a 24 pulg.) de la superficie por limpiar. Si está demasiado cerca el chorro, puede dañar la superficie que está limpiándose.

SELECCIÓN DE LA BOQUILLA CORRECTA DE CONEXIÓN RÁPIDA PARA CADA TRABAJO

Vea las figuras 16.

Cada una de las boquillas tiene un patrón de rociado diferente. Antes de empezar cualquier trabajo de limpieza, determine cuál es la mejor boquilla para el trabajo. El siguiente cuadro ofrece algunas pautas generales para ayudarlo a elegir la mejor boquilla para la aplicación.

Boquilla	Aplicación
0° Rojo	Limpieza de puntos concentrados en áreas altas y difíciles de alcanzar <ul style="list-style-type: none"> • Eliminación de tierra seca proveniente de grandes equipos rurales, de construcción o de jardinería • Limpieza de alquitrán, pegamento o manchas persistentes de concreto • Limpieza de áreas elevadas • Eliminación de herrumbre del acero y de óxido del aluminio

25° Verde	Para usos generales o grandes superficies <ul style="list-style-type: none"> • Limpieza general de suciedad y tierra • Limpieza de techos, canalones y bajantes • Eliminación de manchas ligeras de moho • Eliminación de algas y bacterias acumuladas en piscinas • Enjuague de superficies en preparación para ser pintadas
40° Blanco	Para un ángulo amplio de enjuague <ul style="list-style-type: none"> • Limpieza y lavado ligeros • Lavado y enjuague de superficies pintadas y botes • Limpieza de techos, ventanas, patios y aceras
Detergente (negro)	Para todas las aplicaciones de detergente



ADVERTENCIA:

NUNCA cambie boquillas sin trabar el seguro de apagado en el mango de gatillo y NUNCA apunte el rociador hacia su cara o la de otros. La característica de conexión rápida contiene resortes pequeños que pueden expulsar la boquilla con cierta fuerza. La inobservancia de esta advertencia podría causar lesiones personales.

Con el casquillo de conexión rápida es fácil cambiar la boquilla.

Para conectar una boquilla al mango de gatillo:

- Apague la lavadora de presión y cierre el suministro de agua.
Oprima el gatillo para purgar el agua.
- Accione el seguro en el mango de gatillo; para ello, suba aquél hasta que se traben en la ranura.
- Tire del collar de conexión rápida.
- Introduzca la boquilla en su lugar en el tubo rociador.
- Empuje del collar adelante para que la boquilla quede correctamente asegurada. Asegúrese de que la boquilla esté asegurada.

Para desconectar la boquilla al mango de gatillo una vez comenzado el trabajo de limpieza:

- Apague la lavadora de presión y cierre el suministro de agua. Oprima el gatillo para purgar el agua.
- Accione el seguro en el mango de gatillo; para ello, suba aquél hasta que se traben en la ranura.
- Para quitar la boquilla, coloque la mano sobre ella y a continuación tire del collar de conexión rápida. Coloque la boquilla en el lugar donde se guardan éstas, en la parte superior de la máquina.

USO DE LA MANGUERA DE ALTA PRESIÓN

La manguera de alta presión tiene un revestimiento externo que la fortalece. Si el revestimiento externo se daña, se debe reemplazar la manguera inmediatamente. No use la manguera de alta presión si el revestimiento externo está dañado.

Para evitar que el revestimiento externo se dañe:

- Inspeccione la manguera antes de cada uso.
- Desenrosque y estire la manguera antes de usarla.
- Evite que la manguera de alta presión se retuerza.
- Mantenga la manguera alejada de superficies calientes y bordes filosos.

FUNCIONAMIENTO

- No arrastre la unidad cerca de la manguera de alta presión.
- Evite que otros objetos aplasten la manguera o que ésta se enrede con otros objetos.

LAVADO CON DETERGENTE

Vea la figura 17.

Use sólo detergentes diseñados para lavadoras de presión; los detergentes caseros, soluciones ácidas, alcalinas, blanqueadores, solventes, materiales inflamables o de grado industrial pueden dañar la bomba. Numerosos detergentes requieren mezclarse antes de usarse. Prepare la solución de limpieza de conformidad con las instrucciones de la botella correspondiente.

- Retire la tapa del contenedor de detergente y coloque el tubo de inyección de detergente con el filtro en el contenedor.
- Instale la boquilla detergente en el tubo rociador.
- Coloque la manguera de detergente en la recipiente del detergente.
- Rocíe el detergente en una superficie seca, con pasadas largas uniformes traslapadas. Para evitar la formación de franjas, no permita que seque el detergente en la superficie.

Para aplicar detergente:

Con la boquilla negra instalada en el tubo rociador y el motor apagado, sumerja la manguera y el filtro negro dentro del recipiente de detergente hasta que hagan tope.

Antes de apagar el motor:

- Coloque la manguera de inyección en un balde de agua limpia.

- Lávela internamente durante uno o dos minutos (expulse agua limpia por el tubo rociador).
- Apague el motor.

NOTA: Apagando el motor -- posición (O) del interruptor--, no se purga del sistema la presión interna. Oprima el gatillo para purgar el agua a presión.

ENJUAGADO CON LA LAVADORA DE PRESIÓN

- Apague la lavadora de presión y cierre el suministro de agua. Oprima el gatillo para purgar el agua.
- Accione el seguro el mango de gatillo; para ello, suba aquél hasta que se traben en la ranura.
- Retire la boquilla del casquillo tirando de la misma.
- Siempre utilice la boquilla adecuada a la tarea. Para seleccionar la boquilla adecuada, consulte la tabla que aparece en la página anterior.
- Comience por la parte superior por enjuagar y avance hacia abajo, traslapando cada pasada.

TRASLADO DE LA LAVADORA DE PRESIÓN

Vea la figura 18.

NOTA: Nunca alce o mueva este producto tomándolo por el mango móvil.

- Apague la lavadora de presión.
- Inclíne la máquina hacia usted hasta equilibrarla sobre las ruedas y después empújela a la posición deseada.

MANTENIMIENTO



ADVERTENCIA:

Al dar servicio a la unidad, sólo utilice piezas de repuesto idénticas. El empleo de piezas diferentes puede causar un peligro o dañar el producto.



ADVERTENCIA:

Siempre póngase protección ocular con protección lateral con la marca de cumplimiento de la norma ANSI Z87.1. Si no cumple esta advertencia, los objetos que salen despedidos pueden producirle lesiones serias en los ojos.



ADVERTENCIA:

Antes de inspeccionar, limpiar o dar servicio a la máquina, apague el motor, espere a que se detengan todas las piezas en movimiento, desconecte el cable de la bujía y aléjelo de ésta. El incumplimiento de cualquiera de estas instrucciones puede causar lesiones serias.

MANTENIMIENTO GENERAL

Evite el empleo de solventes al limpiar piezas de plástico. La mayoría de los plásticos son susceptibles a diferentes tipos de solventes comerciales y pueden resultar dañados. Utilice paños limpios para eliminar la suciedad, el polvo, el aceite, la grasa, etc.



ADVERTENCIA:

No permita en ningún momento que fluidos para frenos, gasolina, productos a base de petróleo, aceites penetrantes, etc., lleguen a tocar las piezas de plástico. Las sustancias químicas pueden dañar, debilitar o destruir el plástico, lo cual a su vez puede producir lesiones corporales serias.

Solamente las piezas mostradas en la lista de piezas pueden ser reparadas o cambiadas por el consumidor. Todas las piezas restantes deben ser reemplazadas en un centro de servicio autorizado.

Antes de encender el motor realice los siguientes pasos previos:

- Verifique que todos los pernos, tuercas, etc., estén firmemente apretados.

MANTENIMIENTO

- Asegúrese de que esté limpio el filtro.
- Revise tanto el nivel de lubricante del motor como el nivel del tanque de combustible; reabastézcalos según sea necesario.
- Inspeccione el área de trabajo para ver si hay peligros presentes.
- Si hay ruido o vibración excesivos, apague de inmediato la unidad.

MANTENIMIENTO DE LAS BOQUILLAS

La presión excesiva de la bomba (se siente una sensación de pulsación al estar oprimiendo el gatillo) puede deberse a que la boquilla está tapada o sucia.

- Apague la lavadora de presión y cierre el suministro de agua. Oprima el gatillo para purgar el agua.
- Retire la boquilla del tubo rociador.
NOTA: Nunca se apunte el tubo rociador a la cara.
- Para liberar la boquilla de las obstrucciones de cualquier material extraño, retire los residuos con una aguja fina.
- Con una manguera de jardín expulse de la boquilla toda la basura presente con un contraflujo (haciendo pasar hacia atrás agua por la boquilla, o sea del exterior hacia el interior).
- Vuelva a conectar la boquilla al tubo rociador.
- Abra el suministro de agua y arranque el motor.

LIMPIEZA DEL FILTRO DE AIRE

Vea la figura 19.

Un filtro sucio puede causar dificultades de arranque, pérdida de rendimiento y acortar la vida útil del motor. Inspeccione mensualmente el filtro de aire. Para lograr un desempeño óptimo de la unidad, reemplace el filtro de aire por lo menos una vez al año.

La tapa del filtro pivota hacia arriba y se levanta.

- Limpie con un paño húmedo la tapa del filtro de aire y la superficie interior. Trate de que no entre polvo al carburador.
- Retire el filtro de aire.
- Enjuague el filtro con agua limpia.
- Oprima suavemente el filtro hasta quitar el exceso de agua.
- Aplique una capa delgada de aceite de motor al elemento de filtro de espuma, luego escúrrala.
- Vuelva a colocar el filtro de espuma.
- Réinstalar le couvercle du filtre.

NOTA: Asegúrese de que el filtro esté asentado correctamente en el compartimiento. Si se instala de forma incorrecta el filtro el polvo entra en el motor y causa un rápido desgaste del mismo.

CAMBIO DEL LUBRICANTE DEL MOTOR

Vea la figura 20.

- Detenga el motor.
- Limpie el área alrededor de la tapa de llenado/varilla de aceite y luego retírelas.

Para purgar el lubricante del tapón de drenaje del aceite:

- Desconecte el cable de la bujía del motor.
- Drene el lubricante y retire el tornillo de cabeza hexagonal de la parte inferior del motor. Drene el lubricante dentro de un contenedor aprobado.

NOTA: Retire la varilla para permitir que el lubricante drene con más facilidad y rapidez.

- Cargue el lubricante siguiendo las instrucciones en **Agregar/verificar el lubricante del motor** mencionadas más arriba en este manual.
- Antes de utilizar la lavadora de presión, verifique y asegúrese de que no haya pérdidas en el motor del lubricante.

NOTA: El lubricante usado se debe desechar en un sitio aprobado. Para obtener más información, consulte con el minorista local de aceite.

MANTENIMIENTO DE LA BUJÍA

Vea la figura 21.

- Antes de extraer la bujía, limpie el área alrededor de la base de la bujía para que no ingresen polvo ni desechos al motor. Retire la bujía.
- Elimine los depósitos de carbón en el electrodo de la bujía con un limpiador de bujía o con un cepillo de alambre. Reemplace la bujía si está desgastada o su reutilización es dudosa. (Bujía recomendada: Champion RC12YC).
- Verifique la separación interelectrónica. La separación debe ser de 0,7 a 0,8 mm. De ser necesario, ajuste la separación doblando cuidadosamente el electrodo de conexión a tierra.
- Verifique la condición de la junta de la bujía.
- Vuelva a instalar la bujía. Asiente en su lugar la bujía y enrósquela con la mano y apriete con los dedos.
- Apriete con una llave para comprimir la arandela. Si la bujía es nueva, gírela 1/2 para comprimir la arandela de manera adecuada. Si está reutilizando una bujía vieja, gírela de 1/8 a 1/4 para comprimir la arandela de manera adecuada.
NOTA: Cuando se ajusta la bujía de manera incorrecta, se calienta mucho y puede dañar el motor.

MANTENIMIENTO DE LA BOMBA

Realice una inspección visual diaria de la bomba. Si advierte una pérdida de lubricante alrededor de los sellos de la bomba, lleve la lavadora de presión a un centro de servicio autorizado para que la repare.

La bomba de la lavadora de presión no contiene piezas que pueda reparar el usuario. Cualquier intento de realizar el mantenimiento de la bomba o de alterarla podrá dañar la lavadora de presión y anular la garantía del producto.

GUARDADO DE LA LAVADORA DE PRESIÓN

Vea la figura 22.

Guarde la lavadora de presión con el tanque de gasolina vacío; para ello, vacíe el tanque o mantenga encendida la máquina hasta agotar el combustible.

NOTA: Si usa la lavadora de presión hasta que se acaba la gasolina, asegúrese de que la máquina esté conectada al agua y que el agua esté ABIERTA.

Permita un período de enfriamiento de 30 minutos antes de guardar la máquina. Guarde la unidad en un lugar seco y cubierto, en el cual no pueda resultar dañada a la intemperie.

Es importante guardar este producto en un área protegida contra la congelación. Siempre vacíe todas las mangueras, la bomba, el tanque de combustible y el balde de detergente antes de guardar la unidad.

MANTENIMIENTO

NOTA: Si utiliza un estabilizador de combustible y un protector de bombas obtendrá un mejor desempeño de la bomba y aumentará la vida de servicio de la máquina.

Combustible:

Drene completamente el tanque de combustible. La gasolina puede echarse a perder en 30 días.

Lubricante del motor:

Drene el lubricante viejo y reemplácelo con lubricante nuevo limpio.

Bujía:

- Desconecte el cable de la bujía y retire ésta. Vierta cerca de una cucharada chica de lubricante limpio para motor de cuatro tiempos a través del agujero de la bujía, en el interior de la cámara de combustión.
- Teniendo la bujía afuera, tire de la cuerda del arrancador dos o tres veces para recubrir el interior de la pared del cilindro.
- Inspeccione la bujía y límpiela o reemplácela según sea necesario.
- Vuelva a instalar la bujía, pero deje desconectado el cable de la misma.

Filtro de aire:

Limpie el filtro de aire.

Cuerda del arrancador retráctil:

Extienda la cuerda del arrancador retráctil para controlar su condición. Si la cuerda está deshilachada, hágala cambiar de inmediato en un centro de servicio autorizado.

Mangueras y bomba:

Lave interiormente la manguera de inyección con agua limpia durante uno o dos minutos. Retire las mangueras. Vacíe la bomba; para ello, tire del arrancador retráctil seis veces aproximadamente. De esta manera se elimina de la bomba la mayoría del líquido.

Para preparar la unidad para el invierno y guardarla por períodos prolongados:

- Desconecte la conexión de agua de ser necesario.
- Desconecte el cable de la bujía del motor.
- Tire de la cuerda retráctil y arranque el motor varias veces para eliminar cualquier resto de agua que pueda haber quedado en la bomba.
- Encienda la lavadora de presión y déjela funcionando durante unos segundos para eliminar los restos de agua en la bomba.
- Enrolle las mangueras y colóquelas en la tira de gancho y lazada en el mango de la unidad. No permita que la manguera se retuerza.
- Guarde la unidad y los accesorios en un área que esté protegida contra las temperaturas bajo cero. No la guarde cerca de hornos u otras fuentes de calor que pueda secar los sellos de la bomba.

PRECAUCIÓN:

Se recomienda emplear un protector para la bomba para evitar daños por temperaturas bajas mientras la unidad está guardada en los meses de invierno.

PREPARACIÓN DE LA UNIDAD PARA USARLA DESPUÉS DE TENERLA GUARDADA

- Tire del arrancador retráctil tres o cuatro veces para limpiar el lubricante de la cámara de combustión.
- Retire la bujía del cilindro. Limpie el lubricante de la bujía y vuelva a ponerla en el cilindro.
- Vuelva a conectar el cable de la bujía.
- Reabastezca de combustible la máquina de la forma descrita anteriormente en el manual del operador.

TABLA DEL PROGRAMA PERIÓDICO DE MANTENIMIENTO

Artículos de mantenimiento	Cada uso	Cada 8 hrs.	Cada 20 hrs.	Cada 50 hrs.	Cada 100 hrs.	Cada 300 hrs.
Limpiar el motor e inspeccionar los pernos y las tuercas	X	X				
Inspeccionar el aceite para motor	X					
Cambiar el aceite para motor*			X			
Limpiar la bujía					X	
Limpiar el filtro de aire	X			X		
Reemplazar el elemento del filtro de aire				X		
Limpiar ajusta la bujía y los electrodos					X	
Cambiar la bujía					X	
Eliminar el carbón de la culata del cilindro**						X
Verificar y ajustar la holgura de la válvula**						X

* El primer cambio de aceite debe realizarse después de las primeras 20 horas de funcionamiento. No vierta el aceite usado por los drenajes del alcantarillado, en el jaardín ni en las corrientes de agua. Las normativas de zonificación y de protección ambiental en su localidad le proporcionarán instrucciones más detalladas sobre el desalojo y eliminación apropiados.

** Solicite ayuda al centro de servicio más cercano en su localidad

SOLUCIÓN DE PROBLEMAS

PROBLEMA	CAUSA	SOLUCIÓN
El motor no arranca	<p>No hay combustible en el tanque</p> <p>Falló o tiene corta la bujía</p> <p>Se rompió la bujía (se rajó la porcelana o se rompieron los electrodos)</p> <p>El cable de ignición tiene corto, está roto o desconectado de la bujía caso</p> <p>El sistema de ignición no funciona</p>	<p>Reabastezca el tanque</p> <p>Reemplace la bujía</p> <p>Reemplace la bujía</p> <p>Reemplace el cable de ignición o conéctelo a la bujía, según sea el</p> <p>Comuníquese con un centro de servicio autorizado</p>
Cuesta trabajo arrancar el motor	<p>Hay agua en la gasolina</p> <p>Está débil la chispa de la bujía</p>	<p>Drene todo el sistema y reabastézcalo con combustible nuevo</p> <p>Comuníquese con un centro de servicio autorizado</p>
Le falta potencia al motor	Está sucio el filtro de aire	Limpie o reemplace el filtro de aire
El detergente no está mezclándose en el rocío	<p>La manguera de inyección del detergente no está sumergida correctamente</p> <p>La boquilla de alta presión es la que está conectada</p>	<p>Introduzca la manguera de inyección en el recipiente o botella del detergente</p> <p>Para aplicar el detergente use la boquilla de baja presión (la negra)</p>
La bomba no genera presión	<p>La boquilla de baja presión es la que está instalada</p> <p>El suministro de agua es inadecuado</p> <p>Mango del gatillo o tubo de rociador</p> <p>Está tapada la boquilla</p> <p>Está defectuosa la bomba</p> <p>Aire en el conductor</p>	<p>Reemplácela por la boquilla de alta presión.</p> <p>Suministre un flujo de agua adecuado</p> <p>Verifique las conexiones y/o tiene fugas reemplace el mango del gatillo o tubo de rociador</p> <p>Limpie la boquilla</p> <p>Comuníquese con un centro de servicio autorizado.</p> <p>Oprima el gatillo el Mango del gatillo para eliminar el aire del conductor</p>
La máquina no alcanza presión alta	<p>Está demasiado pequeño el diámetro de la manguera de jardín</p> <p>Está restringido el suministro de agua</p> <p>No hay suficiente agua en la entrada</p> <p>Está puesta una boquilla equivocada</p>	<p>Reemplácela con una manguera de 19 mm (3/4 pulg)</p> <p>Revise la manguera de jardín para ver si tiene dobleces, fugas o bloqueos</p> <p>Abra el suministro de agua a toda su capacidad</p> <p>Instale la boquilla de alta presión</p>

GARANTÍA

DECLARACIÓN DE GARANTÍA LIMITADA NO APLICABLE AL MOTOR

Homelite Consumer Products, Inc., (“Homelite”) garantiza al comprador original al menudeo que este producto de arandela de presión de marca de HOMELITE carece de defectos en los materiales y mano de obra y acuerda reparar o reemplazar, a la sola discreción de Homelite cualquier producto defectuoso sin cargo alguno dentro del plazo establecido después de la fecha de compra.

- Dos años si el producto se emplea para uso personal, familiar o casero;
- 90 días, si alguno de los productos mencionados arriba se emplean para cualquier otro uso, como el uso comercial o alquiler.

Esta garantía se otorga solamente al comprador original al menudeo, y comienza en la fecha de la compra original al menudeo.

Cualquier pieza de este producto fabricada o suministrada por Homelite y que se encuentre, a juicio razonable de Homelite, defectuosa en materiales o mano de obra será reparada o reemplazada sin cobro de piezas ni mano de obra por parte de un centro de servicio autorizado Homelite.

El producto, incluida toda pieza defectuosa, debe enviarse a un centro de servicio autorizado Homelite dentro del período de la garantía. El costo de enviar el producto al establecimiento para cualquier trabajo cubierto por la garantía así como el gasto de devolverlo al propietario después de la reparación correrán por cuenta del propietario. La responsabilidad de Homelite con respecto a todo reclamo se limita a las reparaciones o remplazo del producto, y ningún reclamo de incumplimiento de la garantía será causante de la cancelación o rescisión del contrato de venta de ningún producto de marca HOMELITE. En el centro de servicio autorizado se requerirá el recibo de compra para respaldar cualquier reclamo al amparo de la garantía. Todo trabajo de garantía debe ser efectuado por un centro de servicio autorizado Homelite.

Esta garantía no cubre ningún producto e marca que haya estado sometido a uso indebido, maltrato, negligencia o accidente, o que haya sido utilizado de cualquier forma contraria a las instrucciones de manejo especificadas en el manual del operador del producto de marca. Esta garantía no cubre ningún daño sufrido por el producto de marca causado por un mantenimiento inadecuado, ni ningún producto los productos de marca que haya sido alterado o modificado de manera que haya resultado afectado desfavorablemente el funcionamiento, el desempeño o la durabilidad del producto, o haya cambiado el uso para el que fue diseñado. La garantía no cubre ninguna reparación necesaria por el desgaste normal ni por el uso de piezas o accesorios que sean incompatibles con el producto de arandela de presión de marca de HOMELITE, o afecten de forma desfavorable su funcionamiento, desempeño o durabilidad.

Además, esta garantía no cubre:

- A. Afinación – Filtros de aire, filtros de combustible, carburadores, bujías

- B. Componentes sujetos a desgaste – Manguera, accesorios conectores, boquillas de rociado, mango del gatillo, mango de rociado, ruedas, cubeta de detergente, tanque de productos químicos

Homelite se reserva el derecho de cambiar o mejorar el diseño de cualquier producto de arandela de presión de marca de HOMELITE sin asumir ninguna obligación de modificar ningún producto fabricado previamente.

TODAS LAS GARANTÍAS IMPLÍCITAS ESTÁN LIMITADAS EN DURACIÓN SEGÚN EL PERÍODO DE GARANTÍA DECLARADA. COMO CORRESPONDE, TODA GARANTÍA IMPLÍCITA, INCLUIDAS LAS DE COMERCIABILIDAD, IDONEIDAD PARA UN PROPÓSITO EN PARTICULAR, O DE CUALQUIER OTRO TIPO, SE DESCONOCE POR COMPLETO DESPUÉS DEL PERÍODO DE GARANTÍA CORRESPONDIENTE DE DOS AÑOS. DE CONFORMIDAD CON ESTA GARANTÍA, LA OBLIGACIÓN DE HOMELITE CONSUMER PRODUCTS, INC. SE LIMITA ESTRUCTIVA Y EXCLUSIVAMENTE A LA REPARACIÓN O REEMPLAZO DE LAS PIEZAS DEFECTUOSAS, Y HOMELITE CONSUMER PRODUCTS, INC. NO ASUME NINGUNA OTRA OBLIGACIÓN, NI AUTORIZA A NADIE ASUMIRLA A NOMBRE DE DICHA COMPAÑÍA. ALGUNOS ESTADOS NO PERMITEN LIMITACIONES EN CUANTO A LA DURACIÓN DE UNA GARANTÍA IMPLÍCITA, POR LO CUAL ES POSIBLE QUE LA LIMITACIÓN ANTERIOR NO SE APLIQUE EN SU CASO. HOMELITE CONSUMER PRODUCTS, INC., NO ASUME NINGUNA RESPONSABILIDAD POR DAÑOS INCIDENTES, CONSECUENTES, NI DE NINGÚN OTRO TIPO, COMO EL GASTO DE DEVOLVER EL PRODUCTO A UN CENTRO DE SERVICIO AUTORIZADO DE HOMELITE® Y LOS GASTOS PARA DEVOLVER DICHO PRODUCTO A SU PROPIETARIO RESPECTIVO, EL TIEMPO DE VIAJE DEL MECÁNICO, LLAMADAS TELEFÓNICAS O TELEGRAMAS, EL ALQUILER DE EQUIPOS SIMILARES DURANTE EL TIEMPO DE REALIZACIÓN DEL SERVICIO EN VIRTUD DE LA GARANTÍA, VIAJES, PÉRDIDAS O DAÑOS A ARTÍCULOS DE PROPIEDAD PERSONAL, PÉRDIDA DE INGRESOS, PÉRDIDA DE USO DEL PRODUCTO, PÉRDIDA DE TIEMPO, O INCONVENIENCIA; ALGUNOS ESTADOS NO PERMITEN LA EXCLUSIÓN NI LA LIMITACIÓN DE LOS DAÑOS DIRECTOS O INDIRECTOS, POR LO CUAL LA LIMITACIÓN O EXCLUSIÓN ANTERIOR QUIZÁS NO SE APLIQUE EN SU CASO.

Esta garantía le confiere derechos legales específicos, y es posible que usted goce de otros derechos, los cuales pueden variar de estado a estado.

Esta garantía se aplica a todos los productos de arandela de presión de marca de HOMELITE distribuido por Homelite Consumer Products, Inc. y vendidos en Estados Unidos, México, y Canadá.

Para localizar el establecimiento de servicio autorizado Homelite más cercano, llame al 1-800-242-4672, o visite nuestro sitio Web en www.homelite.com.

GARANTÍA

DECLARACIÓN DE GARANTÍA FEDERAL Y DEL ESTADO DE CALIFORNIA SOBRE EL CONTROL DE EMISIONES SUS DERECHOS Y OBLIGACIONES RELACIONADOS CON LA GARANTÍA

La Junta de Recursos del Aire de California (California Air Resources Board, CARB) y la Agencia de Protección Ambiental (Environmental Protection Agency, EPA) de los Estados Unidos, en forma conjunta con CHONGQING RATO POWER CO., LTD. tienen el agrado de explicarle la Garantía del Sistema de Control de Emisiones de su nuevo motor pequeño para vehículos todo terreno. Los nuevos motores pequeños para vehículos todo terreno deben ser diseñados, construidos y equipados para cumplir con las normas contra el smog más estrictas vigentes en el estado de California y a nivel del gobierno federal. CHONGQING RATO POWER CO., LTD. garantizará el sistema de control de emisiones de su motor durante los períodos especificados a continuación con la condición de que no se registren abusos, negligencias, modificaciones no aprobadas ni tareas de mantenimiento indebidas del motor.

Es posible que su sistema de control de emisiones incluya piezas como el carburador y los sistemas de encendido, admisión y escape. CHONGQING RATO POWER CO., LTD. reparará el motor sin costo alguno a su cargo por tareas de diagnóstico, cambio de repuestos y mano de obra en caso de registrarse una situación que esté cubierta por la garantía.

COBERTURA DE LA GARANTÍA DEL SISTEMA DE CONTROL DE EMISIONES DEL FABRICANTE:

Los sistemas de control de emisiones de los motores modelo 1997 y posteriores cuentan con una garantía de dos años tal como se establece a continuación en el presente documento. Si durante dicho período de garantía, se descubre algún defecto de materiales o mano de obra en cualquier componente o sistema relacionado con el control de emisiones de su motor, las reparaciones o los cambios de repuestos serán ejecutados por el Centro de Servicio Técnico de Garantía Autorizado de CHONGQING RATO POWER CO., LTD.

RESPONSABILIDADES DEL COMPRADOR/PROPIETARIO RELACIONADAS CON LA GARANTÍA:

Como comprador/propietario del motor pequeño para vehículos todo terreno, usted es responsable de realizar todas las tareas de mantenimiento requeridas según lo enumerado en el Manual del propietario suministrado por la fábrica. A los efectos de la garantía, CHONGQING RATO POWER CO., LTD. le recomienda conservar todos los recibos que cubran las tareas de mantenimiento efectuadas en el motor. No obstante, CHONGQING RATO POWER CO., LTD. no puede negarle la garantía exclusivamente ante la ausencia de recibos o en caso de que usted no haya realizado todas las tareas de mantenimiento programadas.

Sin embargo, como comprador/propietario del motor pequeño para vehículos todo terreno, debe saber que CHONGQING RATO POWER CO., LTD. puede negarse a brindar la cobertura o la responsabilidad de garantía en forma parcial o total si la falla del motor, o de una pieza o componente del mismo, se debe a abuso, negligencia, mantenimiento indebido o modificaciones no aprobadas, o al uso de repuestos falsificados y/u obtenidos en el "mercado gris" no fabricados, suministrados ni aprobados por CHONGQING RATO POWER CO., LTD.

Usted asume la responsabilidad de entregar su motor al Centro de Servicio Técnico de Garantía Autorizado de CHONGQING RATO POWER CO., LTD. ni bien se registre un inconveniente. Las reparaciones de garantía deben completarse en un período de tiempo razonable que no exceda los 30 días.

El servicio de garantía puede disponerse mediante contacto directo con el concesionario o con un Centro de Servicio Técnico de Garantía Autorizado de CHONGQING RATO POWER CO., LTD. Llame al +1 800 520 0882 para encontrar el Centro de Servicio Técnico de Garantía Autorizado de CHONGQING RATO POWER CO., LTD. más cercano a su domicilio.

NOTA IMPORTANTE: Esta declaración de garantía le explica sus derechos y obligaciones conforme a la Garantía del Sistema de Control de Emisiones (Emission Control System, ECS), que le otorga CHONGQING RATO POWER CO., LTD. en conformidad con la legislación federal y del estado de California. Consulte también las "Garantías limitadas de CHONGQING RATO POWER CO., LTD.", que se adjuntan con el presente documento en una hoja aparte, también suministrada por CHONGQING RATO POWER CO., LTD. La Garantía del ECS se aplica exclusivamente al sistema de control de emisiones de su motor nuevo. En caso de surgir cualquier conflicto de términos entre la Garantía del ECS y la Garantía de CHONGQING RATO POWER CO., LTD., se aplicará la Garantía del ECS salvo en las circunstancias en que la Garantía de CHONGQING RATO POWER CO., LTD. ofreciera un período de garantía más prolongado. Tanto la Garantía del ECS como la Garantía de CHONGQING RATO POWER CO., LTD. describen importantes derechos y obligaciones con respecto a su motor nuevo.

El servicio de garantía solamente puede ser efectuado por un Centro de Servicio Técnico Autorizado de CHONGQING RATO POWER CO., LTD. Cuando se solicite un servicio de garantía, se deberá presentar evidencia que demuestre la fecha de la venta al comprador/propietario original. El comprador/propietario será responsable de cualquier gasto u otro cargo que deba abonarse por llamadas al servicio técnico y/o por el transporte del producto hacia/desde los centros de inspección o reparación. El comprador/propietario también será responsable por cualquier daño o pérdida (totales o parciales) registrados durante el transporte/embarque del motor por motivos de inspección o reparaciones de garantía.

SI TIENE ALGUNA PREGUNTA EN RELACIÓN CON SUS DERECHOS Y RESPONSABILIDADES RELACIONADOS CON LA GARANTÍA, DEBERÁ COMUNICARSE CON CHONGQING RATO POWER CO., LTD. llamando al +1 800 520 0882.

II. GARANTÍA DEL SISTEMA DE CONTROL DE EMISIONES

Garantía del Sistema de Control de Emisiones (Emission Control System, ECS) para motores modelo 1997 y posteriores:

(a) Aplicabilidad: Esta garantía se aplicará a motores modelo 1997 y posteriores. El Período de Garantía del ECS comenzará a regir a partir de la fecha en que se adquirió/entregó el nuevo motor o equipo a su comprador/propietario final original y mantendrá su vigencia durante los 24 meses consecutivos posteriores.

(b) Cobertura general de la garantía sobre el control de emisiones: CHONGQING RATO POWER CO., LTD. le garantiza al comprador/propietario final original del nuevo motor

o equipo, y a cada comprador/propietario subsiguiente, que cada uno de sus motores:

- (1) Está diseñado, construido y equipado de modo de cumplir con todas las regulaciones pertinentes adoptadas por la EPA y la CARB conforme a su autoridad respectiva, y
- (2) No presenta defecto alguno en materiales ni mano de obra que, en cualquier momento durante el Período de la Garantía del ECS, pudiera hacer que una pieza garantizada relacionada con el sistema de control de emisiones fallase a ser idéntica en todo término material a la pieza según se la describe en la solicitud de certificación del fabricante del motor.

La Garantía del ECS se aplica exclusivamente a las piezas relacionadas con el sistema de control de emisiones de su motor, a saber:

- (1) Toda pieza garantizada relacionada con el sistema de control de emisiones que no está programada para recambio según las tareas de mantenimiento requeridas del Manual del propietario contará con una garantía que se extenderá durante todo el Período de la Garantía del ECS. Si alguna de dichas piezas fallase durante el Período de la Garantía del ECS, será reparada o sustituida por CHONGQING RATO POWER CO., LTD. según lo establecido en la Subsección (4) que se incluye a continuación. Toda pieza reparada o sustituida conforme a la Garantía del ECS contará con garantía durante el remanente del Período de la Garantía del ECS.
- (2) Toda pieza garantizada relacionada con el sistema de control de emisiones con un cronograma exclusivo de inspección periódica según lo especificado en el Manual del propietario contará con una garantía que se extenderá durante todo el Período de la Garantía del ECS. Ninguna declaración incluida en tales instrucciones escritas en relación a la "reparación o sustitución según sea necesario" reducirá el Período de la Garantía del ECS. Toda pieza reparada o sustituida conforme a la Garantía del ECS contará con garantía durante el remanente del Período de la Garantía del ECS.
- (3) Toda pieza garantizada relacionada con el sistema de control de emisiones con un cronograma de recambio según lo establecido en las tareas de mantenimiento requeridas del Manual del propietario contará con una garantía que se extenderá durante el período de tiempo anterior al primer punto de recambio programado para dicha pieza. Si la pieza fallase antes del primer recambio programado, será reparada o sustituida por CHONGQING RATO POWER CO., LTD. según lo establecido en la Subsección (4) que se incluye a continuación. Toda pieza relacionada con el sistema de control de emisiones que sea reparada o sustituida bajo la Garantía del ECS contará con una garantía durante el remanente del Período de la Garantía del ECS anterior al primer punto de recambio programado para dicha pieza.
- (4) La reparación o la sustitución de cualquier pieza garantizada relacionada con el sistema de control de emisiones bajo esta Garantía del ECS será efectuada sin cargo para el propietario en un Centro de Servicio Técnico de Garantía Autorizado de CHONGQING RATO POWER CO., LTD.
- (5) Cuando el motor sea inspeccionado por un Centro de Servicio Técnico de Garantía Autorizado de CHONGQING RATO POWER CO., LTD., el propietario no será responsable de los costos de las tareas de diagnóstico si la reparación se considerada cubierta por la garantía.
- (6) CHONGQING RATO POWER CO., LTD. asumirá la responsabilidad por daños en otros componentes originales del motor o modificaciones aproximadamente cercanas causadas por una falla cubierta por garantía de cualquier pieza relacionada con el sistema de control de emisiones cubierta por la Garantía del ECS.
- (7) Durante todo el Período de la Garantía del ECS, CHONGQING RATO POWER CO., LTD. conservará una cantidad suficiente de piezas garantizadas relacionadas con el sistema de control de emisiones para poder cumplir con la demanda esperada de dichos repuestos.
- (8) Toda pieza de repuesto relacionada con el sistema de control de emisiones autorizada y aprobada de CHONGQING RATO POWER CO., LTD. podrá ser usada en cualquier tarea de mantenimiento o reparación de la Garantía del ECS y será suministrada sin cargo al comprador/propietario. Tal uso no reduce las obligaciones de CHONGQING RATO POWER CO., LTD. respecto de la Garantía del ECS.
- (9) No se podrán utilizar piezas no aprobadas, agregadas, modificadas, falsificadas y/u obtenidas en el "mercado gris" para modificar o reparar ningún motor CHONGQING RATO POWER CO., LTD. El uso de tales piezas anulará esta Garantía del ECS y se considerará motivo suficiente para desestimar cualquier reclamo de Garantía del ECS. De conformidad con este documento, no se podrá responsabilizar a CHONGQING RATO POWER CO., LTD. por fallas de ninguna pieza garantizada de ningún motor CHONGQING RATO POWER CO., LTD. causadas por el uso de una pieza no aprobada, agregada, modificada, falsificada y/u obtenida en el "mercado gris".

ENTRE LAS PIEZAS RELACIONADAS CON EL SISTEMA DE CONTROL DE EMISIONES SE INCLUYEN LAS SIGUIENTES:

- 1) Sistema de medición del combustible:
 - a) Conjunto del carburador de gasolina y sus componentes internos.
 - b) Filtro de combustible (si hubiera)
 - c) Juntas del carburador
 - d) Bomba de combustible (si hubiera)
- 2) Sistema de inducción de aire, incluidos:
 - a) Tubo/distribuidor de admisión
 - b) Depurador de aire
- 3) Sistema de encendido, incluidos:
 - a) Bujía
 - b) Módulo/bobina de encendido
- 4) Conjunto del silenciador catalítico (si hubiera), incluidos:
 - a) Junta del silenciador
 - b) Distribuidor de escape
- 5) Varios, incluidos:
 - a) Mangueras, correas y conectores.



2600 PSI PRESSURE WASHER
NETTOYEUR HAUTE PRESSION DE 2 600 PSI
LAVADORA A PRESIÓN DE 2 600 PSI

UT80522 / UT80953

OPERATOR'S MANUAL

MANUEL D'UTILISATION

MANUAL DEL OPERADOR

WARNING:

The engine exhaust from this product contains chemicals known to the State of California to cause cancer, birth defects, or other reproductive harm.

CALIFORNIA PROPOSITION 65

AVERTISSEMENT :

Les gaz d'échappement de ce produit contiennent des produits chimiques identifiés par l'état de Californie comme causes de cancer, de malformations congénitales et d'autres troubles de l'appareil reproducteur.

PROPOSITION 65 DE L'ÉTAT DE CALIFORNIE

ADVERTENCIA:

Las emanaciones provenientes del escape del motor de este producto contienen sustancias químicas reconocidas por el estado de California como causantes de cáncer, defectos congénitos y otras afecciones del aparato reproductor.

CALIFORNIA - PROPUESTA DE LEY NÚM. 65

SERVICE

For parts or service, contact your nearest Homelite authorized service dealer. Be sure to provide all relevant information when you call or visit. For the location of the authorized service dealer nearest you, please call 1-800-242-4672 or visit us online at www.homelite.com.

REPAIR PARTS

The model number of this product is found on a plate or label attached to the housing. Please record the serial number in the space provided below.

MODEL NO. UT80522 / UT80953

SERIAL NO. _____

• • • • •

DÉPANNAGE

Pour tout entretien ou réparation du produit, contacter le centre de réparations Homelite agréé le plus proche. Veiller à fournir toutes les informations pertinentes lors de tout appel téléphonique ou visite. Pour obtenir l'adresse du centre de réparations agréé le plus proche, téléphoner au 1-800-242-4672, ou visiter notre site www.homelite.com.

PIÈCES DE RECHANGE

Le numéro de modèle se trouve sur une plaquette ou étiquette placée sur le bâti. Noter le numéro de série dans l'espace ci-dessous.

NUMÉRO DE MODÈLE UT80522 / UT80953

NUMÉRO DE SÉRIE _____

• • • • •

SERVICIO

Para obtener piezas o servicio, comuníquese con el centro de servicio autorizado de Homelite más cercano. Asegúrese de proporcionar todos los datos pertinentes al llamar o al presentarse personalmente. Para obtener información sobre el establecimiento de servicio autorizado más cercano a usted, le suplicamos llamar al 1-800-242-4672 o visitar nuestro sitio en la red mundial, en la dirección www.homelite.com.

PIEZAS DE REPUESTO

El número de modelo de este producto se encuentra en una placa o etiqueta pegada a la caja del motor. Le recomendamos anotar el número de serie en el espacio suministrado abajo.

NÚMERO DE MODELO UT80522 / UT80953

NÚMERO DE SERIE _____

HOMELITE CONSUMER PRODUCTS, INC.

1428 Pearman Dairy Road, Anderson, SC 29625

1-800-242-4672 • www.homelite.com