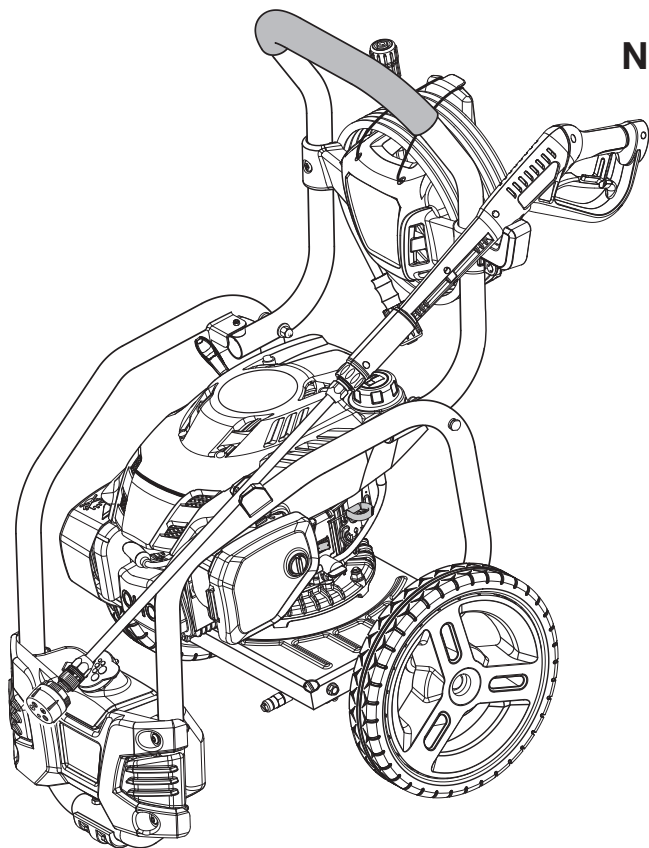


Homelite® OPERATOR'S MANUAL

MANUEL D'UTILISATION
MANUAL DEL OPERADOR

2700 PSI PRESSURE WASHER
NETTOYEUR HAUTE PRESSION DE 2 700 PSI
LAVADORA A PRESIÓN DE 2 700 PSI

UT80709
UT80911
All Models



To register your Homelite product, please visit:
<http://register.homelite.com/>

Pour enregistrer votre produit de Homelite, s'il vous plaît la visite:
<http://register.homelite.com/>

Para registrar su producto de Homelite, por favor visita:
<http://register.homelite.com/>

Your pressure washer has been engineered and manufactured to our high standard for dependability, ease of operation, and operator safety. When properly cared for, it will give you years of rugged, trouble-free performance.

⚠ WARNING: To reduce the risk of injury, the user must read and understand the operator's manual before using this product.

Thank you for your purchase.

SAVE THIS MANUAL FOR FUTURE REFERENCE

Ce nettoyeur haute pression a été conçu et fabriqué conformément aux strictes normes de fiabilité, simplicité d'emploi et sécurité d'utilisation. Correctement entretenu, il vous donnera des années de fonctionnement robuste et sans problème.

⚠ AVERTISSEMENT : Pour réduire les risques de blessures, l'utilisateur doit lire et veiller à bien comprendre le manuel d'utilisation avant d'utiliser ce produit.

Merci de votre achat.

**CONSERVER CE MANUEL POUR
FUTURE RÉFÉRENCE**

Su lavadora de presión ha sido diseñada y fabricada de conformidad con las estrictas normas para brindar fiabilidad, facilidad de uso y seguridad para el operador. Con el debido cuidado, le brindará muchos años de sólido y eficiente funcionamiento.

⚠ ADVERTENCIA: Para reducir el riesgo de lesiones, el usuario debe leer y comprender el manual del operador antes de usar este producto.

Le agradecemos su compra.

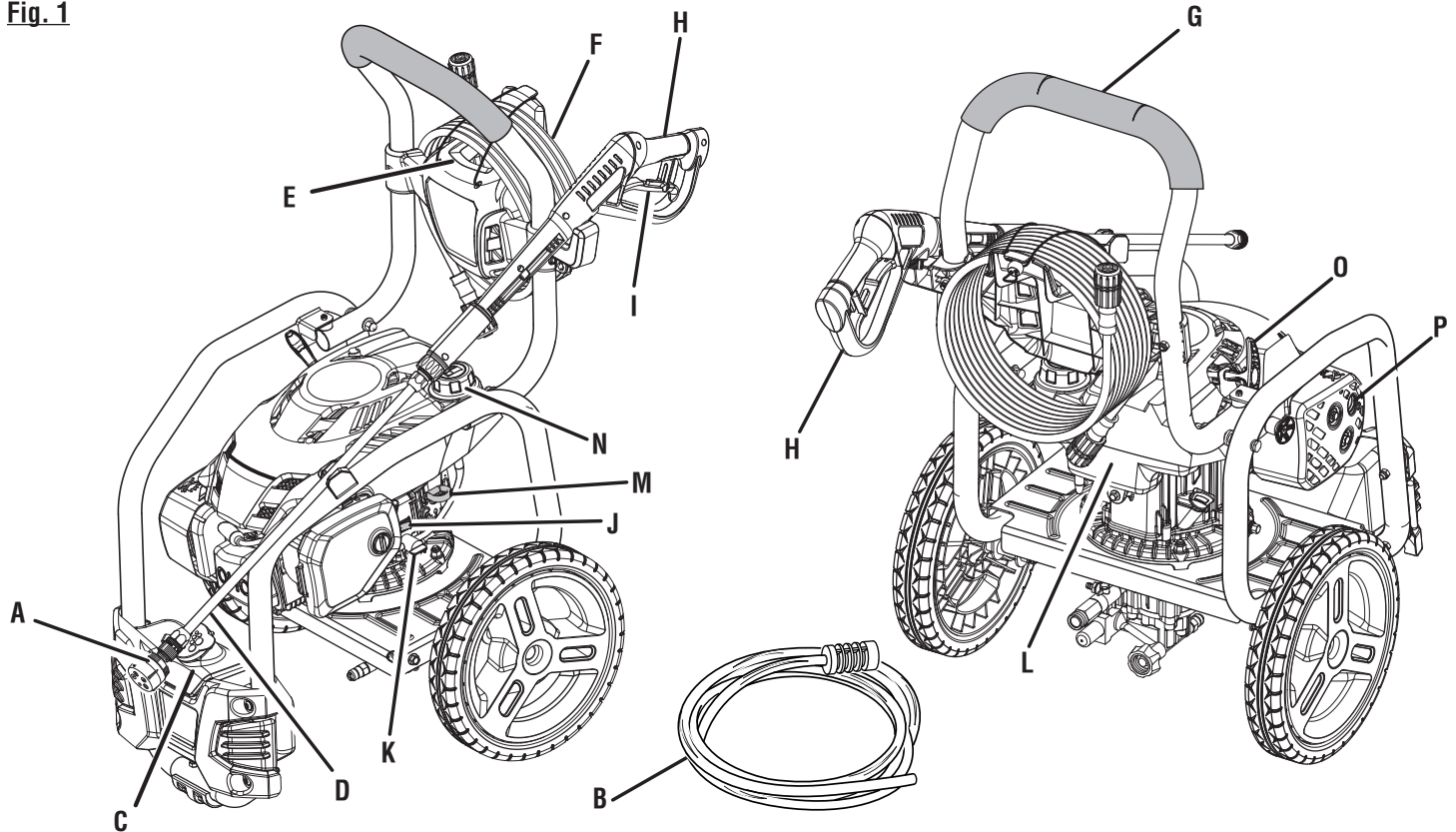
**GUARDE ESTE MANUAL PARA
FUTURAS CONSULTAS**

See this fold-out section for all of the figures referenced in the operator's manual.

Consulter l'encart à volets afin d'examiner toutes les figures mentionnées dans le manuel d'utilisation.

Consulte esta sección desplegable para ver todas las figuras a las que se hace referencia en el manual del operador.

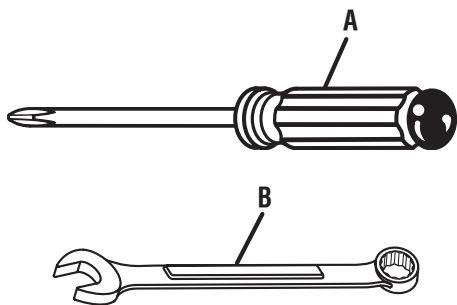
Fig. 1



- A - 5-in-1 Change Over Nozzle (buse à permutation 5 en 1, boquilla intercambiable 5 en 1)
- B - Injection hose with filter (flexible d'injection avec filtre, manguera de inyección avec filtre)
- C - Detergent tank (réservoir de détergent, tanque de detergente)
- D - Spray wand (lance de pulvérisation, tubo rociador)
- E - High pressure hose storage (rangement de la tuyau haute pression, almacenamiento del manguera de alta presión)
- F - High pressure hose (tuyau haute pression, manguera de alta presión)
- G - Handle (poignée, mango)
- H - Trigger handle (poignée à gâchette, mango del gatillo)

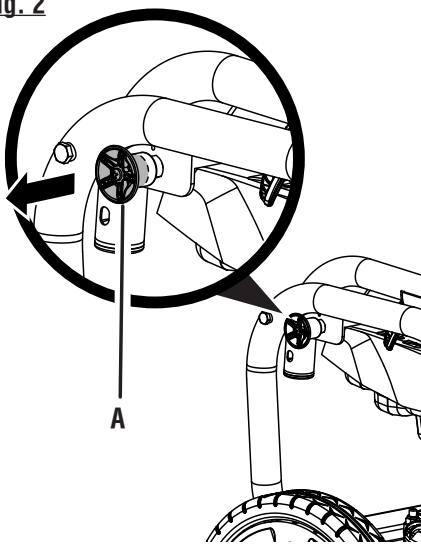
- I - Trigger with lock out (gâchette avec verrou, gatillo con seguro)
- J - On/off switch (commutateur marche / arrêt, interruptor de encendido/apagado)
- K - Fuel valve (robinet de carburant, válvula de combustible)
- L - Fuel tank (éservoir de carburant, tanque de combustible)
- M - Choke lever (levier d'étrangleur, palanca del anegador, palanca del anegador)
- N - Fuel cap (bouchon du réservoir, tapa del tanque de combustible)
- O - Starter grip with rope (poignée du lanceur avec corde, mango del arrancador con cuerda)
- P - Muffler (silencieux, silenciador)

Fig. 1a



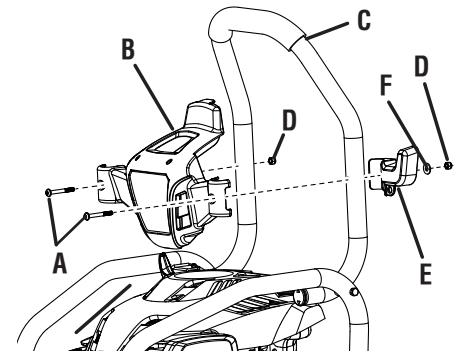
- A - Phillips screwdriver (tournevis phillips, destornillador phillips)
- B - Combination wrench (clé mixte, llave de combinación)

Fig. 2



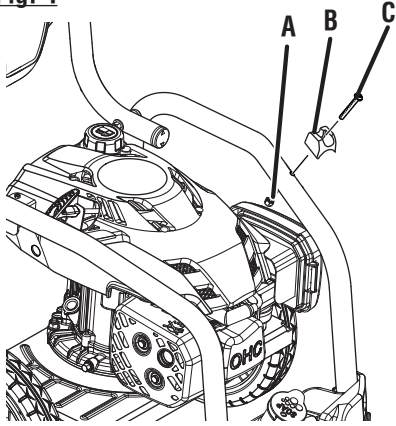
- A - Handle release knob (bouton de dégagement de la poignée, perilla de liberación del mango)

Fig. 3



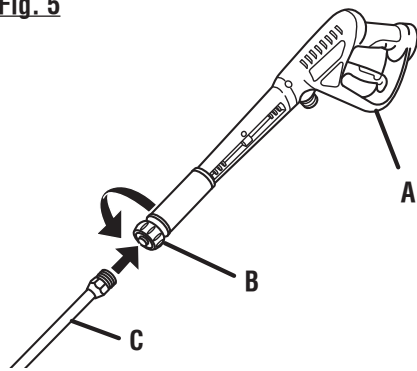
- A - Bolt (boulon, perno)
- B - Hose storage (entreposage de la tuyau, almacenamiento del manguera)
- C - Handle (guidon, mango)
- D - Hex nut (écrou hexagonal, tuerca hexagonal)
- E - Trigger handle holder (support de la poignée à gâchette, almacenamiento de mango del gatillo)
- F - Washer (rondelle, arandela)

Fig. 4



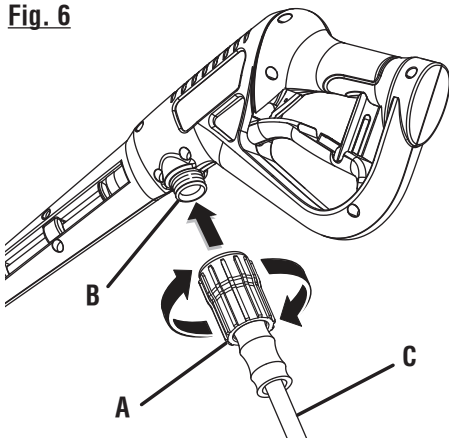
- A - Hex nut (écrou hexagonal, tuerca hexagonal)
- B - Spray wand holder (support de la lance d'arrosage, soporte del tubo rociador)
- C - Screw (vis, tornillo)

Fig. 5



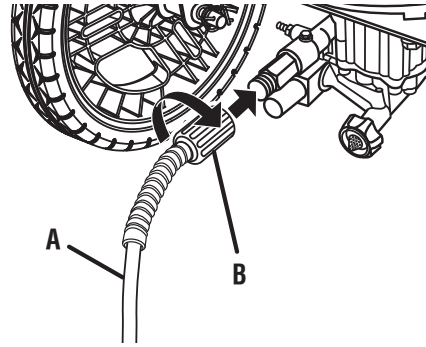
- A - Trigger handle (poignée à gâchette, mango del gatillo)
- B - Connector (connecteur, conector)
- C - Spray wand (lance de pulvérisation, tubo rociador)

Fig. 6



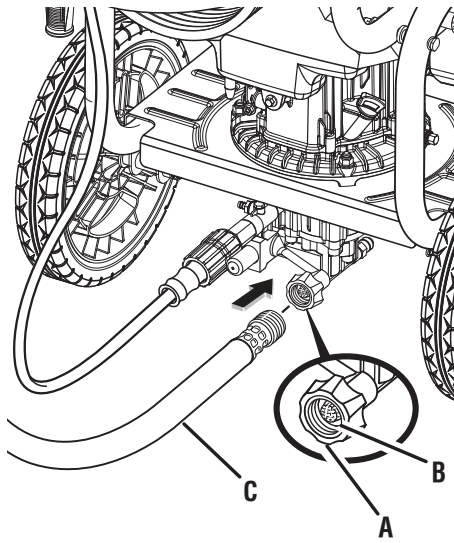
- A - Collar (collier, collar)
- B - Inlet coupler (raccord d'entrée, acoplador de entrada)
- C - High pressure hose (tuyau haute pression, manguera de alta presión)

Fig. 7



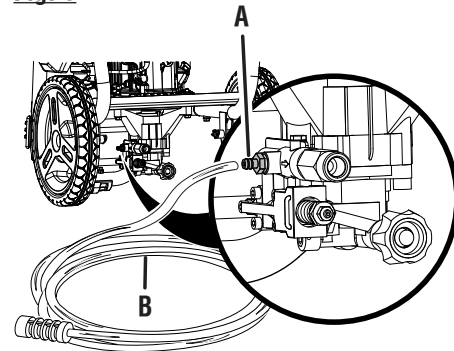
- A - High pressure hose (tuyau haute pression, manguera de alta presión)
- B - Collar (collier, collarín)

Fig. 8



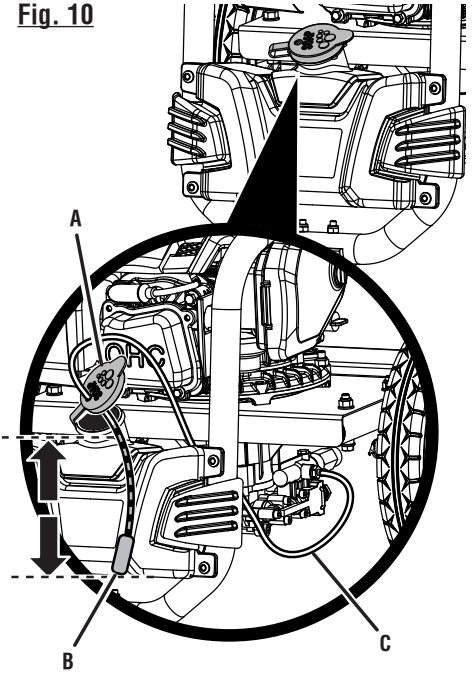
- A - Water intake (rise d'eau, entrada de agua)
- B - Screen (tamis, cedazo)
- C - Garden hose (tuyau d'arrosage, manguera de jardín)

Fig. 9



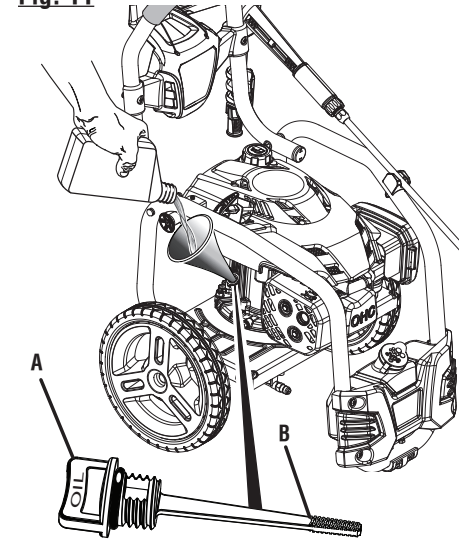
- A - Injection hose fitting (raccord du flexible d'injection, adaptador de la manguera de inyección)
- B - Injection hose (flexible d'injection, manguera de inyección)

Fig. 10



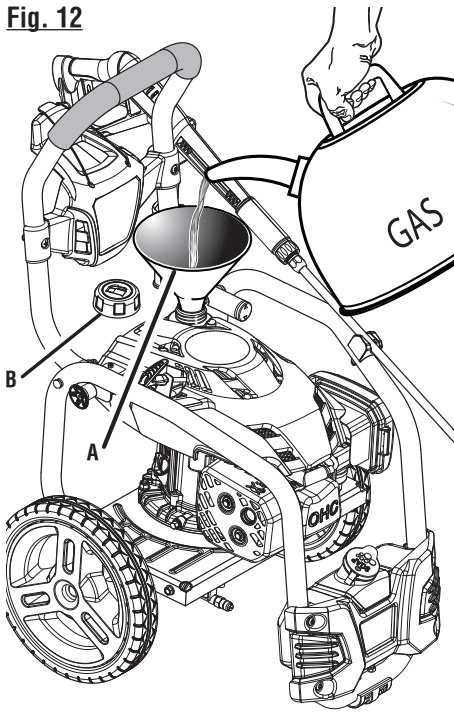
- A - Detergent tank cap (bouchon du réservoir de détergent, tapa del depósito de detergente)
- B - Filter (filtre, filtro)
- C - Injection hose (flexible d'injection, manguera de inyección)

Fig. 11



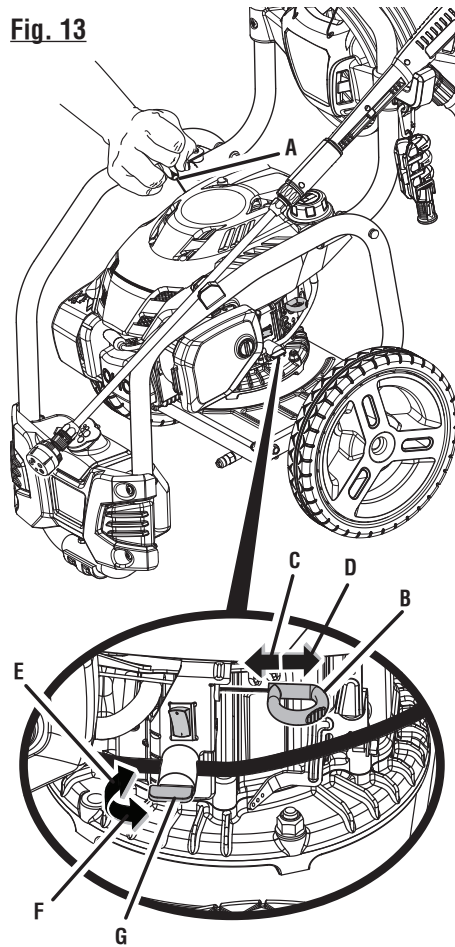
- A - Oil cap/dipstick (bouchon / jauge d'huile, tapa del aceite con varilla de nivel)
- B - Upper fill level (supérieur remplir le niveau nivel de carga superior)

Fig. 12



- A - Funnel (entonnoir, embudo)
- B - Fuel cap (bouchon de carburant, tapa del tanque de combustible)

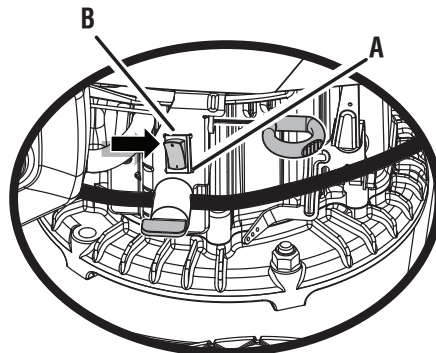
Fig. 13



- A - Recoil starter (lanceur à rappel, arrancador retráctil)
- B - Choke (volet de départ, anegador)
- C - Start (démarrage, arranque)
- D - Run (marche, marcha)
- E - On (marche, encendido)
- F - Off (d'arrêt, apagado)
- G - Fuel valve (robinet de carburant, válvula de combustible)

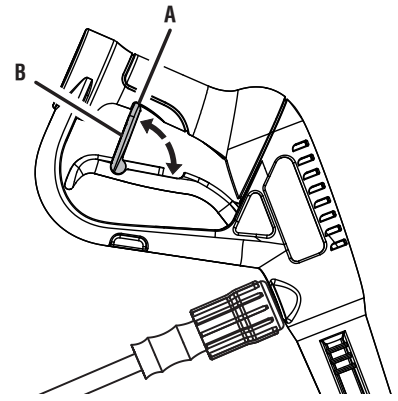
Fig. 14

**ON/OFF SWITCH
COMMUTATEUR MARCHÉ / ARRÊT
INTERRUPTOR DE ENCENDIDO Y APAGADO**



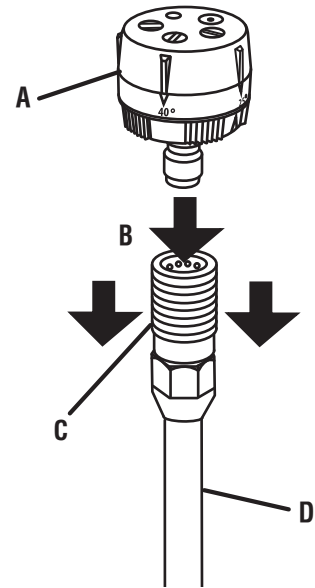
- A - ON position (marche, encendido)
- B - OFF position (arrêt, apagado)

Fig. 15



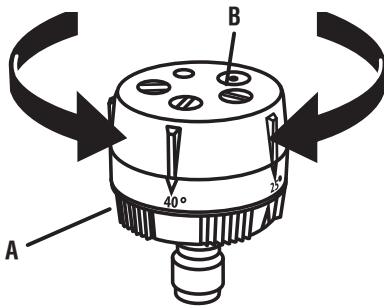
- A - Slot (fente, ranura)
- B - Lock out (bouton de verrouillage, seguro)

Fig. 16



- A - 5-in-1 Change Over Nozzle (buse à permutation 5 en 1, boquilla interchangeable 5 en 1)
- B - "Click" (déclat, hasta que trabé)
- C - Quick-connect collar (casquillo de conexión rápida)
- D - Spray wand (tubo rociador)

Fig. 17



- A - 5-in-1 Change Over Nozzle (buse à permutation 5 en 1, boquilla intercambiable 5 en 1)
- B - Spray selector (spray selector, spray selector)

Fig. 18



- A - Soap Long Range [☛] (détergent à longue portée, largo plazo)
- B - Soap Short Range [♥] (détergent à courte portée, corto plazo)

Fig. 19



- A - Detergent container (réservoir de détergent, recipiente del detergente)
- B - Injection hose (flexible d'injection, manguera de inyección)
- C - 5-in-1 Change Over Nozzle (buse à permutation 5 en 1, boquilla intercambiable 5 en 1)

Fig. 20

**MOVING THE PRESSURE WASHER
DÉPLACEMENT DE LA MACHINE
PARA MOVER LA MÁQUINA**

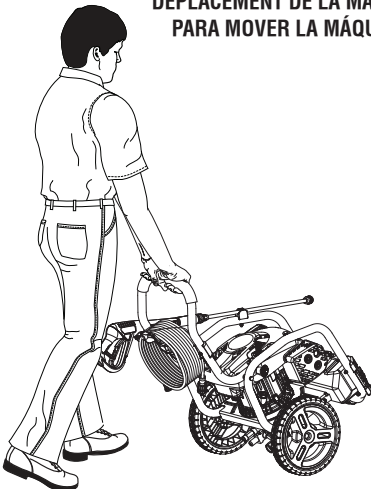
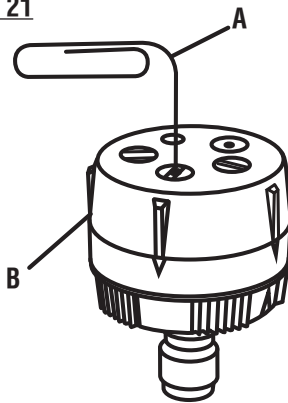
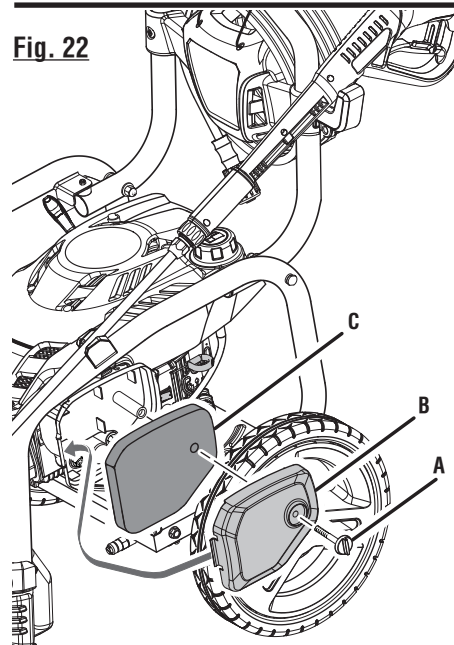


Fig. 21



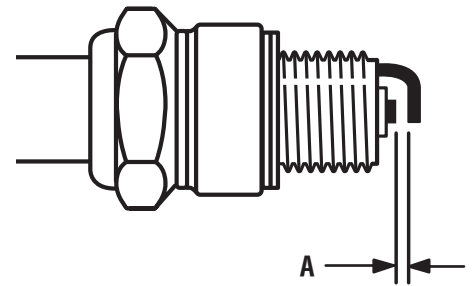
- A - Paper clip (pièces de papier, clips de papel)
- B - 5-in-1 Change Over Nozzle (buse à permutation 5 en 1, boquilla intercambiable 5 en 1)

Fig. 22



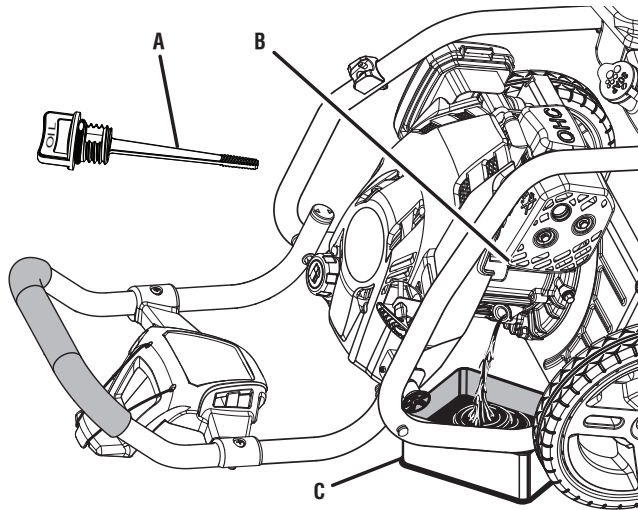
- A - Air filter knob (bouton de filtre à air, perilla del filtro de aire)
- B - Air filter cover (couvercle du filtre à air, tapa del filtro de aire)
- C - Air filter (filtre à air, filtro de aire)

Fig. 23



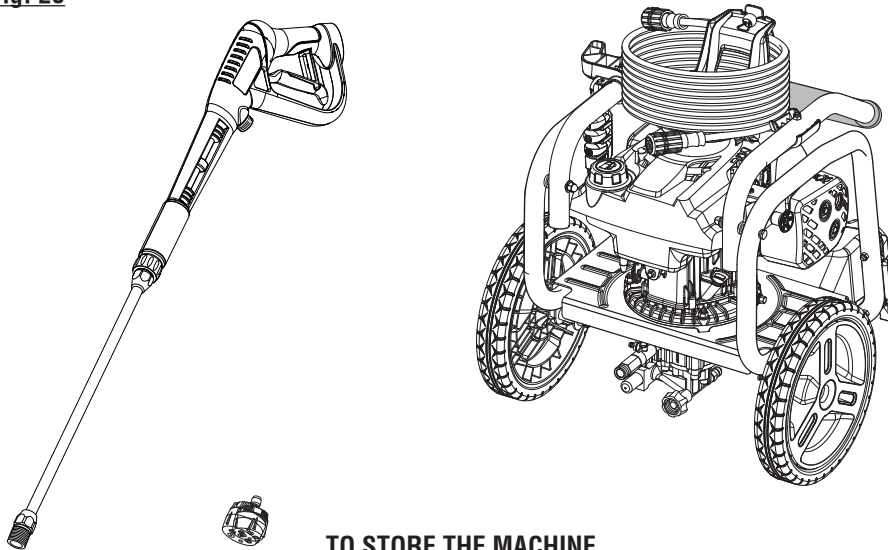
A - 0.030 in. [0,762 mm (0,030 pulg)]

Fig. 24



- A - Oil cap/dipstick (bouchon/jauge d'huile, tapa del aceite con varilla de nivel)
- B - Oil fill hole (orifice de remplissage d'huile, agujero de llenado de aceite)
- C - Container (récipient, recipiente)

Fig. 25



**TO STORE THE MACHINE
REMISAGE DE LA MACHINE
PARA GUARDAR LA MÁQUINA**

TABLE OF CONTENTS

TABLE DES MATIÈRES / ÍNDICE DE CONTENIDO

■ Introduction	2
Introduction / Introducción	
■ Important Safety Instructions	3
Règles de sécurité générales / Reglas de seguridad generales	
■ Specific Safety Rules.....	4
Règles de sécurité particulières / Reglas de seguridad específicas	
■ Symbols.....	5-6
Symboles / Símbolos	
■ Features.....	7
Caractéristiques / Características	
■ Assembly	7-9
Assemblage / Armado	7-9 / 8-9
■ Operation.....	10-13
Utilisation / Funcionamiento	9-13 / 9-12
■ Maintenance	13-15
Entretien / Mantenimiento	
■ Troubleshooting	16
Dépannage / Solución de problemas	
■ Warranty	17-21
Garantie / Garantía	
■ Parts Ordering and Service	Back Page
Commande de pièces et réparation / Pedidos de piezas y servicio	Page arrière / Pág. posterior

INTRODUCTION

INTRODUCTION / INTRODUCCIÓN

This product has many features for making its use more pleasant and enjoyable. Safety, performance, and dependability have been given top priority in the design of this product making it easy to maintain and operate.

* * *

Ce produit offre de nombreuses fonctions destinées à rendre son utilisation plus plaisante et satisfaisante. Lors de la conception de ce produit, l'accent a été mis sur la sécurité, les performances et la fiabilité, afin d'en faire un outil facile à utiliser et à entretenir.

* * *

Este producto ofrece numerosas características para hacer más agradable y placentero su uso. En el diseño de este producto se ha conferido prioridad a la seguridad, el desempeño y la fiabilidad, por lo cual se facilita su manejo y mantenimiento.

IMPORTANT SAFETY INSTRUCTIONS

WARNING:

Read and understand all instructions. Failure to follow all instructions listed below may result in electric shock, fire and/or carbon monoxide poisoning which will cause death or serious personal injury.

READ ALL INSTRUCTIONS




- **Know your tool.** Read the operator's manual carefully. Learn the machine's applications and limitations as well as the specific potential hazards related to this tool.
- **Keep guards in place** and in working order. Never operate the tool with any guard or cover removed. Make sure all guards are operating properly before each use.
- **Remove adjusting keys and wrenches.** Form habit of checking to see that keys and adjusting wrenches are removed from tool before turning it on.
- **To reduce the risk of injury,** keep children and visitors away. All visitors should wear safety glasses and be kept a safe distance from work area.
- **Keep the area of operation clear of all persons,** particularly small children, and pets.
- **Do not operate the engine in a confined space** where dangerous carbon monoxide fumes can collect. Carbon monoxide, a colorless, odorless, and extremely dangerous gas, can cause unconsciousness or death.
- **Use right tool.** Don't force tool or attachment to do a job it was not designed for. Don't use it for a purpose not intended.
- **Dress properly.** Do not wear loose clothing, gloves, neckties, or jewelry. They can get caught and draw you into moving parts. Rubber gloves and nonskid footwear are recommended when working outdoors. Also wear protective hair covering to contain long hair.
- **Do not operate the equipment while barefoot or when wearing sandals or similar lightweight footwear.** Wear protective footwear that will protect your feet and improve your footing on slippery surfaces.
- **Exercise caution to avoid slipping or falling.**
- **Always wear eye protection with side shields marked to comply with ANSI Z87.1.** Following this rule will reduce the risk of serious personal injury.
- **Don't overreach or stand on unstable support.** Keep proper footing and balance at all times.
- **Use only recommended accessories.** The use of improper accessories may cause risk of injury.
- **Follow the maintenance instructions specified in this manual.**
- **Check damaged parts.** Before further use of the tool, a guard or other part that is damaged should be carefully checked to determine that it will operate properly and perform its intended function. Check for alignment of moving parts, binding of moving parts, breakage of parts, mounting, and any other conditions that may affect its operation. A guard or other part that is damaged must be properly repaired or replaced by an authorized service center to avoid risk of personal injury.
- **Never leave tool running unattended. Turn power off.** Don't leave tool until it comes to a complete stop.
- **Keep the engine free of grass, leaves, or grease** to reduce the chance of a fire hazard.
- **Keep the exhaust pipe free of foreign objects.**
- **Follow manufacturer's recommendations for safe loading, unloading, transport, and storage of machine.**
- **Be thoroughly familiar with controls.** Know how to stop the product and bleed pressure quickly.
- **Keep tool dry, clean, and free from lubricant and grease.** Always use a clean cloth when cleaning. Never use brake fluids, gasoline, petroleum-based products, or any solvents to clean tool.
- **Stay alert and exercise control.** Watch what you are doing and use common sense. Do not operate tool when you are tired. Do not rush.
- **Do not operate the product while under the influence of drugs, alcohol, or any medication.**
- **Check the work area before each use.** Remove all objects such as rocks, broken glass, nails, wire, or string which can be thrown or become entangled in the machine.
- **Do not use tool if switch does not turn it off.** Have defective switches replaced by an authorized service center.
- **Before cleaning, repairing, or inspecting,** shut off the engine and make certain all moving parts have stopped. Disconnect the spark plug wire, and keep the wire away from the plug to prevent accidental starting.
- **Avoid dangerous environment.** Don't use in damp or wet locations or expose to rain. Keep work area well lit.
- **Never use in an explosive atmosphere.** Normal sparking of the motor could ignite fumes.
- **Do not operate while smoking or near an open flame.**
- **Do not operate around dry brush, twigs, cloth rags, or other flammable materials.**
- **WARNING: Risk of injection or injury** – Do not direct discharge stream at persons.

SPECIFIC SAFETY RULES









- **Never direct a water stream toward people or pets, or any electrical device.**
- **Before starting any cleaning operation**, close doors and windows. Clear the area to be cleaned of debris, toys, outdoor furniture, or other objects that could create a hazard.
- **Never pick up or carry a machine while the engine is running.**
- **Never start the machine** if ice has formed in any part of the equipment.
- **Do not use acids, alkalines, solvents, flammable material, bleaches, or industrial grade solutions** in this product. These products can cause physical injuries to the operator and irreversible damage to the machine.
- **Always operate the machine** on a level surface. If the engine is on an incline, it could seize due to improper lubrication (even at the maximum lubricant level).
- **WARNING: High pressure jets can be dangerous if subject to misuse.** The jet must not be directed at persons, animals, electrical devices, or the machine itself.
- **Hold the handle and wand securely with both hands.** Expect the trigger handle to move when the trigger is pulled due to reaction forces. Failure to do so could cause loss of control and injury to yourself and others.
- **Never attempt to make any adjustments while the engine (motor) is running** (except where specifically recommended by the manufacturer).
- **Protective covers must always cover rotating parts when the engine is running.**
- **Keep cooling air intake** (recoil starter area) and muffler side of the engine at least 3 feet away from buildings, obstructions, and other combustible objects.
- **Keep the engine away from flammables and other hazardous materials.**
- **Keep away from hot parts.** The muffler and other engine parts become very hot; use caution.
- **Do not touch the spark plug and ignition cable** when starting and operating the engine.
- **Check fuel hoses and joints** for looseness and fuel leakage before each use.
- **Check bolts and nuts** for looseness before each use. A loose bolt or nut may cause serious engine problems.
- **Always refuel outdoors.** Never refuel indoors or in a poorly ventilated area.
- **Never store the machine with fuel in the fuel tank inside a building** where ignition sources are present, such as hot water and space heaters, clothes dryers, and the like.
- **If the fuel tank has to be drained, do this outdoors.**
- **To reduce the risk of fire and burn injury**, handle fuel with care. It is highly flammable.
- **Do not smoke while handling fuel.**
- **Add fuel before starting the engine.** Never remove the cap of the fuel tank or add fuel while the engine is running or when the engine is hot.
- **Loosen fuel cap slowly** to release pressure and to keep fuel from escaping around the cap.
- **Replace all fuel tank and container caps securely.**
- **Wipe spilled fuel from the unit.** Move 30 feet away from refueling site before starting engine.
- **If fuel is spilled**, do not attempt to start the engine but move the machine away from the area of spillage and avoid creating any source of ignition until fuel vapors have dissipated.
- **Never attempt to burn off spilled fuel under any circumstances.**
- **Before storing, allow the engine to cool.**
- **Store fuel in a cool, well-ventilated area**, safely away from spark and/or flame-producing equipment.
- **Store fuel in containers** specifically designed for this purpose.
- **Empty fuel tank and restrain the unit from moving** before transporting in a vehicle.
- **When servicing use only identical replacement parts.** Use of any other parts may create a hazard or cause product damage.
- **ONLY use cold water.**
- **Make sure minimum clearance** of 3 feet is maintained from combustible materials.
- **Never spray close to the surface** to be cleaned as you can damage the surface.
- **After stopping the engine, always pull the trigger on the trigger handle to relieve stored pressure in the high pressure hose.** Failure to do so could result in serious personal injury.
- **For outdoor use only.**
- **Ensure the high pressure hose is properly connected before using the product.**
- **Save these instructions.** Refer to them frequently and use them to instruct other users. If you loan someone this tool, loan them these instructions also.

SYMBOLS

The following signal words and meanings are intended to explain the levels of risk associated with this product.


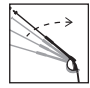


SYMBOL	SIGNAL	MEANING
	DANGER:	Indicates an imminently hazardous situation, which, if not avoided, will result in death or serious injury.
	WARNING:	Indicates a potentially hazardous situation, which, if not avoided, could result in death or serious injury.
	CAUTION:	Indicates a potentially hazardous situation, which, if not avoided, may result in minor or moderate injury.
	CAUTION:	(Without Safety Alert Symbol) Indicates a situation that may result in property damage.

Some of the following symbols may be used on this product. Please study them and learn their meaning for safe operation of this product.

SYMBOL	NAME	EXPLANATION
	Safety Alert	Indicates a potential personal injury hazard.
	Read Operator's Manual	To reduce the risk of injury, user must read and understand operator's manual before using this product.
	Eye Protection	Always wear eye protection with side shields marked to comply with ANSI Z87.1.
	Wet Conditions Alert	Do not expose to rain or use in damp locations.
	Hot Surface	To reduce the risk of injury or damage, avoid contact with any hot surface.
	Risk of Injections	To reduce the risk of injection or injury, never direct a water stream towards people or pets or place any body part in the stream. Leaking hoses and fittings are also capable of causing injection injury. Do not hold hoses or fittings.
	Risk of Explosion	Fuel and its vapors are explosive and can cause severe burns or death.
	Risk of Fire	Fuel and its vapors are extremely flammable and explosive. Fire can cause severe burns or death.

SYMBOLS

Some of the following symbols may be used on this product. Please study them and learn their meaning for safe operation of this product.

SYMBOL	NAME	EXPLANATION
	Toxic Fumes	Gas products emit carbon monoxide, an odorless, colorless, poison gas. Breathing carbon monoxide can cause nausea, fainting, or death.
	Kickback	To reduce the risk of injury from kickback, hold the spray wand securely with both hands when the machine is on.
	Electric Shock	Failure to use in dry conditions and to observe safe practices can result in electric shock.
	Chemical Burns	To reduce the risk of injury or damage, DO NOT USE ACIDS, ALKALINES, BLEACHES, SOLVENTS, FLAMMABLE MATERIAL, OR INDUSTRIAL GRADE SOLUTIONS in this product.

FEATURES

PRODUCT SPECIFICATIONS

Fuel Tank Capacity	0.22 gal.
Oil capacity.....	20 oz.
Maximum Pounds Per Square Inch Pressure*	2,700 psi
Maximum Gallons Per Minute*	2.4 gpm
Maximum Inlet Water Temperature	104°F

*Max rating determined by PWMA Standard 101

KNOW YOUR PRESSURE WASHER

See Figure 1.

The safe use of this product requires an understanding of the information on the tool and in this operator's manual as well as a knowledge of the project you are attempting. Before use of this product, familiarize yourself with all operating features and safety rules.

5-IN-1 CHANGE OVER NOZZLE

The 5-in1 Change Over Nozzle makes it easy to change spray patterns.

FUEL TANK

This fuel tank has a maximum capacity of 0.22 gal. Use unleaded automotive gasoline in the engine.

FUEL VALVE

The fuel valve must be open to start the engine and should always be closed before storing the machine.

HOSE STORAGE

Once the high pressure hose is rolled, hang it on the back of the machine using the hook-and-loop strap to secure in place.

ON/OFF SWITCH

The on/off switch is used in combination with the starter grip and rope to start the engine. It is also used to turn the engine off.

STARTER GRIP WITH ROPE

The starter grip with rope is pulled to start the machine.

SPARK ARRESTOR

This engine is not factory equipped with a spark arrestor. In some areas it is illegal to operate an engine without a spark arrestor. A spark arrestor is available by calling customer service for assistance.

THERMAL RELIEF VALVE

This pump feature will prevent water temperatures from reaching harmful levels by releasing a small amount of water. Once the water has drained, the thermal relief valve will reset itself.

TRIGGER HANDLE

The trigger handle has a gripping surface that provides added control of the spray wand and helps reduce fatigue.

TRIGGER WITH LOCK OUT

Pulling the trigger releases a stream of water for high pressure cleaning. The lock out provides protection against unauthorized use.

TOOLS NEEDED

The following tools (not included or drawn to scale) are needed for assembly:

See Figure 1a.

- 7/16 in. wrench
- Phillips head screwdriver

ASSEMBLY

UNPACKING

This product requires assembly.

- Carefully remove the product and any accessories from the box. Make sure that all items listed in the packing list are included.

WARNING:

Do not use this product if any parts on the Packing List are already assembled to your product when you unpack it. Parts on this list are not assembled to the product by the manufacturer and require customer installation. Use of a product that may have been improperly assembled could result in serious personal injury.

ASSEMBLY

NOTE: This tool is heavy. To avoid back injury, lift with your legs, not your back, and get help when needed.

- Inspect the tool carefully to make sure no breakage or damage occurred during shipping.
- Do not discard the packing material until you have carefully inspected and satisfactorily operated the tool.
- If any parts are damaged or missing, please call 1-800-242-4672 for assistance.

PACKING LIST

Pressure Washer
25 ft. High Pressure Hose
Trigger Handle Holder
Trigger Handle
Screw (1/4-20 x 1.65 in., Pan Hd.)
Screw (1/4-20 x 1.85 in. Pan Hd.)
Screw (1/4-20 x 2.27 in. Pan Hd.)
Spray Wand
5-in-1 Change Over Nozzle
Injection Hose plus Filter
Flat Washer
4-Cycle Engine Lubricant (SAE 30 or SAE 10W30)
Hose Storage
Operator's Manual

WARNING:

If any parts are damaged or missing do not operate this product until the parts are replaced. Use of this product with damaged or missing parts could result in serious personal injury.

WARNING:

Do not attempt to modify this product or create accessories not recommended for use with this product. Any such alteration or modification is misuse and could result in a hazardous condition leading to possible serious personal injury.

WARNING:

To prevent accidental starting that could cause serious personal injury, always disconnect the engine spark plug wire from the spark plug when assembling parts.

RAISING AND LOWERING THE HANDLE

See Figure 2.

- To raise the handle (for moving the pressure washer): pull the handle up until the handle release knob snaps into locking position. Ensure the lock is secured in the frame hole before moving.
- To lower the handle (for storing or transporting the pressure washer): pull the handle release knob out and lower the handle to the down position.

NOTE: The handle can not be locked in the down position.

Never use the handle to lift the pressure washer. The handle should only be used for moving the unit by rolling it on its wheels.

INSTALLING HOSE STORAGE, TRIGGER HANDLE HOLDER, AND SPRAY WAND HOLDER

See Figures 3 - 4.

- Raise handle as described in the **Raising and Lowering Handle** section.
- Place hose storage onto the handle as shown.
- Align the holes in the hose storage with the holes in the handle.
- Insert bolt (1/4-20 x 1.65 in.) through the holes in the left side of the handle and hose storage.
- Place nut onto bolt and tighten.
- Place the trigger handle holder onto the handle as shown.
- Align the holes in the trigger handle holder with the holes in the hose storage and the handle.
- Insert bolt (1/4-20 x 2.27 in.) through the holes in handle, hose storage, and trigger handle holder.
- Turn bolt while holding the nut in place to tighten and secure.
- Place spray wand holder onto pressure washer frame.
- Align the holes in the spray wand holder with the holes in the pressure washer frame.
- Insert screw (1/4-20 x 1.85 in.) through the holes in the spray wand holder and the pressure washer frame.
- Place nut onto screw and tighten.

ASSEMBLING THE SPRAY WAND TO THE TRIGGER HANDLE

See Figure 5.

- Place the threaded end of the spray wand in the connector on the end of the trigger handle.
- Turn the connector clockwise until it stops. This secures the spray wand in place.

ASSEMBLY

CONNECTING HIGH PRESSURE HOSE TO TRIGGER HANDLE

See Figure 6.

- Screw the collar on the high pressure hose into the trigger handle inlet coupler by turning the hose collar clockwise.
- Pull on the hose to be certain it is properly secured.

CONNECTING THE HIGH PRESSURE HOSE TO THE PUMP

See Figure 7.

After the high pressure hose has been uncoiled and attached to the spray wand:

- Align the collar on the threaded nipple on the pump.
- Insert the nozzle on the end of the high pressure hose collar into the threaded nipple.
- Turn the collar clockwise to tighten the hose securely to the pump.
- Pull on the hose to be certain it is properly secured.

CAUTION:

Do not run the pressure washer pump without water supply connected and turned on, as this may damage the high pressure seals and decrease pump life. Completely unwind the hose from its reel or coil and make sure the hose is not being restricted by tires, rocks, or any other objects that may lessen or prevent water flow to the pressure washer.

CONNECTING THE GARDEN HOSE TO THE PRESSURE WASHER

See Figure 8.

CAUTION:

Always observe all local regulations when connecting hoses to the water main. Some areas have restrictions against connecting directly to public drinking water supply to prevent the feedback of chemicals into the drinking water supply. Direct connection through a receiver tank or backflow preventer is usually permitted.

The water supply must come from a water main. NEVER use hot water or water from pools, lakes, etc. Before connecting the garden hose to the pressure washer:

- Run water through the hose for 30 seconds to clean any debris from the hose.
- Inspect the screen in the water intake.
- If the screen is damaged, do not use the machine until the screen has been replaced.
- If the screen is dirty, clean it before connecting the garden hose to the machine.

To connect the garden hose to the machine:

- Uncoil the garden hose.
NOTE: There must be a minimum of 10 feet of unrestricted hose between the pressure washer intake and the hose faucet or shut off valve (such as a “Y” shut off connector).
- With the hose faucet turned completely off, attach the end of the garden hose to the water intake. Tighten by hand.

ATTACHING INJECTION HOSE

See Figures 9 - 10.

Before detergent can be used with this machine, the injection hose must be attached.

- Push the open end of the clear injection hose securely over the fitting on the back of the unit.

NOTE: Keep injection hose away from hot surfaces.

- Open the cap on the detergent tank.
- Remove the filter from the injection hose.
- From the top of the cap, slide the injection hose through the hole in the cap.
- Push the injection hose filter onto the end of the injection hose and pull enough hose through the cap so the injection hose filter will rest at the bottom of the detergent tank.
- Close the cap on the detergent tank.

OPERATION

WARNING:

Do not allow familiarity with this product to make you careless. Remember that a careless fraction of a second is sufficient to inflict serious injury.

WARNING:

Always wear eye protection with side shields marked to comply with ANSI Z87.1. Failure to do so could result in objects being thrown into your eyes resulting in possible serious injury.

WARNING:

Do not use any attachments or accessories not recommended by the manufacturer of this product. The use of attachments or accessories not recommended can result in serious personal injury.

WARNING:

Never direct a water stream toward people or pets, or any electrical device. Failure to heed this warning could result in serious injury.

APPLICATIONS

You may use this tool for the purposes listed below:

- Removing dirt and mold from decks, cement patios, and house siding
- Cleaning boats, outdoor furniture, and grills

ADDING LUBRICANT TO THE ENGINE

See Figure 11.

NOTE: This machine has been shipped with approximately 2 oz. of lubricant in the engine from testing. **You must add lubricant to the engine before starting it the first time.**

CAUTION:

Any attempt to start the engine without adding lubricant will result in engine failure.

- Place pressure washer on a flat, level surface.
- Unscrew the lubricant cap / dipstick by turning counterclockwise.
- Using 4-stroke engine lubricant (SAE30 or SAE 10W30), add engine lubricant until the fluid level rises to the upper portion of the hatched area on the dipstick (18 oz., 4-cycle engine lubricant provided). **Do not overfill.**
- Replace the lubricant cap/ dipstick and securely tighten.

NOTE: This engine has a total lubricant capacity of 20 oz.

OXYGENATED FUELS

DO NOT USE E85 FUEL. IT WILL VOID YOUR WARRANTY.

NOTE: Fuel system damage or performance problems resulting from the use of an oxygenated fuel containing more than the percentages of oxygenates stated below **are not covered under warranty.**

Ethanol. Gasoline containing up to 10% ethanol by volume (commonly referred to as E10) is acceptable. E85 is not.

ADDING GASOLINE TO THE FUEL TANK

See Figure 12.

WARNING:

Gasoline and its vapors are highly flammable and explosive. To prevent serious personal injury and property damage, handle gasoline with care. Keep away from ignition sources, handle outdoors only, do not smoke while adding fuel, and wipe up spills immediately.

When adding gas to the pressure washer, make sure the unit is sitting on a flat, level surface. If the engine is hot, let the pressure washer cool before adding gas. **ALWAYS** fill the fuel tank outdoors with the machine turned off.

NOTE: Use unleaded gas only. **DO NOT** mix lubricant with gas.

- Before removing the fuel cap, clean the area around it. Remove the fuel cap.
- Insert a clean funnel into the fuel tank then slowly pour gasoline into the tank. Fill tank to approximately 1-1/2 in. below the top of the tank neck (this allows for fuel expansion).
- Replace fuel cap and tighten until the cap “clicks”.
- Clean up any spills before starting the engine.

WARNING:

Always shut off engine before fueling. Never add fuel to a machine with a running or hot engine. Move at least 30 ft. from refueling site before starting engine. Do not smoke and stay away from open flames and sparks! Failure to follow these instructions could result in serious personal injury.

OPERATION

STARTING AND STOPPING THE PRESSURE WASHER

See Figures 13 - 14.

CAUTION:

Do not run the pressure washer pump without water supply connected and turned on, as this may damage the high pressure seals and decrease pump life. Completely unwind the hose from its reel or coil and make sure the hose is not being restricted by tires, rocks, or any other objects that may lessen or prevent water flow to the pressure washer.

Before starting the engine:

- Connect all hoses.
- Check all fluids (lubricant and gas).
- Turn on the garden hose then squeeze the trigger to relieve air pressure; hold the trigger until a steady stream of water appears.

To start the engine:

- Turn the fuel valve to the ON position.
- Put the on/off switch in the ON position.
- Push choke into the START position.
- Grasp the starter grip with rope and pull slowly until resistance is felt. Give the starter grip with rope a short, brisk pull to start the engine.

NOTE: Do not allow the starter grip with rope to snap back after starting; return it gently to its original place.

CAUTION:

If the engine does not start after each pull of the starter grip with rope, squeeze the trigger to relieve water pressure before attempting to start the engine again.

- Let engine run for several seconds, then gradually slide the choke lever fully toward the RUN position.

To stop the engine:

- Put the on/off switch in the OFF position.
- Turn the fuel valve to the OFF position.
- Shut off the water supply and pull trigger to release water pressure.

WARNING:

Hold the handle and wand securely with both hands. Expect the trigger handle to move when the trigger is pulled due to reaction forces. Failure to do so could cause loss of control and injury to yourself and others.

USING THE SPRAY WAND TRIGGER

See Figure 15.

- Pull back and hold the trigger to operate the pressure washer.
- Release the trigger to stop the flow of water through the nozzle.

To engage the lock out:

- Push up on the lock out until it clicks into the slot.

To disengage the lock out:

- Push the lock out down and into its original position.

For the most effective cleaning, the spray nozzle should be between 8 in. and 24 in. from the surface to be cleaned. If the spray is too close it can damage the cleaning surface.

INSTALLING/REMOVING NOZZLES

See Figure 16.

WARNING:

NEVER change nozzles or spray patterns without locking the lock out on the trigger handle and NEVER point the wand at your face or at others. The quick-connect feature contains small springs that could eject the nozzle with some force. Failure to heed this may cause personal injury.

Using the quick-connect collar changing the nozzle is easy

To connect the nozzle to the trigger handle:

- Turn off the pressure washer and shut off the water supply. Pull trigger to release water pressure.
- Engage the lock out on the trigger handle by pushing up on the lock out until it clicks into the slot.
- Push the nozzle into the quick-connect collar until it clicks in place and is secured properly.

To disconnect a nozzle from the trigger handle once the cleaning job is complete:



- Turn off the pressure washer and shut off the water supply. Pull trigger to release water pressure.
- Engage the lock out on the trigger handle by pushing up on the lock out until it clicks into the slot.
- Remove the nozzle by placing hand over nozzle then pulling back the quick-connect collar.

OPERATION

USING THE 5-IN-1 CHANGE OVER NOZZLE

See Figure 17.

There are five spray pattern settings located on the 5-in-1 Change Over Nozzle. To select a spray pattern, rotate the spray selector to the desired setting.

Nozzle	Application
0°	Spot cleaning of high, hard-to-reach areas <ul style="list-style-type: none"> • Removing caked-on mud from heavy construction, farm, or lawn equipment • Cleaning tar, glue, or stubborn stains from concrete • Cleaning overhead areas • Removing rust from steel and oxidation from aluminum
25°	For general purpose or large surfaces <ul style="list-style-type: none"> • General cleaning of dirt, mud, and grime • Cleaning roofs, gutters, and downspouts • Removing light mildew stains • Removing algae and bacteria build-up from pools • Rinsing surfaces in preparation for painting
40°	For wide-angle rinsing <ul style="list-style-type: none"> • Light cleaning and washing • Washing and rinsing of painted surfaces and boats • Cleaning roofs, windows, patios, and driveways
 Soap Short Range	For short range detergent applications <ul style="list-style-type: none"> • Driveways, walkways, decks and patios, vehicles, fences, paint pop, patio furniture, and lawn equipment
 Soap Long Range	For long range detergent applications <ul style="list-style-type: none"> • Second story washing

USING THE HIGH PRESSURE HOSE

The high pressure hose features an outer covering that provides strength to the hose. If the outer covering becomes damaged, the hose must be replaced immediately. **Do not use a high pressure hose if the outer covering is damaged.**

To prevent damage to the outer covering:

- Inspect the hose before every use.

- Fully unwrap and straighten hose before use.
- Do not allow the high pressure hose to be kinked.
- Keep hose away from hot surfaces and sharp edges.
- Do not pull unit by high pressure hose.
- Do not allow hose to be crushed or wrapped around objects.

WASHING WITH DETERGENT

See Figures 18 - 19.

Use only detergents designed for pressure washers; household detergents, acids, alkalines, bleaches, solvents, flammable material, or industrial grade solutions can damage the pump. Many detergents may require mixing prior to use. Prepare cleaning solution as instructed on the solution bottle.

- Remove the cap from the detergent container and pour detergent in the container. Replace cap on container.
- Rotate the spray selector on the 5-in-1 Change Over Nozzle to either the Soap Short Range [♥] or Soap Long Range [☛] setting.
- Spray the detergent on a dry surface using long, even, overlapping strokes. To prevent streaking, do not allow detergent to dry on the surface.

NOTE: To use a detergent bottle, open the detergent container cap. Next, remove the filter from the end of the injection hose then slide the hose out of the cap. Place the injection hose filter back on the hose and place the hose in the bottom of the bottle.

For long range detergent application:

With the nozzle installed on the spray wand and the engine shut off, rotate the spray selector to the Soap Long Range [☛] setting.

For short range detergent application:

With the nozzle installed on the spray wand and the engine shut off, rotate the spray selector to the Soap Short Range [♥] setting.

Before shutting off the engine:

- Place the injection hose in a bucket of clean water.
- Flush for 1 - 2 minutes (spray clear water through the spray wand).
- Shut off the engine.

NOTE: Shutting **OFF (O)** the engine **WILL NOT** relieve pressure in the system. Pull trigger to release water pressure.

RINSING WITH THE PRESSURE WASHER

- Turn off the pressure washer and shut off the water supply. Pull trigger to release water pressure.
- Engage the lock out on the trigger handle by pushing up on the lock out until it clicks into the slot.
- Rotate the spray selector on the 5-in-1 Change Over Nozzle to either the [40°], [25°], or [0°] setting depending on the job. Refer to the chart in **Using the 5-in-1 Change Over Nozzle** to determine which setting is correct for your application.

OPERATION

- When using these settings, test a small area first to avoid surface damage.
- Start at the top of the area to be rinsed and work down, overlapping the strokes.

MOVING THE PRESSURE WASHER

See Figure 20.

NOTE: Never lift or carry this product using the handle and never place the unit in any position other than upright on its wheels.

- Turn the pressure washer off and ensure the fuel valve is closed.
- Pull the handle up until the handle release knob snaps into the locking position (if not already up and locked). Ensure the lock is secured in the frame hole before moving.

- Tilt the machine toward you until it balances on the wheels then roll the machine to the desired position.

For long term storage, see **Storing the Pressure Washer** in the *Maintenance* section of this manual.

MAINTENANCE

WARNING:

When servicing, use only identical replacement parts. Use of any other parts may create a hazard or cause product damage.

WARNING:

Always wear eye protection with side shields marked to comply with ANSI Z87.1. Failure to do so could result in objects being thrown into your eyes resulting in possible serious injury.

WARNING:

Before inspecting, cleaning or servicing the machine, shut off engine, wait for all moving parts to stop, and disconnect spark plug wire and move it away from spark plug. Failure to follow these instructions can result in serious personal injury or property damage.

WARNING:

Do not at any time let brake fluids, gasoline, petroleum-based products, penetrating lubricants, etc., come in contact with plastic parts. Chemicals can damage, weaken or destroy plastic which may result in serious personal injury.

Only the parts shown on the parts list are intended to be repaired or replaced by the customer. All other parts should be replaced at an authorized service center.

Before running the engine, perform the following pre-operation steps:

- Check that all bolts, nuts, etc., are securely tightened.
- Make sure the air filter is clean.
- Check both the engine lubricant level and the fuel tank level; refill as needed.
- Inspect the work area for hazards.
- If there is excessive noise or vibration, stop the unit immediately.

GENERAL MAINTENANCE

Avoid using solvents when cleaning plastic parts. Most plastics are susceptible to damage from various types of commercial solvents and may be damaged by their use. Use clean cloths to remove dirt, dust, lubricant, grease, etc.

MAINTENANCE

NOZZLE MAINTENANCE

See Figure 21.

Excessive pump pressure (a pulsing sensation felt while squeezing the trigger) may be the result of a clogged or dirty nozzle.

- Turn off the pressure washer and shut off the water supply. Pull trigger to release water pressure.
- Remove the nozzle from the spray wand.
NOTE: Never point the spray wand at your face.
- Using a straightened paper clip or nozzle cleaning tool (not provided), free any foreign materials clogging or restricting the nozzle.
- Using a garden hose, flush debris out of nozzle by back flushing (running the water through the nozzle backwards or from the outside to the inside).
- Reconnect the nozzle to the spray wand.
- Turn on the water supply and start the engine.

CLEANING THE AIR FILTER

See Figure 22.

A dirty air filter will cause starting difficulty, loss of performance, and shorten the life span of the engine. Check the air filter monthly. For best performance, replace the air filter at least once a year.

- Unscrew air filter knob, then remove the air filter cover.
- Lift the edge of the air filter carefully and pull it out.
- Wash the air filter with warm, soapy water.
- Rinse and squeeze to dry.
- Reinstall the air filter.

NOTE: Make sure the filter is seated properly inside the cover. Installing the filter incorrectly will allow dirt to enter the engine, causing rapid engine wear.

- Reinstall the air filter cover.

CHECKING SPARK PLUG

See Figure 23.

- Clean the area around the base of the spark plug before removing to keep dirt and debris out of the engine. Remove spark plug.
- Clean off carbon deposits on the spark plug electrode using a plug cleaner or wire brush. Replace the plug if worn. (Recommended spark plug: BPR6HS (NGK) or equivalent.)
- Check electrode gap. The gap should be .03 in. (0.7- 0.8 mm). Adjust the gap, if necessary, by carefully bending the ground electrode.
- Reinstall spark plug. Tighten securely.

CHANGING ENGINE LUBRICANT

See Figure 24.

- Shut off the engine.
- Clean the area around the lubricant fill cap/dipstick, then remove the lubricant fill cap/dipstick.
- Tilt the pressure washer on its side as shown. Drain lubricant into approved container.
NOTE: Drain the lubricant while the engine is still warm but not hot. Warm lubricant will drain quickly and more completely.
- After the crankcase is completely drained, return the pressure washer to an upright position.
- Fill with lubricant following the instructions in **Adding Lubricant To The Engine** earlier in this manual.

NOTE: Consult hazardous waste management guidelines in your area for the proper way to dispose of used lubricant.

PUMP LUBRICATION

The pump on this product was lubricated with a sufficient amount of high grade lubricant for the life of the unit under normal operating conditions. Therefore, no further lubrication is required.

STORING THE PRESSURE WASHER

See Figure 25.

Store the pressure washer with the gas tank empty by either draining the tank or running the pressure washer until the gas runs out. Allow 30 minutes of "cool down" time before storing the machine. Never place the unit in any position other than upright on its wheels.

Store in a dry covered area where the weather can't damage it. It is important to store this product in a frost-free area. Always empty water from all hoses, the pump, and the detergent bucket before storing.

NOTE: Use of a fuel stabilizer and pump saver will give you better performance and increase the life of the machine.

Discharge Fuel:

Drain the fuel tank completely. Stored gas can go stale in 30 days.

MAINTENANCE

Engine Lubricant:

Drain the lubricant and replace with fresh, clean lubricant.

Spark Plug:

- Disconnect spark plug wire and remove the spark plug. Pour about a teaspoon of clean, air-cooled, four-cycle lubricant through the spark plug hole into the combustion chamber.
- Leaving the spark plug out, pull the starter cord two or three times to coat the inside of the cylinder wall.
- Inspect the sparkplug and clean or replace, as necessary.
- Reinstall the spark plug, but leave the spark plug wire disconnected.

Air Filter:

- Clean the air filter.

Hoses and Pump:

Flush the injection hose with clean water for 1-2 minutes. Remove all hoses. Empty the pump by pulling on the recoil

starter about 6 times. This should remove most of the liquid from the pump.

Handle:

- Pull the handle release knob out and lower the handle to the down position.

PREPARING FOR USE AFTER STORAGE

- Pull the starter grip with rope three or four times to clean lubricant from the combustion chamber.
- Remove spark plug from the cylinder. Wipe lubricant from the spark plug and return it to the cylinder.
- Reconnect the spark plug wire.
- Refuel the machine as described earlier in the operator's manual.

PERIODIC MAINTENANCE SCHEDULE

Maintenance Items	Each Use	20 hours	50 hours
Check for leakage and loose parts	•		
Check and refill engine lubricant	•		
Change engine lubricant *		•	
Clean spark plug		•	
Clean air cleaner		•	
Replace air cleaner element			•
Clean fuel cap			•
Clean and adjust spark plug and electrodes			•
Replace spark plug			•
Remove carbon from cylinder head **			•
Check and adjust valve clearance **			•
Clean and adjust carburetor **			•
Check fuel lines			•

*Initial lubricant change should be performed after first twenty hours of operation. Thereafter change lubricant every fifty hours. Dispose of waste lubricant safely and responsibly. Do not pour into sewage drains, onto garden soil or into open streams. Your local zoning or environmental regulations will give you more detailed instructions on proper disposal.

**As to the procedures for these items, consult your nearest Subaru service dealer.

TROUBLESHOOTING

PROBLEM	CAUSE	SOLUTION
Engine fails to start	<p>No fuel in tank</p> <p>Spark plug shorted or fouled</p> <p>Spark plug is broken (cracked porcelain or electrodes broken)</p> <p>Ignition lead wire shorted, broken, or disconnected from spark plug</p> <p>Ignition inoperative</p>	<p>Fill tank</p> <p>Replace spark plug</p> <p>Replace spark plug</p> <p>Replace lead wire or attach to spark plug</p> <p>Contact authorized service center</p>
Engine hard to start	<p>Water in gasoline</p> <p>Weak spark at spark plug</p>	<p>Drain entire system and refill with fresh fuel</p> <p>Contact authorized service center</p>
Engine lacks power	<p>Dirty air filter</p>	<p>Clean or replace air filter</p>
Detergent fails to mix with spray	<p>Detergent injection hose is not properly submerged</p> <p>Spray selector on the 5-in-1 Change Over Nozzle is set to either the [40°], [25°], or [0°] setting</p>	<p>Insert injection hose into detergent container or detergent bottle</p> <p>Rotate the spray selector on the 5-in-1 Change Over Nozzle to either the Soap Short Range [♥] or Soap Long Range [♣] setting</p>
Pump doesn't produce pressure	<p>Spray selector on the 5-in-1 Change Over Nozzle is set to either the Soap Short Range [♥] or Soap Long Range [♣] setting.</p> <p>Inadequate water supply</p> <p>Trigger handle or spray wand leaks</p> <p>Nozzle is clogged</p> <p>Pump is faulty</p> <p>Air in line</p>	<p>Rotate the spray selector on the 5-in-1 Change over Nozzle to either the [40°], [25°], or [0°] setting</p> <p>Provide adequate water flow</p> <p>Check connections and / or replace trigger handle or spray wand</p> <p>Clean nozzle</p> <p>Contact authorized service center</p> <p>Squeeze trigger on trigger handle to remove air from line</p>
Machine doesn't reach high pressure	<p>Diameter of garden hose is too small</p> <p>Water supply is restricted</p> <p>Not enough inlet water</p> <p>Spray selector on the 5-in-1 Change Over Nozzle is set to either the Soap Short Range [♥] or Soap Long Range [♣] setting.</p>	<p>Replace with 3/4 in. garden hose</p> <p>Check garden hose for kinks, leaks, and blockages</p> <p>Open water source full force</p> <p>Rotate the spray selector on the 5-in-1 Change Over Nozzle to either the [40°], [25°], or [0°] setting</p>

WARRANTY

FEDERAL EMISSIONS COMPONENT DEFECT WARRANTY

EMISSIONS COMPONENT DEFECT WARRANTY COVERAGE - This emission warranty is applicable in all States, except the State of California.

Fuji Heavy Industries Ltd. and Robin America Inc., Lake Zurich, Illinois, (herein "ROBIN AMERICA") warrant(s) to the initial retail purchaser and each subsequent owner, that this Nonroad engine (herein "engine") has been designed, built, and equipped to conform at the time of initial sale to all applicable regulations of the U.S. Environmental Protection Agency (EPA), and that the engine is free of defects in materials and workmanship which would cause this engine to fail to conform with EPA regulations during its warranty period.

For the components listed under PARTS COVERED, the service dealer authorized by ROBIN AMERICA will, at no cost to you, make the necessary diagnosis, repair, or replacement necessary to ensure that the engine complies with applicable U.S. EPA regulations.

EMISSION COMPONENT DEFECT WARRANTY PERIOD

The warranty period for this engine begins on the date of sale to the initial purchaser and continues for a period of 3 years.

PARTS COVERED

Listed below are the parts covered by the Emission Components Defect Warranty. Some of the parts listed below may require scheduled maintenance and are warranted up to the first scheduled replacement point for that part.

- (1) Fuel Metering System
 - (i) Carburetor and internal parts (and/or pressure regulator or fuel injection system).
 - (ii) Air/fuel ratio feedback and control system, if applicable.
 - (iii) Cold start enrichment system, if applicable.
 - (iv) Regulator assembly (gaseous fuel, if applicable)
- (2) Air Induction System
 - (i) Intake manifold, if applicable
 - (ii) Air filter.
- (3) Ignition System
 - (i) Spark plugs.
 - (ii) Magneto or electronic ignition system.
 - (iii) Spark advance/retard system, if applicable.
- (4) Exhaust manifold, if applicable
- (5) Miscellaneous Items Used in Above Systems.
 - (i) Electronic controls, if applicable
 - (ii) Hoses, belts, connectors, and assemblies.
 - (iii) Filter lock assembly (gaseous fuel, if applicable)

OBTAINING WARRANTY SERVICE

To obtain warranty service, take your engine to the nearest authorized Robin America service dealer. Bring your sales receipts indicating date of purchase for this engine. The service dealer authorized by ROBIN AMERICA will perform the necessary repairs or adjustments within a reasonable amount of time and furnish you with a copy of the repair order. All parts and accessories replaced under this warranty become the property of ROBIN AMERICA.

WHAT IS NOT COVERED*

* Conditions resulting from tampering, misuse, improper adjustment (unless they were made by the service dealer authorized by ROBIN AMERICA during a warranty repair), alteration, accident, failure to use the recommended fuel and lubricant, or not performing required maintenance services.

* The replacement parts used for required maintenance services.

* Consequential damages such as loss of time, inconvenience or loss of use of the engine or equipment, etc.

* Diagnosis and inspection charges that do not result in warranty-eligible service being performed.

* Any non-authorized replacement part, or malfunction of authorized parts due to use of non-authorized parts.

OWNER'S WARRANTY RESPONSIBILITIES

As the engine owner, you are responsible for the performance of the required maintenance listed in your owner's manual. ROBIN AMERICA recommends that you retain all receipts covering maintenance on your engine, but ROBIN AMERICA cannot deny warranty solely for the lack of receipts or for your failure to ensure the performance of all scheduled maintenance. As the engine owner, you should however be aware that ROBIN AMERICA may deny warranty coverage if your engine or a part has failed due to abuse, neglect, improper maintenance, or unapproved modifications.

You are responsible for presenting your engine to the nearest service dealer authorized by ROBIN AMERICA when a problem exists.

If you have any questions regarding your warranty rights and responsibilities, you should contact the Robin America customer service department at 1-630-350-8200 for the information.

THINGS YOU SHOULD KNOW ABOUT THE EMISSION CONTROL SYSTEM WARRANTY MAINTENANCE AND REPAIRS

You are responsible for the proper maintenance of the engine. You should keep all receipts and maintenance records covering the performance of regular maintenance in the event questions arise. These receipts and maintenance records should be transferred to each subsequent owner of the engine. ROBIN AMERICA reserves the right to deny warranty coverage if the engine has not been properly maintained. Warranty claims will not be denied, however, solely because of the lack of required maintenance or failure to keep maintenance records.

MAINTENANCE, REPLACEMENT, OR REPAIR OF EMISSION CONTROL DEVICES AND SYSTEMS MAY BE PERFORMED BY ANY REPAIR ESTABLISHMENT OR INDIVIDUAL; HOWEVER, WARRANTY REPAIRS MUST BE PERFORMED BY A SERVICE DEALER AUTHORIZED BY ROBIN AMERICA. THE USE OF PARTS THAT ARE NOT EQUIVALENT IN PERFORMANCE AND DURABILITY TO AUTHORIZED PARTS MAY IMPAIR THE EFFECTIVENESS OF THE EMISSION CONTROL SYSTEM AND MAY HAVE A BEARING ON THE OUTCOME OF A WARRANTY CLAIM.

If other than the parts authorized by ROBIN AMERICA are used for maintenance replacements or for the repair of components affecting emission control, you should assure yourself that such parts are warranted by their manufacturer to be equivalent to the parts authorized by ROBIN AMERICA in their performance and durability.

HOW TO MAKE A CLAIM

All repair qualifying under this limited warranty must be performed by a service dealer authorized by ROBIN AMERICA. In the event that any emission-related part is found to be defective during the warranty period, you shall notify Robin America customer service department at 1-630-350-8200 and you will be advised of the appropriate warranty service dealer or service providers where the warranty repair can be performed.

WARRANTY

CALIFORNIA EMISSION CONTROL WARRANTY STATEMENT YOUR WARRANTY RIGHTS AND OBLIGATIONS

The California Air Resources Board and Robin America Inc. (herein "ROBINAMERICA") are pleased to explain the emission control system warranty on your small off-road engine (SORE). In California, new SOREs must be designed, built, and equipped to meet the State's stringent anti-smog standards. ROBIN AMERICA must warrant the emission control system on your SOREs for the periods of time described below, provided there has been no abuse, neglect or improper maintenance of your SOREs.

Your emissions control system may include parts such as the carburetor or fuel-injection system, fuel lines, and the ignition system. Also included may be hoses, clamps, connectors and other associated components.

Where a warrantable condition exists, ROBIN AMERICA will repair your small off-road engine at no cost to you including diagnosis, parts, and labor.

MANUFACTURER'S WARRANTY COVERAGE:

This emissions control system is warranted for three (3) years. If any emission related part on your engine is defective, the part will be repaired or replaced by ROBIN AMERICA.

OWNER'S WARRANTY RESPONSIBILITIES:

- As the SORE owner, you are responsible for the performance of the required maintenance listed in your Owner's Manual. ROBIN AMERICA recommends that you retain all receipts covering maintenance on your SORE, but ROBIN AMERICA cannot deny warranty solely for the lack of receipts.

- As the SORE owner, you should, however, be aware that ROBIN AMERICA may deny you warranty coverage if your SORE or a part has failed due to abuse, neglect, or improper maintenance, or unapproved modifications.

- You are responsible for presenting your SORE to a distribution center or service center authorized by ROBIN AMERICA Inc., 940 Lively Blvd., Lake Zurich, IL 60047 as soon as a problem exists. The warranty repairs should be completed in a reasonable amount of time, not to exceed 30 days.

If you have a question regarding your warranty coverage, you should contact the Robin America Inc. Customer Service Department at 1-630-350-8200.

GENERAL EMISSIONS WARRANTY COVERAGE - California Only -

ROBIN AMERICA warrants to the ultimate purchaser and each subsequent purchaser that the SORE (1) has been designed, built, and equipped so as to conform with all applicable regulations; and (2) is free from defects in materials and workmanship that cause the failure of a warranted part to conform with those regulations as may be applicable in the terms and conditions stated below.

- a) The warranty period begins on the date the engine is delivered to an ultimate purchaser or first placed into service. The warranty period is three years.
- b) Subject to certain conditions and exclusions as stated below, the warranty on emissions related parts is as follows:
 - (1) Any warranted part that is not scheduled for replacement as required maintenance in your owner's manual is warranted for the warranty period stated above. If the part fails during the period of warranty coverage, the part will be repaired or replaced by ROBIN AMERICA according to subsection (4) below. Any such part repaired or replaced under warranty will be warranted for the remainder of the period.
 - (2) Any warranted part that is scheduled only for regular inspection in your owner's manual is warranted for the warranty period stated above. Any such part repaired or replaced under warranty will be warranted for the remaining warranty period.
 - (3) Any warranted part that is scheduled for replacement as required maintenance in your owner's manual is warranted for the period of time before the first scheduled replacement date for that part. If the part fails before the first scheduled replacement, the part will be repaired or replaced by ROBIN AMERICA according to subsection (4) below. Any such part repaired or replaced under warranty will be warranted for the remainder of the period prior to the first scheduled replacement point for the part.
 - (4) Repair or replacement of any warranted part under the warranty provisions herein must be performed at a warranty station at no charge to the owner.
 - (5) Notwithstanding the provisions herein, warranty services or repair will be provided at all of our distribution centers that are franchised to service the subject engines.
 - (6) The owner must not be charged for diagnostic labor that leads to the determination that a warranted part is in fact defective, provided that such diagnostic work is performed at a warranty station.
 - (7) ROBIN AMERICA is liable for damages to other engine components proximately caused by a failure under warranty of any warranted part.
 - (8) Throughout the engine warranty period stated above, ROBIN AMERICA will maintain a supply of warranted parts sufficient to meet the expected demand for such parts.
 - (9) Any replacement part may be used in the performance of any warranty maintenance or repairs and must be provided without charge to the owner. Such use will not reduce the warranty obligations of ROBIN AMERICA.
 - (10) Add-on or modified parts that are not exempted by the Air Resources Board may not be used. The use of any non-exempted add-on or modified parts by the ultimate purchaser will be grounds for disallowing a warranty claim. ROBIN AMERICA will not be liable to warrant failures of warranted parts caused by the use of a non-exempted add-on or modified part.

WARRANTY

When warranty repair is needed, the engine must be brought to an authorized service dealer or warranty station's place of business during normal business hours. In all cases, a reasonable time, not to exceed 30 days, must be allowed for the warranty repair to be completed after the engine is received by the authorized service dealer or warranty station.

MAINTENANCE, REPLACEMENT AND REPAIR OF EMISSION-RELATED PARTS

Only warranted engine replacement parts approved by ROBIN AMERICA should be used in the performance of any warranty maintenance or repairs on emission-related parts. If other than authorized parts are used for maintenance, replacement, or repair of components affecting emission control, you should assure yourself that such parts are warranted by their manufacturer to be equivalent to authorized parts in performance and durability. ROBIN AMERICA, however, assumes no liability under this warranty with respect to parts other than authorized parts. The use of non-authorized replacement parts does not invalidate the warranty on other components unless the non-authorized parts cause damage to warranted parts.

PARTS COVERED UNDER THE CALIFORNIA EMISSIONS WARRANTY

The repair or replacement of any warranted part otherwise eligible for warranty coverage may be excluded from such warranty coverage if ROBIN AMERICA demonstrates that the engine has been abused, neglected, or improperly maintained, and that such abuse, neglect, or improper maintenance was the direct cause of

the need for repair or replacement of the part. That notwithstanding, any adjustment of a component that has a factory installed, and properly operating, adjustment limiting device is still eligible for warranty coverage. The following emissions warranty parts list are covered.

- (1) Fuel Metering System
 - (i) Carburetor and internal parts (and/or pressure regulator or fuel injection system)
 - (ii) Air/fuel ratio feedback and control system, if applicable
 - (iii) Cold start enrichment system, if applicable.
 - (iv) Regulator assembly (gaseous fuel, if applicable)
- (2) Air Induction System
 - (i) Intake manifold, if applicable
 - (ii) Air filter
- (3) Ignition System
 - (i) Spark plugs
 - (ii) Magneto or electronic ignition system
 - (iii) Spark advance/retard system, if applicable
- (4) Exhaust manifold, if applicable
- (5) Evaporation Systems
 - (i) Fuel lines
 - (ii) Fuel line fittings
 - (iii) Carbon canister
 - (iv) Canister mounting brackets
 - (v) Carburetor purge port connector
 - (vi) Fuel tank
 - (vii) Fuel cap
 - (viii) Clamps

HIGH ALTITUDE ENGINE OPERATION

Please have an authorized Robin America service dealer modify this engine if it is to be run continuously above 5000 feet (1500 meters). Failure to do so, may result in poor engine performance, spark plug fouling, hard starting, and increased emissions.

Carburetor modification by an authorized Robin America service dealer will improve performance and allow that this engine meets EPA (Environmental Protection Agency) and California ARB (Air Resources Board) emission standards throughout its useful life.

An engine converted for high altitudes can not be run at 5000 feet or lower. In doing so, the engine will overheat and cause serious engine damage. Please have an authorized Robin America service dealer restore high altitude modified engines to the original factory specification before operating below 5000 feet.

AIR INDEX

To show compliance with California emission regulations, a hangtag has been provided displaying the Air Index level and durability period of this engine.

The Air Index level defines how clean an engine's exhaust is over a period of time. A bar graph scaled from "0" (most clean) to "10" (least clean) is used to show an engine's Air Index level. A lower Air Index level represents cleaner exhaust from an engine. The period of time (in hours) that the Air Index level is measured is known as the durability period. Depending on the size of the engine, a selection of time periods can be used to measure the Air Index level (see below).

Descriptive Term	Applicable to Emissions Durability Period
Moderate	50 hours (engine from 0 to 80 cc)
	125 hours (engine greater than 80 cc)
Intermediate	125 hours (engine from 0 to 80 cc)
	250 hours (engine greater than 80 cc)
Extended	300 hours (engine from 0 to 80 cc)
	500 hours (engine greater than 80 cc)

NOTICE: This hangtag must remain on this engine or piece of equipment, and only be removed by the ultimate purchaser before operation.

Valve Clearance (Intake and Exhaust)	0.12 mm (0.0047 in.) NOTE: Adjust the valve clearance while the engine is cold.
Emissions Durability Period (California only)	500 hours

WARRANTY

LIMITED NON-ENGINE WARRANTY STATEMENT

Homelite Consumer Products, Inc., (“Homelite”) warrants to the original retail purchaser that this HOMELITE brand pressure washer is free from defect in material and workmanship and agrees to repair or replace, at Homelite’s discretion, any defective product free of charge within these time periods from the date of purchase.

- Two years if the product is used for personal, family or household use;
- 90 days, if any of the above products are used for any other purpose, such as commercial or rental.

This warranty extends to the original retail purchaser only and commences on the date of the original retail purchase.

Any part of this product manufactured or supplied by Homelite and found in the reasonable judgment of Homelite to be defective in material or workmanship will be repaired or replaced without charge for parts and labor by a Homelite Authorized Service Center.

The product, including any defective part, must be returned to a Homelite Authorized Service Center within the warranty period. The expense of delivering the product to the service center for warranty work and the expense of returning it back to the owner after repair or replacement will be paid by the owner. Homelite’s responsibility in respect to claims is limited to making the required repairs or replacements and no claim of breach of warranty shall be cause for cancellation or rescission of the contract of sale of any HOMELITE brand product. Proof of purchase will be required to substantiate any warranty claim. All warranty work must be performed by a Homelite Authorized Service Center.

This warranty does not cover any product that has been subject to misuse, neglect, negligence, or accident, or that has been operated in any way contrary to the operating instructions as specified in the operator’s manual. This warranty does not apply to any damage to the product that is the result of improper maintenance or to any product that has been altered or modified so as to adversely affect the product’s operation, performance or durability or that has been altered or modified so as to change its intended use. The warranty does not extend to repairs made necessary by normal wear or by the use of parts or accessories which are either incompatible with the HOMELITE brand pressure washer or adversely affect its operation, performance or durability.

In addition, this warranty does not cover:

A. Tune-ups – Air filters, gas filters, spark plugs

B. Wear items – Hoses, connector fittings, spray nozzles, wheels, spray wand, detergent bucket, detergent tank

Homelite reserves the right to change or improve the design of any HOMELITE brand pressure washer without assuming any obligation to modify any product previously manufactured.

ALL IMPLIED WARRANTIES ARE LIMITED IN DURATION TO THE STATED WARRANTY PERIOD. ACCORDINGLY, ANY SUCH IMPLIED WARRANTIES INCLUDING MERCHANTABILITY, FITNESS FOR A PARTICULAR PURPOSE, OR OTHERWISE, ARE DISCLAIMED IN THEIR ENTIRETY AFTER THE EXPIRATION OF THE STATED TWO YEAR OR 90-DAY EXPRESS WARRANTY PERIOD. HOMELITE CONSUMER PRODUCTS’ OBLIGATION UNDER THIS WARRANTY IS STRICTLY AND EXCLUSIVELY LIMITED TO THE REPAIR OR REPLACEMENT OF DEFECTIVE PARTS AND HOMELITE DOES NOT ASSUME OR AUTHORIZE ANYONE TO ASSUME FOR THEM ANY OTHER OBLIGATION. SOME STATES DO NOT ALLOW LIMITATIONS ON HOW LONG AN IMPLIED WARRANTY LASTS, SO THE ABOVE LIMITATION MAY NOT APPLY TO YOU. ASSUMES NO RESPONSIBILITY FOR INCIDENTAL, CONSEQUENTIAL OR OTHER DAMAGES INCLUDING, BUT NOT LIMITED TO EXPENSE OF RETURNING THE PRODUCT TO AN AUTHORIZED HOMELITE SERVICE CENTER AND EXPENSE OF DELIVERING IT BACK TO THE OWNER, MECHANIC’S TRAVEL TIME, TELEPHONE OR TELEGRAM CHARGES, RENTAL OF A LIKE PRODUCT DURING THE TIME WARRANTY SERVICE IS BEING PERFORMED, TRAVEL, LOSS OR DAMAGE TO PERSONAL PROPERTY, LOSS OF REVENUE, LOSS OF USE OF THE PRODUCT, LOSS OF TIME, OR INCONVENIENCE, SOME STATES DO NOT ALLOW THE EXCLUSION OR LIMITATION OF INCIDENTAL OR CONSEQUENTIAL DAMAGES, SO THE ABOVE LIMITATION OR EXCLUSION MAY NOT APPLY TO YOU.

This warranty gives you specific legal rights, and you may also have other rights which vary from state to state.

This warranty applies to all HOMELITE brand pressure washer distributed by Homelite Consumer Products, Inc., and sold in the United States, Mexico, and Canada.

To locate your nearest Homelite Authorized Service Center, dial 1-800-242-4672 or log on to our website at www.homelite.com.

WARRANTY

LIMITED ENGINE WARRANTY

(Effective with engines purchased from Robin America, Lake Zurich, IL, after April 1, 2008)

Robin America, Inc., a division of Fuji Heavy Industries, Ltd. (herein "Subaru Robin"), warrants that each new engine sold by it will be free, under normal use and service, from defects in material and workmanship for a period listed below from the date of sale to the original retail purchaser. Subaru Robin's obligation under this Limited Warranty shall be limited to the repair and replacement, at Subaru Robin's option, of any part or parts which upon examination is/are found, in Subaru Robin's judgment, to have been defective in material or workmanship. It shall be a condition of Subaru Robin's obligation under this Limited Warranty that Subaru Robin, directly or through one of its Distributors or Service Centers authorized to service the particular engine involved, receive prompt notice of any warranty claim and that the engine or the part or parts claimed to be defective be promptly delivered, transportation prepaid, to such Distributor or Service Center for inspection and repair. All repairs qualifying under this Limited Warranty must be performed by Subaru Robin or one of its authorized Distributors or Service Centers.

WARRANTY PERIODS:

Subaru Four-Cycle, EX and EH Series, 4.3 hp or greater, Gasoline Engines

Limited 3 year Warranty

Subaru Four-Cycle, EH Series, LP/NG Engines

Limited 3 year Warranty

Subaru Mini-Four-Cycle, EH025, EH035, EH035V, Gasoline Engines

Limited 2 year Warranty

Subaru SP170, SP210 Gasoline Engines (Private/Residential)

Limited 3 year Warranty

Subaru SP170, SP210 Gasoline Engines (Commercial)

Limited 1 year Warranty

Subaru Rammer Series, Gasoline Engines

Limited 2 year Warranty

Subaru EA190V, EA175V Gasoline Engines (Private/Residential)

Limited 3 year Warranty

Subaru EA190V, EA175V Gasoline Engines (Commercial)

Limited 1 year Warranty

The repair or replacement of any part or parts under this Limited Warranty shall not extend the term of the engine warranty beyond the original term as set forth above.

LIMITATIONS AND EXCLUSIONS: This Limited Warranty shall not apply to:

1. Bent or broken crankshaft or resultant damage caused by vibration related to a bent or broken crankshaft

Also, damage caused by loose engine mounting bolts or improper or imbalanced accessories or blades mounted to the crankshaft.

2. Repairs required because of prolonged storage including damage caused by old or contaminated fuel in the fuel tank, fuel lines, or carburetor, sticky valves or corrosion and rust of engine parts.
3. Repair required due to overheating. (Most often caused by overloaded or clogged or damaged or missing flywheel, fan, inlet air passages, cooling fins, or air shrouds.)
4. Dirt or grit related wear caused by improper air cleaner maintenance (most often resulting in worn piston, piston rings, cylinders, valves, valve guides, carburetor, or other internal components).
5. Broken or scored parts caused by low lubricant level, dirty, or improper grade of lubricant.
6. Engine tune-ups and normal maintenance service including, but not limited to, valve adjustment, normal replacement of service items, fuel, and lubricating oil, etc.
7. Any engine which has been subject to negligence, misuse, accident, misapplication, or overspeeding.
8. Any engine that has been installed, repaired, or altered by anyone in a manner which in Subaru Robin's sole judgment adversely affects its performance or reliability.
9. Any engine which has been fitted with or repaired with parts or components not manufactured or approved by Subaru Robin which in Subaru Robin's sole judgment adversely affects its performance or reliability.
10. Instances when normal use has exhausted the life of a component or an engine.

The customer is responsible for all transportation charges in connection with any warranty work.

Subaru Robin reserves the right to modify, alter, or improve any engines or parts without incurring any obligation to modify or replace any engine or parts previously sold without such modification, alternation, or improvement.

No person is authorized to give any other warranty or to assume any additional obligation on Subaru Robin's behalf unless made in writing and signed by an officer of Subaru Robin.

THIS WARRANTY, AND SUBARU ROBIN'S OBLIGATION HERE UNDER, ARE IN LIEU OF ANY OTHER WARRANTIES OR OBLIGATIONS OF ANY KIND, EXPRESSED OR IMPLIED, INCLUDING ANY WARRANTIES OF MERCHANTABILITY OR FITNESS FOR A PARTICULAR PURPOSE. THERE ARE NO WARRANTIES WHICH EXTEND BEYOND THE DESCRIPTION ON THE FACE HERE-OF. ROBIN AMERICA SHALL IN NO EVENT BE LIABLE FOR ANY CONSEQUENTIAL OR INCIDENTAL DAMAGES.

INSTRUCTIONS IMPORTANTES CONCERNANT LA SÉCURITÉ



AVERTISSEMENT :

Lire attentivement toutes les instructions. Le non-respect de toutes les instructions ci-dessous peut entraîner un choc électrique, un incendie et/ou une intoxication par le monoxyde de carbone, ce qui peut causer des blessures graves voire la mort.

LIRE TOUTES LES INSTRUCTIONS




- **Apprendre à connaître l'outil.** Lire attentivement le manuel d'utilisation. Apprendre les applications et les limites de l'outil, ainsi que les risques spécifiques relatifs à son utilisation.
- **Maintenir tous les dispositifs de protection en place** et en bon état de fonctionnement. Ne jamais utiliser l'outil avec des couvercles ou dispositifs de protection retirés. S'assurer que tous les dispositifs de protection fonctionnent correctement avant chaque utilisation.
- **Retirer les clés et outils de réglage.** Prendre l'habitude de vérifier que tous les outils et clés de réglage en ont été retirés de l'outil avant de le mettre en marche.
- **Pour réduire les risques de blessures,** garder les enfants et visiteurs à l'écart. Tous les visiteurs doivent porter des lunettes de sécurité et se tenir à bonne distance de la zone de travail.
- **Ne laisser personne approcher la zone de travail,** particulièrement les petits enfants et les animaux domestiques.
- **Ne pas faire tourner le moteur dans un espace confiné** où des vapeurs toxiques de monoxyde de carbone peuvent s'accumuler. Le monoxyde de carbone, un gaz incolore, inodore et extrêmement toxique peut causer une perte de conscience et être mortel.
- **Utiliser l'outil approprié.** Ne pas utiliser l'outil ou un accessoire pour effectuer un travail pour lequel il n'est pas conçu. Ne pas utiliser l'outil pour une application non prévue.
- **Porter une tenue appropriée.** Ne pas porter de vêtements amples, gants, cravate ou bijoux. Ces articles pourraient être happés et tirer la main ou une partie du corps dans les pièces en mouvement. Des gants en caoutchouc et des chaussures antidérapantes sont recommandées pour le travail à l'extérieur. Les cheveux longs doivent être ramassés sous un couvre-chef.
- **Ne pas faire fonctionner l'équipement pied-nu ou en portant des sandales ou des chaussures légères similaires.** Porter des chaussures de sécurité protégeant les pieds et améliorant l'équilibre sur des surfaces glissantes.
- **Faire preuve de prudence pour éviter de glisser ou tomber.**
- **Toujours porter une protection oculaire avec écrans latéraux certifiée conforme à la norme ANSI Z87.1.** Le respect de cette règle réduira les risques de blessures graves.
- **Ne pas travailler hors de portée ou se tenir sur une surface instable.** Toujours se tenir bien campé et en équilibre.
- **N'utiliser que les accessoires recommandés.** L'emploi de tout accessoire inadapté peut présenter un risque de blessure.
- **Suivre les instructions d'entretien spécifiées dans ce manuel.**
- **Vérifier l'état des pièces.** Avant d'utiliser l'outil de nouveau examiner soigneusement les pièces et dispositifs de protection qui semblent endommagés afin de déterminer s'ils fonctionnent correctement et s'ils remplissent les fonctions prévues. Vérifier l'alignement des pièces mobiles, s'assurer qu'aucune pièce n'est bloquée ou cassée, vérifier la fixation de chaque pièce et s'assurer qu'aucun autre problème ne risque d'affecter le bon fonctionnement de l'outil. Pour éviter les risques de blessures, toute protection ou pièce endommagée doit être correctement réparée ou remplacée dans un centre de réparations agréé.
- **Ne jamais laisser un outil en fonctionnement sans surveillance.** Ne pas s'éloigner de l'outil avant qu'il soit parvenu à un arrêt complet.
- **Garder le moteur dépourvu d'herbe, feuilles ou graisse** pour réduire le risque d'incendie.
- **Garder le tuyau d'échappement propre et exempt de débris.**
- **Suivre les recommandations du fabricant pour assurer la sécurité de chargement, déchargement, transport et remisage de la machine.**
- **Se familiariser complètement avec les commandes.** Veiller à savoir arrêter la machine et relâcher la pression rapidement.
- **Garder l'outil sec, propre et exempt d'huile ou de graisse.** Toujours utiliser un chiffon propre pour le nettoyage. Ne jamais utiliser de liquide de freins, d'essence ou de produits à base de pétrole pour nettoyer l'outil.
- **Rester vigilant et garder le contrôle.** Se montrer attentif et faire preuve de bon sens. Ne pas utiliser l'outil en état de fatigue. Ne pas se presser.
- **Ne pas utiliser cet outil sous l'influence de l'alcool, de drogues ou de médicaments.**
- **Examiner la zone de travail avant chaque utilisation.** La débarrasser de tous les objets tels que cailloux, verre brisé, clous, fils métalliques, cordes, etc. risquant d'être projetés ou de se prendre dans la machine.
- **Ne pas utiliser l'outil si le commutateur ne permet pas de l'arrêter.** Faire remplacer les commutateurs défectueux dans un centre de réparations agréé.
- **Avant de nettoyer, réparer ou inspecter,** couper le moteur et vérifier que toutes les pièces en mouvement sont arrêtées. Déconnecter le fil de bougie et garder le fil à l'écart de la bougie afin d'empêcher un démarrage accidentel.
- **Éviter les environnements dangereux.** Ne pas utiliser dans des endroits mouillés ou humides, ne pas exposer à la pluie. Garder le lieu de travail bien éclairé.
- **Ne jamais utiliser dans une atmosphère explosive.** Les étincelles normalement produites par le moteur pourraient enflammer les vapeurs.
- **Ne jamais utiliser en fumant ou à côté d'une flamme vive.**
- **Ne pas utiliser à proximité de** buissons secs, brindilles, chiffons ou autres matériaux inflammables.
- **AVERTISSEMENT : Risque d'injection ou de blessures** – ne pas diriger le jet directement vers quelqu'un.

RÈGLES DE SÉCURITÉ PARTICULIÈRES










- **Ne jamais diriger le jet d'eau vers des personnes, animaux domestiques ou dispositifs électriques.**
- **Avant de commencer toute opération de nettoyage,** fermer les portes et fenêtres. Débarrasser la zone à nettoyer de débris, jouets, meuble de jardin ou autres objets pouvant créer un danger.
- **Ne jamais ramasser ni porter la machine lorsque le moteur tourne.**
- **Ne jamais mettre la machine en marche** si de la glace s'est formée sur quelque partie que ce soit.
- **Ne pas utiliser de produits acides ou alcalins, de solvants, de matières inflammables ou de solutions de qualité industrielle** dans ce produit. Ces produits peuvent causer des blessures de l'opérateur et des dommages irréversibles de l'équipement.
- **Toujours utiliser la machine** sur une surface plane. Si le moteur est incliné, il peut se gripper à cause d'un graissage insuffisant (même au niveau maximum d'huile).
- **AVERTISSEMENT : Les jets à haute pression peuvent être dangereux s'ils sont utilisés incorrectement.** Le jet ne doit pas être dirigé vers des personnes, animaux, dispositifs électriques ou l'équipement lui-même.
- **Tenir la poignée et la lance fermement des deux mains.** L'utilisateur doit s'attendre à ce qu'en raison de la force de réaction, la poignée bouge lorsqu'il appuie sur la gâchette. Ne pas tenir compte de ce fait peut entraîner une perte de contrôle et entraîner des blessures pour lui et son entourage.
- **Ne jamais essayer de faire des réglages pendant que le moteur tourne** (sauf en cas de recommandations spécifiques du fabricant).
- **Les dispositifs de protection doivent toujours couvrir des pièces en rotation quand le moteur tourne.**
- **Garder l'entrée d'air** (lanceur à rappel) et le côté échappement du moteur au à au moins 3 pi (9 14 mm) des structures, obstacles et autres objets combustibles.
- **Garder le moteur à l'écart des articles inflammables et autres matières dangereuses.**
- **Rester à l'écart des pièces brûlantes.** L'échappement et d'autres pièces de moteur deviennent brûlantes, se montrer prudent.
- **Ne toucher ni la bougie, ni le câble d'allumage** lors du démarrage et du fonctionnement du moteur.
- **Vérifier le serrage des flexibles et raccords de carburant** et s'assurer de l'absence de fuites avant chaque utilisation.
- **Vérifier le serrage de la boulonnerie** avant chaque utilisation. Un boulon ou écrou desserré peut causer de sérieux problèmes de moteur.
- **Toujours effectuer l'approvisionnement en carburant à l'extérieur.** Ne jamais refaire le plein en intérieur ou dans un endroit insuffisamment ventilé.
- **Ne jamais remiser la machine avec du carburant dans le réservoir de carburant dans un local** où des sources d'allumage, telles que radiateurs à gaz et à eau chaude, les séchoirs à vêtements, etc., sont présentes.
- **Si le réservoir de carburant doit être vidé, le faire à l'extérieur.**
- **Manipuler le carburant avec précaution** pour éviter les risques d'incendies et de brûlures. Le carburant est extrêmement inflammable.
- **Ne pas fumer pendant la manipulation du carburant.**
- **Faire l'appoint de carburant avant de lancer le moteur.** Ne jamais retirer le couvercle du réservoir de carburant ni ajouter du carburant pendant que le moteur tourne ou quand le moteur est chaud.
- **Desserrer le bouchon du réservoir** lentement pour relâcher la pression et éviter que le carburant s'échappe.
- **Remettre en place tous les bouchons de conteneur et de réservoir de carburant et les serrer fermement.**
- **Essuyer tout le carburant éventuellement répandu.** S'éloigner de 9 m (30 pi) du point d'approvisionnement avant de lancer le moteur.
- **Si du carburant est renversé,** ne pas essayer de démarrer le moteur mais éloigner la machine de l'endroit et éviter de créer une source d'inflammation jusqu'à ce que les vapeurs de carburant se soient dissipées.
- **N'essayer en aucun cas de brûler le carburant répandu.**
- **Laisser le moteur refroidir avant de remiser l'outil.**
- **Remiser le carburant dans un endroit frais, bien aéré,** à l'écart d'étincelle et/ou d'appareils produisant des flammes.
- **Conserver le carburant dans des jerrycans spécialement conçus** à cet effet.
- **Pour le transport sur ou dans un véhicule,** le réservoir doit être vide et la machine bien arrimée.
- **Utiliser exclusivement des pièces identiques à celles d'origine pour les réparations.** L'usage de toute autre pièce pourrait créer une situation dangereuse ou endommager l'outil.
- **Ce produit est conçu pour fonctionner uniquement à l'eau froide.**
- **Veiller à garder une distance d'au moins 914 mm (3 pi)** des matériaux combustibles.
- **Ne jamais la pulvérisation proche à la surface** être nettoyée comme vous pouvez endommager la surface.
- **Après avoir arrêté le moteur, toujours presser la gâchette de la poignée à gâchette afin de libérer la pression retenue dans le tuyau haute pression.** Le non-respect de cet avertissement pourrait entraîner des blessures graves.
- **Pour l'utilisation à l'extérieur seulement.**
- **S'assurer que le tuyau flexible haute pression est branché correctement avant d'utiliser le produit.**
- **Conserver ces instructions.** Les consulter fréquemment et les utiliser pour instruire d'autres utilisateurs. Si cet outil est prêté, il doit être accompagné de ces instructions.

SYMBOLES

Les termes de mise en garde suivants et leur signification ont pour but d'expliquer le degré de risques associé à l'utilisation de ce produit.

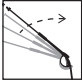


SYMBOLE	SIGNAL	SIGNIFICATION
	DANGER :	Indique une situation extrêmement dangereuse qui, si elle n'est pas évitée, aura pour conséquences des blessures graves, voire mortelles.
	AVERTISSEMENT :	Indique une situation potentiellement dangereuse qui, si elle n'est pas évitée, aura pour conséquences des blessures graves ou mortelles.
	ATTENTION :	Indique une situation potentiellement dangereuse qui, si elle n'est pas évitée, pourrait entraîner des blessures légères ou de gravité modérée.
	ATTENTION :	(Sans symbole d'alerte de sécurité) Indique une situation pouvant entraîner des dommages matériels.

Certains des symboles ci-dessous peuvent être présents sur l'outil. Veillez à les étudier et à apprendre leur signification. Une interprétation correcte de ces symboles permettra d'utiliser l'outil plus efficacement et de réduire les risques.

SYMBOLE	NOM	DÉSIGNATION / EXPLICATION
	Symbole d'alerte de sécurité	Indique un risque de blessure potentiel.
	Lire manuel d'utilisation	Pour réduire les risques de blessures, l'utilisateur doit lire et veiller à bien comprendre le manuel d'utilisation avant d'utiliser ce produit.
	Protection oculaire	Toujours porter une protection oculaire certifiée conforme à la norme ANSI Z87.1.
	Avertissement concernant l'humidité	Ne pas exposer à la pluie ou l'humidité.
	Surface brûlante	Pour réduire les risques de blessures ou de dommages, éviter tout contact avec les surfaces brûlantes.
	Risque d'injection	Pour réduire les risques d'injection ou de blessures, ne jamais diriger le jet directement vers des enfants ou animaux domestiques et ne placer aucune partie du corps sur la trajectoire du jet. Les fuites aux flexibles et raccords peuvent également entraîner des blessures. Ne pas tenir des flexibles ou raccords.
	Risque d'explosion	Le carburant et ses vapeurs sont explosifs et peuvent entraîner des brûlures graves ou mortelles.
	Risque d'incendie	Le carburant et ses vapeurs sont extrêmement inflammables et explosifs. Le feu peut entraîner des brûlures graves ou mortelles.
	Vapeurs toxiques	Les dérivés du pétrole dégagent du monoxyde de carbone, un gaz toxique inodore et incolore. L'inhalation du monoxyde de carbone peut entraîner des nausées, des évanouissements ou être mortelle.

SYMBOLES

Certains des symboles ci-dessous peuvent être présents sur l'outil. Veiller à les étudier et à apprendre leur signification. Une interprétation correcte de ces symboles permettra d'utiliser l'outil plus efficacement et de réduire les risques.

SYMBOLE	NOM	DÉSIGNATION / EXPLICATION
	Rebond	Pour réduire le risque de blessure suite à un rebond, tenir la lance fermement à deux mains lorsque la machine est en fonctionnement.
	Choc électrique	Ne pas utiliser la machine dans un endroit sec ou ne pas respecter les pratiques de sécurité peut entraîner un choc électrique.
	Brûlures chimiques	Pour réduire les risques de blessures ou de dommages matériels, NE PAS UTILISER DE PRODUITS ACIDES, ALCALINS OU JAVÉLISÉS, NI DE SUBSTANCES INFLAMMABLES OU DE SOLUTIONS DE QUALITÉ INDUSTRIELLE dans ce produit.

CARACTÉRISTIQUES

FICHE TECHNIQUE

Contenance du réservoir de carburant	0,83 litres (0,22 gal)
Contenance en huile.....	0,59 litres (20 oz.)
Pression maximum en livres par pouce carré/Kpa*	18 617 kPa (2 700 psi)
Débit maximum par minute*.....	9,08 LPM (2,4 gpm)
Température maximum d'eau d'arrivée.....	40 °C (104 °F)

*Maximum évaluant résolu par la norme de PWMA 101

APPRENDRE À CONNAÎTRE LE NETTOYEUR HAUTE PRESSION

Voir la figure 1.

La sécurité d'utilisation de ce produit exige la compréhension des informations apposées sur le produit et contenues dans ce manuel d'utilisation, ainsi que la connaissance du travail à exécuter. Avant d'utiliser ce produit, se familiariser avec toutes ses fonctions et règles de sécurité.

LA BUSE À PERMUTATION 5 EN 1

La buse à permutation 5 en 1 permet de changer facilement la forme du jet.

RÉSERVOIR DE CARBURANT

La contenance maximum de ce réservoir de carburant est de 0,83 litres (0,22 gal). Utiliser de l'essence sans plomb.

ROBINET DE CARBURANT

Le robinet de carburant doit être ouvert pour que démarre le moteur et doit toujours être fermé avant le remisage de l'équipement.

RANGEMENT DE FLEXIBLES

Une fois le tuyau haute pression enroulé, l'accrocher sur le dos de la machine utilisant l'allongement sangle pour obtenir à sa place.

COMMUTATEUR D'ARRÊT ET DÉMARRAGE

Le commutateur d'arrêt et démarrage est utilisé dans la combinaison avec le manchon en poignée du lanceur et corde pour commencer le moteur. Il est aussi utilisé pour arrêter le moteur.

POIGNÉE DU LANCEUR ET CORDE

Tirer sur le lanceur pour mettre le moteur en marche.

PARE-ÉTINCELLES

Ce moteur n'est pas équipé d'un pare-étincelles monté en usine. Dans certaines régions, il est interdit d'utiliser un moteur sans pare-étincelles. Un pare-étincelles est disponible en appelant le service après-vente.

SOUPAPE DE SUPPRESSION THERMIQUE

Ce dispositif de la pompe empêche que la température de l'eau atteigne un niveau dangereux en relâchant une petite quantité d'eau par un flexible en caoutchouc. Une fois l'eau écoulée, la soupape se réarme automatiquement.

POIGNÉE DE GÂCHETTE

La poignée de gâchette est dotée d'une surface de prise permettant de mieux la contrôler et de réduire la fatigue.

GÂCHETTE AVEC VERROUILLAGE

Appuyer sur la gâchette pour produire un jet d'eau à haute pression pour le nettoyage. Le verrouillage constitue une protection contre toute utilisation non autorisée.

TOOLS NEEDED

Les outils suivants (non inclus ou dessiné pour escalader) sont nécessaires pour effectuer l'assemblage :

Voir la figure 1a.

- Clé mixte de 7/16 po
- Tournevis phillips

ASSEMBLAGE

DÉBALLAGE

Ce produit doit être assemblé.

- Avec précaution, couper les côtés du carton, puis en sortir la machine et les accessoires. S'assurer que toutes les pièces indiquées sur la liste de contrôle sont incluses.



AVERTISSEMENT :

Ne pas utiliser le produit si, en le déballant, vous constatez que des éléments figurant dans la liste d'expédition sont déjà assemblés. Certaines pièces figurant sur cette liste n'ont pas été assemblées par le fabricant et exigent une installation. Le fait d'utiliser un produit qui a été assemblé de façon inadéquate peut entraîner des blessures.

NOTE : Cet outil est lourd. Pour éviter des problèmes lombaires soulever avec les jambes, pas avec le dos et demander de l'aide lorsque nécessaire.

- Examiner soigneusement l'outil pour s'assurer que rien n'a été brisé ou endommagé en cours de transport.
- Ne pas jeter les matériaux d'emballage avant d'avoir soigneusement examiné l'outil et avoir vérifié qu'il fonctionne correctement.
- Si des pièces sont manquantes ou endommagées, appeler le 1-800-242-4672.

ASSEMBLAGE

LISTE DE CONTRÔLE

Nettoyeur haute pression
Tuyau haute pression de 7,6 m (25 pi)
Support de la poignée à gâchette
Poignée de gâchette
Vis (1/4-20 x 1,65 po, à tête bombée)
Vis (1/4-20 x 1,85 po, à tête bombée)
Vis (1/4-20 x 2,27 po, à tête bombée)
Lance de pulvérisation
Buse à permutation 5 en 1
Flexible d'injection avec filtre
Roue
Lubrifiant moteur 4 temps (SAE30 ou SAE 10W30)
Rangement de flexibles
Manuel d'utilisation

AVERTISSEMENT :

Si des pièces manquent ou sont endommagées, ne pas utiliser ce produit avant qu'elles aient été remplacées. Le fait d'utiliser ce produit même s'il contient des pièces endommagées ou s'il lui manque des pièces peut entraîner des blessures graves.

AVERTISSEMENT :

Ne pas essayer de modifier ce produit ou de créer des accessoires non recommandés pour ce produit. De telles altérations ou modifications sont considérées comme un usage abusif et peuvent créer des conditions dangereuses, risquant d'entraîner des blessures graves.

AVERTISSEMENT :

Pour empêcher un démarrage accidentel pouvant entraîner des blessures graves, toujours déconnecter le fil de bougie de moteur de la bougie d'allumage avant d'assembler des pièces.

RÉLEVER ET ABAISSER LA POIGNÉE

Voir la figure 2.

- Relèvement de la poignée (transporter la machine) : tirer sur le manche pour engager le bouton de la poignée dans la fente pour le verrouiller en place. S'assurer que le verrou est solidement enclenché dans le trou du cadre avant de déplacer l'appareil.
- Pour abaisser la poignée (pour entreposer ou transporter la laveuse à pression) : tirer le bouton de relâchement vers l'extérieur et abaisser la poignée.

NOTE : Il n'est pas possible de verrouiller la poignée en position abaissée.

Ne jamais utiliser la poignée pour soulever la laveuse à pression. La poignée ne doit servir que pour déplacer l'unité sur ses roues au moment du transport.

INSTALLATION DU RANGEMENT DU TUYAU FLEXIBLE, DU SUPPORT DE LA POIGNÉE À GÂCHETTE ET DU SUPPORT DE LA LANCE D'ARROSAGE

Voir la figures 3 - 4.

- Relever la poignée tel que décrit à la section « **Rélever et Abaisser la Poignée** ».
- Placer le rangement de flexibles sur la poignée comme illustré.
- Aligner le trou de la rangement de flexibles avec le trou dans la poignée.
- Insérer le vis (1/4-20 x 1,65 po) dans les trous se trouvant du côté gauche de la poignée et dans le compartiment de rangement du tuyau.
- Visser l'écrou sur le boulon.
- Placer le support de la poignée à gâchette sur la poignée comme illustré.
- Aligner le trou de la support de la poignée à gâchette avec le trou dans la rangement de flexibles et la poignée.
- Insérer le deuxième vis (1/4-20 x 2,27 in.) dans les trous de la poignée, du compartiment de rangement du tuyau et du support de la poignée à gâchette.
- Tourner le boulon en maintenant l'écrou en place pour le serrer et le fixer.
- Placer le support de la lance d'arrosage sur la cadre.
- Aligner le trou de la support de la lance d'arrosage avec le trou dans la cadre.
- Insérer le vis (1/4-20 x 1,85 in.) dans les trous de la support de la lance d'arrosage et la cadre.
- Placer un écrou sur la vis et serrer.

ASSEMBLAGE DE LA LANCE EN POSITION DE POIGNÉE DE GÂCHETTE

Voir la figure 5.

- Engager l'extrémité fileté de la lance de pulvérisation dans le connecteur de la poignée de gâchette.
- Tourner le connecteur à fond vers la droite. Ceci assujettit la lance de pulvérisation.

BRANCHEMENT DU FLEXIBLE HAUTE PRESSION SUR DE LA POIGNÉE DE GÂCHETTE

Voir la figure 6.

- Visser le collier du flexible sur le raccord de la poignée de gâchette en le tournant vers la droite.
- Tirer sur le tuyau pour s'assurer qu'il est correctement bloqué.

ASSEMBLAGE

CONNEXION DU FLEXIBLE HAUTE PRESSION SUR LA POMPE

Voir la figure 7.

Une fois le flexible haute pression déroulé et connecté à la lance :

- Aligner le collier sur le téton fileté de la pompe.
- Insérer l'extrémité du collier du flexible haute pression dans le téton fileté.
- Tourner le collier vers la droite et le serrer fermement sur la pompe.
- Tirer sur le tuyau pour s'assurer qu'il est solidement assujéti.

ATTENTION :

Ne pas faire fonctionner la pompe de la laveuse à pression sans que l'arrivée d'eau soit branchée et ouverte, car cela pourrait endommager les joints d'étanchéité haute pression et réduire la durée de vie utile de la pompe. Dérouler complètement le tuyau de son dévidoir ou de sa bobine et s'assurer qu'il ne se coince pas sous les pneus, sur des roches ou dans tout autre objet susceptible de couper ou de réduire l'alimentation en eau de la laveuse à pression.

CONNEXION DU TUYAU D'ARROSAGE AU NETTOYEUR HAUTE PRESSION

Voir la figure 8.

ATTENTION :

Toujours respecter tous les règlements locaux au moment de brancher les tuyaux flexibles à l'alimentation principale en eau. Dans certaines régions, l'unité ne doit pas être reliée directement à l'alimentation publique en eau potable pour éviter que des produits chimiques affectent le système. Un raccordement direct est généralement permis si une bêche de récupération ou un dispositif anti-éflolement est utilisé.

L'alimentation en eau doit provenir d'une conduite principale d'alimentation en eau. Ne JAMAIS utiliser l'eau chaude ou l'eau des piscines, lacs, etc. Avant de connecter le tuyau d'arrosage au nettoyeur haute pression :

- Faire circuler l'eau dans le flexible pendant 30 secondes pour le débarrasser des débris.
- Inspecter le tamis dans l'arrivée d'eau.
- Si le tamis est endommagé, ne pas utiliser l'équipement avant d'avoir remplacé le tamis.
- Si le tamis est sale, le nettoyer avant de connecter le tuyau d'arrosage à l'équipement.

Pour connecter le tuyau d'arrosage à l'équipement :

- Dérouler le tuyau d'arrosage.

NOTE : Il doit y avoir un minimum de 3 m (10 pi) de tuyau entre l'admission du nettoyeur haute pression et le robinet de tuyau ou le robinet de sectionnement (comme un connecteur de sectionnement en « Y »).

- Le robinet de tuyau étant complètement fermé, fixer l'extrémité du tuyau d'arrosage sur l'arrivée d'eau. Serrer à la main.

INSTALLATION DU TUYAU D'INJECTION

Voir la figure 9 - 10.

Le flexible d'injection doit être installé avant de pouvoir utiliser du détergent dans la machine.

- Pousser l'extrémité ouverte du tuyau d'injection transparent solidement par-dessus le raccord situé à l'arrière de l'unité.

NOTE : Garder le tuyau d'injection loin des surfaces chaudes en poussant le tuyaux dans le agrafe dans le cadre.

- Retirer la casquette de réservoir de détergent.
- Retirer le filtre du tuyau d'injection.
- Sommet de la casquette, glisser le coulisse e flexible d'injection par le trou dans la casquette.
- Poussez le filtre à d'injection transparent sur la fin de le flexible d'injection et tirer assez de tuyau par la casquette si le filtre à d'injection transparent se reposera au fond du réservoir de détergent.
- Remplacement le couchon réservoir de détergent.

UTILISATION

AVERTISSEMENT :

Ne pas laisser la familiarité avec l'outil faire oublier la prudence. Ne pas oublier qu'une fraction de seconde d'inattention peut entraîner des blessures graves.

AVERTISSEMENT :

Toujours porter une protection oculaire avec écrans latéraux certifiée conforme à la norme ANSI Z87.1. Si cette précaution n'est pas prise, des objets peuvent être projetés dans les yeux et causer des lésions graves.

AVERTISSEMENT :

Ne pas utiliser d'outils ou accessoires non recommandés par le fabricant pour cet outil. L'utilisation de pièces et accessoires non recommandés peut entraîner des blessures graves.

AVERTISSEMENT :

Ne jamais diriger le jet d'eau vers des personnes, animaux domestiques ou dispositifs électriques. Le non-respect de cet avertissement pourrait entraîner des blessures graves.

UTILISATION

APPLICATIONS

Ce produit peut être utilisé pour les applications suivantes :

- Enlever la saleté et les moisissures des terrasses, patios en ciment et parements de maison
- Nettoyage de bateaux, motos, meubles de jardins et grills

AJOUT/VÉRIFICATION DE LUBRIFIANT

Voir la figure 11.

NOTE : Cet équipement a été expédié avec environ 2 oz lubrifiant dans le moteur, résultant des essais. **Faire l'appoint lubrifiant moteur avant le premier démarrage.**

ATTENTION :

Toute tentative de démarrage du moteur sans avoir fait l'appoint lubrifiant entraînera une défaillance.

- Poser le nettoyeur haute pression sur une surface plane et horizontale.
- Dévisser le bouchon / jauge d'huile en le tournant dans le sens inverse des aiguilles d'une montre.
- Ajouter de l'huile pour moteur quatre temps (SAE 30 ou SAE 10W30) ajouter de l'huile pour moteur jusqu'à ce que le niveau atteigne le haut de la section hachurée de la jauge (18 oz. d'huile pour moteur quatre temps fournis). **Ne pas remplir à l'excès.**
- Remettre le bouchon / jauge d'huile en place et le serrer fermement.

NOTE : La contenance en lubrifiant de ce moteur est de 0,6 litres (20 oz.)

CARBURANTS OXYGÉNÉS

NE PAS UTILISER LE CARBURANT E85. LE NON-RESPECT DE CETTE DIRECTIVE ENTRAÎNE L'ANNULATION DE LA GARANTIE.

NOTE : Les dommages au circuit de carburant et les problèmes de performance résultant de l'utilisation de carburant oxygéné contenant des pourcentages de composants oxygénés supérieurs à ceux indiqués ci-dessous **ne sont pas couverts par la garantie.**

Éthanol. L'essence contenant jusqu'à 10 % d'éthanol par volume (généralement désignée E10) est acceptable. L'essence désignée E85 ne l'est pas.

APPOINT D'ESSENCE

Voir la figure 12.

AVERTISSEMENT :

L'essence et ses vapeurs sont extrêmement inflammables et explosives. Pour éviter blessures et dommages matériels, manipuler l'essence avec prudence. Garder à l'écart des sources d'allumage, manipuler en plein air uniquement, ne pas fumer lors de l'appoint de carburant et essuyer immédiatement tout carburant répandu.

Lors de l'appoint de carburant du nettoyeur haute pression, vérifier que la machine se trouve sur une surface plane et horizontale. Si le moteur est très chaud, laisser le nettoyeur haute pression refroidir avant d'ajouter de l'essence. Toujours faire l'appoint de carburant à l'extérieur à la machine éteinte.

NOTE : Utiliser exclusivement de l'essence sans plomb. NE PAS mélanger lubrifiant et l'essence.

- Avant de retirer le bouchon du réservoir d'essence, nettoyer son pourtour. Retirer le bouchon du réservoir de carburant.
- Insérer un entonnoir propre dans le réservoir et verser le carburant lentement. Remplir le réservoir jusqu'à environ 40 mm (1-1/2 po) au dessous du bord de la goulotte de remplissage (pour permettre la dilatation du carburant).
- Remettre le bouchon d'essence en place et le serrer jusqu'à ce qu'il « s'enclenche ».
- Essuyer tout carburant répandu avant de lancer le moteur.

AVERTISSEMENT :

Toujours arrêter le moteur avant l'approvisionnement en carburant. Ne jamais remplir le réservoir d'une machine lorsque le moteur tourne ou est chaud. S'éloigner d'au moins 9 m (30 pi) du point d'approvisionnement avant de lancer le moteur. Ne pas fumer et éviter les flammes nues ! Le non-respect de ces instructions pourrait entraîner des blessures graves.

UTILISATION

MISE EN MARCHÉ / ARRÊT DU NETTOYEUR HAUTE PRESSION

Voir les figures 13 - 14.

ATTENTION :

Ne pas faire fonctionner la pompe de la laveuse à pression sans que l'arrivée d'eau soit branchée et ouverte, car cela pourrait endommager les joints d'étanchéité haute pression et réduire la durée de vie utile de la pompe. Dérouler complètement le tuyau de son dévidoir ou de sa bobine et s'assurer qu'il ne se coince pas sous les pneus, sur des roches ou dans tout autre objet susceptible de couper ou de réduire l'alimentation en eau de la laveuse à pression.

Avant de lancer le moteur :

- Connecter tous les flexibles.
- Vérifier les niveaux de liquides (lubrifiant et carburant).
- Ouvrir l'eau du tuyau d'arrosage et appuyer sur la gâchette pour purger l'air. Continuer d'appuyer sur la gâchette jusqu'à ce que l'eau s'écoule régulièrement.

Lancement du moteur :

- Ouvrir le robinet de carburant en position ON (MARCHÉ).
- Régler le commutateur d'arrêt/démarrage en position ON (MARCHÉ).
- Pousser l'étrangleur en position « START » (démarrage).
- Saisir la poignée du lanceur et corde et le tirer lentement jusqu'à ressentir une certaine résistance. Tirer d'un coup sec sur le lanceur afin de faire démarrer le moteur.

NOTE : Ne pas lâcher la poignée du lanceur et corde brusquement après le démarrage. Le remettre en douceur à sa position d'origine.

ATTENTION :

Si le moteur ne démarre pas après traction du poignée du lanceur et corde de démarrage, appuyer sur la gâchette pour libérer la pression d'eau avant de tenter de redémarrer.

- Laisser le moteur tourner pendant quelques secondes, puis, glisser graduellement le levier de l'étrangleur complètement à la position « RUN » (marche).

Arrêt du moteur :

- Régler le commutateur d'arrêt/démarrage en position OFF (ARRÊT).
- Ouvrir le robinet de carburant en position OFF (ARRÊT).
- Fermer l'arrivée d'eau et appuyer sur la gâchette pour libérer la pression d'air.

AVERTISSEMENT :

Tenir la poignée fermement à deux mains. S'attendre à ce que la poignée de gâchette bouge lorsque la détente est appuyée en raison des forces de réaction. Le non-respect de cet avertissement peut entraîner une perte de contrôle et provoquer des blessures à soi et à des tiers.

FONCTIONNEMENT POIGNÉE DE GÂCHETTE

Voir la figure 15.

- Appuyer sur la gâchette et la maintenir enfoncée pour actionner le nettoyeur haute pression.
- Relâcher la gâchette pour arrêter le jet d'eau de la buse.

Pour engager le verrouillage :

- Appuyer sur le bouton de verrouillage jusqu'à ce qu'il s'enclenche dans la fente.

Pour désengager le verrouillage :

- Appuyer sur le bouton de verrouillage pour le mettre dans sa position originale.

Pour une efficacité maximum, la buse doit être tenue à une distance de 203 à 610 mm (8 à 24 po) de la surface à nettoyer. Si la buse est trop proche, le jet peut endommager la surface.

INSTALLATION/RETRAIT DES BUSES

Voir la figure 16.



AVERTISSEMENT :

NE JAMAIS changer de buse ou modifier le jet de pulvérisation sans d'abord verrouiller le dispositif de verrouillage sur la poignée de gâchette et ne jamais pointer la lance en direction du visage ou d'autres personnes. Le dispositif de raccord rapide contient de petits ressorts qui peuvent éjecter la buse avec force. Le non-respect de cette précaution peut entraîner des blessures.

Le collier de raccord rapide facilite le placement de la buse.

Pour installer une buse sur la poignée de gâchette :

- Arrêter le nettoyeur et fermer l'arrivée d'eau. Appuyer sur la gâchette pour relâcher la pression d'eau.
- Verrouiller la poignée de gâchette en poussant sur le bouton de verrouillage jusqu'à ce qu'il s'engage dans la fente.
- Engager la buse sur le raccord rapide de la lance et veillant à ce qu'elle s'enclenche correctement.

Pour retirer une buse de la poignée de gâchette une fois le nettoyage terminé :



- Arrêter le nettoyeur et fermer l'arrivée d'eau. Appuyer sur la gâchette pour relâcher la pression d'eau.
- Verrouiller la poignée de gâchette en poussant sur le bouton de verrouillage jusqu'à ce qu'il s'engage dans la fente.
- Retirer la buse en plaçant sa main au dessus de la buse puis en tirant la collier à connexion rapide vers l'arrière.

UTILISATION

UTILISATION DE LA BUSE À PERMUTATION 5 EN 1

Voir la figure 17.

La buse à permutation 5 en 1 offre cinq formes de jet différentes. Pour choisir une forme de jet, tourner le sélecteur de jets jusqu'au réglage désiré.

Buse	Application
0°	<p>Idéal pour nettoyer les taches situées dans les endroits en hauteur et difficiles d'accès</p> <ul style="list-style-type: none">• Pour retirer l'accumulation de boue sur l'équipement lourd de ferme, de construction ou d'entretien des pelouses• Pour enlever le goudron, la colle ou les taches tenaces sur le béton• Pour nettoyer les surfaces en surplomb• Pour enlever la rouille de l'acier et l'oxydation de l'aluminium
25°	<p>Pour une utilisation générale ou sur les grandes surfaces</p> <ul style="list-style-type: none">• Pour enlever la saleté et la boue• Pour nettoyer les toits, les gouttières et les tuyaux de descente pluviale• Pour enlever les taches légères de moisissure• Pour retirer les algues et les bactéries accumulées sur les parois des piscines• Pour rincer les surfaces avant de les peindre
40°	<p>Pour un rinçage à large portée</p> <ul style="list-style-type: none">• Pour un nettoyage et un lavage en douceur;• Pour laver et rincer les surfaces peintes et les bateaux;• Pour nettoyer les toits, les fenêtres, les patios et les entrées pavées.
 Short Range Detergent	<p>Pour les applications à longue portée avec des détergents</p> <ul style="list-style-type: none">• Conçue pour les entrées pavées, les allées, les terrasses, les patios, les véhicules, les clôtures, le nettoyage avant peinture, le mobilier de patios et l'équipement de pelouse.
 Long Range Detergent	<p>Pour les applications à courte portée avec des détergents</p> <ul style="list-style-type: none">• Nettoyage à longue portée

UTILISATION DU TUYAU HAUTE PRESSION

Le tuyau haute pression comprend un revêtement extérieur qui permet de renforcer le tuyau. Si le revêtement extérieur est endommagé, il faut remplacer immédiatement le tuyau. **Ne pas utiliser le tuyau haute pression si le revêtement extérieur est endommagé.**

Pour éviter d'endommager le revêtement extérieur :

- Examiner le tuyau avant chaque utilisation.
- Dérouler complètement le tuyau et le raidir avant l'utilisation.
- Ne pas laisser le tuyau haute pression s'entortiller.

- Tenir le tuyau à l'écart des surfaces chaudes et des rebords tranchants.
- Ne pas tirer l'unité par le tuyau haute pression.
- Ne pas laisser le tuyau s'écraser ou s'enrouler autour des objets.

NETTOYAGE AVEC DU DÉTERGENT

Voir les figures 18 et 19.

Utiliser uniquement des détergents conçus pour les nettoyeurs haute pression ; les produits ménagers, les acides, alcalines, agents de blanchiment, solvants, les produits inflammables, ou les solutions qualité industrielle pourraient endommager la pompe. De nombreux détergents ou produits chimiques doivent être mélangés avant l'emploi. Préparer la solution de nettoyage selon les instructions du flacon de solution.

- Enlever la capuchon d'une bouteille détergente et verser le détergent dans le réservoir. Remettre le capuchon de réservoir.
- Tourner le sélecteur de jets de la buse à permutation 5 en 1 de manière à régler l'outil pour effectuer des applications à courte [♥] ou à longue [♣] portée avec des détergents.
- Pulvériser le détergent sur une surface sèche à l'aide de mouvements longs, uniformes, se chevauchant. Pour éviter de laisser des marques, ne pas laisser le détergent sécher sur la surface.

NOTE : Pour utiliser une bouteille détergente, verrouillée la bouteille utilisant l'à-tendeur élastique. Enlever la casquette de la réservoir détergente. Positionner le tuyau d'injection au fond du seau de la bouteille. Tourner le cadran à la droite (bouteille de devant).

Pour le application détergente long de gamme :

Tourner le sélecteur de jets de manière à régler l'outil pour effectuer des applications à longue portée [♣] avec des détergents lorsque la buse est installée sur la lance d'arrosage et le moteur éteint.

Pour le application détergente de gamme court :

Tourner le sélecteur de jets de manière à régler l'outil pour effectuer des applications à courte portée [♥] avec des détergents lorsque la buse est installée sur la lance d'arrosage et le moteur éteint.

Avant d'arrêter le moteur :

- Placer le flexible d'injection dans un seau d'eau propre.
- Rincer pendant 1 à 2 minutes (pulvériser de l'eau propre avec la lancette).
- Arrêter le moteur.

NOTE : Couper le moteur [commutateur en position **OFF (O)**] ne relâche pas la pression du système. Tirer sur la gâchette pour relâcher la pression d'eau.

RINÇAGE AVEC LE NETTOYEUR HAUTE PRESSION

- Arrêter le nettoyeur et fermer l'arrivée d'eau. Appuyer sur la gâchette pour relâcher la pression d'eau.
- Verrouiller la poignée de gâchette en poussant sur le bouton de verrouillage jusqu'à ce qu'il s'engage dans la fente.
- Tourner le sélecteur de jets de la buse à permutation 5 en 1 vers le réglage [40°], [25°] ou [0°], selon le type d'application.

UTILISATION

Consulter le tableau se trouvant à la section intitulée Utilisation de la buse à permutation 5 en 1 pour déterminer le réglage qui convient à l'application en question.

- Avant d'utiliser ces réglages, faire d'abord un essai sur une petite zone pour éviter d'endommager la surface.
- Commencer en haut de la zone à rincer et continuer vers le bas en faisant chevaucher les passes.

DÉPLACEMENT DU NETTOYEUR HAUTE PRESSION

Voir la figure 20.

NOTE : Ne jamais soulever ou transporter la machine avec la poignée et ne jamais placer l'unité dans une position autre qu'à la verticale sur ses roues.

- Arrêter le nettoyeur et ouvrir le robinet de carburant en position de arrêt.

- Tirer la poignée vers le haut jusqu'à ce que le bouton de relâchement de la poignée s'enclenche en position de verrouillage (si celle-ci n'est pas déjà relevée et verrouillée). S'assurer que le verrou est solidement enclenché dans le trou du cadre avant de déplacer l'appareil.
- Incliner la machine vers soi, jusqu'à ce qu'elle soit en équilibre sur les roues, puis rouler la machine à l'endroit désiré.

Pour un entreposage à long terme, consulter Entreposage de la laveuse à pression dans la section Entretien du présent manuel.

ENTRETIEN

AVERTISSEMENT :

Utiliser exclusivement des pièces identiques à celles d'origine pour les réparations. L'usage de toute autre pièce pourrait créer une situation dangereuse ou endommager l'outil.

AVERTISSEMENT :

Toujours porter une protection oculaire avec écrans latéraux certifiée conforme à la norme ANSI Z87.1. Si cette précaution n'est pas prise, des objets peuvent être projetés dans les yeux et causer des lésions graves.

AVERTISSEMENT :

Avant d'inspecter, nettoyer ou entretenir l'équipement, couper le moteur, attendre que toutes les pièces en mouvement s'arrêtent, déconnecter le fil de la bougie et l'écartier de la bougie. Le non-respect de ces instructions peut entraîner des blessures graves ou des dégâts matériels.

AVERTISSEMENT :

Ne jamais laisser de liquides tels que le fluide de freins, l'essence, les produits à base de pétrole, les huiles pénétrantes, etc., entrer en contact avec les pièces en plastique. Les produits chimiques peuvent endommager, affaiblir ou détruire le plastique, ce qui peut entraîner des blessures graves.

Seules les pièces figurant sur la liste de contrôle sont conçues pour être réparées ou remplacées par l'utilisateur. Toutes les autres pièces doivent être remplacées dans un centre de réparations agréé.

Avant de lancer le moteur, prendre les précautions suivantes :

- Vérifier que tous les boulons, écrous, etc. sont bien serrés.
- S'assurer que le filtre à air est propre.
- Vérifier les niveaux d'huile moteur et de carburant ; faire l'appoint selon le besoin.
- Regarder si le lieu de travail présente des dangers.
- En cas de vibrations ou bruits excessifs arrêter immédiatement la machine.

ENTRETIEN GÉNÉRAL

Éviter d'utiliser des solvants pour le nettoyage des pièces en plastique. La plupart des matières plastiques peuvent être endommagées par divers types de solvants du commerce. Utiliser un chiffon propre pour éliminer la saleté, la poussière, l'huile, la graisse, etc.

ENTRETIEN

ENTRETIEN DE BUSE

Voir la figure 21.

Une pression de pompe excessive (sensation d'impulsion au serrage de la gâchette) peut être le résultat d'une buse bouchée ou sale.

- Arrêter le nettoyeur et fermer l'arrivée d'eau. Appuyer sur la gâchette pour relâcher la pression d'eau.
- Retirer la buse de la lance de pulvérisation.
NOTE : Ne jamais diriger la lance de pulvérisation vers le visage.
- À l'aide d'un trombone droit ou d'un outil pour nettoyer les buses (non fourni), retirer toute matière étrangère engorgeant ou obstruant la buse.
- À l'aide d'un tuyau d'arrosage, rincer les débris de la buse en rinçant à l'envers (en dirigeant le jet de l'extérieur vers l'intérieur).
- Reconnecter la buse sur la lancette.
- Ouvrir l'arrivée d'eau et démarrer le moteur.

NETTOYAGE DU FILTRE À AIR

Voir la figure 22.

Un filtre à air encrassé peut entraîner des difficultés de démarrage, une réduction des performances et raccourcir la vie utile du moteur. Vérifier le filtre à air chaque mois. Pour obtenir un fonctionnement optimal, remplacer le filtre à air au moins une fois par an.

- Pousser la languette du couvercle du filtre à air pour ouvrir et retirer le couvercle du filtre à air.
- Avec précaution, soulever le bord du filtre à air et le tirer.
- Nettoyer le filtre à air avec de l'eau savonneuse tiède.
- Rincer et essorer pour sécher.
NOTE : S'assurer que le filtre est correctement positionné dans le couvercle. Une installation incorrecte du filtre laisse la saleté entrer dans le moteur, entraînant une usure rapide.
- Remettre le couvercle du filtre à air en place.

VÉRIFICATION D'UNE BOUGIE

Voir la figure 23.

- Nettoyer la surface située autour de la base de la bougie d'allumage avant de retirer cette dernière pour garder le moteur exempt de poussière et de débris. Retirer la bougie.
- Nettoyer les dépôts de carbone se trouvant sur l'électrode de la bougie à l'aide d'un nettoyeur-bougie ou d'une brosse métallique. Remplacer la bougie si elle est usée. (Bougie recommandée : modèle : NGK BPRGE5 ou l'équivalent.)

- Vérifier l'écartement des pointes d'électrode. Il doit mesurer entre 0,7 mm (0,028 po) et 0,8 mm (0,032 po). Ajuster l'écartement au besoin en pliant avec précaution l'électrode de mise à la terre.
- Réinstaller la bougie. Serrer fermement.

CHANGEMENT HUILE DE MOTEUR

Voir la figure 24.

- Arrêter le moteur.
- Nettoyer la surface située autour du bouchon/jauge du réservoir d'huile, puis le retirer.
- Incliner la laveuse à pression sur le côté tel qu'il est illustré. Vider l'huile dans un contenant approuvé à cet effet.
NOTE : Vidanger l'huile pendant que le moteur est encore tiède mais pas brûlant. Huile tiède s'écoule plus rapidement et plus complètement.
- Lorsque le carter est complètement vide, remettre la laveuse à pression en position verticale.
- Remplir le réservoir d'huile en suivant les instructions décrites précédemment à la section intitulée **Ajouter de l'huile** dans le moteur du présent manuel.

NOTE: Consulter les réglementations locales de traitement des déchets dangereux pour l'élimination du carburant.

LUBRIFICATION DU POMPE

La pompe de cet outil sont enduits d'une quantité suffisante de lubrifiant de haute qualité pour la durée de vie de l'outil, dans des conditions d'utilisation normales. Aucune autre lubrification n'est donc nécessaire.

REMISAGE DU NETTOYEUR HAUTE PRESSION

Voir la figure 25.

Ranger le nettoyeur à haute pression après avoir soit brûlé tout le carburant en laissant tourner le moteur. Laisser la machine refroidir pendant environ 30 minutes avant de la remiser. Ne jamais entposer l'unité dans une position autre qu'à la verticale sur ses roues.

Remiser la machine dans un endroit sec à l'abri des intempéries.

Il est important de remiser ce produit à l'abri du gel. Toujours vider l'eau de tous les flexibles, de la pompe, du réservoir de carburant et du réservoir de détergent avant de remiser l'équipement.

NOTE : L'utilisation d'un stabilisateur de carburant et économiseur de pompe assure une meilleure performance et augmente la durabilité de l'équipement.

Carburant de décharge :

Ranger le nettoyeur à haute pression après avoir brûlé tout le carburant en laissant tourner le moteur. L'essence stockée peut s'évaporer en 30 jours.

ENTRETIEN

Huile moteur :

Vider huile et la remplacer par de huile fraîche et propre.

Bougie :

- Déconnecter le fil de bougie et retirer la bougie. Verser environ une cuillère à thé huile propre pour moteur quatre temps refroidi par air, par le trou de bougie, dans la chambre de combustion.
- La bougie étant retirée, tirer deux ou trois fois sur le cordon lanceur pour enduire l'intérieur de la paroi de cylindre.
- Inspecter la bougie et nettoyer ou remplacer, selon le besoin.
- Réinstaller la bougie, mais laisser son fil débranché.

Filtre à air :

- Nettoyer le filtre à air.

Flexibles et pompe :

Rincer le tuyau d'injection à l'eau propre pendant 1 à 2 minutes. Retirer tous les flexibles. Vider la pompe en tirant environ 6 fois sur le lanceur à rappel. Ceci doit retirer la plupart du liquide de la pompe.

Poignée :

- Tirer le bouton de relâchement de la poignée vers l'extérieur et abaisser la poignée.

REMISE EN SERVICE APRÈS REMISAGE

- Tirer trois ou quatre fois la poignée de lanceur à rappel pour évacuer huile de la chambre de combustion.
- Retirer la bougie du cylindre. Essuyer huile de la bougie et la remettre en place dans le cylindre.
- Reconnecter le fil de bougie.
- Approvisionner la machine en carburant, comme indiqué plus haut dans ce manuel d'utilisation.

CALENDRIER D'ENTRETIEN PÉRIODIQUE

Articles d'entretien	Chaque utilisation	20 heures	50 heures
Rechercher les fuites et les pièces mal arrimées	•		
Vérifier et rectifier le niveau d'huile du moteur	•		
Changer l'huile du moteur*		•	
Nettoyer la bougie		•	
Nettoyer le filtre à air		•	
Remplacer l'élément du filtre à air			•
Nettoyer le bouchon d'essence			•
Nettoyer et régler la bougie et les électrodes			•
Remplacer la bougie			•
Retirer le carbone de la culasse**			•
Vérifier et régler le jeu de soupape**			•
Nettoyer et régler le carburateur**			•
Vérifier les conduites de carburant			•

* Le changement d'huile initial doit être exécuté après les 20 premières heures de fonctionnement. Par la suite, changer l'huile toutes les 50 heures d'utilisation. Éliminer l'huile usée de façon sécuritaire et responsable. Ne pas verser d'huile usée dans les égouts, sur la terre de jardin ou dans des cours d'eau ouverts. Les règlements locaux d'aménagement ou de l'environnement donnent des instructions plus détaillées sur la procédure correcte d'élimination.

** Pour les procédures s'appliquant à ces articles, consulter le centre de réparations Subaru le plus près de chez vous.

DÉPANNAGE

PROBLÈME	CAUSE	SOLUTION
Le moteur ne démarre pas	<p>Pas de carburant dans le réservoir</p> <p>Bougie encrassée ou noyée</p> <p>La bougie est cassée (porcelaine fissurée ou électrodes cassées)</p> <p>Fil d'allumage en court-circuit, coupé ou débranché</p> <p>Pas d'allumage</p>	<p>Remplir le réservoir</p> <p>Remplacer la bougie</p> <p>Remplacer la bougie</p> <p>Remplacer le fil ou le brancher sur la bougie</p> <p>Contacter un centre de réparations agréé</p>
Moteur difficile à démarrer	<p>Eau dans le carburant</p> <p>Étincelle de bougie faible</p>	<p>Vidanger l'ensemble du système et remplir de carburant frais</p> <p>Contacter un centre de réparations agréé</p>
Le moteur manque de puissance	<p>Filtre à air encrassé</p>	<p>Nettoyer ou remplacer le filtre à air</p>
Le détergent ne se mélange pas au jet d'eau	<p>Le flexible d'injection n'est pas correctement immergé</p> <p>Le sélecteur de jets de la buse à permutation 5 en 1 est réglé à [40°], [25°] ou [0°].</p>	<p>Plonger le flexible mélange pas au jet dans le réservoir o bouteille de détergent</p> <p>Tourner le sélecteur de jets de la buse à permutation 5 en 1 de manière à régler l'outil pour effectuer des applications à longue portée [☛] ou à courte portée [♥] avec des détergents..</p>
La pompe ne produit pas de pression	<p>Le sélecteur de jets de la buse à permutation 5 en 1 est réglé à détergent à courte portée [♥] ou détergent à longue portée [☛].</p> <p>Débit d'alimentation en eau insuffisant</p> <p>La poignée de gâchette ou fuites à la lance de pulvérisation</p> <p>Buse obstruée</p> <p>Pompe défectueuse</p> <p>Air dans la ligne</p>	<p>Tourner le sélecteur de jets de la buse à permutation 5 en 1 de manière à régler l'outil pour effectuer des applications à [40°],[25°], or [0°] .</p> <p>Fournir un débit d'eau adéquat</p> <p>Vérifier des connexions et/ou remplacer la lancette</p> <p>Nettoyer la buse</p> <p>Contacter un centre de réparations agréé</p> <p>Appuyer sur la gâchette de la lancette pour chasser l'aire de la conduite</p>
La machine ne parvient pas à la pression correcte de fonctionnement	<p>Diamètre du flexible insuffisant</p> <p>Arrivée d'eau réduite</p> <p>Alimentation en eau insuffisante</p> <p>Le sélecteur de jets de la buse à permutation 5 en 1 est réglé à détergent à courte portée [♥] ou détergent à longue portée [☛].</p>	<p>Remplacer par un tuyau d'arrosage de 3/4 po (19 mm)</p> <p>S'assurer que le tuyau n'est pas entortillé ou obstrué et qu'il ne présente pas de fuites</p> <p>Ouvrir complètement le robinet d'eau</p> <p>Tourner le sélecteur de jets de la buse à permutation 5 en 1 de manière à régler l'outil pour effectuer des applications à [40°],[25°], or [0°] .</p>

GARANTIE

GARANTIE FÉDÉRALE CONTRE LES VICES DE COMPOSANT DU SYSTÈME ANTIPOLLUTION

COUVERTURE DE GARANTIE CONTRE LES VICES DE COMPOSANT DU SYSTÈME ANTIPOLLUTION - Cette garantie de système antipollution est applicable dans tous les États Unis, sauf dans l'état de Californie.

Fuji Heavy Industries Ltd. et Robin America Inc., Lake Zurich, Illinois, (ici « ROBIN AMERICA ») garantissent à l'acheteur initial au détail et à chaque propriétaire postérieur, que ce moteur hors-route (ici « moteur ») a été conçu, construit et équipé pour être conforme, au moment de la vente initiale, aux réglementations applicables de l'Agence de protection de l'environnement des États Unis (EPA) et que ce moteur est dépourvu de vice de matériau et de fabrication qui pourrait causer la défaillance de ce moteur à se conformer aux réglementations EPA pendant sa période de garantie.

Pour les composants répertoriés sous PIÈCES COUVERTES, le fournisseur de service agréé par ROBIN AMERICA exécutera, gratuitement, le diagnostic, la réparation ou le remplacement nécessaires pour assurer que le moteur est conforme aux réglementations EPA des États Unis.

PÉRIODE DE GARANTIE CONTRE LES VICES DE COMPOSANT DU SYSTÈME ANTIPOLLUTION

La période de garantie de ce moteur commence à la date de vente à l'acheteur initial et continue pendant une période de 3 ans.

PIÈCES COUVERTES

Les pièces couvertes par la garantie contre les vices de composants du système antipollution sont répertoriées ci-dessous. Certaines pièces répertoriées ci-dessous peuvent nécessiter un entretien systématique et sont garanties jusqu'au premier point de remplacement spécifié pour cette pièce.

- (1) Système de dosage de carburant
 - (i) Carburateur et pièces internes (et / ou régulateur de pression ou système d'injection de carburant).
 - (ii) Système de commande et de rétroaction du rapport air / carburant, s'il y a lieu.
 - (iii) Système d'enrichissement de démarrage à froid, s'il y a lieu.
 - (iv) Régulateur (carburant gazeux, s'il y a lieu)
- (2) Système d'admission d'air
 - (i) Tubulure d'admission, s'il y a lieu.
 - (ii) Filtre à air.
- (3) Système d'allumage
 - (i) Bougies.
 - (ii) Système d'allumage électronique ou électromagnétique.
 - (iii) Système d'avance / retard à l'allumage, s'il y a lieu.
- (4) Tubulure d'échappement, s'il y a lieu
- (5) Divers articles utilisés dans les systèmes ci-dessus.
 - (i) Commandes électroniques, s'il y a lieu.
 - (ii) Tuyaux, courroies, connecteurs et autres articles.
 - (iii) Ensemble de verrouillage de filtre (carburant gazeux, s'il y a lieu).

OBTENTION DE SERVICE SOUS GARANTIE

Pour obtenir du service sous garantie, amener le moteur au centre de réparations Robin America agréé le plus proche. Amener les talons d'achat indiquant la date d'achat de ce moteur. Le centre de réparations agréé par ROBIN AMERICA effectuera les réparations ou réglages nécessaires dans un délai raisonnable et vous donne une copie de la demande de réparations. Toutes les pièces et accessoires remplacés dans le cadre de cette garantie deviennent la propriété de ROBIN AMERICA.

CE QUI N'EST PAS COUVERT*

* Des conditions entraînées par des manipulations, un mauvais usage, un ajustement incorrect (sauf s'ils ont été effectués par le centre de réparations agréé par ROBIN AMERICAN pendant une réparation de garantie), des altérations, accidents, défaillances à utiliser le carburant et l'huile recommandés, ou par un manque d'entretiens nécessaires.

* Les pièces de rechange utilisées pour les services d'entretien nécessaires.

* Des dommages indirects comme la perte de temps, la nuisance, la perte d'usage du moteur ou de l'équipement, etc.

* Les frais de diagnostic et d'inspection qui n'entraînent pas de service sous garantie.

* Toute pièce de rechange non-autorisée, ou toute défaillance de pièces agréées du fait de l'utilisation de pièces non-agrèées.

RESPONSABILITÉS DU PROPRIÉTAIRE DANS LE CADRE DE LA GARANTIE

Le propriétaire de ce moteur est tenu d'effectuer les entretiens nécessaires, indiqués dans le manuel du propriétaire. ROBIN AMERICA recommande de conserver tous les reçus relatifs à l'entretien du moteur. Toutefois, ROBIN AMERICA ne peut pas refuser la couverture de la garantie pour l'unique raison du manque de reçus ou parce que tous les entretiens prévus n'ont pas été effectués.

Le propriétaire du moteur doit toutefois être averti que les réparations couvertes par la garantie peuvent être refusées par ROBIN AMERICA, si la défaillance de ce moteur est due à un usage abusif, la négligence, un manque d'entretien ou des modifications non approuvées.

Vous êtes tenu de présenter le moteur au centre de réparations agréé par ROBIN AMERICA le plus près quand il y a un problème.

Pour toute question concernant les droits et responsabilités de l'acheteur dans le cadre de la garantie, contacter un service à la clientèle Robin America au 1-630-350-8200.

RENSEIGNEMENTS IMPORTANTS À SAVOIR AU SUJET DE L'ENTRETIEN ET DES RÉPARATIONS SOUS GARANTIE DU SYSTÈME ANTIPOLLUTION

Vous êtes tenu d'effectuer un entretien correct du moteur. Vous devez garder tous les reçus et dossiers d'entretien concernant l'exécution des entretiens ordinaires pour pouvoir répondre aux questions éventuelles. Ces reçus et dossiers d'entretien doivent être transférés à chaque propriétaire postérieur du moteur. ROBIN AMERICA se réserve le droit de nier la couverture de garantie si le moteur n'a pas été correctement entretenu. Les déclarations de garantie ne seront pas niées, toutefois, uniquement à cause du manque d'entretien requis ou de la défaillance à garder les dossiers d'entretien.

L'ENTRETIEN, LE REMPLACEMENT OU LA RÉPARATION DES DISPOSITIFS ET SYSTÈMES ANTIPOLLUTIONS PEUVENT ÊTRE EFFECTUÉS PAR N'IMPORTE QUEL ÉTABLISSEMENT OU FOURNISSEUR DE SERVICE DE RÉPARATION; PAR CONTRE, LES RÉPARATIONS SOUS GARANTIE DOIVENT ÊTRE EXÉCUTÉES PAR UN CENTRE DE RÉPARATIONS AUTORISÉ PAR ROBIN AMERICA. L'UTILISATION DES PIÈCES QUI NE SONT PAS ÉQUIVALENTES EN PERFORMANCE ET DURABILITÉ AUX PIÈCES AUTORISÉES PEUT DÉTÉRIORER L'EFFICACITÉ DU SYSTÈME ANTIPOLLUTION ET PEUT AVOIR UN IMPACT SUR LE RÉSULTAT D'UNE RÉCLAMATION DE GARANTIE.

Si des pièces autres que les pièces autorisées par ROBIN AMERICA sont utilisées pour les remplacements d'entretien ou pour la réparation des composants ou pour la réparation des composants affectant le système antipollution, il est important de s'assurer que de telles pièces sont garanties par leur fabricant et équivalentes aux pièces agréées par ROBIN AMERICA en performance et durabilité.

COMMENT FAIRE UNE RÉCLAMATION

Toute la réparation couverte par cette garantie limitée doit être exécutée par un centre de réparations agréé par ROBIN AMERICA. Au cas où une pièce associée au système antipollution s'avère être défectueuse pendant la période de garantie, vous devez avertir le service à la clientèle de Robin America le service au 1-630-350-8200 et vous serez dirigé sur le centre de réparations sous garantie approprié dans lequel la réparation sous garantie peut être effectuée.

GARANTIE

ÉNONCÉ DE GARANTIE ANTIPOLLUTION DE CALIFORNIE DROITS ET OBLIGATIONS AU TITRE DE LA GARANTIE

Le California Air Resources Board et Robin America Inc. (ici « ROBIN AMERICA ») se font un plaisir de vous expliquer les conditions de garantie de conformité du système antipollution du petit moteur non routier (SORE). Tout SORE de ce type utilisé en Californie doit être conçu, construit et équipé conformément aux strictes réglementations antipollution de cet état. ROBIN AMERICA doit garantir le système antipollution du SORE pendant les périodes indiquées ci-dessous, à condition qu'il n'ait pas fait l'objet d'un usage abusif, de négligence ou d'un manque d'entretien.

Le système antipollution peut inclure des pièces telles que le carburateur ou le système d'injection de carburant, les conduites de carburant et le système d'allumage. Il peut également inclure les flexibles, les joints, les connecteurs et autres articles relatifs au système antipollution.

Dans l'éventualité d'un problème couvert par la garantie, ROBIN AMERICA s'engage à réparer le petit moteur non routier gratuitement, y compris les frais de diagnostic, pièces et les autres composants associés.

COUVERTURE DE LA GARANTIE DU FABRICANT :

Le système antipollution se garantit trois (3) ans. Toute pièce du moteur se rapportant au système antipollution s'avérant défectueuse sera réparée ou remplacée par ROBIN AMERICA.

RESPONSABILITÉS DU PROPRIÉTAIRE DANS LE CADRE DE LA GARANTIE

- Le propriétaire de ce SORE est tenu d'effectuer les entretiens nécessaires, indiqués dans le manuel du propriétaire. ROBIN AMERICA recommande de conserver tous les reçus relatifs à l'entretien du SORE. Toutefois, ROBIN AMERICA ne peut pas refuser la couverture de la garantie pour l'unique raison du manque de reçus.

- Le propriétaire du SORE doit toutefois être averti que les réparations couvertes par la garantie peuvent être refusées par ROBIN AMERICA, si la défaillance de ce SORE est due à un usage abusif, la négligence ou un manque d'entretien ou des modifications non approuvées.

- Vous êtes tenu de présenter le SORE à un centre de distribution ou au service centre agréé par ROBIN AMERICA Inc. 940 Lively Blvd., Lake Zurich, IL 60047, États-Unis, dès qu'un problème existe. Les réparations sous garantie seront effectuées dans un délai raisonnable, ne dépassant pas 30 jours.

Si vous avez une question en ce qui concerne votre couverture de garantie, contactez un service à la clientèle Robin America Inc. au 1-630-350-8200.

LA COUVERTURE GÉNÉRALE DE GARANTIE D'ÉMISSIONS - uniquement en Californie -

ROBIN AMERICA mérite à l'acheteur ultime et chaque acheteur subséquent qui la SORE (1) a été conçue, construite et équipée si elle conforme avec tous règlements applicables ; et (2) est dépourvue de tout vice de matériau et de l'exécution qui cause l'échec d'une partie méritée conforme avec ces règlements comme peut être applicable dans les termes et les conditions déclarés au dessous.

- a) La période de garantie commence sur la date que le moteur est livré à un acheteur ultime ou premièrement placé dans le service. La période de garantie est trois années.
- b) Exposer aux certaines conditions et aux certaines exclusions comme affirmé au dessous, la garantie sur les émissions parties apparentées sont comme suit :
 - (1) La partie méritée qui n'est pas planifiée pour le remplacement comme l'entretien exigé dans le manuel de votre propriétaire est méritée pour la période de garantie affirmée au-dessus. Si la partie échoue pendant la période de couverture et de garantie, la partie sera réparée ou sera remplacée par ROBIN AMERICA selon la sous-section (4) au dessous. N'importe quelle telle partie a réparé ou remplacé sous la garantie sera méritée pour le reste de la période :
 - (2) La partie méritée qui est seulement planifiée pour l'inspection régulière dans le manuel de votre propriétaire est méritée pour la période de garantie affirmée au-dessus. N'importe quelle telle partie a réparé ou remplacé sous la garantie sera méritée pour la période de garantie restante.
 - (3) La partie méritée qui est planifiée pour le remplacement comme l'entretien exigé dans le manuel de votre propriétaire est méritée pour la période de temps avant la date de remplacement premièrement planifiée pour cette partie. Si la partie échoue avant le remplacement premièrement planifié, la partie sera réparée ou sera remplacée par ROBIN AMERICA selon la sous-section (4) au dessous. N'importe quelle telle partie a réparé ou remplacé sous la garantie sera méritée pour le reste de la période avant le point de remplacement premièrement planifié pour la partie.
 - (4) Réparer ou le remplacement de partie méritée sous les provisions de garantie en ceci doit être exécuté à une station de garantie à aucune charge au propriétaire.
 - (5) En dépit des provisions en ceci, la garantie entretient ou répare sera fournie de tout de nos centres de distribution qui sont franchisés pour entretenir les moteurs sujets.
 - (6) Le propriétaire ne doit pas être chargé pour le travail diagnostique qui mène à la détermination qu'une partie méritée est en fait défectueuse, à fournir que tel travail diagnostique est exécuté à une station de garantie.
 - (7) Le ROBIN AMERICA est responsable des dommages aux autres composants de moteur directement causés par un échec sous la garantie de partie méritée.
 - (8) À travers la période de garantie de moteur a déclaré au-dessus, ROBIN AMERICA maintiendra une provision de parties méritées suffisantes pour rencontrer la demande prévue pour telles parties.
 - (9) N'importe quelle partie de remplacement peut être utilisée dans l'exécution de n'importe quel entretien de garantie ou les réparations et doit être fournie sans la charge au propriétaire. Tel usage ne réduira pas les devoirs de garantie de ROBIN AMERICA.
 - (10) L'addition ou les parties modifiées qui ne sont pas exemptées par les Ressources d'Air Montant ne peut pas être utilisées. L'usage de n'importe quelle addition de non-exempté ou les parties modifiées par l'acheteur ultime sera des sols pour rejeter une réclamation de garantie. La ROBIN AMERICA ne risquera pas de mériter d'échecs de parties méritées causées par l'usage d'une addition de non-exempté ou la partie modifiée.

GARANTIE

Quand la réparation sous garantie est nécessaire, le moteur doit être amené dans un centre de réparations ou un centre de réparation sous garantie agréé pendant les heures d'ouverture normales. Dans tous les cas, un délai raisonnable, qui ne doit pas dépasser 30 jours, doit être autorisé pour effectuer la réparation sous garantie une fois le moteur reçu par le centre de réparations ou le centre de réparation sous garantie agréé.

ENTRETIEN, REMPLACEMENT ET RÉPARATION DES PIÈCES ASSOCIÉES AU SYSTÈME ANTIPOLLUTION

Seules les pièces et le remplacement de moteur sous garantie approuvés par ROBIN AMERICA doivent être utilisés lors d'entretien ou de réparations sous garantie de pièces associées au système antipollution. Si des pièces autres que les pièces agréées sont utilisées pour l'entretien, le remplacement ou la réparation des composants affectant le système antipollution, il est important de s'assurer que de telles pièces sont garanties par leur fabricant être équivalentes aux pièces autorisées en performance et durabilité. Toutefois, ROBIN AMERICA n'assume aucune responsabilité, dans le cadre de cette garantie quant aux pièces autres que les pièces autorisées. L'utilisation des pièces de remplacement non autorisées n'invalide pas la garantie d'autres composants sauf si les pièces non autorisées entraînent des dommages des pièces garanties.

PIÈCES COUVERTES PAR LA GARANTIE DE CONFORMITÉ AUX LOIS ANTIPOLLUTION DE CALIFORNIE

La réparation ou le remplacement de partie méritée autrement éligible pour la couverture de garantie peut être exclu de telle couverture de garantie si ROBIN AMERICA démontre que le moteur a été abusé de, a été négligé, ou a été maintenu incorrectement, et que tel abus, telle négligence, ou tel entretien déplacé était la cause directe du

besoin pour la réparation ou le remplacement de la partie. Cela néanmoins, n'importe quel ajustement d'un composant qui a un installé à la fabrication, et fonctionnant convenablement, l'ajustement limite l'appareil est toujours éligible pour la couverture de garantie. Les parties suivantes de garantie d'émissions énumèrent sont couvertes.

- (1) Système de dosage de carburant
 - (i) Carburateur et pièces internes (et / ou régulateur de pression ou système d'injection de carburant).
 - (ii) Système de commande et de réaction du rapport air / carburant, s'il y a lieu.
 - (iii) Système d'enrichissement de démarrage à froid, s'il y a lieu.
 - (iv) Régulateur (carburant gazeux, s'il y a lieu).
- (2) Système d'admission d'air
 - (i) Tubulure d'admission, s'il y a lieu.
 - (ii) Filtre à air.
- (3) Système d'allumage
 - (i) Bougies.
 - (ii) Système d'allumage électronique ou électromagnétique.
 - (iii) Système d'avance / retard à l'allumage, s'il y a lieu.
- (4) Tubulure d'échappement, s'il y a lieu
- (5) Les Systèmes d'Evaporation
 - (i) Les lignes de Carburant.
 - (ii) Les installations de ligne de carburant
 - (iii) Boîte métallique de carbone
 - (iv) Support de montage de boîte métallique
 - (v) Connecteur de port de purge de carburateur
 - (vi) Réservoir de carburant
 - (vii) Bouchon du réservoir
 - (viii) Brides

L'HAUTE OPERATION DE MOTEUR D'ALTITUDE

S'il vous plaît avoir un négociant autorisé de service d'Amérique de Robin modifie ce moteur s'il va être couru continuellement au-dessus de 5000 pieds (1500 mètres). L'échec pour faire si, peut avoir pour résultat l'exécution de moteur pauvre, allumer fouling de bouchon, commençant fort, et les émissions augmentées.

La modification de carburateur par un négociant de service d'Amérique de Robin autorisé améliorera l'exécution et permet que ce moteur rencontre EPA (l'Agence de Protection Ecologique) et Californie ARB (les Ressources d'Air Montent) les normes d'émission à travers sa vie utile.

Un moteur converti pour les hautes altitudes ne peut pas être couru à 5000 pieds ou abaisse. Dans faire si, le moteur surchauffera et causeront les dommages de moteur sérieux. S'il vous plaît avoir un négociant autorisé de service d'Amérique de Robin restaure l'haute altitude moteurs modifiés à la spécification d'usine originale avant de fonctionner au dessous de 5000 pieds.

AERER L'INDEX

Pour montrer la conformité avec les règlements d'émission de Californie, un hangtag a été fourni affichant le niveau d'Index d'Air et la période de durabilité de ce moteur.

Le niveau d'Index d'Air définit comment propre un échappement du moteur est par-dessus une période de temps. Un histogramme a escaladé de "0" (nettoie plus) à "10" (le moindre nettoie) est utilisé pour montrer un niveau d'Index d'Air du moteur. Un niveau plus bas d'Index d'Air représente l'échappement plus propre d'un moteur. La période de temps (dans les heures) que le niveau d'Index d'Air est mesuré est su comme la période de durabilité. Dépendre de la taille du moteur, une sélection de périodes peut être utilisée pour mesurer le niveau d'Index d'Air (voir ci-dessous).

Terme descriptif	Applicable à la Période de Durabilité d'Emissions
Modéré	50 heures (le moteur de 0 à 80 cc) 125 heures (le moteur plus grand que 0 à 80 cc)
Intermédiaire	125 heures (le moteur de 0 à 80 cc) 250 heures (le moteur plus grand que 0 à 80 cc)
A étendu	300 heures (le moteur de 0 à 80 cc) 500 heures (le moteur plus grand que 0 à 80 cc)

LA NOTIFICATION : Ce hangtag doit rester sur ce moteur ou ce morceau d'équipement, et est seulement enlevé par l'acheteur ultime avant l'opération.

Dégagement de soupape 0,12 mm (0,0047 po)

(La prise et l'Echappement)

La Période de Durabilité d'émissions
(Californie seulement)

NOTE : Ajuster le dégagement de soupape pendant que le moteur a froid.

500 hours

GARANTIE

ÉNONCÉ DE LA GARANTIE LIMITÉE HORS MOTEUR

Homelite Consumer Products, Inc., ("Homelite") garantit à l'acheteur original que ce produit la rondelle de pression de marque HOMELITE est exempt de tout vice de matériau ou de fabrication et s'engage à réparer ou remplacer gratuitement, à son choix, tout produit s'avérant défectueux au cours des périodes indiquées ci-dessous, à compter de la date d'achat.

- Deux ans si le produit est utilisé par des particuliers ;
- 90 jours un an si un des produits ci-dessus est utilisé à toutes autres fins, telles que les travaux commerciaux et la location.

Cette garantie n'est offerte qu'à l'acheteur original et entre en vigueur à la date de l'achat original.

Toute pièce de ce produit fabriquée ou fournie par Homelite et estimée défectueuse, selon le jugement raisonnable de Homelite en ce qui concerne la fabrication ou la main-d'œuvre, sera réparée ou remplacée sans frais pour les pièces et la main-d'œuvre par un centre de service autorisé Homelite agréé.

Le produit, y compris toutes les pièces défectueuses, devra être retourné à un centre de réparations Homelite agréé avant expiration de la période de garantie. Les frais d'expédition au centre de réparations et de retour au propriétaire du produit après la réparation ou le remplacement seront assumés par le propriétaire. La responsabilité de Homelite en ce qui concerne les réclamations en garantie se limitera aux réparations ou au remplacement des produits défectueux et aucune revendication de rupture de garantie ne pourra causer l'annulation ou la résiliation du contrat de vente d'un produit HOMELITE quel qu'il soit. Une preuve d'achat sera exigée par le centre de réparation, afin de valider toute réclamation au titre de la garantie. Tous les travaux sous garantie doivent être effectués par un centre de service autorisé Homelite agréé.

Cette garantie ne couvre pas le produit de marque ayant fait l'objet d'un usage abusif ou négligent, d'un manque d'entretien, ayant été impliqués dans un accident ou employés de façon contraire aux instructions du manuel du propriétaire. Cette garantie ne couvre ni les dommages aux produits de marque résultant d'un entretien incorrect, ni le produit de marque altérés ou modifiés de façon à nuire au fonctionnement, aux performances et à la durabilité ou dans le but de l'utiliser pour un usage autre que celui pour lequel il a été conçu. La garantie exclut les réparations rendues nécessaires par l'usure normale ou l'utilisation de pièces et accessoires incompatibles avec le produit la rondelle de pression de marque HOMELITE ou nuisibles à son bon fonctionnement, ses performances ou sa durabilité.

En outre, cette garantie exclut :

- A. Les réglages – Filtres à air, filtres à gaz, bougies
- B. Les articles d'usure – Tuyaux, raccords de connecteur, buses de pulvérisation, roues, lance à pulvérisation, seau de détergent, réservoir de produits chimiques

Homelite se réserve le droit d'apporter des modifications ou améliorations à tout produit la rondelle de pression de marque HOMELITE, sans obligation de modifier les produits fabriqués antérieurement.

LA DURÉE DE TOUTES LES GARANTIES IMPLICITES NE SAURAIT EN AUCUN CAS EXCÉDER LA PÉRIODE DE GARANTIE DÉCLARÉE. PAR CONSÉQUENT, TOUTES LES GARANTIES IMPLICITES, Y COMPRIS LES GARANTIES DE VALEUR MARCHANDE, D'ADÉQUATION À UN USAGE PARTICULIER, OU AUTRES, SERONT INVALIDÉES À L'EXPIRATION DE LA PÉRIODE DE GARANTIE EXPLICITE DE DEUX ANS OU 90 JOURS. LES OBLIGATIONS HOMELITE DANS LE CADRE DE CETTE GARANTIE SE LIMITENT EXCLUSIVEMENT À LA RÉPARATION OU AU REMPLACEMENT DES PIÈCES DÉFECTUEUSES ET HOMELITE N'ASSUME OU N'AUTORISE QUICONQUE À ASSUMER EN LEUR NOM QUELQUE AUTRE OBLIGATION QUE CE SOIT. CERTAINS ÉTATS ET PROVINCES NE PERMETTANT PAS DE LIMITATION DE DURÉE DE GARANTIES IMPLICITES, LES RESTRICTIONS CI-DESSOUS PEUVENT NE PAS ÊTRE APPLICABLES. HOMELITE DÉCLINE TOUTE RESPONSABILITÉ EN CE QUI CONCERNE LES DOMMAGES DIRECTS, INDIRECTS OU AUTRES, Y COMPRIS, MAIS SANS S'Y LIMITER, LES FRAIS DE RETOUR DE PRODUITS HOMELITE CONSUMER PRODUCTS À UN ENTRETIEN LE CENTRE DE RÉPARATIONS HOMELITE AGRÉÉ ET DE RENVOI AU PROPRIÉTAIRE, DE DÉPLACEMENT D'UN TECHNICIEN, DE TÉLÉPHONE OU TÉLÉGRAMME, DE LOCATION D'UN PRODUIT SIMILAIRE PENDANT LA DURÉE DES RÉPARATIONS SOUS GARANTIE, DE DÉPLACEMENT, DE PERTES OU DOMMAGES À DES BIENS PERSONNELS, DE MANQUE À GAGNER, DE PERTE D'USAGE DU PRODUIT, DE PERTE DE TEMPS OU DE DÉRANGEMENT. CERTAINS ÉTATS N'AUTORISANT PAS L'EXCLUSION OU LA LIMITATION DES DOMMAGES DIRECTS OU INDIRECTS, LES LIMITATIONS ET EXCLUSIONS CI-DESSOUS PEUVENT DONC NE PAS S'APPLIQUER À TOUS LES CAS.

Cette garantie donne au consommateur des droits spécifiques, et celui-ci peut bénéficier d'autres droits, qui varient selon les états ou provinces.

Cette garantie couvre tous les produits la rondelle de pression de marque HOMELITE distribué par Homelite Consumer Products, Inc., et vendus aux États-Unis, Mexique, et au Canada.

Pour obtenir l'adresse du centre de réparations Homelite agréé le plus proche, appeler le 1-800-242-4672 ou visiter notre site Internet à l'adresse www.homelite.com.

GARANTIE

GARANTIE LIMITÉE DE MOTEUR

(Effective pour les moteurs achetés chez Robin America, Lake Zurich (IL), aux États-Unis, après le 1 avril, 2008)

Robin America, Inc., une division de Fuji Heavy Industries, Ltd. (ici « Subaru Robin »), garantit que tout moteur neuf vendu sera dépourvu, dans des conditions normales d'utilisation et d'entretien, de vices de matériau et de fabrication pendant une période répertoriée ci-dessous à compter de la date de vente à l'acheteur au détail original. L'obligation de Subaru Robin dans le cadre de cette garantie limitée sera limitée à la réparation et au remplacement, à l'option de Subaru Robin, de toute pièce s'avérant, après inspection, à l'avis de Subaru Robin, être défectueuse en matériau ou fabrication. Une condition aux obligations de Subaru Robin dans le cadre de cette garantie limitée est que Subaru Robin reçoive rapidement, directement ou par l'intermédiaire d'un de ses distributeurs ou centres de réparations agréés à entretenir le moteur particulier impliqué, un avis de réclamation sous garantie, et que le moteur ou les pièces déclarées comme étant défectueuses soient rapidement livrées, frais de port prépayés, audit Distributeur ou Centre de réparations pour inspection et réparation. Toute réparation qualifiant dans le cadre de cette garantie limitée doit être effectuée par Subaru Robin ou un de ses distributeurs ou centres de réparations agréés.

PÉRIODES DE GARANTIE :

Moteurs à essence quatre temps de Subaru (séries EX et EH) de 4,3 HP ou plus
Garantie limitée à 3 ans

Moteurs quatre temps à propane liquide ou gaz naturel de Subaru (série EH)
Garantie limitée à 3 ans

Mini-moteurs à essence quatre temps EH025, EH035 et EH035V de Subaru
Garantie limitée à 2 ans

Moteurs à essence Subaru SP170, SP210 (Privé/Résidentiel)
Garantie limitée à 3 ans

Moteurs à essence Subaru, SP170, SP210 (Commerciaux)
Garantie limitée à 1 an

Moteurs à essence Subaru de la série Rammer
Garantie limitée à 2 ans

Moteurs à essence Subaru EA190V, EA175V (Privé/Résidentiel)
Garantie limitée à 3 ans

Moteurs à essence Subaru EA190V, EA175V (Commerciaux)
Garantie limitée à 1 an

La réparation ou le remplacement de toute pièce ou pièces dans le cadre de cette garantie limitée ne doit pas prolonger la période de garantie du moteur au-delà du terme original tel que défini ci-dessus.

LIMITATIONS ET EXCLUSIONS : Cette garantie limitée ne s'applique pas à :

1. Un vilebrequin plié ou cassé ou aux dommages résultants entraînés par la vibration associée à un vilebrequin plié ou cassé. En outre, aux dommages causés par des boulons de fixation du moteur desserrés ou des accessoires ou des lames incorrects ou déséquilibrés montés sur le vilebrequin.
2. Les réparations requises suite à un stockage prolongé y compris les dommages causés par du carburant vieux ou contaminé dans le réservoir de carburant, les conduites de carburant, ou le carburateur des soupapes gommées ou de la corrosion et de la rouille sur les pièces de moteur
3. Réparation requise suite à la surchauffe. (La plupart du temps suite à un volant, ventilateur, passages d'air d'admission, ailettes de refroidissement ou grilles de prise d'air sur chargés ou bouchés ou endommagés ou manquants.)
4. Usure associée à la saleté suite à un entretien incorrect du filtre à air (la plupart du temps entraînant un piston, des segments de piston, cylindres, soupapes, guides de soupape, carburateur ou autres composants internes usés).
5. Des pièces cassées ou rayées causées par un niveau bas d'huile, une huile sale ou de grade incorrect.
6. Mises au point du moteur et service d'entretien normal y compris, mais sans s'y limiter, réglage de soupape, remplacement normal d'articles de service, carburant et huile de graissage, etc.
7. Tout moteur qui a été sujet à la négligence, au mauvais usage, aux accidents, mauvaises applications ou excès de vitesse.
8. Tout moteur qui a été installé, réparé ou modifié par quiconque d'une manière qui, au jugement exclusif de Subaru Robin, nuit à sa performance et à sa fiabilité.
9. Tout moteur qui a été équipé de pièces ou composants non fabriqués ou approuvés par Subaru Robin, ou réparé avec de tels composants, que Subaru Robin considère, de son seul jugement, nocifs à sa performance ou sa fiabilité.
10. Cas où une utilisation normale est venue à bout de la durabilité d'un composant ou d'un moteur.

Le client est responsable de tous les frais de poste rapportant au travail sous garantie.

Subaru Robin se réserve le droit de modifier, changer ou améliorer des moteurs ou pièces sans encourir d'obligation de modifier ou remplacer les moteurs ou pièces vendus précédemment sans aucune modification, altération ou amélioration.

Nul n'est autorisé à accorder d'autre garantie ou d'assumer des obligations supplémentaires au nom de Subaru Robin à moins que cela ne soit par écrit et signé par un officier de Subaru Robin.

CETTE GARANTIE ET L'OBLIGATION DE SUBARU ROBIN'S CI-DESSOUS, TIENNENT LIEU DE TOUTES LES AUTRES GARANTIES OU OBLIGATIONS, EXPLICITES OU IMPLICITES, Y COMPRIS LES GARANTIES DE QUALITÉ MARCHANDE OU D'ADAPTATION À UN USAGE PARTICULIER. IL N'Y A AUCUNE GARANTIE QUI S'ÉTENDE AU-DELÀ DE LA PRÉSENTE DESCRIPTION. ROBIN AMERICA NE SERA EN AUCUN CAS RESPONSABLE DE DOMMAGES DIRECTS OU INDIRECTS.

INSTRUCCIONES DE SEGURIDAD IMPORTANTES



ADVERTENCIA:

Lea y comprenda todas las instrucciones. El incumplimiento de todas las instrucciones siguientes puede causar descargas eléctricas, incendio o intoxicación por monóxido de carbono, lo cual puede causar la muerte o lesiones graves.

READ ALL INSTRUCTIONS




- **Familiarícese con la herramienta.** Lea cuidadosamente el manual del operador. Aprenda los usos y limitaciones de la máquina, así como los posibles peligros específicos de esta herramienta.
- **Mantenga las protecciones en su lugar** y en buenas condiciones de trabajo. Nunca utilice la herramienta con ninguna de las protecciones o cubiertas quitadas. Asegúrese de que todas las protecciones estén funcionando de forma correcta antes de utilizar la unidad.
- **Retire toda llave y herramienta de ajuste.** Adquiera el hábito de verificar que se haya retirado de la herramienta eléctrica toda llave y herramienta de ajuste antes de encenderla.
- **Para reducir el riesgo de lesiones,** mantenga a alejados a niños y demás circunstancias. Todos los presentes deben llevar puestos anteojos de seguridad y permanecer a una distancia segura del área de trabajo.
- **Mantenga alejadas del área de trabajo a todas las personas,** particularmente a los niños de corta edad, y también a las mascotas.
- **No haga funcionar el motor en un espacio confinado** donde se puedan recolectar las emanaciones de monóxido de carbono. El monóxido de carbono, un gas incoloro, inodoro y sumamente peligroso, puede causar la pérdida de la conciencia o la muerte.
- **Use la herramienta adecuada a la tarea.** No fuerce la herramienta ni ningún accesorio a efectuar tareas para las que no están hechos. No la use para propósitos no indicados en las instrucciones.
- **Vístase adecuadamente.** No vista ropas, guantes, corbatas o joyas holgadas. Pueden resultar atrapadas y tirar de usted hacia piezas en movimiento. Se recomiendan guantes y calzado antiderrapantes al trabajar al aire libre. Si tiene el pelo largo cúbrase de alguna manera para contenerlo.
- **No accione el equipo cuando esté descalzo o al llevar puestas sandalias o calzado liviano similar.** Use calzado de seguridad que le proteja sus pies y mejore su postura en superficies resbaladizas.
- **Tenga suma precaución para evitar resbalarse o caer.**
- **Siempre póngase protección ocular con protección lateral con la marca de cumplimiento de la norma ANSI Z87.1.** Con el cumplimiento de esta regla se reduce el riesgo de lesiones corporales serias.
- **No se estire ni se pare en un soporte inestable.** Mantenga una postura firme y buen equilibrio en todo momento.
- **Utilice sólo accesorios recomendados.** El empleo de accesorios inadecuados puede presentar riesgos de lesiones.
- **Siga las instrucciones de la mantenimiento especificadas en este manual.**
- **Inspeccione las piezas dañadas.** Antes de seguir utilizando la herramienta, es necesario inspeccionar cuidadosamente toda protección o pieza dañada para determinar si funcionará correctamente y desempeñará la función a la que está destinada. Verifique la alineación de las partes móviles, que no haya atoramiento de las mismas, que no haya piezas rotas, el montaje de las piezas y cualquier otra condición que pudiera afectar su funcionamiento. Toda protección o pieza que esté dañada debe repararse apropiadamente o reemplazarse en un centro de servicio autorizado.
- **Nunca deje desatendida ninguna herramienta en funcionamiento. Apague la herramienta.** No se aleje de la herramienta hasta no verla completamente detenida.
- **Conserve el motor limpio de césped, hojas o grasa** a fin de reducir el riesgo de incendio.
- **Mantenga el tubo de escape libre de objetos extraños.**
- **Siga las recomendaciones del fabricante para lograr la carga, descarga, transporte y almacenamiento seguros de la máquina.**
- **Familiarícese completamente con los controles.** Aprenda a detener la máquina y a liberar rápidamente la presión.
- **Mantenga la herramienta seca, limpia y libre de aceite y grasa.** Siempre utilice un paño limpio para la limpieza de la unidad. Nunca utilice fluidos para frenos, gasolina, productos a base de petróleo ni solventes para limpiar la herramienta.
- **Permanezca alerta y en control.** Preste atención a lo que esté haciendo y aplique el sentido común. No utilice la herramienta cuando esté cansado. No se apresure.
- **No utilice la unidad si se encuentra bajo los efectos de drogas, alcohol o medicamentos.**
- **Revise el área de trabajo cada vez antes de utilizar esta herramienta.** Retire todos los objetos como piedras, vidrio roto, clavos, alambre o cuerda que puedan salir disparados o enredarse en la máquina.
- **No utilice la herramienta si el interruptor no apaga.** Lleve todo interruptor defectuoso a un centro de servicio autorizado para que lo reparen.
- **Antes de limpiar, reparar o inspeccionar la máquina,** apague el motor y cercórese de que se hayan detenido todas las partes en movimiento. Desconecte el cable de la bujía, y mantenga dicho cable alejado de la bujía para evitar el arranque accidental de la unidad.
- **Evite tener un entorno de trabajo peligroso.** No utilice herramientas eléctricas en lugares húmedos o mojados ni las exponga a la lluvia. Mantenga bien iluminada el área de trabajo.
- **Nunca utilice la unidad en una atmósfera explosiva.** El chispeo normal del motor podría encender los gases presentes.
- **No utilice la unidad mientras fuma ni cerca de llamas abiertas.**
- **No utilice la unidad cerca de vegetación o ramas secas, paños de textiles ni otros materiales inflamables.**
- **ADVERTENCIA: Riesgo de inyección o de lesión** – No dirija el chorro hacia las personas.

REGLAS DE SEGURIDAD ESPECÍFICAS








- **Nunca dirija un chorro de agua en dirección de personas o animales, ni hacia dispositivos eléctricos.**
- **Antes de iniciar cualquier operación de limpieza,** cierre puertas y ventanas. Despeje el área a limpiar y elimine cualesquier desechos, juguetes, muebles de patio u otros objetos que pudiesen crear un peligro.
- **Nunca alce ni transporte una máquina mientras se encuentre en marcha.**
- **Nunca ponga en marcha la máquina** si se ha formado hielo en cualquier parte del equipo.
- **No use soluciones ácidas, alcalinas, solventes, materiales inflamables o de grado industrial** en este producto. Estos productos pueden causar lesiones físicas al operador y daños irreparables a la máquina.
- **Siempre ponga en marcha la máquina** en superficies niveladas. Si el motor se encuentra inclinado, podría agarrarse debido a la lubricación insuficiente (incluso con el nivel de aceite al máximo).
- **ADVERTENCIA: Los chorros de alta presión pueden ser peligrosos si se utilizan indebidamente.** Nunca dirija el chorro a personas, animales, dispositivos eléctricos ni a la máquina misma.
- **Sujete el mango y el tubo firmemente con ambas manos.** Se espera que el mango del gatillo se mueva cuando se tire del gatillo como consecuencia de las fuerzas de reacción. La inobservancia de esta advertencia podría causar pérdida de control y lesiones a usted y a otras personas.
- **Nunca intente efectuar ajuste alguno mientras el motor está en marcha** (excepto cuando así lo recomiende específicamente el fabricante).
- **Cuando el motor esté en marcha, es imperativo que las cubiertas de protección cubran las partes en movimiento.**
- **Mantenga la entrada de aire de enfriamiento** (el área del arrancador retráctil) y el lado del silenciador alejados un mínimo de 91 cm (tres pies) de cualquier edificación, obstrucciones y otros objetos combustibles.
- **Mantenga alejado el motor de materiales inflamables y de otros materiales peligrosos.**
- **Evite el contacto con las partes calientes de la unidad.** El silenciador y otras partes del motor se calientan mucho; tenga precaución.
- **No toque la bujía ni el cable de ignición** durante el arranque ni durante el funcionamiento del motor.
- **Cada vez antes de usar la unidad, inspeccione las mangueras de combustible y los acoplamientos pertinentes** para verificar que no estén flojos ni haya derrames de combustible.
- **Antes de cada uso, inspeccione los pernos y las tuercas** para verificar que están apretados. Una tuerca o perno sueltos pueden causar problemas graves en el motor.
- **Siempre reabastezca el combustible al aire libre.** Nunca reabastezca el combustible en espacios interiores ni en áreas con ventilación insuficiente.
- **Nunca guarde la máquina con combustible en el tanque dentro de un edificio** donde haya presentes fuentes de ignición, como el agua caliente y calentadores locales, secadoras de ropa y cosas parecidas.
- **Si es necesario vaciar el tanque de combustible, hágalo al aire libre.**
- **Para reducir el riesgo de incendio o de lesiones por quemadura,** maneje con cuidado el combustible. Es sumamente inflamable.
- **No fume mientras esté mezclando el combustible o reabasteciendo el tanque.**
- **Reabastezca de combustible la unidad antes de arrancar el motor.** Nunca retire la tapa del tanque de combustible ni lo reabastezca mientras esté encendida o caliente la unidad.
- **Afloje la tapa del tanque de combustible lentamente** para aliviar la presión y evitar que se escape combustible por la tapa.
- **Vuelva a colocar firmemente la tapa del tanque de combustible y la del recipiente.**
- **Limpie todo el combustible que se haya derramado de la unidad.** Aléjese por lo menos 9 metros (30 pies) del sitio de reabastecimiento de combustible antes de encender el motor.
- **Si se derrama combustible,** no intente arrancar el motor; aleje la máquina del área del derramamiento y evite causar una fuente de ignición hasta que se disipen los vapores del combustible.
- **Nunca intente en ninguna circunstancia eliminar el combustible derramado quemándolo.**
- **Antes de guardar la unidad deje que se entrie el motor.**
- **Guarde la unidad en un lugar frío y bien ventilado,** a una distancia segura de todo equipo generador de chispas o llamas.
- **Guarde el combustible en recipientes diseñados específicamente para tal fin.**
- **Antes de transportar la unidad en un vehículo, vacíe el tanque de combustible e inmovilícelo.**
- **Al dar servicio a la unidad, sólo utilice piezas de repuesto idénticas.** El empleo de piezas diferentes puede causar un peligro o dañar el producto.
- **Use SOLAMENTE agua fría.**
- **Asegúrese de que haya una distancia mínima de 914 mm (tres pies) de todo material combustible.**
- **Nunca rocíe agua a la superficie** para ser limpiado como usted puede dañar la superficie.
- **Luego de detener el motor, siempre presione el gatillo ubicado en el mango del gatillo para aliviar la presión acumulada en la manguera de alta presión.** La inobservancia de esta advertencia puede causar lesiones personales graves.
- **Para usarse sólo en el exterior.**
- **Asegúrese de que la manguera de alta presión esté conectada adecuadamente antes de usar el producto.**
- **Guarde estas instrucciones.** Consúltelas frecuentemente y utilícelas para instruir a otros usuarios. Si presta a alguien esta herramienta, facilítele también las instrucciones.

SÍMBOLOS

Las siguientes palabras de señalización y sus significados tienen el objeto de explicar los niveles de riesgo relacionados con este producto.



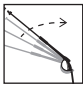


SÍMBOLO	SEÑAL	SIGNIFICADO
	PELIGRO:	Indica una situación peligrosa inminente, la cual, si no se evita, causará la muerte o lesiones serias.
	ADVERTENCIA:	Indica una situación peligrosa posible, la cual, si no se evita, podría causar la muerte o lesiones serias.
	PRECAUCIÓN:	Indica una situación potencialmente peligrosa la cual, si no se evita, puede causar lesiones leves o moderadas.
	PRECAUCIÓN:	(Sin el símbolo de alerta de seguridad) Indica una situación que puede producir daños materiales.

Es posible que se empleen en este producto algunos de los siguientes símbolos. Le suplicamos estudiarlos y aprender su significado. Una correcta interpretación de estos símbolos le permitirá utilizar mejor y de manera más segura la producto.

SÍMBOLO	NOMBRE	DENOMINACIÓN/EXPLICACIÓN
	Alerta de seguridad	Indica un peligro posible de lesiones personales.
	Lea manual del operador	Para reducir el riesgo de lesiones, el usuario debe leer y comprender el manual del operador antes de usar este producto.
	Protección ocular	Siempre póngase protección ocular con protección lateral con la marca de cumplimiento de la norma ANSI Z87.1.
	Alerta de condiciones húmedas	No exponga la unidad a la lluvia ni la use en lugares húmedos.
	Superficie caliente	Para reducir el riesgo de lesiones corporales o daños materiales evite tocar toda superficie caliente.
	Riesgo de inyecciones	Para reducir el riesgo de uninyección o lesión, nunca dirija un chorro de agua hacia personas o mascotas ni ponga ninguna parte del cuerpo en el chorro. Las fugas presentes en mangueras y acopladores también pueden causar lesiones por inyección. No sujete ninguna manguera ni acoplador.
	Riesgo de explosión	El combustible y los vapores del mismo son explosivos y pueden causar quemaduras graves e incluso la muerte.

SÍMBOLOS

Es posible que se empleen en este producto algunos de los siguientes símbolos. Le sugerimos estudiarlos y aprender su significado. Una correcta interpretación de estos símbolos le permitirá utilizar mejor y de manera más segura el producto.

SÍMBOLO	NOMBRE	DENOMINACIÓN/EXPLICACIÓN
	Riesgo de incendio	El combustible y los vapores del mismo son extremadamente inflamables y explosivos. El fuego puede causar quemaduras graves e incluso la muerte.
	Emanaciones tóxicas	Los aparatos de gasolina emiten monóxido de carbono, un gas tóxico incoloro e inodoro. Si se inhala monóxido de carbono puede causarse náusea, desmayo o la muerte.
	Contragolpe	Para reducir el riesgo de lesiones por un contragolpe, sujete firmemente el tubo rociador con ambas manos cuando esté encendida la máquina.
	Descarga eléctrica	Si no se usa la unidad en condiciones secas y no se observan prácticas seguras de trabajo, puede producirse una descarga eléctrica.
	Quemaduras químicas	Para reducir el riesgo de lesiones o daños físicos, NO USE SOLUCIONES ÁCIDAS, ALCALINAS, BLANQUEADORES, SOLVENTES, MATERIALES INFLAMABLES O DE GRADO INDUSTRIAL en este producto.

CARACTERÍSTICAS

ESPECIFICACIONES DEL PRODUCTO

Capacidad del tanque de combustible	0,83 litros (0,22 gal)
Capacidad de aceite	0,59 litros (20 oz.)
Presión máxima*	18 617 kPa (2 700 psi)
Flujo máximo*	9,08 LPM (2,4 gpm)
Temperatura máxima de agua de cala	40 °C (104 °F)

*Máximo que valora determinado por el estándar de PWMA 101

FAMILIARÍCESE CON LA LAVADORA DE PRESIÓN

Vea la figura 1.

Para usar este producto con la debida seguridad se debe comprender la información indicada en la herramienta misma y en este manual, y se debe comprender también el trabajo que intenta realizar. Antes de usar este producto, familiarícese con todas las características de funcionamiento y normas de seguridad del mismo.

BOQUILLA INTERCAMBIABLE 5 EN 1

La boquilla intercambiable 5 en 1 hace que sea más fácil cambiar los patrones de rociado.

TANQUE DE COMBUSTIBLE

Este tanque de combustible tiene una capacidad de 0,95 litros (0,22 gal). Use gasolina sin plomo para vehículos.

VÁLVULA DE COMBUSTIBLE

La válvula de combustible debe estar abierta para encender el motor y siempre debe cerrarse antes de guardar la máquina.

ALMACENAMIENTO DE LA MANGUERA DE ALTA PRESIÓN

Una vez que la manguera de alta presión esté enrollada, cuélguela en la parte trasera de la máquina utilizando la tira de gancho y lazada para ajustarla correctamente.

INTERRUPTOR DE ENCENDIDO Y APAGADO

El interruptor de encendido y apagado se utiliza en combinación con el mango del arrancador retráctil para arrancar el motor. Además se utiliza para apagar el motor.

MANGO DEL ARRANCADOR CON CUERDA

Con un tirón del mango del arrancador con cuerda se arranca el motor.

SUPRESOR DE CHISPAS

Este motor no está equipado de fábrica con un supresor de chispas. En algunas áreas es ilegal el operar un motor sin supresor de chispas. Hay disponible un supresor de chispas llame al departamento de atención al consumidor y le brindaremos asistencia.

VÁLVULA DE SEGURIDAD TÉRMICA

Este dispositivo de la bomba evita que la temperatura del agua alcance un nivel peligroso; para ello, deja salir una pequeña cantidad de agua por una manguera de caucho. Una vez salida el agua, la válvula de seguridad térmica se reinicializa automáticamente.

GATILLO CON SEGURO

Al tirar del gatillo sale un chorro de agua para limpiar con alta presión. El seguro ofrece protección contra todo uso no autorizado.

GÂCHETTE AVEC VERROUILLAGE

Appuyer sur la gâchette pour produire un jet d'eau à haute pression pour le nettoyage. Le verrouillage constitue une protection contre toute utilisation non autorisée.

HERRAMIENTAS NECESARIAS

Para armar la unidad se necesitan las siguientes herramientas (no incluido o dibujado para escalar):

Vea la figura 1a.

- 7/16 pulg. llave
- Destornillador Phillips

ARMADO

DESEMPAQUETADO

Este producto requiere armarse.

- Extraiga cuidadosamente de la caja la herramienta y los accesorios. Asegúrese de que estén presentes todos los artículos enumerados en la lista de empaquetado.



ADVERTENCIA:

No utilice este producto si alguna pieza incluida en la lista de contenido ya está ensamblada al producto cuando lo desempaqueta. El fabricante no ensambla las piezas de esta lista en el producto. Éstas deben ser instaladas por el usuario. El uso de un producto que puede haber sido ensamblado de forma inadecuada podría causar lesiones personales graves.

NOTA: Esta herramienta es pesada. Para evitar sufrir lesiones en la columna, levante con las piernas, no con la espalda, y obtenga ayuda cuando sea necesario.

- Inspeccione cuidadosamente la herramienta para asegurarse de que no haya sufrido ninguna rotura o daño durante el transporte.
- No deseche el material de empaquetado hasta que haya inspeccionado cuidadosamente la herramienta y la haya utilizado satisfactoriamente.
- Si hay piezas dañadas o faltantes, le suplicamos llamar al 1-800-242-4672, donde le brindaremos asistencia.

ARMADO

LISTA DE EMPAQUETADO

Lavadora de presión

Manguera de alta presión de 7,6 m (25 pies)

Almacenamiento de mango del gatillo

Mango del gatillo

Tornillo (1/4-20 x 1,65 pulg., cabeza troncoc. en cruz)

Tornillo (1/4-20 x 1,85 pulg., cabeza troncoc. en cruz)

Tornillo (1/4-20 x 2,27 pulg., cabeza troncoc. en cruz)

Tubo rociador

Boquilla intercambiable 5 en 1

Manguera de inyección con filtro

Arandela

Lubrificant moteur 4 temps (SAE30 ou SAE 10W30)

Almacenamiento de la manguera de alta presión

Manuel d'utilisation



ADVERTENCIA:

Si hay piezas dañadas o faltantes, no utilice esta herramienta sin haber reemplazado todas las piezas. Usar este producto con partes dañadas o faltantes puede causar lesiones serias al operador.



ADVERTENCIA:

No intente modificar esta herramienta ni hacer accesorios no recomendados para la misma. Cualquier alteración o modificación constituye maltrato, el cual puede causar una condición peligrosa, y como consecuencia a posibles lesiones serias.



ADVERTENCIA:

Para evitar un arranque accidental que podría causar lesiones corporales graves, siempre desconecte el cable de la bujía del motor de la bujía misma al ensamblar las piezas.

LEVANTAR Y BAJAR EL MANGO

Vea la figura 2.

- Para levantar el mango: tirar de la palanca hasta el pomo de liberación encaje en su posición de bloqueo. Asegúrese de que la traba esté asegurada en el agujero del bastidor antes de mover.
- Para bajar el mango (para guardar o transportar la lavadora de presión): tire de la perilla de afloje del mango hacia afuera y baje el mango a la posición abajo.

NOTA: El mango no puede trabarse en la posición abajo.

Nunca use el mango para levantar la lavadora de presión. El mango solo debe utilizarse para mover la unidad enrollándolo sobre sus ruedas.

INSTALACIÓN DEL ALMACENAMIENTO DE MANGO DEL GATILLO, SOPORTE DEL TUBO ROCIADOR Y SOPORTE DE ALMACENAMIENTO DE LA MANGUERA

Vea las figuras 3 - 4.

- Levantar el mango como se describe en la sección **Levantar y Bajar el Mango**.
- Coloque el almacenamiento de la manguera de alta presión en el mango como mostrado.
- Alinee los agujeros en el almacenamiento de la manguera de alta presión con los agujeros en el mango.
- Introduzca el tornillo (1/4-20 x 1,65 pulg.) por los agujeros del lado izquierdo del mango y del soporte de almacenamiento de la manguera.
- Enrosque la tuerca en el perno y ajuste firmemente.
- Coloque el almacenamiento de mango del gatillo en el mango como mostrado.
- Alinee los agujeros en el almacenamiento de mango del gatillo con los agujeros en el almacenamiento de la manguera de alta presión y el mango.
- Introduzca el segundo tornillo (1/4-20 x 2,27 pulg.) por los agujeros en el mango, el soporte de almacenamiento de la manguera y el mango del gatillo.
- Coloque la arandela en el perno. Luego, coloque la tuerca en el perno y apriétela.
- Coloque el soporte del tubo rociador en el armazón.
- Alinee los agujeros en el soporte del tubo rociador con los agujeros en el armazón.
- Introduzca el tornillo (1/4-20 x 1,85 in.) por los agujeros en el soporte del tubo rociador y el armazón.
- Enrosque la tuerca en el tornillo y ajuste firmemente.

ARMADO DEL TUBO ROCIADOR DE MANGO DEL GATILLO

Vea la figura 5.

- Coloque el extremo del tubo de roscado en el conector del extremo del mango del gatillo.
- Gire a la derecha el conector hasta que se detenga. De esta manera se asegura en su lugar el tubo de rociado.

CONECTAR DE LA MANGUERA DE ALTA PRESIÓN AL MANGO DEL GATILLO

Vea la figura 6.

- Enrosque el casquillo de la manguera de alta presión en el acoplador de entrada del mango del gatillo; para ello, gire a la derecha el casquillo de la manguera.
- Tire de la manguera para asegurarse de que esté debidamente asegurada.

ARMADO

CONECTAR DE LA MANGUERA DE ALTA PRESIÓN A LA BOMBA

Vea la figura 7.

Después de desenrollar la manguera de presión y de conectarla al tubo rociador:

- Alinee el casquillo con la conexión roscada de la bomba.
- Coloque el extremo del casquillo de la manguera de alta presión en la conexión roscada.
- Gire a la derecha el casquillo y fije firmemente la manguera a la bomba.
- Tire de la manguera para asegurarse de que esté debidamente asegurada.

PRECAUCIÓN:

No haga funcionar la bomba de la lavadora a presión sin que el suministro de agua esté conectado y encendido, dado que esto puede dañar los sellos de alta presión y disminuir la vida útil de la bomba. Desenrolle completamente la manguera de su carrete o espiral y asegúrese de que la manguera no esté restringida por neumáticos, rocas ni cualquier otro objeto que pueda disminuir o impedir el flujo de agua a la lavadora a presión.

CÓMO CONECTAR UNA MANGUERA DE JARDÍN A LA LAVADORA DE PRESIÓN

Vea la figura 8.

PRECAUCIÓN:

Siempre observe las normas locales cuando conecte las mangueras a la tubería principal de agua. En algunas áreas existen restricciones para la conexión directa al suministro público de agua potable a fin de evitar la retroalimentación de químicos al suministro de agua potable. La conexión directa a través de un tanque receptor o de una válvula contra reflujo suele estar permitida.

El suministro de agua debe venir de la tubería principal de agua. NUNCA use agua caliente o agua de piscinas, lagos, etc. Antes de conectar una manguera de jardín a la lavadora de presión:

- Deje correr agua por la manguera durante 30 segundos para limpiar toda la basura que pueda haber en el interior de la misma.
- Inspeccione el cedazo de la entrada de agua.
- Si está dañado el cedazo, no utilice la máquina sino hasta haber reemplazado aquél.
- Si está sucio el cedazo, límpielo antes de conectar la manguera de jardín a la máquina.

Para conectar una manguera de jardín a la máquina:

- Desenrolle la manguera de jardín.

NOTA: Debe haber un mínimo de 3 metros (10 pies) de manguera sin ninguna restricción en el flujo de la misma, entre la entrada de la lavadora de presión y el grifo o válvula de cierre (como un conector de cierre en "Y").

- Teniendo el grifo de la manguera completamente cerrado, conecte el extremo de la manguera de jardín a la entrada de agua. Efectúe el apriete con la mano.

CÓMO CONECTAR LA MANGUERA DE INYECCIÓN

Vea la figura 9 - 10.

Para poder utilizar detergente con esta máquina debe estar conectada la manguera de inyección.

- Monte firmemente el extremo abierto de la manguera transparente de inyección en el conector anillado ubicado en la parte posterior de la unidad.

NOTA: Mantenga flexible de inyección lejos de superficies calientes.

- Desmontaje la tapa de recipiente del detergente.
- Retire el filtro de la manguera de inyección.
- Cubierta de la tapa, deslice el flexible de inyección por el hoyo en la tapa.
- Empuje el filtro de inyección transparente en el fin de flexible de inyección y tire suficiente manga por la tapa tan el filtro de inyección transparente descansará en el fondo del recipiente del detergente.
- Reemplazará la tapa recipiente del detergente.

FUNCIONAMIENTO

ADVERTENCIA:

No permita que su familiarización con las herramientas lo vuelva descuidado. Tenga presente que un descuido de un instante es suficiente para causar una lesión grave.

ADVERTENCIA:

Siempre póngase protección ocular con protección lateral con la marca de cumplimiento de la norma ANSI Z87.1. Si no cumple esta advertencia, los objetos que salen despedidos pueden producirle lesiones serias en los ojos.

ADVERTENCIA:

No utilice ningún aditamento o accesorio no recomendado por el fabricante de esta herramienta. El empleo de aditamentos o accesorios no recomendados podría causar lesiones serias.

ADVERTENCIA:

Nunca dirija un chorro de agua en dirección de personas o animales, ni hacia dispositivos eléctricos. La inobservancia de esta advertencia podría causar lesiones serias.

FUNCIONAMIENTO

USOS

Esta herramienta puede emplearse para los fines enumerados abajo:

- Retire la suciedad y el moho de las terrazas, patios de cemento y revestimientos de paredes
- Para limpiar barcos deportivos, motocicletas, muebles para el exterior y parrillas para asar

ABASTECIMIENTO DE LUBRICANTE DEL MOTOR

Vea la figura 11.

NOTA: Esta máquina se embarcó con cerca de dos onzas de lubricante de las pruebas en el motor. **Es necesario abastecer de lubricante el motor antes de arrancarlo por primera vez.**

PRECAUCIÓN:

Cualquier intento de arrancar el motor sin abastecerlo de lubricante puede causar la descompostura del mismo.

- Coloque la lavadora de presión sobre una superficie horizontal nivelada.
- Desenrosque la tapa del aceite con varilla de nivel; para ello, gírela a la izquierda.
- Vierta el lubricante para motor de cuatro tiempos (SAE 30 o SAE 10W30), agregue lubricante de motor hasta que el nivel de líquido se eleve hasta la porción superior del área cubierta de la varilla de nivel (se suministran 18 onzas de lubricante para motor de cuatro tiempos). **No lo llene en exceso.**
- Vuelva a colocar la tapa del aceite con varilla de nivel y apriétela firmemente.

NOTA: Este motor tiene una capacidad de lubricante de 20 oz.

COMBUSTIBLES OXIGENADOS

NO USE COMBUSTIBLE E85. ANULARÁ SU GARANTÍA.

NOTA: No están cubiertos en la garantía los problemas de desempeño o daños al sistema de combustible producidos por el uso de un combustible oxigenado con un contenido superior a los porcentajes de alcohol o compuesto de éter señalados abajo.

Etanol. Las gasolinas con un contenido de 10% de etanol por volumen (comúnmente conocida como E10) son aceptables. La E85 no lo es.

ABASTECIMIENTO DEL TANQUE DE GASOLINA

Vea la figura 12.



ADVERTENCIA:

La gasolina y los vapores de la misma son extremadamente inflamables y explosivos. Para evitar lesiones y daños físicos serios, maneje con cuidado la gasolina. Manténgala lejos de fuentes de ignición, manéjela solamente al aire libre, no fume mientras vierta la gasolina y limpie de inmediato cualquier derramamiento que ocurra.

Al abastecer de gasolina la lavadora de presión, asegúrese de que la unidad esté asentada en una superficie horizontal nivelada. Si está caliente el motor, permita que se enfríe la lavadora de presión antes de reabastecerla de gasolina. SIEMPRE llene el tanque al aire libre y teniendo apagada la máquina.

NOTA: Use sólo gasolina sin plomo. No mezcle con lubricante la gasolina.

- Antes de retirar la tapa del combustible, limpie el área circundante de la unidad. Retire la tapa del combustible.
- Introduzca un embudo limpio en el tanque de combustible y después vierta lentamente la gasolina en el tanque. Llene el tanque hasta una altura aproximada de 38 mm (1-1/2 pulg.) abajo de la parte superior del cuello del tanque (para permitir la expansión del combustible).
- Reemplace la tapa de combustible y ajústela hasta que la tapa haga un sonido de “clic”.
- Limpie todo combustible derramado antes de encender la máquina.



ADVERTENCIA:

Siempre apague el motor antes de abastecer el combustible. Nunca agregue combustible a una máquina con el motor en marcha o caliente. Aléjese por lo menos 9 metros (30 pies) del sitio de reabastecimiento de combustible antes de encender el motor. ¡No fume y evite las llamas abiertas! La inobservancia de esta advertencia puede causar lesiones serias.

ENCENDIDO Y APAGADO DE LA LAVADORA DE PRESIÓN

Vea las figuras 13 y 14.

PRECAUCIÓN:

No haga funcionar la bomba de la lavadora a presión sin que el suministro de agua esté conectado y encendido, dado que esto puede dañar los sellos de alta presión y disminuir la vida útil de la bomba. Desenrolle completamente la manguera de su carrete o espiral y asegúrese de que la manguera no esté restringida por neumáticos, rocas ni cualquier otro objeto que pueda disminuir o impedir el flujo de agua a la lavadora a presión.

Antes de arrancar el motor:

- Conecte todas las mangueras.
- Revise todos los fluidos (lubricante y gasolina).
- Abra el grifo del agua y luego oprima gatillo para purgar la presión de aire; mantenga oprimido el gatillo hasta que aparezca un chorro de agua estable.

Para arrancar el motor:

- Ponga la válvula de combustible en la posición ON (ENCENDIDO).
- Ponga el interruptor de encendido y apagado en la posición ON (marcha).
- Tire del anegador en la posición de START (ARRANQUE).
- Sujete el mango del arrancador con cuerda y tire lentamente hasta que encuentre resistencia. Arranque el motor con un tirón corto y rápido del mango del arrancador con cuerda.

NOTA: No permita que el mango del arrancador con cuerda vuelva a calzar en su lugar una vez encendido. Colóquelo nuevamente en su lugar original con cuidado.

FUNCIONAMIENTO

PRECAUCIÓN:

Si el motor no arranca luego de tirar del mango del arrancador con cuerda, apriete el gatillo para liberar la presión del agua antes de intentar arrancar el motor nuevamente.

- Deje que el motor funcione varios segundos. Luego, deslice gradualmente la palanca del anegador hasta que alcance la posición RUN (funcionamiento).

Para apagar el motor:

- Ponga el interruptor de encendido y apagado en la posición OFF (apagado).
- Ponga la válvula de combustible en la posición OFF (APAGADO).
- Cierre el suministro de agua. Oprima el gatillo para purgar el agua.



ADVERTENCIA:

Sujete firmemente con ambas manos el mango. Al tirar del gatillo, puede que el mango de gatillo se mueva debido a fuerzas de reacción. La inobservancia de esta advertencia puede ocasionar la pérdida de control y lesiones personales y a otros.

USO DEL MANGO DEL GATILLO

Vea la figura 15.

- Para iniciar el chorro de agua, oprima y no suelte el gatillo.
- Para interrumpir el flujo del chorro de agua por la boquilla, suelte el gatillo.

Para accionar el seguro:

- Suba el seguro hasta dejarlo trabado en la ranura.

Para quitar el seguro:

- Baje el seguro a su posición original.

Para lograr la limpieza más eficaz, la boquilla rociadora debe estar de 203 a 610 mm (de 8 a 24 pulg.) de la superficie por limpiar. Si está demasiado cerca del chorro, puede dañar la superficie que está limpiándose.

INSTALAR Y DESMONTAJE LAS BOQUILLAS

Vea la figura 16.



ADVERTENCIA:

NUNCA cambie boquillas sin trabar el seguro de apagado en el mango de gatillo y NUNCA apunte el rociador hacia su cara o la de otros. La característica de conexión rápida contiene resortes pequeños que pueden expulsar la boquilla con cierta fuerza. La inobservancia de esta advertencia podría causar lesiones personales.

Con el casquillo de conexión rápida es fácil cambiar la boquilla.

Para conectar una boquilla al mango de gatillo:

- Apague la lavadora de presión y cierre el suministro de agua. Oprima el gatillo para purgar el agua.
- Accione el seguro en el mango de gatillo; para ello, suba aquél hasta que se traben en la ranura.
- Empuje la boquilla hacia el interior del casquillo de conexión rápida hasta que se traben en su lugar y quede debidamente asegurado.



Para desconectar la boquilla del mango de gatillo una vez comenzado el trabajo de limpieza:

- Apague la lavadora de presión y cierre el suministro de agua. Oprima el gatillo para purgar el agua.
- Accione el seguro en el mango de gatillo; para ello, suba aquél hasta que se traben en la ranura.
- Retire la boquilla del casquillo de conexión rápida hacia atrás. Coloque la boquilla en el lugar donde se guardan éstas.

USO DE LA BOQUILLA INTERCAMBIABLE 5 EN 1

Vea la figura 17.

Hay cinco ajustes de patrón de rociado ubicados en la boquilla intercambiable 5 en 1. Para seleccionar un patrón de rociado, gire el selector de rociado al ajuste deseado.

Boquilla	Aplicación
0°	Limpieza de puntos concentrados en áreas altas y difíciles de alcanzar <ul style="list-style-type: none">• Eliminación de tierra seca proveniente de grandes equipos rurales, de construcción o de jardinería• Limpieza de alquitrán, pegamento o manchas persistentes de concreto• Limpieza de áreas elevadas• Eliminación de herrumbre del acero y de óxido del aluminio
25°	Para usos generales o grandes superficies <ul style="list-style-type: none">• Limpieza general de suciedad y tierra• Limpieza de techos, canalones y bajantes• Eliminación de manchas ligeras de moho• Eliminación de algas y bacterias acumuladas en piscinas• Enjuague de superficies en preparación para ser pintadas
40°	Para un ángulo amplio de enjuague <ul style="list-style-type: none">• Limpieza y lavado ligeros• Lavado y enjuague de superficies pintadas y botes• Limpieza de techos, ventanas, patios y aceras
 Short Range Detergent	Para aplicación de detergente a corto plazo
 Long Range Detergent	Para aplicación de detergente largo plazo

FUNCIONAMIENTO

USO DE LA MANGUERA DE ALTA PRESIÓN

La manguera de alta presión tiene un revestimiento externo que la fortalece. Si el revestimiento externo se daña, se debe reemplazar la manguera inmediatamente. **No use la manguera de alta presión si el revestimiento externo está dañado.**

Para evitar que el revestimiento externo se dañe:

- Inspeccione la manguera antes de cada uso.
- Desenrosque y estire la manguera antes de usarla.
- Evite que la manguera de alta presión se retuerza.
- Mantenga la manguera alejada de superficies calientes y bordes filosos.
- No arrastre la unidad cerca de la manguera de alta presión.
- Evite que otros objetos aplasten la manguera o que ésta se enrede con otros objetos.

LAVADO CON DETERGENTE

Vea las figuras 18 y 19.

Use sólo detergentes diseñados para lavadoras de presión; los detergentes caseros, soluciones ácidas, alcalinas, blanqueadores, solventes, materiales inflamables o de grado industrial pueden dañar la bomba. Numerosos detergentes requieren mezclarse antes de usarse. Prepare la solución de limpieza de conformidad con las instrucciones de la botella correspondiente.

- Quite la tapa de la recipiente del detergente y vierta detergente en el recipiente. Vuelva la tapa del recipiente.
- Gire el selector de rociado en la boquilla intercambiable 5 en 1 al ajuste de detergente de corto alcance [♥] o de detergente de largo alcance [♥♥].
- Rocíe el detergente en una superficie seca, con pasadas largas uniformes traslapadas. Para evitar la formación de franjas, no permita que seque el detergente en la superficie.

NOTA: Para utilizar una botella de detergente, abra la tapa de la recipiente del detergente. Próximo, quita el filtro del fin de la manguera de inyección entonces resbaladero la manguera fuera de la tapa. Coloque la espalda del filtro de manguera de inyección en la manga y coloque la manga en el fondo de la botella.

Para aplicación de detergente a largo plazo:

Con la boquilla instalada en el tubo rociador y el motor apagado, gire el selector de rociado al ajuste de detergente de largo alcance [♥♥].

Para aplicación de detergente a corto plazo:

Con la boquilla instalada en el tubo rociador y el motor apagado, gire el selector de rociado al ajuste de detergente de corto alcance [♥].

Antes de apagar el motor:

- Coloque la manguera de inyección en un balde de agua limpia.
- Lávela internamente durante uno o dos minutos (expulse agua limpia por el tubo rociador).
- Apague el motor.

NOTE: Apagando el motor NO se purga del sistema la presión interna. Oprima el gatillo para purgar el agua a presión.

ENJUAGADO CON LA LAVADORA DE PRESIÓN

- Apague la lavadora de presión y cierre el suministro de agua. Oprima el gatillo para purgar el agua.
- Accione el seguro del mango de gatillo; para ello, suba aquél hasta que se traben en la ranura.
- Gire el selector de rociado en la boquilla intercambiable 5 en 1 al ajuste [40°], [25°] o [0°], según la tarea. Consulte el cuadro en la sección Uso de la boquilla intercambiable 5 en 1 para determinar el ajuste adecuado para su aplicación.
- Cuando utilice estos ajustes, pruebe en un área pequeña primero para evitar dañar la superficie.
- Comience por la parte superior por enjuagar y avance hacia abajo, traslapando cada pasada.

TRASLADO DE LA LAVADORA DE PRESIÓN

Vea la figura 20.

NOTA: Nunca alce o mueva este producto tomándolo por el mango móvil y nunca coloque la unidad en una posición distinta de la vertical, sobre sus ruedas.

- Apague la lavadora de presión y ponga la válvula de combustible en la posición apagado.
- Tire del mango hacia arriba hasta que la perilla de afloje del mango quede en la posición asegurada (si ya no está hacia arriba y asegurada). Asegúrese de que la traba esté asegurada en el agujero del bastidor antes de mover.
- Incline la máquina hacia usted hasta equilibrarla sobre las ruedas y después empújela a la posición deseada.

Para almacenar la unidad a largo plazo, vea Cómo almacenar la lavadora a presión en la sección Mantenimiento de este manual.

MANTENIMIENTO

ADVERTENCIA:

Al dar servicio a la unidad, sólo utilice piezas de repuesto idénticas. El empleo de piezas diferentes podría causar un peligro o dañar el producto.

ADVERTENCIA:

Siempre póngase protección ocular con protección lateral con la marca de cumplimiento de la norma ANSI Z87.1. Si no cumple esta advertencia, los objetos que salen despedidos pueden producirle lesiones serias en los ojos.

ADVERTENCIA:

Antes de inspeccionar, limpiar o dar servicio a la máquina, apague el motor, espere a que se detengan todas las piezas en movimiento, desconecte el cable de la bujía y aléjelo de ésta. El incumplimiento de cualquiera de estas instrucciones podría causar lesiones serias.

MANTENIMIENTO GENERAL

Evite el empleo de solventes al limpiar piezas de plástico. La mayoría de los plásticos son susceptibles a diferentes tipos de solventes comerciales y pueden resultar dañados. Utilice paños limpios para eliminar la suciedad, el polvo, el aceite, la grasa, etc.

ADVERTENCIA:

No permita en ningún momento que fluidos para frenos, gasolina, productos a base de petróleo, aceites penetrantes, etc., lleguen a tocar las piezas de plástico. Las sustancias químicas pueden dañar, debilitar o destruir el plástico, lo cual a su vez puede producir lesiones corporales serias.

Solamente las piezas mostradas en la lista de piezas pueden ser reparadas o cambiadas por el consumidor. Todas las piezas restantes deben ser reemplazadas en un centro de servicio autorizado.

Antes de encender el motor realice los siguientes pasos previos:

- Verifique que todos los pernos, tuercas, etc., estén firmemente apretados.
- Asegúrese de que esté limpio el filtro.
- Revise tanto el nivel de aceite del motor como el nivel del tanque de combustible; reabastézcalos según sea necesario.
- Inspeccione el área de trabajo para ver si hay peligros presentes.
- Si hay ruido o vibración excesivos, apague de inmediato la unidad.

MANTENIMIENTO DE LAS BOQUILLAS

Vea la figura 21.

La presión excesiva de la bomba (se siente una sensación de pulsación al estar oprimiendo el gatillo) puede deberse a que la boquilla está tapada o sucia.

- Apague la lavadora de presión y cierre el suministro de agua. Oprima el gatillo para purgar el agua.
- Retire la boquilla del tubo rociador.
NOTA: Nunca se apunte el tubo rociador a la cara.
- Con un clip para papel abierto o una herramienta para limpiar boquillas (no viene incluida), libere la boquilla de las obstrucciones producidas por material extraño.
- Con una manguera de jardín expulse de la boquilla toda la basura presente con un contraflujo (haciendo pasar hacia atrás agua por la boquilla, o sea del exterior hacia el interior).
- Vuelva a conectar la boquilla al tubo rociador.
- Abra el suministro de agua y arranque el motor.

LIMPIEZA DEL FILTRO DE AIRE

Vea la figura 22.

Un filtro sucio puede causar dificultades de arranque, pérdida de rendimiento y acortar la vida útil del motor. Inspeccione mensualmente el filtro de aire. Para lograr un desempeño óptimo de la unidad, reemplace el filtro de aire por lo menos una vez al año.

- Empuje la orejeta la tapa del filtro de aire para abrir y retire la tapa del filtro de aire.
- Levante cuidadosamente el borde del filtro de aire y retírelo.
- Lave el filtro de aire con agua jabonosa tibia.
- Enjuáguelo y estrújelo para secarlo.
NOTA: Asegúrese de que el filtro esté asentado correctamente en el interior de la tapa. Si se instala de forma incorrecta el filtro el polvo entra en el motor y causa un rápido desgaste del mismo.
- Vuelva a instalar la tapa del filtro de aire.

REVISIÓN DE LA BUJÍA

Vea la figura 23.

- Limpie el área alrededor de la base de la bujía antes de retirarla para evitar que la suciedad y los desechos ingresen en el motor. Retire la bujía.
- Limpie los depósitos de carbón de los electrodos de la bujía con un limpiador para bujías o un cepillo de alambre. Reemplace la bujía si está gastada. (Bougie recommandée : BPR6HS (NGK) ou l'équivalent.)
- Verifique el espacio interelectrónico. El espacio interelectrónico debe ser de 0,7 mm a 0,8 mm (0,028 in a 0,032 in). Ajuste el espacio, si es necesario, doblando con cuidado el electrodo de conexión a tierra.
- Réinstalar la bujía. Ajuste firmemente.

MANTENIMIENTO

CAMBIO DE ACEITE DE MOTOR

Vea la figura 24.

- Apague el motor.
- Limpie el área alrededor de la tapa del aceite/varilla de nivel de aceite y, luego, retire la tapa del aceite/varilla de nivel del aceite.
- Incline la lavadora a presión sobre el costado, como se muestra. Drene el aceite en un recipiente aprobado.
NOTA: Drene el aceite mientras esté tibio el motor, no caliente. El aceite tibio se drena con mayor facilidad y compleción.
- Después de que el cárter se drene por completo, vuelva a colocar la lavadora a presión en la posición vertical.
- Llene con lubricante siguiendo las instrucciones de la sección **Agregado de lubricante al motor**, que aparece más arriba en este manual.

NOTA: Consulte las normas de desecho de residuos peligrosos de la localidad donde se encuentre para averiguar la forma correcta de desechar el combustible usado.

LUBRICACIÓN DE LA BOMBA

La bomba de esta herramienta están lubricados con suficiente cantidad de aceite de alta calidad para toda vida útil de la unidad en condiciones normales de funcionamiento. Por lo tanto, no se necesita lubricación adicional de los cojinetes.

GUARDADO DE LA LAVADORA DE PRESIÓN

Vea la figura 25.

Guarde la lavadora de presión con el tanque de gasolina vacío; para ello, mantenga encendida la máquina hasta agotar el combustible. Permita un período de enfriamiento de 30 minutos antes de guardar la máquina. Nunca almacene la unidad en una posición distinta de la vertical, sobre sus ruedas.

Guarde la unidad en un lugar seco y cubierto, en el cual no pueda resultar dañada a la intemperie.

Es importante guardar este producto en un área protegida contra la congelación. Siempre vacíe todas las mangueras, la bomba, el tanque de combustible y el recipiente del detergente antes de guardar la unidad.

NOTA: Si utiliza un estabilizador de combustible y un protector de bombas obtendrá un mejor desempeño de la bomba y aumentará la vida de servicio de la máquina.

Descarga de combustible:

Mantenga encendida la máquina hasta agotar el combustible. La gasolina puede echarse a perder en 30 días.

Aceite del motor:

Drene el aceite viejo y reemplácelo con aceite nuevo limpio.

Bujía:

- Desconecte el cable de la bujía y retire ésta. Vierta cerca de una cucharada chica de aceite limpio para motor de cuatro tiempos a través del agujero de la bujía, en el interior de la cámara de combustión.
- Teniendo la bujía afuera, tire de la cuerda del arrancador dos o tres veces para recubrir el interior de la pared del cilindro.
- Inspeccione la bujía y límpiela o reemplácela según sea necesario.
- Vuelva a instalar la bujía, pero deje desconectado el cable de la misma.

Filtro de aire:

- Limpie el filtro de aire.

Mangueras y bomba:

Lave interiormente la manguera de inyección con agua limpia durante uno o dos minutos. Retire las mangueras. Vacíe la bomba; para ello, tire del arrancador retráctil seis veces aproximadamente. De esta manera se elimina de la bomba la mayoría del líquido.

Mango:

- Tire de la perilla de afloje del mango hacia afuera y baje el mango a la posición abajo.

PREPARACIÓN DE LA UNIDAD PARA USARLA DESPUÉS DE TENERLA GUARDADA

- Tire del arrancador retráctil tres o cuatro veces para limpiar el aceite de la cámara de combustión.
- Retire la bujía del cilindro. Limpie el aceite de la bujía y vuelva a ponerla en el cilindro.
- Vuelva a conectar el cable de la bujía.
- Reabastezca de combustible la máquina de la forma descrita anteriormente en el manual del operador.

MANTENIMIENTO

CALENDARIO DE MANTENIMIENTO PERIÓDICO

Artículos de mantenimiento	Cada uso	20 horas	50 horas
Verifique las fugas y las piezas sueltas	•		
Revise y reabastezca el lubricante de motor	•		
Cambie el lubricante de motor*		•	
Limpie la bujía		•	
Limpie el filtro de aire		•	
Reemplace el elemento del filtro de aire			•
Limpie la tapa de combustible			•
Limpie y ajuste la bujía y los electrodos			•
Reemplace la bujía			•
Retire el carbón de la culata del cilindro**			•
Revise y ajuste la holgura de la válvula**			•
Limpie y ajuste el carburador**			•
Revise los conductos de combustible			•

*Se debe realizar el cambio inicial de lubricante después de las primeras 20 horas de funcionamiento. A partir de ese momento, cambie el lubricante cada 50 horas. Elimine los desechos de lubricante en forma segura y responsable. No los vierta en los drenajes de aguas cloacales, en la tierra del jardín ni en arroyos de agua abiertos. Los reglamentos locales de zonificación o protección ambiental suministran instrucciones más detalladas sobre la forma correcta de eliminación.

**En cuanto a los procedimientos para estas tareas, consulte a su distribuidor de servicio Subaru más cercano.

SOLUCIÓN DE PROBLEMAS

PROBLEMA	CAUSA	SOLUCIÓN
El motor no arranca	<p>No hay combustible en el tanque</p> <p>Falló o tiene corta la bujía</p> <p>Se rompió la bujía (se rajó la porcelana o se rompieron los electrodos)</p> <p>El cable de ignición tiene corto, está roto o desconectado de la bujía caso</p> <p>El sistema de ignición no funciona</p>	<p>Reabastezca el tanque</p> <p>Reemplace la bujía</p> <p>Reemplace la bujía</p> <p>Reemplace el cable de ignición o conéctelo a la bujía</p> <p>Comuníquese con un centro de servicio autorizado</p>
Cuesta trabajo arrancar el motor	<p>Hay agua en la gasolina</p> <p>Está débil la chispa de la bujía</p>	<p>Drene todo el sistema y reabastézcalo con combustible nuevo</p> <p>Comuníquese con un centro de servicio autorizado</p>
Le falta potencia al motor	Está sucio el filtro de aire	Limpie o reemplace el filtro de aire
El detergente no está mezclándose en el rocío	<p>La manguera de inyección del detergente no está sumergida correctamente</p> <p>El selector de rociado en la boquilla intercambiable 5 en 1 está ajustado para [40°], [25°] o [0°]</p>	<p>Introduzca la manguera de inyección en el recipiente o botella del detergente</p> <p>Gire el selector de rociado en la boquilla intercambiable 5 en 1 al ajuste de detergente de corto alcance [♥] o de detergente de largo alcance [♦].</p>
La bomba no genera presión	<p>El selector de rociado en la boquilla intercambiable 5 en 1 está ajustado para detergente de corto alcance [♥] o de detergente de largo alcance [♦].</p> <p>El suministro de agua es inadecuado</p> <p>Présence de fuites dans la ango del gatillo o tubo de rociador</p> <p>Está tapada la boquilla</p> <p>Está defectuosa la bomba</p> <p>Aire en el conductor</p>	<p>Gire el selector de rociado en la boquilla intercambiable 5 en 1 al ajuste de [40°], [25°], o [0°] setting</p> <p>Suministre un flujo de agua adecuado</p> <p>Verifique las conexiones y/o tiene fugas reemplace el mango del gatillo tubo de rociador</p> <p>Limpie la boquilla</p> <p>Comuníquese con un centro de servicio autorizado</p> <p>Oprima el gatillo el mango del gatillo para eliminar el aire del conductor</p>
La máquina no alcanza presión alta	<p>Está demasiado pequeño el diámetro de la manguera de jardín</p> <p>Está restringido el suministro de agua</p> <p>No hay suficiente agua en la entrada</p> <p>El selector de rociado en la boquilla intercambiable 5 en 1 está ajustado para detergente de corto alcance [♥] o de detergente de largo alcance [♦].</p>	<p>Reemplácela con una manguera de 19 mm (3/4 pulg)</p> <p>Revise la manguera de jardín para ver si tiene dobleces, fugas o bloqueos</p> <p>Abra el suministro de agua a toda su capacidad</p> <p>Gire el selector de rociado en la boquilla intercambiable 5 en 1 al ajuste de [40°], [25°], o [0°] setting</p>

GARANTÍA

GARANTÍA FEDERAL DE DEFECTOS EN COMPONENTES GENERADORES DE EMISIONES

COBERTURA DE LA GARANTÍA DE DEFECTOS EN COMPONENTES GENERADORES DE EMISIONES - Esta garantía contra emisiones es aplicable en todos los estados, excepto el Estado de California.

Fuji Heavy Industries Ltd. y Robin America Inc., Lake Zurich, Illinois, (a quien en este documento se le llamará "ROBIN AMERICA") garantiza al comprador al menudeo inicial y a cada propietario subsiguiente, que este motor no vehicular (a quien en este documento se le llamará "motor") ha sido diseñado, construido y está equipado para cumplir, al momento de la venta inicial, con todas las normativas aplicables de la Agencia de Protección Ambiental de los EE.UU. (EPA), y que el motor está exento de defectos en materiales y mano de obra que pudiesen causar que este motor no cumpla con las normativas de la EPA durante el período de la garantía.

Para los componentes incluidos en la lista de PIEZAS CON COBERTURA, el concesionario de servicio autorizado de ROBIN AMERICA, efectuará, sin costo para usted, los diagnósticos necesarios, las reparaciones o los reemplazos necesarios para cerciorarse que el motor cumpla con las normativas aplicables de la EPA de EE.UU.

PERÍODO DE GARANTÍA DE DEFECTOS EN COMPONENTES GENERADORES DE EMISIONES

El período de garantía para este motor comienza en la fecha de venta al comprador original y continuará vigente por un período de 3 años.

PIEZAS CON COBERTURA

A continuación se indican las piezas con cobertura en virtud de la Garantía de Defectos de Componentes Generadores de Emisiones. Algunas de las piezas que se indican a continuación quizá requieran mantenimiento programado y tendrán cobertura de la garantía hasta el primer punto de reemplazo programado para dicha pieza.

- (1) Sistema de medición de combustible
 - (i) Carburador y componentes internos (el regulador de presión o el sistema de inyección).
 - (ii) Sistema de control y retroalimentación de la relación aire/combustible, si fuese aplicable.
 - (iii) Sistema de enriquecimiento de mezcla para arranque en frío, si fuese aplicable.
 - (iv) Conjunto del regulador (combustible gaseoso, si fuese aplicable).
- (2) Sistema de inducción de aire
 - (i) Múltiple de entrada, si fuese aplicable.
 - (ii) Filtro de aire.
- (3) Sistema de ignición
 - (i) Bujías.
 - (ii) Sistema de ignición electrónico o magnético.
 - (iii) Sistema avance o retardo de la chispa, si fuese aplicable.
- (4) Múltiple de escape, si fuese aplicable
- (5) Componentes misceláneos utilizados en los sistemas antedichos
 - (i) Controles electrónicos, si fuese aplicable.
 - (ii) Mangueras, correas, conectores y conjuntos.
 - (iii) Conjunto de bloqueo del filtro (combustible gaseoso, si fuese aplicable).

CÓMO OBTENER SERVICIO BAJO GARANTÍA

Para obtener servicio en virtud de la garantía, lleve su motor al concesionario de servicio autorizado de Robin America más cercano. Lleve consigo el recibo de compra que indique la fecha de la compra de este motor. El concesionario de servicio autorizado de ROBIN AMERICA efectuará las reparaciones o ajustes necesarios en un plazo razonable y le suministrará una copia de la orden de reparación. Todas las piezas y accesorios reemplazados en virtud de esta garantía pasarán a ser propiedad de ROBIN AMERICA.

LO QUE NO ESTÁ CUBIERTO*

- * Las condiciones que resulten del uso no autorizado, uso indebido, ajustes erróneos (a menos que los hubiese efectuado el concesionario de servicio autorizado de ROBIN AMERICA en el curso de una reparación bajo garantía), modificaciones, accidentes, incumplimiento del uso de combustible y aceite recomendados, o no llevar a cabo los servicios necesarios de mantenimiento.
- * Las piezas de repuesto utilizadas para los servicios necesarios de mantenimiento.
- * Los daños consecuentes, tales como la pérdida de tiempo, incomodidades, pérdida del uso del motor o del equipo, etc.
- * Los diagnósticos y los cargos por inspección que no resulten en servicios elegibles en virtud de la garantía que se estén realizando.
- * Cualquier pieza de repuesto no autorizada, o el mal funcionamiento de piezas autorizadas debido al uso de piezas no autorizadas.

RESPONSABILIDADES DEL PROPIETARIO EN RELACIÓN CON LA GARANTÍA

Como propietario del motor, usted es responsable de la realización del mantenimiento necesario indicado en el manual del propietario. ROBIN AMERICA le recomienda conservar todos los recibos y facturas de mantenimiento de su motor, no obstante, ROBIN AMERICA no puede negar la cobertura de la garantía únicamente por la carencia de recibos o por no asegurarse el propietario de la realización de todo el mantenimiento programado.

Sin embargo, como propietario del motor, debe saber que ROBIN AMERICA puede negar la cobertura de la garantía si su motor o un componente del mismo ha fallado debido al abuso, descuido, mantenimiento indebido o modificaciones no autorizadas.

Al ocurrir un problema, usted es responsable de llevar el motor donde el concesionario de servicio autorizado de ROBIN AMERICA más cercano.

Si tiene alguna pregunta respecto a sus derechos y responsabilidades en virtud de la garantía, le recomendamos comunicarse con el departamento de Servicio a Clientes de Robin America al 1-630-350-8200 para obtener información.

ASPECTOS QUE DEBE SABER ACERCA DEL MANTENIMIENTO Y REPARACIONES BAJO LA GARANTÍA DEL SISTEMA DE CONTROL DE EMISIONES

Usted es responsable del mantenimiento apropiado del motor. Le recomendamos conservar todos los recibos y comprobantes de mantenimiento que cubren el desempeño del mantenimiento regular en caso de que surjan preguntas. Estos recibos y comprobantes de mantenimiento se transferirán a cada propietario subsiguiente del motor. ROBIN AMERICA se reserva el derecho de negar la cobertura de la garantía si el motor no ha recibido el debido mantenimiento. Sin embargo, no se negarán las reclamaciones en virtud de la garantía únicamente por no asegurarse de la realización de todo el mantenimiento necesario o por la carencia de comprobantes de mantenimiento.

EL MANTENIMIENTO, REEMPLAZO O REPARACIÓN DE DISPOSITIVOS Y SISTEMAS DE CONTROL DE EMISIONES PUEDE REALIZARLOS CUALQUIER ESTABLECIMIENTO O PERSONAL DE REPARACIONES; SIN EMBARGO, LAS REPARACIONES BAJO LA GARANTÍA DEBERÁ REALIZARLAS UN CONCESIONARIO DE SERVICIO AUTORIZADO DE ROBIN AMERICA. EL USO DE REPUESTOS QUE NO SEAN EQUIVALENTES EN RENDIMIENTO Y DURABILIDAD A LAS PIEZAS AUTORIZADAS PUEDE AFECTAR LA EFICACIA DEL SISTEMA DE CONTROL DE EMISIONES Y PUEDE INFLUIR EN LOS RESULTADOS DE LAS RECLAMACIONES BAJO GARANTÍA.

Si se utilizan piezas no autorizadas por ROBIN AMERICA como repuestos de mantenimiento o para la reparación de componentes que afectan el control de emisiones, le sugerimos cerciorarse que dichas piezas cuenten con la garantía de los fabricantes respectivos respecto a que son equivalentes a las piezas autorizadas por ROBIN AMERICA en rendimiento y durabilidad.

CÓMO PRESENTAR UNA RECLAMACIÓN

Todas las reparaciones que califican en virtud de esta garantía limitada deberá realizarlas un concesionario de servicio autorizado de ROBIN AMERICA. Si un componente relacionado con el sistema de emisiones resulta defectuoso durante el período de garantía, deberá notificarlo al departamento de Servicio a Clientes de Robin America al 1-630-350-8200 y se le recomendará el concesionario o proveedores de servicios bajo garantía apropiados para llevar a cabo la reparación bajo garantía.

GARANTÍA

DECLARACIÓN SOBRE LA GARANTÍA EN RELACIÓN CON EL CONTROL DE EMISIONES DE CALIFORNIA DERECHOS Y OBLIGACIONES DEL CONSUMIDOR SEGÚN LA GARANTÍA

La Junta de Recursos Ambientales de California (California Air Resources Board) y Robin America Inc. (a quien en lo sucesivo se llamará "ROBIN AMERICA") tienen el gusto de explicarle la garantía del sistema de control de emisiones en su motor pequeño para uso fuera de carretera (SORE). En California, el SORE debe diseñarse, fabricarse y equiparse de manera que cumpla con las rigurosas normas estatales contra la contaminación del aire. ROBIN AMERICA debe garantizar que el sistema de control de emisiones en su SORE para los períodos descritos a continuación, siempre que no haya ocurrido abuso, negligencia o mantenimiento indebido de su SORE.

Es posible que el sistema de control de emisiones incluya piezas como el carburador o el sistema de inyección de combustible, las líneas de combustible y el sistema de encendido. También puede incluir mangueras, abrazaderas, conectores y otros conjuntos relacionados con las emisiones.

Cuando exista una condición que califique en virtud de la garantía, ROBIN AMERICA reparará su motor pequeño para uso fuera de carretera sin costo para usted, incluyendo el diagnóstico, los repuestos y otros componentes asociados.

COBERTURA DE LA GARANTÍA DEL FABRICANTE:

Estas sistema de control de emisiones tienen garantía de tres (3) años. Si una pieza relacionada con el sistema de emisiones de su motor está defectuosa, ROBIN AMERICA reparará o reemplazará la pieza.

RESPONSABILIDADES DEL PROPIETARIO EN VIRTUD DE LA GARANTÍA:

- Como propietario del SORE, usted es responsable de la realización del mantenimiento necesario indicado en el Manual del Propietario. ROBIN AMERICA le recomienda conservar todos los recibos y facturas de mantenimiento de su SORE, no obstante, ROBIN AMERICA no puede negar la cobertura de la garantía únicamente por la carencia de recibos.

- Sin embargo, como propietario del SORE, debe saber que ROBIN AMERICA puede negar la cobertura de la garantía si su SORE o un componente del mismo ha fallado debido al abuso, descuido o mantenimiento indebido o modificaciones no autorizadas.

- Usted es responsable de llevar su SORE a un centro de distribución o el centro de servicio autorizados por ROBIN AMERICA Inc. 940 Lively Blvd., Lake Zurich, IL 60047 tan pronto como ocurra un problema. Las reparaciones amparadas por la garantía deben realizarse en un plazo razonable y menor de 30 días.

Si usted tiene una pregunta con respecto a su alcance de la garantía, le recomendamos comunicarse con el departamento de Servicio a Clientes de Robin America al 1-630-350-8200.

ALCANCE GENERAL DE GARANTIA DE EMISIONES

- Sólo en California -

ROBIN AMERICA justifica al último comprador y cada comprador subsiguiente que la SORE (1) ha sido diseñado, fabricado y equipado para conformarse con todas normativas aplicables y (2) está exento de defectos en materiales y mano de obra que cause que el fracaso de una parte justificada conforme con esas regulaciones puede ser como aplicable en los términos y condiciones indicados abajo.

- a) El período de la garantía empieza en la fecha que el motor es entregado a un último comprador o primero colocado en el servicio. El período de la garantía es tres años.
- b) Sujeto a ciertas condiciones y exclusiones indicadas como abajo, la garantía en emisiones las partes relacionadas son así:
 - (1) Ninguna parte justificada que no se planifica para el reemplazo la conservación como requerida en su manual se justifica para el período de la garantía indicado arriba. Si la parte falla durante el período del alcance de la garantía, la parte se reparará o será reemplazada por ROBIN AMERICA según la subdivisión (4) abajo. Cualquiera tal parte reparó o reemplazó bajo garantía será justificado para el resto del período :
 - (2) Alguna parte justificada que se planifica sólo o para inspección regular en su manual se justifica para el período de la garantía indicado arriba. Cualquiera tal parte reparó o reemplazó bajo garantía será justificado por el período restante de la garantía.
 - (3) Alguna parte justificada que se planifica para el reemplazo la conservación como requerida en su manual se justifica para el espacio de tiempo antes de la primera fecha planificada del reemplazo para esa parte. Si la parte falla antes del primer reemplazo planificado, la parte se reparará o será reemplazada por ROBIN AMERICA según la subdivisión (4) abajo. Cualquiera tal parte reparó o reemplazó bajo garantía será justificado para el resto del período antes del primer punto planificado del reemplazo para la parte.
 - (4) Repare o el reemplazo de alguna parte justificada bajo las provisiones de la garantía en esto se debe realizar en una estación de la garantía en ninguna carga al dueño.
 - (5) A pesar de las provisiones en esto, la garantía atiende a o repara será proporcionado en todos nuestros centros de distribución que son otorgados la concesión para atender a los motores sujetos. that are franchised to service the subject engines.
 - (6) El dueño no debe ser cargado para el trabajo diagnóstico que lleva a la determinación que una parte justificada es de hecho defectuosa, con tal de que tal trabajo diagnóstico se realice en una estación de la garantía.
 - (7) ROBIN AMERICA es responsable de daños a otros componentes del motor próximamente causado por un fracaso bajo garantía de alguna parte justificada.
 - (8) A través del período de la garantía de motor indicado arriba, ROBIN AMERICA mantendrá que un suministro de partes justificadas suficientes para encontrar la demanda esperada para tales partes.
 - (9) Cualquier parte del reemplazo se puede utilizar en el desempeño de cualquier conservación de la garantía o reparaciones y debe ser proporcionada sin la carga al dueño. Tal uso no reducirá las obligaciones de la garantía de ROBIN AMERICA.
 - (10) Componente adicional o partes modificadas que no son eximidos por los Recursos Aéreos Abordar no puede ser utilizado. El uso de cualquiera componente adicional de no-eximido o partes modificadas por el último comprador serán el motivos para rechazar un reclamo de la garantía. ROBIN AMERICA no será responsable justificar los fracasos de partes justificadas causadas por el uso de un componente adicional de no-eximido ni parte modificada.

GARANTÍA

Cuando sea necesario efectuar reparaciones bajo garantía, será necesario llevar, en horas hábiles, el motor a un concesionario de servicio autorizado o a las instalaciones comerciales de una estación de servicio. En cualquier caso, la reparación bajo garantía puede demorar un tiempo razonable, no mayor de 30 días, para realizarse después que el concesionario de servicio autorizado o la estación de servicio bajo garantía reciba el motor.

MANTENIMIENTO, REEMPLAZO Y REPARACIÓN DE PIEZAS RELACIONADAS CON EL SISTEMA DE CONTROL DE EMISIONES

Para llevar a cabo cualquier trabajo de mantenimiento o reparación bajo garantía de los componentes relacionados con el control de emisiones únicamente deben utilizarse piezas de repuesto del motor aprobadas por ROBIN AMERICA. Si se utilizan piezas no autorizadas para el mantenimiento, reemplazo o reparación de componentes que afectan el control de emisiones, le sugerimos cerciorarse que dichas piezas cuenten con la garantía de los fabricantes respectivos respecto a que son equivalentes a las piezas autorizadas en cuanto a rendimiento y durabilidad. Sin embargo, ROBIN AMERICA no asume responsabilidad alguna en virtud de esta garantía respecto a las piezas que no estén autorizadas. El uso de piezas de repuesto no autorizadas no anulará la garantía aplicable a otros componentes a menos que dichas piezas no autorizadas sean la causa del daño a las piezas bajo garantía.

PIEZAS CON COBERTURA EN VIRTUD DE LA GARANTÍA EN RELACIÓN CON EL CONTROL DE EMISIONES DE CALIFORNIA

La reparación o el reemplazo de alguna parte justificada de otro modo elegible para el alcance de la garantía se pueden excluir de tal alcance de la garantía si ROBIN AMERICA demuestra que el motor se ha abusado, ha sido descuidado, o ha sido mantenido impropia y que tal abuso, el descuido, o la conservación impropia eran la causa

directa de la necesidad para la reparación o el reemplazo de la parte. Eso sin embargo, cualquier ajuste de un componente que tiene una fábrica instalada, y operando apropiadamente, el ajuste que limita dispositivo es todavía elegible para el alcance de la garantía. Las partes siguientes de la garantía de emisiones listan son cubiertas.

- (1) Sistema de medición de combustible
 - (i) Carburador y componentes internos (el regulador de presión o el sistema de inyección).
 - (ii) Sistema de control y retroalimentación de la relación aire/combustible, si fuese aplicable.
 - (iii) Sistema de enriquecimiento de mezcla para arranque en frío, si fuese aplicable.
 - (iv) Conjunto del regulador (combustible gaseoso, si fuese aplicable).
- (2) Sistema de inducción de aire
 - (i) Múltiple de entrada, si fuese aplicable.
 - (ii) Filtro de aire.
- (3) Sistema de ignición
 - (i) Bujías.
 - (ii) Sistema de ignición electrónico o magnético.
 - (iii) Sistema avance o retardo de la chispa, si fuese aplicable.
- (4) Múltiple de escape, si fuese aplicable
- (5) Sistemas de Evaporación
 - (i) Las líneas del Combustible.
 - (ii) Accesorios de línea de Combustible
 - (iii) Bote de carbón
 - (iv) Soporte de montaje de bote
 - (v) Conector de puerto de purga de carburador
 - (vi) Tanque de combustible
 - (vii) Tapa del tanque de combustible
 - (viii) Prensas

OPERACION ALTA DE MOTOR DE ALTITUD

Tenga por favor un comerciante autorizado del servicio del Petirrojo América modifica este motor si deberá ser corrido continuamente encima de 5000 pies (1500 metros). El fracaso para hacer puede tener como resultado así, el desempeño pobre de motor, fouling de bujía, empezando duramente, y las emisiones aumentadas.

La modificación del carburador por un comerciante autorizado del servicio del Petirrojo América mejorará el desempeño y permitirá que este motor encuentra EPA (la Organización de Protección del Medio Ambiente) y California ARB (los Recursos Aéreos Abordar) los estándares de la emisión a través de su vida útil.

Un motor convertido para altitudes altas no se puede correr en 5000 pies ni bajar. A hacer así, el motor recalentará y causará el daño grave de motor. Teng por favor un comerciante autorizado del servicio del Petirrojo América restaura la altitud alta motor es modificados a la especificación original de la fábrica antes de operar debajo de 5000 pies.

INDICE AEREO

Para mostrar la conformidad con regulaciones de emisión de California, un hangtag se ha proporcionado demostrando el nivel Aéreo del Índice y el período de la durabilidad de este motor.

El nivel Aéreo del Índice define cuán limpio un escape de motor está sobre un espacio de tiempo. Un gráfico de barras escaló de "0" (muy limpio) a "10" (menos limpia) es utilizado para mostrar un nivel Aéreo del Índice de motor. Un nivel más bajo del Índice del Aire representa el escape más limpio de un motor. El espacio de tiempo (en horas) que el nivel Aéreo del Índice se mide es conocido como el período de la durabilidad. Dependiendo del tamaño del motor, una selección de períodos de tiempo se puede utilizar para medir el nivel Aéreo del Índice (ve abajo).

Término descriptivo	Aplicable al Período de la Durabilidad de Emisiones
Modere	50 hora (motor de 0 a 80 cc) 125 horas (motor más que 0 a 80 cc)
Intermedios	125 horas (motor de 0 a 80 cc) 0 to 80 cc) 250 horas (motor más que 0 a 80 cc)
Extendió	300 horas (motor de 0 a 80 cc) 0 to 80 cc) 500 horas (motor más que 0 a 80 cc)

LA NOTA: Este hangtag debe quedarse en este motor o el aparato, y sólo es quitado por el último comprador antes de la operación.

Espacio libre de válvula
(La toma y el Escape)

0,12 mm (0,0047 pulg.)

NOTA: Ajusta el espacio libre de válvula mientras el motor tiene frío.

Período de Durabilidad de emisiones
(California sólo)

500 horas

GARANTÍA

DECLARACIÓN DE GARANTÍA LIMITADA NO APLICABLE AL MOTOR

Homelite Consumer Products, Inc., ("Homelite") garantiza al comprador original al menudeo que este producto de arandela de presión de marca de HOMELITE carece de defectos en los materiales y mano de obra y acuerda reparar o reemplazar, a la sola discreción de Homelite cualquier producto defectuoso sin cargo alguno dentro del plazo establecido después de la fecha de compra.

- Dos años si el producto se emplea para uso personal, familiar o casero;
- 90 días, si alguno de los productos mencionados arriba se emplean para cualquier otro uso, como el uso comercial o alquiler.

Esta garantía se otorga solamente al comprador original al menudeo, y comienza en la fecha de la compra original al menudeo.

Cualquier pieza de este producto fabricada o suministrada por Homelite y que se encuentre, a juicio razonable de Homelite, defectuosa en materiales o mano de obra será reparada o reemplazada sin cobro de piezas ni mano de obra por parte de un centro de servicio autorizado Homelite.

El producto, incluida toda pieza defectuosa, debe enviarse a un centro de servicio autorizado Homelite dentro del período de la garantía. El costo de enviar el producto al establecimiento para cualquier trabajo cubierto por la garantía así como el gasto de devolverlo al propietario después de la reparación correrán por cuenta del propietario. La responsabilidad de Homelite con respecto a todo reclamo se limita a las reparaciones o reemplazo del producto, y ningún reclamo de incumplimiento de la garantía será causante de la cancelación o rescisión del contrato de venta de ningún producto de marca HOMELITE. En el centro de servicio autorizado se requerirá el recibo de compra para respaldar cualquier reclamo al amparo de la garantía. Todo trabajo de garantía debe ser efectuado por un centro de servicio autorizado Homelite.

Esta garantía no cubre ningún producto e marca que haya estado sometido a uso indebido, maltrato, negligencia o accidente, o que haya sido utilizado de cualquier forma contraria a las instrucciones de manejo especificadas en el manual del operador del producto de marca. Esta garantía no cubre ningún daño sufrido por el producto de marca causado por un mantenimiento inadecuado, ni ningún producto los productos de marca que haya sido alterado o modificado de manera que haya resultado afectado desfavorablemente el funcionamiento, el desempeño o la durabilidad del producto, o haya cambiado el uso para el que fue diseñado. La garantía no cubre ninguna reparación necesaria por el desgaste normal ni por el uso de piezas o accesorios que sean incompatibles con el producto de arandela de presión de marca de HOMELITE, o afecten de forma desfavorable su funcionamiento, desempeño o durabilidad.

Además, esta garantía no cubre:

- A. Afinación – Filtros de aire, filtros de combustible, carburadores, bujías
- B. Componentes sujetos a desgaste – Manguera, accesorios conectores, boquillas de rociado, mango del gatillo, mango de rociado, ruedas, cubeta de detergente, tanque de productos químicos

Homelite se reserva el derecho de cambiar o mejorar el diseño de cualquier producto de arandela de presión de marca de HOMELITE sin asumir ninguna obligación de modificar ningún producto fabricado previamente.

TODAS LAS GARANTÍAS IMPLÍCITAS ESTÁN LIMITADAS EN DURACIÓN SEGÚN EL PERÍODO DE GARANTÍA DECLARADA. COMO CORRESPONDE, TODA GARANTÍA IMPLÍCITA, INCLUIDAS LAS DE COMERCIABILIDAD, IDONEIDAD PARA UN PROPÓSITO EN PARTICULAR, O DE CUALQUIER OTRO TIPO, SE DESCONOCE POR COMPLETO DESPUÉS DEL PERÍODO DE GARANTÍA CORRESPONDIENTE DE DOS AÑOS O 90 DÍAS. DE CONFORMIDAD CON ESTA GARANTÍA, LA OBLIGACIÓN DE HOMELITE CONSUMER PRODUCTS, INC. SE LIMITA ESTRUCTIVAMENTE A LA REPARACIÓN O REEMPLAZO DE LAS PIEZAS DEFECTUOSAS, Y HOMELITE CONSUMER PRODUCTS, INC. NO ASUME NINGUNA OTRA OBLIGACIÓN, NI AUTORIZA A NADIE ASUMIRLA A NOMBRE DE DICHA COMPAÑÍA. ALGUNOS ESTADOS NO PERMITEN LIMITACIONES EN CUANTO A LA DURACIÓN DE UNA GARANTÍA IMPLÍCITA, POR LO CUAL ES POSIBLE QUE LA LIMITACIÓN ANTERIOR NO SE APLIQUE EN SU CASO. HOMELITE CONSUMER PRODUCTS, INC., NO ASUME NINGUNA RESPONSABILIDAD POR DAÑOS INCIDENTES, CONSECUENTES, NI DE NINGÚN OTRO TIPO, COMO EL GASTO DE DEVOLVER EL PRODUCTO A UN CENTRO DE SERVICIO AUTORIZADO DE HOMELITE® Y LOS GASTOS PARA DEVOLVER DICHO PRODUCTO A SU PROPIETARIO RESPECTIVO, EL TIEMPO DE VIAJE DEL MECÁNICO, LLAMADAS TELEFÓNICAS O TELEGRAMAS, EL ALQUILER DE EQUIPOS SIMILARES DURANTE EL TIEMPO DE REALIZACIÓN DEL SERVICIO EN VIRTUD DE LA GARANTÍA, VIAJES, PÉRDIDAS O DAÑOS A ARTÍCULOS DE PROPIEDAD PERSONAL, PÉRDIDA DE INGRESOS, PÉRDIDA DE USO DEL PRODUCTO, PÉRDIDA DE TIEMPO, O INCONVENIENCIA; ALGUNOS ESTADOS NO PERMITEN LA EXCLUSIÓN NI LA LIMITACIÓN DE LOS DAÑOS DIRECTOS O INDIRECTOS, POR LO CUAL LA LIMITACIÓN O EXCLUSIÓN ANTERIOR QUIZÁS NO SE APLIQUE EN SU CASO.

Esta garantía le confiere derechos legales específicos, y es posible que usted goce de otros derechos, los cuales pueden variar de estado a estado.

Esta garantía se aplica a todos los productos de arandela de presión de marca de HOMELITE distribuido por Homelite Consumer Products, Inc. y vendidos en Estados Unidos, México, y Canadá.

Para localizar el establecimiento de servicio autorizado Homelite más cercano, llame al 1-800-242-4672, o visite nuestro sitio Web en www.homelite.com.

GARANTÍA

GARANTÍA LIMITADA DE MOTOR

(Vigente para motores comprados a Robin America, Lake Zurich, IL, después del 1 de abril de 2008)

Robin America, Inc., una división de Fuji Heavy Industries, Ltd. (a quien en este documento se le llamará "Subaru Robin"), garantiza que cada nuevo motor que venda estará, en condiciones de uso y servicio normales, exento de defectos en materiales y mano de obra durante el período indicado a continuación y a partir de la fecha de la venta al comprador al menudeo original. La obligación de Subaru Robin en virtud de esta Garantía Limitada habrá de limitar se a la reparación y reemplazo, a opción de Subaru Robin, de cualquiera de las piezas que después que se las inspeccionen tengan, a juicio de Subaru Robin, defectos de materiales o de mano de obra. Habrá de ser condición de la obligación de Subaru Robin en virtud de esta Garantía Limitada que Subaru Robin, directamente o a través de uno de sus Concesionarios o Centros de Servicio autorizados para llevar a cabo el mantenimiento del motor particular involucrado, reciba notificación oportuna de cualquier reclamación en virtud de la garantía y que el motor o las piezas presuntamente defectuosas se entreguen oportunamente, con flete prepagado, a dicho Concesionario o Centro de servicio para su inspección y reparación. Todas las reparaciones que califiquen en virtud de esta Garantía Limitada deberá realizarlas Subaru Robin, uno de sus Concesionarios autorizados o sus Centros de Servicio.

PLAZOS DE GARANTÍA:

Motores de gasolina Subaru de cuatro ciclos, series EX y EH, 4,3 hp o más

Limitada de 3 años garantía

Motores de PL/GN Subaru de cuatro ciclos, serie EH

Limitada de 3 años garantía

Mini motores de gasolina Subaru de cuatro ciclos, EH025, EH035, EH035V

Limitada de 2 años garantía

Motores de gasolina Subaru SP170, SP210 (Privado/Residencial)

Limitada de 3 años garantía

Motores de gasolina Subaru SP170, SP210 (Comercial)

Limitada de 1 año garantía

Motores de gasolina Subaru serie Rammer

Limitada de 2 años garantía

Motores de gasolina Subaru EA190V, EA175V (Privado/Residencial)

Limitada de 3 años garantía

Motores de gasolina Subaru EA190V, EA175V (Comercial)

Limitada de 1 año garantía

La reparación o reemplazo de cualquiera de las piezas amparadas por esta Garantía Limitada no habrá de prorrogar el plazo de la garantía del motor en exceso del plazo original estipulado anteriormente.

LIMITACIONES Y EXCLUSIONES: Esta Garantía Limitada no habrá de aplicarse a:

1. Cigüeñales doblados o rotos, ni a daños consecuentes causados por la vibración relacionada con un cigüeñal doblado o roto. Además, el daño causado por pernos sueltos de montaje del motor o por accesorios erróneos o desbalanceados, ni por aspas instaladas en el cigüeñal.

2. Las reparaciones necesarias debido al almacenamiento prolongado incluso los daños causados por combustible deteriorado por el tiempo o contaminado en el tanque de combustible, tuberías de combustible, o el carburador, válvulas pegajosas ni la corrosión u óxido de las piezas del motor.
3. Reparaciones necesarias debido al calentamiento excesivo. (Muy a menudo causado por sobrecargas o por volantes, ventiladores, pasajes de entrada de aire, aletas de enfriamiento o cubiertas de enfriamiento obstruidos, dañados o faltantes.)
4. El desgaste relacionado con la suciedad o mugre causado por el mantenimiento insuficiente del filtro de aire (que a menudo resulta en desgastes prematuros en el pistón, en los anillos del pistón, en los cilindros, en las válvulas, en las guías de las válvulas, en el carburador o en otros componentes internos).
5. Piezas rotas o abolladas como consecuencia de bajos niveles de aceite, aceite contaminado o grado erróneo de aceite.
6. Afinados de motor y servicio normal de mantenimiento entre los que se incluyen, el ajuste de válvulas, reemplazo normal de componentes de servicio, combustible y aceite lubricante, etc.
7. Cualquier motor que haya estado sujeto a negligencia, uso indebido, accidente, aplicación errónea o a exceso de velocidad.
8. Cualquier motor instalado, reparado o modificado por persona alguna y de tal manera, que a juicio de Subaru Robin, se afecte adversamente el rendimiento o fiabilidad de dicho motor.
9. Cualquier motor que se haya instalado o reparado con piezas o componentes que no hayan sido fabricados o autorizados por Subaru Robin, y que a juicio de Subaru Robin afecten el desempeño o fiabilidad de dicho motor.
10. Situaciones en las que el uso normal ha agotado la vida útil de un componente o de un motor.

El cliente es responsable de todos los gastos de transporte en conexión con cualquier trabajo bajo garantía.

Subaru Robin se reserva el derecho de cambiar, modificar o mejorar cualquier motor o sus componentes sin incurrir en la obligación alguna para modificar o reemplazar, cambiar motor o componentes vendidos anteriormente sin incurrir en obligación alguna de modificar o reemplazar ningún motor o componentes vendidos previamente sin incluir dicho cambio, modificación o mejora.

Ninguna persona está autorizada para otorgar ninguna otra garantía ni para asumir obligaciones adicionales en nombre y representación de Subaru Robin a menos que ello se haga por escrito y esté firmado por un funcionario directivo de Subaru Robin.

ESTA GARANTÍA, Y LA OBLIGACIÓN DE SUBARU ROBIN'S EXPRESADA EN EL PRESENTE DOCUMENTO, SUSTITUYEN CUALESQUIER OTRAS GARANTÍAS U OBLIGACIONES DE CUALQUIER ÍNDOLE, EXPRESAS O IMPLÍCITAS, INCLUSO CUALESQUIER GARANTÍAS DE COMERCIABILIDAD O IDONEIDAD PARA UN PROPÓSITO PARTICULAR. NO EXISTEN GARANTÍAS QUE SE EXTIENDAN SOBRE LO DESCRITO LITERALMENTE EN ESTE DOCUMENTO. EN NINGUNA CIRCUNSTANCIA, ROBIN AMERICA HABRÁ DE SER RESPONSABLE POR NINGÚN DAÑO CONSECUENTE O INCIDENTE.



2700 PSI PRESSURE WASHER
NETTOYEUR HAUTE PRESSION DE 2 700 PSI
LAVADORA A PRESIÓN DE 2 700 PSI

OPERATOR'S MANUAL

MANUEL D'UTILISATION
MANUAL DEL OPERADOR

UT80709
UT80911
All models

CALIFORNIA PROPOSITION 65

⚠ WARNING:

This product, its exhaust and other substances that may become airborne from its use may contain chemicals, including lead, known to the State of California to cause cancer, birth defects or other reproductive harm. **Wash hands after handling.**

PROPOSITION 65 DE LA CALIFORNIE

⚠ AVERTISSEMENT :

Ce produit, les gaz d'échappement qu'il dégage et les autres substances rejetées dans l'air à la suite de son utilisation peuvent contenir des produits chimiques, notamment du plomb qui, selon l'État de la Californie, peuvent causer le cancer, des anomalies congénitales et d'autres dommages au système reproducteur. **Bien se laver les mains après toute manipulation.**

CALIFORNIA - PROPUESTA DE LEY NÚM. 65

⚠ ADVERTENCIA:

Este producto, su escape y otras sustancias que puedan llegar a ser aerotransportadas por su uso pueden contener sustancias químicas (por ejemplo, plomo) consideradas por el estado de California como causantes de cáncer, defectos de nacimiento u otras alteraciones reproductivas. **Lávese las manos después de utilizar el aparato.**

SERVICE

For parts or service, contact your nearest Homelite authorized service dealer. Be sure to provide all relevant information when you call or visit. For the location of the authorized service dealer nearest you, please call 1-800-242-4672 or visit us online at www.homelite.com.

REPAIR PARTS

The model number of this product is found on a plate or label attached to the housing. Please record the serial number in the space provided below.

MODEL NO. _____

SERIAL NO. _____

• • • • •

DÉPANNAGE

Pour tout entretien ou réparation du produit, contacter le centre de réparations Homelite agréé le plus proche. Veiller à fournir toutes les informations pertinentes lors de tout appel téléphonique ou visite. Pour obtenir l'adresse du centre de réparations agréé le plus proche, téléphoner au 1-800-242-4672, ou visiter notre site www.homelite.com.

PIÈCES DE RECHANGE

Le numéro de modèle se trouve sur une plaquette ou étiquette placée sur le bâti. Noter le numéro de série dans l'espace ci-dessous.

NUMÉRO DE MODÈLE _____

NUMÉRO DE SÉRIE _____

• • • • •

SERVICIO

Para obtener piezas o servicio, comuníquese con el centro de servicio autorizado de Homelite más cercano. Asegúrese de proporcionar todos los datos pertinentes al llamar o al presentarse personalmente. Para obtener información sobre el establecimiento de servicio autorizado más cercano a usted, le sugerimos llamar al 1-800-242-4672 o visitar nuestro sitio en la red mundial, en la dirección www.homelite.com.

PIEZAS DE REPUESTO

El número de modelo de este producto se encuentra en una placa o etiqueta pegada a la caja del motor. Le recomendamos anotar el número de serie en el espacio suministrado abajo.

NÚMERO DE MODELO _____

NÚMERO DE SERIE _____

HOMELITE CONSUMER PRODUCTS, INC.

1428 Pearman Dairy Road, Anderson, SC 29625
 1-800-242-4672 • www.homelite.com