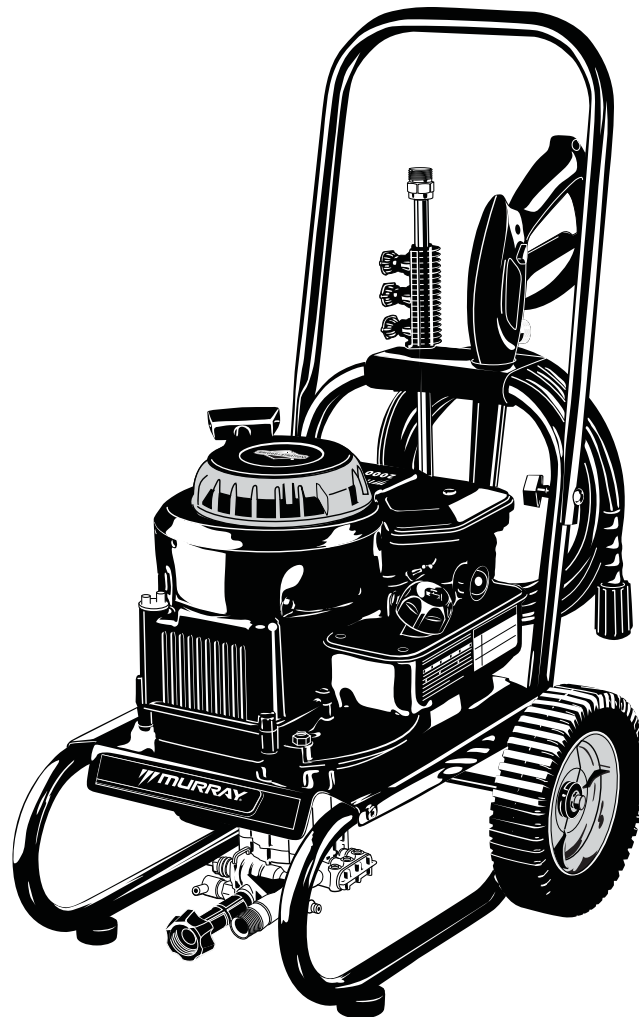




Illustrated Parts List

**Pressure Washer
Model 020393-0**



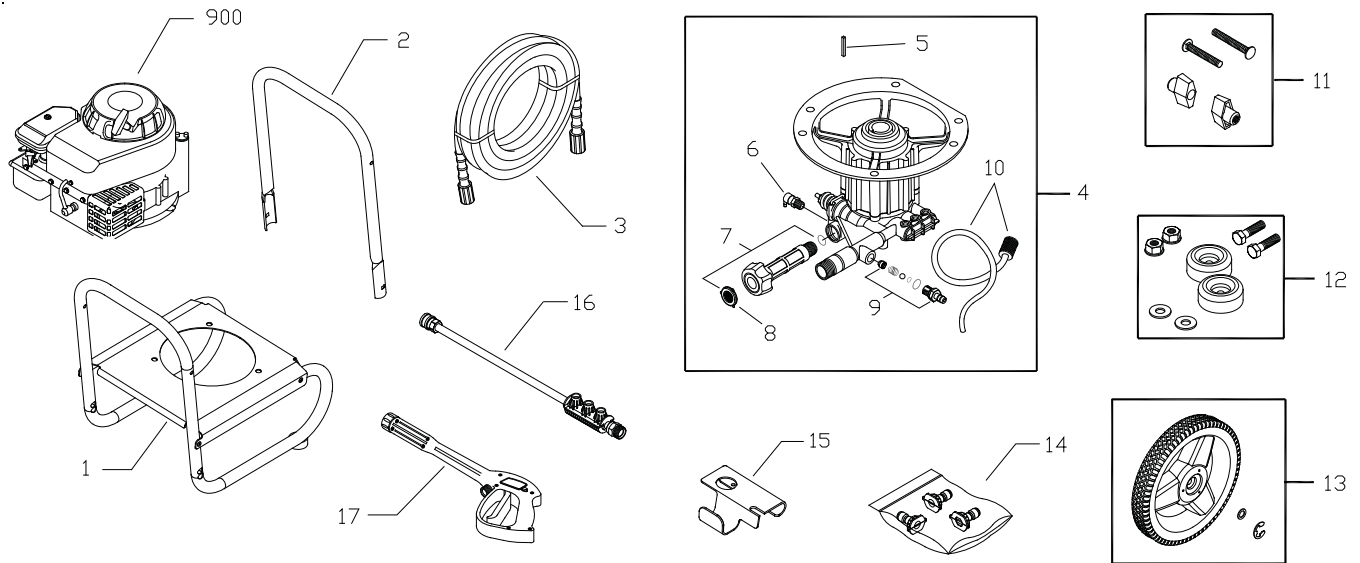
This pressure washer is rated in accordance to the Pressure Washer Manufacturer's Association (PWMA) standard PW101 (Testing and Rating Performance of Pressure Washers).

Questions?

Helpline - 1-800-528-5087 M-F 8-5 CT

**Briggs & Stratton Power Products Group, LLC
Jefferson, Wisconsin, U.S.A.**

Exploded Views and Parts List



Item	Part #	Description
1	209140GS	BASE, w/Mounts
2	AC206781GS	HANDLE
3	196006GS	HOSE
4	206383GS	PUMP, Complete
5	23139GS	Key
6	208673GS	Valve, Thermal Relief
7	200278GS	Kit, Water Inlet
8	B2384GS	Filter, Inlet
9	200279GS	Kit, Chemical Injection
10	189971GS	Kit, Chemical Hose
11	B2203GS	KIT, Fastening Handle
12	198766GS	KIT, Vibration Mount
13	208619GS	KIT, Wheel
	192050GS	E-Ring
14	207977GS	KIT, Spray Tips
	198841GS	Nozzle, Plastic, Soap
	195983AEGS	Nozzle, QC, Red
	195983AGGS	Nozzle, QC, Green
15	206813GS	HOLDER, Accessory

Item	Part #	Description
16	207790GS	WAND, Nozzle Holder
17	204627GS	GUN
900	§	ENGINE

Parts Not Illustrated

208882GS	MANUAL, Operator's
BB3061BGS	OIL BOTTLE
B1797GS	CLIP, Tree
794693	LABEL, Warning
208878GS	DECAL, Unit
200658GS	DECAL, Recoil
208876GS	DECAL, Engine
195015GS	KIT, Tag Warning, Service
208410GS	AXLE

Optional Accessories

6048	KIT, O-Ring Maintenance
6039	PUMP SAVER

§ - Contact Engine Manufacturer

Copyright © 2009 Briggs & Stratton Power Products Group, LLC. All rights reserved. No part of this material may be reproduced or transmitted in any form without the express written permission of Briggs & Stratton Power Products Group, LLC.