

Electric Pressure Washer

S1750 Owner's Manual

If you have any questions or comments, visit our website at www.simoniz.ca or call our toll free hotline 1-866-4SIMONIZ (1-866-474-6664)

PLEASE KEEP THE ORIGINAL BOX, PACKAGING AND RECEIPT. BEFORE OPERATING THIS UNIT, PLEASE READ THIS MANUAL THOROUGHLY AND RETAIN IT FOR FUTURE REFERENCE. IF YOU MUST STORE YOUR PRESSURE WASHER IN A PLACE WHERE TEMPERATURE IS BELOW 5°C, YOU MUST APPLY WINTERIZING PROCEDURE TO PROTECT IT. FAILURE TO WINTERIZE THE UNIT MAY PERMANENTLY DAMAGE PUMP AND VOID THE WARRANTY.

TABLE OF CONTENTS

Technical specifications	1
Warranty	2
Important precautions – Read first!	3
Safety features and electrical power information	5
Parts diagram and list	6
Assembly instructions	7
Operating instructions	8
Using the accessories	10
Working with detergents	11
Shutting down and cleaning up	12
Taking a break	13
Winterizing and long-term storage	14
Cleaning and user maintenance	15
Troubleshooting	18

TECHNICAL SPECIFICATIONS

Pressure Washer Specifications

Max Pressure: 1750 PSI
Power Source Requirement: 120 V / 60 Hz
Electrical cord: 35' (10.7 m) 16 AWG
High-pressure hose: 23' (7 m)
Water Flow Rate (at 100PSI): 1.4 GPM (5.3 l/min)
Current Drawn: 12.5A
Detergent Injection Rate (adjustable): 0–15%
Inlet water: Cold tap water
Nozzle spray angle (high-pressure): 0–60°
Nozzle spray angle (low-pressure): 0–90°
Turbo Nozzle: 30°

WARRANTY

Product Warranty

Always keep your receipt as proof of purchase.

We're here to help! If you have any questions or comments, call our toll-free hotline 1-866-4SIMONIZ (1-866-474-6664). Have your serial number ready. The serial number can be found on the back plate, located on the rear of the unit. This product has a Parts Replacement, Product Exchange and/or Repair Warranty only. NO REFUNDS will be provided. Please see stores for Product Exchange details.

2-year Warranty - Motor

This product is warranted to be free from defects in material and workmanship for two years from the date of its original purchase. If such a defect appears during the warranty period, upon presentation of proof of purchase, Trileaf Distribution will repair or replace the product (at its option). Shipping charges may apply.

3-month Warranty - Accessories

Trigger gun, hose, spray wands and other accessories are warranted for 3 months from the date of purchase. You may purchase accessories directly through place of purchase, or by calling our toll-free hotline 1-866-4SIMONIZ (1-866-474-6664).

This warranty does not cover accidental damage, unreasonable use, normal wear and tear, use of improper detergents, freezing, neglect, or non-compliance with Operating Instructions. Warranty does not cover loss of use, or other consequential damages arising from any of the above, nor does it cover repairs made or attempted by unauthorized persons.

Warranty is void if the equipment is used for commercial, rental or industrial purposes.

If you have more questions, visit our website (www.simoniz.ca), or call 1-866-4SIMONIZ (1-866-474-6664).

IMPORTANT PRECAUTIONS – READ FIRST

Safety Warnings

- When using this product, basic precautions should always be followed: Read all the instructions before using the product.
- High-pressure jets can be dangerous if subject to misuse. The jet must not be directed at persons or animals.
- Water spray must never be directed towards any electric wiring, devices or directly towards the pressure washer machine itself or fatal electric shock may occur.
- To reduce the risk of injury, do not operate the machine near children.
- Learn how to stop the machine and release pressure quickly. Be thoroughly familiar with the controls.
- Stay alert—watch what you are doing.
- Wear safety goggles.
- For use with cold water supply only. Do not draw other liquids.
- Do not use acids, solvents, or any other flammable material in this product. These products can cause physical injuries to the operator and irreversible damage to the machine.
- To reduce the risk of electrocution, keep all connections dry and off the ground. Do not touch plug with wet hands.
- The pressure washer should not be used in areas where gas vapours may be present. An electric spark could cause an explosion or fire.
- To minimize the amount of water getting into the pressure washer, the unit should be placed as far as possible from the cleaning site during operation.
- Avoid accidental starts. Shut power “OFF” before connecting or disconnecting cord to electrical outlets.
- Do not operate the product when fatigued or under the influence of alcohol or drugs.
- Do not stand on unstable surfaces. Stand with both feet balanced at all times.
- Prior to starting the pressure washer in cold weather, be sure ice has not formed in any part of the equipment.
- Never carry your pressure washer by the cord.
- Do not pull on the cord to disconnect from the outlet.
- To allow free air circulation, the pressure washer should not be covered during operation.
- The Trigger Gun Safety Lock prevents the trigger from accidentally being engaged. This safety feature does not lock trigger in the “ON” position.

IMPORTANT PRECAUTIONS – READ FIRST

⚠ Warnings ⚠

- Do not use with flammable liquids and toxic chemicals.
- **Injection Hazard:** Equipment can cause serious injury if the spray penetrates the skin.
- Do not point the gun at anyone or any part of the body. In case of penetration seek medical aid immediately.
- This system is capable of producing 1750 PSI.
- To avoid rupture and injury, do not operate this pump with components rated less than 1750 PSI working pressure (including but not limited to spray guns, hose and hose connections).
- Before servicing, cleaning or removal of any parts, shut “OFF” power and relieve pressure.
- Do not spray electrical apparatus and wiring.
- If connection is made to a portable water system, the system shall be protected against backflow.

Save These Instructions

In a double-insulation product, two systems of insulation are provided instead of grounding. No grounding means is provided on a double-insulated product, nor should a means for grounding be added to the product. Servicing a double-insulated product requires extreme care and knowledge of the system, and should be done only by qualified service personnel.

Replacement parts of a double-insulated product must be identical to the parts they replace. A double-insulated product is marked with the words “DOUBLE INSULATION” or “DOUBLE INSULATED”. The symbol “☐” may also be marked on the product.

SAFETY FEATURES & ELECTRICAL POWER INFORMATION

The pressure washer is equipped with a stop device that will sense when the trigger on the gun is released. It will open the power circuit to the motor, and cause the pressure washer motor to stop. The motor will start again when the trigger is pulled.

⚠ WARNING ⚠

The pressure washer is also equipped with a main power “ON/OFF” switch located on the unit. It should always be moved to the “OFF” position when the pressure washer is not being used to prevent possible injury or damage.

⚠ DANGER ⚠

Improper connection of the equipment-grounding conductor can result in a risk of electric shock. Check with a qualified electrician or service personnel if you are in doubt as to whether the outlet is properly grounded. Do not modify the plug provided with the product—If it will not fit the outlet, have a proper outlet installed by a qualified electrician. Do not use any type of adaptor with this product.

Extension Cords

If possible, do not use extension cords with this product. However, if you must use one, observe all of the warnings and instructions listed below:

⚠ WARNING ⚠

Extension cords are not recommended unless they are plugged into a ground fault circuit-interrupter found in circuit boxes or protected receptacles.

Use a sufficient gauge:

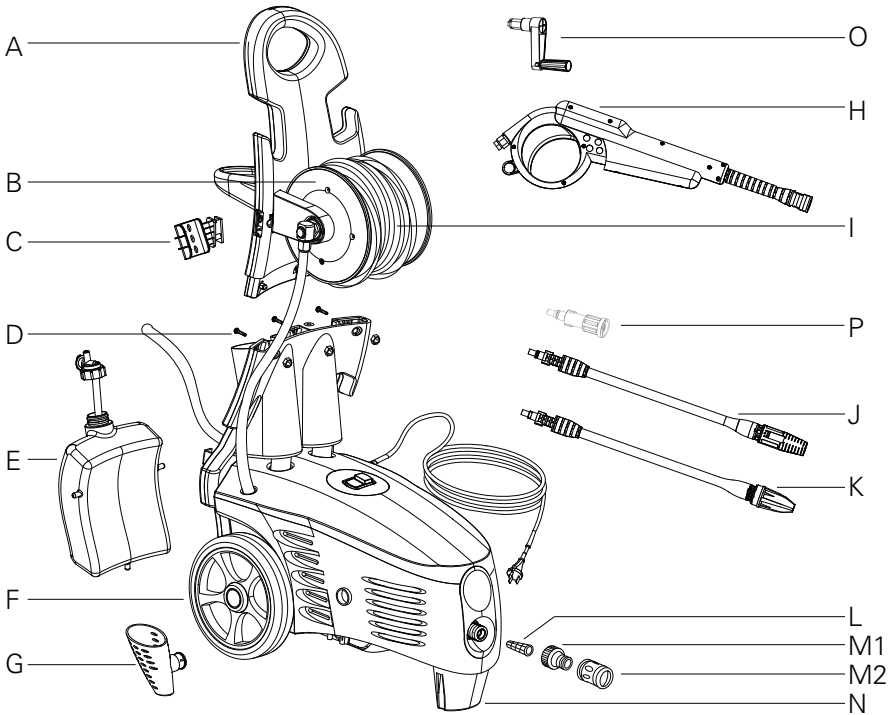
Maximum cable length: 50' (15.2 m) = 14 AWG

- Use only extension cords that are intended for outdoor use. These extension cords are identified by a marking that reads “Acceptable for use with outdoor appliances; store indoors while not in use.”
- Use only extension cords having an electrical rating not less than the rating of the product.
- Do not use damaged extension cords. Examine extension cord before using and replace if damaged. Do not abuse extension cord and do not yank on any cord to disconnect.
- Keep cord away from heat and sharp edges.
- Always disconnect the extension cord from the receptacle before disconnecting the product from the extension cord.
- To reduce the risk of electric shock, keep all connections dry and off the ground. Do not touch plug with wet hands.

⚠ CAUTION ⚠

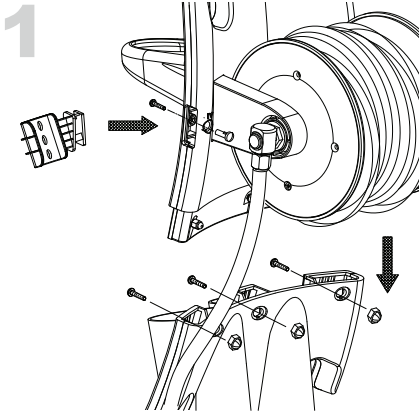
This machine has been designed for use with cleaning detergent supplied or recommended by the Retailer. The use of other cleaning detergents may affect the operation of the machine and void the warranty.

PARTS AND DIAGRAM LIST

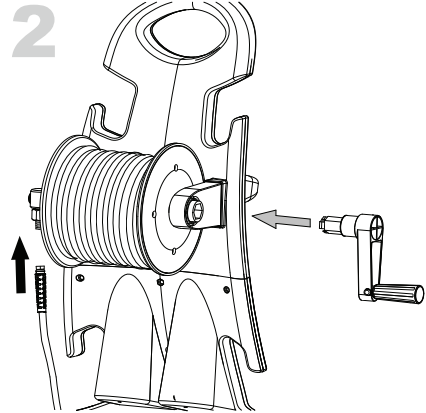


Item No.	Quantity	Part Name	Parts No.
A	1	Up-handle assembly	JH05-002-0000
B	1	Hose reel	JH05-002-0001
C	1	Gun holster (Top)	JH01-000-0004
D	3	Screw + Nut	JH02-000-0006
E	1	Detergent bottle assembly	JH02-050-0003
F	2	Wheel	JH05-000-0005
G	1	Gun holster (Bottom)	JH01-000-0019
H	1	Gun assembly	JH02-061-0000
I	1	Pressure hose	JH05-000-0003
J	1	Adjustable wand	JH02-000-0007
K	1	Turbo wand	JH02-000-0008
L	1	Water filter	JH02-020-0009
M1	1	Inlet adaptor	JH05-020-0026
M2	1	Quick-connect coupling	JH05-020-0026
N	1	Front foot	JH01-000-0017
O	1	Hand crank	JH05-002-0035
P	1	Universal Pressure Washer Accessories Adaptor	JH05-062-0002

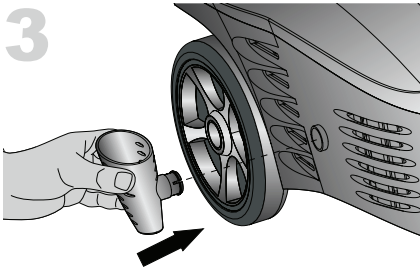
ASSEMBLY INSTRUCTIONS



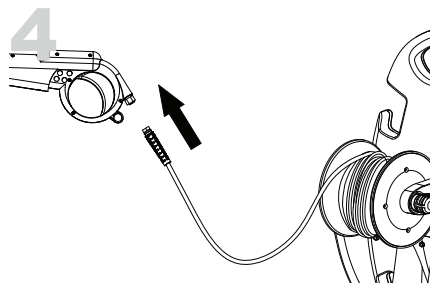
Insert handle frame into pressure washer and align the holes. Insert three nuts into the front, and insert the screws from behind as shown. Tighten the screws.



Attach the hand crank onto the hose reel. Assemble the extension hose to the reel.



Assemble the gun holster.



Assemble the high-pressure hose to the gun assembly.

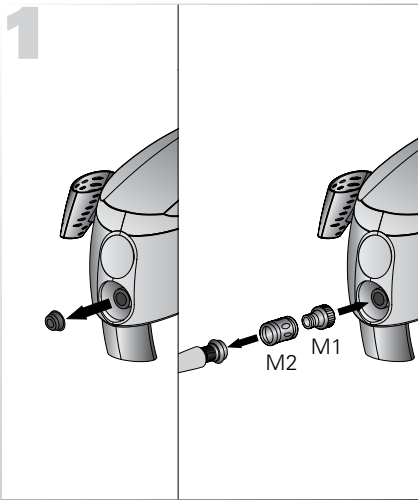
⚠ CAUTION ⚠

- Never use the pressure washer to draw in water contaminated with solvents (e.g. paint thinners, gasoline, oil, etc.).
- Dirt in the water inlet will damage the unit. To avoid this risk, we recommend checking the water filter (located inside the water inlet; to clean it out see Maintenance section).
- Always prevent debris from being drawn into the unit by using a clean water source and an additional accessory water filter if required.

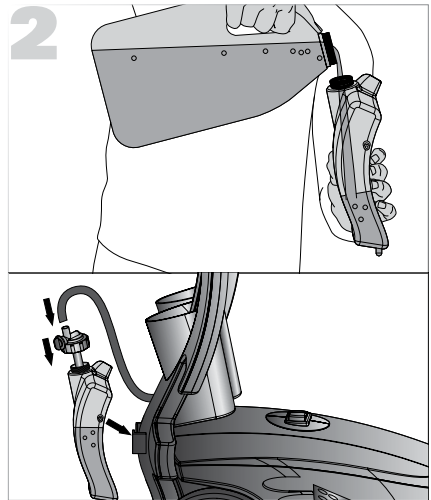
Water Supply (Cold Water Only)

Only draw water through the unit. For use with cold water supply only. Water hose must be at least a 1/2" (13 mm) in diameter. Flow rate of water supply must not fall below 2 GPM (gallons per minute) [9.1 lpm (litres per minute)]. Flow rate can be determined by running the water for one minute into an empty 5-gallon (19 L) container. The water supply temperature must not exceed 104° F(40° C).

OPERATING INSTRUCTIONS

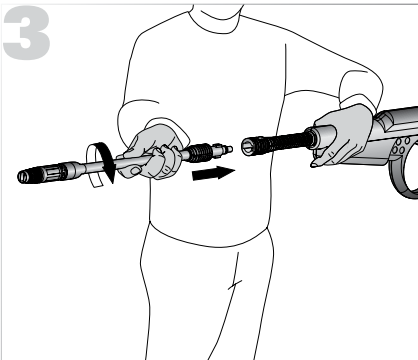


Remove and discard the cover. Separate quick-connect coupler assembly. Attach quick-connector coupler (M2) onto the garden hose and attach the inlet adaptor (M1) into the inlet.

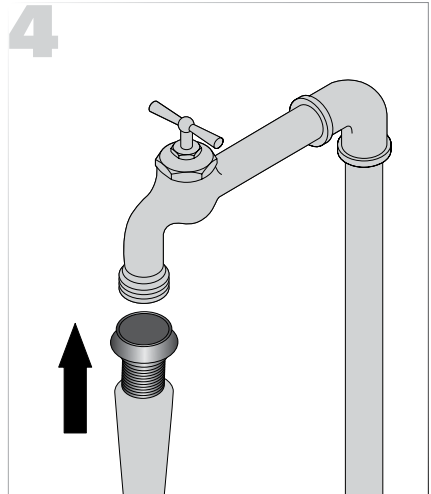


(when using detergent)

Fill the detergent container with detergent and push lid firmly onto container. Attach detergent suction tube onto detergent lid and attach container to the pressure washer container storage area as shown.

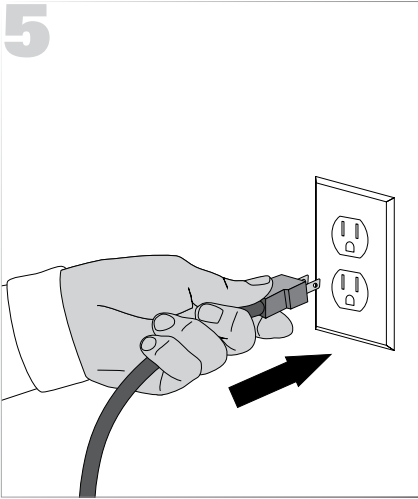


Insert the desired wand with nozzle into spray gun, and twist 1/4 turn until rectangular tab appears.



Attach garden hose to water supply and turn water on.

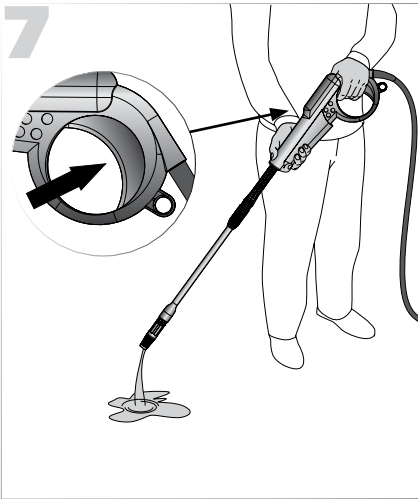
OPERATING INSTRUCTIONS



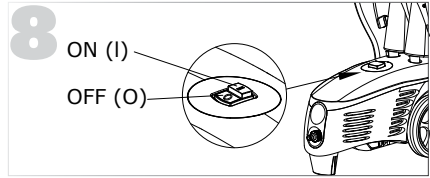
Make sure the main switch is in "OFF" position. Plug the unit into a properly grounded outlet.



Release safety trigger, if locked.



Purge air by squeezing trigger on the gun until there is a steady stream of water.



Press ON (|) Button.

OPERATING INSTRUCTIONS

Surface Preparation

Before starting any cleaning task it is important to inspect the area for objects which could create a hazard. Remove objects from the work area which could be tripped over, such as toys or outdoor furniture. Ensure that all doors and windows are closed tight.

USING THE ACCESSORIES

Adjustable Wand

The adjustable wand controls high-pressure/low-pressure and adjusts the spray.

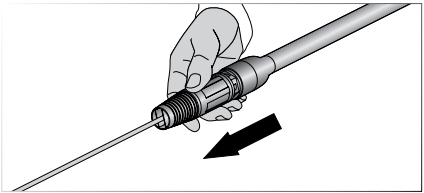
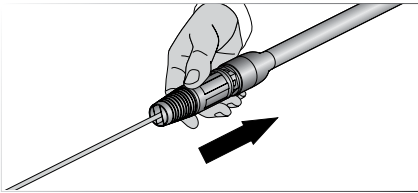
⚠ CAUTION ⚠

Do not adjust the nozzle while the trigger is squeezed.

High-pressure/Low-pressure

For low-pressure, grasp the collar and slide it away from the gun as shown in. To apply detergent, the adjustable nozzle must be on the low-pressure setting.

The high-pressure nozzle position is intended for cleaning. To get the high-pressure setting, grasp collar and slide the collar nozzle towards the gun as shown. Make sure the collar is pulled completely back to lock the nozzle into the high-pressure position.



Adjusting the Spray

The adjustable spray nozzle can adjust from fan to jet in the high-pressure position only.

The spray is adjusted from jet spray to fan spray by turning the nozzle as shown in.

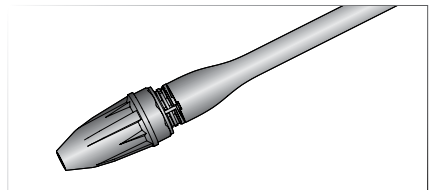
Note: The pressure of the spray on the surface you are cleaning increases as you move the wand closer to the surface.

⚠ CAUTION ⚠

Jet spray adjustment is very aggressive. Do not adjust while spraying. We recommend that for most cleaning applications a 20° spray angle should be used to avoid damage to the surface being sprayed.

Turbo Power Wand

The high-pressure turbo nozzle is intended for maximum cleaning effect. Keep the spray wand 6–8" (15-20 cm) away from the cleaning surface at all times.



⚠ CAUTION ⚠

Do not try to adjust the turbo nozzle.

OPERATING INSTRUCTIONS

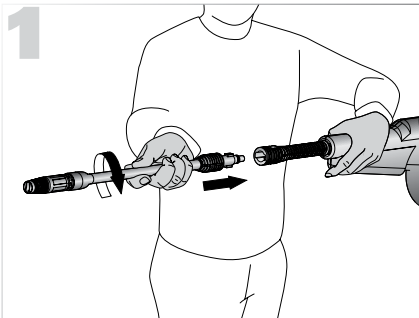
WORKING WITH DETERGENTS

Working with detergent ensures a quick soaking of the dirt, and allows the high-pressure water to penetrate and remove the dirt more effectively. Always spray detergent on a dry surface, do not pre-soak area. Wetting the surface first dilutes the detergent and reduces its cleaning ability.

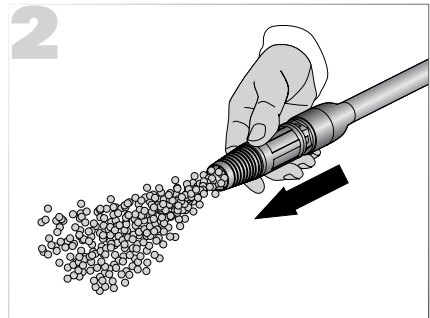
To apply detergents you must be operating at low-pressure. This provides a gentle application of detergent, with the pressure equivalent to a lowest garden hose. The high-pressure setting is used for cleaning; you cannot apply detergents when working at high-pressure. Always test detergent in an inconspicuous area before use.

⚠ CAUTION ⚠

Only use cleaning detergents recommended for this pressure washer.



Install the adjustable wand. Set the adjustable nozzle to the low-pressure setting by sliding the nozzle collar out. The nozzle must be set in the low-pressure position to apply detergents.



Attach detergent suction tube onto detergent lid. Fill the detergent bottle with detergent. Screw the lid onto the detergent bottle and attach bottle to the pressure washer. Note: You can adjust amount of detergent by moving the detergent lid tab between – and +.

3 Turn on the pressure washer. Pull trigger to operate unit. The liquid detergent will automatically mix with water and be discharged through nozzle. Apply detergent to a DRY work surface, from bottom to top.

4 Allow detergent to remain on the surface for a short time before rinsing. Do not allow detergent to dry on surface.

⚠ CAUTION ⚠

Damage may occur to painted surface if chemical is allowed to dry on surface. Wash and rinse a small section at a time. Avoid working on hot surfaces or in direct sunlight.

OPERATING INSTRUCTIONS

- 5** Rinse with clean water under high-pressure. On a vertical surface, rinse from the bottom up, then rinse from the top down to avoid streaking. Hold nozzle 6–8" (15-20 cm) from the work surface at a 45° angle.
- 6** When you have finished using the detergent injection system, remove detergent suction tube from bottle and insert into 1 gallon (5 L) of fresh water. Siphon water at low-pressure for one minute so that all detergent is flushed through system. Remove detergent bottle and rinse it until it is thoroughly cleaned.

⚠ CAUTION ⚠

Failure to clean properly will cause the injection system to become clogged and inoperable.

⚠ CAUTION ⚠

Never use:

- **Bleach, chlorine products and other corrosive chemicals**
- **Liquids containing solvents (i.e., paint thinners, gasoline, oils)**
- **Tri-sodium phosphate products**
- **Ammonia products**
- **Acid-based products**

These chemicals will harm the unit and will damage the surface being cleaned.

OPERATING INSTRUCTIONS

SHUTTING DOWN AND CLEANING UP

- 1** (If you are not using detergent, go directly to Step 2.) When you have finished using the detergent injection system, remove detergent suction tube from bottle and insert into 1 gallon (5 L) of fresh water. Siphon water at low-pressure for one minute so that all detergent is flushed through system. Remove detergent bottle and rinse it until it is thoroughly cleaned.
- 2** Turn the switch to “OFF” (O) position.
- 3** Unplug the power cord from the outlet.
- 4** Press trigger to release water pressure.
- 5** Disconnect the garden hose from the water inlet on the unit.
- 6** Engage the gun safety lock.

⚠ WARNING ⚠

Turn off water supply and squeeze trigger to depressurize the unit. Failure to do so could result in personal injury due to discharge of high-pressure water.

TAKING A BREAK

If taking a break of five minutes or more:

- 1** Engage gun safety lock.
- 2** Turn unit to “OFF” (O) position.
- 3** Unplug the power cord from the outlet.

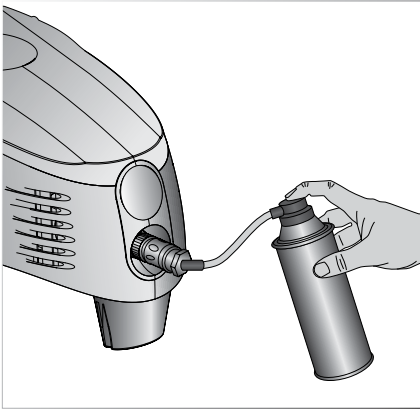
WINTERIZING AND LONG-TERM STORAGE

Optimum Winterizing Procedure

Winterizing your pressure washer will help protect and prolong its life. We strongly recommend you follow the below steps using antifreeze. Prepare the pressure washer for storage by running a 50/50 mix of water and antifreeze into the unit. This will keep the internal parts lubricated, protected from rust, and prevents the pump from freezing.

1. Connect the antifreeze hose onto the adaptor and quick-connect coupling.
2. Depress button on top of antifreeze container.
3. Continue until fluid exits the pump outlet.
4. Remove the hose from pump inlet.

Use Simoniz® Pressure Washer Antifreeze (39-8602-0).



Quick Winterizing Procedure

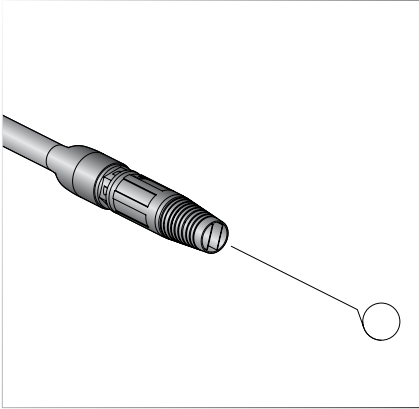
If you cannot do the Optimum Winterizing procedure, you can still protect your pressure washer from winter-damage by doing below:

1. Disconnect all water connections.
2. Turn on the machine for a few seconds, until the remaining water in the pump exits. Turn off immediately.
3. Do not allow high-pressure hose to become kinked.
4. Store the machine and accessories in a room that does not reach freezing temperatures. Do not store near furnace or other sources of heat as it may dry out the pump seals.

CLEANING AND USER MAINTENANCE

Connections

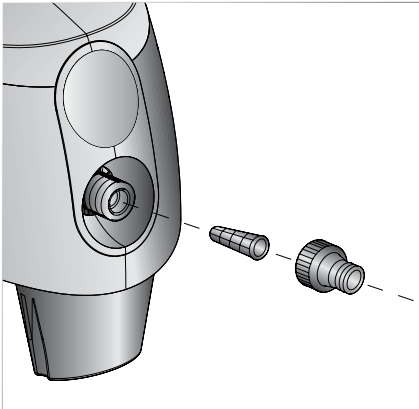
Connections on pressure washer hoses; gun and spray wand should be cleaned regularly and lubricated with non-water soluble grease.



Adjustable Nozzle Only

Clogging of the nozzle causes the pump pressure to be too high and cleaning is immediately required. You can clean the nozzle by carefully inserting a thin, sharp instrument (i.e. paperclip) into the tip to rid it of deposits.

For the adjustable nozzle, you can also lubricate the nozzle collar (high-pressure/low-pressure) by using non-water soluble grease regularly.



Water Filter Screen

The pressure washer is equipped with a water inlet screen to protect the pump. If the screen is not kept clean, the flow of water to the pressure washer will be restricted and the pump may be damaged.

1. To clean inner water screen, remove quick-connector and remove the filter screen from the pump inlet.
2. Rinse screen until it is free of debris and blockage.
3. Replace screen and quick-connector immediately to prevent any foreign matter from entering the pump.

Air Vents

The air vents located on the back of the unit must be kept clean and free of any obstructions to ensure proper air-cooling of the motor during operation.

CLEANING AND USER MAINTENANCE

Pressure Washer Cleaning Tips

Recommendations

Before cleaning any surface, an inconspicuous area should be cleaned to test spray pattern and distance for maximum cleaning results.

- Take care when using high-pressure setting as it can potentially damage the finish or paint.
- If painted surfaces are peeling or chipping, use extreme caution as pressure washer may remove the loose paint from the surface.
- The best angle for spraying high-pressure water against a cleaning surface is 45°. Spraying directly head-on tends to cause dirt particles to embed in the surface.

Deck Cleaning

With Detergent: Fill detergent bottle with Deck/Fence Cleaner (39-4577-4). Place detergent suction tube directly into cleaning solution and apply to surface at low-pressure. For best results, limit your work area to smaller sections of approximately 25 sq.ft. (2.3 m²). Allow Deck Wash to remain on surface 1 to 3 minutes. Do not allow detergent to dry on surface. Rinse at high-pressure in a long sweeping motion keeping the spray nozzle approximately 6" (15 cm) from the cleaning surface. Always clean from top to bottom and from left to right. When moving on to a new section of the cleaning surface, be sure to overlap the previous section to eliminate stop marks and ensure a more even cleaning result.

Without Detergent: Pre-rinse cleaning surface with fresh water and wash with water on high-pressure using same directions as above.

House Siding

With Detergent: Fill detergent bottle with House/Siding Cleaner (39-4576-6). Place detergent suction tube directly into cleaning solution and apply to surface at low pressure (for best results, limit your work area to sections of approximately 6' (1.8 m) and always apply detergent from bottom to top). Allow detergent to remain on surface 1–3 minutes. Do not allow detergent to dry on surface, if surface appears to be drying, simply wet down surface with fresh water. Rinse at high-pressure from bottom to top, then top to bottom in an even sweeping motion keeping the spray nozzle approximately 6" (15 cm) from the cleaning surface.

Without Detergent: Pre-rinse cleaning surface with fresh water and wash with water on high-pressure using same directions as above.

Cement Patios, Brick & Stone

With Detergent: Fill detergent bottle with Heavy-duty Degreaser (39-4551-4). Place detergent suction tube directly into cleaning solution and apply to surface at low-pressure. For best results, limit your work area to smaller sections of approximately 25 sq.ft. (2.3 m²). Allow degreaser to remain on surface 1–3 minutes. Do not allow detergent to dry on surface. Rinse at high-pressure in a sweeping motion keeping the spray nozzle approximately 3–6" (7.5 – 15 cm) from the cleaning surface. Always clean from top to bottom and from left to right.

Without detergent: Pre-rinse cleaning surface with fresh water and wash with water on high-pressure using same directions as above.

CLEANING AND USER MAINTENANCE

Pressure Washer Cleaning Tips

Cars, Boats & Motorcycles

Take care when using high-pressure setting as high-pressure can potentially damage the finish or paint.

With Detergent: Fill detergent bottle with Car/Boat Wash (39-4579-0). Place detergent suction tube directly into cleaning solution and apply to surface at low-pressure. For best results, clean one side of vehicle at a time and always apply detergent from bottom to top, do not allow detergent to dry on surface. Rinse at high-pressure in a sweeping motion keeping the spray nozzle approximately 6–8" (15 – 20 cm) from the cleaning surface (distance should increase when rinsing pin-stripping or other sensitive surfaces). Always clean from top to bottom and from left to right. For best results, wipe surface dry with a chamois or soft dry cloth.

Barbecue Grills, Outdoor Power Equipment & Gardening Tools

With Detergent: Fill detergent bottle with Heavy-duty Degreaser (38-1306-2). Place detergent suction tube directly into cleaning solution and apply detergent at low-pressure. Allow degreaser to remain on surface 1–3 minutes. Do not allow detergent to dry on surface. Rinse at high-pressure keeping the spray nozzle approximately 3–6" (7.5 – 15 cm) from the cleaning surface. For removing extremely stubborn dirt, it may be necessary to move the spray nozzle even closer to the surface for greater dirt cutting action.

Without Detergent: Pre-rinse cleaning surface with fresh water and wash with water on high-pressure using same directions as above.

Wood Patio & Lawn Furniture

With detergent: Remove all fabrics (i.e. cushions). Fill detergent bottle with Deck/Fence Cleaner (39-4577-4). Place detergent suction tube directly into cleaning solution and apply to surface at low pressure. Allow Pressure Wash to remain on surface 1–3 minutes. Do not allow detergent to dry on surface. Rinse at high pressure in a sweeping motion keeping the spray nozzle approximately 3–6" (7.5 – 15 cm) from the cleaning surface (distance should increase when spraying sensitive surfaces). For best results, clean from top to bottom and from left to right.

Without detergent: Pre-rinse furniture with fresh water and wash with water on high-pressure using same directions as above.

TROUBLESHOOTING

Disconnect the machine from the power source before making any repairs.

Symptom	Cause	Solution
Motor will not start.	On/Off switch is in the "OFF" (O) position.	Turn switch to the "ON" (I) position.
	Power cord is not plugged in.	Plug in power cord.
	Extension cord is too long. Extension cord is not proper gauge. Extension cord is damaged.	Replace extension cord with either a 25' (7.6 m) 14/3 gauge cord or a 50' (15 m) 14/3 gauge cord.
	Electrical outlet does not supply adequate power.	Try a different outlet.
	Tripped pressure washer circuit breaker	Allow to cool, and restart unit.
Unit does not reach high pressure.	Diameter of garden hose is too small.	Replace with a 1" (25 mm) or 5/8" (16 mm) garden hose.
	Water supply is restricted.	Check garden hose for kinks, leaks and blockage.
	Not enough inlet water supply.	Open water source fully.
	Water inlet filter is clogged.	Remove filter and rinse in warm water.
	Power nozzle is in low-pressure position.	Turn power nozzle to high-pressure position.
	Pump is sucking air.	Check that hoses and fittings are airtight. Turn "OFF" machine, and purge pump by squeezing trigger gun until a steady flow of water emerges through the nozzle.
Output pressure varies high and low.	Not enough inlet water supply.	Turn water on fully. Check garden hose for kinks, leaks or blockage.
	Pump is sucking air.	Check that hoses and fittings are airtight. Turn "OFF" machine, and purge pump by squeezing trigger gun until a steady flow of water emerges through the nozzle.
	Water inlet filter is clogged.	Remove filter and rinse in warm water.
	Discharge nozzle is obstructed.	Blow out or remove debris with a fine needle.
	Calcified gun, hose or power nozzle.	Run distilled vinegar through detergent tank.

TROUBLESHOOTING

Symptom	Cause	Solution
No Detergent	Detergent container is empty.	Add more detergent.
	Detergent bottle or suction tube not properly connected.	Check connections.
	Detergent is too thick.	Dilute detergent.
	Filter on detergent suction tube is clogged.	Run warm water through filter to remove debris.
	Damaged or clogged detergent suction tube.	Remove obstruction or replace detergent suction tube.
	Nozzle is in high-pressure position.	Turn nozzle tip to low-pressure position.
	Discharge nozzle is obstructed.	Blow out or remove debris with a fine needle.
Garden hose connection leaks.	Loose fittings.	Tighten fittings.
	Missing/worn rubber washer.	Insert new washer.
Spray wand, extension, or nozzle leaks.	Spray nozzle not properly attached.	Insert the spray nozzle into the trigger gun. Carefully press in against the spring tension, and twist into the locked position.
	Broken o-ring or plastic insert.	Call the Toll-Free Hotline.
Pump is noisy	Pump is sucking air	Check that hoses and fittings are airtight. Turn off machine and purge pump by squeezing trigger gun until a steady flow of water emerges through the nozzle.
Water leaks from pump (up to 10 drops per minute is permissible).	Loose fittings.	Check that all fittings are tight.
	Water seals are damaged or worn.	Call the Toll-Free Hotline
Oil is dripping	Oil seals are damaged or worn.	Call the Toll-Free Hotline
Motor buzzes but fails to run.	Supply voltage below minimum.	Verify that only the pressure washer is running on this circuit.
	System has residual pressure.	Turn unit "OFF"; squeeze trigger on spray wand to release pressure, then turn unit "ON".
	Voltage loss due to extension cord.	Unplug any extension cords attached and plug the unit directly into the outlet.
	Pressure washer not used for long periods.	Call the Toll-Free Hotline.

IF YOU ENCOUNTER ANY ADDITIONAL DIFFICULTIES NOT LISTED, VISIT OUR WEBSITE AT WWW.SIMONIZ.CA OR CALL CUSTOMER SERVICE AT 1-866-4SIMONIZ (1-866-474-6664) FOR HELP.