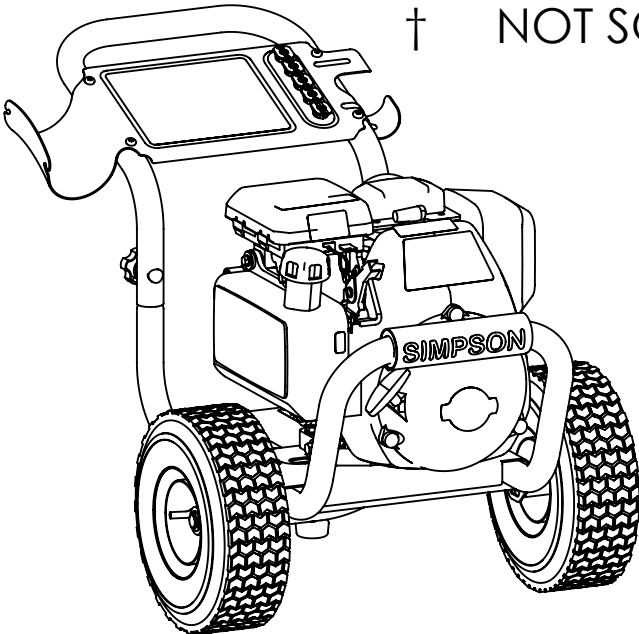
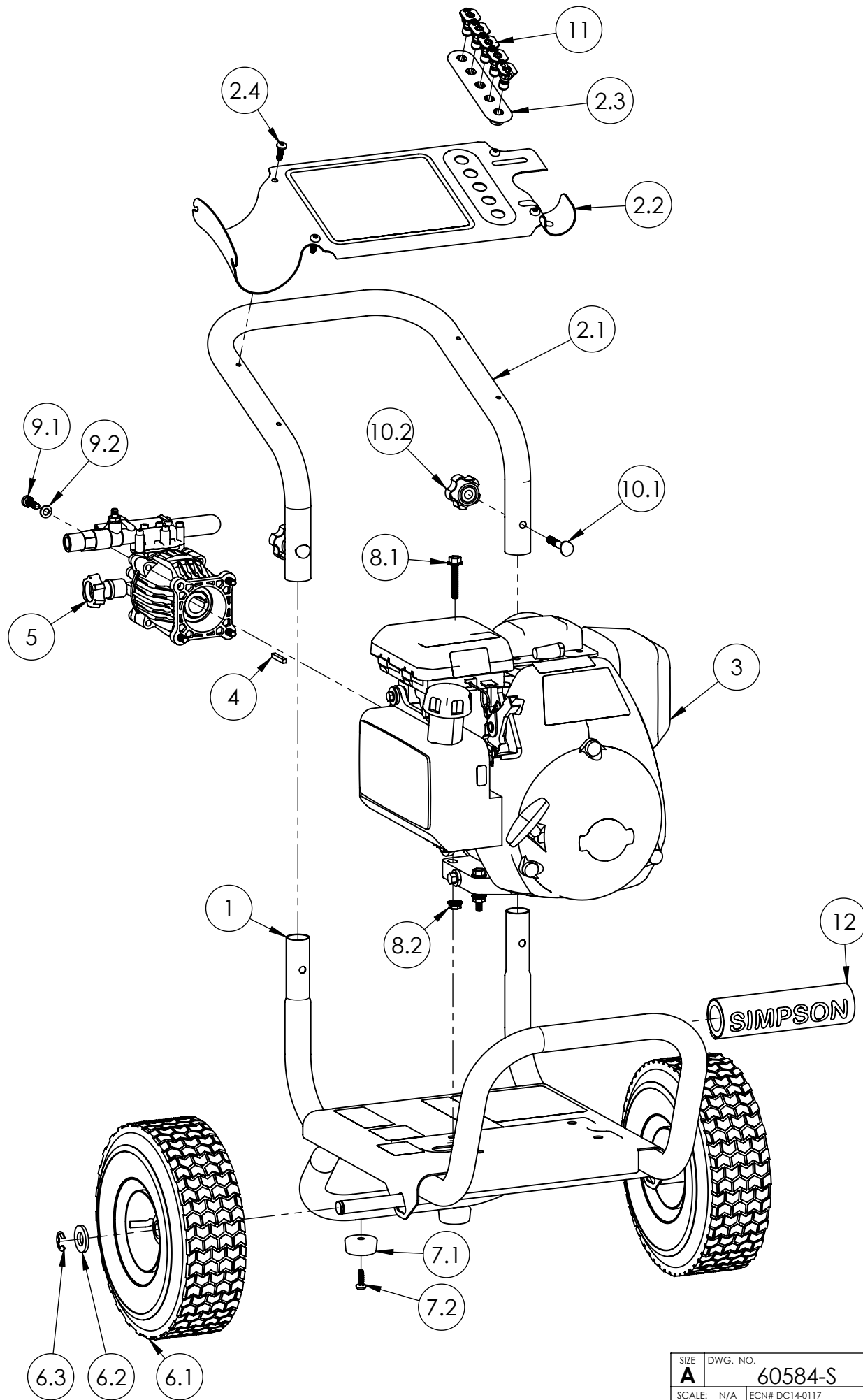


ITEM	PART NO.	DESCRIPTION	QTY
1	7105470	FRAME, BASE ASSY W/LABELS	1
2	7105938	HANDLE, SVC ASSY W/LABELS	1
† 2.1		HANDLE, REAR 18GA. 11.75" C-C BLACK	1
† 2.2		PLATE, DASHBOARD SILVER W/LABEL	1
† 2.3		NOZZLE HOLDER, 5PC RUBBER	1
† 2.4		SCREW, TORX PANHEAD 1/4"-20 x 3/4"	4
3	7105472	GC190 HONDA ENGINE, SVC ASSY W/LABELS	1
4	7104174	KEY, SHAFT 3/16" x 3/16" x 1 1/4"	1
5	7107656	PUMP, SERVICE ASSEMBLY MS31025H	1
5.1	520002	PUMP, 3100@2.4 HORIZ-AXIAL P/BOOST BRASS	1
† 5.2		CAP, UNLOADER COVER 1 1/2" x 5/8" BLACK	1
† 5.3		BOLT 5/16"-24 x 1" HHCS GR5	4
† 5.4		WASHER, SPLIT-LOCK 5/16" RUST RESISTANT	4
6	7105013	WHEEL, SERVICE KIT	1
† 6.1		POWER WASHER WHEEL, 4" x 10" BLK W/ 5/8" BRG	2
† 6.2		WASHER, 5/8" FLAT	2
† 6.3		CLIP, E-TYPE 0.625" x 0.042"	2
7	7103292	KIT, 5/8" TALL FOOT	2
† 7.1		FOOT, RUBBER 1.5"ODx.625"-5/16 INSERT	1
† 7.2		SCREW, TORX PANHEAD 1/4"-20 x 3/4"	1
8	7103750	MOUNTING KIT, ENGINE	1
† 8.1		BOLT, FLANGE 5/16"-18 x 1 3/4" HHFB	4
† 8.2		NUT, WHIZ 5/16"-18	4
9	7105474	HARDWARE KIT, PUMP MOUNTING	1
† 9.1		BOLT 5/16"-24 x 1" HHCS GR5	4
† 9.2		WASHER, SPLIT-LOCK 5/16" RUST RESISTANT	4
10	7104570	HARDWARE KIT, HANDLE MOUNTING	2
† 10.1		BOLT, SADDLE 5/16"-18 x 2"	1
† 10.2		KNOB, HANDLE 5/16-18	1
11	7104818	NOZZLE KIT, 2.8 5PC	1
12	7105186	HANDLE GRIP, SILVER	1
13	7106275	TRIGGER SPRAY GUN 4500PSI @ 6.6GPM M22(M) x M22(F)	1
14	7103550	LANCE, 16" W/ 1/4" QC-F x M22(M)	1
15	7105238	HOSE, 1/4IN X 25FT X 3000PSI M22 X M22	1
16	7102037	KIT, SOAP HOSE & FILTER	1
* 17	7102045	TOOL, NOZZLE CLEANING, UNIVERSAL	1
* 18	7104994	MANUAL, MSH31025 MODEL SPECIFIC OPERATOR'S	1
* 19	7104993	BOX, MSH31025 MODEL SPECIFIC SHIPPING	1

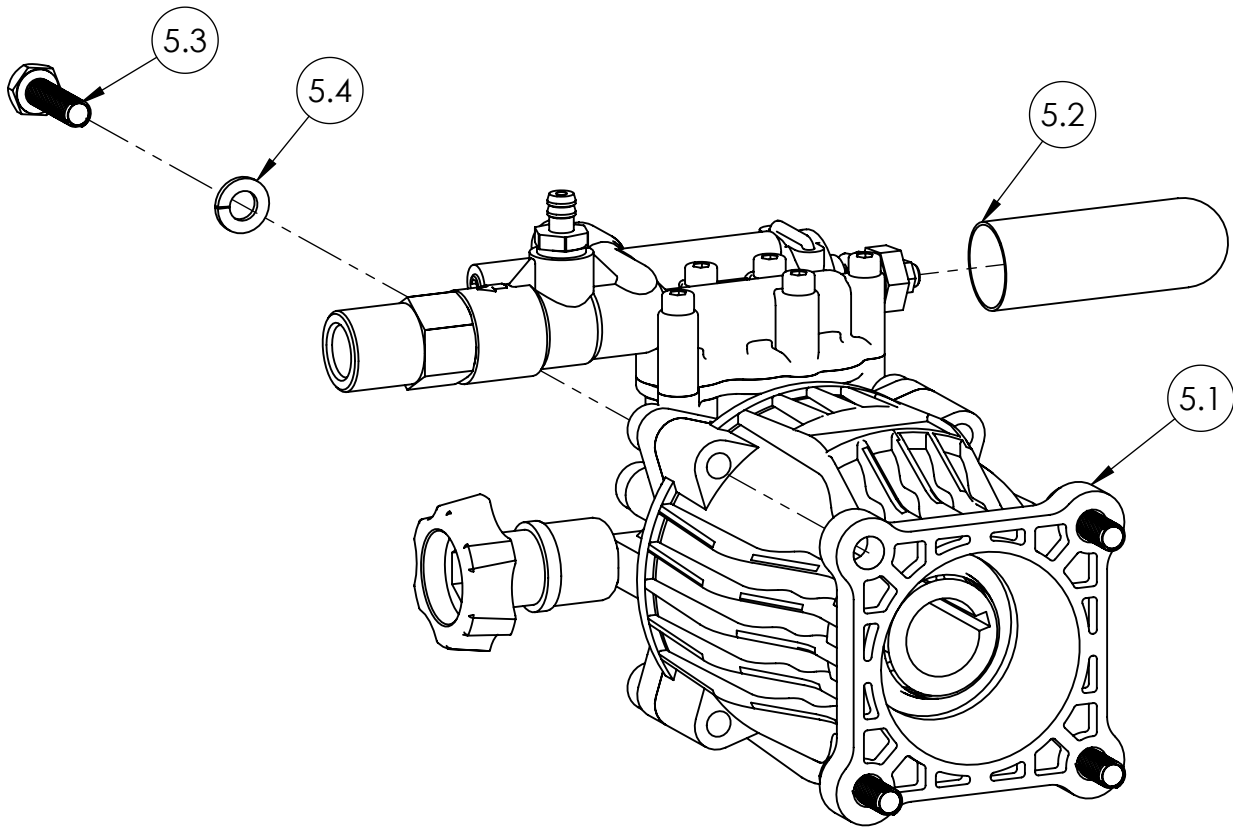
* NOT SHOWN
† NOT SOLD SEPERATELY



NAME		DATE	FNA-GROUP 1265 INDUSTRIAL STREET, DECATUR, AR 72722	
DRAWN		TV		
CHECKED		TV	5/19/2014	TITLE: MS31025H 3100PSI @ 2.5GPM SIMPSON
ENG APPR.		M.G.	5/19/2014	
MFG APPR.		J.P.	11/27/2012	
Q.A. APPR.		J.C.	5/19/2014	
SERVICE APPR.		D.H.	11/27/2012	
PROPRIETARY AND CONFIDENTIAL THE INFORMATION CONTAINED IN THIS DRAWING IS THE SOLE PROPERTY OF FNA-GROUP. ANY REPRODUCTION IN PART OR AS A WHOLE WITHOUT THE WRITTEN PERMISSION OF FNA-GROUP IS PROHIBITED.				
SIZE	DWG. NO.	REV.		
A	60584-S	B		
SCALE: N/A	ECN# DC14-0117	SHEET 1 OF 9		



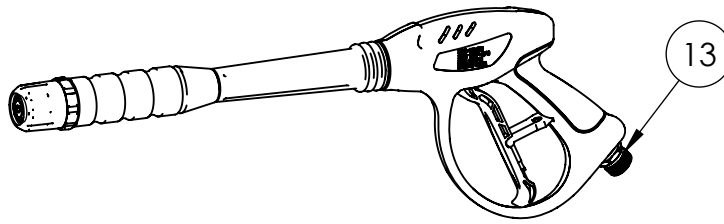
SIZE	DWG. NO.	REV.
A	60584-S	B
SCALE: N/A	ECN# DC14-0117	SHEET 2 OF 9



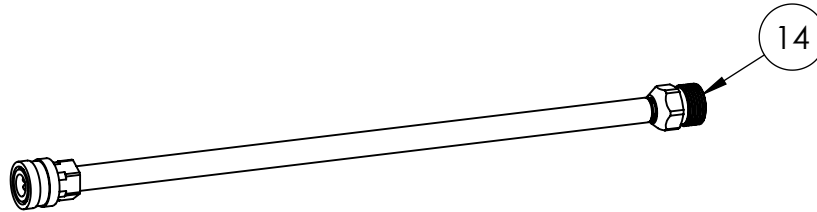
PUMP, SERVICE ASSEMBLY MS31025H
PART NO. 7107656

ITEM	PART NO.	DESCRIPTION	QTY
5.1	520002	PUMP, 3100@2.4 HORIZ-AXIAL P/BOOST BRASS	1
5.2		CAP, UNLOADER COVER 1 1/2" x 5/8" BLACK	1
5.3		BOLT 5/16"-24 x 1" HHCS GR5	4
5.4		WASHER, SPLIT-LOCK 5/16" RUST RESISTANT	4
* 4	7104174	KEY, 3/16" x 3/16" x 1 1/4" SHAFT	1

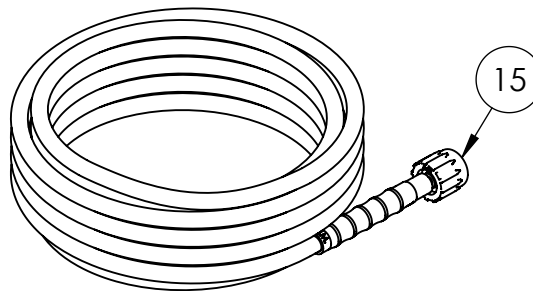
* NOT SHOWN



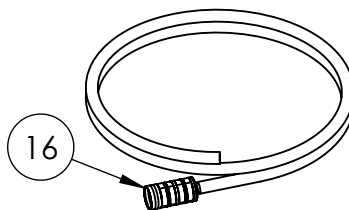
TRIGGER SPRAY GUN 4500PSI @ 6.6GPM M22(M) x M22(F)
PART NO. 7106275



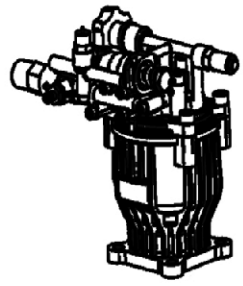
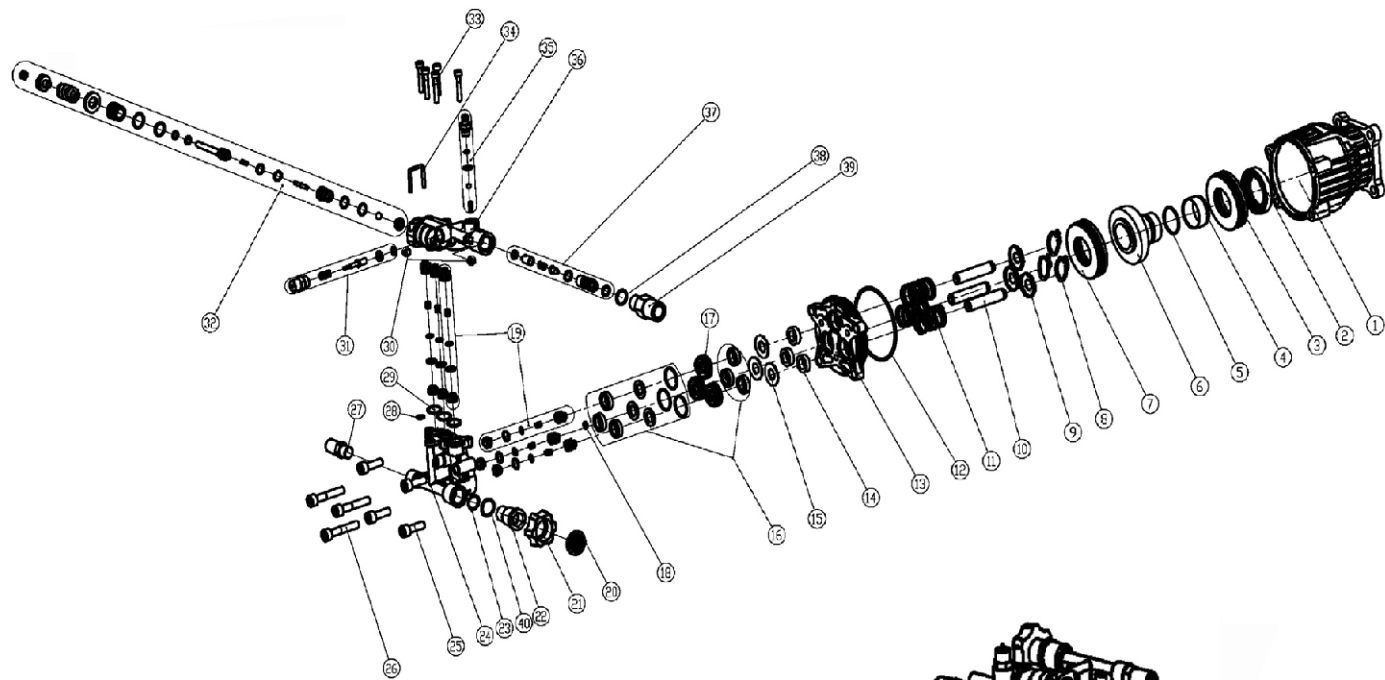
LANCE, 16" W/ 1/4" QC-F x M22(F)
PART NO. 7103550



HOSE, 1/4" x 25' x 3100PSI BLACK M22
PART NO. 7105238



KIT, SOAP HOSE & FILTER
PART NO. 7102037



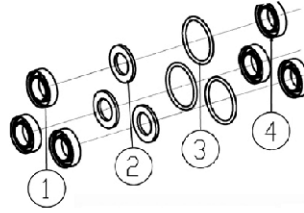
TORQUE SPECIFICATIONS

ITEM	FT-LB	IN-LB	N-M
22	13	159	18
25	16	195	22
26	18	221	25
27	13	159	18
31	13	159	18
33	6	71	8
35	10	115	13
39	13	159	18



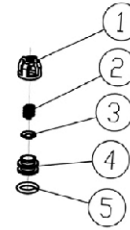
14 PART NO. 7105741

OIL SEAL KIT		
ITEM	QTY	DESCRIPTION
1	3	SEAL, OIL



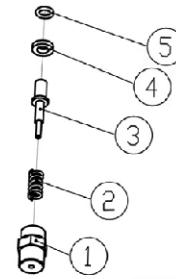
16 PART NO. 7106627

WATER SEAL KIT		
ITEM	QTY	DESCRIPTION
1	3	HIGH PRESSURE SEAL
2	3	BACK RING
3	3	O-RING
4	3	LOW PRESSURE SEAL



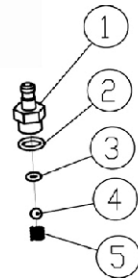
19 PART NO. 7104223

VALVE KIT		
ITEM	QTY	DESCRIPTION
1	6	VALVE CASE
2	6	SPRING
3	6	VALVE PLATE
4	6	VALVE SEAT
5	6	O-RING



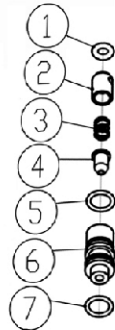
31 PART NO. 7106654

BOOST VALVE KIT		
ITEM	QTY	DESCRIPTION
1	1	VALVE CASE
2	1	VALVE SPRING
3	1	VALVE POLE
4	1	VALVE PLATE
5	1	O-RING



35 PART NO. 7104228

SOAP INJECTOR KIT		
ITEM	QTY	DESCRIPTION
1	1	HOSE BARB
2	1	O-RING
3	1	O-RING
4	1	STEEL BALL
5	1	SPRING

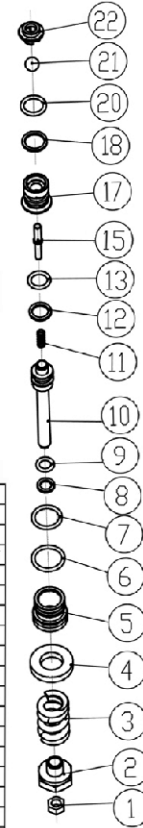


37 PART NO. 7106630

VENTURI TUBE KIT		
ITEM	QTY	DESCRIPTION
1	1	O-RING
2	1	CHECK VALVE CORE
3	1	CHECK VALVE SPRING
4	1	NOZZLE
5	1	O-RING
6	1	VENTURI TUBE
7	1	O-RING

32 PART NO. 7104226

UNLOADER KIT		
ITEM	QTY	DESCRIPTION
1	1	NUT
2	1	ADJUSTING NUT
3	1	SPRING
4	1	SEATING RING
5	1	VALVE SHEATH
6	1	O-RING
7	1	O-RING
8	1	CHECKING RING
9	1	O-RING
10	1	VALVE POLE
11	1	SPRING
12	1	CHECKING RING
13	1	O-RING
15	1	PIN
17	1	UPPER SEAT
18	1	CHECKING RING
20	1	O-RING
21	1	STEEL BALL
22	1	BACK SEAT



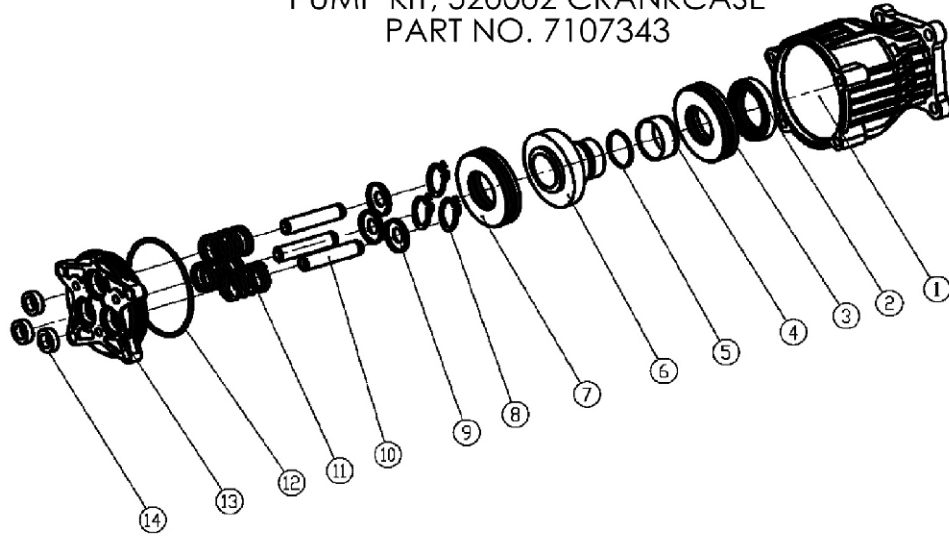
520002 PUMP DRAWING PARTS LIST

ITEM	PART NO.	DESCRIPTION	QTY PER PUMP	COMMENT
1	7106683	Case	1	
2	7106632	Oil Seal	1	
3	7106633	Thrusting Bearing 2	1	
4	7106673	Back Ring, Wobble Plate	1	
5	7106674	O-Ring	1	
6	7106675	Wobble Plate	1	
7	7106635	Thrusting Bearing 1	1	
8	7106636	Clip	3	
9	7106637	Spring Base	3	
10	7106638	Plunger	3	
11	7106639	Spring, Plunger	3	
12	7106676	O-Ring	1	
13	7106677	Base, Plunger	1	
14	7105741	Oil Seal	3	Oil Seal Kit
15	7106642	Back Ring	3	
16	7106627	High Pressure Water Seal	3	Water Seal Kit
		Back Ring		
		O-Ring		
		Low Pressure Water Seal		
17	7106643	Back Ring	3	
18	7106644	O-Ring	1	
19	7104223	Valve Case	6	Valve Kit (INLET AND OUTLET)
		Spring		
		Valve Plate		
		Valve Seat		
		O-Ring		
20	7000123	Filter Gasket	1	
21	7105705	Nut	1	
22	7106678	Inlet Connector	1	
23	7106651	O-Ring	1	
24	7106679	Pump Head	1	
25	7106648	Screw	4	
26	7106649	Screw	3	
27	7101359	Thermal Protector	1	
28	7106680	O-Ring	1	
29	7106681	O-Ring	3	
30	7005061	Nut Plug	2	

520002 PUMP DRAWING PARTS LIST

ITEM	PART NO.	DESCRIPTION	QTY PER PUMP	COMMENT
31	7106654	Boost Valve Case	1	Pressure Boost Valve Kit
		Boost Valve Spring		
		Boost Valve Pole		
		Boost Valve Plate		
		O-Ring		
32	7104226	Nut	1	Unloader Kit
		Adjusting Nut		
		Spring		
		Seating Ring		
		Valve Sheath		
		O-Ring		
		O-Ring		
		Checking Ring		
		O-Ring		
		Valve Pole		
		Spring		
		Checking Ring		
		O-Ring		
		Pin		
		Upper Seat		
		Checking Ring		
		O-Ring		
		Steel Ball		
		Back Seat		
33	7106682	Screw	5	
34	7106655	U-Pin	1	
35	7104228	Nozzle	1	Soap Injector Kit
		O-Ring		
		O-Ring		
		Spring		
		Steel Ball		
36	7106687	Manifold	1	
37	7106630	O-Ring	1	Venturio Tube Kit
		Checking Valve Core		
		Checking Valve Spring		
		Nozzle		
		O-Ring		
		Venturi Tube		
		O-Ring		
38	7106651	O-Ring	1	
39	7106686	Outlet Connector	1	
40	7106652	O-Ring	1	

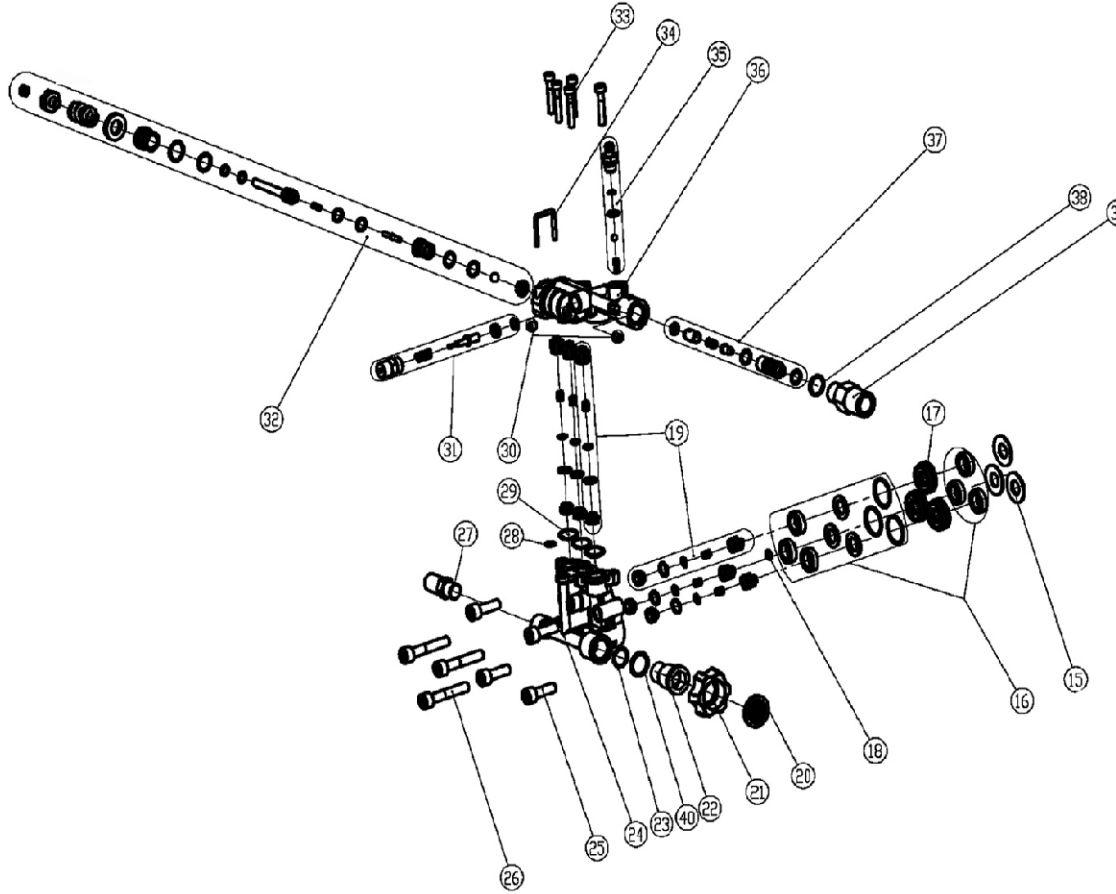
PUMP KIT, 520002 CRANKCASE
PART NO. 7107343



520002 PUMP DRAWING PARTS LIST

ITEM	PART NO.	DESCRIPTION	QTY PER PUMP	COMMENT
1	7106683	Case	1	
2	7106632	Oil Seal	1	
3	7106633	Thrusting Bearing 2	1	
4	7106673	Back Ring, Wobble Plate	1	
5	7106674	O-Ring	1	
6	7106675	Wobble Plate	1	
7	7106635	Thrusting Bearing 1	1	
8	7106636	Clip	3	
9	7106637	Spring Base	3	
10	7106638	Plunger	3	
11	7106639	Spring, Plunger	3	
12	7106676	O-Ring	1	
13	7106677	Base, Plunger	1	
14	7105741	Oil Seal	3	Oil Seal Kit

PUMP KIT, 520002 MANIFOLD
PART NO. 7107344



520002 PUMP DRAWING PARTS LIST

15	710645	Back Ring	3	
16	710627	High Pressure Water Seal	3	Water Seal Kit
		Back Ring		
		Low Pressure Water Seal		
17	710644	Back Ring	3	
18	710644	O-Ring	1	
19		Valve Case	6	Valve Kit (INLET AND OUTLET)
	710429	Valve Pin		
		Valve Seat		
		O-Ring		
20	709123	Filter Gasket	1	
21	712770	Nut	1	
22	712673	Insert Connector	1	
23	712651	O-Ring	1	
24	712673	Insert Connector	1	
25	712645	Seal	4	
26	712644	Seal	3	
27	712353	Thermal Protector	1	
28	712660	O-Ring	1	
29	712668	O-Ring	3	
30	702991	Ball Plug	2	
31		Boost Valve Case	1	Pressure Boost Valve Kit
	712655	Boost Valve Spring		
		Boost Valve Plate		
		O-Ring		
32		Ball	1	Unloader Kit
		Adjusting Nut		
		Spring		
		Sealing Ring		
		Valve O-ring		
		O-Ring		
		O-Ring		
		Checking Ring		
		O-Ring		
	712420	Valve Plate		
		Spring		
		Checking Ring		
		O-Ring		
		Upper Seat		
		Checking Ring		
		O-Ring		
		Ball Nut		
	Ball Seat			
33	712682	Seal	5	
34	712652	SPN	1	
35		Nozzle	1	Surge Injector Kit
		O-Ring		
	712429	Spring		
36		Check Seat	1	
	712687	Manifold		
37		O-Ring	1	Venturis Tube Kit
		Checking Valve Case		
		Checking Valve Spring		
	712653	Nozzle		
		O-Ring		
	Venturis Tube			
38	712651	O-Ring	1	
39	712666	Insert Connector	1	
40	712682	O-Ring	1	