

ITEM	PART NO	DESCRIPTION	QTY.
1	7106607	FRAME, SERVICE ASSEMBLY, RED	1
2	7104116	HANDLE, ASSY WITH BONNET, NOZZLE STRIP & LABEL	1
†	2.1	HANDLE, BENT TUBE RED	1
†	2.2	7105905 BONNET, SERVICE ASSEMBLY WITH LABELS	1
†	2.3	SCREW, 1/4-20 TORX PANHEAD	2
	3	7104047 ENGINE SERVICE ASSEMBLY WITH LABELS, HONDA GCV190	1
	4	7104174 KEY, SHAFT 3/16SQ X 1-1/4	1
	5	7105466 OEM PUMP SERVICE ASSEMBLY, 3000PSI @2.4GPM	1
¶	5.1	510003 OEM PUMP, 3000PSI @2.4GPM	1
†	5.2	CAP, UNLOADER COVER	1
†	5.3	BOLT, 5/16"-18 x 2" FLANGE	2
†	5.4	NUT, 5/16"-18 WHIZ	3
	6	7103292 FOOT KIT, RUBBER FOOT AND SCREW	2
†	6.1	FOOT, RUBBER 1.5 X 5/16	1
†	6.2	SCREW, 1/4-20 TORX PANHEAD	1
	7	7102045 BUTTON, SNAP	2
	8	7106805 WHEEL KIT, SERVICE ASSEMBLY	2
†	8.1	WHEEL, 10 x 4 (4.10/3.50-4) BLACK HUB	1
†	8.2	AXLE, STUB Ø.625" X 4.614" ROUND HEAD ZINC PLATED	1
†	8.3	CLIP, E-TYPE 5/8" X 0.042	1
†	8.4	WASHER, 5/8 FLAT	1
	9	7103285 FRONT SCOOP	1
	10	7100637 NOZZLE, SET 4 PC 3.0	1
	11	7103685 SOAP TANK ASSEMBLY	1
†	11.1	SOAP TANK	1
†	11.2	CAP, SOAP TANK BLACK	1
†	11.3	SCREW, 1/4-20 TORX PANHEAD	2
	12	7104847 GUN, 3000PSI @ 8.0GPM	1
	13	7103550 LANCE, 16IN, 1/4 QC M22(M)	1
	14	7105238 HOSE, 3100PSI BLACK, 1/4 X 25'	1
	15	7101162 SOAP HOSE, 1/4 X 51" CLEAR	1
*	16	7102045 UNIVERSAL NOZZLE CLEANING TOOL	1
*	17	7104572 OWNER'S MANUAL, MSV3025 SPECIFIC	1
*	18	7105699 BOX, SHIPPING	1

\* NOT SHOWN

† NOT SOLD SEPARATELY

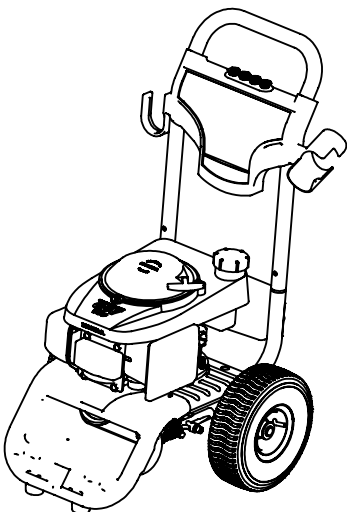
### PUMP IDENTIFICATION TABLE

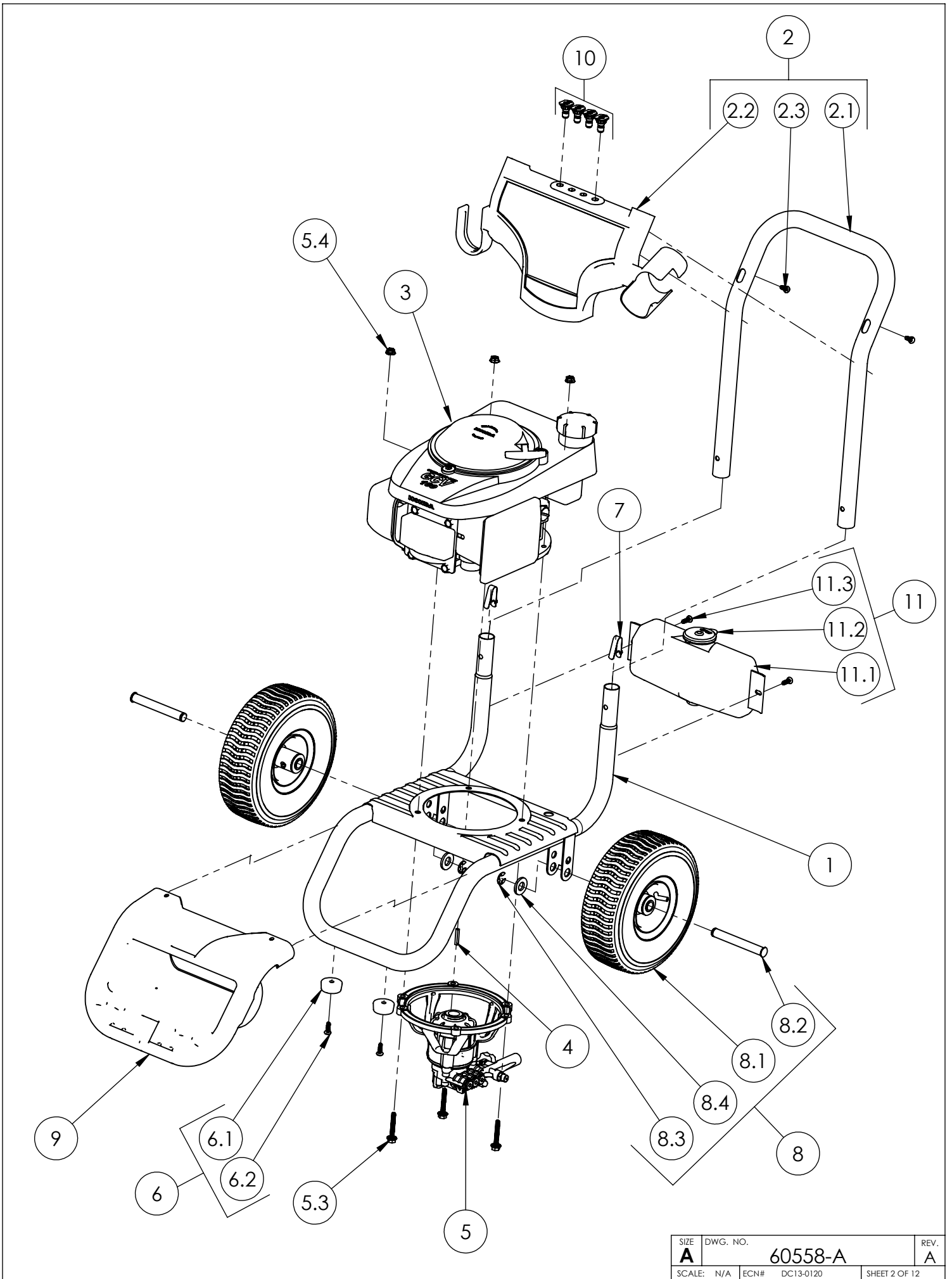
MACHINE SERIAL NO.	PUMP TYPE	PUMP KIT NO.	PUMP PART NO.
67070 TO 389132	VERTICAL, 3000PSI@2.4GPM	7105994	7104477
472555 TO PRESENT	OEM PUMP, 3000PSI@ 2.4GPM	7105466	510003

**ONLY THE LATEST VERSION OF THE PUMP IS AVAILABLE FOR REPLACEMENT**

FNA-GROUP		
1265 INDUSTRIAL STREET, DECATUR, AR 72722		
TITLE:		
<b>MSV3025-S</b>		
SIZE	DWG. NO.	REV.
<b>A</b>	<b>60558-S</b>	<b>A</b>
SCALE:	N/A	ECN# DC13-0120 SHEET 1 OF 12

**PROPRIETARY AND CONFIDENTIAL**  
 THE INFORMATION CONTAINED IN THIS DRAWING IS THE SOLE PROPERTY OF FNA-GROUP. ANY REPRODUCTION IN PART OR AS A WHOLE WITHOUT THE WRITTEN PERMISSION OF FNA-GROUP IS PROHIBITED.

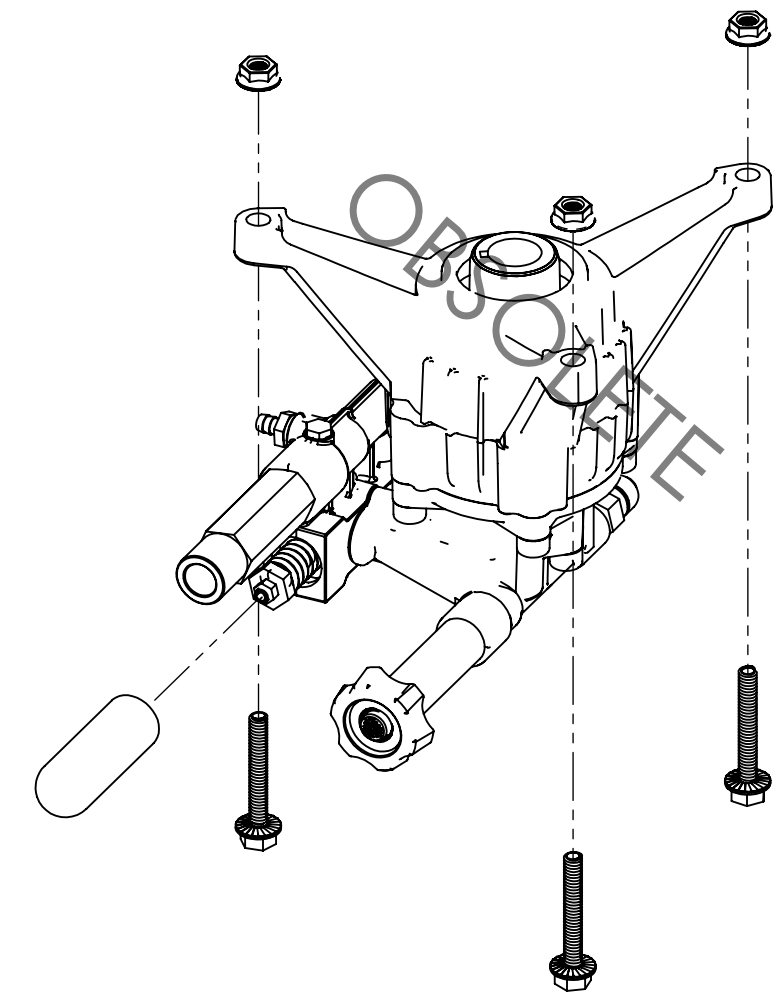
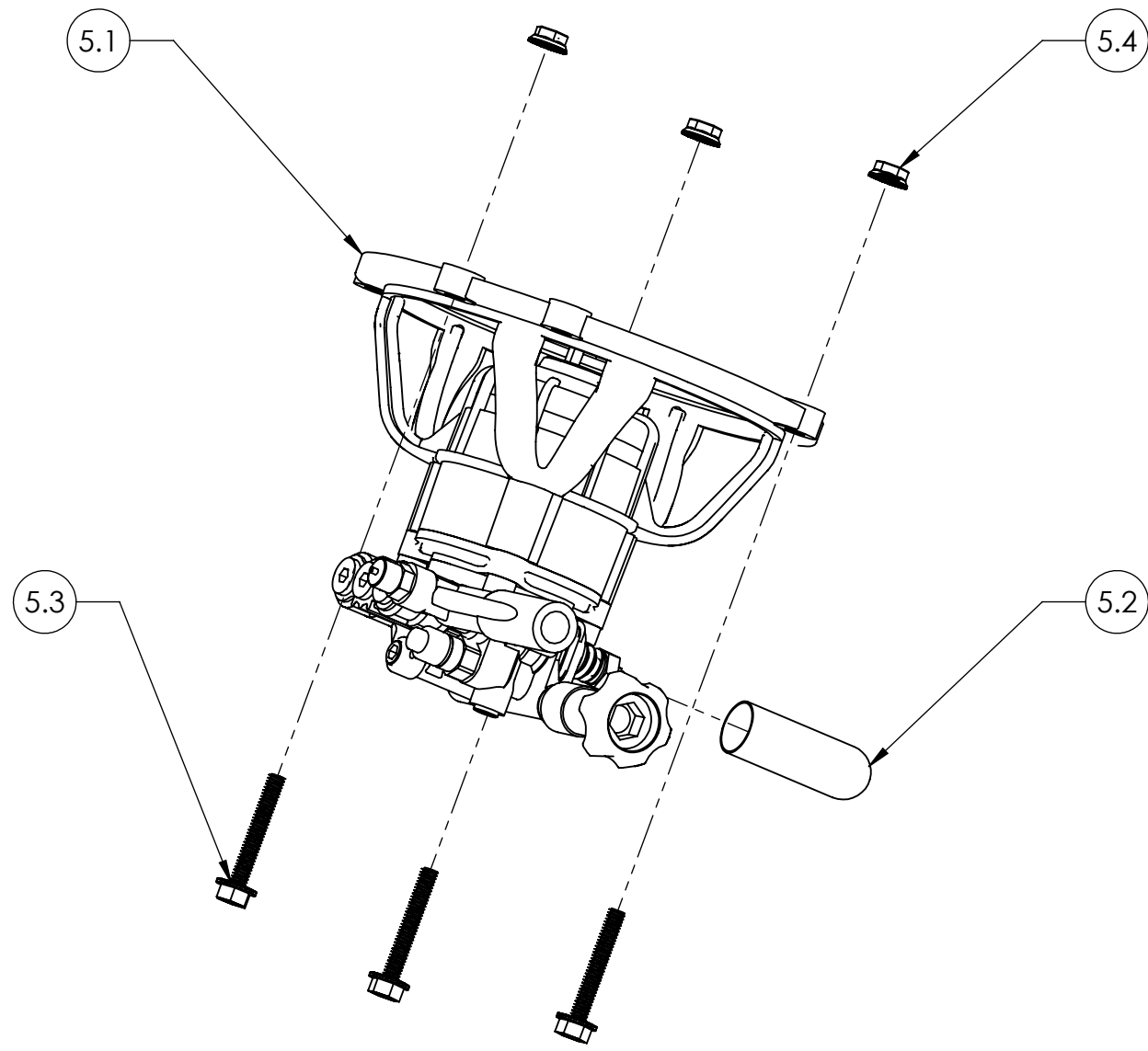




SIZE	DWG. NO.	REV.
<b>A</b>	<b>60558-A</b>	<b>A</b>
SCALE: N/A	ECN# DC13-0120	SHEET 2 OF 12

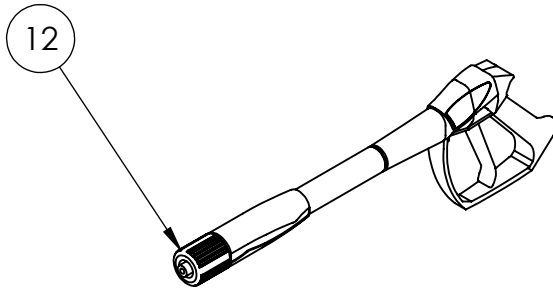
PUMP SERVICE ASSEMBLY, 510003  
PART NO. 7105466

PUMP SERVICE ASSEMBLY  
PART NO. 7105994

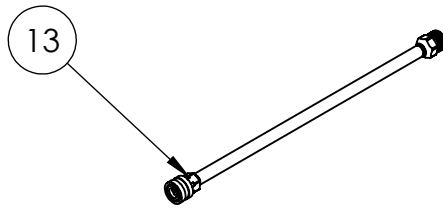


ITEM	PART NUMBER	DESCRIPTION	QTY
5.1	510003	OEM PUMP, 3000PSI @2.4GPM	1
5.2	7104122	CAP, UNLOADER COVER	1
5.3		BOLT, 5/16"-18 x 2" FLANGE	3
5.4		NUT, 5/16"-18 WHIZ	3

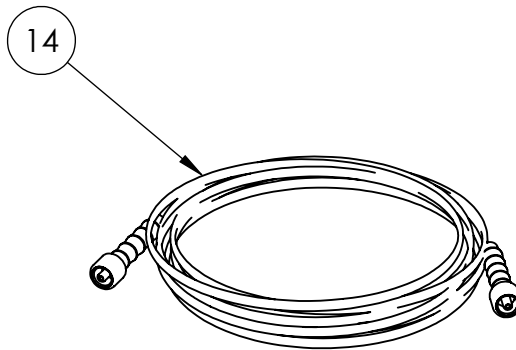
ITEM	QTY	PART NUMBER	DESCRIPTION
1	1	7104884	PUMP, 3000PSI @ 2.4GPM VERTICAL AXIAL
	1	7104224	WATER INLET KIT
	1	7104230	OUTLET EXTENSION KIT
	1	7104228	THERMAL RELIEF VALVE
	1	7101359	VALVE, THERMAL RELIEF 1/4" NPT(M)
2	1	7104122	CAP, UNLOADER COVER
3	3	7100710	NUT, 5/16"-18 WHIZ
4	3	7102158	BOLT, 5/16"-18 x 2" FLANGE



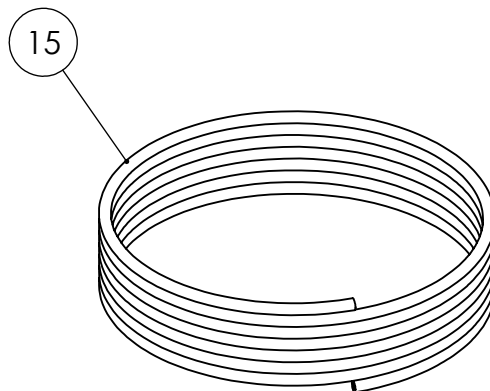
GUN, 3000 @8.0GPM  
PART NO. 7104847



LANCE, 31 IN 1/4 QC , M22  
PART NO. 7103550

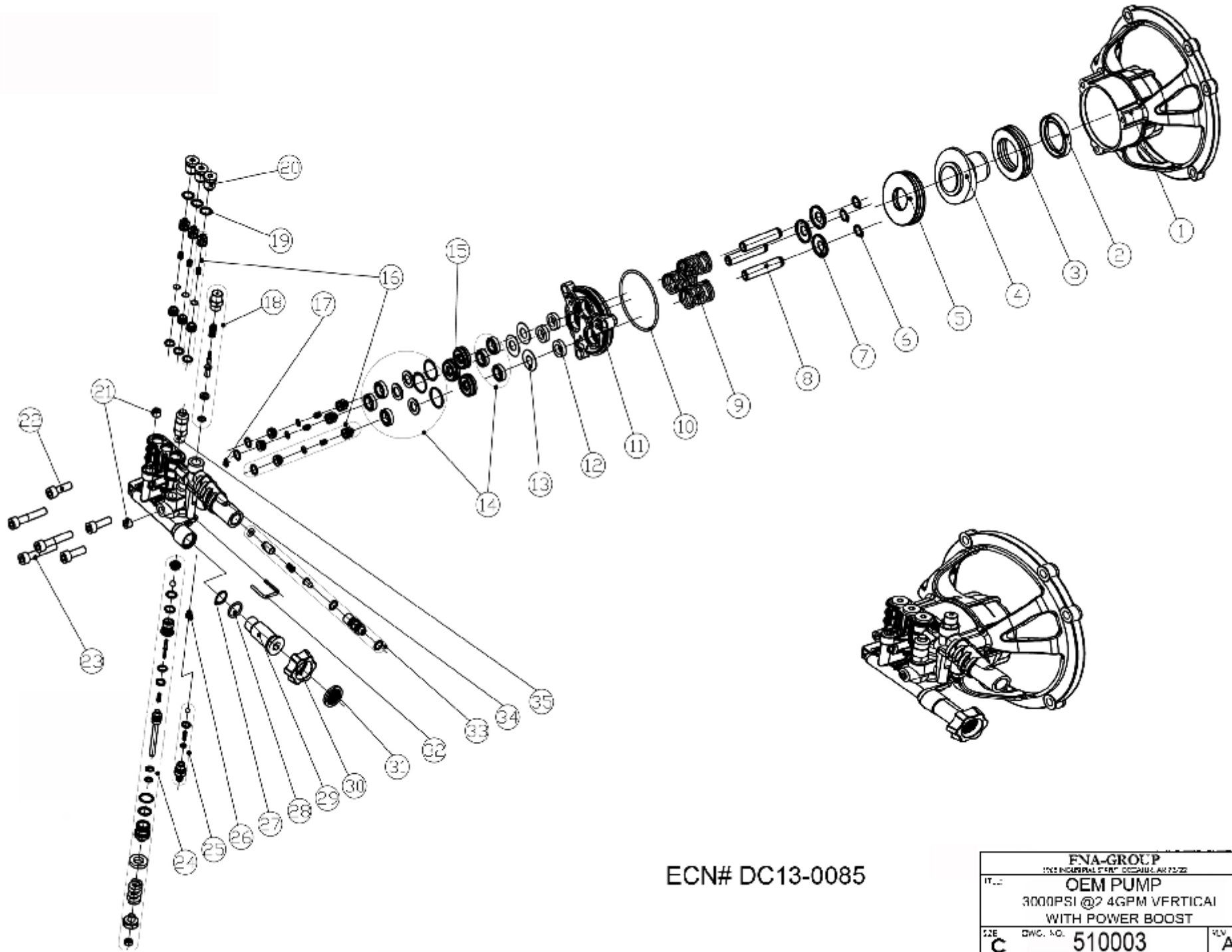


HOSE, 3100 PSI 1/4 X 25' BLACK  
PART NO. 7105238



SOAP HOSE, 1/4 CLEAR X 51"  
PART NO. 7101682

SIZE <b>A</b>	DWG. NO. <b>60558-S</b>	REV. <b>A</b>
SCALE: N/A	ECN#	DC13-0120
		SHEET 4 OF 12

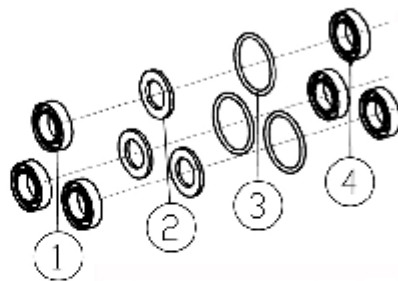


ECN# DC13-0085

<b>FNA-GROUP</b> <small>1763 INDUSTRIAL PARK, COVINGTON, LA 70022</small>		
<b>ITEM</b> <b>OEM PUMP</b> 3000PSI @ 4GPM VERTICAL WITH POWER BOOST		
<b>SIZE</b> <b>C</b>	<b>DWG. NO.</b> <b>510003</b>	<b>REV</b> <b>A</b>
<small>8 CHS</small>		<small>SCALE: 1:1</small>
<b>SHEET: 1 OF 3</b>		

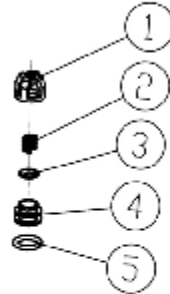
12 PART NO. 7105741

OIL SEAL KIT		
ITEM	QTY	DESCRIPTION
1	3	SEAL, OIL



14 PART NO. 7106627

WATER SEAL KIT		
ITEM	QTY	DESCRIPTION
1	3	HIGH PRESSURE SEAL
2	3	BACK RING
3	3	O-RING
4	3	LOW PRESSURE SEAL



16 PART NO. 7104223

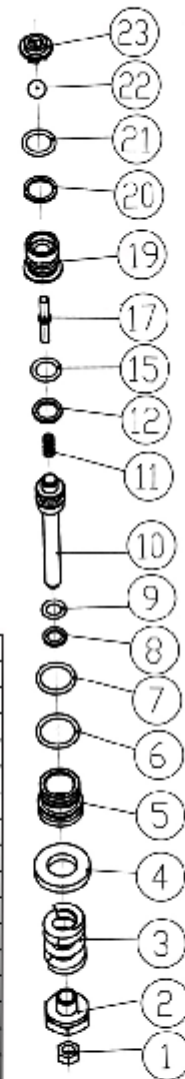
VALVE KIT		
ITEM	QTY	DESCRIPTION
1	6	VALVE CASE
2	6	SPRING
3	6	VALVE PLATE
4	6	VALVE SEAL
5	6	O-RING

18 PART NO. 7106628

BOOST VALVE KIT		
ITEM	QTY	DESCRIPTION
1	1	VALVE CASE
2	1	VALVE SPRING
3	1	VALVE POLE
4	1	VALVE PLATE
5	1	O-RING

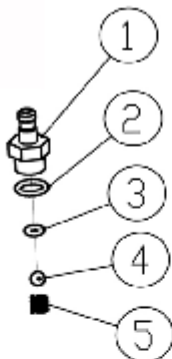
24 PART NO. 7104226

UNLOADER KIT		
ITEM	QTY	DESCRIPTION
1	1	NUT
2	1	ADJUSTING NUT
3	1	SPRING
4	1	SEATING RING
5	1	VALVE SHEATH
6	1	O-RING
7	1	O-RING
8	1	CHECKING RING
9	1	O-RING
10	1	VALVE POLE
11	1	SPRING
12	1	CHECKING RING
15	1	O-RING
17	1	PIN
19	1	UPPER SEAT
20	1	CHECKING RING
21	1	O-RING
22	1	STEEL BALL
23	1	BACK SEAT



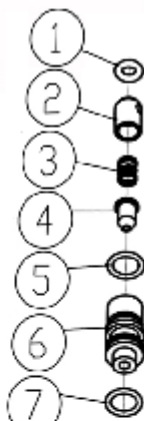
25 PART NO. 7104228

SOAP INJECTOR KIT		
ITEM	QTY	DESCRIPTION
1	1	HOSE BARB
2	1	O-RING
3	1	O-RING
4	1	STEEL BALL
5	1	SPRING



33 PART NO. 7106630

VENTURI TUBE KIT		
ITEM	QTY	DESCRIPTION
1	1	O-RING
2	1	CHECK VALVE CORE
3	1	CHECK VALVE SPRING
4	1	NOZZLE
5	1	O-RING
6	1	VENTURI TUBE
7	1	O-RING



ECN# DC13-0085

**FNA GROUP**  
 1700 S. GILBERT ST. P.O. BOX 10000  
 TULSA, OK 74112-0000

ITEM: **OEM PUMP**  
 3000PSI @2.4CPM VERTICAL  
 WITH POWER BOOST

REV: **C**    D/C NO: **510003**    REV: **A**

SCALE: 1:1    SHEET: 2 OF 3

### 510003 PUMP EXPLOSION DRAWING PARTS LIST

ITEM	PART NO.	PART NAME	QTY PER PUMP	COMMENT
1	7106631	Case	1	
2	7106632	Oil seal	1	
3	7106633	Thrusting Bearing 2	1	
4	7106634	Wobble Plate	1	
5	7106635	Thrusting Bearing 1	1	
6	7106636	Clip	3	
7	7106637	Spring Base	3	
8	7106638	Plunger	3	
9	7106639	Spring	3	
10	7106640	O-Ring	1	
11	7106641	Plunger Base	1	
12	7106741	Oil Seal	3	Oil Seal Kit
13	7106642	Back Ring	3	
14	7106627	High Pressure Water Seal Back Ring O-Ring Low Pressure Water Seal	3	Water Seal Kit
15	7106643	Back Ring	3	
16	7104223	Valve Case Spring Valve Plate Valve Seat O-Ring	6	Valve Kit (INLET AND OUTLET)
17	7106644	O-Ring	1	
18	7106628	Boost Valve Case Boost Valve Spring Boost Valve Plate Boost Valve Plate O-Ring	1	Boost Valve Kit
19	7106645	O-Ring	3	
20	7106646	Plug	3	
21	7106647	Plug	2	
22	7106648	Screw	3	
23	7106649	Screw	3	

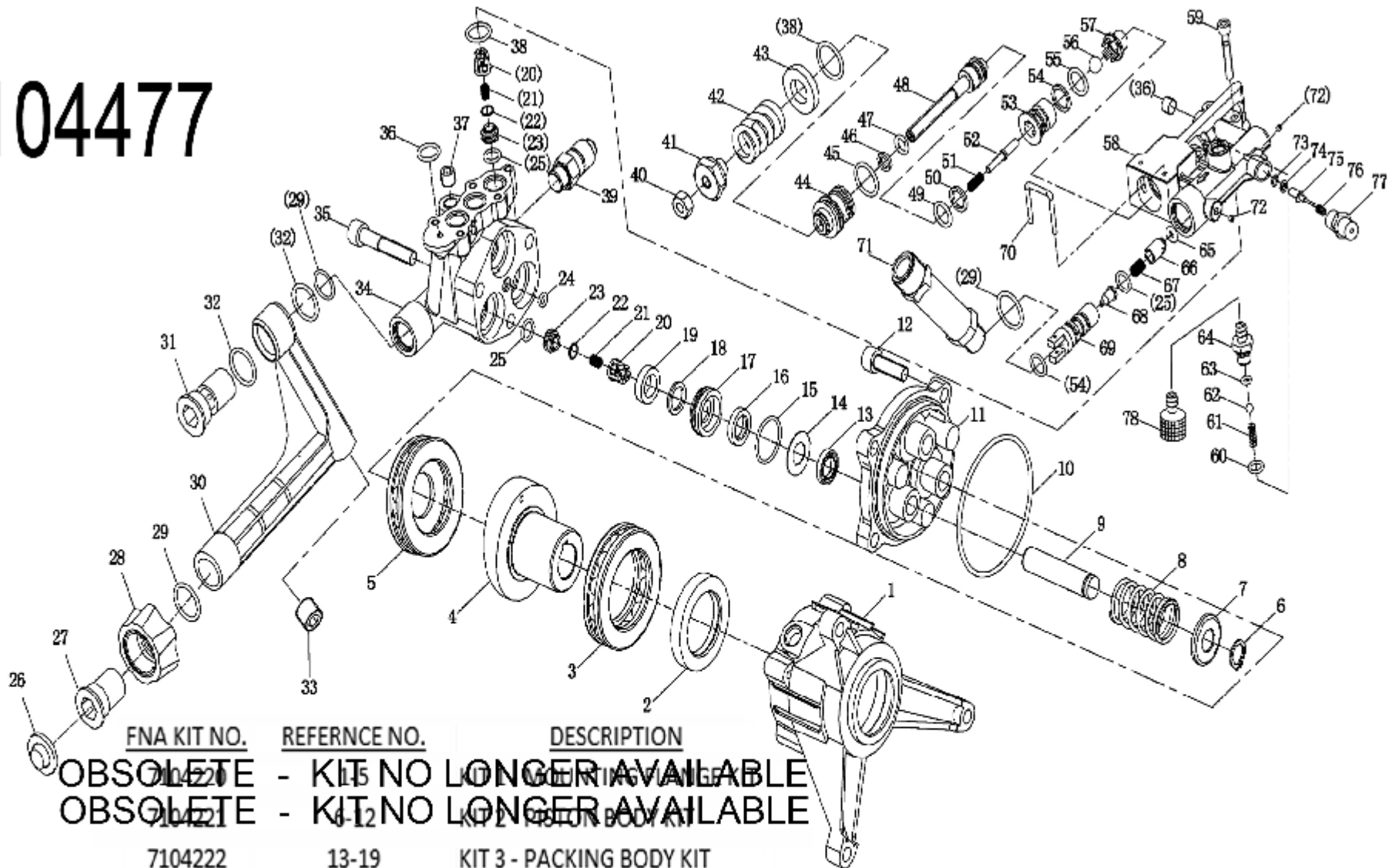
### 510003 PUMP EXPLOSION DRAWING PARTS LIST

ITEM	PART NO.	PART NAME	QTY PER PUMP	COMMENT
24	7104225	Nut	1	Unloader Kit
		Adjusting Nut		
		Spring		
		Sealing Ring		
		Valve Sheath		
		O-Ring		
		O-Ring		
		Checking Ring		
		O-Ring		
		Valve Pole		
		Spring		
		Checking Ring		
		O-Ring		
		Pin		
		Upper Seat		
Checking Ring				
O-Ring				
Steel Ball				
Back Seat				
25	7104226	Nozzle	1	Soap Injector Kit
		O-Ring		
		O-Ring		
		Steel Ball		
		Spring		
26	7106650	Venturi Tube Back Ring	1	
27	7106651	O-Ring	1	
28	7106652	O-Ring	1	
29	7106653	Inlet Connector	1	
30	7106654	Nut	1	
31	700123	Filter Gasket	1	
32	7106655	U-Pin	1	
33	7106630	O-Ring	1	Venturi Tube Kit
		Checking Valve Core		
		Checking Valve Spring		
		Nozzle		
		O-Ring		
Venturi Tube				
O-Ring				
34	7106656	Pump Head	1	
35	7101350	Thermal Relief Valve	1	

ECN# DC13-0085

<b>FNA-GROUP</b> <small>INDUSTRIAL PUMP COMPANY, INC.</small>		
<b>OEM PUMP</b> 3000PSI @ 7 GPM VERTICAL WITH POWER BOOST		
SIZE <b>C</b>	DWG. NO. <b>510003</b>	REV <b>A</b>
SHEET: 3 OF 3		REV: 11

# 7104477

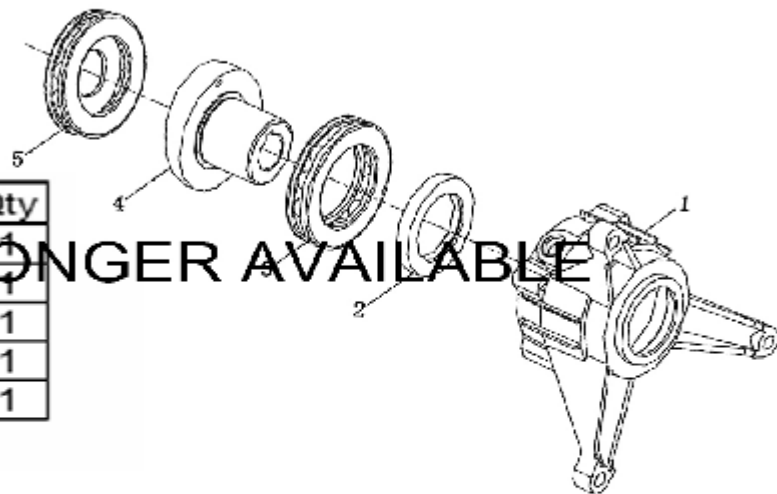


<u>FNA KIT NO.</u>	<u>REFERENCE NO.</u>	<u>DESCRIPTION</u>
<del>7104220</del>	<del>1-5</del>	<del>KIT 1 - MAIN HOUSING KIT</del>
<del>7104221</del>	<del>1-12</del>	<del>KIT 2 - PISTON BODY KIT</del>
7104222	13-19	KIT 3 - PACKING BODY KIT
7104223	20-23, 25	KIT 4 - VALVE KIT
7104538	26-33	KIT 5 - WATER INLET KIT
<del>7104224</del>	<del>34-37</del>	<del>KIT 6 - GEAR HEAD KIT</del>
7104226	38, 40-57	KIT 7 - UNLOADER KIT
<del>7104227</del>	<del>58-65</del>	<del>KIT 8 - PISTON ASSEMBLY KIT</del>
7104228	60-64	KIT 9 - SOAP INJECTOR KIT
<del>7104229</del>	<del>25, 38, 40-70, 72-88</del>	<del>KIT 10 - MAIN BODY KIT</del>
7104233	29, 71	KIT 11 - OUTLET EXTENSION KIT

# 7104477

## KIT 1 - MOUNTING FLANGE KIT 7104220

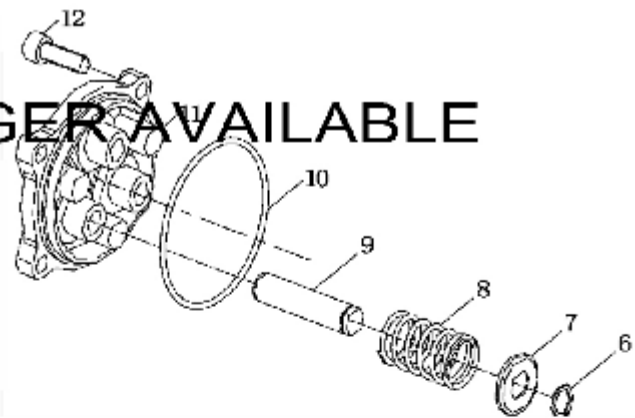
Item No.	Description	Qty
1	Wobble plate case	1
2	Oil seal B35528	1
3	Thrust bearing 2	1
4	Wobble plate	1
5	Thrust bearing 1	1



**OBSELETE - KIT NO LONGER AVAILABLE**

## KIT 2 - PISTON BODY KIT - 7104221

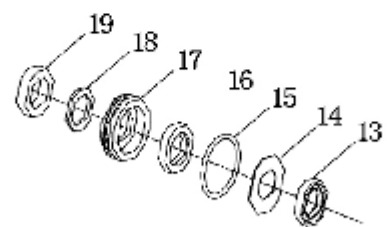
Item No.	Description	Qty
6	Retainer ring 12	3
7	Spring clip	3
8	Backhaul spring	3
9	Piston	3
10	O-ring 73*2.65	1
11	Piston seat	1
12	Screw 8*25	4



**OBSELETE - KIT NO LONGER AVAILABLE**

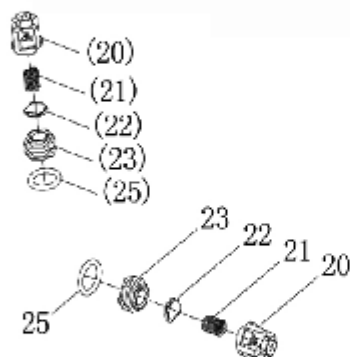
## KIT 3 - PACKING BODY KIT - 7104222

Item No.	Description	Qty
13	To-and-fro oil seal 12*20*6	3
14	Block washer	3
15	O-ring 22.4*1.8	3
16	Subsidiary seal washer 12*20*4	3
17	Subsidiary seal seat	3
18	Water seal washer	3
19	Water seal 12*20*5	3



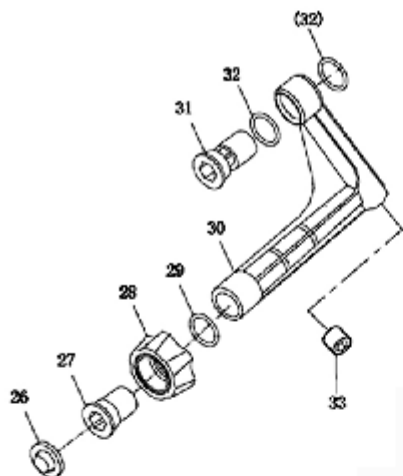
# 7104477

## KIT 4 - VALVE KIT - 7104223



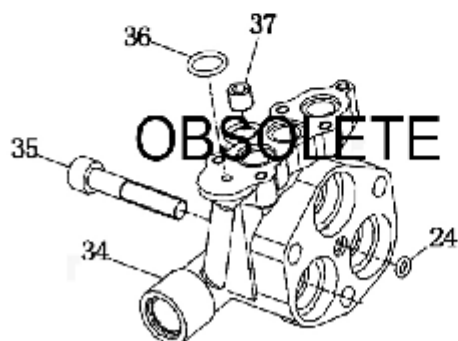
Item No.	Description	Qty
20	Valve cover	6
21	Valve spring	6
22	Valve gasket	6
23	Valve seat	6
25	O-ring 9*1.8	7

## KIT 5 - WATER INLET KIT - 7104538



Item No.	Description	Qty
26	Water inlet filter	1
27	Water inlet connector	1
28	Hand-tight nut	1
29	O-ring 14*1.8	2
30	Inlet Extension	1
31	Hollow bolt	1
32	O-ring 17*2.65	2
33	Plug	1

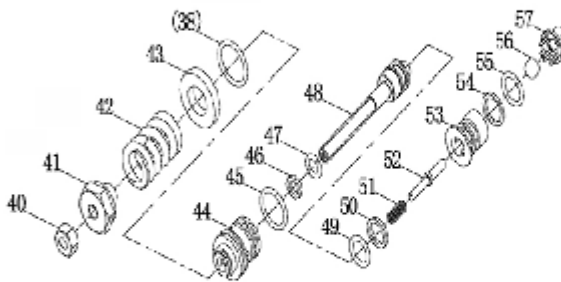
## KIT 6 - PUMP HEAD KIT - 7104225



Item No.	Description	Qty
<del>34</del>	<del>O-ring 9*1.8</del>	<del>1</del>
34	Manifold	1
35	Screw 8*45	3
36	O-ring 12*2	1
37	Block 1	2

**OBSOLETE - KIT NO LONGER AVAILABLE**

# 7104477



## KIT - 7 UNLOADER KIT - 7104226

Item No.	Description	Qty
38	O-ring 14*2	4
40	Nut M6	1
41	Regulating nut	1
42	Regulating spring	1
43	Fastness washer	1
44	Valve sheath	1
45	O-ring 12.8*1.8	1
46	Close retainer ring 6.2*9*1.25	1
47	O-ring 6*1.8	1
48	Valve rod	1
49	O-ring 8.5*1.8	1
50	Uncork retainer ring 8.7*11.6*1.25	1
51	Peak pin spring	1
52	Peak pin	1
53	Upper seat	1
54	Uncork retainer ring 10.3*13*1.25	1
55	O-ring 10*1.8	2
56	Steel ball $\phi$ 7/9	1
57	Lower seat	1

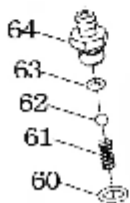
## KIT 8 - BY-PASS VALVE KIT - 7104227



**OBSELETE - KIT NO LONGER AVAILABLE**

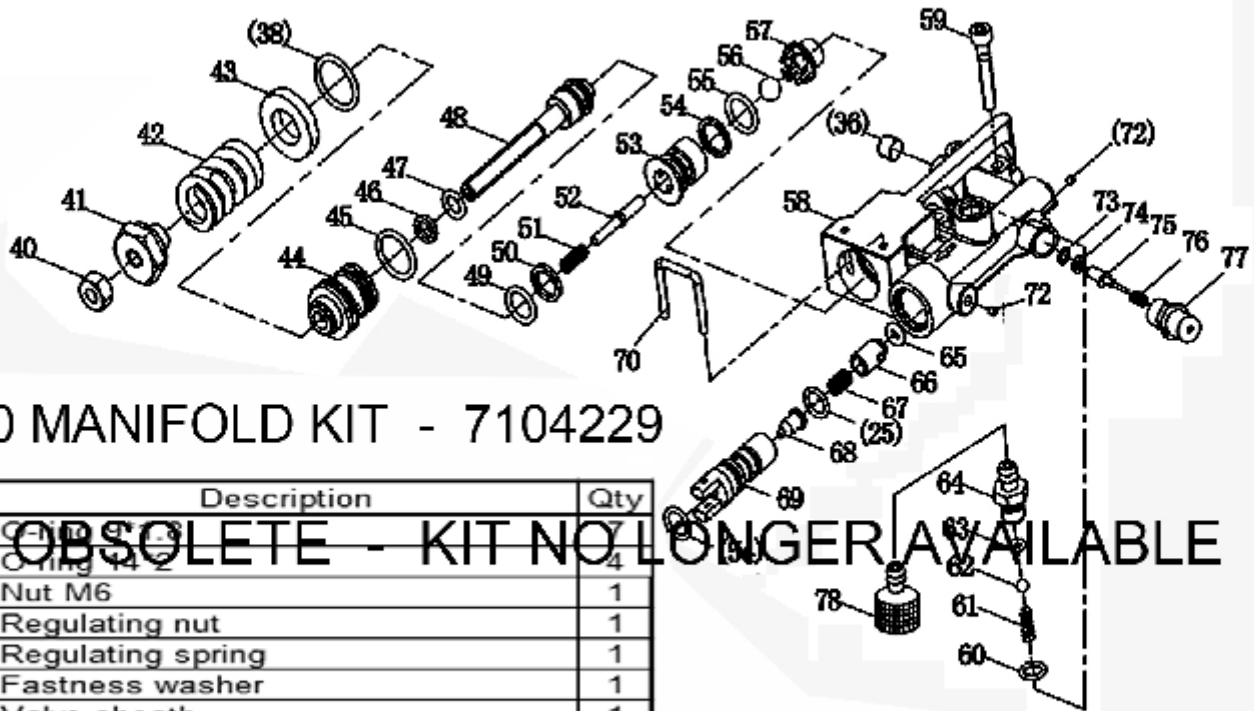
Item No.	Description	Qty
53	Upper seat	1
54	Uncork retainer ring 10.3*13*1.25	1
55	O-ring 10*1.8	1
56	Steel ball $\phi$ 7/9	1
57	Lower seat	1

## KIT 9 - SOAP INJECTOR KIT - 7104228



Item No.	Description	Qty
60	O-ring 7.5*1.8	1
61	Injector spring	1
62	steel ball $\phi$ 3/16	1
63	O-ring 3.55*1.8	1
64	Injector	1

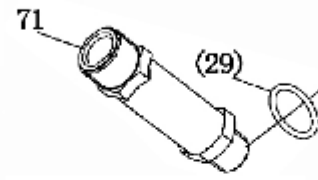
# 7104477



## KIT- 10 MANIFOLD KIT - 7104229

Item No.	Description	Qty
25	Chemical Filter	1
38	O-ring 14*1.8	1
40	Nut M6	1
41	Regulating nut	1
42	Regulating spring	1
43	Fastness washer	1
44	Valve sheath	1
45	O-ring 12.8*1.8	1
46	Close retainer ring 6.2*9*1.25	1
47	O-ring 6*1.8	1
48	Valve rod	1
49	O-ring 8.5*1.8	1
50	Uncork retainer ring 8.7*11.6*1.25	1
51	Peak pin spring	1
52	Peak pin	1
53	Upper seat	1
54	Uncork retainer ring 10.3*13*1.25	2
55	O-ring 10*1.8	1
56	Steel ball $\phi 7/9$	1
57	Lower seat	1
58	Outlet valve body	1
59	Screw M5*30	5
60	O-ring 7.5*1.8	1
61	Injector spring	1
62	steel ball $\phi 3/16$	1
63	O-ring 3.55*1.8	1
64	Injector	1
65	O-ring 4*2.65	1
66	Unilateral valve core	1
67	Unilateral valve spring	1
68	Nozzle	1
69	Venturitube	1
70	U Pin	1
72	Screw ZM6*8	2
73	O-ring 5.6*1.8	1
74	Washer	1
75	Valve rod	1
76	Spring	1
77	Power Booster	1
78	Chemical Filter	1

**OBSELETE - KIT NO LONGER AVAILABLE**



## KIT 11 - OUTLET EXTENSION KIT 7104233

Item No.	Description	Qty
29	O-ring 14*1.8	1
71	Outlet Extension	1