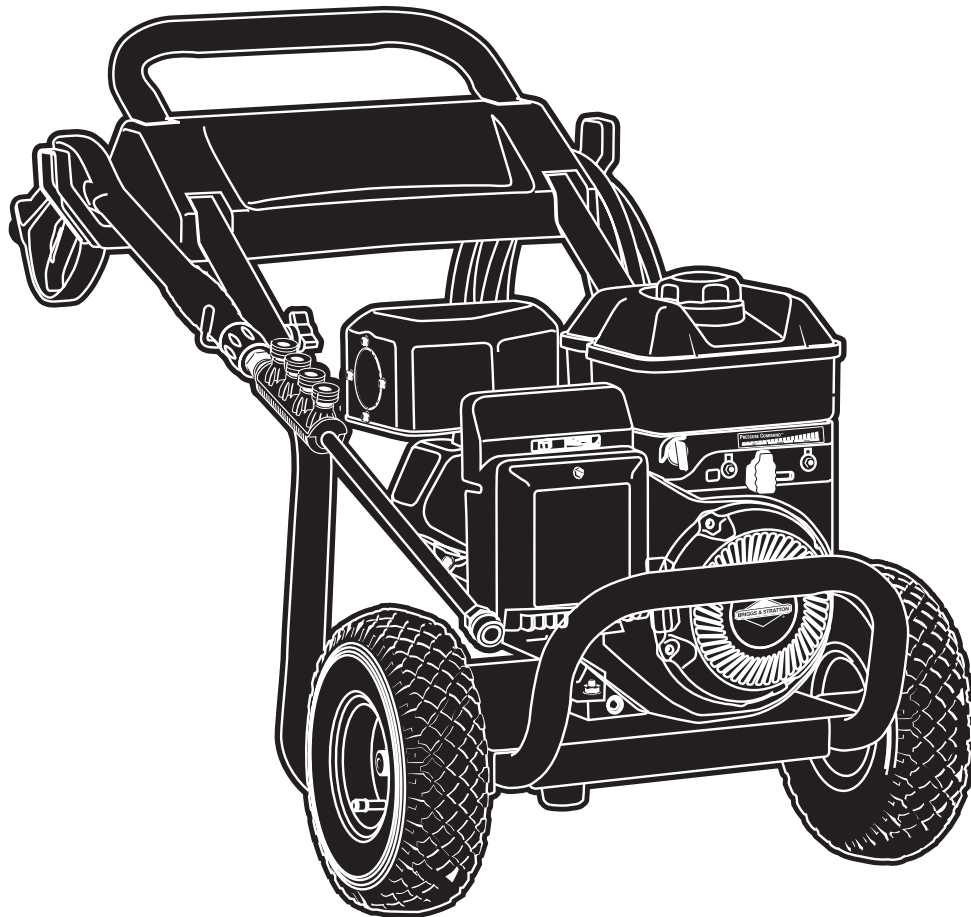


SNAPPER™

3000 PSI Pressure Washer

Illustrated Parts List



Snapper™ is a licensed trademark of Briggs & Stratton Power Products.
Snapper™ se usa abajo licencia a Briggs & Stratton Power Products.

Questions? Help is just a moment away!

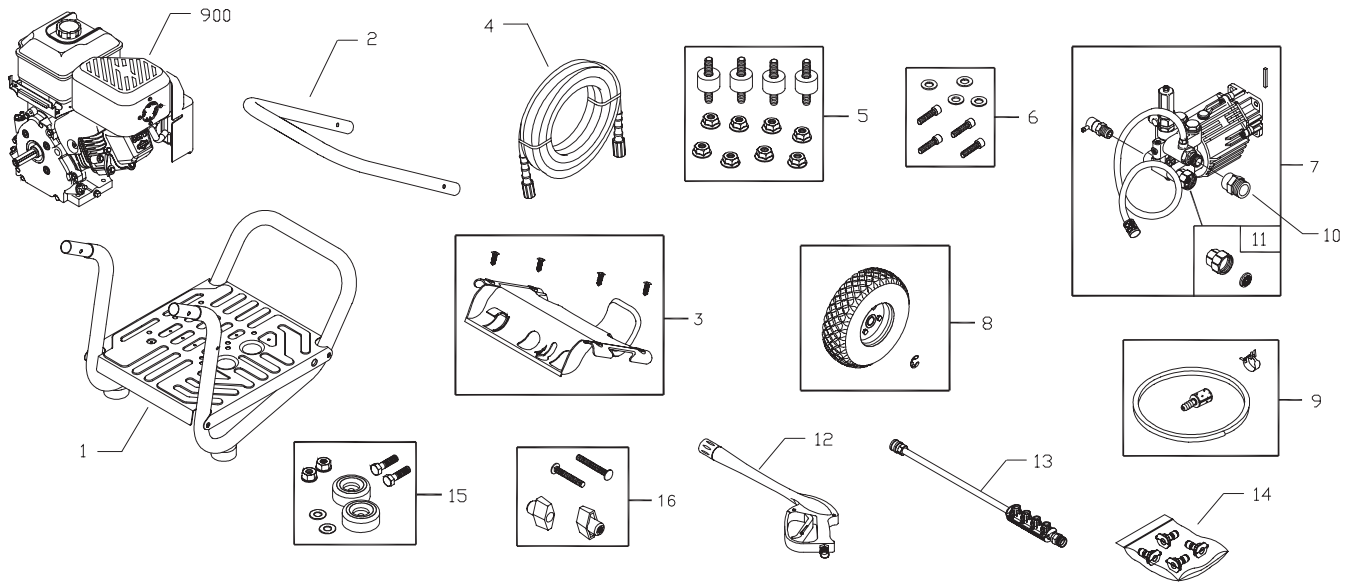
Preguntas? La ayuda es justa un momento lejos!

Call: **Pressure Washer Helpline - 1-800-317-7833** M-F 8-5 CT

Llame: **Línea Directa del Lavador a Presión - 1-800-317-7833** M-F 8-5 CT

BRIGGS & STRATTON POWER PRODUCTS GROUP, LLC
JEFFERSON, WISCONSIN, U.S.A.

EXPLODED VIEW AND PARTS LIST - MAIN UNIT



Item	Part #	Description
1	198732GS	ASSY, Base
2	M194567GS	HANDLE
3	198626GS	ASSY, Billboard w/Decal & Clips
	195964GS	CLIP, Tree
4	190470GS	HOSE
5	192134GS	KIT, Engine Mounting Hardware
6	192131GS	KIT, Pump Mounting Hardware
7	194003GS	ASSY, Pump
	194298GS	Valve, Thermal Relief
	23139DGS	Key
8	194509GS	KIT, Wheel
	191265GS	E-Ring
9	192796GS	KIT, Chem Hose & Filter
10	95457GS	CONNECTOR, Garden Hose
11	194004GS	KIT, Inlet, Hose, Garden
12	B3263GS	GUN
13	192198GS	EXTENSION, QC w/Nozzle Holder
14	196902GS	KIT, Nozzles
	198841GS	Nozzle, Plastic, Soap
	195983WGS	Nozzle, QC Red
	195983XGS	Nozzle, QC Yellow
	195983ZGS	Nozzle, QC White

Item	Part #	Description
15	197887GS	KIT, Vibration Mount
16	B2203GS	KIT, Handle Fasteners
900	§	ENGINE

Items Not Illustrated:

198398GS	MANUAL, Operator's
MS3431	MANUAL, Engine
BB3061BGS	OIL BOTTLE
87815GS	GOGGLES
194256GS	KIT, Tag Warning, Srv
191267SGS	AXLE
695755	KNOB, Throttle
198735GS	KIT, Decals

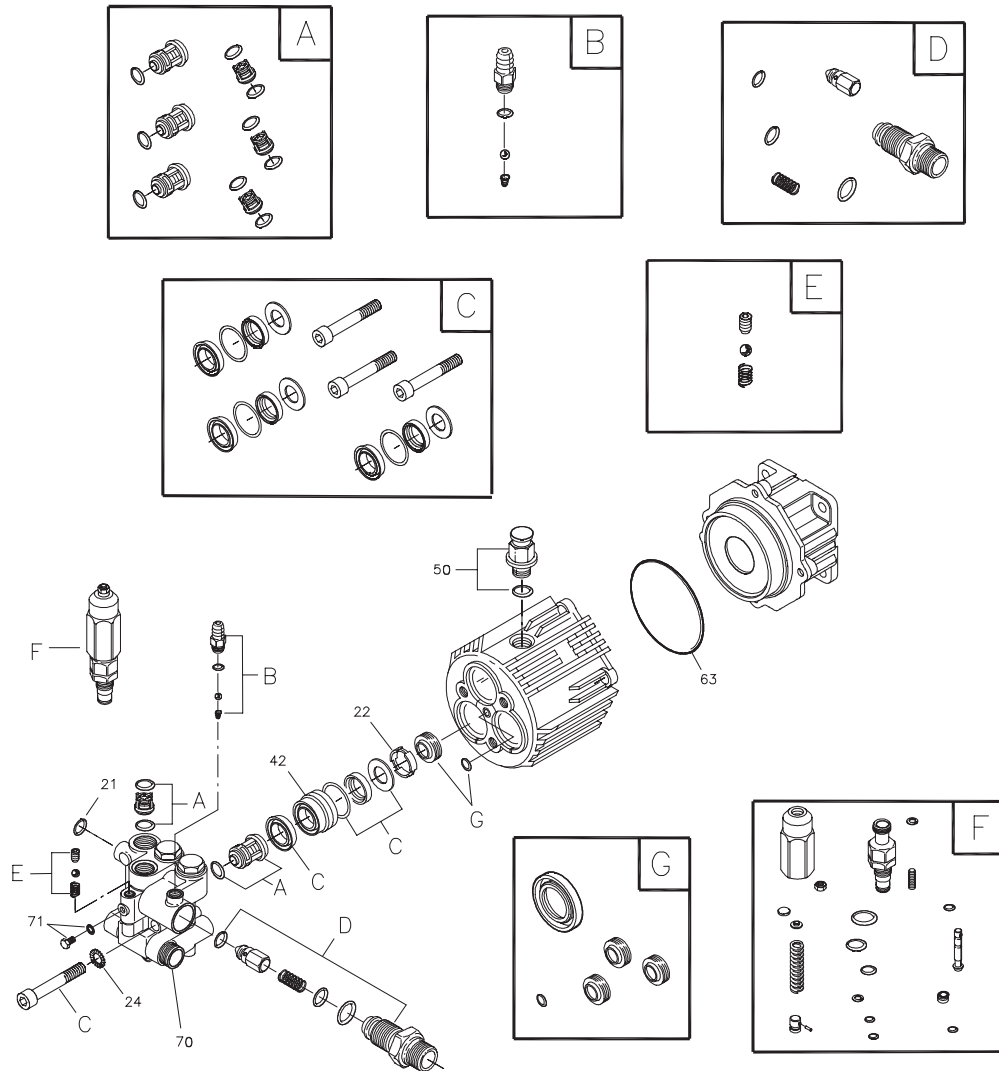
Optional Accessories

6048	KIT, O-Ring Maintenance
6039	PUMP SAVER

§ - Contact Engine Manufacturer

Copyright © 2007 Briggs & Stratton Power Products Group, LLC. All rights reserved. No part of this material may be reproduced or transmitted in any form by any means without the express written permission of Briggs & Stratton Power Products Group, LLC.

EXPLODED VIEW AND PARTS LIST - PUMP



Item	Part #	Description
21	194434GS	O-RING
22	190639GS	SPACER
24	190640GS	WASHER
42	190646GS	PISTON, Guide
50	198160GS	VENT CAP, with O-Ring
63	194435GS	O-RING
70	190654GS	PUMP HEAD
71	190655GS	GRUB SCREW & WASHER
A	190657GS	KIT, CHECK VALVE
B	192914GS	KIT, CHEMICAL INJECT
C	190660GS	KIT, SEAL WATER

Item	Part #	Description
D	194426GS	KIT, INJECTOR
E	194427GS	KIT, BALL & SPRING
F	193126GS	KIT, UNLOADER
G	194425GS	KIT, SEAL OIL

Items Not Illustrated:

190656GS	OIL BOTTLE
B2384GS	FILTER, INLET

NOTE: Item letters A - G are service kits and include all parts shown within the box.