

TASK FORCE™

Illustrated Parts List



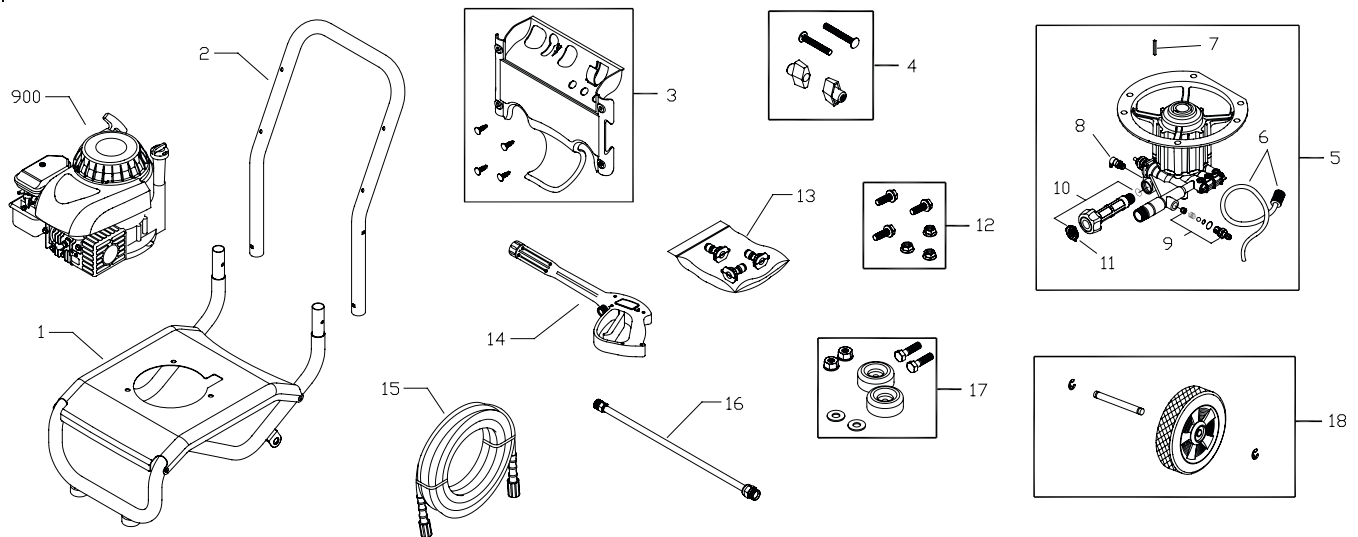
This pressure washer is rated in accordance to the Pressure Washer Manufacturer's Association (PWMA) standard PW101 (Testing and Rating Performance of Pressure Washers).

Questions? Help is just a moment away!
Call: Pressure Washer Helpline
1-800-743-4115 M-F 8-5 CT

Briggs & Stratton Power Products group, LLC
Jefferson, Wisconsin, U.S.A.

Model No.020390-0 (2200 PSI Pressure Washer) IPL No.209362 Revision A (10/23/2009)

Exploded View and Parts List — Main Unit



Item	Part #	Description
1	209398GS	BASE
2	S199110GS	HANDLE
3	209400GS	BILLBOARD
	B1797GS	CLIP
4	B2203GS	KIT-HARDWARE HANDLE
5	206383GS	PUMP
6	189971GS	KIT-CHEMICAL HOSE
7	23139GS	KEY
8	208673GS	VALVE-THERMAL RELIEF
9	200279GS	KIT-CHEMICAL INJ
10	200278GS	KIT-WATER INLET
11	B2384GS	FILTER-GARDEN HOSE
12	192525GS	KIT-HRDWR ENGINE MOUNTING
13	201324GS	KIT-QC NOZZLES
	198841GS	NOZZLE-QC BLACK
	195983AEGS	NOZZLE-QC RED
	195983QGS	NOZZLE-QC GREEN
14	204627GS	GUN
15	196006GS	HOSE
16	200595GS	EXTENSION-QC
17	192310GS	MOUNT-VIBRATION

Item	Part #	Description
18	209402GS	KIT-WHEEL
	192050GS	E-RING
	203873GS	AXLE
900	§	ENGINE

Items Not Illustrated

209527GS	MANUAL-OPERATOR'S
194256GS	TAG-WARNING
794693	DECAL-Warning
282599	SHROUD
200658GS	DECAL-Recoil
208692GS	DECAL-Shroud
BB3061BGS	OIL

Optional Accessories

6048	KIT-O-RING MAINTENANCE
6039	PUMP SAVER

§ - Contact Engine Manufacturer