

# TASK FORCE™

## Illustrated Parts List

**Pressure Washer  
Model 020391-0**



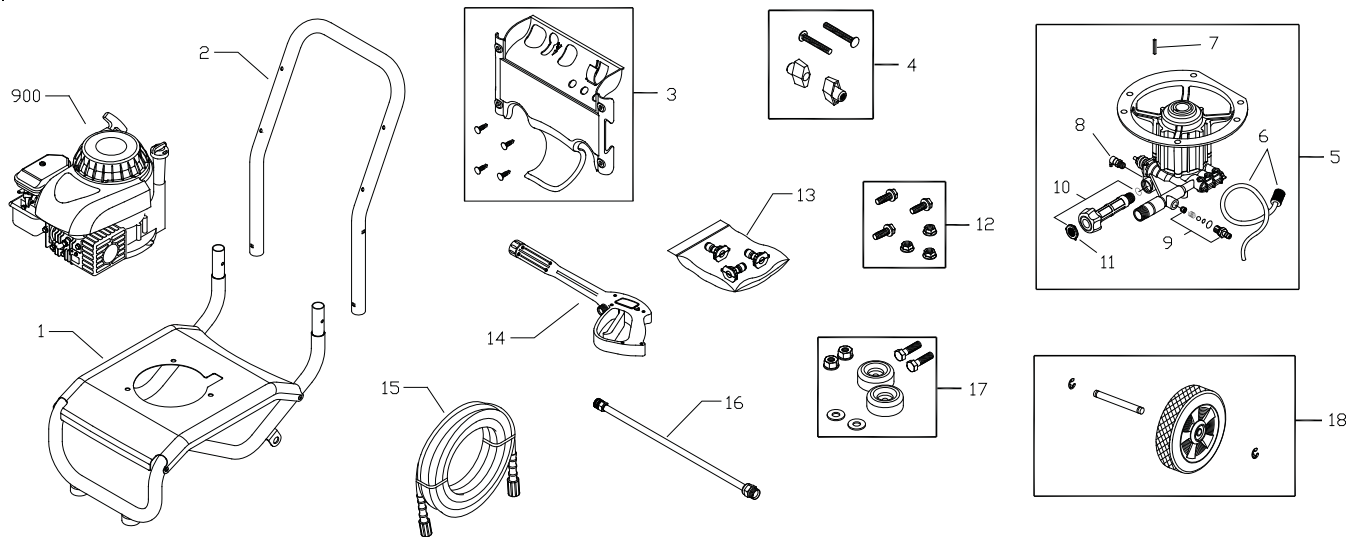
This pressure washer is rated in accordance to the Pressure Washer Manufacturer's Association (PWMA) standard PW101 (Testing and Rating Performance of Pressure Washers).

### **Questions?**

**Helpline - 1-800-743-4115 M-F 8-5 CT**

**Briggs & Stratton Power Products Group, LLC  
Jefferson, Wisconsin, U.S.A.**

# Exploded Views and Parts List



Item	Part #	Description
1	209398GS	BASE, w/Mounts
2	S199110GS	HANDLE
3	209400GS	BILLBOARD, w/Decals & Clips
	195964GS	Clips, Tree
4	B2203GS	KIT, Handle Connector
5	206383GS	PUMP
6	189971GS	Kit, Chemical Hose
7	23139GS	Key
8	208673GS	Valve, Thermal Relief
9	200279GS	Kit, Chemical Injection
10	200278GS	Kit, Water Inlet
11	B2384GS	Filter, Inlet
12	192525GS	KIT, Pump Mounting Hardware
13	201324GS	KIT, Spray Tips
	198841GS	Nozzle, Soap
	195983AEGS	Nozzle, QC, Red
	195983QGS	Nozzle, QC, Green
14	204627GS	GUN
15	196006GS	HOSE
16	200595GS	EXTENSION, QC

Item	Part #	Description
17	192310GS	KIT, Vibration Mount
18	209402GS	KIT, Wheel
	192050GS	E-Ring
	203873GS	Axle
900	§	ENGINE

### Parts Not Illustrated

208698GS	MANUAL, Operator's
194256GS	KIT, Tag/Warning, Service
794693	DECAL, Warning
282599	SHROUD
200658GS	DECAL, Recoil
208692GS	DECAL, Shroud
BB3061BGS	OIL BOTTLE

### Optional Accessories

6048	KIT, O-Ring Maintenance
6039	PUMP SAVER

§ - Contact Engine Manufacturer

Copyright © 2009 Briggs & Stratton Power Products Group, LLC. All rights reserved. No part of this material may be reproduced or transmitted in any form without the express written permission of Briggs & Stratton Power Products Group, LLC.