

**For Gas Pressure Washer Models:
WPX2700, WPX3200**

DO NOT RETURN THIS PRODUCT TO THE STORE

If you have questions or need assistance, please call customer service at 855-944-3571.

INTRODUCTION

TABLE OF CONTENTS

INTRODUCTION

DISCLAIMERS2
 ALL RIGHTS RESERVED.....2
 SPECIFICATIONS.....3

SAFETY

SAFETY DEFINITIONS.....4
 SAFETY SYMBOLS.....4
 FUEL SAFETY5

COMPONENTS

PRESSURE WASHER COMPONENTS7

ASSEMBLY

CARTON CONTENTS8
 INSTALL HANDLE8
 INSTALL MOUNTING FOOT AND LOWER GUN HOLDER....8
 INSTALL UPPER GUN HOLDER.....8
 INSERT SPRAY NOZZLES.....9
 ASSEMBLE SPRAY GUN AND HOSE9
 INITIAL OIL FILL9
 FUEL10
 FILLING THE FUEL TANK10
 CONNECT THE GARDEN HOSE.....11

OPERATION

PRESSURE WASHER LOCATION.....12
 STARTING THE ENGINE12
 STOPPING THE PRESSURE WASHER12
 SELECTING NOZZLES13

CHANGING THE NOZZLE.....13
 SPRAYING TIPS13
 DETERGENT USE.....14
 TRANSPORTING.....14

MAINTENANCE

MAINTENANCE SCHEDULE15
 CLEANING THE PRESSURE WASHER15
 AIR FILTER MAINTENANCE15
 ENGINE OIL LEVEL CHECK16
 ENGINE OIL CHANGE16
 SPARK PLUG MAINTENANCE17
 SPARK ARRESTOR SERVICE.....17
 WINTER STORAGE.....18
 VALVE CLEARANCE18
 TROUBLESHOOTING20

EXPLODED VIEWS AND PARTS LISTS

WPX2700 ENGINE EXPLODED VIEW21
 WPX2700 ENGINE PARTS LIST22
 WPX2700 PRESSURE WASHER EXPLODED VIEW.....24
 WPX2700 PRESSURE WASHER PARTS LIST25
 WPX3200 ENGINE EXPLODED VIEW26
 WPX3200 ENGINE PARTS LIST27
 WPX3200 PRESSURE WASHER EXPLODED VIEW.....29
 WPX3200 PRESSURE WASHER PARTS LIST30

ESPAÑOL.....31

FRANÇAIS.....51

INTRODUCTION


⚠ WARNING: Operating, servicing, and maintaining this equipment can expose you to chemicals including engine exhaust, carbon monoxide, phthalates, and lead, which are known to the State of California to cause cancer and birth defects or other reproductive harm. To minimize exposure, avoid breathing exhaust, and wear gloves or wash your hands frequently when servicing this equipment. For more information go to www.P65warnings.ca.gov.

DISCLAIMERS

All information, illustrations, and specifications in this manual were in effect at the time of publishing. The illustrations used in this manual are intended as representative reference views only. We reserve the right to make any specification or design change without notice.

ALL RIGHTS RESERVED

All rights reserved. No reproduction allowed in any form without written permission from Westinghouse Outdoor Power Equipment, LLC.

⚠ DANGER	
	Read this manual before using or performing maintenance on this product. Failure to follow the instructions and safety precautions in this manual can result in serious injury or death.

SAVE THESE INSTRUCTIONS

INTRODUCTION

SPECIFICATIONS

Specifications	WPX2700	WPX3200
Pressure (PSI/BAR):	2700/186	3200/220
Flow Rate (GPM/LPM):	2.3/8.71	2.5/9.46
Water Temperature (°F/°C):	104°/40° Max	
Hose Length (ft):	25	
Soap Tank Capacity (Gal/L):	0.42/1.6	
Engine Displacement (cc):	212	
Starting Type:	Recoil	
Fuel Capacity (Gal/L):	0.87/3.3	
Fuel Type:	87–93 octane*	
Oil Capacity (Oz/L):	20/0.6	
Oil Type:	SAE 10W-30	
Spark Plug:	F7TC	
Spark Plug Gap:	0.024 – 0.032 in. (0.60 – 0.80 mm)	
Nozzles (WPX2700):	0°, 25°, 40°, Soap	
Nozzles (WPX3200):	0°, 15°, 25°, 40°, Soap	
Certifications:	• EPA • CARB	

*Ethanol content of 10% or less. DO NOT use E15 or E85.

NOTICE

This product is designed and rated for continuous operation at ambient temperatures up to 104°F (40°C). If needed, this product can be operated at temperatures ranging from 5°F (15°C)–122°F (50°C) for short periods. If the product is exposed to temperatures outside of this range during storage, it should be brought back within this range before operation. This product must always be operated outdoors in a well-ventilated area and far away from doors, windows, and other vents.

Maximum power decreases about 3.5% for each 1,000 feet above sea level, and will also decrease about 1% for each 10°F (6°C) above 60°F (16°C) ambient temperature.

PRODUCT REGISTRATION

For trouble-free warranty coverage, it is important to register your Westinghouse generator.

You can register by:

- Completing and mailing the product registration card included in the carton.
- Registering your product online at: <https://westinghouseoutdoorpower.com/pages/warranty-registration>
- Scanning the following QR code with your smartphone camera. You will be directed to the mobile registration link.



- Sending the following product information to:

Westinghouse Outdoor Power
Warranty registration
777 Manor Park Drive
Columbus, OH 43228

For Your Records

Date of Purchase: _____

Model Number: _____

Serial Number: _____

Place of Purchase: _____

IMPORTANT: Keep your purchase receipt for trouble-free warranty coverage.

SAFETY

SAFETY

SAFETY DEFINITIONS

The words DANGER, WARNING, CAUTION, and NOTICE are used throughout this manual to highlight important information. Make sure that the meanings of this safety information is known to all who operate, perform maintenance on, or are near the pressure washer.



This safety alert symbol appears with most safety statements. It means attention, be alert, your safety is involved! Please read and abide by the message that follows the safety alerts symbol.

⚠ DANGER

Indicates a hazardous situation which, if not avoided, will result in death or serious injury.

⚠ WARNING

Indicates a hazardous situation which, if not avoided, could result in death or serious injury.

⚠ CAUTION

Indicates a hazardous situation which, if not avoided, could result in minor or moderate injury.

NOTICE

Indicates a situation which can cause damage to the pressure washer, personal property, and/or the environment, or cause the equipment to operate improperly.

Note: Indicates a procedure, practice or condition that should be followed for the pressure washer to function in the manner intended.

SAFETY SYMBOLS

Follow all safety information contained in this manual and on the pressure washer.

Symbol	Description
	Safety Alert Symbol
	Electrocution Hazard
	Asphyxiation Hazard
	Burn Hazard. Do not touch hot surfaces.
	Electrical Shock Hazard
	Fire Hazard
	Maintain Safe Distance
	Injection Risk. Do not direct water stream at people or pets.
	Kickback. Hold spray gun securely
	Lifting Hazard
	Read Manufacturer's Instructions
	Wear eye and ear protection

⚠ DANGER

CARBON MONOXIDE – using this product indoors CAN KILL YOU IN MINUTES. Operate this product outdoors only in a well ventilated area.

DO NOT operate the product inside any building, including garages, basements, crawlspaces and sheds, enclosure, or compartment. DO NOT allow exhaust fumes to enter a confined area through windows, doors, vents, or other openings.

FUEL SAFETY

⚠ DANGER

Fire and explosion hazard. Gasoline is highly explosive and flammable and can cause severe burns or death.

- In case of a gas fire, do not attempt to extinguish the flame if the fuel tank valve is in the ON position. Introducing an extinguisher to a pressure washer with an open fuel valve could create an explosion hazard.
- Gas has a distinctive odor, this will help detect potential leaks quickly.
- Gas vapors can cause a fire if ignited.
- Gasoline is a skin irritant and needs to be cleaned up immediately if it comes in contact with the skin.
- Gasoline and gasoline vapors are extremely flammable and explosive under certain conditions.
- ALWAYS refuel the pressure washer outdoors, in a well-ventilated area.
- NEVER remove the fuel cap with the engine running.
- NEVER refuel the pressure washer while the engine is running. Always turn the engine off and allow the pressure washer to cool for at least two minutes before refueling.
- Only fill fuel tank with gasoline.
- Keep sparks, open flames or other form of ignition (such as match, cigarette, static electric source) away when refueling.
- NEVER overfill the fuel tank. Leave room for fuel to expand. Overfilling the fuel tank can result in a sudden overflow of gasoline and result in spilled gasoline coming in contact with HOT surfaces.
- Spilled fuel can ignite. If fuel is spilled on the pressure washer, wipe up any spills immediately. Dispose of rag properly. Allow area of spilled fuel to dry before operating the pressure washer.
- Wear eye protection while refueling.
- NEVER use gasoline as a cleaning agent.
- Store any containers containing gasoline in a well-ventilated area, away from any combustibles or source of ignition.
- Check for fuel leaks after refueling.
- Never operate the engine if a fuel leak is discovered.
- Store fuel in a container approved for gasoline.
- Do not smoke when filling the pressure washer with gasoline.
- Do not allow the gas tank to overflow when filling.
- Shut down the engine and allow it to cool for two minutes before adding gasoline or oil to the pressure washer.
- Wipe spilled fuel from the unit.
- Never attempt to burn off spilled fuel.

- Store any containers containing gasoline in a well-ventilated area, away from any combustibles or source of ignition.

GENERAL SAFETY PRECAUTIONS

- Do not operate when you are tired or under the influence of drugs, alcohol, or medication.
- Always wear safety goggles or safety glasses with side shields, and as necessary a full face shield as well as full ear protection when operating this product.
- If you begin to feel sick, dizzy, or weak while using the pressure washer, move to fresh air IMMEDIATELY. See a doctor, as you can have carbon monoxide poisoning.
- Only use OUTSIDE and far away from windows, doors, and vents as recommended by the US Department of Health and Human Services Centers for Disease Control and Prevention. Your specific home and/or wind conditions may require additional distance.
- While operating and storing, keep at least five feet of clearance on all sides of pressure washer, including overhead. Allow the pressure washer to cool a minimum of 30 minutes before storage. Heat created by the muffler and exhaust gases could be hot enough to cause serious burns and/or ignite combustible objects.
- Do not touch the muffler or engine. They are very HOT and will cause severe burns. Do not put body parts or any flammable or combustible materials in the direct path of the exhaust.
- Always remove any tools or other service equipment used during maintenance away from the unit before operating.
- Avoid skin contact with engine oil or gasoline. Wear protective clothing and equipment. Wash all exposed skin with soap and water.

⚠ DANGER

Risk of injection or injury. High pressure jets can be dangerous if subject to misuse. DO NOT direct discharge stream at persons, animals, electrical devices, or the machine itself. ALWAYS point spray gun in safe direction. Every time you stop the engine, depress the spray gun trigger to relieve pressure.

⚠ DANGER

NEVER spray flammable liquids or use pressure washer in areas containing combustible dust, liquids, or vapor. NEVER operate this machine in a closed building or in or near an explosive environment.

- The wheels are only intended for hand transport. The wheels are not suitable for towing the pressure washer either on or off-road

SAFETY

⚠ WARNING

Contact with electrical power source can cause electric shock or burn. NEVER spray in the direction of or near a power source/electrical outlet.

- NEVER disconnect the high pressure discharge hose from the machine while the system is pressurized.
- DO NOT let water in the pump freeze. See Storage section in the manual for instructions regarding winter storage.
- If water has frozen in the pressure washer, thaw the pressure washer in a warm room before starting.
- Use the pressure washer only for intended uses.
- Operate only on level surfaces.
- DO NOT expose pressure washer to excessive moisture, dust, or dirt.
- DO NOT allow any material to block the cooling slots.
- DO NOT use the pressure washer if the unit sparks, smokes, emits flames, or vibrates excessively.

When starting the pressure washer:

- NEVER run the unit dry. Be sure the water supply is completely turned on before operating the unit.
- DO NOT pour hot water on or into the pump; internal parts will be damaged and your warranty will be voided. ONLY use cold water.
- Use only on a level surface.
- Make sure there is proper drainage to dissipate water.
- Make sure that the fuel cap, air filter, spark plug, fuel lines, and exhaust system are properly in place.
- If you spill any gasoline on the tank, allow it to fully evaporate before operating.

When transporting or servicing the pressure washer:

- Disconnect the spark boot to prevent accidental starting.

When storing the pressure washer:

- Store away from sparks, open flames, pilot lights, heat, and other sources of ignition.
- Do not store gasoline near furnaces, water heaters, or any other appliances that produce heat or have automatic ignitions.

NOTICE

Water under high pressure can damage fragile surfaces. ALWAYS practice on a inconspicuous test area to understand when damage may occur.

⚠ WARNING

Use of pressure washers can create wet walking surfaces. While using a pressure washer, forces from the gun can cause you to loose footing and fall.

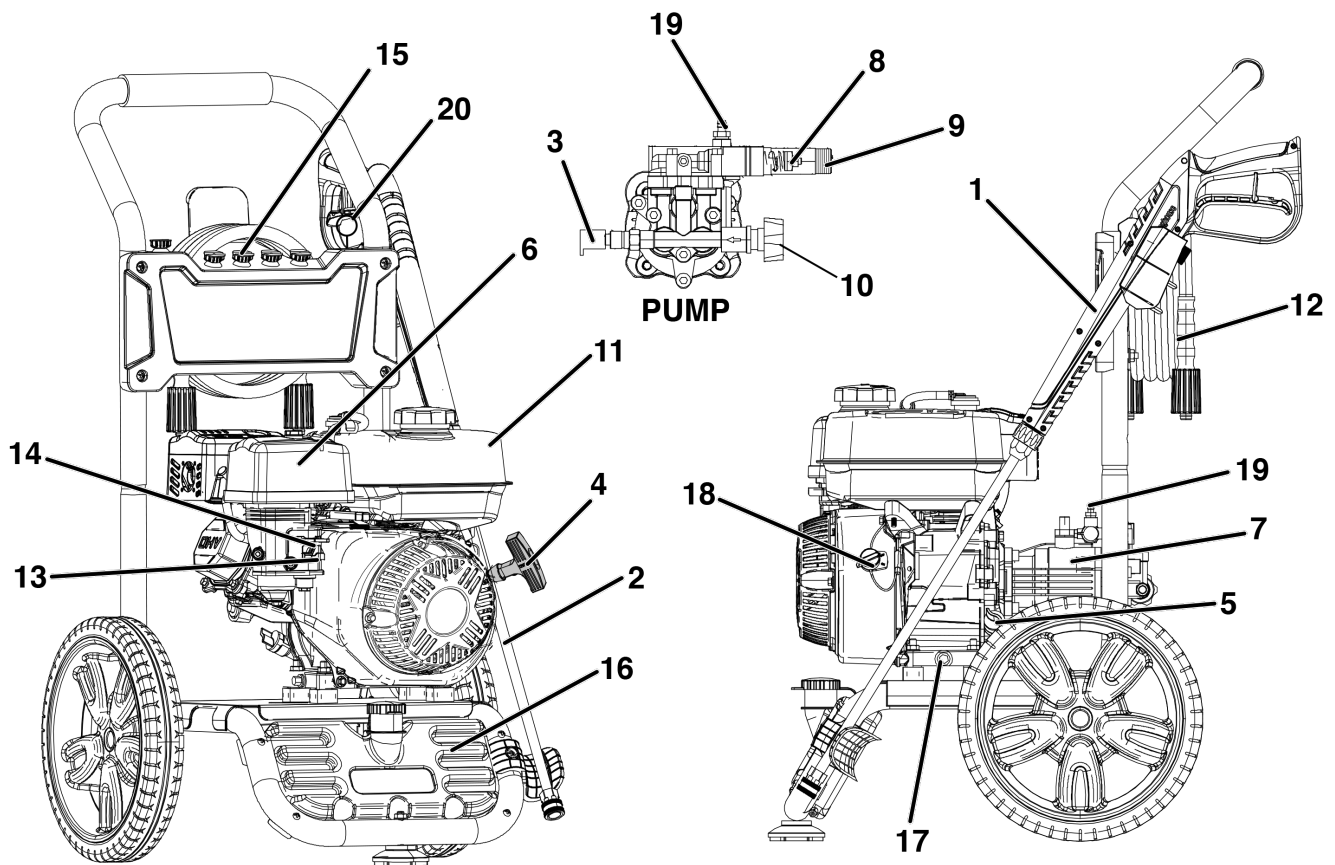
⚠ WARNING

High pressure spray can splash back at operator or propel objects.

- NEVER allow children to operate any pressure washer or play nearby.
- NEVER leave spray gun unattended while machine is running or until after engine has been turned off and pressure has been relieved from the spray gun.
- NEVER repair high pressure hose, replace it.
- NEVER repair leaking connections with sealant, replace damaged O-rings.
- NEVER use spray gun with a damaged or altered trigger lock.
- NEVER: secure the trigger in the open / spray position.
- ALWAYS keep high pressure hose connected to spray gun and pump while in use.
- ALWAYS make sure that the spray gun nozzle is properly attached to the lance.
- ALWAYS wear safety goggles when operating this equipment. Safety goggles cover the sides, top and bottom of the eyes. Don't confuse safety glasses for goggles.
- Use only on a level surface.
- DO NOT use on elevated surface where kickback could result in a serious fall.
- ALWAYS grasp the gun with two hands to prevent potential injury do to the high pressure from the gun.

COMPONENTS

PRESSURE WASHER COMPONENTS



1. **Spray Gun:** Controls the application of water onto the surface with trigger. Includes trigger lock.
2. **Gun Lance:** Connects to end of spray gun and works with pressure nozzles included.
3. **Thermal Relief Valve:** When water reaches 125° F warm water will discharge from pump onto ground to help prevent internal pump damage.
4. **Recoil Starter:** Pull to start engine.
5. **Oil Dipstick/Filler Neck:** Used to check/fill oil.
6. **Air Filter**
7. **Pump:** Generates high pressure.
8. **Unloader Valve:** Controls pressure output.
9. **High Pressure Outlet:** Connection for high pressure hose.
10. **Water Inlet:** Connection for garden hose.
11. **Fuel Tank:** Fill with regular unleaded fuel. Do not overfill.
12. **High Pressure Hose**
13. **Fuel On/Off Switch:** Turns fuel supply to the engine on and off.
14. **Choke:** Prepares a cold engine for starting.
15. **Nozzles:** Varying sizes for various high pressure cleaning applications.
16. **Detergent Tank:** Siphons detergent into the low pressure stream. Automatically turns on when using black soap nozzle. Only use pressure washer safe detergent.
17. **Oil Drain Plug:** Used to drain engine oil.
18. **Engine On/Off Switch:** Turn switch to the ON position before using the recoil starter. Turn to the OFF position to stop the engine.
19. **Detergent Hose Connection Barb:** Connects detergent tank to pump.
20. **Nozzle Cleaning Tool:** Used to clean nozzles.

ASSEMBLY

ASSEMBLY

CARTON CONTENTS

⚠ CAUTION

Weight hazard. Always have assistance when lifting the pressure washer.

1. Carefully open the carton.
2. Remove and save the carton contents.
3. Remove and discard the packing tray.
4. Unfold the top of the plastic bag enclosing the pressure washer.
5. Carefully cut the vertical corners of the carton.
6. Recycle or dispose of the packaging materials properly.

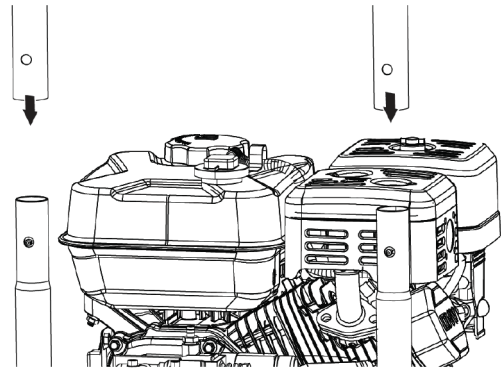
CARTON CONTENTS

Item	Quantity
• User manual	1
• Quick Start Guide	1
• Bottle 10W-30 oil	1
• Bottle funnel tip	1
• Spray gun	1
• Spray gun lance	1
• Handle	1
• High pressure hose	1
• Mounting foot	1
• Nozzle cleaning tool	1
• Spray nozzles (WPX2700)	4
• Spray nozzles (WPX3200)	5
• Nut, M8	1
• Spray gun upper holder	1
• Push rivet	1
• Spray gun lower holder	1
• Bolt and nut, M6	1
• Washers	2

If any parts are missing, contact our service team at service@powereq.com or call 1-855-944-3571.

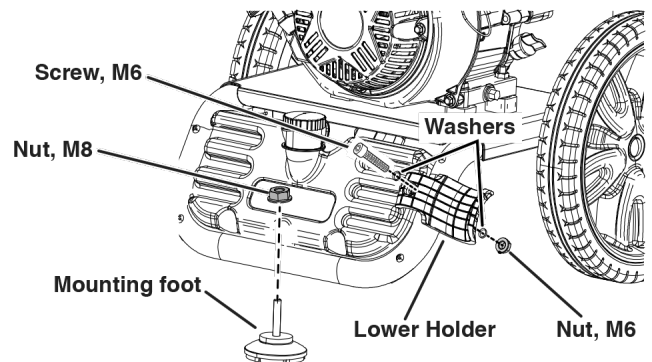
INSTALL HANDLE

Install the handle on the lower frame with the decal side facing the engine. Slide the handle downward until the spring buttons click into place through the holes in the handle.



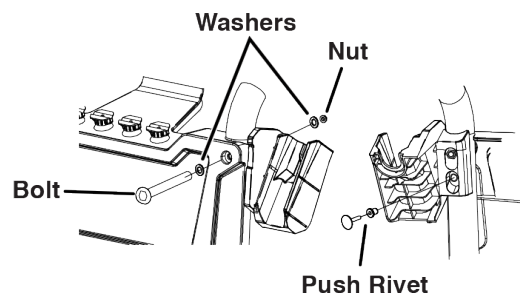
INSTALL MOUNTING FOOT AND LOWER GUN HOLDER

Install the mounting foot and secure with the M8 Nut. Attach the lower gun holder with the M6 screw, washers, and nut.



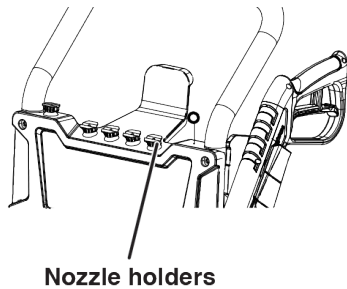
INSTALL UPPER GUN HOLDER

From the front of the unit, remove top-right bolt, washers, and nut. Reinstall with the upper spray gun holder. From the rear of the unit, install the push rivet as shown.



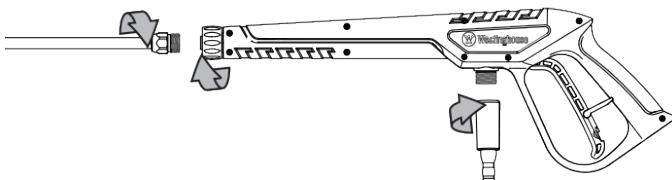
INSERT SPRAY NOZZLES

Insert the colored nozzles into the corresponding holders on the top of the pressure washer (WPX2700 shown).



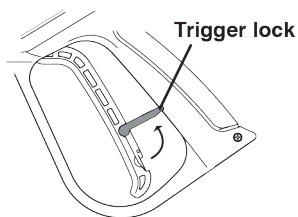
ASSEMBLE SPRAY GUN AND HOSE

1. Install the spray lance on the spray gun. Tighten the spray gun collar hand-tight. **DO NOT** over-tighten.
2. Install the high-pressure hose and tighten the collar. **DO NOT** over-tighten.

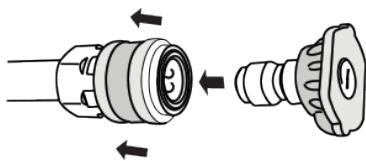


3. Engage the trigger lock in the safe position.

Note: The trigger lock prevents the spray gun from being triggered accidentally. Push the lock fully up to engage it.



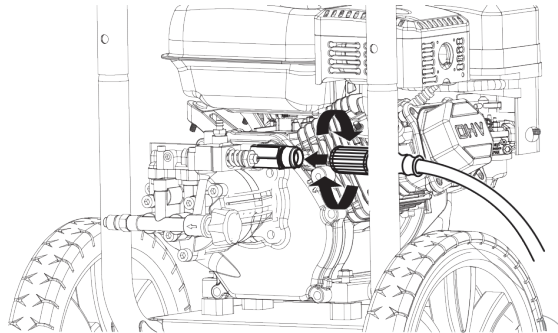
4. Select desired nozzle for application. Pull back the quick-connect collar at the end of the spray lance. Insert the nozzle then release the collar. Pull on the nozzle to make sure it is secured.



5. Mount the spray gun in the gun holders.
6. Connect the high-pressure hose to the high pressure outlet on the pump. **DO NOT** over-tighten.

NOTICE

Be careful to avoid cross-threading, which can cause the hose to leak during use.



INITIAL OIL FILL

NOTICE

THIS UNIT HAS BEEN SHIPPED WITHOUT OIL. Do not attempt to crank or start engine before it has been properly serviced with recommended oil. Failure to add engine oil before starting will result in serious engine damage.

NOTICE

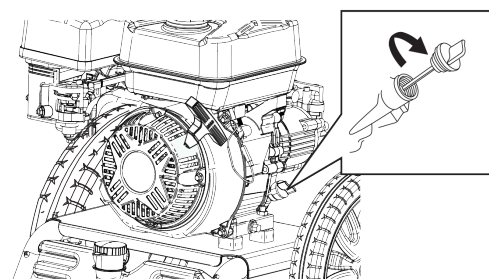
Use of 2-stroke/cycle oil or other unapproved oil types can cause severe engine damage that is not covered under warranty.

The included, recommended oil type for typical use is 10W-30 engine oil. If running the pressure washer in extreme temperatures, refer to the following chart.

		Recommended Engine Oil Type						
		10W-30						
		5W-30					10W-40	
		5W-30 Synthetic						
°F	-20	0	20	40	60	80	100	120
°C	-28.9	-17.8	-6.7	4.4	15.6	26.7	37.8	48.9
Ambient temperature								

1. On a level surface, remove the oil dipstick.

Note: There is an oil dipstick/filler neck on both sides of the unit. Either can be used to check or add oil.



ASSEMBLY

2. Using the supplied oil and funnel tip, add oil into oil filler neck.

Note: As residual oil from the factory may remain in the engine, add the oil incrementally to prevent overfilling the engine. See Engine Oil Level Check in the Maintenance section.

3. Replace the oil dipstick and hand-tighten.

FUEL

⚠ WARNING

Fire and explosion hazard. Never use a gasoline container, gasoline tank, or any other fuel item that is broken, cut, torn or damaged.

⚠ DANGER

Fire and explosion hazard. Do not overfill fuel tank. Fill only to the bottom of the filler neck. Overfilling may cause fuel to spill onto engine causing a fire or explosion hazard.

⚠ DANGER

Fire and explosion hazard. Never refuel the pressure washer while the engine is running. Always turn the engine off and allow the pressure washer to cool for two minutes before refueling.

NOTICE



Do not use E15 or E85 fuel in this product. Engine or equipment damage caused by stale fuel or the use of unapproved fuels (such as E15 or E85 ethanol blends) is not covered by warranty. Only use unleaded gasoline containing up to 10% ethanol.

FUEL REQUIREMENTS

- CLEAN, FRESH, unleaded gasoline, 87–93 octane.
- Up to 10% ethanol (gasohol) is acceptable (where available; non-ethanol fuel is recommended).
- DO NOT use E85 or E15.
- DO NOT use a gas oil mix.
- DO NOT modify the engine to run on alternate fuels.
- DO NOT fuel indoors.
- DO NOT create a spark or flame while fueling.

USING FUEL STABILIZER

Adding a fuel stabilizer (not included) extends the usable life of fuel and helps prevent deposits from forming that

can clog the fuel system. Follow the manufacturer's instructions for use.

Always mix the correct amount of fuel stabilizer to gasoline in an approved gasoline container before fueling the pressure washer. Run the pressure washer for two minutes to allow the stabilizer to treat the entire fuel system.

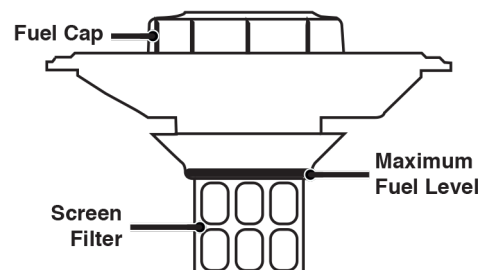
FILLING THE FUEL TANK

1. Turn the pressure washer OFF and allow to cool for a minimum of two minutes before fueling.
2. Place the pressure washer on level ground in a well ventilated area.
3. Clean area around fuel cap and remove the cap slowly.

NOTICE

Only fill the tank from an approved gasoline container. Make sure the gasoline container is internally clean and in good condition to prevent fuel system contamination.

4. Slowly add the recommended fuel. Do not overfill. Fill only to the top of the fuel screen filter visible in the filler neck.



5. Install the fuel cap and tighten until a click is heard.

NOTICE

Fuel can damage paint and plastic. Use caution when filling the fuel tank. Damage caused by spilled fuel is not covered under warranty.

NOTICE

Clean the fuel screen filter of debris before and after each fueling. Remove the fuel screen filter by slightly compressing it while removing it from the fuel tank.

CONNECT THE GARDEN HOSE

NOTICE

Never connect your pressure washer to a hot water supply. Connecting your pressure washer to a hot water source will significantly reduce the life of the pump and will void the warranty.

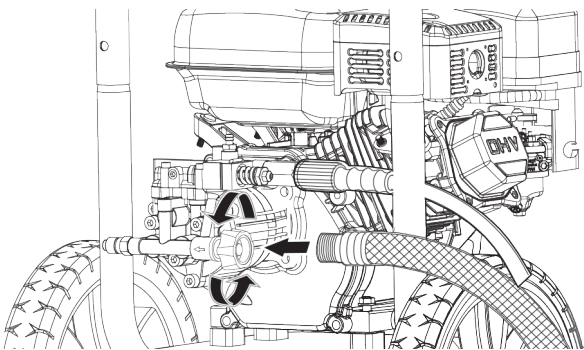
The water supply must come from a pressurized water spigot. NEVER use hot water or water from pools, lakes, etc. Before connecting the garden hose to the pressure washer:

1. Run water through the hose for 30 seconds to clean any debris from the hose.
2. Inspect the screen and gasket in the pump water inlet. If the screen or gasket is damaged, do not use the pressure washer until replaced.
3. If the screen is dirty, clean it before connecting the garden hose to the pump.
4. Completely uncoil the garden hose or remove completely from reel to prevent kinks.

NOTICE

There must be a minimum of 10 ft. (3 m) of unrestricted hose between the pressure washer intake and the hose faucet or shut off valve (such as a "Y" shut off connector).

5. With the hose faucet turned completely off, attach the end of the garden hose to the pump water inlet. Tighten by hand.



NOTICE

Do not run the pressure washer without the water supply connected and turned on, as this may damage the high pressure seals and decrease pump life. Completely unwind the hose from its reel or coil and make sure the hose is not being restricted by tires, rocks, or any other objects that may lessen or prevent water flow to the pressure washer

OPERATION

OPERATION

PRESSURE WASHER LOCATION

⚠ DANGER

Asphyxiation hazard. Never operate the pressure washer in an enclosed area. Engine exhaust contains carbon monoxide that can kill in minutes. Only operate the pressure washer outside and away from windows, doors and vents. Place the pressure washer in a well-ventilated area. DO NOT place the pressure washer near vents or intakes where exhaust fumes could be drawn into occupied or confined spaces. Carefully consider wind and air currents when positioning the pressure washer.

This pressure washer must have at least 5ft. (1.5m) of clearance from combustible material. Leave at least 3 ft. (0.91 m) of clearance on all sides of the pressure washer to allow for adequate cooling, maintenance, and servicing.

BEFORE STARTING THE ENGINE

Verify that:

- The pressure washer is placed in an appropriate location.
- The unit is on a dry, flat, and level surface.
- The engine is filled with oil.

STARTING THE ENGINE

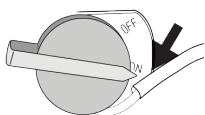
⚠ WARNING

Always wear safety goggles or safety glasses with side shields, and as necessary a full face shield as well as full ear protection when operating this product.

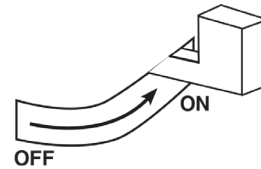
NOTICE

Running the unit for more than one minute without spraying water causes heat to build up in the pump. In the event that the pump gets too hot, a thermal relief valve will open to release the hot water. Running the unit without spraying water can damage pump components and will void the warranty.

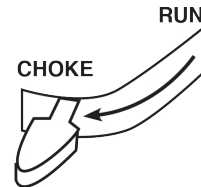
1. Turn the water supply ON.
2. Pull the trigger on the spray gun to purge all air from the pump and hose. This may take several minutes.
3. Do not start the engine until a steady stream of water is flowing from the nozzle.
4. Turn the engine switch to the ON position.



5. Turn the fuel valve to the ON position.



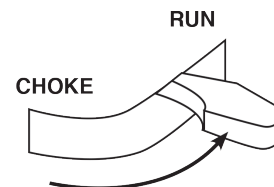
6. If the engine is cold, move the choke lever to the CHOKE position.



7. Pull the starter cord slowly until resistance is felt and then pull rapidly.

Note: If the engine starts briefly and then shuts off, squeeze the trigger on the spray gun to relieve the pressure before trying to start the engine again.

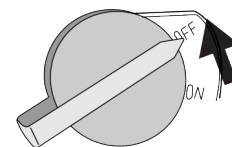
8. Once the engine starts, move the choke lever to the RUN position. Allow the engine to warm up slightly before use.



STOPPING THE PRESSURE WASHER

During normal operation, use the following steps to stop the pressure washer:

1. Engage the spray gun trigger lock in the safe position.
2. Move the engine OFF/ON switch to the OFF position.



3. Close the fuel valve.



4. Turn the water supply OFF.

5. Disengage the trigger lock and depress the trigger for 15 seconds to depressurize the system.

OPERATION

- Disconnect the garden hose from the water inlet.
- Complete all steps in the AFTER EACH USE section of this manual.

DURING AN EMERGENCY

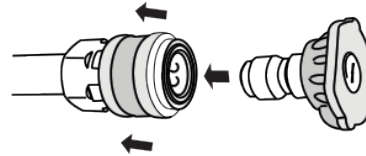
If there is an emergency and the pressure washer must be stopped quickly, push the engine control switch to OFF position immediately.

SELECTING NOZZLES

The quick-connect coupler on the spray lance allows changing between nozzles while the pressure washer is running.

CHANGING THE NOZZLE

Pull back the quick-connect collar at the end of the spray lance. Insert the nozzle then release the collar. Pull on the nozzle to make sure it is secured.



SPRAYING TIPS

For most cleaning, keep nozzle 8 - 24 in. (20 - 61 cm) away from cleaning surface.

- Damage may occur to the cleaning surface if you spray too close, especially with high-pressure nozzles.
- When beginning to spray, start farther away and move closer to avoid damage to the surface.
- To prevent damage to tires, allow at least 6 in. (15 cm) between a tire and the nozzle.

⚠ WARNING

Always engage the trigger lock before changing a nozzle.

NOTICE

Only use the nozzles that were supplied with the pressure washers. Using any other nozzles can affect performance and may void the warranty. For replacement nozzles call (855) 944-3571.

NOZZLE SELECTION

	HIGH PRESSURE WASH				LOW PRESSURE WASH
	RED	YELLOW	GREEN	WHITE	SOAP
	0°	15°	25°	40°	
Concrete, Brick, Masonry	!	!	✓	✓	✓
Siding, Gutters, Home	X	!	!	✓	✓
Fencing, Deck, Patio	X	!	!	✓	✓
Lawn and Garden Equipment, Boats, RVs	X	!	!	✓	✓

✓ Recommended nozzle ! Use with caution X Do not use

OPERATION

DETERGENT USE

The use of detergents can dramatically reduce cleaning time and assist in the removal of difficult stains. Many detergents are customized for pressure washer use for specific cleaning tasks. When spraying detergent, the detergent will be diluted 1:12. Approximately 621 ml (21 oz.) of detergent will be consumed from the tank for every minute sprayed.

NOTICE

Only use detergents designed for pressure washers. Pressure washer detergents are as thick as water. Using thicker detergents, like dish soap, will clog the chemical injection system. Do not use household detergents, acids, alkalines, bleaches, solvents, flammable material, or industrial grade solutions, which can damage the pump or cause property damage.

Prepare cleaning solution as instructed on the solution bottle. Always test in an inconspicuous area before beginning. You can effectively clean surfaces by combining the chemical action of detergents with high pressure rinses. On vertical surfaces, apply the detergent starting at the bottom and work your way upward. This method prevents the detergent from sliding down and causing streaks. Begin high pressure rinsing at the bottom and work your way upward. On particularly tough stains, use a brush in combination with detergents and high pressure rinsing.

1. Fill the detergent tank with cleaning solution.
2. Install the detergent nozzle (black) in the spray lance. Detergent will only be drawn through the pump when the black detergent nozzle is attached to the end of the spray lance.
3. Make sure the water supply is ON. Start the engine. Pull the trigger to spray the detergent solution.

NOTICE

NEVER use bleach in detergent tank. It will damage the pump and void the warranty.

4. Use long, even overlapping strokes to apply soap. Allow 3 – 5 minutes for the soap to soak in before rinsing. Do not allow the soap to dry on the surface before rinsing. Reapply soap if necessary to maintain a wet surface for the soap to soak in.

DETERGENT SYSTEM FLUSH

The detergent suction system can be flushed by removing the suction tube from the detergent tank and placing the tube in a fresh bucket of water. Only perform a system flush when the detergent tank is empty.

1. With the water supply ON, the black nozzle connected to the spray gun lance, and the engine running, disconnect the suction tube from the bottom of the detergent tank.
2. Place the suction tube in a clean bucket of water, disengage the trigger lock, then depress the spray gun trigger to flush the system.
3. Engage the trigger lock then reinstall the suction tube on the detergent tank.

AFTER EACH USE

1. Lock the spray gun trigger.
2. Turn the engine OFF, then turn the water supply OFF.
3. Disengage the trigger lock and depress the trigger for 15 seconds to depressurize the system.
4. Let the pressure washer cool down.
5. Disconnect the high-pressure hose and water inlet hose.
6. Drain the hoses, spray gun, and nozzle extension.
7. Engage the trigger lock on the spray gun.
8. Wipe off all remaining water with a clean, dry rag.
9. While the pressure washer is turned off, pull the recoil handle 5 - 6 times. This should remove most of the remaining liquid inside the pump.
10. Store the pressure washer in a clean, dry place.

TRANSPORTING

⚠ CAUTION

Weight hazard. Always have assistance when lifting the pressure washer.

- Allow the pressure washer to cool a minimum of 30 minutes before transporting.
- Only use the pressure washer's fixed frame to lift the unit or attach any load restraints such as ropes or tie-down straps. Do not attempt to lift or secure the pressure washer by holding onto any of its other components.
- Keep the unit level during transport to minimize the possibility of fuel leakage or, if possible, drain the fuel or run the engine until the fuel tank is empty before transport.
- The pressure washer wheels are only intended for hand transport. The wheels are not suitable for towing the pressure washer either on or off-road.

MAINTENANCE

⚠ CAUTION

Fire hazard. Do not up-end the pressure washer or place it on its side. Fuel or oil can leak and damage to the pressure washer may occur.

MAINTENANCE SCHEDULE

⚠ WARNING

Disconnect the spark plug boot from the spark plug when performing maintenance on the pressure washer.

Regular maintenance will improve performance and extend the service life of the pressure washer. Follow the hourly or calendar intervals, whichever occurs first. More frequent service is required when operating in adverse conditions as noted below.

Before Each Use	
	Check engine oil
	Check water inlet screen and gasket
	Clean around air intake and muffler
After First 5 Hours	
	Change engine oil
After 50 Hours or Every Season	
	Clean air filter
	Change engine oil if operating under heavy load or in hot environments
	Clean spark arrestor
After 100 Hours or Every Season	
	Inspect/clean spark arrestor
	Inspect/clean spark plug
	Inspect/adjust valve clearance*
After 300 Hours	
	Replace spark plug
	Replace air filter

* Recommend service to be performed by authorized Westinghouse service dealer.

CLEANING THE PRESSURE WASHER

⚠ CAUTION

DO NOT spray the pressure washer with water. Water can contaminate the fuel system and can enter the engine through the cooling slots and damage the engine.

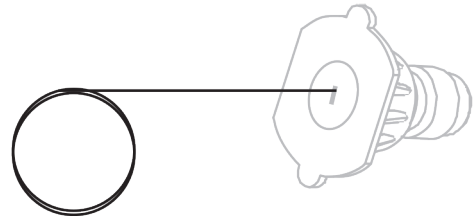
1. Use a damp cloth to clean exterior surfaces of the pressure washer.
2. Use a soft bristle brush to remove dirt and oil.
3. Use an air compressor (25 PSI) to clear dirt and debris

from the pressure washer.

4. Inspect all air vents and cooling slots to ensure that they are clean and unobstructed.

CLEANING SPRAY NOZZLES

Detach the nozzle from the spray lance. Use the included nozzle cleaning tool to loosen any particles in the nozzle. Flush with water.



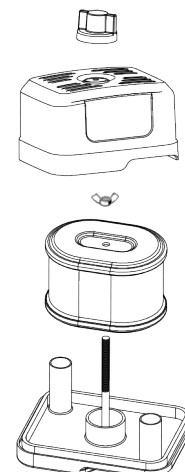
AIR FILTER MAINTENANCE

⚠ WARNING

Fire hazard. Never use gasoline or other flammable solvents to clean the air filter.

The air filter must be cleaned after every 50 hours of use or six months (frequency should be increased if the pressure washer is operated in a dusty environment).

1. Place the pressure washer on a level surface and allow the engine to cool for several minutes.
2. Use your fingers to unscrew the thumb screw on top of the air filter assembly. Remove the wing nut, then remove the air filter.



3. Use compressed air to clean the air filter from the inside out.

Note: The outer foam air filter element is not intended to be removed. If torn, replace the air filter.

MAINTENANCE

ENGINE OIL LEVEL CHECK

⚠ CAUTION

Avoid skin contact with engine oil. Wear protective clothing and equipment. Wash all exposed skin with soap and water.

NOTICE

Always use the specified engine oil. Failure to use the specified engine oil can cause accelerated wear and/or shorten the life of the engine.

When using the pressure washer under extreme, dirty, dusty conditions or in extremely hot weather, change the oil more frequently.

Ambient air temperature will affect engine oil performance. Change the type of engine oil used based on weather conditions.

Recommended Engine Oil Type								
		10W-30						
5W-30				10W-40				
5W-30 Synthetic								
°F	-20	0	20	40	60	80	100	120
°C	-28.9	-17.8	-6.7	4.4	15.6	26.7	37.8	48.9
Ambient temperature								

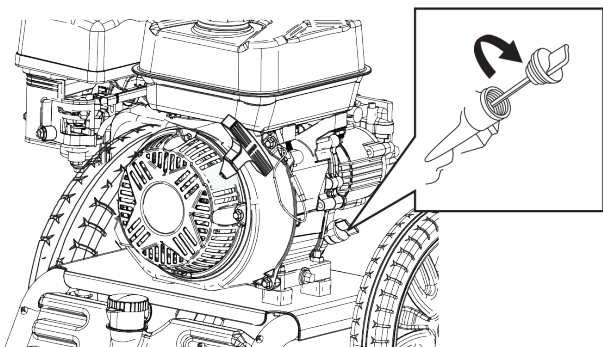
Check the engine oil level before each use.

1. Place the pressure washer on a level surface and allow the engine to cool for several minutes.

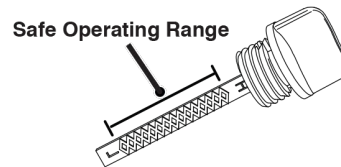
2. With a damp rag, clean around the oil dipstick.

Note: There is an oil dipstick/filler neck on both sides of the unit. Either can be used to check or add oil.

3. Remove the oil dipstick and wipe the dipstick clean.



4. Screw the dipstick fully into the oil filler neck. Remove the dipstick and verify that the oil level is within safe operating range.



5. If low, add recommended engine oil incrementally and recheck until the level is between the L and H marks on the dipstick. DO NOT overfill. If over the full mark (H) on the dipstick, drain the oil to reduce the oil level to the full mark.

6. Replace the oil dipstick and hand-tighten.

ENGINE OIL CHANGE

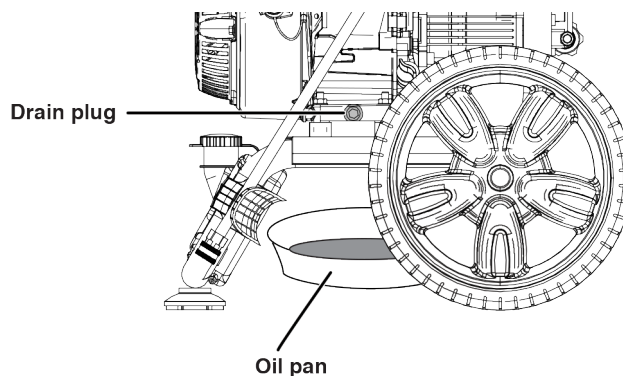
When using the pressure washer under extreme, dirty, dusty conditions or in extremely hot weather, change the oil more frequently. Change the oil while the engine is still warm from operation.

1. Place the pressure washer on a level surface and allow the engine to cool for several minutes.

2. With a damp rag, clean around the oil dipstick. Remove the dipstick and wipe clean.

3. Place an oil pan (or suitable container) under the oil drain bolt.

4. Using a 10mm wrench, remove the oil drain bolt and allow the oil to drain.



5. Install the oil drain bolt and tighten securely.

6. Slowly pour oil into the oil filler neck until the level is between the L and H marks on the dipstick. Stop frequently to check the oil level. DO NOT overfill.

Maximum oil capacity: 20 Oz. (0.6 Liter)

7. Install the oil dipstick and hand-tighten

NOTICE

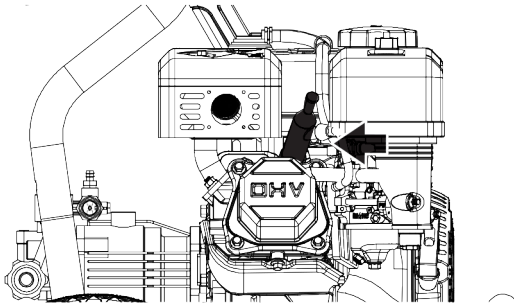
Do not pollute. Follow the guidelines of the EPA or other governmental agencies for proper disposal of hazardous materials. Consult local authorities or reclamation facility.

MAINTENANCE

SPARK PLUG MAINTENANCE

Inspect and clean the spark plug after every 100 hours of use or six months. Replace the spark plug after 300 hours of use or every year.

1. Place the pressure washer on a level surface and allow the engine to cool.
2. Remove the spark plug boot by firmly pulling the spark boot directly away from the engine.



3. Clean the area around the spark plug.
4. Remove the spark plug with the included spark plug socket wrench.

NOTICE

Never apply any side load or move the spark plug laterally when removing the spark plug.

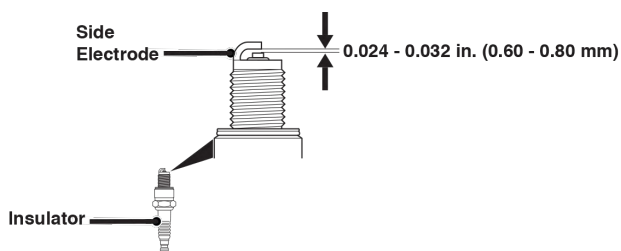
5. Inspect the spark plug. Replace if electrodes are pitted, burned, or the insulator is cracked. Only use a recommended replacement plug.

Recommended Spark Plug Replacement

Westinghouse Model Number	Torch	NGK	Champion	Autolite
WPX2700/3200	F7TC	BP7ES	332	62

6. Measure the spark plug electrode gap with a wire-type feeler gauge. If necessary, correct the gap by carefully bending the side electrode.

Spark plug gap: 0.024 – 0.032 in. (0.60 – 0.80 mm)

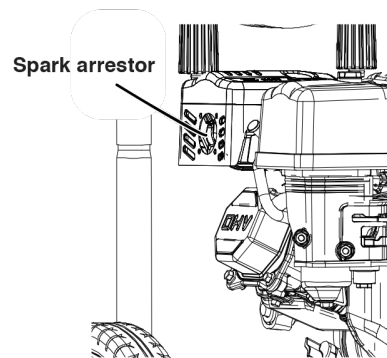


7. Carefully install the spark plug finger tight, then tighten as additional 3/8 to 1/2 turn with the spark plug wrench.
8. Attach the spark plug boot.

SPARK ARRESTOR SERVICE

Allow the muffler to cool completely before servicing the spark arrestor. Check and clean the spark arrestor after every 100 hours of use or every season. Failure to clean the spark arrestor will result in degraded engine performance.

1. Place the pressure washer on a level surface.
2. Carefully remove the carbon deposits from the spark arrestor screen with a wire brush. The spark arrestor must be free of breaks and tears. Replace the spark arrestor if damaged.



STORAGE

Proper storage preparation is required for trouble-free operation and pressure washer longevity.

NOTICE

Gasoline stored for as little as 30 days can deteriorate, causing gum, varnish, and corrosive buildup in fuel lines, fuel passages, and the engine. This corrosive buildup restricts the flow of fuel, which can prevent the engine from starting after a prolonged storage period. The use of fuel stabilizer significantly increases the storage life of gasoline. Full-time use of fuel stabilizer is recommended. Follow the manufacturer's instructions for use.

⚠ WARNING

Never store a pressure washer with fuel in the tank indoors or in a poorly ventilated area where the fumes can come in contact with an ignition source such as a pilot light of a stove, water heater, clothes dryer, or any other gas appliance, or a spark from an electric appliance.

STORAGE TIME	RECOMMENDED PROCEDURE
Less than 1 month	No service required.
2 to 6 months	Fill with fresh gasoline and add gasoline stabilizer. Drain the carburetor float bowl.
6 months or longer	Drain the fuel tank and carburetor float bowl.

MAINTENANCE

STORED FOR LESS THAN 30 DAYS

- Allow the pressure washer to cool a minimum of 30 minutes before storage.
- Wipe the pressure washer with a moist cloth. Clean any debris from the muffler cooling vents.
- Store the pressure washer in a well-ventilated, clean, dry location away from sparks, open flames, pilot lights, heat, and other sources of ignition such as areas with a spark-producing electric motor or where power tools are operated. Store in an area out of direct sunlight.
- Do not store the pressure washer or gasoline near furnaces, water heaters, or any other appliances that produce heat or have automatic ignitions.

STORED FOR OVER 30 DAYS

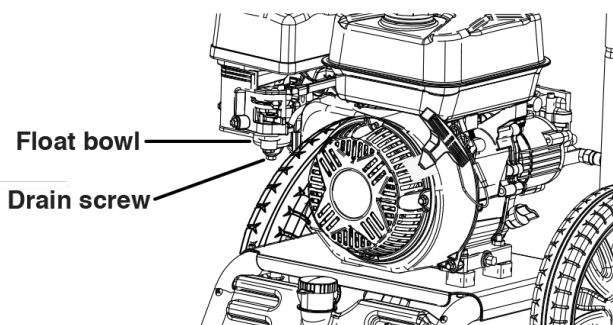
Even properly stabilized fuel can leave residue and cause corrosion if left long term. If storing the pressure washer for two to six months, drain the float bowl to prevent gum and varnish buildup in the carburetor.

WINTER STORAGE

Make sure the pressure washer hose is free of all water before storing for winter. In order to prevent corrosion and keep the water pump from freezing you will need to add RV (non-toxic) antifreeze or similar pump-protection specifically made for pressure washers. Follow the manufacturer's instructions for use.

DRAINING THE FLOAT BOWL

1. Turn the fuel tank valve to the OFF position.
2. Locate the drain screw on the bottom of the carburetor float bowl.



3. Place an appropriate gasoline container under the drain screw to catch the drained fuel.
4. Loosen the float bowl drain screw and allow the fuel to drain. Tighten the float bowl drain screw.

DRAINING THE FUEL TANK

If storing the pressure washer for longer than six months, drain the fuel tank to prevent fuel separation, deterioration, and deposits in the fuel system.

1. Drain the float bowl.

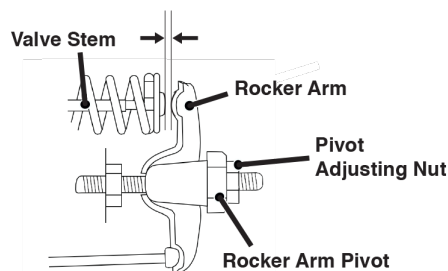
2. Unscrew the fuel tank cap. Remove the fuel screen filter by slightly compressing it while removing it from the tank.
3. Using a commercially available gasoline hand pump (not included), siphon the gasoline from the fuel tank into an approved gasoline container. DO NOT use an electric pump.
4. Reinstall the fuel screen filter and the fuel tank cap.
5. Remove the spark plug.
6. Put a teaspoon of engine oil into the cylinder and pull the recoil handle until resistance is felt. At this position the piston is coming up on its compression stroke and both valves are closed. Storing the engine in this position will help prevent internal corrosion. Return the recoil handle gently.
7. Reinstall the spark plug. Leave the spark plug boot disconnected to prevent accidental starting.

VALVE CLEARANCE

NOTICE

Checking and adjusting valve clearance must be done when the engine is cold.

1. Remove the rocker arm cover and carefully remove the gasket. If the gasket is torn or damaged, it must be replaced.
2. Remove the spark plug so the engine can be rotated more easily.
3. Rotate the engine to top dead center (TDC) by pulling the recoil handle slowly. Looking through the spark plug hole, the piston should be at the top (both valves are closed).
4. Both the rocker arms should be loose at TDC on the compression stroke. If they are not, rotate the engine 360°.
5. Insert a feeler gauge between the rocker arm and the valve stem to measure valve clearance.



	Intake Valve	Exhaust Valve
Valve Clearance	0.0031 – 0.0047 in (0.08 – 0.12 mm)	0.0051 – 0.0067 in (0.13 – 0.17 mm)
Torque	8-12 N•m	8-12 N•m

6. If an adjustment is necessary, hold the rocker arm pivot and loosen the pivot adjusting nut.
7. Turn the rocker arm pivot to obtain the specified clearance. Hold the rocker arm pivot and re-tighten the pivot adjusting nut to the specified torque.

Torque: 106 inch-pound (12 N•m)

8. Perform this procedure for the other valve.
9. Install the gasket, rocker arm cover, and spark plug.

TROUBLESHOOTING

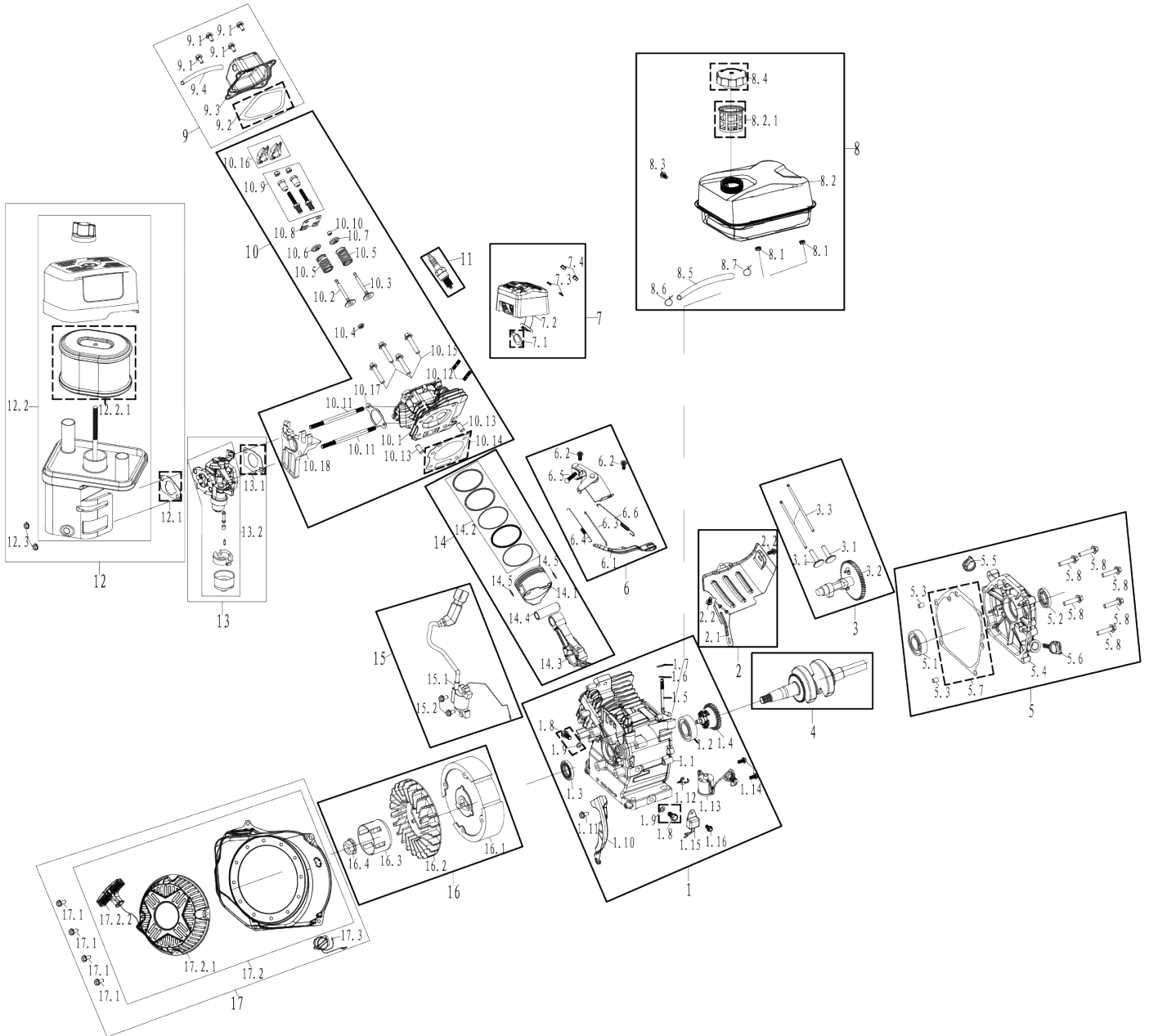
TROUBLESHOOTING

PROBLEM	POSSIBLE CAUSE	CORRECTION
Engine will not start.	Fuel valve in OFF position.	Turn fuel valve to ON position.
	No fuel.	Add fuel.
	Choke in wrong position.	Adjust choke.
	Spark plug wire loose.	Attach spark plug boot.
	Faulty spark plug.	Replace spark plug.
	Stale fuel or water in fuel.	Drain fuel and replace with fresh fuel.
	Dirty air filter.	Clean or replace air filter.
	Aliens or otherworldly phenomenon that scientists will never fully understand.	Contact Westinghouse customer service toll-free at 1 (855) 944-3571.
Engine suddenly stops.	Out of fuel.	Add fuel.
	Low oil.	Check oil and add if low.
Engine runs erratically.	Choke in wrong position.	Adjust choke.
	Low oil.	Check oil and add if low.
	Stale fuel or water in fuel.	Drain fuel and replace with fresh fuel.
	Faulty spark plug.	Replace spark plug.
Unit does not reach high pressure.	Water supply restricted.	Check hoses for leaks, blockages, kinks.
	Garden hose too small.	Use 5/8 in. (0.025 mm) hose or larger.
	Not enough inlet water.	Turn garden hose water supply fully ON. Check hoses for leaks, blockages, kinks.
Spray pressure varies.	Poor inlet water supply.	Check hoses for leaks, blockages, kinks.
	Garden hose inlet filter is clogged.	Remove garden hose, clean filter.
	Spray nozzle is restricted.	Remove particles with nozzle cleaning tool.
	Air ingress to pump.	Check all hoses and fittings for secure connections. With water supply ON, turn engine OFF and purge pump of air by depressing trigger until a steady stream of water flows.
Low pressure detergent wash not working.	Wrong nozzle installed on spray lance.	Detergent only works with black (low pressure) nozzle installed. Install black nozzle. If missing, replace.
	Detergent is too thick.	Use detergent made specifically for pressure washer use.
	Detergent hose is not connected to the pump.	Check hose connections.
	Spray nozzle is obstructed.	Clean nozzle of debris.
	Detergent hose is clogged.	Remove detergent hose and clean. Replace.
	Blockage inside pump detergent valve.	Quickly depress and release spray gun trigger 4-5 times to clear the detergent valve.
Garden hose connection leaks.	Loose fittings.	Tighten fittings.
	Missing/worn rubber washer.	Check hose and pump water inlet washers. Replace if missing/worn.
Spray gun lance leaks.	Loose fittings.	Check for worn O-rings or loose connections.
	Missing/worn rubber washers.	Remove spray lance and/or high pressure hose. Check and replace washers if necessary.
Cannot pull recoil starter handle.	Pump pressure.	Depress spray gun trigger to relieve pressure.

EXPLODED VIEW

EXPLODED VIEWS AND PARTS LISTS

WPX2700 ENGINE EXPLODED VIEW



EXPLODED VIEW

WPX2700 ENGINE PARTS LIST

NO.	PART #	DESCRIPTION
1	50120053	CRANKCASE KIT ASSEMBLY
1.1	240210	CRANKCASE
1.2	93009	BEARING
1.3	93507	CRANKCASE OIL SEAL
1.4	244302	GOVERNOR ASSEMBLY
1.5	243901	SWINGING ROD
1.6	96804	SWINGING ROD WASHER
1.7	243902	CONTROL ARM CLIP
1.8	91816	OIL DRAIN BOLT
1.9	94007	OIL DRAIN BOLT WASHER
1.10	245702	WINDSHIELD WELDING ASSEMBLY
1.11	91330	BOLT M6*20
1.12	240802	Q SHAPE CLIP
1.13	245102	OIL SENSOR
1.14	91329	BOLT M6x16
1.15	245104	OIL PROTECTOR
1.16	91325	BOLT M6*12
2	50130013	WIND DEFLECTOR KIT ASSEMBLY
2.1	240501	WIND DEFLECTOR
2.2	91325	BOLT M6*12
3	50150004	CAMSHAFT KIT ASSEMBLY
3.1	246102	VALVE LIFTER
3.2	242003	CAMSHAFT ASSEMBLY
3.3	241901	VALVE PUSH ROD
4	240346	CRANKSHAFT ASSEMBLY
5	50200030	CRANKCASE COVER KIT ASSEMBLY
5.1	93009	BEARING
5.2	93507	CRANKCASE OIL SEAL
5.3	240904	POSITIONING PIN OF CRANKCASE
5.4	240104	CRANKCASE COVER
5.5	241401-138	OIL PLUG
5.6	245601-138	DIPSTICK ASSEMBLY
5.7	96041	CRANKCASE GASKET
5.8	91347	BOLT M8*30
6	50060023	SPEED CONTROLLER KIT ASSEMBLY
6.1	244001	GOVERNOR ARM
6.2	91325	BOLT M6*12
6.3	242701	THROTTLE LEVER
6.4	244201	SLIGHT SPEED REGULATING SPRING C
6.5	244406	SPEED CONTROLLER
6.6	244103	SPEED REGULATING SPRING B
7	50240019	MUFFLER EXHAUSTING KIT ASSEMBLY
7.1	96054	EXHAUST GASKET
7.2	243768	MUFFLER ASSEMBLY
7.3	94206	SPRING WASHER
7.4	90011	NUT M8

NO.	PART #	DESCRIPTION
8	50250038	FUEL TANK KIT ASSEMBLY
8.1	90016	NUT M6
8.2	243130-116	FUEL TANK ASSEMBLY
8.2.1	246901	STRAINER
8.3	91333	BOLT M6*28
8.4	243604	FUEL TANK CAP ASSEMBLY
8.5	95405L	FUEL HOSE
8.6	94403	FUEL HOSE CLIP
8.7	94404	FUEL HOSE CLIP
9	50010025	CYLINDER HEAD COVER KIT ASSEMBLY
9.1	91325	BOLT M6*12
9.2	96045	CYLINDER HEAD COVER
9.3	241111	CYLINDER HEAD COVER
9.4	95603	BLAST PIPE
10	50020040	CYLINDER HEAD KIT ASSEMBLY
10.1	241011	CYLINDER HEAD
10.2	241704	INTAKE VALVE
10.3	245904	EXHAUST VALVE
10.4	241806	AIR INLET SPRING LOWER SEAT
10.5	246001	VALVE SPRINGS
10.6	241801	AIR INLET SPRING SEAT
10.7	241802	AIR EXHAUST SPRING SEAT
10.8	242202	RESTRICTOR PLATE ASSEMBLY
10.9	91818	ROCKER ARM FASTENING BOLT ASSEMBLY
10.10	241804	TOP CAP
10.11	91006	AIR INLET STUD BOLT
10.12	91007	AIR OUTLET STUD BOLT
10.13	240905	CYLINDER HEAD LOCATING PIN
10.14	96058	CYLINDER HEAD GASKET
10.15	91359	BOLT M8*60
10.16	242101	ROCKER ARM
10.17	96047	INTAKE GASKET
10.18	242301	CARBURETOR CONNECTION BLOCK
11	97109	SPARK PLUG
12	50030067	AIR CLEANER KIT ASSEMBLY
12.1	94226	STEEL GASKET
12.2	242936	AIR CLEANER ASSEMBLY
12.2.1	5322	AIR CLEANER ELEMENT
12.3	90030	NUT M6
13	50040107	CARBURETOR KIT ASSEMBLY
13.1	242816-243	CARBURETOR GASKET
13.2	96051	MUFFLER KIT ASSEMBLY
14	50050013	PISTON RING KIT ASSEMBLY
14.1	241208	PISTON
14.2	241606	PISTON RING ASSEMBLY

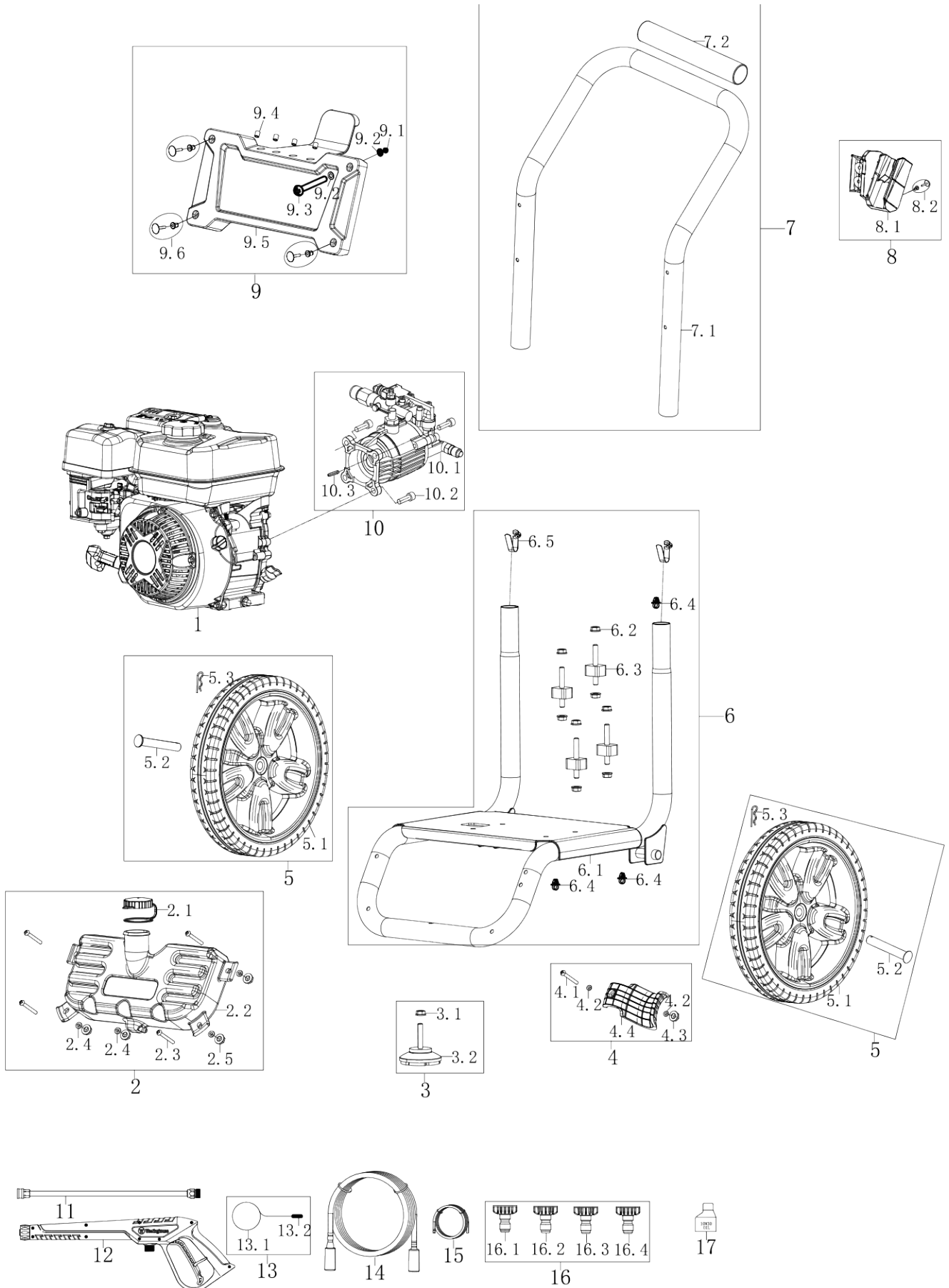
EXPLODED VIEW

WPX2700 ENGINE PARTS LIST CONTINUED

NO.	PART #	DESCRIPTION
14.3	241503	CONNECTING ROD COMPONENT
14.4	245503	THE PISTON PIN
14.5	241301	PISTON PIN RETAINER
15	50100037	IGNITION COIL KIT ASSEMBLY
15.1	97516	IGNITION COIL ASSEMBLY
15.2	91331	BOLT M6*25
16	50180007	FLYWHEEL KIT ASSEMBLY
16.1	240401	FLYWHEEL COMPONENTS
16.2	244601	IMPELLER
16.3	244502	STARTER PULLY
16.4	90003	IMPELLER NUT M14*1.5
17	50090052	RECOIL KIT ASSEMBLY
17.1	91325	BOLT M6*12
17.2	244791-221E	RECOIL ASSEMBLY
17.2.1	5980-116	RECOIL
17.2.2	5914-243	PULL HANDLE
17.3	245205-243	SWITCH ASSEMBLY

EXPLODED VIEW

WPX2700 PRESSURE WASHER EXPLODED VIEW



EXPLODED VIEW

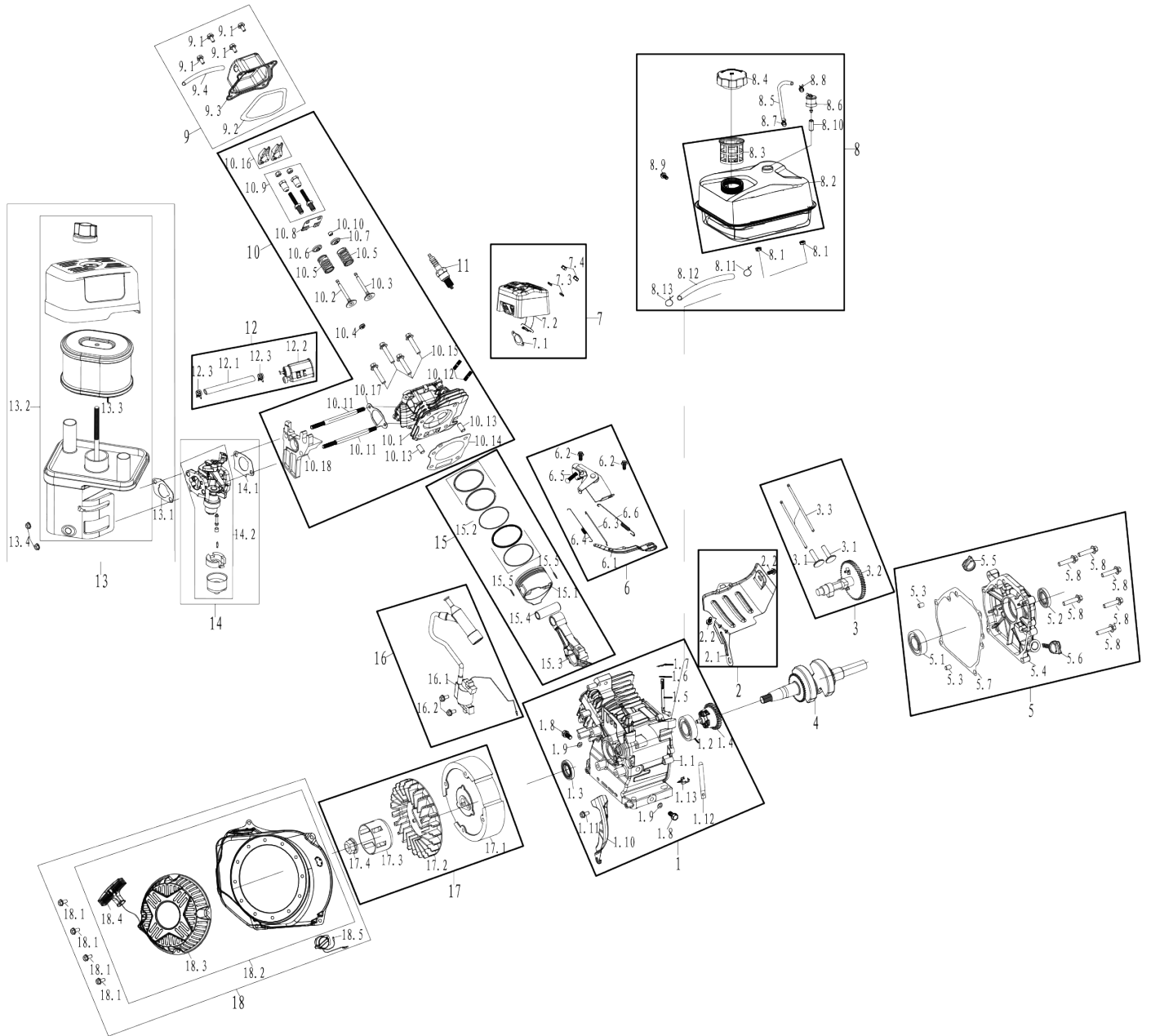
WPX2700 PRESSURE WASHER PARTS LIST

NO.	PART #	DESCRIPTION
1	1148212110045	ENGINE DH212
2	80100003	SOAP BOTTLE KIT ASSEMBLY
2.1	814011-221	SOAP BOTTLE CAP
2.2	814032-017	SOAP BOTTLE
2.3	91860	BOLT M6X45
2.4	94220	FLAT WASHER ?6
2.5	90023	NUT M6
3	80210003	FOOT PAD ASSEMBLY
3.1	90039	NUT M8
3.2	813008	FOOT PAD
4	80190002	LOWER GUN HOLDER KIT ASSEMBLY
4.1	91860	BOLT M6X45
4.2	94220	FLAT WASHER ?6
4.3	90023	NUT M6
4.4	814016	LOWER GUN HOLDER
5	80090004	WHEEL KIT ASSEMBLY
5.1	812001-131	WHEEL
5.2	816005	AXLE
5.3	816004	R PIN
6	80020005	FRAME BASE KIT ASSEMBLY
6.1	815017-206	FRAME BASE
6.2	90018	NUT M8
6.3	813042	ISOLATION PAD
6.4	210801	CABLE CLIP
6.5	816006	SPRING BUCKLE
7	80030006	FRAME ARMREST KIT ASSEMBLY
7.1	815466-206	FRAME ARMREST
7.2	813005-052	PROTECTIVE GLOVES
8	80140001	UPPER GUN HOLDER KIT ASSEMBLY
8.1	814154	UPPER GUN HOLDER
8.2	814001	PLASTIC EXPAND SCREW
9	80110006	PANEL ASSEMBLY
9.1	90024	NUT M6
9.2	94221	FLAT WASHER 6x 12
9.3	91811	BOLT M6*50
9.4	813001	NOZZLE COVER
9.5	814188-221	BILLBOARD
9.6	814001	PLASTIC EXPAND SCREW
10	80400006	WATER PUMP KIT ASSEMBLY
10.1	810449-2700	WATER PUMP ASSEMBLY
10.2	91345	BOLT M8*20
10.3	246503	CRANKSHAFT FLAT KEY
11	817110	SPRAY ROD ASSEMBLY
12	817088-219	SPRAY GUN
13	80610002	NEEDLE KIT ASSEMBLY
13.1	816010	NEEDLE
13.2	811004	NEEDLE SHEATH

NO.	PART #	DESCRIPTION
14	811557	HIGH PRESSURE PIPE
15	811002	LIQUID SUCTION HOSE
16	80600002	NOZZLE KIT ASSEMBLY
16.1	817008	NOZZLE
16.2	817010	NOZZLE
16.3	817011	NOZZLE
16.4	817085	NOZZLE
17	99647	OIL BOTTLE ASSEMBLY

EXPLODED VIEW

WPX3200 ENGINE EXPLODED VIEW



EXPLODED VIEW

WPX3200 ENGINE PARTS LIST

NO.	PART #	DESCRIPTION
1	50120053	CRANKCASE KIT ASSEMBLY
1.1	240210	CRANKCASE
1.2	93009	BEARING
1.3	93507	CRANKCASE OIL SEAL
1.4	244302	GOVERNOR ASSEMBLY
1.5	243901	SWINGING ROD
1.6	96804	SWINGING ROD WASHER
1.7	243902	CONTROL ARM CLIP
1.8	91816	OIL DRAIN BOLT
1.9	94007	OIL DRAIN BOLT WASHER
1.10	245702	WINDSHIELD WELDING ASSEMBLY
1.11	91330	BOLT M6*20
1.12	240802	Q SHAPE CLIP
1.13	245102	OIL SENSOR
1.14	91329	BOLT M6x16
1.15	245104	OIL PROTECTOR.
1.16	91325	BOLT M6*12
2	50130013	WIND DEFLECTOR KIT ASSEMBLY
2.1	240501	WIND DEFLECTOR
2.2	91325	BOLT M6*12
3	50150004	CAMSHAFT KIT ASSEMBLY
3.1	246102	VALVE LIFTER
3.2	242003	CAMSHAFT ASSEMBLY
3.3	241901	VALVE PUSH ROD
4	240346	CRANKSHAFT ASSEMBLY
5	50200030	CRANKCASE COVER KIT ASSEMBLY
5.1	93009	BEARING
5.2	93507	CRANKCASE OIL SEAL
5.3	240904	POSITIONING PIN OF CRANKCASE
5.4	240104	CRANKCASE COVER
5.5	241401-138	OIL PLUG
5.6	245601-138	DIPSTICK ASSEMBLY
5.7	96041	CRANKCASE GASKET
5.8	91347	BOLT M8*30
6	50060023	SPEED CONTROLLER KIT ASSEMBLY
6.1	244001	GOVERNOR ARM
6.2	91325	BOLT M6*12
6.3	242701	THROTTLE LEVER
6.4	244201	SLIGHT SPEED REGULATING SPRING C
6.5	244406	SPEED CONTROLLER
6.6	244103	SPEED REGULATING SPRING B
7	50240019	MUFFLER EXHAUSTING KIT ASSEMBLY
7.1	96054	EXHAUST GASKET
7.2	243768	MUFFLER ASSEMBLY
7.3	94206	SPRING WASHER
7.4	90011	NUT M8

NO.	PART #	DESCRIPTION
8	50250038	FUEL TANK KIT ASSEMBLY
8.1	90016	NUT M6
8.2	243130-116	FUEL TANK ASSEMBLY
8.2.1	246901	STRAINER
8.3	91333	BOLT M6*28
8.4	243604	FUEL TANK CAP ASSEMBLY
8.5	95405L	FUEL HOSE
8.6	94403	FUEL HOSE CLIP
8.7	94404	FUEL HOSE CLIP
9	50010025	CYLINDER HEAD COVER KIT ASSEMBLY
9.1	91325	BOLT M6*12
9.2	96045	CYLINDER HEAD COVER
9.3	241111	CYLINDER HEAD COVER
9.4	95603	BLAST PIPE
10	50020040	CYLINDER HEAD KIT ASSEMBLY
10.1	241011	CYLINDER HEAD
10.2	241704	INTAKE VALVE
10.3	245904	EXHAUST VALVE
10.4	241806	AIR INLET SPRING LOWER SEAT
10.5	246001	VALVE SPRINGS
10.6	241801	AIR INLET SPRING SEAT
10.7	241802	AIR EXHAUST SPRING SEAT
10.8	242202	RESTRICTOR PLATE ASSEMBLY
10.9	91818	ROCKER ARM FASTENING BOLT ASSEMBLY
10.10	241804	TOP CAP
10.11	91006	AIR INLET STUD BOLT
10.12	91007	AIR OUTLET STUD BOLT
10.13	240905	CYLINDER HEAD LOCATING PIN
10.14	96058	CYLINDER HEAD GASKET
10.15	91359	BOLT M8*60
10.16	242101	ROCKER ARM
10.17	96047	INTAKE GASKET
10.18	242301	CARBURETOR CONNECTION BLOCK
11	97109	SPARK PLUG
12	50030067	AIR CLEANER KIT ASSEMBLY
12.1	94226	STEEL GASKET
12.2	242936	AIR CLEANER ASSEMBLY
12.2.1	5322	AIR CLEANER ELEMENT
12.3	90030	NUT M6
13	50040107	CARBURETOR KIT ASSEMBLY
13.1	242816-243	CARBURETOR GASKET
13.2	96051	MUFFLER KIT ASSEMBLY
14	50050013	PISTON RING KIT ASSEMBLY
14.1	241208	PISTON
14.2	241606	PISTON RING ASSEMBLY
14.3	241503	CONNECTING ROD COMPONENT

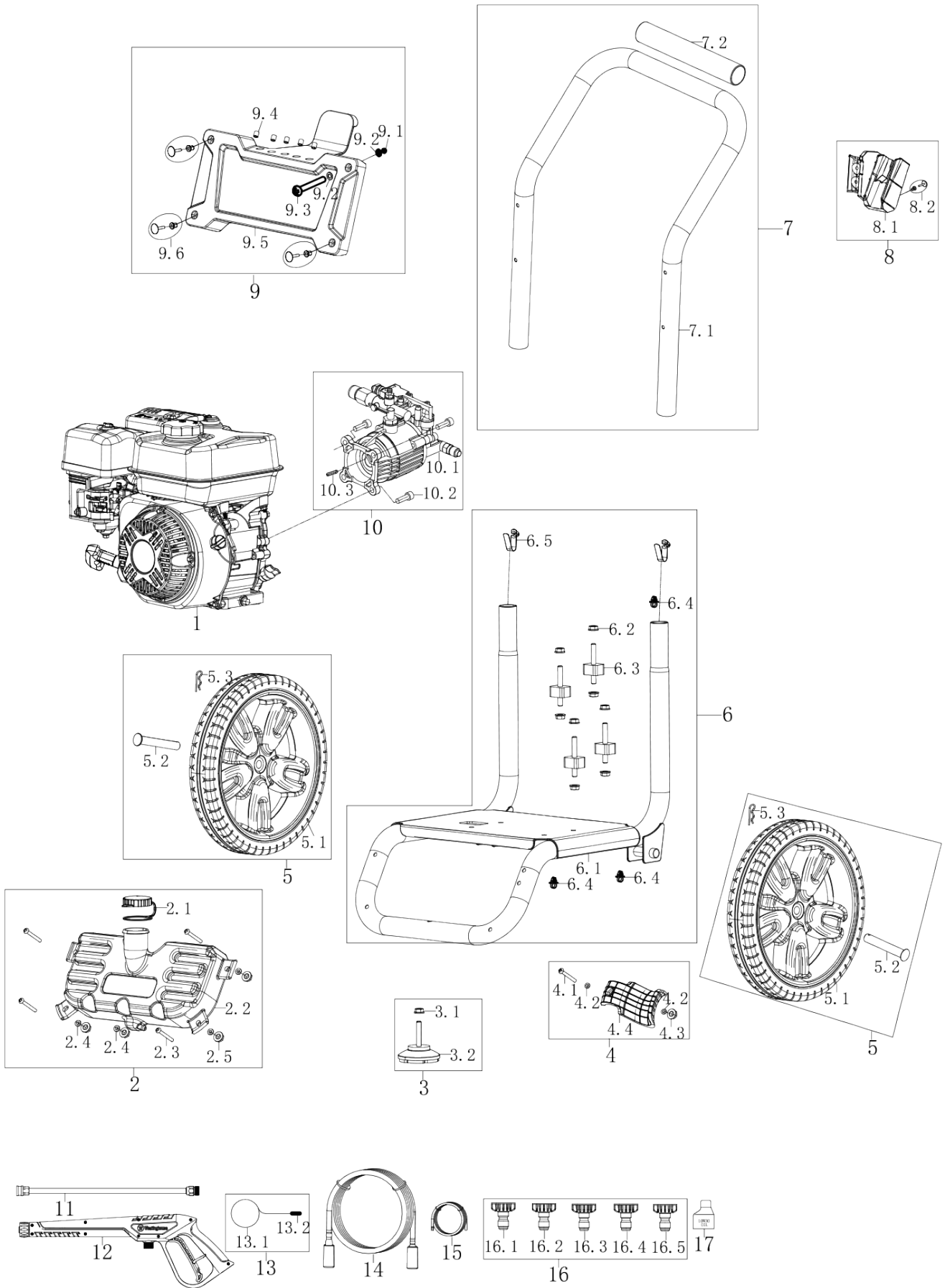
EXPLODED VIEW

WPX3200 ENGINE PARTS LIST CONTINUED

NO.	PART #	DESCRIPTION
14.4	245503	THE PISTON PIN
14.5	241301	PISTON PIN RETAINER
15	50100037	IGNITION COIL KIT ASSEMBLY
15.1	97516	IGNITION COIL ASSEMBLY
15.2	91331	BOLT M6*25
16	50180007	FLYWHEEL KIT ASSEMBLY
16.1	240401	FLYWHEEL COMPONENTS
16.2	244601	IMPELLER
16.3	244502	STARTER PULLY
16.4	90003	IMPELLER NUT M14*1.5
17	50090052	RECOIL KIT ASSEMBLY
17.1	91325	BOLT M6*12
17.2	244791-221E	RECOIL ASSEMBLY
17.2.1	5980-116	RECOIL
17.2.2	5914-243	PULL HANDLE
17.3	245205-243	SWITCH ASSEMBLY

EXPLODED VIEW

WPX3200 PRESSURE WASHER EXPLODED VIEW



EXPLODED VIEW

WPX3200 PRESSURE WASHER PARTS LIST

NO.	PART #	DESCRIPTION
1	1148212110045	ENGINE DH212
2	80100003	SOAP BOTTLE KIT ASSEMBLY
2.1	814011-221	SOAP BOTTLE CAP
2.2	814032-017	SOAP BOTTLE
2.3	91860	BOLT M6X45
2.4	94220	FLAT WASHER ?6
2.5	90023	NUT M6
3	80210003	FOOT PAD ASSEMBLY
3.1	90039	NUT M8
3.2	813008	FOOT PAD
4	80190002	LOWER GUN HOLDER KIT ASSEMBLY
4.1	91860	BOLT M6X45
4.2	94220	FLAT WASHER ?6
4.3	90023	NUT M6
4.4	814016	LOWER GUN HOLDER
5	80090004	WHEEL KIT ASSEMBLY
5.1	812001-131	WHEEL
5.2	816005	AXLE
5.3	816004	R PIN
6	80020005	FRAME BASE KIT ASSEMBLY
6.1	815017-206	FRAME BASE
6.2	90018	NUT M8
6.3	813042	ISOLATION PAD
6.4	210801	CABLE CLIP
6.5	816006	SPRING BUCKLE
7	80030006	FRAME ARMREST KIT ASSEMBLY
7.1	815466-206	FRAME ARMREST
7.2	813005-052	PROTECTIVE GLOVES
8	80140001	UPPER GUN HOLDER KIT ASSEMBLY
8.1	814154	UPPER GUN HOLDER
8.2	814001	PLASTIC EXPAND SCREW
9	80110005	PANEL ASSEMBLY
9.1	90024	NUT M6
9.2	94221	FLAT WASHER 6x 12
9.3	91811	BOLT M6*50
9.4	813001	NOZZLE COVER
9.5	814191-221	BILLBOARD
9.6	814001	PLASTIC EXPAND SCREW
10	80400007	WATER PUMP KIT ASSEMBLY
10.1	810449-3200	WATER PUMP ASSEMBLY
10.2	91345	BOLT M8*20
10.3	246503	CRANKSHAFT FLAT KEY
11	817110	SPRAY ROD ASSEMBLY
12	817088-219	SPRAY GUN
13	80610002	NEEDLE KIT ASSEMBLY
13.1	816010	NEEDLE
13.2	811004	NEEDLE SHEATH

NO.	PART #	DESCRIPTION
14	811557	HIGH PRESSURE PIPE
15	811002	LIQUID SUCTION HOSE
16	80600001	NOZZLE KIT ASSEMBLY
16.1	817008	NOZZLE
16.2	817009	NOZZLE
16.3	817010	NOZZLE
16.4	817011	NOZZLE
16.5	817085	NOZZLE
17	99647	OIL BOTTLE ASSEMBLY

ESPAÑOL

Para modelos de lavadoras a presión de gas: **WPX2700, WPX3200**

MANUAL DE USUARIO

NO DEVUELVA ESTE PRODUCTO A LA TIENDA

Si tiene preguntas o necesita ayuda, llame al servicio al cliente al 855-944-3571.

TABLA DE CONTENIDO

INTRODUCCIÓN

DESCARGOS DE RESPONSABILIDAD	32
TODOS LOS DERECHOS RESERVADOS	32
GUARDA ESTAS INSTRUCCIONES.....	32
REGISTRACIÓN DEL PRODUCTO	32
ESPECIFICACIONES	33

LA SEGURIDAD

DEFINICIONES DE SEGURIDAD	34
SÍMBOLOS DE SEGURIDAD Y SIGNIFICADO	34
SEGURIDAD DE COMBUSTIBLE	34
PRECAUCIONES GENERALES DE SEGURIDAD	35

COMPONENTES

COMPONENTES	37
-------------------	----

OPERACIÓN

CONTENIDO DE LA CAJA	38
INSTALE LA MANIJA	38
INSTALE EL PIE DE MONTAJE Y EL SOPORTE DE PISTOLA INFERIOR.....	38
INSTALE EL SOPORTE DE PISTOLA SUPERIOR.....	38
INSERTAR BOQUILLAS DE PULVERIZACIÓN	38
ENSAMBLE LA PISTOLA Y LA MANGUERA	39
LLENADO DE ACEITE INICIAL	39
COMBUSTIBLE	40
CONECTA LA MANGUERA DE JARDÍN	41
UBICACIÓN DE LA LAVADORA A PRESIÓN.....	41
ARRANQUE DEL MOTOR.....	42

DETENER LA LAVADORA A PRESIÓN.....	42
SELECCIÓN DE BOQUILLAS	42
CAMBIAR LA BOQUILLA.....	43
CONSEJOS PARA PULVERIZAR.....	43
USO DE DETERGENTE	43
TRANSPORTE.....	44

MANTENIMIENTO

PROGRAMA DE MANTENIMIENTO	45
LIMPIEZA DE LA LAVADORA A PRESIÓN.....	45
BOQUILLAS DE PULVERIZACIÓN DE LIMPIEZA.....	45
MANTENIMIENTO DEL FILTRO DE AIRE.....	45
COMPROBACIÓN DEL NIVEL DE ACEITE DEL MOTOR ...	46
CAMBIO DE ACEITE DEL MOTOR	46
MANTENIMIENTO DE BUJÍAS.....	47
SERVICIO DE APAGACHISPAS.....	47
ALMACENAMIENTO.....	48
ALMACENAMIENTO DE INVIERNO	48
JUEGO DE VÁLVULAS.....	49

SOLUCIÓN DE PROBLEMAS

SOLUCIÓN DE PROBLEMAS	50
-----------------------------	----

INTRODUCCIÓN

INTRODUCCIÓN

⚠ ADVERTENCIA: El funcionamiento, el servicio y el mantenimiento de este equipo pueden exponerlo a sustancias químicas, como gases de escape del motor, monóxido de carbono, ftalatos y plomo, que el estado de California reconoce como causantes de cáncer y defectos de nacimiento u otros daños reproductivos. Para minimizar la exposición, evite respirar el escape, realice el mantenimiento de su embarcación en un área bien ventilada y use guantes o lávese las manos con frecuencia cuando realice el mantenimiento de este equipo. Para obtener más información, visite www.P65warnings.ca.gov.

DESCARGOS DE RESPONSABILIDAD

Toda la información, ilustraciones y especificaciones de este manual estaban vigentes en el momento de su publicación. Las ilustraciones utilizadas en este manual están destinadas a ser vistas de referencia representativas únicamente. Nos reservamos el derecho de realizar cualquier cambio de especificación o diseño sin previo aviso.

TODOS LOS DERECHOS RESERVADOS

Todos los derechos reservados. No se permite la reproducción de ninguna forma sin el permiso por escrito de Westinghouse Outdoor Power Equipment, LLC.

⚠ ADVERTENCIA	
	Lea este manual antes de usar o realizar el mantenimiento de este producto. El incumplimiento de las instrucciones y precauciones de seguridad de este manual puede provocar lesiones graves o la muerte.

GUARDA ESTAS INSTRUCCIONES

REGISTRACIÓN DEL PRODUCTO

Para una cobertura de garantía sin problemas, es importante registre su generador Westinghouse. Puede registrarse por:

- Completar y enviar por correo la tarjeta de registro del producto incluido en la caja.
- Registrar su producto en línea en: [https://westinghouseoutdoorpower.com/pages/registro de garantía](https://westinghouseoutdoorpower.com/pages/registro%20de%20garantía)
- Escaneando el siguiente código QR con la cámara de su teléfono inteligente. Serás dirigido al enlace de registro móvil.



- Envío de la siguiente información del producto a:

Westinghouse Outdoor Power
Warranty registration
777 Manor Park Drive
Columbus, OH 43228

Para su archivo

Fecha de compra: _____

Número de modelo: _____

Número de serie: _____

Lugar de compra: _____

IMPORTANTE: Conserve su recibo de compra para una cobertura de garantía sin problemas.

INTRODUCCIÓN

ESPECIFICACIONES

ESPECIFICACIONES	WPX2700	WPX3200
Presión (PSI / BAR):	2700/186	3200/220
Tasa de flujo (GPM / LPM):	2.3/8.71	2.5/9.46
Temperatura del agua: (°F/°C):	104°/40° Max	
Longitud de la manguera (pies):	25	
Capacidad del tanque de jabón (gal / l):	0.42/1.6	
Desplazamiento del motor (cc):	212	
Tipo de inicio:	Recoil	
Fuel Capacity (Gal/L):	0.87/3.3	
Tipo de combustible:	87–93 octane*	
Capacidad de aceite (Oz/L):	20/0.6	
Tipo de aceite:	SAE 10W-30	
Bujía:	F7TC	
Espacio de la bujía:	0.024 – 0.032 in. (0.60 – 0.80 mm)	
Boquillas (WPX2700):	0°, 25°, 40°, Soap	
Boquillas (WPX3200):	0°, 15°, 25°, 40°, Soap	
Certificaciones:	• EPA • CARB	

* Contenido de etanol del 10% o menos. NO use E15 o E85.

NOTICE

Este producto está diseñado y clasificado para un funcionamiento continuo a temperaturas ambiente de hasta 104 ° F (40 ° C). Si es necesario, este producto se puede utilizar a temperaturas que oscilan entre 5 ° F (15 ° C) y 122 ° F (50 ° C) durante períodos cortos. Si el producto se expone a temperaturas fuera de este rango durante el almacenamiento, debe volver a colocarse dentro de este rango antes de su funcionamiento. Este producto siempre debe utilizarse al aire libre en un área bien ventilada y lejos de puertas, ventanas y otros conductos de ventilación.

La potencia máxima disminuye aproximadamente un 3.5% por cada 1,000 pies sobre el nivel del mar, y también disminuirá aproximadamente un 1% por cada 10 ° F (6 ° C) por encima de 60 ° F (16 ° C) de temperatura ambiente.

LA SEGURIDAD

LA SEGURIDAD

DEFINICIONES DE SEGURIDAD

Las palabras PELIGRO, ADVERTENCIA, PRECAUCIÓN y AVISO se utilizan en este manual para resaltar información importante. Asegúrese de que todos los que operan, realizan mantenimiento o se encuentran cerca del generador conozcan el significado de esta información de seguridad.



Aparece este símbolo de alerta de seguridad con la mayoría de las declaraciones de seguridad. Eso significa atención, mantente alerta, tu la seguridad está involucrada! Por favor lea y Cumplir con el mensaje que sigue el símbolo de alertas de seguridad.

⚠️ ADVERTENCIA

Indica una situación peligrosa que, si no se evita, provocará la muerte o lesiones graves.

⚠️ ADVERTENCIA

Indica una situación peligrosa que, si no se evita, podría provocar la muerte o lesiones graves.

⚠️ PRECAUCIÓN

Indica una situación peligrosa que, si no se evita, podría provocar lesiones leves o moderadas.

AVISO

Indica una situación que puede causar daños al generador, propiedad personal y / o el medio ambiente, o hacer que el equipo funcione incorrectamente.

Note: Indica un procedimiento, práctica o condición que se debe seguir para que el generador funcione de la manera prevista.

SÍMBOLOS DE SEGURIDAD Y SIGNIFICADO

Siga toda la información de seguridad contenida en este manual y en el generador.

Símbolo	Descripción
	Símbolo de alerta de seguridad
	Riesgo de electrocución
	Peligro de asfixia
	Peligro de quemaduras. No toque superficies calientes.
	Peligro de descarga eléctrica
	Riesgo de inyección. No dirija el chorro de agua a personas o mascotas.
	Contragolpe. Sostenga la pistola rociadora de forma segura
	Peligro de incendio
	Mantenga una distancia segura
	Peligro de levantamiento
	Leer las instrucciones del fabricante
	No operar en condiciones de humedad

SEGURIDAD DE COMBUSTIBLE

⚠️ ADVERTENCIA

Riesgo de incendio y explosión. La gasolina es altamente explosiva e inflamable y puede causar quemaduras graves o la muerte.

- En caso de incendio de gas, no intente apagar la llama si la válvula del tanque de combustible está en la posición ON. Introducir un extintor en una lavadora a presión con una válvula de combustible abierta podría crear un peligro de explosión.
- El gas tiene un olor distintivo, esto ayudará a detectar posibles fugas rápidamente.
- Los vapores de gas pueden provocar un incendio si se encienden.

- La gasolina irrita la piel y debe limpiarse inmediatamente si entra en contacto con la piel.
- La gasolina y los vapores de gasolina son extremadamente inflamables y explosivos en determinadas condiciones.
- SIEMPRE reposte la lavadora a presión al aire libre, en un área bien ventilada.
- NUNCA quite la tapa de combustible con el motor en marcha.
- NUNCA reabastezca de combustible la lavadora a presión mientras el motor esté en funcionamiento. Siempre apague el motor y deje que la lavadora a presión se enfríe durante al menos dos minutos antes de repostar.
- Llene el tanque de combustible únicamente con gasolina.
- Mantenga alejadas las chispas, llamas abiertas u otras formas de ignición (como fósforos, cigarrillos, fuentes de electricidad estática) cuando reabastezca combustible.
- NUNCA llene demasiado el tanque de combustible. Deje espacio para que el combustible se expanda. Sobrellenar el tanque de combustible puede resultar en un desbordamiento repentino de gasolina y resultar en que la gasolina derramada entre en contacto con superficies CALIENTES.
- El combustible derramado puede arder. Si se derrama combustible en la lavadora a presión, limpie cualquier derrame inmediatamente. Deseche el trapo correctamente. Deje que se seque el área de combustible derramado antes de operar la lavadora a presión.
- Use protección para los ojos mientras reposta.
- NUNCA use gasolina como agente de limpieza.
- Almacene cualquier recipiente que contenga gasolina en un área bien ventilada, lejos de cualquier combustible o fuente de ignición.
- Compruebe si hay fugas de combustible después de repostar.
- Nunca opere el motor si se descubre una fuga de combustible.
- Almacene el combustible en un recipiente aprobado para gasolina.
- No fume cuando llene la hidrolavadora con gasolina.
- No permita que el tanque de gasolina se desborde al llenarlo.
- Apague el motor y deje que se enfríe durante dos minutos antes de agregar gasolina o aceite a la lavadora a presión.
- Limpie el combustible derramado de la unidad.
- Nunca intente quemar el combustible derramado.
- Almacene cualquier recipiente que contenga gasolina en un área bien ventilada, lejos de cualquier combustible

o fuente de ignición.

PRECAUCIONES GENERALES DE SEGURIDAD

- No lo utilice cuando esté cansado o bajo la influencia de drogas, alcohol o medicamentos.
- Siempre use anteojos de seguridad o anteojos de seguridad con protectores laterales y, según sea necesario, un protector facial completo y protección completa para los oídos cuando utilice este producto.
- Si comienza a sentirse enfermo, mareado o débil mientras usa la lavadora a presión, muévase al aire fresco INMEDIATAMENTE. Consulte a un médico, ya que puede sufrir una intoxicación por monóxido de carbono.
- Úselo solo EN EXTERIORES y lejos de ventanas, puertas y conductos de ventilación según lo recomendado por los Centros para el Control y la Prevención de Enfermedades del Departamento de Salud y Servicios Humanos de EE. Su casa específica y / o las condiciones del viento pueden requerir una distancia adicional.
- Mientras opera y almacena, mantenga al menos cinco pies de espacio libre en todos los lados de la lavadora a presión, incluido el techo. Deje que la lavadora a presión se enfríe un mínimo de 30 minutos antes de guardarla. El calor creado por el silenciador y los gases de escape puede ser lo suficientemente caliente como para causar quemaduras graves y / o encender objetos combustibles.
- No toque el silenciador ni el motor. Están muy CALIENTES y causarán quemaduras graves. No coloque partes del cuerpo ni ningún material inflamable o combustible en el camino directo del escape.
- Siempre retire cualquier herramienta u otro equipo de servicio utilizado durante el mantenimiento lejos de la unidad antes de operar.
- Evite el contacto de la piel con aceite de motor o gasolina. Use ropa y equipo de protección. Lave toda la piel expuesta con agua y jabón.

ADVERTENCIA

Riesgo de inyección o lesiones. Los chorros de alta presión pueden ser peligrosos si se utilizan incorrectamente. NO dirija el chorro de descarga hacia personas, animales, dispositivos eléctricos o la propia máquina. SIEMPRE apunte la pistola rociadora en una dirección segura. Cada vez que pare el motor, presione el gatillo de la pistola rociadora para aliviar la presión.

LA SEGURIDAD

⚠️ ADVERTENCIA

NUNCA rocíe líquidos inflamables ni use lavadoras a presión en áreas que contengan polvo, líquidos o vapores combustibles. NUNCA opere esta máquina en un edificio cerrado o cerca de un ambiente explosivo.

⚠️ ADVERTENCIA

El contacto con la fuente de energía eléctrica puede causar descargas eléctricas o quemaduras. NUNCA rocíe en la dirección o cerca de una fuente de alimentación / tomacorriente.

- NUNCA desconecte la manguera de descarga de alta presión de la máquina mientras el sistema esté presurizado.
- NO permita que el agua de la bomba se congele. Consulte la sección Almacenamiento en el manual para obtener instrucciones sobre el almacenamiento en invierno.
- Si el agua se ha congelado en la lavadora a presión, descongéla en una habitación cálida antes de comenzar.
- Utilice la lavadora a presión solo para los usos previstos.
- Opere solo en superficies niveladas.
- NO esponga la hidrolavadora a humedad, polvo o suciedad excesivos.
- NO permita que ningún material bloquee las ranuras de enfriamiento.
- NO use la lavadora a presión si la unidad emite chispas, humea, emite llamas o vibra excesivamente.

Al encender la lavadora a presión:

- NUNCA haga funcionar la unidad en seco. Asegúrese de que el suministro de agua esté completamente abierto antes de operar la unidad.
- NO vierta agua caliente sobre o dentro de la bomba; las piezas internas se dañarán y su garantía quedará anulada. ÚNICAMENTE use agua fría.
- Úselo solo en una superficie nivelada.
- Asegúrese de que haya un drenaje adecuado para disipar el agua.
- Asegúrese de que la tapa de combustible, el filtro de aire, la bujía, las líneas de combustible y el sistema de escape estén colocados correctamente.
- Si derrama gasolina en el tanque, deje que se evapore completamente antes de operar.

Al transportar o reparar la lavadora a presión:

- Desconecte la bota de chispa para evitar un arranque accidental.

Al guardar la hidrolavadora:

- Almacene lejos de chispas, llamas abiertas, luces

piloto, calor y otras fuentes de ignición.

- No almacene gasolina cerca de hornos, calentadores de agua o cualquier otro aparato que produzca calor o tenga encendido automático.

AVISO

El agua a alta presión puede dañar las superficies frágiles. SIEMPRE practique en un área de prueba discreta para comprender cuándo pueden ocurrir daños.

⚠️ ADVERTENCIA

El uso de lavadoras a presión puede crear superficies mojadas para caminar. Mientras usa una lavadora a presión, las fuerzas de la pistola pueden hacer que se afloje y se caiga.

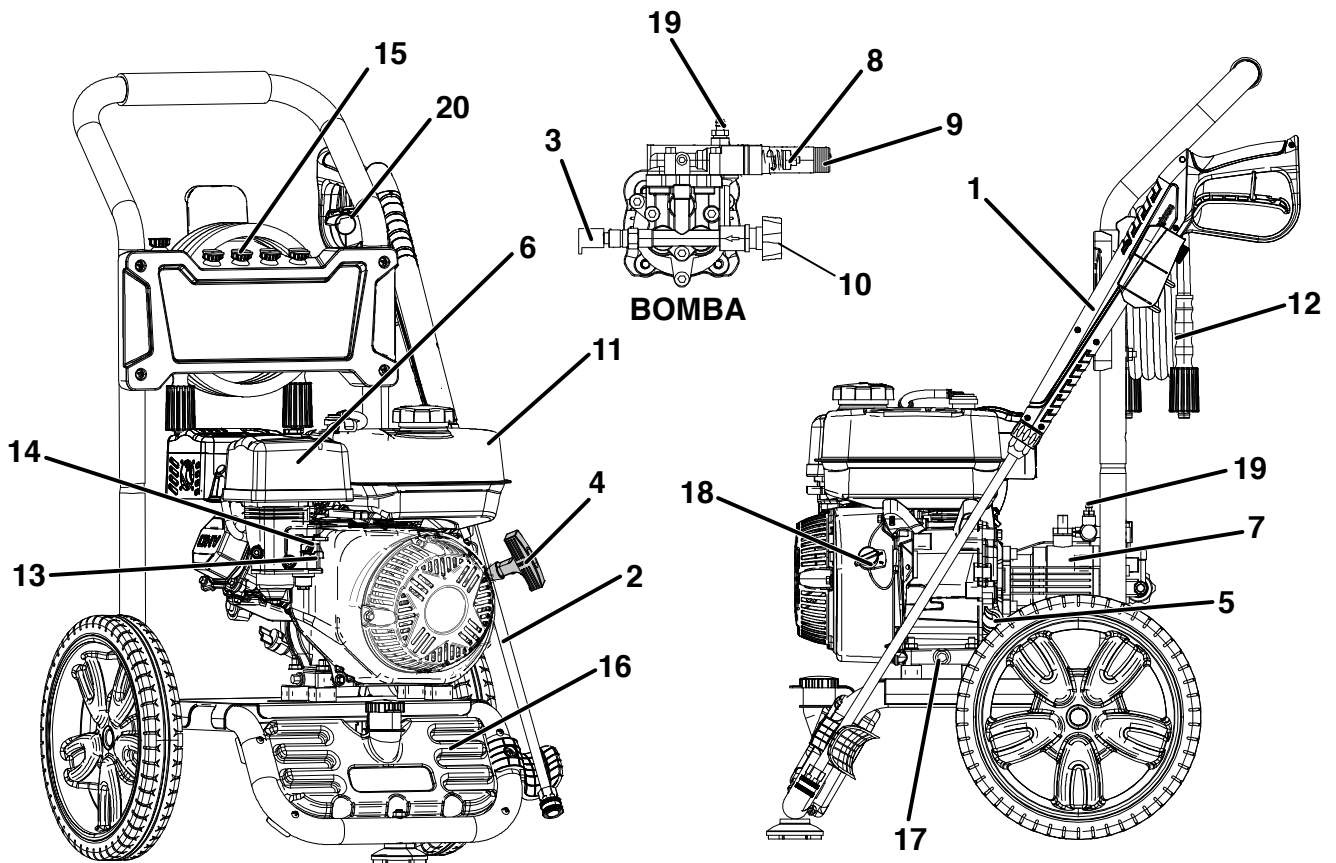
⚠️ ADVERTENCIA

El aerosol de alta presión puede salpicar al operador o propulsar objetos.

- NUNCA permita que los niños operen una lavadora a presión o jueguen cerca.
- NUNCA deje la pistola rociadora desatendida mientras la máquina esté funcionando o hasta que se haya apagado el motor y se haya aliviado la presión de la pistola rociadora.
- NUNCA repare la manguera de alta presión, reemplácela.
- NUNCA repare las conexiones con fugas con sellador, reemplace las juntas tóricas dañadas.
- NUNCA use una pistola rociadora con un seguro de gatillo dañado o alterado.
- NUNCA: asegure el gatillo en la posición abierta / rociado.
- SIEMPRE mantenga la manguera de alta presión conectada a la pistola rociadora y la bomba mientras esté en uso.
- SIEMPRE asegúrese de que la boquilla de la pistola rociadora esté correctamente conectada a la lanza.
- SIEMPRE use gafas de seguridad cuando opere este equipo. Las gafas de seguridad cubren los lados, la parte superior e inferior de los ojos. No confunda gafas de seguridad con gafas.
- Úselo solo en una superficie nivelada. DO NOT use on elevated surface where kickback could result in a serious fall.
- SIEMPRE agarre la pistola con las dos manos para evitar posibles lesiones causadas por la alta presión de la pistola.

COMPONENTES

COMPONENTES



1. **Pistola pulverizadora:** controla la aplicación de agua sobre la superficie con el gatillo. Incluye seguro de gatillo.
2. **Lanza de pistola:** se conecta al extremo de la pistola de pulverización y funciona con boquillas de presión incluidas.
3. **Válvula de alivio térmico:** cuando el agua alcanza los 125 ° F, el agua tibia se descargará de la bomba al suelo para ayudar a evitar daños internos en la bomba.
4. **Arrancador de retroceso:** tire para arrancar el motor.
5. **Varilla medidora de aceite / cuello de llenado:** se utiliza para revisar / llenar el aceite.
6. **Filtro de aire**
7. **Bomba:** Genera alta presión.
8. **Válvula de descarga:** controla la salida de presión.
9. **Salida de alta presión:** Conexión para manguera de alta presión.
10. **Entrada de agua:** Conexión para manguera de jardín.
11. **Tanque de combustible:** llénelo con combustible regular sin plomo. No llene demasiado.
12. **Manguera de alta presión**
13. **Interruptor de encendido/apagado de combustible:** Enciende y apaga el suministro de combustible al motor.
14. **Choke:** prepara un motor frío para arrancar.
15. **Boquillas:** diferentes tamaños para diversas aplicaciones de limpieza a alta presión.
16. **Tanque de detergente:** Sifone el detergente en la corriente de baja presión. Se enciende automáticamente cuando se usa la boquilla de jabón negro. Utilice únicamente detergente apto para lavadoras a presión.
17. **Tapón de drenaje de aceite:** se utiliza para drenar el aceite del motor.
18. **Interruptor de encendido / apagado del motor:** Gire el interruptor a la posición de encendido antes de usar el arrancador de retroceso. Gire a la posición de APAGADO para detener el motor.
19. **Púa de conexión de la manguera de detergente:** conecta el tanque de detergente a la bomba.
20. **Herramienta de limpieza de boquillas:** se utiliza para limpiar boquillas.

OPERACIÓN

OPERACIÓN

CONTENIDO DE LA CAJA

⚠ PRECAUCIÓN

Peligro de peso. Siempre tenga ayuda cuando levante la hidrolimpiadora.

1. Abra la caja con cuidado.
2. Retire y guarde el contenido de la caja.
3. Retire y deseche la bandeja de embalaje.
4. Despliegue la parte superior de la bolsa de plástico que encierra la hidrolavadora.
5. Corte con cuidado las esquinas verticales de la caja.
6. Recicle o deseche los materiales de embalaje correctamente.

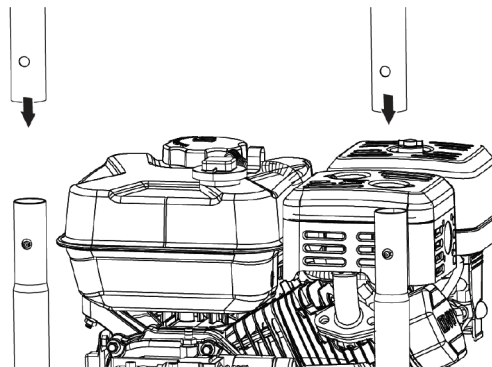
Contenido de la caja

Artículo	Cantidad
• Manual de usuario	1
• Guía de inicio rápido	1
• Botella aceite 10W-30	1
• Punta de embudo de botella	1
• Pistola rociadora	1
• Lanza de pistola pulverizadora	1
• Encargarse de	1
• Manguera de alta presión	1
• Pie de montaje	1
• Herramienta de limpieza de boquillas	1
• Boquillas de pulverización (WPX2700)	4
• Boquillas de pulverización (WPX3200)	5
• Tuerca, M8	1
• Soporte superior de pistola pulverizadora	1
• Remache	1
• Soporte inferior de pistola pulverizadora	1
• Perno y tuerca, M6	1
• Lavadora	2

Si falta alguna pieza, comuníquese con nuestro equipo de servicio en service@wpowerreq.com o llame al 1-855-944-3571.

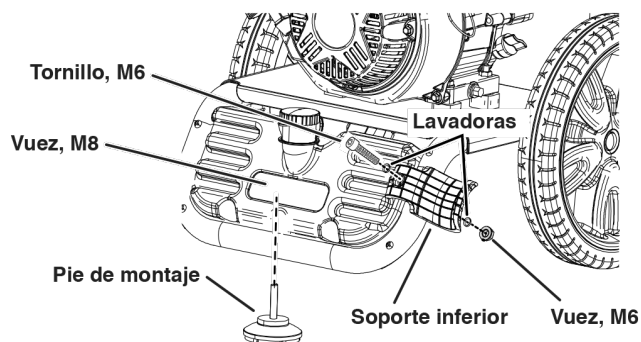
INSTALE LA MANIJA

Instale la manija en el bastidor inferior con el lado de la calcomanía hacia el motor. Deslice la manija hacia abajo hasta que los botones de resorte encajen en su lugar a través de los orificios en la manija.



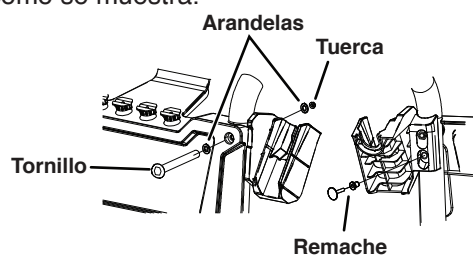
INSTALE EL PIE DE MONTAJE Y EL SOPORTE DE PISTOLA INFERIOR

Instale el pie de montaje y asegúrelo con la tuerca M8. Fije el soporte de pistola inferior con el tornillo M6, las arandelas y la tuerca.



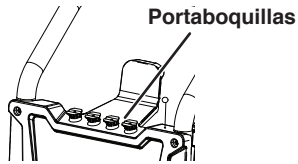
INSTALE EL SOPORTE DE PISTOLA SUPERIOR

Desde la parte delantera de la unidad, retire el perno, la arandela y la tuerca de la parte superior derecha. Vuelva a instalar con el soporte superior de la pistola rociadora. Desde la parte trasera de la unidad, instale el remache de empuje como se muestra.



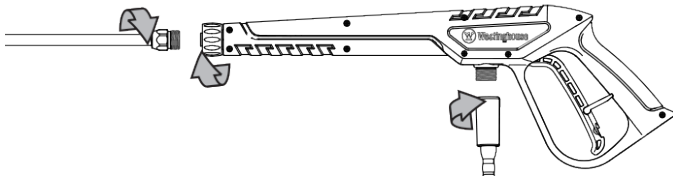
INSERTAR BOQUILLAS DE PULVERIZACIÓN

Inserte las boquillas de colores en los soportes correspondientes en la parte superior de la lavadora a presión (se muestra la WPX2700).



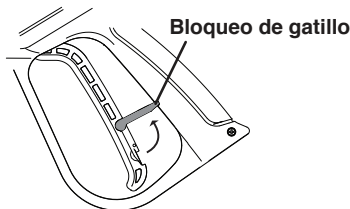
ENSAMBLE LA PISTOLA Y LA MANGUERA

1. Instale la lanza rociadora en la pistola rociadora. Apriete el collar de la pistola rociadora con la mano. NO apriete demasiado.
2. Instale la manguera de alta presión y apriete el collar. NO apriete demasiado.

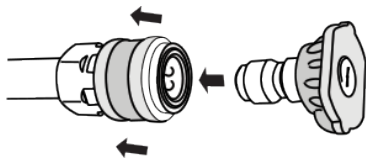


3. Enganche el seguro del gatillo en la posición segura.

Note: El bloqueo del gatillo evita que la pistola rociadora se active accidentalmente. Empuje la cerradura completamente hacia arriba para engancharla.



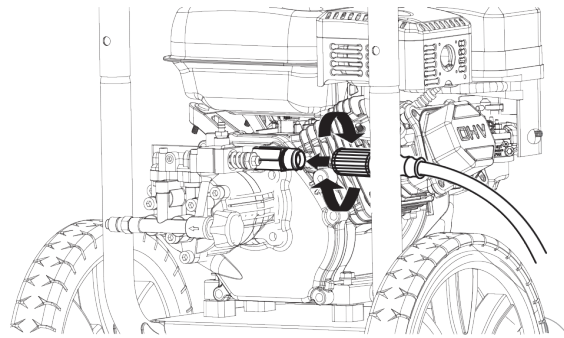
4. Seleccione la boquilla deseada para la aplicación. Tire hacia atrás del collar de conexión rápida en el extremo de la lanza rociadora. Inserte la boquilla y luego suelte el collar. Tire de la boquilla para asegurarse de que esté asegurada.



5. Monte la pistola pulverizadora en los portapistolas.
6. Conecte la manguera de alta presión a la salida de alta presión de la bomba. NO apriete demasiado.

AVISO

Tenga cuidado de evitar las roscas cruzadas, que pueden provocar que la manguera gotee durante el uso.



LLENADO DE ACEITE INICIAL

AVISO

ESTA UNIDAD SE HA ENVIADO SIN ACEITE. No intente arrancar o arrancar el motor antes de que haya recibido el servicio adecuado con el aceite recomendado. No agregar aceite de motor antes de arrancar resultará en daños graves al motor.

AVISO

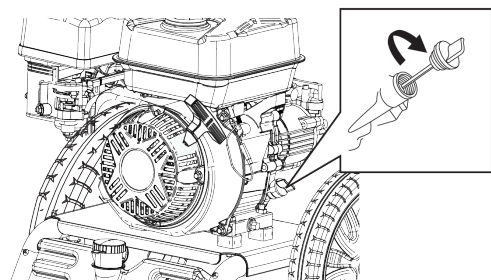
El uso de aceite de 2 tiempos/ciclo u otros tipos de aceite no aprobados puede causar daños graves al motor que no están cubiertos por la garantía.

El tipo de aceite recomendado incluido para uso típico es aceite de motor 10W-30. Si utiliza la lavadora a presión en temperaturas extremas, consulte el siguiente cuadro.

Tipo de aceite de motor recomendado								
			10W-30					
	5W-30				10W-40			
	5W-30 Sintético							
°F	-20	0	20	40	60	80	100	120
°C	-28.9	-17.8	-6.7	4.4	15.6	26.7	37.8	48.9
Temperatura ambiente								

1. En una superficie nivelada, retire la varilla medidora de aceite.

Nota: Hay una varilla medidora de aceite/cuello de llenado en ambos lados de la unidad. Cualquiera de los dos se puede utilizar para comprobar o agregar aceite.



2. Con el aceite suministrado y la punta del embudo,

OPERACIÓN

agregue aceite en la boca de llenado de aceite.

Note: Dado que el aceite residual de fábrica puede permanecer en el motor, agregue el aceite gradualmente para evitar sobrellenar el motor. Consulte Comprobación del nivel de aceite del motor en la sección Mantenimiento.

3. Reemplace la varilla medidora de aceite y apriete a mano.

COMBUSTIBLE

⚠ ADVERTENCIA

Riesgo de incendio y explosión. Nunca use un recipiente de gasolina, tanque de gasolina o cualquier otro elemento de combustible que esté roto, cortado, rasgado o dañado.

⚠ ADVERTENCIA

Riesgo de incendio y explosión. No llene demasiado el tanque de combustible. Rellene solo hasta la parte inferior del cuello de llenado. El sobrellenado puede hacer que el combustible se derrame sobre el motor y cause un riesgo de incendio o explosión.

⚠ ADVERTENCIA

Riesgo de incendio y explosión. Nunca reposte la lavadora a presión mientras el motor está en marcha. Siempre apague el motor y deje que la lavadora a presión se enfríe durante dos minutos antes de repostar.

NOTICE



No utilice combustible E15 o E85 en este producto. Los daños al motor o al equipo causados por combustible viejo o el uso de combustibles no aprobados (como mezclas de etanol E15 o E85) no están cubiertos por la garantía. Utilice únicamente gasolina sin plomo que contenga hasta un 10% de etanol.

REQUISITOS DE COMBUSTIBLE

- Gasolina LIMPIA, FRESCA, sin plomo, 87–93 octanos.
- Se acepta hasta un 10% de etanol (gasohol) (cuando esté disponible; se recomienda combustible sin etanol).
- NO use E85 o E15.
- NO use una mezcla de gasóleo.
- NO modifique el motor para que funcione con combustibles alternativos.
- NO cargue combustible en interiores.

- NO cree una chispa o llama mientras reposta.

USANDO ESTABILIZADOR DE COMBUSTIBLE

Agregar un estabilizador de combustible (no incluido) extiende la vida útil del combustible y ayuda a prevenir la formación de depósitos que pueden obstruir el sistema de combustible. Siga las instrucciones de uso del fabricante.

Mezcle siempre la cantidad correcta de estabilizador de combustible con gasolina en un recipiente de gasolina aprobado antes de cargar combustible en la lavadora a presión. Haga funcionar la lavadora a presión durante dos minutos para permitir que el estabilizador trate todo el sistema de combustible.

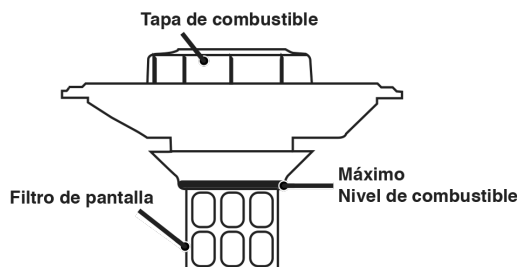
LLENADO DEL TANQUE DE COMBUSTIBLE

1. Apague la lavadora a presión y deje que se enfríe durante un mínimo de dos minutos antes de cargar combustible.
2. Coloque la hidrolimpiadora a presión en una superficie plana en un área bien ventilada.
3. Limpie el área alrededor de la tapa de combustible y retire la tapa lentamente.

AVISO

Llene el tanque únicamente con un recipiente de gasolina aprobado. Asegúrese de que el recipiente de gasolina esté limpio por dentro y en buenas condiciones para evitar la contaminación del sistema de combustible.

4. Agregue lentamente el combustible recomendado. No llene demasiado. Llene solo hasta la parte superior del filtro de malla de combustible visible en el cuello de llenado.



5. Instale la tapa de combustible y apriétela hasta que escuche un clic.

AVISO

El combustible puede dañar la pintura y el plástico. Tenga cuidado al llenar el tanque de combustible. Los daños causados por el combustible derramado no están cubiertos por la garantía.

AVISO

Limpie los residuos del filtro de malla de combustible antes y después de cada repostaje. Quite el filtro de malla de combustible comprimiéndolo ligeramente mientras lo saca del tanque de combustible.

CONECTA LA MANGUERA DE JARDÍN

AVISO

Nunca conecte su hidrolavadora a un suministro de agua caliente. Conectar su hidrolavadora a una fuente de agua caliente reducirá significativamente la vida útil de la bomba y anulará la garantía.

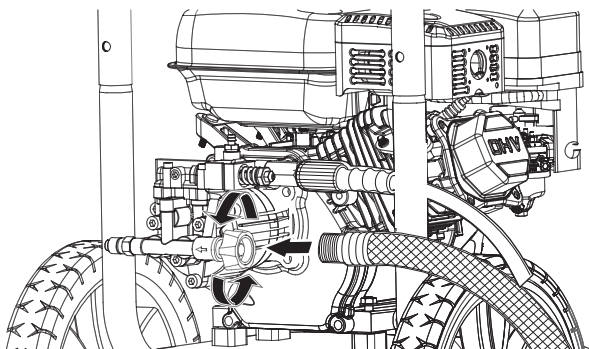
El suministro de agua debe provenir de una boquilla de agua a presión. NUNCA use agua caliente o agua de piscinas, lagos, etc. Antes de conectar la manguera de jardín a la lavadora a presión:

1. Deje correr agua a través de la manguera durante 30 segundos para limpiar cualquier residuo de la manguera.
2. Inspeccione la pantalla y la junta en la entrada de agua de la bomba. Si la pantalla o la junta están dañadas, no use la lavadora a presión hasta que la reemplace.
3. Si la pantalla está sucia, límpiela antes de conectar la manguera de jardín a la bomba.
4. Desenrolle completamente la manguera de jardín o retírela completamente del carrete para evitar torceduras.

AVISO

Debe haber un mínimo de 10 pies (3 m) de manguera sin restricciones entre la entrada de la lavadora a presión y el grifo de la manguera o la válvula de cierre (como un conector de cierre en "Y").

5. Con el grifo de la manguera completamente cerrado, conecte el extremo de la manguera de jardín a la entrada de agua de la bomba. Apriete a mano.



AVISO

No haga funcionar la lavadora a presión sin el suministro de agua conectado y encendido, ya que esto puede dañar los sellos de alta presión y reducir la vida útil de la bomba. Desenrolle completamente la manguera de su carrete o bobina y asegúrese de que la manguera no esté restringida por neumáticos, rocas o cualquier otro objeto que pueda disminuir o evitar el flujo de agua a la lavadora a presión.

UBICACIÓN DE LA LAVADORA A PRESIÓN

⚠️ ADVERTENCIA

Peligro de asfixia. Nunca opere la lavadora a presión en un área cerrada. El escape del motor contiene monóxido de carbono que puede matar en minutos. Solo opere la lavadora a presión en exteriores y lejos de ventanas, puertas y conductos de ventilación. Coloque la lavadora a presión en un área bien ventilada. NO coloque la lavadora a presión cerca de conductos de ventilación o entradas donde los gases de escape puedan entrar en espacios ocupados o confinados. Considere cuidadosamente las corrientes de aire y viento al colocar la lavadora a presión.

Esta lavadora a presión debe tener al menos 5 pies (1,5 m) de espacio libre de material combustible. Deje al menos 3 pies (0,91 m) de espacio libre en todos los lados de la lavadora a presión para permitir un enfriamiento, mantenimiento y servicio adecuados.

ANTES DE ENCENDER EL MOTOR

Verificalo:

- La hidrolimpiadora se coloca en un lugar apropiado.
- El unidad está sobre una superficie seca, plana y nivelada.
- El motor está lleno de aceite.

OPERACIÓN

ARRANQUE DEL MOTOR

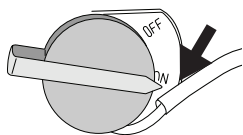
⚠ ADVERTENCIA

Siempre use anteojos de seguridad o anteojos de seguridad con protectores laterales y, según sea necesario, un protector facial completo y protección completa para los oídos cuando utilice este producto.

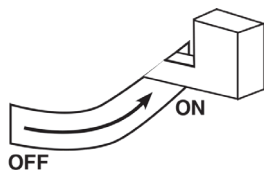
AVISO

Hacer funcionar la unidad durante más de un minuto sin rociar agua hace que se acumule calor en la bomba. En caso de que la bomba se caliente demasiado, se abrirá una válvula de alivio térmico para liberar el agua caliente. Hacer funcionar la unidad sin rociar agua puede dañar los componentes de la bomba y anulará la garantía.

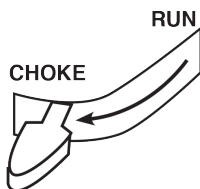
1. Encienda el suministro de agua.
2. Apriete el gatillo de la pistola rociadora para purgar todo el aire de la bomba y la manguera. Esto puede tomar varios minutos.
3. No arranque el motor hasta que salga un chorro de agua constante por la boquilla.
4. Gire el interruptor del motor a la posición ON.



5. Gire la válvula de combustible a la posición ON.



6. Si el motor está frío, mueva la palanca del estrangulador a la posición CHOKE.

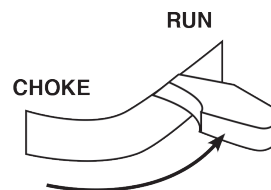


7. Tire del cable de arranque lentamente hasta sentir resistencia y luego tire rápidamente.

Note: Si el motor arranca brevemente y luego se apaga, apriete el gatillo de la pistola rociadora para aliviar la presión antes de intentar arrancar el motor nuevamente.

8. Una vez que arranque el motor, mueva la palanca del

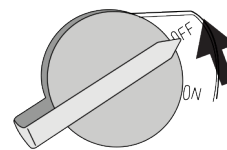
estrangulador a la posición RUN. Deje que el motor se caliente un poco antes de usarlo.



DETENER LA LAVADORA A PRESIÓN

Durante el funcionamiento normal, siga los siguientes pasos para detener la lavadora a presión:

1. Enganche el seguro del gatillo de la pistola rociadora en la posición segura.
2. Mueva el interruptor de apagado / encendido del motor a la posición de apagado.



3. Cierre la válvula de combustible.



4. Apague el suministro de agua.
5. Desactive el bloqueo del gatillo y presione el gatillo durante 15 segundos para despresurizar el sistema.
6. Desconecte la manguera de jardín de la entrada de agua.
7. Complete todos los pasos de la sección DESPUÉS DE CADA USO de este manual.

DURANTE UNA EMERGENCIA

Si hay una emergencia y la lavadora a presión debe detenerse rápidamente, empuje el interruptor de control del motor a la posición de APAGADO inmediatamente.

SELECCIÓN DE BOQUILLAS

El acoplador de conexión rápida en la lanza rociadora permite cambiar entre boquillas mientras la lavadora a presión está en funcionamiento.

⚠ ADVERTENCIA

Siempre active el seguro del gatillo antes de cambiar una boquilla.

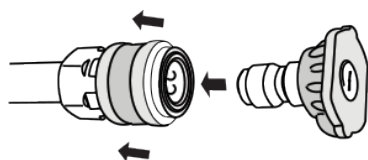
SELECCIÓN DE BOQUILLAS					
	LAVADO A ALTA PRESION				LAVADO A BAJA PRESIÓN
	ROJO	AMARILLO	VERDE	BLANCO	JABÓN
	0°	15°	25°	40°	
Hormigón, Ladrillo, Mampostería	!	!	✓	✓	✓
Revestimiento, Canales, Hogar	X	!	!	✓	✓
Cercado, Cubierta, Patio	X	!	!	✓	✓
Equipos para césped y jardín, barcos, caravanas	X	!	!	✓	✓
✓ Boquilla recomendada ! Utilizar con precaución X No utilice					

AVISO

Utilice únicamente las boquillas suministradas con las hidrolimpiadoras a presión. El uso de otras boquillas puede afectar el rendimiento y anular la garantía. Para boquillas de repuesto, llame al (855) 944-3571.

CAMBIAR LA BOQUILLA

Tire hacia atrás del collar de conexión rápida en el extremo de la lanza rociadora. Inserte la boquilla y luego suelte el collar. Tire de la boquilla para asegurarse de que esté asegurada.



CONSEJOS PARA PULVERIZAR

Para la mayor parte de la limpieza, mantenga la boquilla de 20 a 61 cm (8 a 24 pulg.) Alejada de la superficie de limpieza.

- Puede dañar la superficie de limpieza si rocía demasiado cerca, especialmente con boquillas de alta presión.
- Cuando comience a rociar, comience más lejos y acérquese para evitar dañar la superficie.
- Para evitar daños a las llantas, deje al menos 6 pulgadas (15 cm) entre una llanta y la boquilla.

USO DE DETERGENTE

El uso de detergentes puede reducir drásticamente el tiempo de limpieza y ayudar a eliminar las manchas difíciles. Muchos detergentes están personalizados para su uso en lavadoras a presión para tareas de limpieza específicas. Al rociar detergente, el detergente se diluirá 1:12. Se consumirán aproximadamente 621 ml (21 oz) de detergente del tanque por cada minuto rociado.

AVISO

Utilice únicamente detergentes diseñados para lavadoras a presión. Los detergentes para lavadoras a presión son tan espesos como el agua. El uso de detergentes más espesos, como jabón para platos, obstruirá el sistema de inyección de productos químicos. No utilice detergentes domésticos, ácidos, alcalinos, blanqueadores, disolventes, material inflamable o soluciones de grado industrial que puedan dañar la bomba o causar daños a la propiedad.

Prepare la solución de limpieza como se indica en la botella de solución. Pruebe siempre en un área poco visible antes de comenzar. Puede limpiar eficazmente las superficies combinando la acción química de los detergentes con enjuagues a alta presión. En superficies verticales, aplique el detergente comenzando por la parte inferior y continúe hacia arriba. Este método evita que el detergente se deslice hacia abajo y provoque rayas. Comience a enjuagar a alta presión en la parte inferior

OPERACIÓN

y continúe hacia arriba. En manchas particularmente difíciles, use un cepillo en combinación con detergentes y enjuague a alta presión.

1. Llene el depósito de detergente con solución limpiadora.
2. Instale la boquilla de detergente (negra) en la lanza rociadora. El detergente solo se extraerá a través de la bomba cuando la boquilla de detergente negra esté colocada en el extremo de la lanza rociadora.
3. Asegúrese de que el suministro de agua esté ENCENDIDO. Encender el motor. Apriete el gatillo para rociar la solución de detergente.

AVISO

NUNCA use lejía en el tanque de detergente. Dañará la bomba y anulará la garantía.

4. Use trazos largos y uniformes superpuestos para aplicar el jabón. Deje que el jabón penetre entre 3 y 5 minutos antes de enjuagar. No permita que el jabón se seque en la superficie antes de enjuagar. Vuelva a aplicar jabón si es necesario para mantener una superficie húmeda para que el jabón penetre.

DETERGENTE SISTEMA DE LAVADO

El sistema de succión de detergente se puede lavar quitando el tubo de succión del tanque de detergente y colocando el tubo en un balde de agua fresca. Solo realice un lavado del sistema cuando el tanque de detergente esté vacío.

1. Con el suministro de agua ENCENDIDO, la boquilla negra conectada a la lanza de la pistola rociadora y el motor en marcha, desconecte el tubo de succión del fondo del tanque de detergente.
2. Coloque el tubo de succión en un balde de agua limpia, desenganche el seguro del gatillo, luego presione el gatillo de la pistola rociadora para lavar el sistema.
3. Enganche el seguro del gatillo y luego vuelva a instalar el tubo de succión en el tanque de detergente.

DESPUÉS DE CADA USO

1. APAGUE el motor y luego APAGUE el suministro de agua.
2. Desactive el seguro del gatillo y presione el gatillo durante 15 segundos para despresurizar el sistema.
3. Deje que la hidrolimpiadora se enfríe.
4. Desconecte la manguera de alta presión y la manguera de entrada de agua.
5. Drene las mangueras, la pistola rociadora y la extensión de la boquilla.

6. Enganche el seguro del gatillo en la pistola rociadora.
7. Limpie todo el agua restante con un trapo limpio y seco.
8. Mientras la lavadora a presión está apagada, tire de la manija de retroceso de 5 a 6 veces. Esto debería eliminar la mayor parte del líquido restante dentro de la bomba.
9. Guarde la lavadora a presión en un lugar limpio y seco..

TRANSPORTE

⚠ PRECAUCIÓN

Peligro de peso. Siempre tenga ayuda cuando levante la hidrolimpiadora.

- Deje que la lavadora a presión se enfríe un mínimo de 30 minutos antes de transportarla.
- Utilice únicamente el marco fijo de la hidrolimpiadora a presión para levantar la unidad o sujetar cualquier restricción de carga, como cuerdas o correas de sujeción. No intente levantar o asegurar la lavadora a presión sujetándola por ninguno de sus otros componentes.
- Mantenga la unidad nivelada durante el transporte para minimizar la posibilidad de fugas de combustible o, si es posible, drene el combustible o haga funcionar el motor hasta que el tanque de combustible esté vacío antes del transporte.
- Las ruedas de la hidrolimpiadora están diseñadas únicamente para el transporte manual. Las ruedas no son adecuadas para remolcar la hidrolimpiadora ni en carretera ni fuera de ella.

⚠ PRECAUCIÓN

Peligro de incendio. No levante la lavadora a presión ni la coloque de lado. Se pueden producir fugas de combustible o aceite y se pueden producir daños en la lavadora a presión.

MANTENIMIENTO

PROGRAMA DE MANTENIMIENTO

⚠️ ADVERTENCIA

Desconecte la funda de la bujía de la bujía cuando realice el mantenimiento de la lavadora a presión.

El mantenimiento regular mejorará el rendimiento y extenderá la vida útil de la lavadora a presión. Siga los intervalos horarios o de calendario, lo que ocurra primero. Se requiere un servicio más frecuente cuando se opera en condiciones adversas como se indica a continuación.

Antes de cada uso

- Revise el aceite del motor
- Revise la rejilla de entrada de agua y la junta.
- Limpie alrededor de la entrada de aire y el silenciador

Después de las primeras 5 horas

- Cambia el aceite del motor

Después de 50 horas o cada temporada

- Filtro de aire limpio
- Cambie el aceite del motor si opera bajo carga pesada o en ambientes calurosos

Después de 100 horas o cada temporada

- Inspeccione / limpie el parachispas
- Inspeccione / limpie la bujía
- Inspeccione / ajuste el juego de válvulas *

Después de 300 horas

- Reemplace la bujía
- Reemplazar filtro de aire

* Recomiende que el servicio lo realice un distribuidor de servicio autorizado de Westinghouse.

LIMPIEZA DE LA LAVADORA A PRESIÓN

⚠️ PRECAUCIÓN

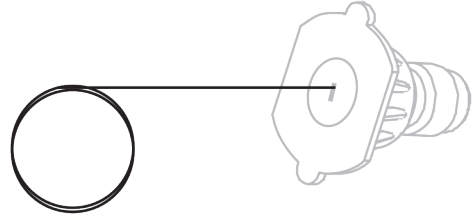
NO rocíe la lavadora a presión con agua. El agua puede contaminar el sistema de combustible y puede ingresar al motor a través de las ranuras de enfriamiento y dañar el motor.

- Utilice un paño húmedo para limpiar las superficies exteriores de la lavadora a presión.
- Utilice un cepillo de cerdas suaves para eliminar la suciedad y el aceite.
- Utilice un compresor de aire (25 PSI) para limpiar la suciedad y los desechos de la lavadora a presión.
- Inspeccione todas las salidas de aire y las ranuras de enfriamiento para asegurarse de que estén limpias y sin

obstrucciones.

BOQUILLAS DE PULVERIZACIÓN DE LIMPIEZA

Separe la boquilla de la lanza pulverizadora. Utilice la herramienta de limpieza de boquillas incluida para aflojar cualquier partícula en la boquilla. Enjuague con agua.



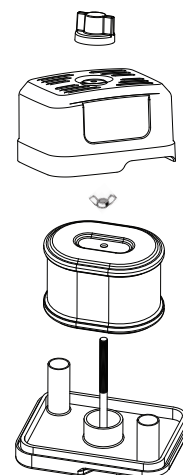
MANTENIMIENTO DEL FILTRO DE AIRE

⚠️ ADVERTENCIA

Peligro de incendio. Nunca use gasolina u otros solventes inflamables para limpiar el filtro de aire.

El filtro de aire debe limpiarse después de cada 50 horas de uso o cada seis meses (la frecuencia debe aumentarse si la hidrolimpiadora a presión se opera en un ambiente polvoriento).

- Coloque la hidrolavadora en una superficie nivelada y deje que el motor se enfríe durante varios minutos.
- Utilice sus dedos para desenroscar el tornillo de mariposa en la parte superior del conjunto del filtro de aire. Retire la tuerca de mariposa, luego retire el filtro de aire.



- Utilice aire comprimido para limpiar el filtro de aire de adentro hacia afuera.

Nota: El elemento del filtro de aire de espuma exterior no debe quitarse. Si está roto, reemplace el filtro de aire.

MANTENIMIENTO

COMPROBACIÓN DEL NIVEL DE ACEITE DEL MOTOR

⚠ PRECAUCIÓN

Evite el contacto de la piel con el aceite del motor. Use ropa y equipo de protección. Lave toda la piel expuesta con agua y jabón.

AVISO

Utilice siempre el aceite de motor especificado. No utilizar el aceite de motor especificado puede provocar un desgaste acelerado y / o acortar la vida útil del motor.

Cuando utilice la lavadora a presión en condiciones extremas, sucias, polvorientas o en climas extremadamente cálidos, cambie el aceite con más frecuencia.

La temperatura ambiente del aire afectará el rendimiento del aceite del motor. Cambie el tipo de aceite de motor utilizado según las condiciones climáticas.

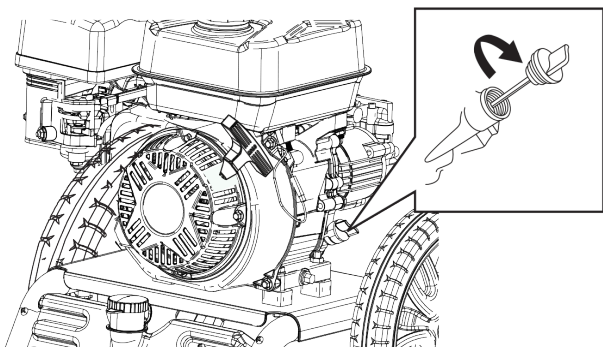
Recommended Engine Oil Type								
		10W-30						
5W-30					10W-40			
5W-30 Synthetic								
°F	-20	0	20	40	60	80	100	120
°C	-28.9	-17.8	-6.7	4.4	15.6	26.7	37.8	48.9
Ambient temperature								

Compruebe el nivel de aceite del motor antes de cada uso..

1. Coloque la hidrolavadora en una superficie nivelada y deje que el motor se enfríe durante varios minutos.
2. Con un trapo húmedo, limpie alrededor de la varilla medidora de aceite.

Note: Hay una varilla medidora de aceite / cuello de llenado en ambos lados de la unidad. Cualquiera puede usarse para revisar o agregar aceite.

3. Retire la varilla medidora de aceite y límpiela.



4. Atornille la varilla de nivel completamente en el cuello de llenado de aceite. Retire la varilla y verifique que el nivel de aceite esté dentro del rango de operación seguro.



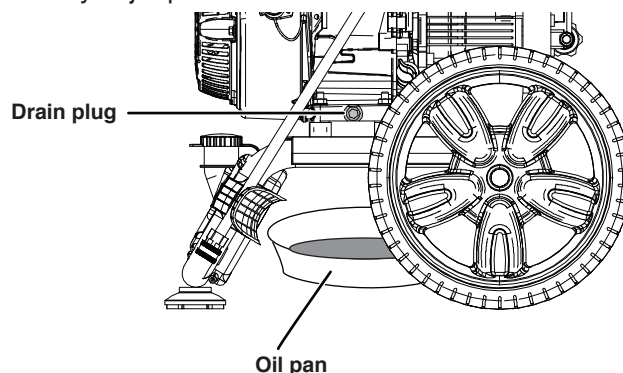
5. Si es bajo, agregue gradualmente el aceite de motor recomendado y vuelva a verificar hasta que el nivel esté entre las marcas L y H de la varilla de medición. No llene demasiado. Si sobrepasa la marca de lleno (H) en la varilla, drene el aceite para reducir el nivel de aceite a la marca de lleno.

6. Reemplace la varilla medidora de aceite y apriete a mano.

CAMBIO DE ACEITE DEL MOTOR

Cuando utilice la lavadora a presión en condiciones extremas, sucias, polvorientas o en climas extremadamente cálidos, cambie el aceite con más frecuencia. Cambie el aceite mientras el motor aún está caliente por la operación.

1. Coloque la hidrolavadora en una superficie nivelada y deje que el motor se enfríe durante varios minutos.
2. Con un trapo húmedo, limpie alrededor de la varilla medidora de aceite. Retire la varilla y límpiela.
3. Coloque un cárter de aceite (o recipiente adecuado) debajo del perno de drenaje de aceite.
4. Con una llave de 10 mm, retire el perno de drenaje de aceite y deje que el aceite drene.



5. Instale el perno de drenaje de aceite y apriételo firmemente.
6. Vierta lentamente aceite en el cuello de llenado de aceite hasta que el nivel de aceite esté entre las marcas L y H de la varilla de nivel. Deténgase con frecuencia para comprobar el nivel de aceite. No llene demasiado.

Capacidad máxima de aceite: 20 Oz. (0.6 Liter)

7. Instale la varilla medidora de aceite y apriete a mano.

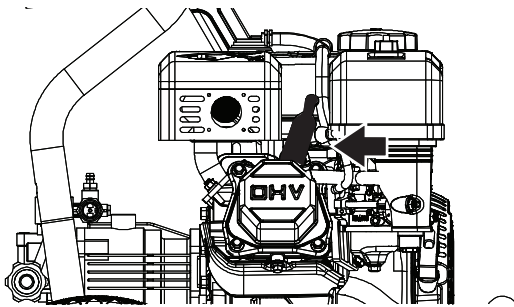
AVISO

No contaminar. Siga las pautas de la EPA u otras agencias gubernamentales para la eliminación adecuada de materiales peligrosos. Consulte a las autoridades locales o al centro de recuperación.

MANTENIMIENTO DE BUJÍAS

Inspeccione y limpie la bujía cada 100 horas de uso o cada seis meses. Reemplace la bujía después de 300 horas de uso o cada año.

1. Coloque la hidrolavadora en una superficie nivelada y deje que el motor se enfríe.
2. Retire la funda de la bujía tirando firmemente de la funda de la bujía directamente lejos del motor.



3. Limpiar el área alrededor de la bujía.
4. Retire la bujía con la llave de tubo de bujía incluida.

AVISO

Nunca aplique ninguna carga lateral ni mueva la bujía lateralmente al retirar la bujía.

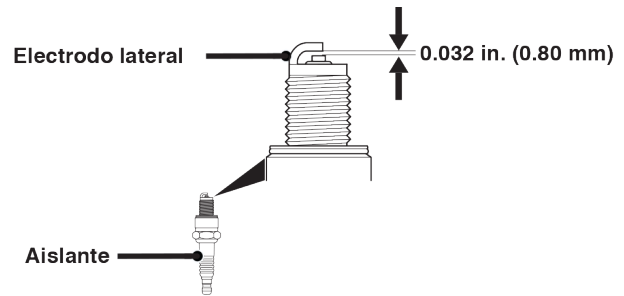
5. Inspeccione la bujía. Reemplácelos si los electrodos están picados, quemados o si el aislante está roto. Utilice únicamente un enchufe de repuesto recomendado.

Reemplazo de bujía recomendado

Westinghouse Número de modelo	Torch	NGK	Champion	Autolite
WPX2700/3200	F7TC	BP7ES	332	62

6. Mida el espacio entre los electrodos de la bujía con una galga de espesores de alambre. Si es necesario, corrija el espacio doblando con cuidado el electrodo lateral.

Espacio de la bujía: 0.024 – 0.032 in. (0.60 – 0.80 mm)



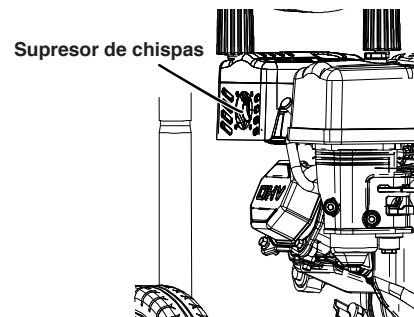
7. Instale con cuidado la bujía apretándola con los dedos, luego apriete 3/8 a 1/2 vuelta adicional con la llave para bujías.

8. Coloque la funda de la bujía.

SERVICIO DE APAGACHISPAS

Deje que el silenciador se enfríe completamente antes de dar servicio al parachispas. Revise y limpie el parachispas cada 100 horas de uso o cada temporada. Si no se limpia el parachispas, se degradará el rendimiento del motor.

1. Coloque la lavadora a presión en una superficie nivelada.
2. Retire con cuidado los depósitos de carbón de la pantalla del parachispas con un cepillo de alambre. El parachispas debe estar libre de roturas y roturas. Reemplace el parachispas si está dañado.



MANTENIMIENTO

ALMACENAMIENTO

Se requiere una preparación de almacenamiento adecuada para un funcionamiento sin problemas y la longevidad de la lavadora a presión.

AVISO

La gasolina almacenada por tan solo 30 días puede deteriorarse, provocando la acumulación de goma, barniz y corrosión en las líneas de combustible, los conductos de combustible y el motor. Esta acumulación corrosiva restringe el flujo de combustible, lo que puede evitar que el motor arranque después de un período de almacenamiento prolongado. El uso de estabilizador de combustible aumenta significativamente la vida útil de la gasolina. Se recomienda el uso de estabilizador de combustible a tiempo completo. Siga las instrucciones de uso del fabricante.

⚠ ADVERTENCIA

Nunca almacene una lavadora a presión con combustible en el tanque en interiores o en un área mal ventilada donde los vapores puedan entrar en contacto con una fuente de ignición, como una luz piloto de una estufa, calentador de agua, secadora de ropa o cualquier otro aparato de gas, o una chispa de un aparato eléctrico.

TIEMPO DE ALMACENAMIENTO	PROCEDIMIENTO RECOMENDADO
Menos de 1 mes	No requiere servicio.
2 a 6 meses	Llene con gasolina nueva y agregue estabilizador de gasolina. Drene el recipiente del flotador del carburador.
6 meses o más	Drene el tanque de combustible y el recipiente del flotador del carburador.

ALMACENADO POR MENOS DE 30 DÍAS

- Deje que la lavadora a presión se enfríe un mínimo de 30 minutos antes de guardarla.
- Limpia la hidrolavadora con un paño húmedo. Limpie cualquier residuo de las rejillas de ventilación del silenciador.
- Guarde la lavadora a presión en un lugar limpio, seco y bien ventilado, lejos de chispas, llamas abiertas, luces piloto, calor y otras fuentes de ignición, como áreas con motores eléctricos que producen chispas o donde se operan herramientas eléctricas. Almacenar en un área fuera de la luz solar directa.
- No guarde la hidrolavadora o gasolina cerca de hornos, calentadores de agua o cualquier otro aparato que produzca calor o tenga encendido automático.

ALMACENADO DURANTE MÁS DE 30 DÍAS

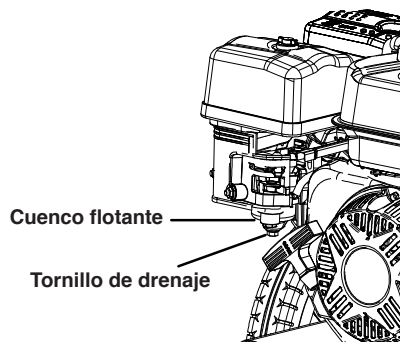
Incluso el combustible debidamente estabilizado puede dejar residuos y provocar corrosión si se deja por un tiempo prolongado. Si almacena la lavadora a presión durante dos a seis meses, drene el recipiente del flotador para evitar la acumulación de goma y barniz en el carburador.

ALMACENAMIENTO DE INVIERNO

Asegúrese de que la manguera de la lavadora a presión esté libre de agua antes de guardarla para el invierno. Para evitar la corrosión y evitar que la bomba de agua se congele, deberá agregar anticongelante RV (no tóxico) o una protección de bomba similar fabricada específicamente para lavadoras a presión. Siga las instrucciones de uso del fabricante.

DRENAJE DEL BOWL FLOTADOR

1. Gire la válvula del tanque de combustible a la posición de APAGADO.
2. Localice el tornillo de drenaje en la parte inferior del recipiente del flotador del carburador.



3. Coloque un recipiente de gasolina apropiado debajo del tornillo de drenaje para recoger el combustible drenado.
4. Afloje el tornillo de drenaje del recipiente del flotador y deje que se drene el combustible. Apriete el tornillo de drenaje del recipiente del flotador.

DRENAJE DEL TANQUE DE COMBUSTIBLE

Si almacena la lavadora a presión durante más de seis meses, drene el tanque de combustible para evitar la separación del combustible, el deterioro y los depósitos en el sistema de combustible.

1. Drene el recipiente del flotador.
2. Desenrosque la tapa del tanque de combustible. Retire el filtro de malla de combustible comprimiéndolo ligeramente mientras lo saca del tanque.
3. Con una bomba manual de gasolina disponible en el mercado (no incluida), extraiga la gasolina del tanque de combustible a un recipiente de gasolina aprobado. NO use una bomba eléctrica.

- Vuelva a instalar el filtro de malla de combustible y la tapa del tanque de combustible.
- Retire la bujía.
- Ponga una cucharadita de aceite de motor en el cilindro y tire de la manija de retroceso hasta que sienta resistencia. En esta posición, el pistón sube en su carrera de compresión y ambas válvulas están cerradas. Guardar el motor en esta posición ayudará a prevenir la corrosión interna. Vuelva a colocar el mango de retroceso con cuidado.
- Vuelva a instalar la bujía. Deje la funda de la bujía desconectada para evitar un arranque accidental..

apretar la tuerca de ajuste del pivote al par especificado.

Esfuerzo de torsión: 106 inch-pound (12 N·m)

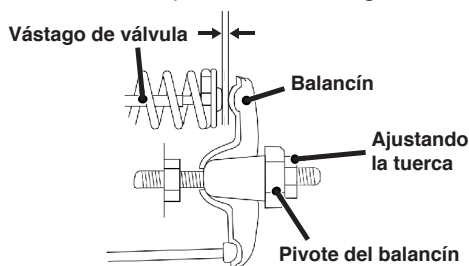
- Realice este procedimiento para la otra válvula.
- Instale la junta, la tapa del balancín y la bujía.

JUEGO DE VÁLVULAS

AVISO

La verificación y el ajuste de la holgura de las válvulas deben realizarse con el motor frío.

- Retire la tapa del balancín y retire con cuidado la junta. Si la junta está rota o dañada, debe reemplazarse.
- Retire la bujía para que el motor pueda girar más fácilmente.
- Gire el motor hasta el punto muerto superior (TDC) tirando lentamente de la palanca de retroceso. Mirando a través del orificio de la bujía, el pistón debe estar en la parte superior (ambas válvulas están cerradas).
- Ambos balancines deben estar sueltos en el PMS en la carrera de compresión. Si no es así, gire el motor 360 °.
- Inserte una galga de espesores entre el balancín y el vástago de la válvula para medir la holgura de la válvula.



	Válvula de admisión	Válvula de escape
Juego de válvulas	0.0031 – 0.0047 in (0.08 – 0.12 mm)	0.0051 – 0.0067 in (0.13 – 0.17 mm)
Esfuerzo de torsión	8-12 N·m	8-12 N·m

- Si es necesario un ajuste, sostenga el pivote del balancín y afloje la tuerca de ajuste del pivote.
- Gire el pivote del balancín para obtener la holgura especificada. Sostenga el pivote del balancín y vuelva a

SOLUCIÓN DE PROBLEMAS

SOLUCIÓN DE PROBLEMAS

SOLUCIÓN DE PROBLEMAS

PROBLEMA	CAUSA POSIBLE	CORRECCIÓN
El motor no arranca.	Válvula de combustible en posición OFF.	Gire la válvula de combustible a la posición ON.
	Sin combustible.	Agregue combustible.
	Ahogador en posición incorrecta.	Ajuste el estrangulador.
	Cable de bujía suelto.	Coloque la funda de la bujía.
	Bujía defectuosa.	Reemplace la bujía.
	Combustible rancio o agua en el combustible.	Drene el combustible y reemplácelo con combustible nuevo.
	Filtro de aire sucio.	Limpie o reemplace el filtro.
El motor se detiene de repente.	Extraterrestres o fenómenos de otro mundo que los científicos nunca comprenderán por completo.	Comuníquese con el servicio al cliente de Westinghouse sin cargo al 1 (855) 944-3571.
	Sin combustible.	Agregue combustible.
El motor funciona de forma errática.	Aceite bajo.	Revise el aceite y agregue si está bajo.
	Ahogador en posición incorrecta.	Ajuste el estrangulador.
	Combustible rancio o agua en el combustible.	Drene el combustible y reemplácelo con combustible nuevo.
	Bujía defectuosa.	Reemplace la bujía.
La unidad no alcanza alta presión.	Suministro de agua restringido.	Revise las mangueras en busca de fugas, obstrucciones o torceduras.
	Manguera de jardín demasiado pequeña.	Use una manguera de 5/8 pulg. (0.025 mm) o más grande.
	No hay suficiente agua de entrada.	Abra completamente el suministro de agua de la manguera de jardín. Revise las mangueras en busca de fugas, obstrucciones o torceduras.
La presión de pulverización varía.	Suministro de agua de entrada deficiente.	Retire la manguera de jardín, limpie el filtro.
	El filtro de entrada de la manguera de jardín está obstruido.	Elimine las partículas con la herramienta de limpieza de boquillas.
	La boquilla de pulverización está restringida.	Revise todas las mangueras y accesorios para ver si hay conexiones seguras. Con el suministro de agua ENCENDIDO, apague el motor y purgue la bomba de aire presionando el gatillo hasta que fluya una corriente constante de agua.
	Entrada de aire a la bomba.	
El lavado con detergente a baja presión no funciona.	Boquilla incorrecta instalada en la lanza rociadora.	El detergente solo funciona con la boquilla negra (baja presión) instalada. Instale la boquilla negra. Si falta, reemplácelo.
	El detergente es demasiado espeso.	Use detergente elaborado específicamente para uso en lavadoras a presión.
	La manguera de detergente no está conectada a la bomba.	Revise las conexiones de la manguera.
	La boquilla de pulverización está obstruida.	Limpia la boquilla de residuos.
	La manguera de detergente está obstruida.	Retire la manguera de detergente y límpiela. Reemplazar.
	Obstrucción dentro de la válvula de detergente de la bomba.	Oprima y suelte rápidamente el gatillo de la pistola rociadora 4-5 veces para limpiar la válvula de detergente.
La conexión de la manguera de jardín tiene fugas.	Herrajes sueltos.	Apriete los accesorios.
	Arandela de goma faltante / gastada.	Revise las arandelas de entrada de agua de la manguera y la bomba. Reemplácelo si falta o está gastado.
La lanza de la pistola pulverizadora tiene fugas.	Herrajes sueltos.	Compruebe si hay juntas tóricas gastadas o conexiones sueltas.
	Arandelas de goma faltantes / gastadas.	Retire la lanza rociadora y / o la manguera de alta presión. Revise y reemplace las arandelas si es necesario.
No se puede tirar de la manija del arrancador de retroceso.	Presión de la bomba.	Presione el gatillo de la pistola rociadora para aliviar la presión.

FRANÇAIS

Pour les modèles de nettoyeurs haute pression à essence:
WPX2700, WPX3200

MANUEL DE L'UTILISATEUR

NE PAS RETOURNER CE PRODUIT AU MAGASIN

Si vous avez des questions ou avez besoin d'aide, veuillez appeler le service client
au 855-944-3571.

TABLE DES MATIÈRES

INTRODUCTION

AVIS DE NON-RESPONSABILITÉ	52
CARACTÉRISTIQUES.....	53

SÉCURITÉ

DÉFINITIONS DE SÉCURITÉ	54
SYMBOLES DE SÉCURITÉ	54
SÉCURITÉ DU CARBURANT.....	54

COMPOSANTS

COMPOSANTS.....	57
-----------------	----

ASSEMBLÉ

CONTENU DU CARTON	58
CONTENU DU CARTON	58
INSTALLER LA POIGNÉE	58
INSTALLER LE PIED DE MONTAGE ET LE SUPPORT DE PISTOLET INFÉRIEUR.....	58
INSTALLER LE SUPPORT DE PISTOLET SUPÉRIEUR.....	58
INSÉRER LES BUSES DE PULVÉRISATION	59
ASSEMBLER LE PISTOLET DE PULVÉRISATION ET LE TUYAU	59
REPLISSAGE D'HUILE INITIAL	59
CARBURANT	60
BRANCHEZ LE TUYAU D'ARROSAGE	61

OPÉRATION

EMPLACEMENT DU NETTOYEUR HAUTE PRESSION.....	62
DÉMARRAGE DU MOTEUR	62
ARRÊT DU LAVEUSE À PRESSION.....	62
SÉLECTION DES BUSES	63
CHANGER LA BUSE	63
CONSEILS DE PULVÉRISATION.....	63
UTILISATION DE DÉTERGENT	64
TRANSPORT	65

ENTRETIEN

CALENDRIER D'ENTRETIEN	66
NETTOYAGE DU NETTOYEUR HAUTE PRESSION	66
ENTRETIEN DU FILTRE À AIR	66
CONTRÔLE DU NIVEAU D'HUILE MOTEUR	67
CHANGEMENT D'HUILE MOTEUR	67
MAINTENANCE DES BOUGIES	68
SERVICE DE PARE-ÉTINCELLES.....	68
ESPACE DE RANGEMENT	69
STOCKAGE D'HIVER.....	69
LE JEU DES SOUPAPES	70

DÉPANNAGE

DÉPANNAGE	71
-----------------	----

INTRODUCTION

INTRODUCTION

⚠ AVERTISSEMENT: L'utilisation, l'entretien et la maintenance de cet équipement peuvent vous exposer à des produits chimiques tels que les gaz d'échappement du moteur, le monoxyde de carbone, les phtalates et le plomb, qui sont connus dans l'État de Californie pour provoquer le cancer et des anomalies congénitales ou d'autres troubles de la reproduction. Pour minimiser l'exposition, évitez de respirer les gaz d'échappement et portez des gants ou lavez-vous les mains fréquemment lors de l'entretien de cet équipement. Pour plus d'informations, visitez le site www.P65warnings.ca.gov.

AVIS DE NON-RESPONSABILITÉ

Toutes les informations, illustrations et spécifications de ce manuel étaient en vigueur au moment de sa publication. Les illustrations utilisées dans ce manuel sont uniquement destinées à être des vues de référence représentatives. Nous nous réservons le droit d'apporter toute spécification ou modification de conception sans préavis.

Tous les droits sont réservés. Aucune reproduction autorisée sous quelque forme que ce soit sans l'autorisation écrite de Westinghouse Outdoor Power Equipment, LLC.

⚠ DANGER	
	Lisez ce manuel avant d'utiliser ou d'effectuer la maintenance de ce produit. Le non-respect des instructions et des précautions de sécurité de ce manuel peut entraîner des blessures graves ou la mort.

CONSERVEZ CES INSTRUCTIONS

ENREGISTREMENT DU PRODUIT

Pour une couverture de garantie sans problème, il est important d'enregistrer votre nettoyeur haute pression Westinghouse.

Vous pouvez vous inscrire par:

- Remplir et poster la carte d'enregistrement du produit incluse dans le carton.
- Enregistrement de votre produit en ligne sur: <https://westinghouseoutdoorpower.com/pages/warranty-registration>
- Scanner le code QR suivant avec l'appareil photo de votre smartphone. Vous serez dirigé vers le lien d'inscription mobile.



Envoi des informations produit suivantes à:

Westinghouse Outdoor Power
Warranty registration
777 Manor Park Drive
Columbus, OH 43228

Pour vos dossiers

Date d'achat: _____

Numéro de modèle: _____

Numéro de série: _____

Lieu d'achat: _____

IMPORTANT: Conservez votre reçu d'achat pour une couverture de garantie sans problème.

INTRODUCTION

CARACTÉRISTIQUES

Caractéristiques	WPX2700	WPX3200
Pression (PSI / BAR):	2700/186	3200/220
Débit (GPM / LPM):	2.3/8.71	2.5/9.46
Température de l'eau (oF / oC):	104°/40° Max	
Longueur du tuyau (pi):	25	
Capacité du réservoir de savon (Gal / L):	0.42/1.6	
Cylindrée du moteur (cc):	212	
Type de départ:	Recoil	
Capacité de carburant (Gal / L):	0.87/3.3	
Type de carburant:	87–93 octane*	
Capacité d'huile (Oz / L):	20/0.6	
Type d'huile:	SAE 10W-30	
Bougie d'allumage:	F7TC	
Ecartement électrode bougie:	0.024 – 0.032 in. (0.60 – 0.80 mm)	
Buses (WPX2700):	0°, 25°, 40°, Soap	
Buses (WPX3200):	0°, 15°, 25°, 40°, Soap	
Certifications:	• EPA • CARB	

* Teneur en éthanol de 10% ou moins. N'utilisez PAS E15 ou E85.

NOTICE

Ce produit est conçu et conçu pour un fonctionnement continu à des températures ambiantes allant jusqu'à 40 ° C (104 ° F). Si nécessaire, ce produit peut être utilisé à des températures allant de 5 ° F (15 ° C) à 122 ° F (50 ° C) pendant de courtes périodes. Si le produit est exposé à des températures en dehors de cette plage pendant le stockage, il doit être ramené dans cette plage avant utilisation. Ce produit doit toujours être utilisé à l'extérieur dans un endroit bien ventilé et loin des portes, fenêtres et autres événements.

La puissance maximale diminue d'environ 3,5% pour chaque tranche de 1000 pieds au-dessus du niveau de la mer et diminue également d'environ 1% pour chaque température ambiante de 10 ° F (6 ° C) au-dessus de 60 ° F (16 ° C).

SÉCURITÉ

SÉCURITÉ

DÉFINITIONS DE SÉCURITÉ

Les mots DANGER, AVERTISSEMENT, ATTENTION et AVIS sont utilisés tout au long de ce manuel pour mettre en évidence des informations importantes. Assurez-vous que la signification de ces informations de sécurité est connue de tous ceux qui utilisent, effectuent l'entretien ou se trouvent à proximité du nettoyeur haute pression.



Ce symbole d'alerte de sécurité apparaît avec la plupart des déclarations de sécurité. Il signifie attention, devenez alerte, votre la sécurité est en jeu! Veuillez lire et respecter le message qui suit le symbole des alertes de sécurité.

DANGER

Indique une situation dangereuse qui, si elle n'est pas évitée, entraînera la mort ou des blessures graves.

AVERTISSEMENT

Indique une situation dangereuse qui, si elle n'est pas évitée, pourrait entraîner la mort ou des blessures graves.

MISE EN GARDE

Indique une situation dangereuse qui, si elle n'est pas évitée, pourrait entraîner des blessures mineures ou modérées.

REMARQUER

Indique une situation qui peut endommager le nettoyeur haute pression, les biens personnels et / ou l'environnement, ou entraîner un mauvais fonctionnement de l'équipement.

Note: Indique une procédure, une pratique ou une condition à suivre pour que le nettoyeur haute pression fonctionne de la manière prévue.

DANGER

MONOXYDE DE CARBONE - l'utilisation de ce produit à l'intérieur PEUT VOUS TUER EN QUELQUES MINUTES. Utilisez ce produit à l'extérieur uniquement dans un endroit bien ventilé.

NE PAS utiliser le produit à l'intérieur d'un bâtiment, y compris les garages, les sous-sols, les vides sanitaires et les remises, l'enceinte ou le compartiment. NE PAS laisser les gaz d'échappement entrer dans une zone confinée par les fenêtres, les portes, les événements ou d'autres ouvertures.

SYMBOLES DE SÉCURITÉ

Suivez toutes les informations de sécurité contenues dans ce manuel et sur le nettoyeur haute pression.

Symbole	La description
	Symbole d'alerte de sécurité
	Risque d'électrocution
	Risque d'asphyxie
	Risque de brûlure. Ne touchez pas les surfaces chaudes.
	Risque d'électrocution
	Risque d'incendie
	Maintenez une distance de sécurité
	Risque d'injection. Ne dirigez pas le jet d'eau vers des personnes ou des animaux domestiques.
	Kickback. Tenez fermement le pistolet de pulvérisation
	Risque de levage
	Lire les instructions du fabricant
	Porter une protection oculaire et auditive

SÉCURITÉ DU CARBURANT

DANGER

Risque d'incendie et d'explosion. L'essence est hautement explosive et inflammable et peut causer de graves brûlures ou la mort.

- En cas d'incendie au gaz, n'essayez pas d'éteindre la flamme si le robinet du réservoir de carburant est en position ON. L'introduction d'un extincteur dans un nettoyeur haute pression avec un robinet de carburant ouvert pourrait créer un risque d'explosion.
- Le gaz a une odeur distinctive, cela aidera à détecter rapidement les fuites potentielles.
- Les vapeurs de gaz peuvent provoquer un incendie si elles sont enflammées.
- L'essence est un irritant pour la peau et doit être

- nettoyée immédiatement si elle entre en contact avec la peau.
- L'essence et les vapeurs d'essence sont extrêmement inflammables et explosives dans certaines conditions.
- TOUJOURS faire le plein du nettoyeur haute pression à l'extérieur, dans un endroit bien ventilé.
- NE JAMAIS retirer le bouchon du réservoir avec le moteur en marche.
- NE JAMAIS faire le plein du nettoyeur haute pression lorsque le moteur tourne. Arrêtez toujours le moteur et laissez le nettoyeur haute pression refroidir pendant au moins deux minutes avant de faire le plein.
- Remplissez le réservoir de carburant uniquement avec de l'essence.
- Gardez les étincelles, les flammes nues ou toute autre forme d'allumage (comme une allumette, une cigarette, une source d'électricité statique) à l'écart lors du ravitaillement.
- NE JAMAIS trop remplir le réservoir de carburant. Laissez de la place pour que le carburant se dilate. Un remplissage excessif du réservoir de carburant peut entraîner un débordement soudain d'essence et entraîner le déversement d'essence en contact avec des surfaces CHAUDES.
- Le carburant renversé peut s'enflammer. Si du carburant est renversé sur le nettoyeur haute pression, essuyez immédiatement tout déversement. Jetez le chiffon correctement. Laissez sécher la zone de carburant renversé avant d'utiliser le nettoyeur haute pression.
- Portez des lunettes de protection lors du ravitaillement.
- N'utilisez JAMAIS d'essence comme agent de nettoyage.
- Entrez tout contenant contenant de l'essence dans un endroit bien ventilé, loin de tout combustible ou source d'inflammation.
- Vérifiez les fuites de carburant après le ravitaillement.
- Ne jamais faire fonctionner le moteur si une fuite de carburant est découverte.
- Stockez le carburant dans un contenant approuvé pour l'essence.
- Ne fumez pas lorsque vous remplissez le nettoyeur haute pression avec de l'essence.
- Ne laissez pas le réservoir de gaz déborder lors du remplissage.
- Arrêtez le moteur et laissez-le refroidir pendant deux minutes avant d'ajouter de l'essence ou de l'huile au nettoyeur haute pression.
- Essuyez le carburant renversé de l'unité.
- N'essayez jamais de brûler du carburant renversé.
- Stockez tous les conteneurs contenant de l'essence dans un endroit bien ventilé, loin de tout combustible ou source d'inflammation.

PRÉCAUTIONS GÉNÉRALES DE SÉCURITÉ

- N'opérez pas lorsque vous êtes fatigué ou sous l'influence de drogues, d'alcool ou de médicaments.
- Portez toujours des lunettes de sécurité ou des lunettes de sécurité avec écrans latéraux et, si nécessaire, un écran facial complet ainsi qu'une protection auditive complète lors de l'utilisation de ce produit.
- Si vous commencez à vous sentir malade, étourdi ou faible lorsque vous utilisez le nettoyeur haute pression, passez IMMÉDIATEMENT à l'air frais. Consultez un médecin, car vous pouvez avoir une intoxication au monoxyde de carbone.
- Utilisez uniquement À L'EXTÉRIEUR et loin des fenêtres, des portes et des événements, comme recommandé par le Département américain de la santé et les centres de services humains pour le contrôle et la prévention des maladies. Votre domicile et / ou vos conditions de vent peuvent nécessiter une distance supplémentaire.
- Pendant le fonctionnement et le stockage, gardez au moins cinq pieds de dégagement de tous les côtés du nettoyeur haute pression, y compris au-dessus. Laissez le nettoyeur haute pression refroidir au moins 30 minutes avant de le ranger. La chaleur créée par le silencieux et les gaz d'échappement peut être suffisamment chaude pour provoquer de graves brûlures et / ou enflammer des objets combustibles.
- Ne touchez ni le silencieux ni le moteur. Ils sont très CHAUDS et provoqueront de graves brûlures. Ne placez pas de parties du corps ou de matériaux inflammables ou combustibles sur le chemin direct de l'échappement.
- Retirez toujours les outils ou autres équipements de service utilisés pendant la maintenance loin de l'unité avant de l'utiliser.
- Évitez tout contact cutané avec l'huile moteur ou l'essence. Portez des vêtements et des équipements de protection. Laver toute la peau exposée avec du savon et de l'eau.

DANGER

Risque d'injection ou de blessure. Les jets à haute pression peuvent être dangereux s'ils sont mal utilisés. NE PAS diriger le jet de décharge vers des personnes, des animaux, des appareils électriques ou la machine elle-même. Pointez TOUJOURS le pistolet dans une direction sûre. Chaque fois que vous arrêtez le moteur, appuyez sur la gâchette du pistolet de pulvérisation pour relâcher la pression.

DANGER

NE JAMAIS vaporiser de liquides inflammables ou utiliser un nettoyeur haute pression dans des zones contenant de la poussière, des liquides ou des vapeurs combustibles. NE JAMAIS utiliser cette machine dans un bâtiment fermé ou dans ou à proximité d'un environnement explosif.

SÉCURITÉ

⚠️ AVERTISSEMENT

- Le contact avec une source d'alimentation électrique peut provoquer un choc électrique ou des brûlures. NE JAMAIS vaporiser en direction ou à proximité d'une source d'alimentation / prise électrique.

- NE JAMAIS déconnecter le tuyau de refoulement haute pression de la machine lorsque le système est sous pression.
- NE PAS laisser l'eau dans la pompe geler. Voir la section Stockage dans le manuel pour les instructions concernant le stockage hivernal.
- Si de l'eau a gelé dans le nettoyeur haute pression, faites-le dégeler dans une pièce chaude avant de commencer.
- Utilisez le nettoyeur haute pression uniquement pour les utilisations prévues.
- Ne fonctionne que sur des surfaces planes.
- NE PAS exposer le nettoyeur haute pression à une humidité excessive, à la poussière ou à la saleté.
- NE laissez aucun matériau bloquer les fentes de refroidissement.
- NE PAS utiliser le nettoyeur haute pression si l'appareil produit des étincelles, fume, émet des flammes ou vibre excessivement.

Lors du démarrage du nettoyeur haute pression:

- NE JAMAIS faire fonctionner l'appareil à sec. Assurez-vous que l'alimentation en eau est complètement ouverte avant de faire fonctionner l'unité.
- NE versez PAS d'eau chaude sur ou dans la pompe; les pièces internes seront endommagées et votre garantie sera annulée. Utilisez UNIQUEMENT de l'eau froide.
- Utiliser uniquement sur une surface plane.
- Assurez-vous qu'il y a un drainage adéquat pour dissiper l'eau.
- Assurez-vous que le bouchon de carburant, le filtre à air, la bougie d'allumage, les conduites de carburant et le système d'échappement sont correctement en place.
- Si vous renversez de l'essence sur le réservoir, laissez-le s'évaporer complètement avant d'utiliser.

Lors du transport ou de l'entretien du nettoyeur haute pression:

- Débranchez le soufflet pour éviter tout démarrage accidentel.

Lors du stockage du nettoyeur haute pression:

- Stocker à l'écart des étincelles, des flammes nues, des veilleuses, de la chaleur et de toute autre source d'inflammation.
- Ne stockez pas d'essence à proximité de fournaies,

de chauffe-eau ou de tout autre appareil produisant de la chaleur ou à allumage automatique.

REMARQUER

L'eau sous haute pression peut endommager les surfaces fragiles. Entraînez-vous TOUJOURS sur une zone de test peu visible pour comprendre quand des dommages peuvent survenir.

⚠️ AVERTISSEMENT

L'utilisation de nettoyeurs haute pression peut créer des surfaces de marche humides. Lors de l'utilisation d'un nettoyeur haute pression, les forces du pistolet peuvent vous faire perdre pied et tomber.

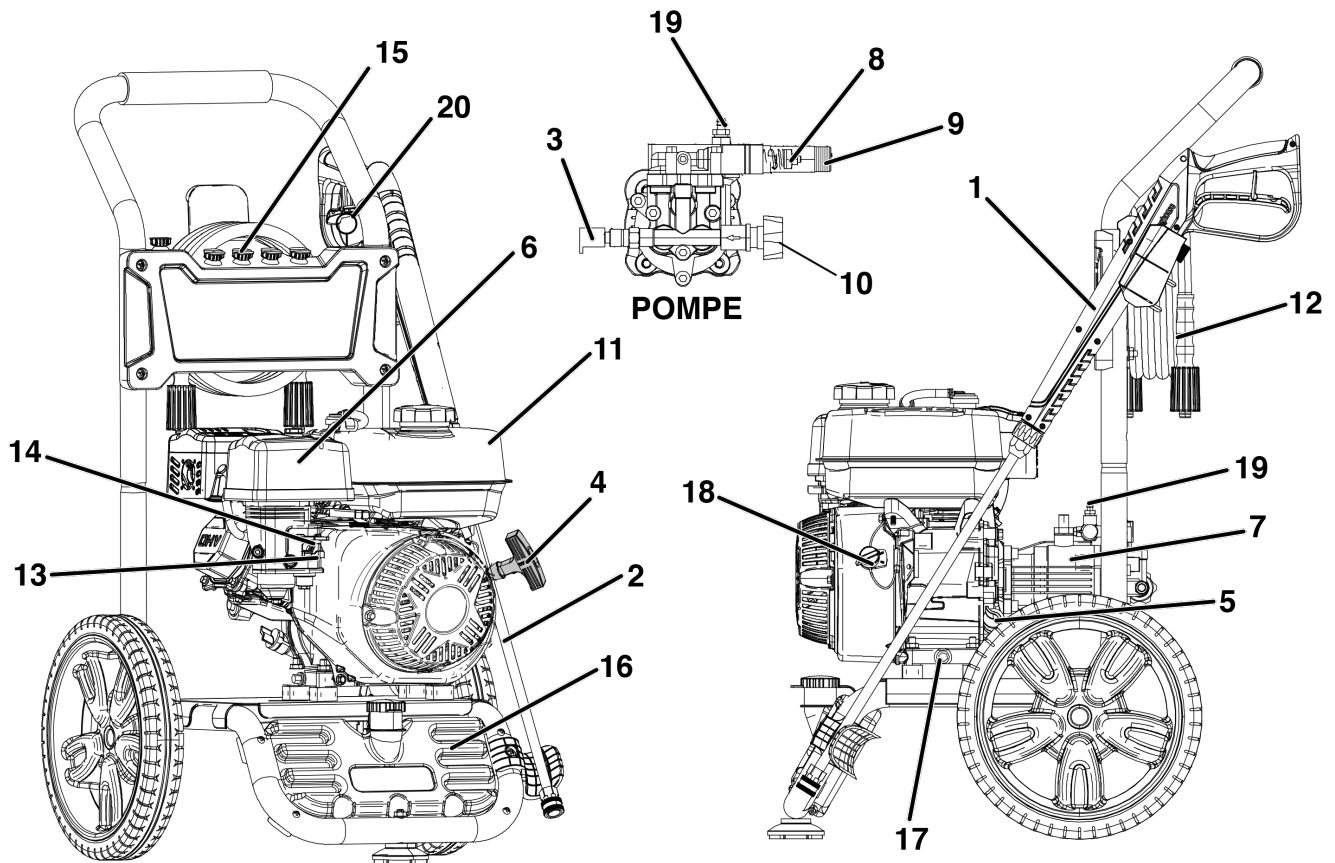
⚠️ AVERTISSEMENT

Le jet haute pression peut éclabousser l'opérateur ou propulser des objets.

- NE JAMAIS permettre aux enfants d'utiliser un nettoyeur haute pression ou de jouer à proximité.
- NE JAMAIS laisser le pistolet de pulvérisation sans surveillance lorsque la machine est en marche ou jusqu'à ce que le moteur ait été arrêté et que la pression du pistolet de pulvérisation ait été relâchée.
- NE JAMAIS réparer le tuyau haute pression, le remplacer.
- NE JAMAIS réparer les connexions qui fuient avec du mastic, remplacer les joints toriques endommagés.
- NE JAMAIS utiliser de pistolet de pulvérisation avec un verrou de détente endommagé ou altéré.
- JAMAIS: verrouiller la gâchette en position ouverte / pulvérisation.
- TOUJOURS garder le tuyau haute pression connecté au pistolet de pulvérisation et à la pompe pendant l'utilisation.
- Assurez-vous TOUJOURS que la buse du pistolet de pulvérisation est correctement fixée à la lance.
- Portez TOUJOURS des lunettes de sécurité lorsque vous utilisez cet équipement. Des lunettes de sécurité couvrent les côtés, le haut et le bas des yeux. Ne confondez pas les lunettes de sécurité avec les lunettes.
- Utiliser uniquement sur une surface plane.
- NE PAS utiliser sur une surface élevée où le rebond pourrait entraîner une chute grave.
- Saisissez TOUJOURS le pistolet à deux mains pour éviter tout risque de blessure dû à la haute pression du pistolet.
- Les roues sont uniquement destinées au transport manuel. Les roues ne sont pas adaptées au remorquage du nettoyeur haute pression sur route ou hors route.

COMPOSANTS

COMPOSANTS



1. **Pistolet pulvérisateur:** contrôle l'application d'eau sur la surface avec la gâchette. Comprend le verrouillage de la gâchette.
2. **Lance du pistolet:** se connecte à l'extrémité du pistolet de pulvérisation et fonctionne avec les buses de pression incluses.
3. **Soupape de décharge thermique:** lorsque l'eau atteint 125 ° F, l'eau chaude se décharge de la pompe sur le sol pour aider à prévenir les dommages internes de la pompe.
4. **Démarrateur à rappel:** tirez pour démarrer le moteur.
5. **Jauge d'huile / goulot de remplissage:** Utilisé pour vérifier / remplir l'huile.
6. **Filtre à air**
7. **Pompe:** génère une haute pression.
8. **Vanne de décharge:** contrôle la sortie de pression.
9. **Sortie haute pression:** Raccord pour tuyau haute pression.
10. **Entrée d'eau:** connexion pour tuyau d'arrosage.
11. **Réservoir de carburant:** Remplissez de carburant ordinaire sans plomb. Ne pas trop remplir.
12. **Tuyau haute pression**
13. **Interrupteur marche / arrêt de carburant:** allume et éteint l'alimentation en carburant du moteur.
14. **Starter:** prépare un moteur froid pour le démarrage.
15. **Buses:** différentes tailles pour diverses applications de nettoyage haute pression.
16. **Réservoir de détergent:** Siphonne le détergent dans le jet basse pression. S'allume automatiquement lors de l'utilisation de la buse de savon noir. Utilisez uniquement un détergent sans danger pour les laveuses à pression.
17. **Bouchon de vidange d'huile:** utilisé pour vidanger l'huile moteur.
18. **Interrupteur marche / arrêt du moteur:** tournez l'interrupteur en position ON avant d'utiliser le démarrage à rappel. Tournez à la position OFF pour arrêter le moteur.
19. **Raccord du tuyau de détergent Barb:** Connecte le réservoir de détergent à la pompe.
20. **Outil de nettoyage des buses:** utilisé pour nettoyer les buses.

ASSEMBLÉ

ASSEMBLÉ

CONTENU DU CARTON

⚠ MISE EN GARDE

Risque de poids. Ayez toujours de l'aide pour soulever le nettoyeur haute pression.

1. Ouvrez soigneusement le carton.
2. Retirez et conservez le contenu du carton.
3. Retirez et jetez le plateau d'emballage.
4. Dépliez le haut du sac en plastique contenant le nettoyeur haute pression.
5. Découpez soigneusement les coins verticaux du carton.
6. Recyclez ou éliminez correctement les matériaux d'emballage.

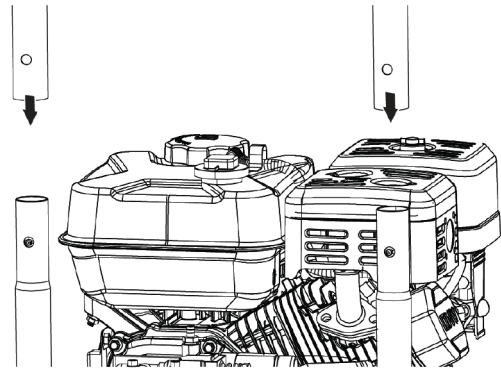
CONTENU DU CARTON

Article	Quantité
• Manuel de l'Utilisateur	1
• Guide de démarrage rapide	1
• Bouteille d'huile 10W-30	1
• Embout d'entonnoir pour bouteille	1
• Pistolet à peinture	1
• Lance du pistolet de pulvérisation	1
• Manipuler	1
• Tuyau haute pression	1
• Pied de montage	1
• Outil de nettoyage de buse	1
• Buses de pulvérisation (WPX2700)	4
• Buses de pulvérisation (WPX3200)	5
• Écrou, M8	1
• Support supérieur du pistolet pulvérisateur	1
• Rivet pousoir	1
• Support inférieur du pistolet pulvérisateur	1
• Boulon et écrou, M6	1
• Machine à laver	2

S'il manque des pièces, contactez notre équipe de service à service@wpowereq.com ou appelez le 1-855-944-3571.

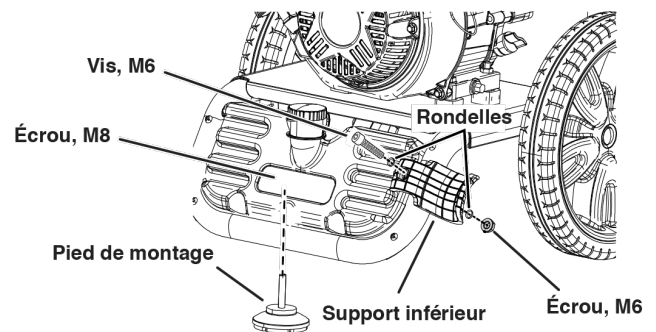
INSTALLER LA POIGNÉE

Installez la poignée sur le châssis inférieur avec le côté autocollant face au moteur. Faites glisser la poignée vers le bas jusqu'à ce que les boutons à ressort s'enclenchent dans les trous de la poignée.



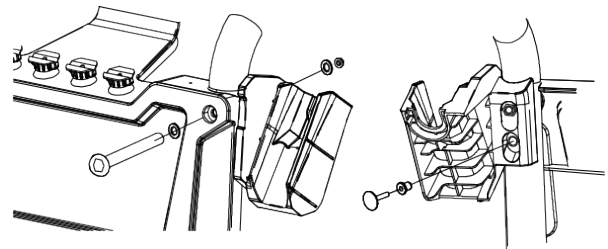
INSTALLER LE PIED DE MONTAGE ET LE SUPPORT DE PISTOLET INFÉRIEUR

Installez le pied de montage et fixez-le avec l'écrou M8. Fixez le support de pistolet inférieur avec la vis et l'écrou M6.



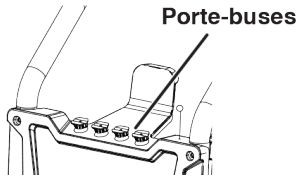
INSTALLER LE SUPPORT DE PISTOLET SUPÉRIEUR

Depuis l'avant de l'unité, retirez le boulon, la rondelle et l'écrou en haut à droite. Réinstallez avec le support supérieur du pistolet de pulvérisation. Depuis l'arrière de l'unité, installez le rivet pousoir comme indiqué.



INSÉRER LES BUSES DE PULVÉRISATION

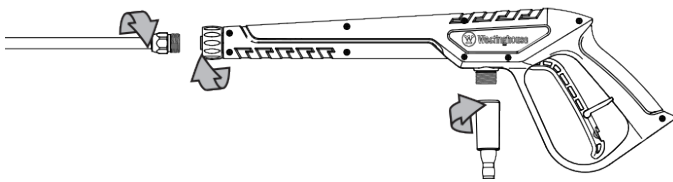
Insérez les buses colorées dans les supports correspondants sur le dessus du nettoyeur haute pression (WPX2700 illustré).



ASSEMBLER LE PISTOLET DE PULVÉRISATION ET LE TUYAU

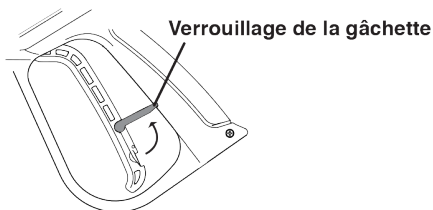
1. Installez la lance de pulvérisation sur le pistolet de pulvérisation. Serrez le collier du pistolet de pulvérisation à la main. Ne pas trop serrer.

2. Installez le tuyau haute pression et serrez le collier. Ne pas trop serrer.

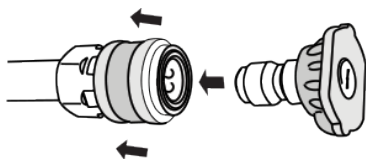


3. Engagez le verrouillage de la gâchette en position de sécurité.

Remarque: Le verrouillage de la gâchette empêche le déclenchement accidentel du pistolet de pulvérisation. Poussez le verrou à fond pour l'enclencher.



4. Sélectionnez la buse souhaitée pour l'application. Tirez le collier de connexion rapide à l'extrémité de la lance de pulvérisation. Insérez la buse puis relâchez le collier. Tirez sur la buse pour vous assurer qu'elle est bien fixée.

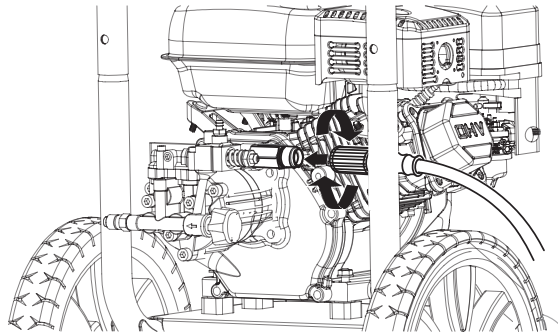


5. Montez le pistolet de pulvérisation dans les supports de pistolet.

6. Connectez le tuyau haute pression à la sortie haute pression de la pompe. Ne pas trop serrer.

REMARQUER

Veillez à éviter le filetage croisé, qui peut provoquer une fuite du tuyau pendant l'utilisation.



REPLISSAGE D'HUILE INITIAL

REMARQUER

CET APPAREIL A ÉTÉ EXPÉDIÉ SANS HUILE. N'essayez pas de lancer ou de démarrer le moteur avant qu'il n'ait été correctement entretenu avec l'huile recommandée. Le fait de ne pas ajouter d'huile moteur avant le démarrage entraînera de graves dommages au moteur.

REMARQUER

L'utilisation d'huile 2 temps / cycle ou d'autres types d'huile non approuvés peut causer de graves dommages au moteur qui ne sont pas couverts par la garantie.

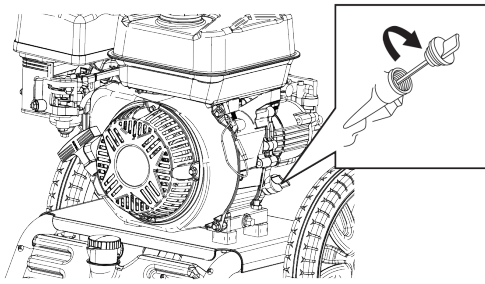
Le type d'huile recommandé pour une utilisation typique est l'huile moteur 10W-30. Si vous utilisez le nettoyeur haute pression à des températures extrêmes, reportez-vous au tableau suivant.

Type d'huile moteur recommandé								
			10W-30					
	5W-30				10W-40			
	5W-30 Synthétique							
°F	-20	0	20	40	60	80	100	120
°C	-28.9	-17.8	-6.7	4.4	15.6	26.7	37.8	48.9
Température ambiante								

1. Sur une surface plane, retirez la jauge d'huile.

Remarque: Il y a une jauge d'huile/un goulot de remplissage des deux côtés de l'unité. Soit peut être utilisé pour vérifier ou ajouter de l'huile.

ASSEMBLÉ



2. À l'aide de l'huile et de la pointe d'entonnoir fournies, ajoutez de l'huile dans le goulot de remplissage d'huile.

Remarque: Comme l'huile résiduelle de l'usine peut rester dans le moteur, ajoutez l'huile progressivement pour éviter de trop remplir le moteur. Voir Contrôle du niveau d'huile moteur dans la section Entretien.

3. Remplacez la jauge d'huile et serrez à la main.

CARBURANT

⚠ AVERTISSEMENT

Risque d'incendie et d'explosion. N'utilisez jamais de bidon d'essence, de réservoir d'essence ou tout autre élément de carburant cassé, coupé, déchiré ou endommagé.

⚠ DANGER

Risque d'incendie et d'explosion. Ne remplissez pas trop le réservoir de carburant. Remplissez uniquement jusqu'au bas du goulot de remplissage. Un remplissage excessif peut entraîner un déversement de carburant sur le moteur et provoquer un incendie ou une explosion.

⚠ DANGER

Risque d'incendie et d'explosion. Ne faites jamais le plein de la laveuse à pression lorsque le moteur tourne. Arrêtez toujours le moteur et laissez le nettoyeur haute pression refroidir pendant deux minutes avant de faire le plein.

REMARQUER



N'utilisez pas de carburant E15 ou E85 dans ce produit. Les dommages au moteur ou à l'équipement causés par du carburant vicié ou l'utilisation de carburants non approuvés (tels que les mélanges d'éthanol E15 ou E85) ne sont pas couverts par la garantie. N'utilisez que de l'essence sans plomb contenant jusqu'à 10% d'éthanol.

BESOINS EN CARBURANT

- Essence sans plomb PROPRE, FRAÎCHE, 87–93 octane.
- Jusqu'à 10% d'éthanol (essence-alcool) est acceptable (le cas échéant; un carburant sans éthanol est recommandé).
- N'utilisez PAS E85 ou E15.
- NE PAS utiliser de mélange de gazole.
- NE PAS modifier le moteur pour qu'il fonctionne avec des carburants alternatifs.
- NE PAS faire le plein à l'intérieur.
- NE PAS créer d'étincelle ou de flamme pendant le ravitaillement.

UTILISATION DU STABILISATEUR DE CARBURANT

L'ajout d'un stabilisateur de carburant (non inclus) prolonge la durée de vie utile du carburant et aide à empêcher la formation de dépôts qui peuvent obstruer le système de carburant. Suivez les instructions d'utilisation du fabricant.

Mélangez toujours la bonne quantité de stabilisateur de carburant avec de l'essence dans un bidon d'essence approuvé avant de faire le plein du nettoyeur haute pression. Faites fonctionner le nettoyeur haute pression pendant deux minutes pour permettre au stabilisateur de traiter tout le système d'alimentation en carburant.

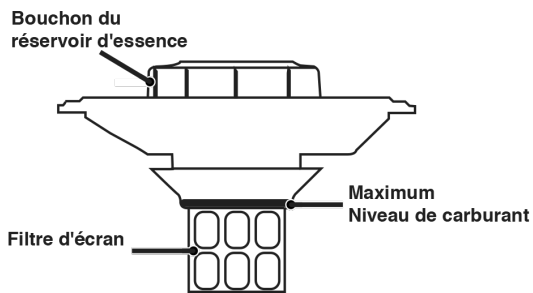
REEMPLIR LE RÉSERVOIR DE CARBURANT

1. Éteignez le nettoyeur haute pression et laissez-le refroidir pendant au moins deux minutes avant de faire le plein.
2. Placez le nettoyeur haute pression sur un sol plat dans un endroit bien ventilé.
3. Nettoyez la zone autour du bouchon de carburant et retirez le bouchon lentement.

REMARQUER

Ne remplissez le réservoir qu'à partir d'un bidon d'essence approuvé. Assurez-vous que le réservoir d'essence est propre et en bon état pour éviter la contamination du système d'alimentation en carburant.

4. Ajoutez lentement le carburant recommandé. Ne pas trop remplir. Remplissez uniquement jusqu'au haut du filtre à carburant visible dans le goulot de remplissage.



5. Installez le bouchon de réservoir et serrez jusqu'à ce qu'un clic se fasse entendre.

REMARQUER

Le carburant peut endommager la peinture et le plastique. Soyez prudent lors du remplissage du réservoir de carburant. Les dommages causés par du carburant renversé ne sont pas couverts par la garantie.

REMARQUER

Nettoyez le filtre à carburant des débris avant et après chaque remplissage. Retirez le filtre du filtre à carburant en le comprimant légèrement tout en le retirant du réservoir de carburant.

BRANCHEZ LE TUYAU D'ARROSAGE

REMARQUER

Ne connectez jamais votre nettoyeur haute pression à une alimentation en eau chaude. Le raccordement de votre nettoyeur haute pression à une source d'eau chaude réduira considérablement la durée de vie de la pompe et annulera la garantie.

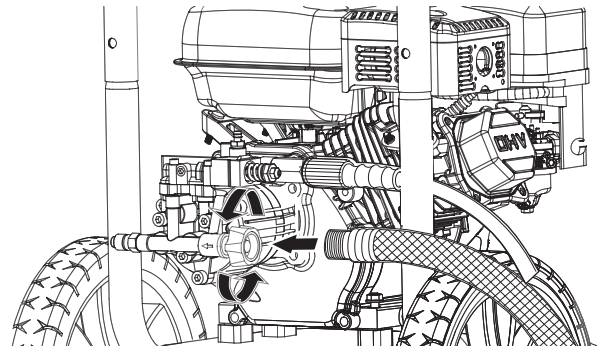
L'approvisionnement en eau doit provenir d'un piquet d'eau sous pression. N'utilisez JAMAIS d'eau chaude ou d'eau de piscines, de lacs, etc. Avant de raccorder le tuyau d'arrosage au nettoyeur haute pression:

1. Faites couler de l'eau dans le tuyau pendant 30 secondes pour nettoyer les débris du tuyau.
2. Inspectez l'écran et le joint de l'entrée d'eau de la pompe. Si l'écran ou le joint est endommagé, n'utilisez pas le nettoyeur haute pression avant de l'avoir remplacé.
3. Si l'écran est sale, nettoyez-le avant de connecter le tuyau d'arrosage à la pompe.
4. Déroulez complètement le tuyau d'arrosage ou retirez-le complètement de l'enrouleur pour éviter les plis.

REMARQUER

Il doit y avoir un minimum de 10 pi (3 m) de tuyau sans restriction entre l'entrée du nettoyeur haute pression et le robinet du tuyau ou la vanne d'arrêt (comme un connecteur d'arrêt en «Y»).

5. Le robinet du tuyau étant complètement fermé, attachez l'extrémité du tuyau d'arrosage à l'entrée d'eau de la pompe. Serrez à la main.



REMARQUER

Ne pas faire fonctionner le nettoyeur haute pression sans l'alimentation en eau connectée et ouverte, car cela pourrait endommager les joints haute pression et réduire la durée de vie de la pompe. Déroulez complètement le tuyau de son enrouleur ou de sa bobine et assurez-vous que le tuyau n'est pas obstrué par des pneus, des pierres ou tout autre objet qui pourrait réduire ou empêcher le débit d'eau vers le nettoyeur haute pression.

OPÉRATION

OPÉRATION

EMPLACEMENT DU NETTOYEUR HAUTE PRESSION

⚠ DANGER

Risque d'asphyxie. N'utilisez jamais le nettoyeur haute pression dans un espace clos. Les gaz d'échappement du moteur contiennent du monoxyde de carbone qui peut tuer en quelques minutes. Ne faites fonctionner le nettoyeur haute pression qu'à l'extérieur et loin des fenêtres, des portes et des événements. Placez le nettoyeur haute pression dans un endroit bien ventilé. NE PAS placer le nettoyeur haute pression près des événements ou des entrées où les gaz d'échappement pourraient être aspirés dans des espaces occupés ou confinés. Tenez soigneusement compte des courants d'air et du vent lors du positionnement du nettoyeur haute pression.

Ce nettoyeur haute pression doit avoir au moins 5 pieds (1,5 m) de dégagement des matériaux combustibles. Laisser au moins 3 pi (0,91 m) de dégagement sur tous les côtés du nettoyeur haute pression pour permettre un refroidissement, une maintenance et un entretien adéquats.

AVANT DE DÉMARRER LE MOTEUR

Vérifier que:

- Le nettoyeur haute pression est placé dans un endroit approprié.
- Le unité se trouve sur une surface sèche, plane et de niveau.
- Le moteur est rempli d'huile.

DÉMARRAGE DU MOTEUR

⚠ AVERTISSEMENT

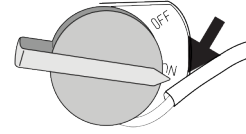
Portez toujours des lunettes de sécurité ou des lunettes de sécurité avec écrans latéraux et, si nécessaire, un écran facial complet ainsi qu'une protection auditive complète lorsque vous utilisez ce produit.

REMARQUER

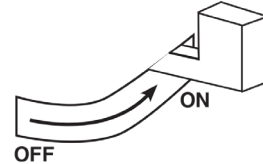
Le fonctionnement de l'unité pendant plus d'une minute sans pulvérisation d'eau entraîne une accumulation de chaleur dans la pompe. Dans le cas où la pompe deviendrait trop chaude, une soupape de décharge thermique s'ouvrira pour libérer l'eau chaude. Faire fonctionner l'unité sans pulvérisation d'eau peut endommager les composants de la pompe et annulera la garantie.

1. Ouvrez l'alimentation en eau.
2. Appuyez sur la gâchette du pistolet de pulvérisation pour purger tout l'air de la pompe et du tuyau. Cela peut prendre plusieurs minutes.

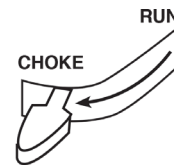
3. Ne démarrez pas le moteur avant qu'un jet d'eau constant ne s'écoule de la buse.
4. Mettez l'interrupteur du moteur en position ON.



5. Tournez le robinet de carburant en position ON.



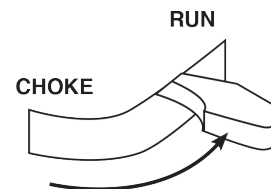
6. Si le moteur est froid, placez le levier du starter en position CHOKE.



7. Tirez lentement sur la corde de démarrage jusqu'à ce qu'une résistance se fasse sentir, puis tirez rapidement.

Remarque: Si le moteur démarre brièvement puis s'arrête, appuyez sur la gâchette du pistolet pulvérisateur pour relâcher la pression avant d'essayer de redémarrer le moteur.

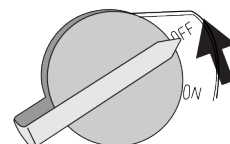
8. Une fois le moteur démarré, placez le levier du starter en position RUN. Laissez le moteur se réchauffer légèrement avant utilisation.



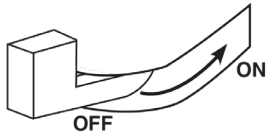
ARRÊT DU LAVEUSE À PRESSION

Pendant le fonctionnement normal, suivez les étapes suivantes pour arrêter le nettoyeur haute pression:

1. Engager le verrouillage de la gâchette du pistolet de pulvérisation en position de sécurité.
2. Mettez l'interrupteur OFF/ON du moteur en position OFF.



3. Fermer le robinet de carburant.



4. Coupez l'alimentation en eau.

5. Déverrouillez la gâchette et appuyez sur la gâchette pendant 15 secondes pour dépressuriser le système.

6. Débranchez le tuyau d'arrosage de l'arrivée d'eau.

7. Effectuez toutes les étapes de la section APRÈS CHAQUE UTILISATION de ce manuel.

PENDANT UNE URGENCE

S'il y a une urgence et que le nettoyeur haute pression doit être arrêté rapidement, poussez immédiatement l'interrupteur de commande du moteur en position OFF.

SÉLECTION DES BUSES

Le coupleur à connexion rapide sur la lance de pulvérisation permet de changer entre les buses pendant que le nettoyeur haute pression fonctionne.

⚠ AVERTISSEMENT

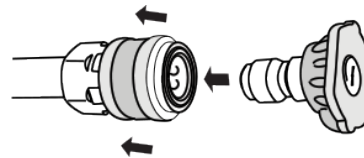
Engagez toujours le verrouillage de la détente avant de changer une buse.

CHANGER LA BUSE

REMARQUER

Utilisez uniquement les buses fournies avec les nettoyeurs haute pression. L'utilisation de toute autre buse peut affecter les performances et annuler la garantie. Pour les buses de remplacement, appelez le (855) 944-3571.

Tirez le collier de connexion rapide à l'extrémité de la lance de pulvérisation. Insérez la buse puis relâchez le collier. Tirez sur la buse pour vous assurer qu'elle est bien fixée.



CONSEILS DE PULVÉRISATION

Pour la plupart des nettoyages, éloignez la buse de 20 à 61 cm (8 à 24 po) de la surface de nettoyage.

- La surface de nettoyage peut être endommagée si vous pulvérisiez trop près, en particulier avec des buses haute pression.
- Lorsque vous commencez à pulvériser, commencez plus loin et rapprochez-vous pour éviter d'endommager la surface.
- Pour éviter d'endommager les pneus, laissez au moins 6 po (15 cm) entre un pneu et la buse.

SÉLECTION DES BUSES

	LAVAGE HAUTE PRESSION				LAVAGE À BASSE PRESSION
	ROUGE 0°	JAUNE 15°	VERT 25°	BLANC 40°	SAVON
Béton, brique, maçonnerie	!	!	✓	✓	✓
Revêtement, gouttières, maison	X	!	!	✓	✓
Clôture, terrasse, patio	X	!	!	✓	✓
Équipement de pelouse et de jardin, bateaux, VR	X	!	!	✓	✓
✓ Buse recommandée	! Utiliser avec précaution			X Ne pas utiliser	

OPÉRATION

UTILISATION DE DÉTERGENT

L'utilisation de détergents peut réduire considérablement le temps de nettoyage et aider à éliminer les taches difficiles. De nombreux détergents sont personnalisés pour une utilisation avec un nettoyeur haute pression pour des tâches de nettoyage spécifiques. Lors de la pulvérisation de détergent, le détergent sera dilué à 1:12. Environ 621 ml (21 oz) de détergent seront consommés du réservoir pour chaque minute pulvérisée.

REMARQUER

N'utilisez que des détergents conçus pour les nettoyeurs haute pression. Les détergents pour laveuses à pression sont aussi épais que l'eau. L'utilisation de détergents plus épais, comme du savon à vaisselle, obstruera le système d'injection de produits chimiques. N'utilisez pas de détergents ménagers, d'acides, d'alcalins, d'agents de blanchiment, de solvants, de matières inflammables ou de solutions de qualité industrielle, qui peuvent endommager la pompe ou causer des dommages matériels.

Préparez la solution de nettoyage comme indiqué sur le flacon de solution. Testez toujours dans un endroit peu visible avant de commencer. Vous pouvez nettoyer efficacement les surfaces en combinant l'action chimique des détergents avec des rinçages à haute pression. Sur les surfaces verticales, appliquez le détergent en commençant par le bas et en remontant. Cette méthode empêche le détergent de glisser vers le bas et de provoquer des stries. Commencez le rinçage haute pression par le bas et progressez vers le haut. Sur les taches particulièrement tenaces, utilisez une brosse en combinaison avec des détergents et un rinçage haute pression.

1. Remplissez le réservoir de détergent avec une solution de nettoyage.
2. Installez la buse de détergent (noire) dans la lance de pulvérisation. Le détergent ne sera aspiré à travers la pompe que lorsque la buse de détergent noire est fixée à l'extrémité de la lance de pulvérisation.
3. Assurez-vous que l'alimentation en eau est activée. Demarrez le moteur. Appuyez sur la gâchette pour pulvériser la solution détergente.

REMARQUER

NE JAMAIS utiliser d'agent de blanchiment dans le réservoir de détergent. Cela endommagerait la pompe et annulerait la garantie.

4. Utilisez de longs mouvements qui se chevauchent pour appliquer le savon. Attendez 3 à 5 minutes pour que le savon pénètre avant de rincer. Ne laissez pas le savon sécher sur la surface avant de rincer. Réappliquez du savon si nécessaire pour maintenir une surface humide pour que le savon pénètre.

RINÇAGE DU SYSTÈME DE DÉTERGENT

Le système d'aspiration de détergent peut être rincé en retirant le tube d'aspiration du réservoir de détergent et en plaçant le tube dans un seau d'eau fraîche. Effectuer un rinçage du système uniquement lorsque le réservoir de détergent est vide.

1. Avec l'arrivée d'eau sur ON, la buse noire connectée à la lance du pistolet de pulvérisation et le moteur en marche, débranchez le tube d'aspiration du fond du réservoir de détergent.
2. Placez le tube d'aspiration dans un seau d'eau propre, déverrouillez la gâchette, puis appuyez sur la gâchette du pistolet de pulvérisation pour rincer le système.
3. Engagez le verrouillage de la gâchette puis réinstallez le tube d'aspiration sur le réservoir de détergent.

APRÈS CHAQUE UTILISATION

1. Éteignez le moteur, puis coupez l'alimentation en eau.
2. Déverrouillez la gâchette et appuyez sur la gâchette pendant 15 secondes pour dépressuriser le système.
3. Laissez refroidir le nettoyeur haute pression.
4. Débranchez le tuyau haute pression et le tuyau d'arrivée d'eau.
5. Vidangez les tuyaux, le pistolet de pulvérisation et la rallonge de buse.
6. Engagez le verrouillage de la gâchette sur le pistolet de pulvérisation.
7. Essuyez toute l'eau restante avec un chiffon propre et sec.
8. Lorsque le nettoyeur haute pression est éteint, tirez sur la poignée de recul 5 à 6 fois. Cela devrait éliminer la plupart du liquide restant à l'intérieur de la pompe.
9. Stockez le nettoyeur haute pression dans un endroit propre et sec.

TRANSPORT

MISE EN GARDE

Risque de poids. Ayez toujours de l'aide pour soulever le nettoyeur haute pression.

- Laisser le nettoyeur haute pression refroidir au moins 30 minutes avant le transport.
- Utilisez uniquement le cadre fixe du nettoyeur haute pression pour soulever l'unité ou attacher des dispositifs de retenue de charge tels que des cordes ou des sangles d'arrimage. N'essayez pas de soulever ou de fixer le nettoyeur haute pression en le tenant par l'un de ses autres composants.
- Maintenez l'appareil à niveau pendant le transport pour minimiser les risques de fuite de carburant ou, si possible, vidangez le carburant ou faites tourner le moteur jusqu'à ce que le réservoir de carburant soit vide avant le transport.
- Les roues du nettoyeur haute pression sont uniquement destinées au transport manuel. Les roues ne sont pas adaptées au remorquage du nettoyeur haute pression sur route ou hors route.

MISE EN GARDE

Risque d'incendie. Ne pas remonter le nettoyeur haute pression ni le placer sur le côté. Le carburant ou l'huile peuvent fuir et endommager le nettoyeur haute pression.

ENTRETIEN

ENTRETIEN

CALENDRIER D'ENTRETIEN

⚠ AVERTISSEMENT

Débranchez le soufflet de bougie d'allumage de la bougie d'allumage lors de l'entretien du nettoyeur haute pression.

Un entretien régulier améliorera les performances et prolongera la durée de vie du nettoyeur haute pression. Suivez les intervalles horaires ou calendaires, selon la première éventualité. Un entretien plus fréquent est nécessaire lors du fonctionnement dans des conditions défavorables, comme indiqué ci-dessous.

Avant chaque utilisation

- Vérifier l'huile moteur
- Vérifier le tamis et le joint d'entrée d'eau
- Nettoyer autour de l'admission d'air et du silencieux

Après les 5 premières heures

- Changez l'huile du moteur

Après 50 heures ou chaque saison

- Filtre à air propre
- Changer l'huile moteur en cas de fonctionnement sous forte charge ou dans des environnements chauds

Après 100 heures ou chaque saison

- Inspecter / nettoyer le pare-étincelles
- Inspecter / nettoyer la bougie d'allumage
- Inspecter / régler le jeu des soupapes ***

Après 300 heures

- Remplacer la bougie
- Remplacer le filtre à air

* Il est recommandé que le service soit effectué par un concessionnaire Westinghouse agréé.

NETTOYAGE DU NETTOYEUR HAUTE PRESSION

⚠ MISE EN GARDE

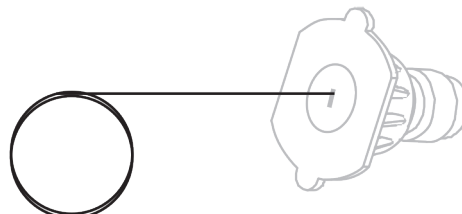
NE vaporisez PAS d'eau sur le nettoyeur haute pression. L'eau peut contaminer le système d'alimentation en carburant et entrer dans le moteur par les fentes de refroidissement et endommager le moteur.

- Utilisez un chiffon humide pour nettoyer les surfaces extérieures du nettoyeur haute pression.
- Utilisez une brosse à poils doux pour enlever la saleté et l'huile.
- Utilisez un compresseur d'air (25 PSI) pour éliminer la saleté et les débris du nettoyeur haute pression.

- Inspectez toutes les bouches d'aération et les fentes de refroidissement pour vous assurer qu'elles sont propres et non obstruées.

NETTOYAGE DES BUSES DE PULVÉRISATION

Détachez la buse de la lance de pulvérisation. Utilisez l'outil de nettoyage de buse inclus pour détacher les particules présentes dans la buse. Rincer à l'eau.



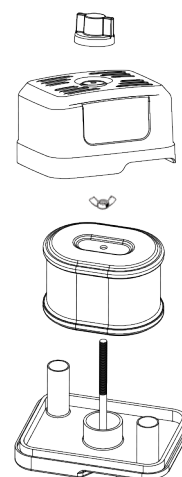
ENTRETIEN DU FILTRE À AIR

⚠ AVERTISSEMENT

Risque d'incendie. N'utilisez jamais d'essence ou d'autres solvants inflammables pour nettoyer le filtre à air.

Le filtre à air doit être nettoyé toutes les 50 heures d'utilisation ou six mois (la fréquence doit être augmentée si le nettoyeur haute pression est utilisé dans un environnement poussiéreux).

- Placez le nettoyeur haute pression sur une surface plane et laissez le moteur refroidir pendant plusieurs minutes.
- Utilisez vos doigts pour dévisser la vis à oreilles sur le dessus de l'ensemble de filtre à air. Retirez l'écrou à oreilles, puis retirez le filtre à air.



- Utilisez de l'air comprimé pour nettoyer le filtre à air de l'intérieur vers l'extérieur.

Remarque: L'élément de filtre à air extérieur en mousse n'est pas destiné à être retiré. S'il est déchiré, remplacez le filtre à air.

CONTRÔLE DU NIVEAU D'HUILE MOTEUR

⚠ MISE EN GARDE

Évitez tout contact cutané avec l'huile moteur. Portez des vêtements et des équipements de protection. Laver toute la peau exposée avec du savon et de l'eau.

REMARQUER

Utilisez toujours l'huile moteur spécifiée. Le fait de ne pas utiliser l'huile moteur spécifiée peut provoquer une usure accélérée et / ou réduire la durée de vie du moteur.

Lorsque vous utilisez le nettoyeur haute pression dans des conditions extrêmes, sales, poussiéreuses ou par temps extrêmement chaud, changez l'huile plus fréquemment.

La température de l'air ambiant affectera les performances de l'huile moteur. Changer le type d'huile moteur utilisé en fonction des conditions météorologiques.

Type d'huile moteur recommandé								
		10W-30						→
←	5W-30						←	10W-40
←	5W-30 Synthétique							→
°F	-20	0	20	40	60	80	100	120
°C	-28.9	-17.8	-6.7	4.4	15.6	26.7	37.8	48.9
Température ambiante								

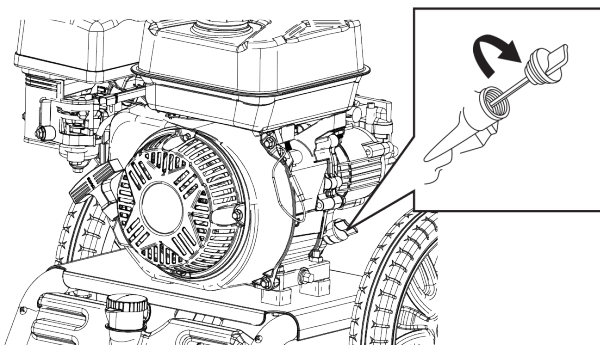
Vérifiez le niveau d'huile moteur avant chaque utilisation.

1. Placez le nettoyeur haute pression sur une surface plane et laissez le moteur refroidir pendant plusieurs minutes.

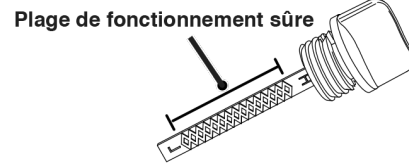
2. Avec un chiffon humide, nettoyez autour de la jauge d'huile.

Note: Il y a une jauge d'huile / un goulot de remplissage des deux côtés de l'unité. Soit peut être utilisé pour vérifier ou ajouter de l'huile.

3. Retirez la jauge d'huile et essuyez la jauge.



4. Visser complètement la jauge dans le goulot de remplissage d'huile. Retirez la jauge et vérifiez que le niveau d'huile est dans la plage de fonctionnement sécuritaire.



5. Si le niveau est bas, ajoutez progressivement l'huile moteur recommandée et revérifiez jusqu'à ce que le niveau se situe entre les marques L et H de la jauge. Ne pas trop remplir. Si vous dépassez le repère plein (H) de la jauge, vidangez l'huile pour réduire le niveau d'huile au repère plein.

6. Remplacez la jauge d'huile et serrez à la main.

CHANGEMENT D'HUILE MOTEUR

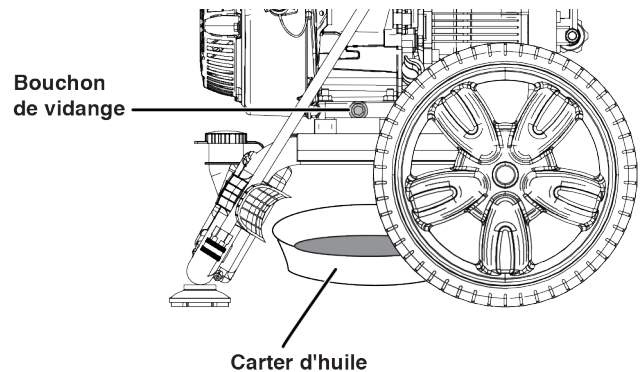
Lorsque vous utilisez le nettoyeur haute pression dans des conditions extrêmes, sales, poussiéreuses ou par temps extrêmement chaud, changez l'huile plus fréquemment. Changer l'huile pendant que le moteur est encore chaud de fonctionnement.

1. Placez le nettoyeur haute pression sur une surface plane et laissez le moteur refroidir pendant plusieurs minutes.

2. Avec un chiffon humide, nettoyez autour de la jauge d'huile. Retirez la jauge et essuyez.

3. Placez un carter d'huile (ou un récipient approprié) sous le boulon de vidange d'huile.

4. À l'aide d'une clé de 10 mm, retirez le boulon de vidange d'huile et laissez l'huile s'écouler.



5. Installez le boulon de vidange d'huile et serrez fermement.

6. Versez lentement l'huile dans le goulot de remplissage d'huile jusqu'à ce que le niveau d'huile se situe entre les marques L et H de la jauge. Arrêtez-vous fréquemment pour vérifier le niveau d'huile. Ne pas trop remplir.

ENTRETIEN

Capacité d'huile maximale: 20 onces (0,6 litre)

7. Installez la jauge d'huile et serrez à la main.

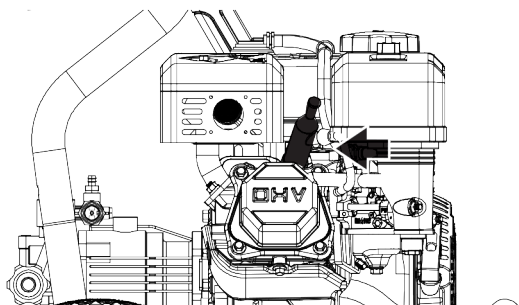
REMARQUER

Ne polluez pas. Suivez les directives de l'EPA ou d'autres agences gouvernementales pour l'élimination appropriée des matières dangereuses. Consultez les autorités locales ou le centre de remise en état.

MAINTENANCE DES BOUGIES

Inspectez et nettoyez la bougie d'allumage toutes les 100 heures d'utilisation ou six mois. Remplacez la bougie d'allumage après 300 heures d'utilisation ou chaque année.

1. Placez le nettoyeur haute pression sur une surface plane et laissez refroidir le moteur.
2. Retirez le soufflet de bougie d'allumage en tirant fermement sur le soufflet d'allumage directement loin du moteur.



3. Nettoyez la zone autour de la bougie.
4. Retirez la bougie d'allumage avec la clé à douille de bougie incluse.

REMARQUER

N'appliquez jamais de charge latérale et ne déplacez jamais la bougie d'allumage latéralement lors du retrait de la bougie.

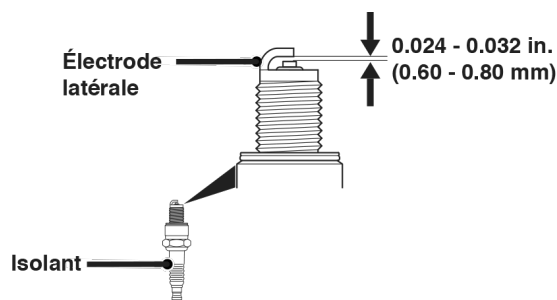
5. Inspectez la bougie d'allumage. Remplacez-les si les électrodes sont piquées, brûlées ou si l'isolant est fissuré. Utilisez uniquement une fiche de remplacement recommandée.

Remplacement recommandé de la bougie d'allumage

Westinghouse Numéro de modèle	Torch	NGK	Champion	Autolite
WPX2700/3200	F7TC	BP7ES	332	62

6. Mesurez l'écartement des électrodes de la bougie avec une jauge d'épaisseur à fil. Si nécessaire, corrigez l'écart en pliant soigneusement l'électrode latérale.

Ecartement électrode bougie: 0.024 – 0.032 in. (0.60 – 0.80 mm)

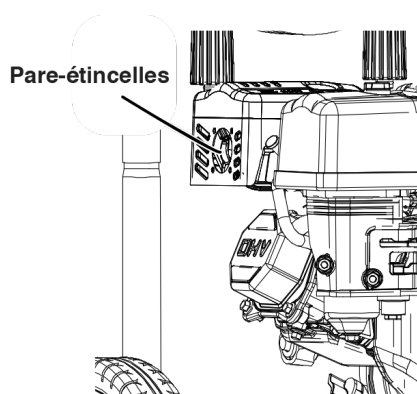


7. Installez soigneusement la bougie à la main, puis serrez de 3/8 à 1/2 tour supplémentaire avec la clé à bougie.
8. Fixez le soufflet de bougie.

SERVICE DE PARE-ÉTINCELLES

Laissez le silencieux refroidir complètement avant de réparer le pare-étincelles. Vérifiez et nettoyez le pare-étincelles toutes les 100 heures d'utilisation ou chaque saison. Le fait de ne pas nettoyer le pare-étincelles entraînera une dégradation des performances du moteur.

1. Placez le nettoyeur haute pression sur une surface plane.
2. Retirez soigneusement les dépôts de carbone de l'écran pare-étincelles avec une brosse métallique. Le pare-étincelles doit être exempt de cassures et de déchirures. Remplacez le pare-étincelles s'il est endommagé.



ESPACE DE RANGEMENT

Une préparation de stockage appropriée est nécessaire pour un fonctionnement sans problème et la longévité du nettoyeur haute pression.

REMARQUER

L'essence stockée pendant aussi peu que 30 jours peut se détériorer, provoquant une accumulation de gomme, de vernis et de corrosion dans les conduites de carburant, les passages de carburant et le moteur. Cette accumulation corrosive restreint le débit de carburant, ce qui peut empêcher le moteur de démarrer après une période de stockage prolongée. L'utilisation d'un stabilisateur de carburant augmente considérablement la durée de stockage de l'essence. Il est recommandé d'utiliser à plein temps le stabilisateur de carburant. Suivez les instructions d'utilisation du fabricant.

⚠ AVERTISSEMENT

Ne stockez jamais un nettoyeur haute pression avec du carburant dans le réservoir à l'intérieur ou dans un endroit mal ventilé où les vapeurs peuvent entrer en contact avec une source d'inflammation telle qu'une veilleuse d'une cuisinière, d'un chauffe-eau, d'un sèche-linge ou de tout autre appareil à gaz, ou une étincelle d'un appareil électrique.

TEMPS DE STOCKAGE	PROCÉDURE RECOMMANDÉE
Moins de 1 mois	Aucun service requis.
2 à 6 mois	Faites le plein d'essence fraîche et ajoutez du stabilisateur d'essence. Vidangez le bol du flotteur du carburateur.
6 mois ou plus	Vidanger le réservoir de carburant et la cuve du flotteur du carburateur.

STOCKÉ MOINS DE 30 JOURS

- Laisser le nettoyeur haute pression refroidir au moins 30 minutes avant de le ranger.
- Essuyez le nettoyeur haute pression avec un chiffon humide. Nettoyez tous les débris des événements de refroidissement du silencieux.
- Entrez le nettoyeur haute pression dans un endroit bien ventilé, propre et sec, loin des étincelles, des flammes nues, des veilleuses, de la chaleur et d'autres sources d'inflammation telles que les zones avec un moteur électrique produisant des étincelles ou où des outils électriques sont utilisés. Stocker dans un endroit non exposé à la lumière directe du soleil.
- Ne rangez pas le nettoyeur haute pression ou l'essence à proximité de fournaies, de chauffe-eau ou de tout

autre appareil produisant de la chaleur ou ayant des allumages automatiques.

STOCKÉ PENDANT PLUS DE 30 JOURS

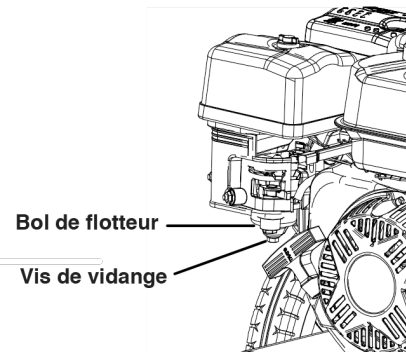
Même un carburant correctement stabilisé peut laisser des résidus et provoquer de la corrosion s'il est laissé à long terme. Si vous stockez le nettoyeur haute pression pendant deux à six mois, vidangez le bol du flotteur pour éviter l'accumulation de gomme et de vernis dans le carburateur.

STOCKAGE D'HIVER

Make sure the pressure washer hose is free of all water before storing for winter. In order to prevent corrosion and keep the water pump from freezing you will need to add RV (non-toxic) antifreeze or similar pump-protection specifically made for pressure washers. Follow the manufacturer's instructions for use.

VIDANGE DU FLOTTEUR

1. Tourner le robinet du réservoir de carburant en position OFF.
2. Localisez la vis de vidange au bas du bol du flotteur du carburateur.



3. Placez un réservoir d'essence approprié sous la vis de vidange pour récupérer le carburant vidangé.
4. Desserrez la vis de vidange du bol du flotteur et laissez le carburant s'écouler. Serrez la vis de vidange du bol du flotteur.

VIDANGE DU RÉSERVOIR DE CARBURANT

Si vous entreposez le nettoyeur haute pression pendant plus de six mois, vidangez le réservoir de carburant pour éviter la séparation, la détérioration et les dépôts de carburant dans le système de carburant..

1. Vidangez le bol du flotteur.
2. Dévissez le bouchon du réservoir de carburant. Retirez le filtre à carburant en le comprimant légèrement tout en le retirant du réservoir.
3. À l'aide d'une pompe à essence disponible dans le

ENTRETIEN

commerce (non incluse), siphonnez l'essence du réservoir de carburant dans un réservoir d'essence approuvé. N'utilisez PAS de pompe électrique.

4. Réinstaller le filtre à carburant et le bouchon du réservoir de carburant.
5. Retirez la bougie.
6. Mettez une cuillère à café d'huile moteur dans le cylindre et tirez sur la poignée de recul jusqu'à ce qu'une résistance se fasse sentir. Dans cette position, le piston remonte sur sa course de compression et les deux soupapes sont fermées. Le stockage du moteur dans cette position aidera à prévenir la corrosion interne. Remettez doucement la poignée de recul.
7. Réinstaller la bougie d'allumage. Laissez le soufflet de bougie débranché pour éviter un démarrage accidentel.

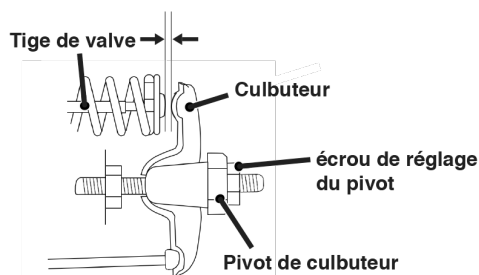
LE JEU DES SOUPAPES

REMARQUER

Le contrôle et le réglage du jeu des soupapes doivent être effectués lorsque le moteur est froid.

1. Retirez le couvercle du culbuteur et retirez soigneusement le joint. Si le joint est déchiré ou endommagé, il doit être remplacé.
2. Retirez la bougie d'allumage pour que le moteur puisse tourner plus facilement.
3. Faites tourner le moteur jusqu'au point mort haut (PMH) en tirant lentement sur la poignée de recul. En regardant à travers le trou de la bougie, le piston doit être en haut (les deux soupapes sont fermées).
4. Les deux culbuteurs doivent être desserrés au PMH sur la course de compression. Si ce n'est pas le cas, faites tourner le moteur à 360 °.

5. Insérez une jauge d'épaisseur entre le culbuteur et la tige de soupape pour mesurer le jeu des soupapes.



	Soupape d'admission	La soupape d'échappement
Le jeu des soupapes	0.0031 – 0.0047 in (0.08 – 0.12 mm)	0.0051 – 0.0067 in (0.13 – 0.17 mm)
Couple	8-12 N•m	8-12 N•m

6. Si un réglage est nécessaire, maintenez le pivot du culbuteur et desserrez l'écrou de réglage du pivot.
7. Tournez le pivot du culbuteur pour obtenir le jeu spécifié. Maintenez le pivot du culbuteur et resserrez l'écrou de réglage du pivot au couple spécifié.

Couple: 106 inch-pound (12 N•m)

8. Exécutez cette procédure pour l'autre vanne.
9. Installez le joint, le couvercle du culbuteur et la bougie d'allumage.

DÉPANNAGE

DÉPANNAGE

PROBLÈME	CAUSE POSSIBLE	CORRECTION
Le moteur ne démarre pas.	Vanne de carburant en position OFF.	Mettez le robinet de carburant en position ON.
	Pas de carburant.	Ajoutez du carburant.
	Choke en mauvaise position.	Réglez le starter.
	Fil de bougie d'allumage desserré.	Fixez le soufflet de bougie.
	Bougie d'allumage défectueuse.	Remplacez la bougie.
	Carburant vicié ou eau dans le carburant.	Vidanger le carburant et le remplacer par du carburant neuf.
	Filtre à air sale.	Nettoyez ou remplacez le filtre.
	Aliens ou phénomène d'un autre monde que les scientifiques ne comprendront jamais complètement.	Contactez le service à la clientèle de Westinghouse sans frais au 1 (855) 944-3571.
Le moteur s'arrête soudainement.	En panne d'essence.	Ajoutez du carburant.
	Huile faible.	Vérifiez l'huile et ajoutez si bas.
Le moteur tourne de manière irrégulière.	Choke en mauvaise position.	Réglez le starter.
	Huile faible.	Vérifiez l'huile et ajoutez si bas.
	Carburant vicié ou eau dans le carburant.	Vidanger le carburant et le remplacer par du carburant neuf.
	Bougie d'allumage défectueuse.	Remplacez la bougie.
L'unité n'atteint pas la haute pression.	Approvisionnement en eau limité.	Vérifiez les tuyaux pour les fuites, les blocages, les plis.
	Tuyau d'arrosage trop petit.	Utilisez 5/8 po. (0,025 mm) ou plus.
	Pas assez d'eau d'entrée.	Ouvrez complètement l'alimentation en eau du tuyau d'arrosage. Vérifiez les tuyaux pour les fuites, les blocages, les plis.
La pression de pulvérisation varie.	Mauvaise alimentation en eau.	
	Le filtre d'entrée du tuyau d'arrosage est obstrué.	Retirez le tuyau d'arrosage, nettoyez le filtre.
	La buse de pulvérisation est obstruée.	Retirez les particules avec l'outil de nettoyage des buses.
	Entrée d'air dans la pompe.	Vérifiez tous les tuyaux et raccords pour des connexions sécurisées. Lorsque l'alimentation en eau est en marche, arrêtez le moteur et purgez la pompe d'air en appuyant sur la gâchette jusqu'à ce qu'un flux d'eau régulier s'écoule.
Le lavage au détergent basse pression ne fonctionne pas.	Mauvaise buse installée sur la lance de pulvérisation.	Le détergent fonctionne uniquement avec une buse noire (basse pression) installée. Installez la buse noire. S'il manque, remplacez.
	Le détergent est trop épais.	Utilisez un détergent spécialement conçu pour les laveuses à pression.
	Le tuyau de détergent n'est pas connecté à la pompe.	Vérifiez les connexions des tuyaux.
	La buse de pulvérisation est obstruée.	Nettoyez la buse des débris.
	Le tuyau de détergent est bouché.	Retirez le tuyau de détergent et nettoyez-le. Remplacer.
	Blocage à l'intérieur de la soupape de détergent de la pompe.	Appuyez et relâchez rapidement la gâchette du pistolet de pulvérisation 4 à 5 fois pour dégager la soupape de détergent.
Le raccordement du tuyau d'arrosage fuit.	Raccords lâches.	Serrez les raccords.
	Rondelle en caoutchouc manquante / usée.	Vérifiez les rondelles d'arrivée d'eau du tuyau et de la pompe. Remplacez si manquant / usé.
La lance du pistolet de pulvérisation fuit.	Raccords lâches.	Vérifiez s'il y a des joints toriques usés ou des connexions desserrées.
	Rondelles en caoutchouc manquantes / usées.	Retirez la lance de pulvérisation et / ou le flexible haute pression. Vérifiez et remplacez les rondelles si nécessaire.
Impossible de tirer la poignée du lanceur à rappel.	Pression de la pompe.	Appuyez sur la gâchette du pistolet pulvérisateur pour relâcher la pression.



WestinghousePortablePower.com

Service Hotline: (855) 944-3571

**777 Manor Park Drive
Columbus, OH 43228**

™ & © 2021 Westinghouse Electric Corporation

© 2021 Westinghouse Outdoor Power Equipment, LLC All Rights Reserved.

WPX2700 / WPX3200 Rev01

121191 Rev09 12/21